

1 13/16" (46 mm) Ten Turn Wirewound Upper Grade Precision Potentiometer



FEATURES

- Large range of ohmic values: 20 Ω to 200 kΩ
- Bushing mount, servo mount and screw mount versions
- Gangable up to 3 sections
- Extra taps available upon request

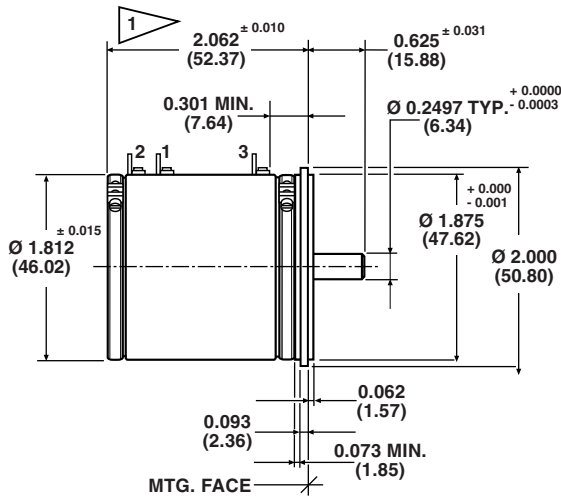
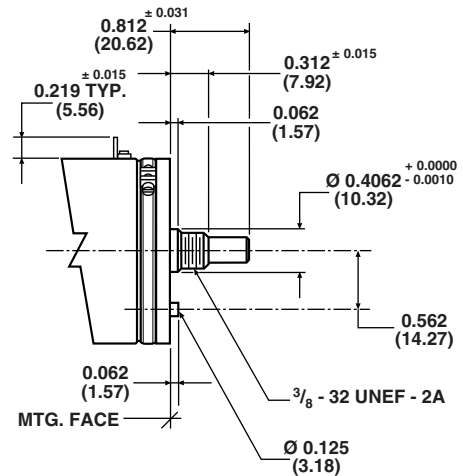
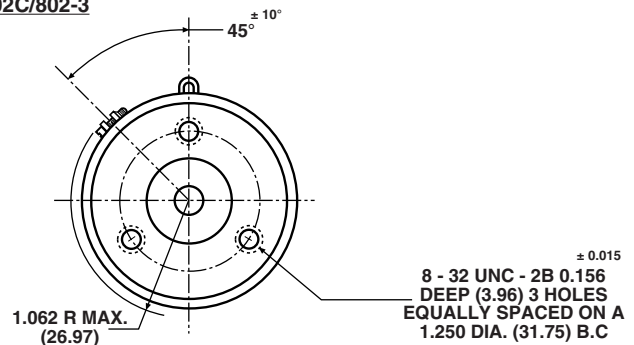
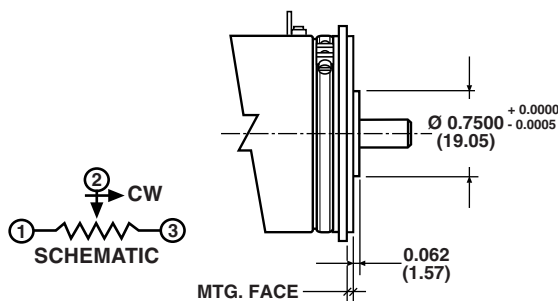
QUICK REFERENCE DATA	
Sensor type	ROTATIONAL, multi turn wirewound
Output type	Output by turrets
Market appliance	Professional
Dimensions	1 13/16" (46 mm)

ELECTRICAL SPECIFICATIONS		
PARAMETER	STANDARD	SPECIAL
Total resistance Tolerance: 200 Ω and above Below 200 Ω	20 Ω to 200 kΩ ± 3 % ± 5 %	500 kΩ ± 1 % ± 3 %
Linearity (independent) 20 Ω to 50 Ω 50 Ω to 200 Ω 200 Ω and above	STANDARD ± 0.25 % ± 0.25 % ± 0.25 %	SPECIAL ± 0.15 % ± 0.10 % ± 0.05 %
Noise	100 Ω ENR	
Electrical rotation	3600° + 4° - 0°	
Power rating Section 1 Each additional sections:	5.00 Ω 70 °C ambient, derated to zero at 125 °C 75 % of the rating of section 1 (3.8 W at 70 °C)	
Insulation resistance	1000 MΩ minimum, 500 V _{DC}	
Dielectric strength	1000 V _{RMS} , 60 Hz	
Absolute minimum resistance	Linearity x total resistance or 0.5 Ω, whichever is greater	
End voltage	Linearity x total applied voltage for total resistance above 20 Ω, 2.0 % of total applied voltage for 20 and below	
Phasing (CCW end points)	Additional sections phased to section 1 within ± 1°	
Taps (extra)	Available as special, standard tolerance ± 1°	

ORDERING INFORMATION/DESCRIPTION				
Model 802 can be ordered from this datasheet with a variety of alternate characteristics, as shown above. For most rapid service on your order, please state:				
802 MODEL	S MOUNTING B: Bushing S: Servo C: Screw	1 NUMBER OF SECTIONS From 1 up to 3 max.	10K RESISTANCE OF EACH SECTION Beginning with the section nearest the mounting end	B01 PACKAGING Box of 1 piece

SAP PART NUMBERING GUIDELINES				
802 MODEL	S STYLE	1 NUMBER OF SECTIONS	103 OHMIC VALUE OF SECTION N° 1	B01 PACKAGING

DIMENSIONS in inches (millimeters)

SERVO MOUNT: 802S/802-2

BUSHING MOUNT: 802B/802-1

SCREW MOUNT: 802C/802-3


TOLERANCES: UNLESS OTHERWISE NOTED.
DECIMALS ± 0.005 ANGLES $\pm 2^\circ$

1 ADD 1.770 ± 0.010 (44.96) FOR EACH ADDITIONAL SECTION

MECHANICAL SPECIFICATIONS

PARAMETER			
Rotation	3600° + 10° - 0°		
Bearing type	SERVO Ball bearing	BUSHING Sleeve	SCREW Ball bearing
Torque (maximums)	MAX. STARTING		MAX. RUNNING
Servo or screw section 1	1.20 oz. - in (86.4 g - cm)		0.80 oz. - in (57.6 g - cm)
Bushing section 1	1.75 oz. - in (126.0 g - cm)		1.25 oz. - in (90.0 g - cm)
Each additional section	0.80 oz. - in (57.6 g - cm)		0.60 oz. - in (43.2 g - cm)
Mechanical runouts (maximums):	SERVO OR SCROLL		BUSHING
Shaft (TIR/in)	0.002" (0.05 cm)		0.002" (0.05 cm)
Pilot dia. runout (TIR)	0.002" (0.05 cm)		0.002" (0.05 cm)
Lateral runout (TIR)	0.003" (0.08 cm)		0.005" (0.13 cm)
Shaft end play	0.005" (0.13 cm)		0.005" (0.13 cm)
Shaft radial play	0.002" (0.05 cm)		0.003" (0.08 cm)
Weight:			
Single section	5.5 oz. (156 g)		
Each additional section	3.7 oz. (105 g)		
Stop strength	1000 oz. - in, static (72 kg - cm)		
Ganging	3 sections maximum terminal alignment, added sections within $\pm 10^\circ$ of section 1 terminals		
Moment of inertia	15 g - cm ² per section maximum		

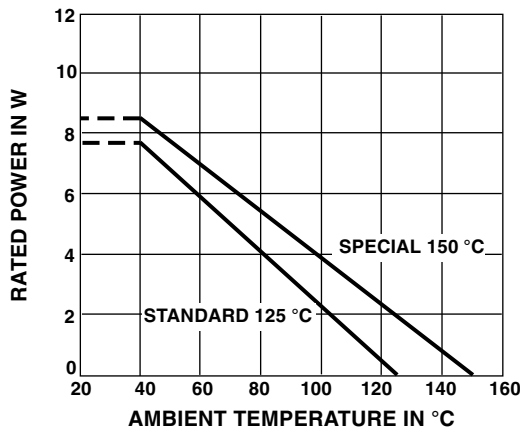


MATERIAL SPECIFICATIONS	
Housing	Glass filled thermoset plastic
Lids	Aluminum, anodized
Shaft	Stainless steel, non-magnetic, non-passivated
Terminals	Brass, plated for solderability
Clamp ring	Stainless steel
Bushing mount hardware Lockwasher: Panel nut:	Internal tooth steel, nickel plated Brass, nickel plated

MARKING	
Unit identification	Units shall be marked with Spectrol name and model no, resistance and resistance tolerance, linearity, terminal identification, and date code. Example of a marking for a standard part: 802-31502

POWER RATING CHART

(Ratings for cup N° 1. Additional cups 75 % of values shown)



ENVIRONMENTAL SPECIFICATIONS	
Vibration	15 g thru 2000 CPS
Shock	50 g
Salt spray	96 h
Rotational life	2 million shaft revolutions
Load life	900 h
Operating temperature range	- 55 °C to + 125 °C

RESISTANCE ELEMENT DATA					
STANDARD RESISTANCE VALUES (Ω)	RESOLUTION (%)	OHMS PER TURN	MAXIMUM CURRENT AT 70 °C AMBIENT (mA)	MAXIMUM VOLTAGE ACROSS COIL (V)	WIRE TEMP. COEF. (ppm/°C)
20	0.044	0.009	500	10.0	800
50	0.027	0.014	316	15.8	800
100	0.024	0.024	224	22.4	800
200	0.028	0.056	158	31.6	180
500	0.023	0.115	100	50.0	20
1K	0.018	0.182	70.7	70.7	20
2K	0.020	0.402	50.0	100	20
5K	0.015	0.754	31.6	158	20
10K	0.013	1.229	22.4	224	20
20K	0.010	1.970	15.8	316	20
50K	0.007	3.686	10.0	500	20
100K	0.007	6.507	7.07	707	20
200K	0.005	6.929	5.00	1000	20
500K	0.004	19.987	2.00	1000	20



Disclaimer

ALL PRODUCT, PRODUCT SPECIFICATIONS AND DATA ARE SUBJECT TO CHANGE WITHOUT NOTICE TO IMPROVE RELIABILITY, FUNCTION OR DESIGN OR OTHERWISE.

Vishay Intertechnology, Inc., its affiliates, agents, and employees, and all persons acting on its or their behalf (collectively, "Vishay"), disclaim any and all liability for any errors, inaccuracies or incompleteness contained in any datasheet or in any other disclosure relating to any product.

Vishay makes no warranty, representation or guarantee regarding the suitability of the products for any particular purpose or the continuing production of any product. To the maximum extent permitted by applicable law, Vishay disclaims (i) any and all liability arising out of the application or use of any product, (ii) any and all liability, including without limitation special, consequential or incidental damages, and (iii) any and all implied warranties, including warranties of fitness for particular purpose, non-infringement and merchantability.

Statements regarding the suitability of products for certain types of applications are based on Vishay's knowledge of typical requirements that are often placed on Vishay products in generic applications. Such statements are not binding statements about the suitability of products for a particular application. It is the customer's responsibility to validate that a particular product with the properties described in the product specification is suitable for use in a particular application. Parameters provided in datasheets and/or specifications may vary in different applications and performance may vary over time. All operating parameters, including typical parameters, must be validated for each customer application by the customer's technical experts. Product specifications do not expand or otherwise modify Vishay's terms and conditions of purchase, including but not limited to the warranty expressed therein.

Except as expressly indicated in writing, Vishay products are not designed for use in medical, life-saving, or life-sustaining applications or for any other application in which the failure of the Vishay product could result in personal injury or death. Customers using or selling Vishay products not expressly indicated for use in such applications do so at their own risk. Please contact authorized Vishay personnel to obtain written terms and conditions regarding products designed for such applications.

No license, express or implied, by estoppel or otherwise, to any intellectual property rights is granted by this document or by any conduct of Vishay. Product names and markings noted herein may be trademarks of their respective owners.

Material Category Policy

Vishay Intertechnology, Inc. hereby certifies that all its products that are identified as RoHS-Compliant fulfill the definitions and restrictions defined under Directive 2011/65/EU of The European Parliament and of the Council of June 8, 2011 on the restriction of the use of certain hazardous substances in electrical and electronic equipment (EEE) - recast, unless otherwise specified as non-compliant.

Please note that some Vishay documentation may still make reference to RoHS Directive 2002/95/EC. We confirm that all the products identified as being compliant to Directive 2002/95/EC conform to Directive 2011/65/EU.

Vishay Intertechnology, Inc. hereby certifies that all its products that are identified as Halogen-Free follow Halogen-Free requirements as per JEDEC JS709A standards. Please note that some Vishay documentation may still make reference to the IEC 61249-2-21 definition. We confirm that all the products identified as being compliant to IEC 61249-2-21 conform to JEDEC JS709A standards.

Данный компонент на территории Российской Федерации

Вы можете приобрести в компании MosChip.

Для оперативного оформления запроса Вам необходимо перейти по данной ссылке:

<http://moschip.ru/get-element>

Вы можете разместить у нас заказ для любого Вашего проекта, будь то серийное производство или разработка единичного прибора.

В нашем ассортименте представлены ведущие мировые производители активных и пассивных электронных компонентов.

Нашей специализацией является поставка электронной компонентной базы двойного назначения, продукции таких производителей как XILINX, Intel (ex.ALTERA), Vicor, Microchip, Texas Instruments, Analog Devices, Mini-Circuits, Amphenol, Glenair.

Сотрудничество с глобальными дистрибьюторами электронных компонентов, предоставляет возможность заказывать и получать с международных складов практически любой перечень компонентов в оптимальные для Вас сроки.

На всех этапах разработки и производства наши партнеры могут получить квалифицированную поддержку опытных инженеров.

Система менеджмента качества компании отвечает требованиям в соответствии с ГОСТ Р ИСО 9001, ГОСТ РВ 0015-002 и ЭС РД 009

Офис по работе с юридическими лицами:

105318, г.Москва, ул.Щербаковская д.3, офис 1107, 1118, ДЦ «Щербаковский»

Телефон: +7 495 668-12-70 (многоканальный)

Факс: +7 495 668-12-70 (доб.304)

E-mail: info@moschip.ru

Skype отдела продаж:

moschip.ru

moschip.ru_4

moschip.ru_6

moschip.ru_9