

ASSR-1510, ASSR-1511, ASSR-1520, ASSR-1530

High Current, Solid State Relay (Photo MOSFET)

(60V/1.0A/0.5Ω)



Data Sheet



Description

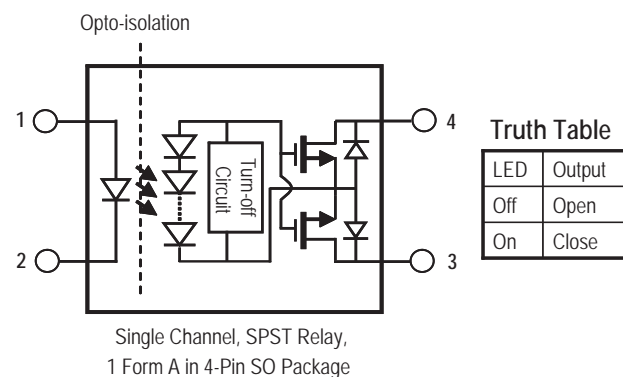
The ASSR-15XX Series is specifically designed for high current applications, commonly found in the industrial applications.

The ASSR-15XX Series consists of an AlGaAs infrared light-emitting diode (LED) input stage optically coupled to a high-voltage output detector circuit. The detector consists of a high-speed photovoltaic diode array and driver circuitry to switch on/off two discrete high voltage MOSFETs. The relay turns on (contact closes) with a minimum input current of 3mA through the input LED. The relay turns off (contact opens) with an input voltage of 0.8V or less.

The single channel configurations, ASSR-1510 and ASSR-1511, are equivalent to 1 Form A Electromechanical Relays (EMR), and the dual channel configuration, ASSR-1520 and ASSR-1530, is equivalent to 2 Form A EMR. They are available in 4-pin SO, 6-pin DIP, 8-pin DIP and Gull Wing Surface Mount for DIP packages and true surface mount SO-8pin. Their electrical and switching characteristics are specified over the temperature range of -40°C to +85°C.

ASSR-1511 enables AC/DC and DC-only output connections. For DC-only connection, the output current, I_o, increases to 2A and the on-resistance, R(ON) reduces to 0.2Ω.

Functional Diagram



Features

- Compact Solid-State Bi-directional Signal Switch
- Single and Dual Channel Normally-off Single-Pole-Single-Throw (SPST) Relay
- 60V Output Withstand Voltage
- 1.0A or 2.0A Current Rating (See Schematic for ASSR-1511 Connections A & B)
- Low Input Current: CMOS Compatibility
- Low On-Resistance: 0.12Ω Typical for DC-only, 0.35Ω Typical for AC/DC
- Very High Output Off-state Impedance: 10 Teraohms Typical
- High Speed Switching: 0.25ms (Ton), 0.02ms (Toff) Typical
- High Transient Immunity: >1kV/μs
- High Input-to-Output Insulation Voltage (Safety and Regulatory Approvals)
 - 3750 Vrms for 1 min per UL1577
 - CSA Component Acceptance

Applications

- Industrial Controls
- Factory Automation
- Data Acquisition System
- Measuring Instrument
- Medical System
- Security System
- EMR / Reed Relay Replacement

CAUTION: It is advised that normal static precautions be taken in handling and assembly of this component to prevent damage and/or degradation which may be induced by ESD.

Ordering Information

ASSR-xxxx is UL Recognized with 3750 Vrms for 1 minute per UL1577 and is approved under CSA Component Acceptance Notice #5.

Part number	Option		Surface Mount	Gull Wing	Tape & Reel	Quantity
	RoHS Compliant	Package				
ASSR-1510	-003E	SO-4	X			100 units per tube
	-503E		X		X	1500 units per reel
ASSR-1511	-001E	300mil DIP-6				50 units per tube
	-301E		X	X		50 units per tube
	-501E		X	X	X	1000 units per reel
ASSR-1520	-002E	300 mil DIP-8				50 units per tube
	-302E		X	X		50 units per tube
	-502E		X	X	X	1000 units per reel
ASSR-1530	-005E	SO-8	X			50 units per tube
	-505E		X		X	1000 units per reel

To order see attached table, choose a part number from the part number column and combine with the desired option from the option column to form an order entry.

Example 1:

ASSR-1511-501E to order product of 300mil DIP-6 Gull Wing Surface Mount package in Tape and Reel packaging and RoHS Compliant.

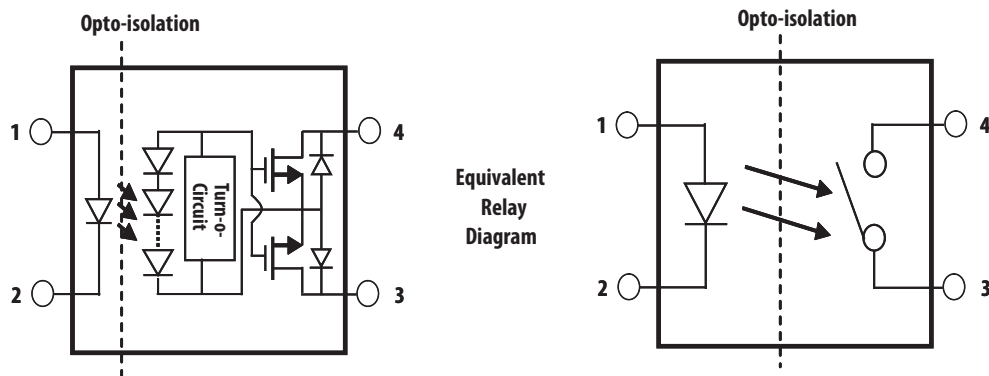
Example 2:

ASSR-1520-002E to order product of 300mil DIP-8 package in tube packaging and RoHS Compliant.

Option datasheets are available. Contact your Avago sales representative or authorized distributor for information.

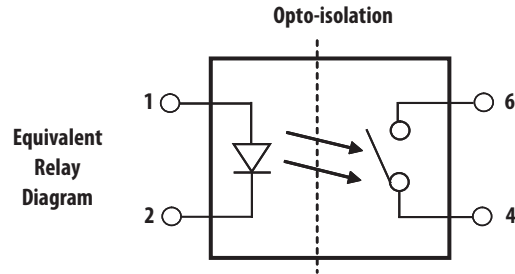
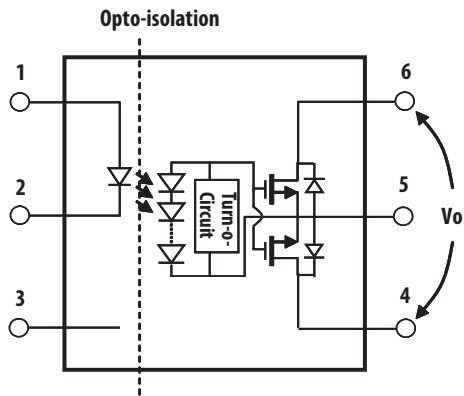
Schematic

ASSR-1510

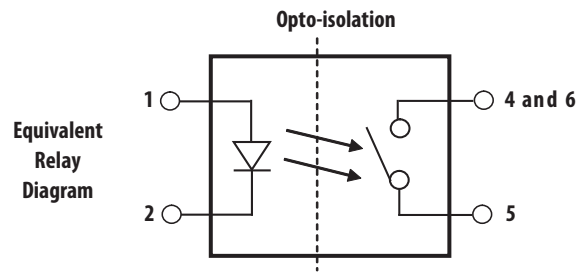
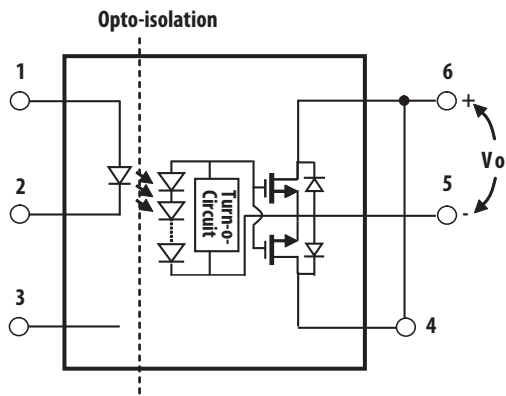


Schematics (Cont.)

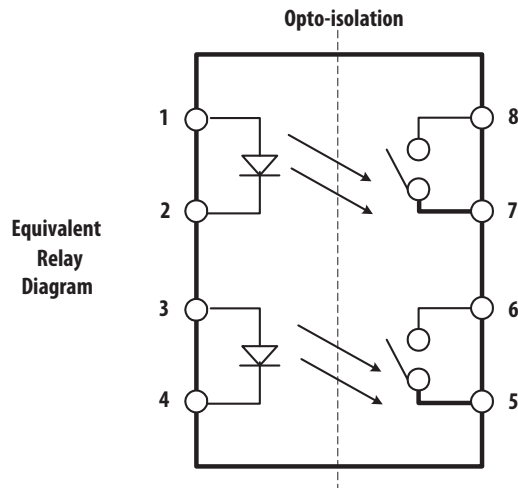
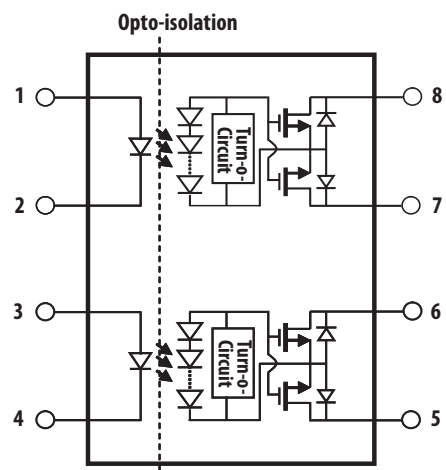
ASSR-1511 Connection A



ASSR-1511 Connection B

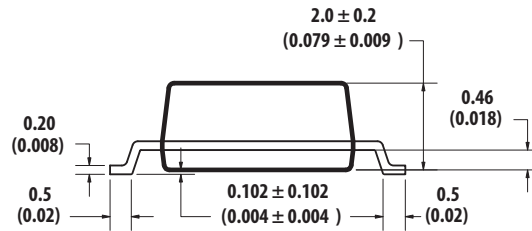
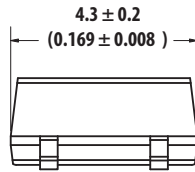
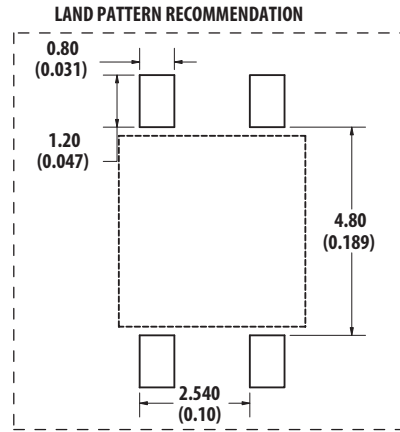
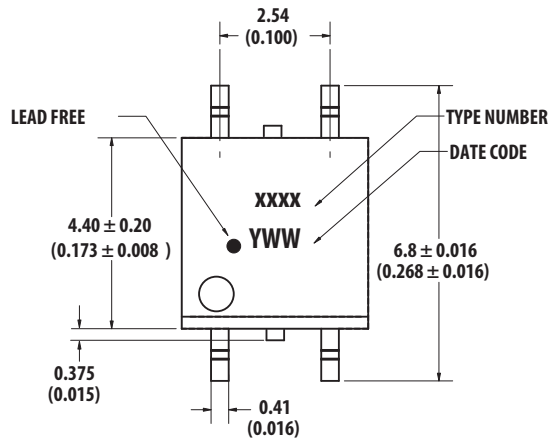


ASSR-1520 and ASSR-1530



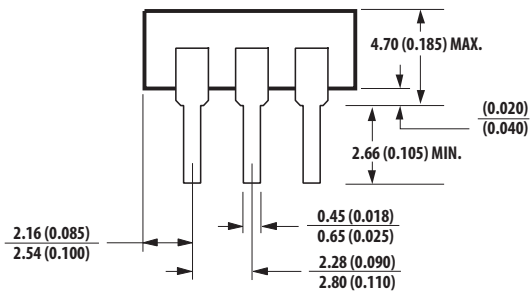
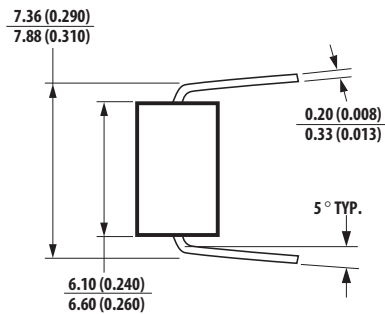
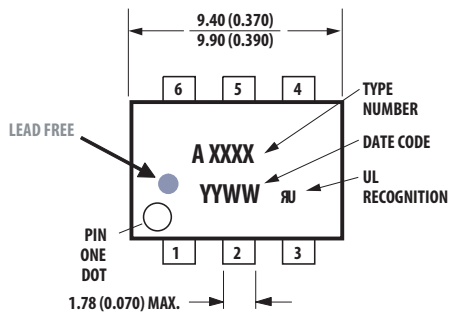
Package Outline Drawings

ASSR-1510 4-Pin Small Outline Package



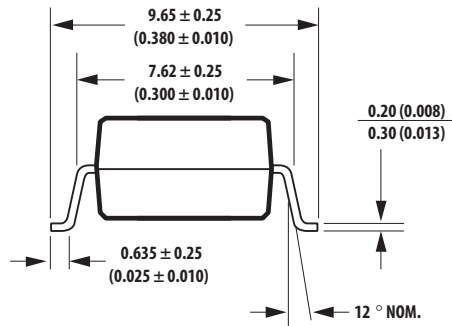
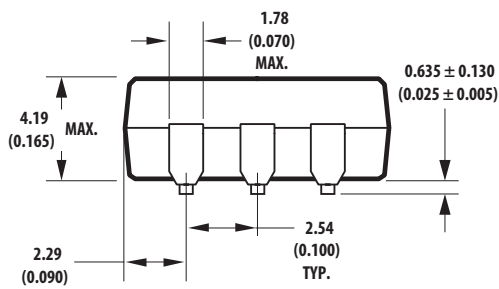
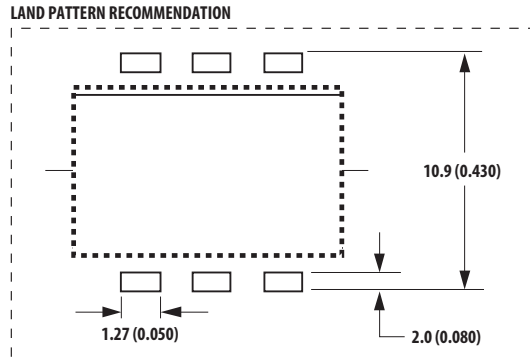
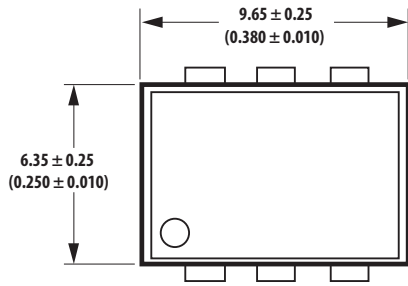
DIMENSIONS IN MILLIMETERS AND (INCHES)
OPTION NUMBER 500 AND UL RECOGNITION NOT MARKED

ASSR-1511 6-Pin DIP Package



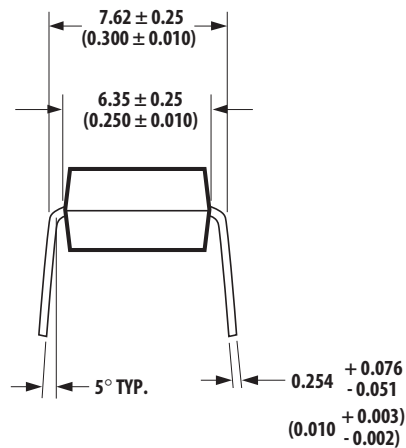
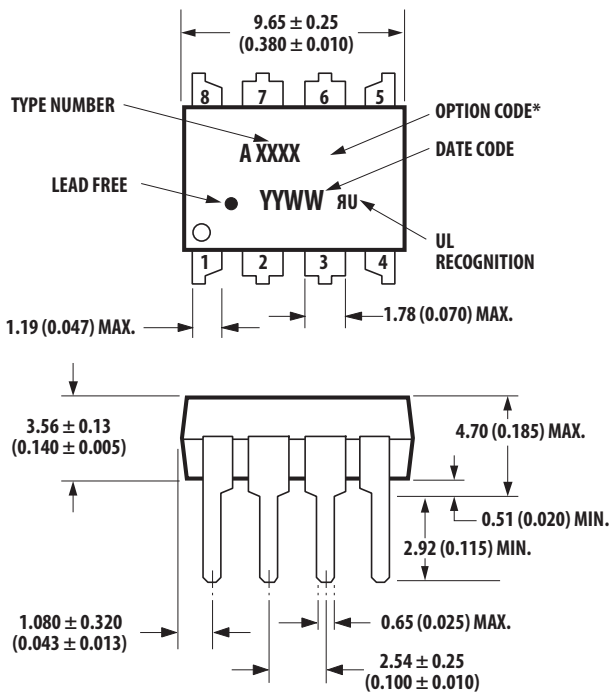
DIMENSIONS IN MILLIMETERS AND (INCHES).

ASSR-1511 6-Pin DIP Package with Gull Wing Surface Mount Option 300



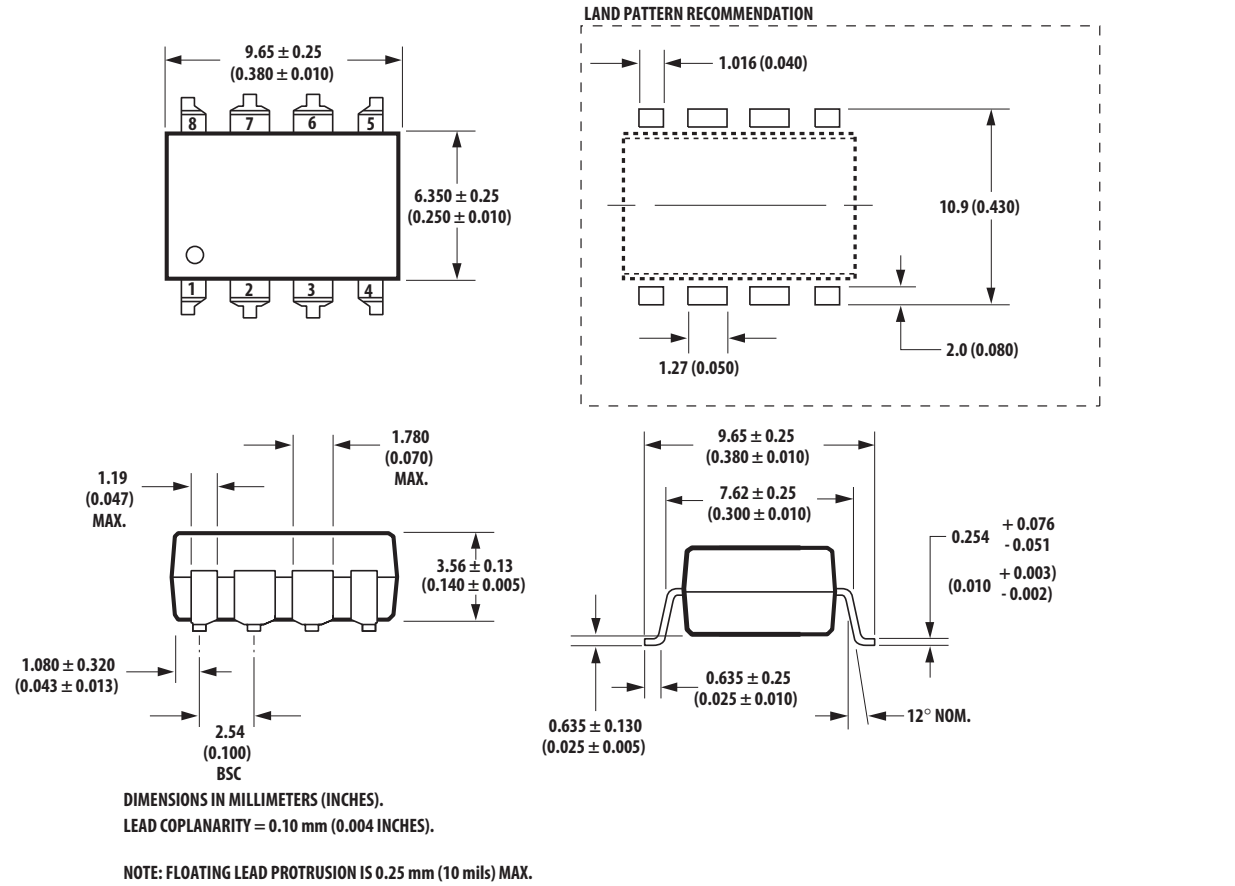
NOTE: FLOATING LEAD PROTRUSION IS 0.25 mm (10 mils) MAX.

ASSR-1520 8-Pin DIP Package

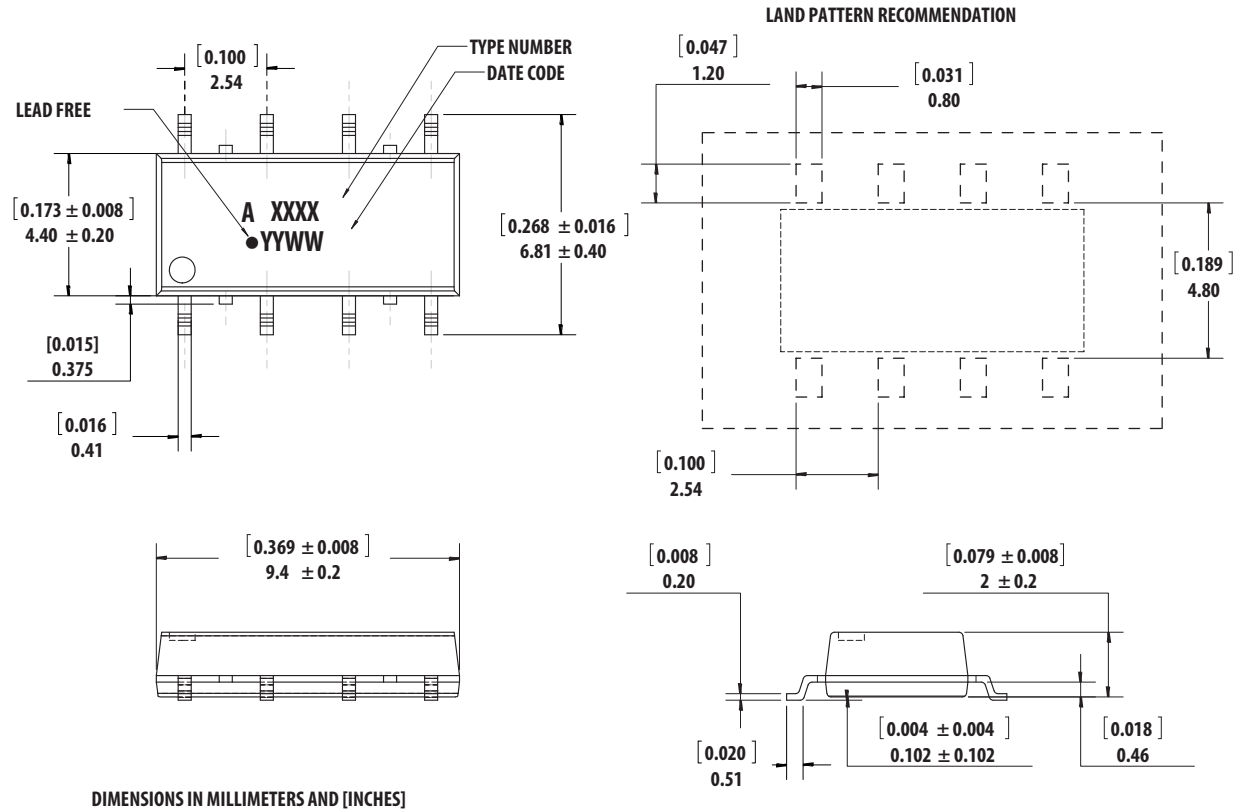


DIMENSIONS IN MILLIMETERS AND (INCHES).
OPTION NUMBERS 300 AND 500 NOT MARKED.

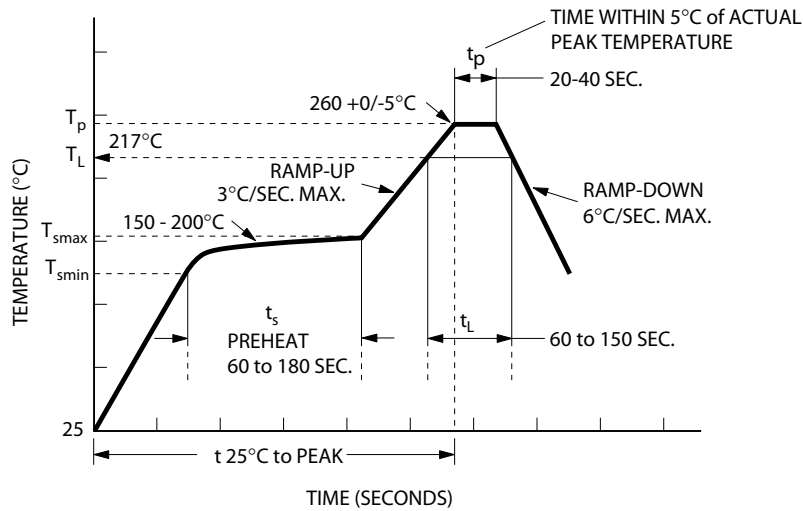
ASSR-1520 8-Pin DIP Package with Gull Wing Surface Mount Option 300



ASSR-1530 8-Pin Surface Mount Package



Lead Free IR Profile



NOTES:

THE TIME FROM 25°C to PEAK TEMPERATURE = 8 MINUTES MAX.

$T_{smax} = 200°C$, $T_{smin} = 150°C$

Use of non-chlorine-activated fluxes is highly recommended.

Regulatory Information

The ASSR-1510, ASSR-1511, ASSR-1520 and ASSR-1530 are approved by the following organizations:

UL

Approved under UL 1577, component recognition program up to $V_{ISO} = 3750 V_{RMS}$

CSA

Approved under CSA Component Acceptance Notice #5.

Insulation and Safety Related Specifications

Parameter	Symbol	ASSR-1511			Units	Conditions
		ASSR-1510	ASSR-1520	ASSR-1530		
Minimum External Air Gap (Clearance)	L(101)	4.9	7.1	4.9	mm	Measured from input terminals to output terminals, shortest distance through air.
Minimum External Tracking (Creepage)	L(102)	4.9	7.4	4.8	mm	Measured from input terminals to output terminals, shortest distance path along body.
Minimum Internal Plastic Gap (Internal Clearance)		0.08	0.08	0.08	mm	Through insulation distance conductor to conductor, usually the straight line distance thickness between the emitter and detector.
Tracking Resistance (Comparative Tracking Index)	CTI	175	175	175	V	DIN IEC 112/VDE 0303 Part 1
Isolation Group (DIN VDE0109)		IIIa	IIIa	IIIa		Material Group (DIN VDE 0109)

Absolute Maximum Ratings

Parameter	Symbol	Min.	Max.	Units	Note	
Storage Temperature	T _S	-55	125	°C		
Operating Temperature	T _A	-40	85	°C		
Junction Temperature	T _J		125	°C		
Lead Soldering Cycle	Temperature		260	°C		
	Time		10	s		
Input Current	Average	I _F	25	mA		
	Surge		50			
	Transient		1000			
Reversed Input Voltage	V _R		5	V		
Input Power Dissipation	ASSR-1510	P _{IN}	40	mW		
	ASSR-1511	P _{IN}	40	mW		
	ASSR-1520	P _{IN}	80	mW		
	ASSR-1530					
Output Power Dissipation	ASSR-1510	P _O	500	mW		
	ASSR-1511	P _O	800	mW		
	ASSR-1520	P _O	700	mW		
	ASSR-1530					
Average Output Current (T _A = 25°C, T _C ≤ 100°C)		I _O	1.0	A	1	
	ASSR-1511 Connection B	I _O	2.0	A		
Output Voltage (T _A = 25°C)		V _O	-60	60	V	2
	ASSR-1511 Connection B	V _O	0	60	V	2
Solder Reflow Temperature Profile	See Lead Free IR Profile					

Recommended Operating Conditions

Parameter	Symbol	Min.	Max.	Units	Note
Input Current (ON)	I _{F(ON)}	3	20	mA	3
Input Voltage (OFF)	V _{F(OFF)}	0	0.8	V	
Operating Temperature	T _A	-40	+85	°C	

Package Characteristics

Unless otherwise specified, T_A = 25°C.

Parameter	Sym.	Min.	Typ.	Max.	Units	Conditions	Note
Input-Output Momentary Withstand Voltage	V _{ISO}	3750			V _{rms}	RH ≤ 50%, t = 1 min	4, 5
Input-Output Resistance	R _{I-O}		10 ¹²		Ω	V _{I-O} = 500 Vdc	
Input-Output Capacitance							
ASSR-1510	C _{I-O}		0.4		pF	f = 1 MHz; V _{I-O} = 0 Vdc	4
ASSR-1511	C _{I-O}		0.5		pF	f = 1 MHz; V _{I-O} = 0 Vdc	
ASSR-1520	C _{I-O}		0.8		pF	f = 1 MHz; V _{I-O} = 0 Vdc	
ASSR-1530							

Electrical Specifications (DC)

Over recommended operating $T_A = -40^{\circ}\text{C}$ to 85°C , $I_F = 5\text{mA}$ to 10mA , unless otherwise specified.

Parameter	Sym.	Min.	Typ.	Max.	Units	Conditions	Fig.	Note
Output Withstand Voltage	$ V_{O(OFF)} $	60	65		V	$V_F = 0.8\text{V}$, $I_O = 250\ \mu\text{A}$, $T_A = 25^{\circ}\text{C}$		
		55			V	$V_F = 0.8\text{V}$, $I_O = 250\ \mu\text{A}$	5	
Output Leakage Current	$I_{O(OFF)}$		0.5	100	nA	$V_F = 0.8\text{V}$, $V_O = 60\text{V}$, $T_A = 25^{\circ}\text{C}$		
				1	μA	$V_F = 0.8\text{V}$, $V_O = 60\text{V}$	6	
Output Offset Voltage	$ V_{(OS)} $		1		μV	$I_F = 5\text{mA}$, $I_O = 0\text{mA}$		
Input Reverse Breakdown Voltage	V_R	5			V	$I_R = 10\ \mu\text{A}$		
Input Forward Voltage	V_F	1.1	1.3	1.65	V	$I_F = 5\text{mA}$	8, 9	
Output On-resistance	$R_{(ON)}$		0.35	0.5	Ω	$I_F = 5\text{mA}$, $I_O = 1\text{A}$, Pulse $\leq 30\text{ms}$, $T_A = 25^{\circ}\text{C}$	10, 11	6
	ASSR-1511 Connection B		0.12	0.2	Ω	$I_F = 5\text{mA}$, $I_O = 2\text{A}$, Pulse $\leq 30\text{ms}$, $T_A = 25^{\circ}\text{C}$		
	$R_{(ON)}$							

Switching Specifications (AC)

Over recommended operating $T_A = -40^{\circ}\text{C}$ to 85°C , $I_F = 5\text{mA}$ to 10mA , unless otherwise specified.

Parameter	Sym.	Min.	Typ.	Max.	Units	Conditions	Fig.	Note
Turn On Time	T_{ON}		0.5	1.0	ms	$I_F = 5\text{mA}$, $I_O = 1\text{A}$, $T_A = 25^{\circ}\text{C}$	12, 16	
				2.0	ms	$I_F = 5\text{mA}$, $I_O = 1\text{A}$	13	
			0.25	0.5	ms	$I_F = 10\text{mA}$, $I_O = 1\text{A}$, $T_A = 25^{\circ}\text{C}$		
				1.0	ms	$I_F = 10\text{mA}$, $I_O = 1\text{A}$		
Turn Off Time	T_{OFF}		0.03	0.2	ms	$I_F = 5\text{mA}$, $I_O = 1\text{A}$, $T_A = 25^{\circ}\text{C}$	14, 16	
				0.5	ms	$I_F = 5\text{mA}$, $I_O = 1\text{A}$	15	
			0.02	0.15	ms	$I_F = 10\text{mA}$, $I_O = 1\text{A}$, $T_A = 25^{\circ}\text{C}$		
				0.2	ms	$I_F = 10\text{mA}$, $I_O = 1\text{A}$		
Output Transient Rejection	dV_O/dt	1	7		$\text{kV}/\mu\text{s}$	$\Delta V_O = 60\text{V}$, $T_A = 25^{\circ}\text{C}$	17	
Input-Output Transient Rejection	dV_{I-O}/dt	1	≥ 10		$\text{kV}/\mu\text{s}$	$\Delta V_{I-O} = 1000\text{V}$, $T_A = 25^{\circ}\text{C}$	18	

Notes:

- For derating, refer to Figure 1, 2, 3 and 4.
- The voltage across the output terminals of the relay should not exceed this rated withstand voltage. Over-voltage protection circuits should be added in some applications to protect against over-voltage transients.
- Threshold to switch device is $I_F \geq 0.5\text{mA}$, however, for qualified device performance over temperature range, it is recommended to operate at $I_F = 5\text{mA}$.
- Device is considered as a two terminal device:
ASSR-1510 - pin 1, 2 shorted and pin 3, 4 shorted.
ASSR-1511 - pin 1, 2, 3 shorted and pin 4, 5, 6 shorted.
ASSR-1520 and ASSR-1530 - pin 1, 2, 3, 4 shorted and pin 5, 6, 7, 8 shorted.
- The Input-Output Momentary Withstand Voltage is a dielectric voltage rating that should not be interpreted as an input-output continuous voltage rating. For the continuous voltage rating refer to the IEC/EN/DIN EN 60747-5-2 Insulation Characteristics Table (if applicable), your equipment level safety specification, or Avago Technologies Application Note 1074, "Optocoupler Input-Output Endurance Voltage."
- During the pulsed $R_{(ON)}$ measurement (I_O duration $\leq 30\text{ms}$), ambient (T_A) and case temperature (T_C) are equal.

Applications Information

On-Resistance and Derating Curves

The Output On-Resistance, $R_{(ON)}$, specified in this data sheet, is the resistance measured across the output contact when a pulsed current signal ($I_o=1A$) is applied to the output pins. The use of a pulsed signal ($\leq 30ms$) implies that each junction temperature is equal to the ambient and case temperatures. The steady-state resistance, R_{ss} , on the other hand, is the value of the resistance measured across the output contact when a DC current signal is applied to the output pins for a duration sufficient to reach thermal equilibrium. R_{ss} includes the effects of the temperature rise in the device.

Derating curves are shown in Figures 1, 2, 3 and 4, specifying the maximum output current allowable for a given ambient temperature. The maximum allowable output current and power dissipation are related by the expression $R_{ss}=P_o(max)/(I_o(max))^2$ from which R_{ss} can be calculated. Staying within the safe area assures that the steady state MOSFET junction temperature remains less than $125^{\circ}C$.

Turn On Time and Turn Off Time Variation

The ASSR-15xx Series exhibits a very fast turn on and turn off time. Both the turn on and turn off time can be adjusted by choosing proper forward current as depicted in Figures 12 and 14. The changes of the turn on and turn off time with ambient temperature are also shown in Figures 13 and 15.

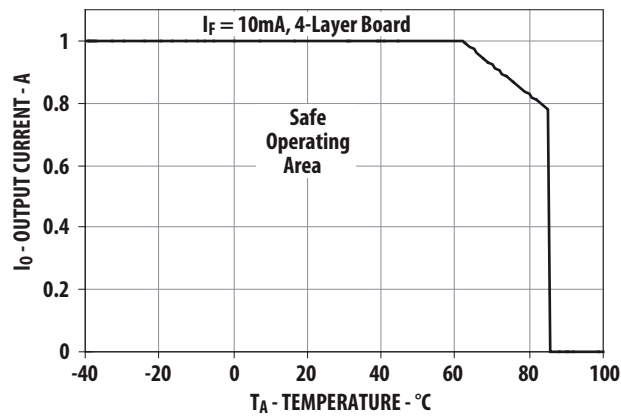


Figure 1. Maximum Output Current Rating vs Ambient Temperature (ASSR-1510-003E)

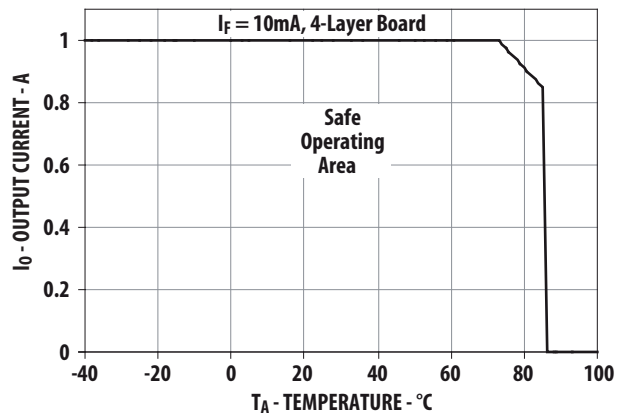


Figure 2. Maximum Output Current Rating vs Ambient Temperature (ASSR-1511-001E)

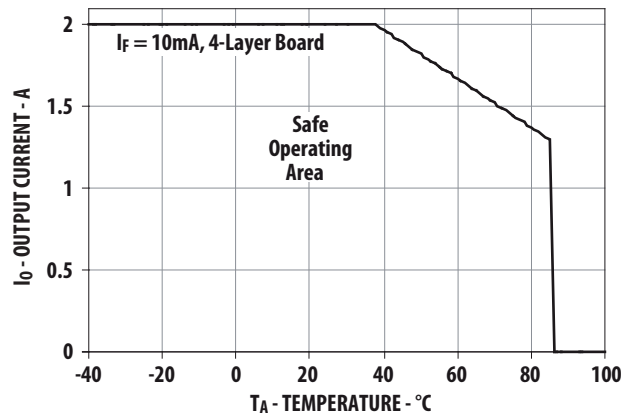


Figure 3. Maximum Output Current Rating vs Ambient Temperature (ASSR-1511-001E DC Connection)

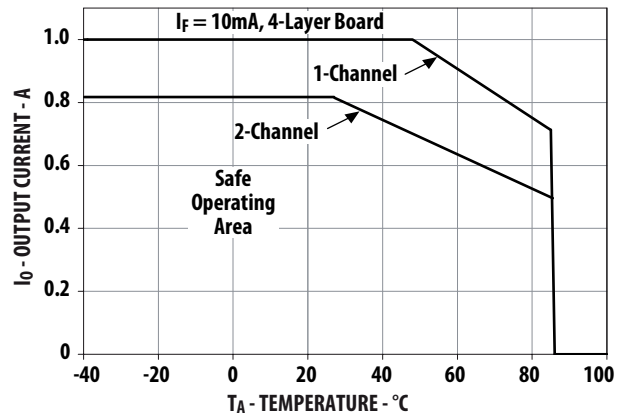


Figure 4. Maximum Output Current Rating vs Ambient Temperature (ASSR-1520-002E and ASSR-1530-005E)

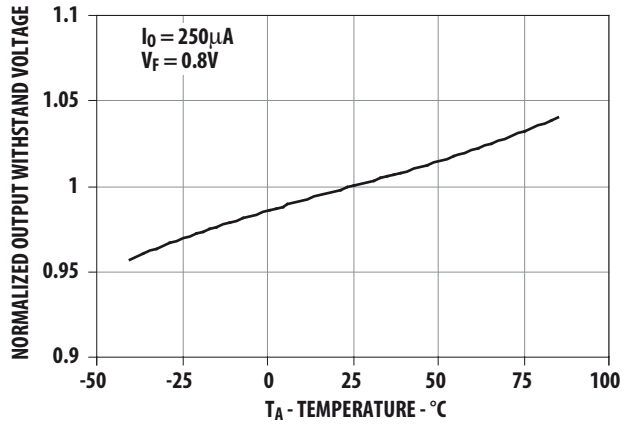


Figure 5. Normalized Typical Output Withstand Voltage vs. Temperature

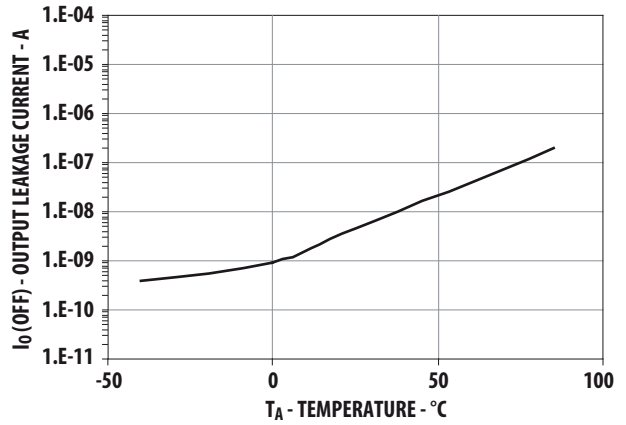


Figure 6. Typical Output Leakage Current vs. Temperature

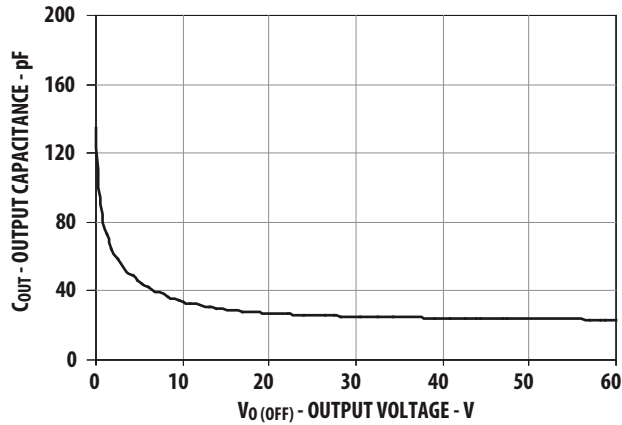


Figure 7. Output Capacitance vs. Output Voltage

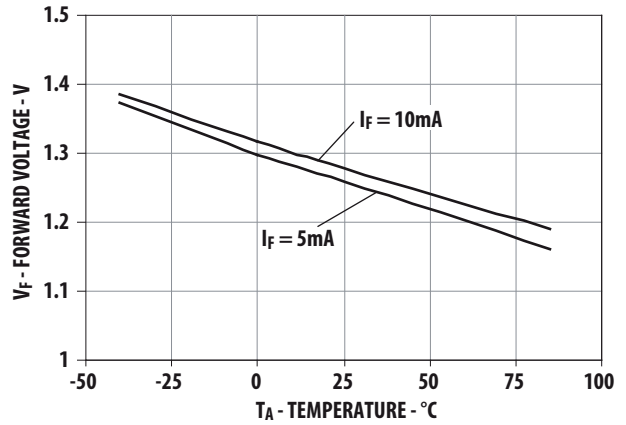


Figure 8. Typical Forward Voltage vs. Temperature

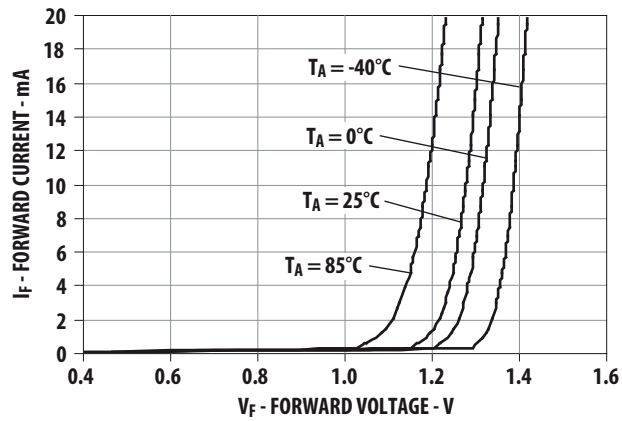


Figure 9. Typical Forward Current vs. Forward Voltage

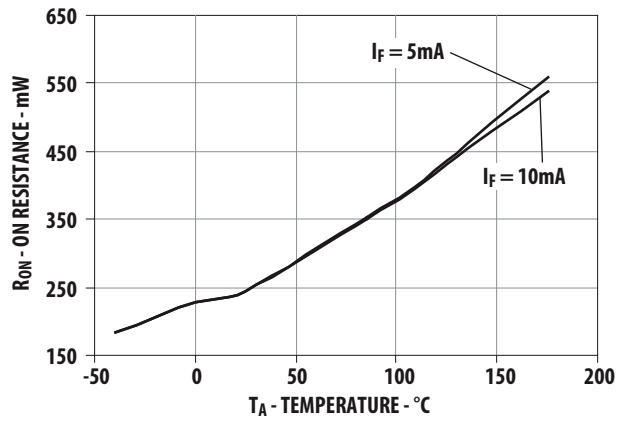


Figure 10. Typical On Resistance vs. Temperature

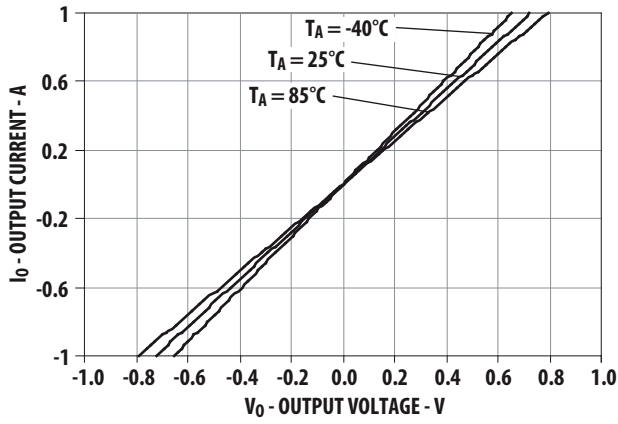


Figure 11. Typical Output Current vs. Output Voltage

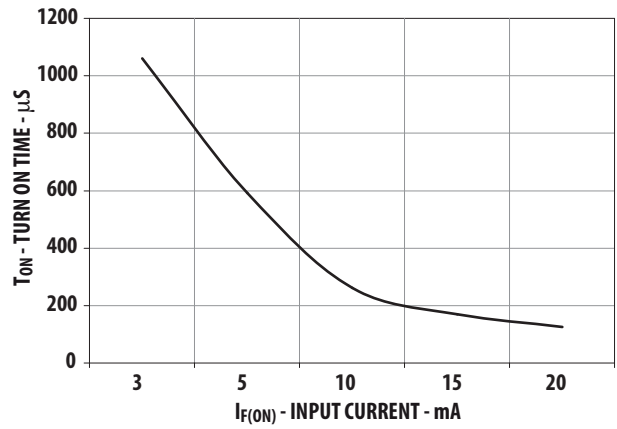


Figure 12. Typical Turn On Time vs. Input Current

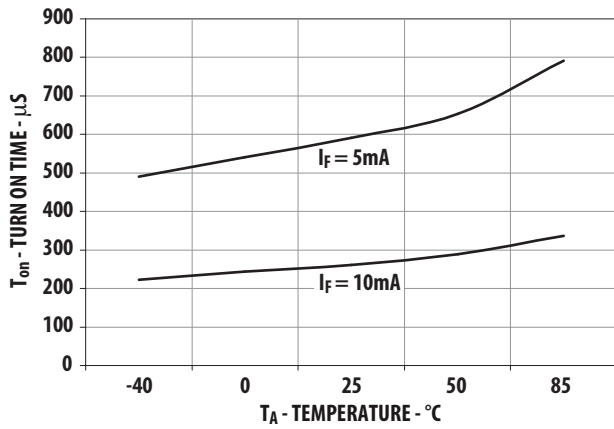


Figure 13. Typical Turn On Time vs. Temperature

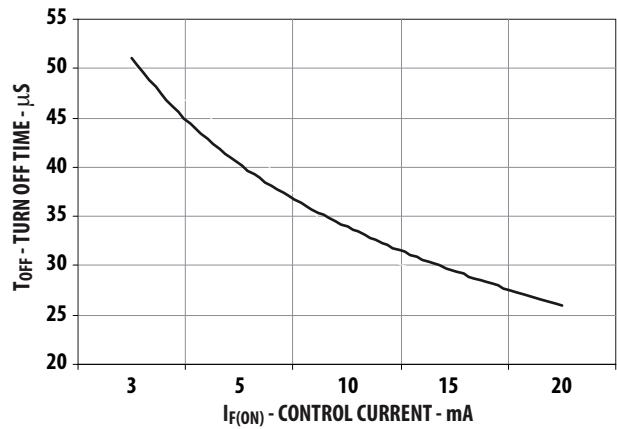


Figure 14. Typical Turn Off Time vs. Input Current

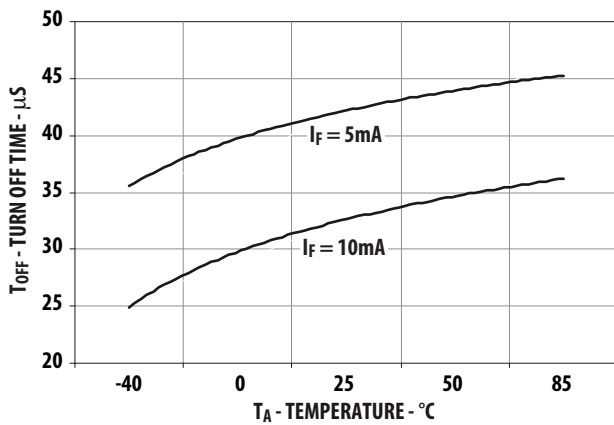


Figure 15. Typical Turn Off Time vs. Temperature

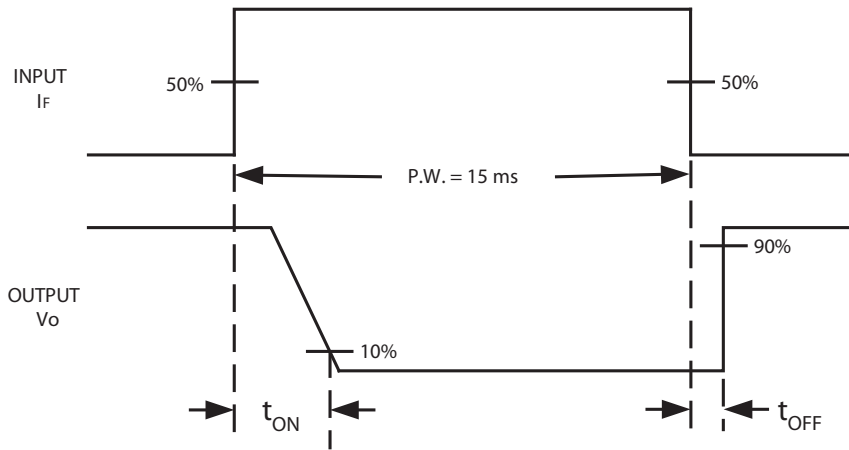
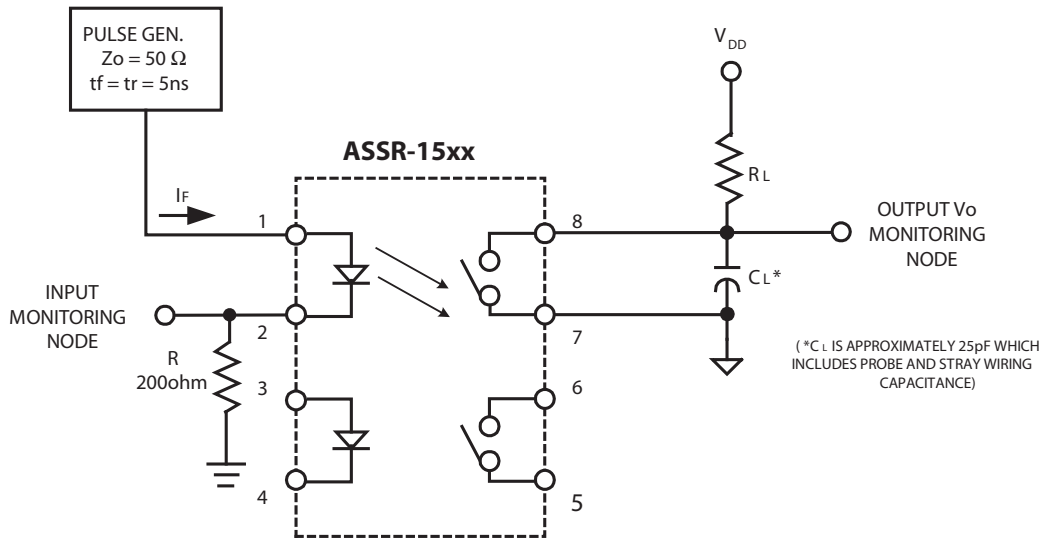
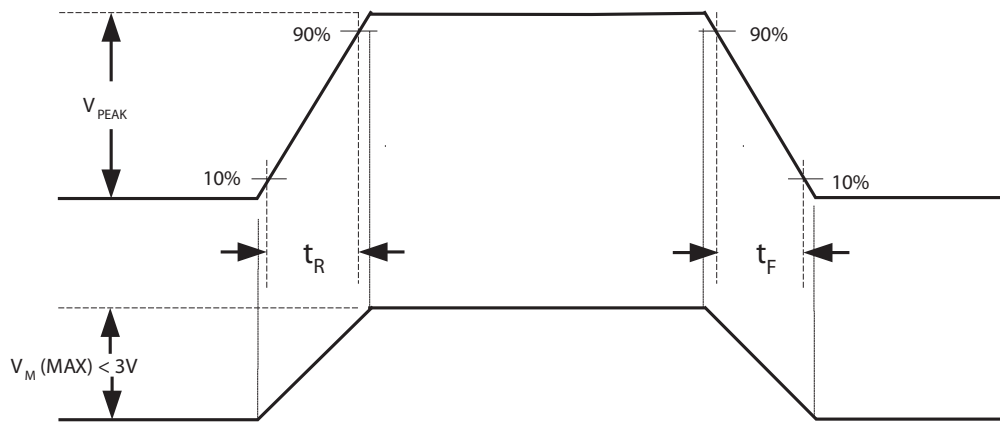
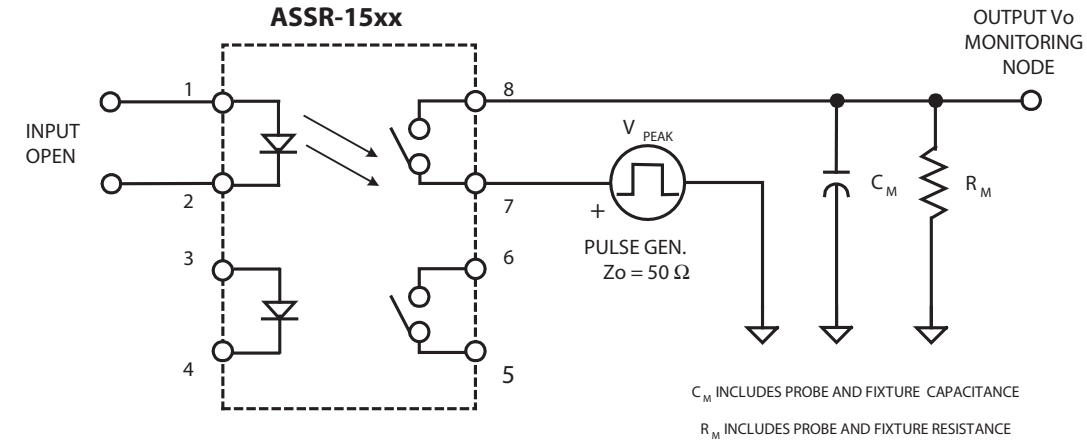


Figure 16. Switching Test circuit for t_{ON} , t_{OFF}



$$\frac{dV_0}{dt} = \frac{(0.8)V_{PEAK}}{t_R} \text{ OR } \frac{(0.8)V_{PEAK}}{t_F}$$

OVERSHOOT ON V_{PEAK} IS TO BE $\leq 10\%$

Figure 17. Output Transient Rejection Test Circuit

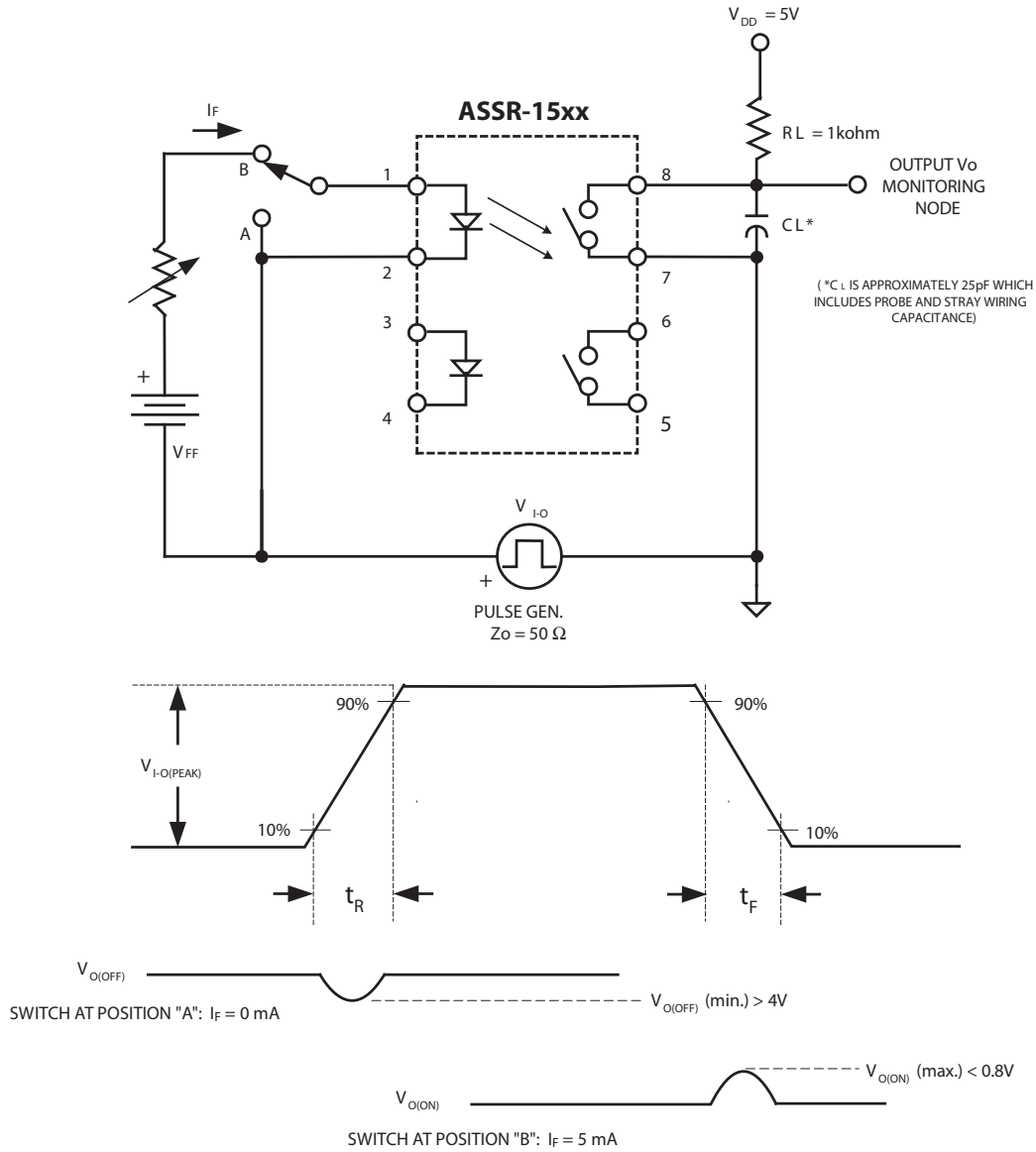


Figure 18. Input - Output Transient Rejection Test Circuit

For product information and a complete list of distributors, please go to our web site: www.avagotech.com

Avago, Avago Technologies, and the A logo are trademarks of Avago Technologies in the United States and other countries. Data subject to change. Copyright © 2005-2012 Avago Technologies. All rights reserved. Obsoletes AV01-0638EN AV02-0036EN - March 19, 2012



Данный компонент на территории Российской Федерации

Вы можете приобрести в компании MosChip.

Для оперативного оформления запроса Вам необходимо перейти по данной ссылке:

<http://moschip.ru/get-element>

Вы можете разместить у нас заказ для любого Вашего проекта, будь то серийное производство или разработка единичного прибора.

В нашем ассортименте представлены ведущие мировые производители активных и пассивных электронных компонентов.

Нашей специализацией является поставка электронной компонентной базы двойного назначения, продукции таких производителей как XILINX, Intel (ex.ALTERA), Vicor, Microchip, Texas Instruments, Analog Devices, Mini-Circuits, Amphenol, Glenair.

Сотрудничество с глобальными дистрибьюторами электронных компонентов, предоставляет возможность заказывать и получать с международных складов практически любой перечень компонентов в оптимальные для Вас сроки.

На всех этапах разработки и производства наши партнеры могут получить квалифицированную поддержку опытных инженеров.

Система менеджмента качества компании отвечает требованиям в соответствии с ГОСТ Р ИСО 9001, ГОСТ РВ 0015-002 и ЭС РД 009

Офис по работе с юридическими лицами:

105318, г.Москва, ул.Щербаковская д.3, офис 1107, 1118, ДЦ «Щербаковский»

Телефон: +7 495 668-12-70 (многоканальный)

Факс: +7 495 668-12-70 (доб.304)

E-mail: info@moschip.ru

Skype отдела продаж:

moschip.ru

moschip.ru_4

moschip.ru_6

moschip.ru_9