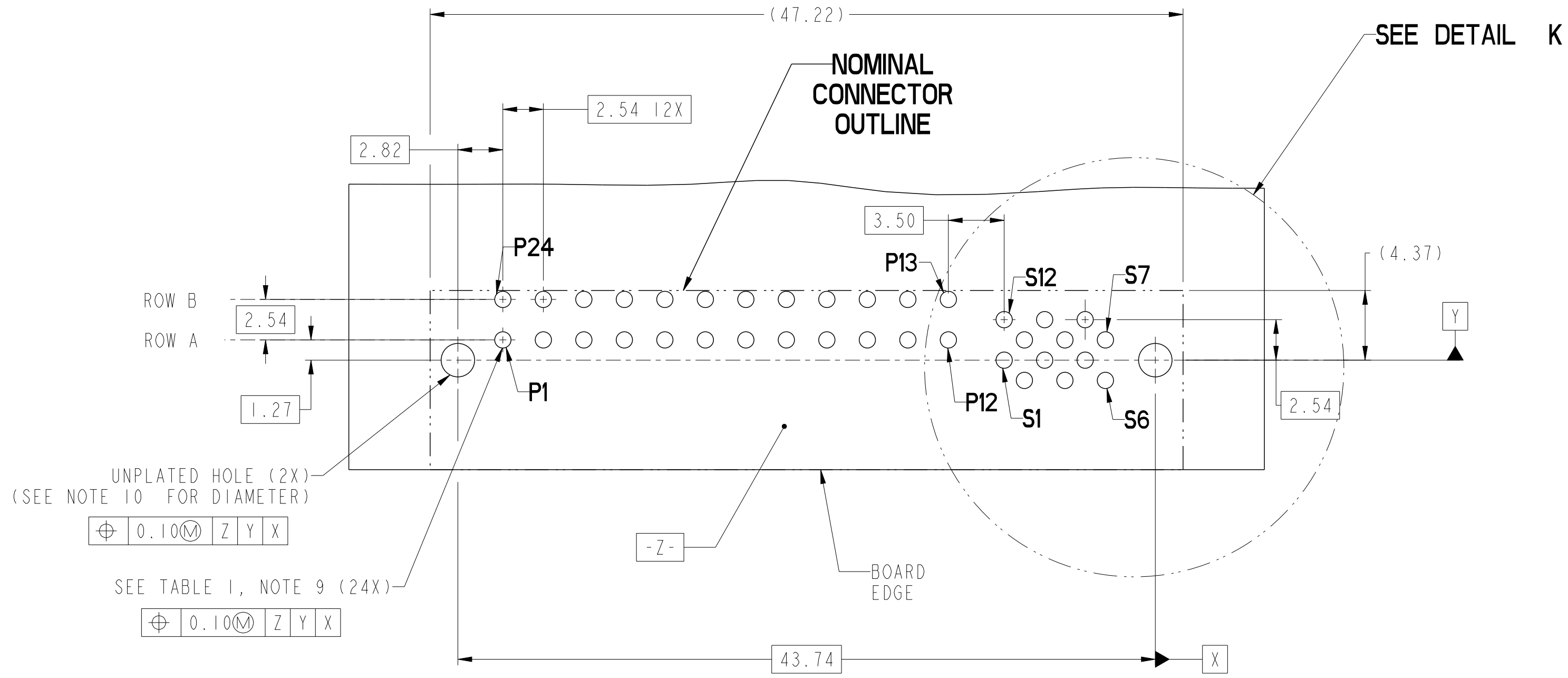


SECTION A-A

SECTION B-B

| <table border="1"> <tr> <th>rev</th> <th>ecn no</th> <th>dr</th> <th>date</th> </tr> <tr> <td>A</td> <td>---</td> <td>HZ</td> <td>2012-01-13</td> </tr> <tr> <td>-</td> <td>-</td> <td>-</td> <td>-</td> </tr> <tr> <td>-</td> <td>-</td> <td>-</td> <td>-</td> </tr> <tr> <td>-</td> <td>-</td> <td>-</td> <td>-</td> </tr> <tr> <td>-</td> <td>-</td> <td>-</td> <td>-</td> </tr> </table> |        |    |            | rev | ecn no | dr          | date | A          | --- | HZ                     | 2012-01-13 | -            | - | - | - | - | - | - | - | - | - | - | - | - | - | - | - | spec ref -<br>tolerance std -<br>surface <input checked="" type="checkbox"/> |  |  |  | TOLERANCES UNLESS OTHERWISE SPECIFIED<br>linear 0.X ±0.30<br>0.XX ±0.10<br>0.XXX ±0.05<br>angular 0° ±2° |  |  |  | dr Wei-Long Zhang 2011/12/23<br>eng Wei-Long Zhang 2012/01/13<br>chr Eleven Hu 2012/01/13<br>appr Pei-Ming Zheng 2012/01/13 |  | projection  MM<br>size A2<br>scale 4:1 |  | ecn no -<br>rel level Released |  |
|--|--------|----|------------|-----|--------|-------------|------|------------|-----|------------------------|------------|--------------|---|---|---|---|---|---|---|---|---|---|---|---|---|---|---|--|--|--|--|--|--|--|--|---|--|--|--|--------------------------------|--|
| rev  | ecn no | dr | date       |     |        |             |      |            |     |                        |            |              |   |   |   |   |   |   |   |   |   |   |   |   |   |   |   |  |  |  |  |  |  |  |  |   |  |  |  |                                |  |
| A  | ---    | HZ | 2012-01-13 |     |        |             |      |            |     |                        |            |              |   |   |   |   |   |   |   |   |   |   |   |   |   |   |   |  |  |  |  |  |  |  |  |   |  |  |  |                                |  |
| -  | -      | -  | -          |     |        |             |      |            |     |                        |            |              |   |   |   |   |   |   |   |   |   |   |   |   |   |   |   |  |  |  |  |  |  |  |  |   |  |  |  |                                |  |
| -  | -      | -  | -          |     |        |             |      |            |     |                        |            |              |   |   |   |   |   |   |   |   |   |   |   |   |   |   |   |  |  |  |  |  |  |  |  |   |  |  |  |                                |  |
| -  | -      | -  | -          |     |        |             |      |            |     |                        |            |              |   |   |   |   |   |   |   |   |   |   |   |   |   |   |   |  |  |  |  |  |  |  |  |   |  |  |  |                                |  |
| -  | -      | -  | -          |     |        |             |      |            |     |                        |            |              |   |   |   |   |   |   |   |   |   |   |   |   |   |   |   |  |  |  |  |  |  |  |  |   |  |  |  |                                |  |
| title RIGHT ANGLE 24P12S<br>HIGH POWER CARD EDGE   |        |    |            |     |        | www.fci.com |      | cat. no. - |     | Product - Customer Drw |            | sheet 1 of 4 |   |   |   |   |   |   |   |   |   |   |   |   |   |   |   |  |  |  |  |  |  |  |  |   |  |  |  |                                |  |





UNPLATED HOLE (2X)  
(SEE NOTE 10 FOR DIAMETER)

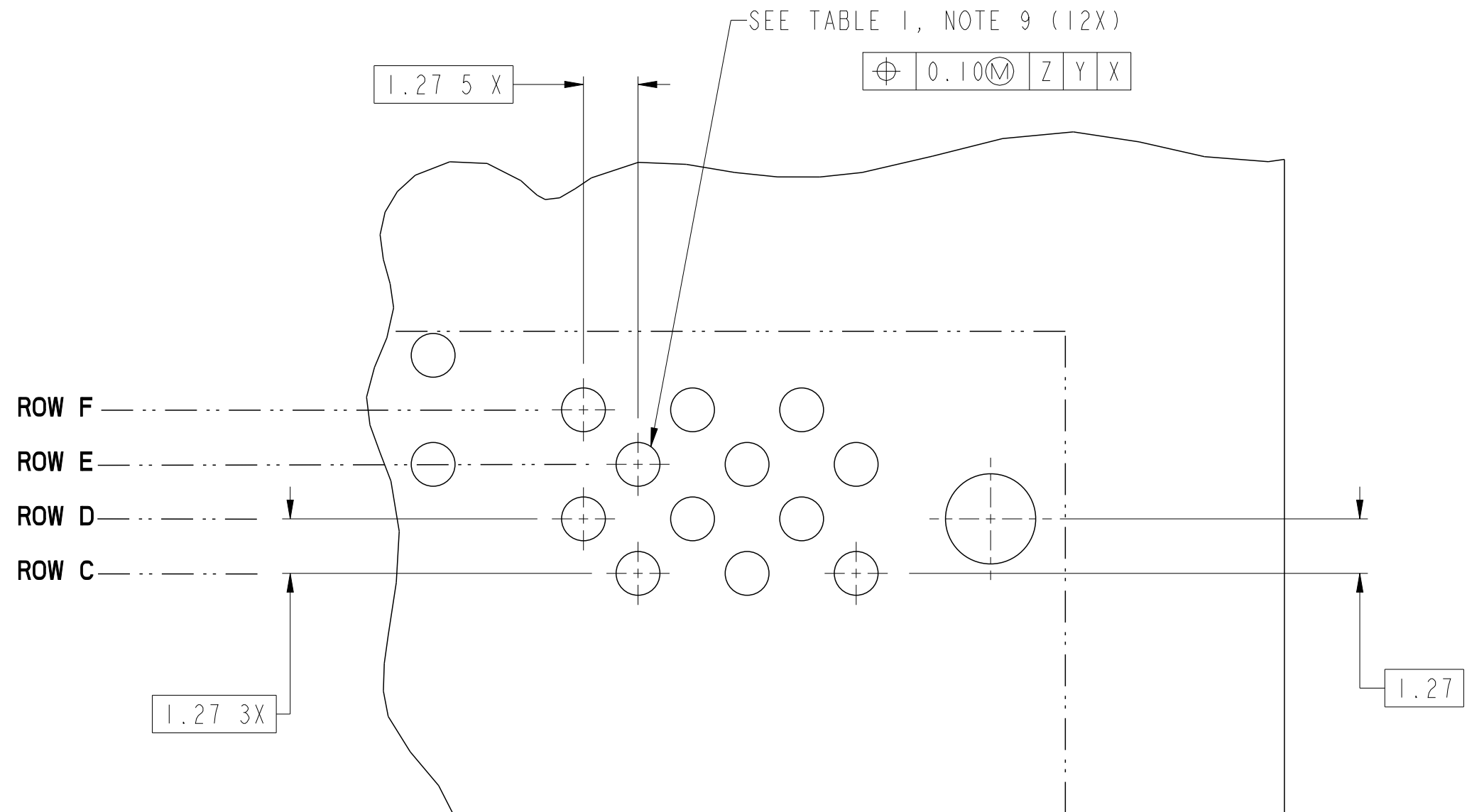
⊕ 0.10(M) Z Y X

SEE TABLE 1, NOTE 9 (24X)

⊕ 0.10(M) Z Y X

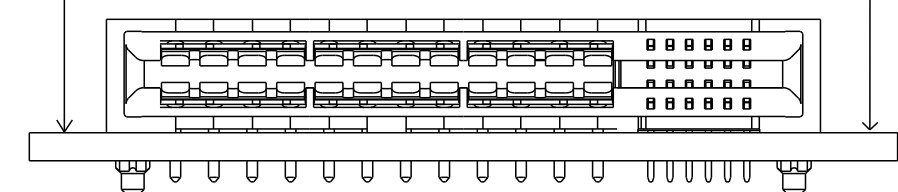
SEE TABLE 1, NOTE 9 (12X)

⊕ 0.10(M) Z Y X



DETAIL K  
SCALE 8:1

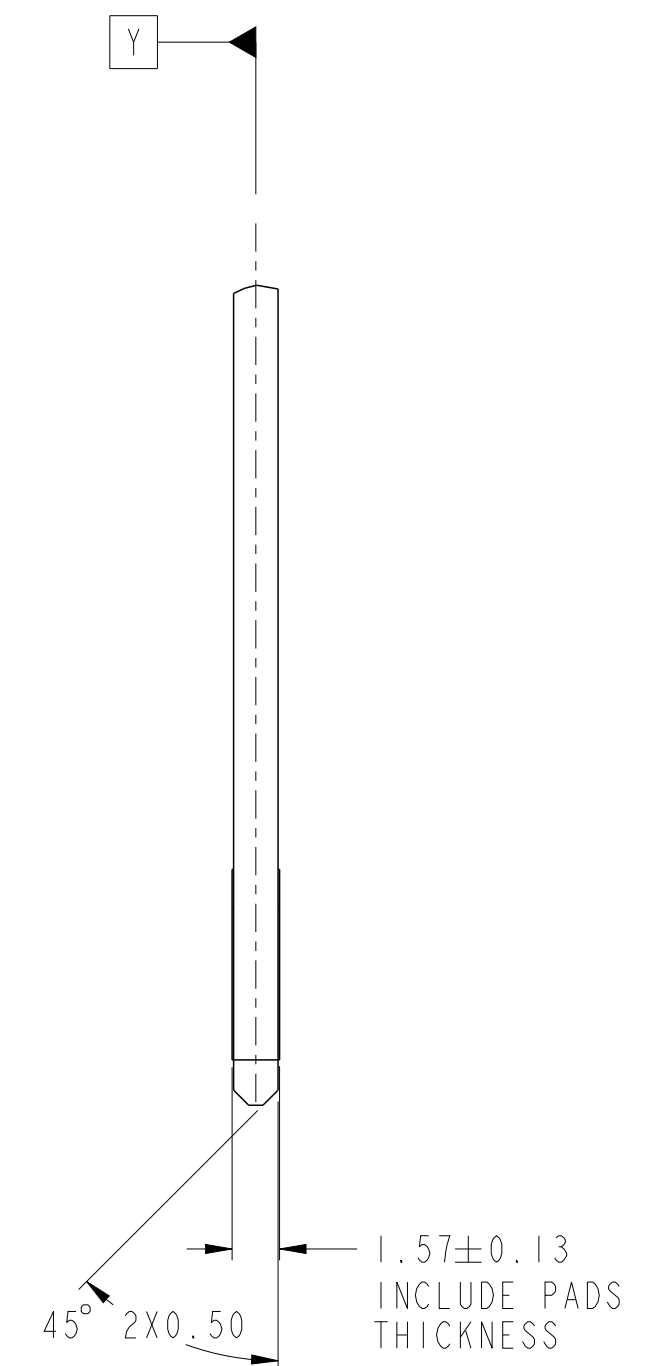
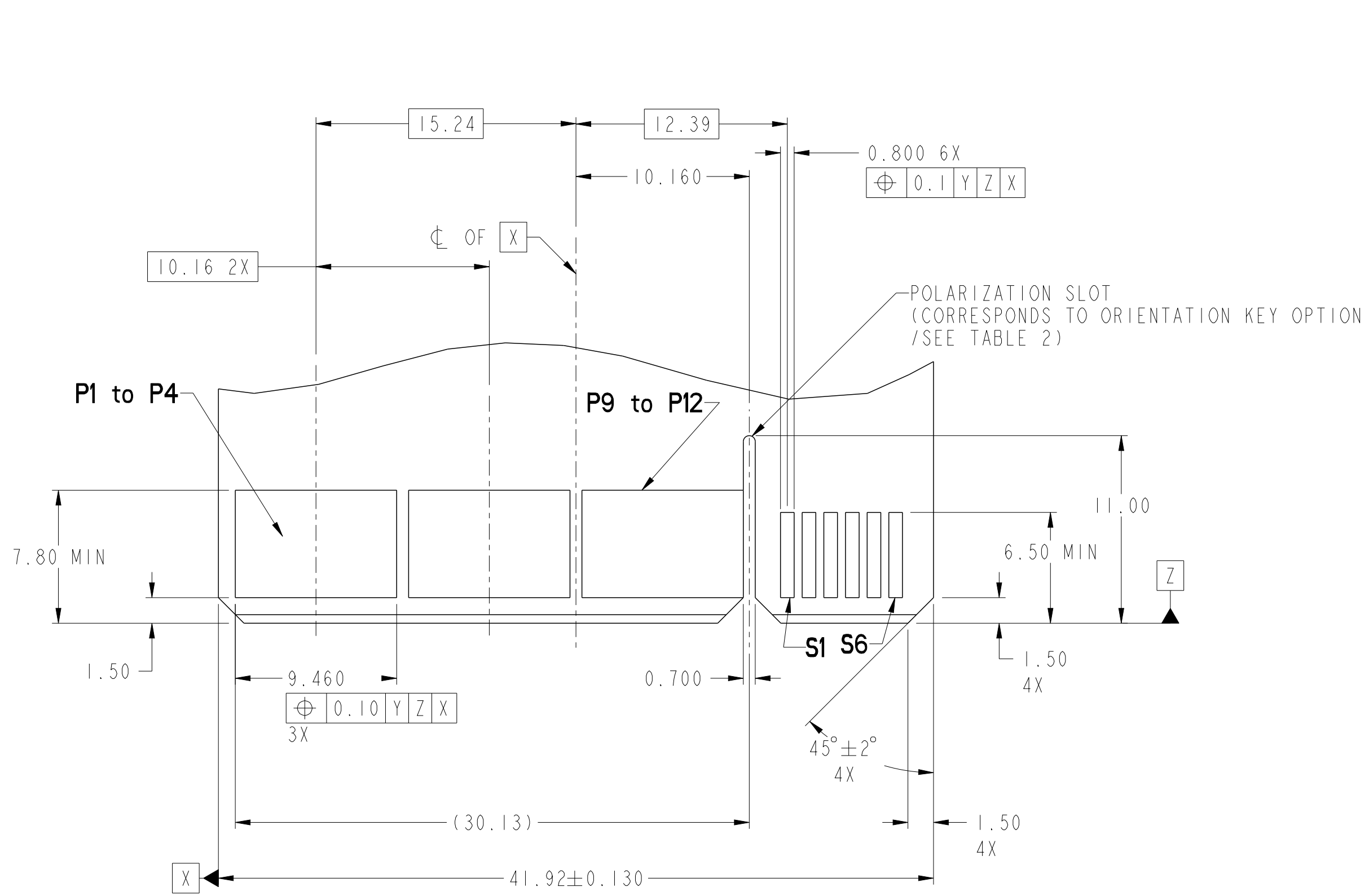
RECOMMENDED PCB LAYOUT  
VIEWED FROM CONNECTOR SIDE



|      |                |            |   |    |          |                    |                        |              |
|------|----------------|------------|---|----|----------|--------------------|------------------------|--------------|
| dr   | Wei-Long Zhang | 2011/12/23 | projection  | MM | size     | A2                 | scale                  | 4:1          |
| eng  | Wei-Long Zhang | 2012/01/13 |   |    | ecn no   | -                  | rel level              | Released     |
| chr  | Eleven Hu      | 2012/01/13 |   |    |          |                    |                        |              |
| appr | Pei-Ming Zheng | 2012/01/13 | product family                                      | -  | cat. no. | -                  | Product - Customer Drw | sheet 2 of 4 |
|      |                |            | TITLE<br>RIGHT ANGLE 24P12S<br>HIGH POWER CARD EDGE |    |          | dwg no<br>10119849 |                        | rev<br>A     |

Copyright FCI.

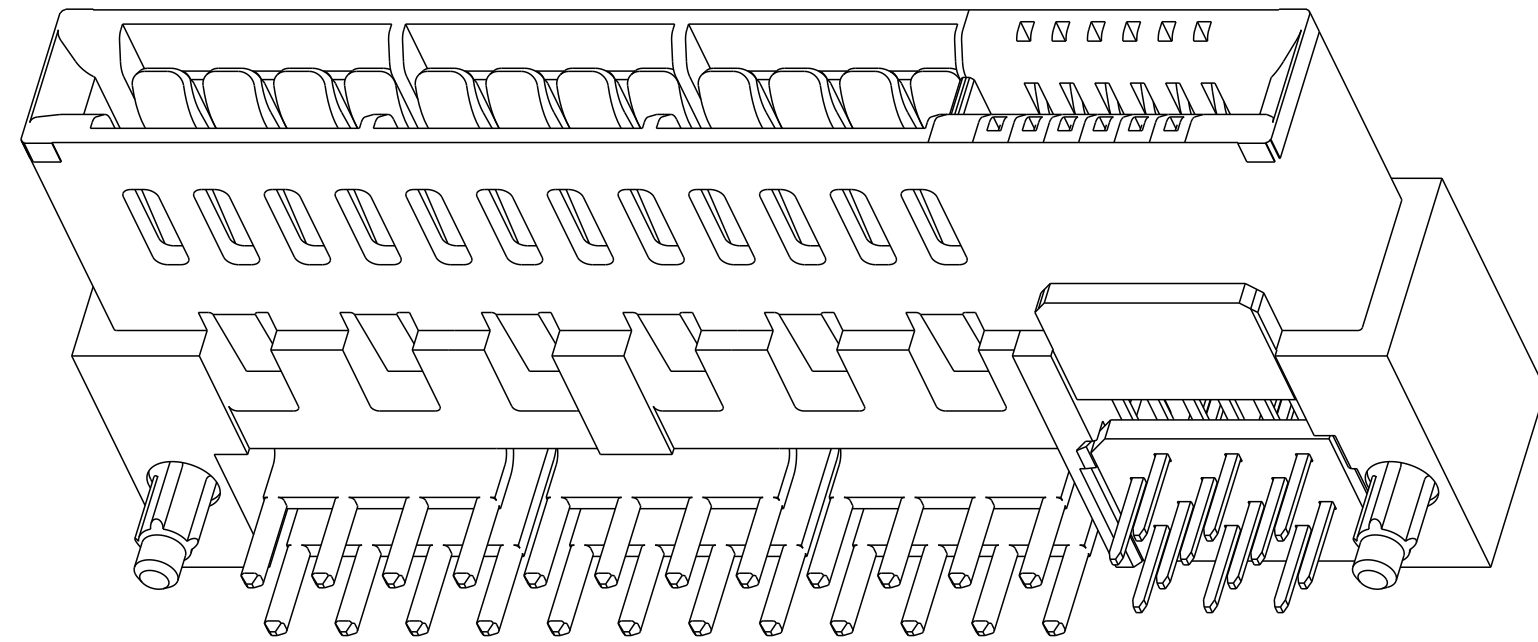
| CONTACT TYPE   | TOP LAYER DESCRIPTION | TABLE 1 (HPCE / SOLDER TAILS)<br>PLATED THROUGH-HOLE REQUIREMENTS |                  |                    |               |                        |
|----------------|-----------------------|---|------------------|--------------------|---------------|------------------------|
|                |                       | DRILLED HOLE DIAMETER   | COPPER THICKNESS | TIN-LEAD THICKNESS | TIN THICKNESS | FINISHED HOLE DIAMETER |
| POWER & SIGNAL | TIN-LEAD              | 1.10-1.16 (1.15 DRILL)  | 0.025 - 0.050    | 0.005 - 0.015      | --            | 0.94 - 1.10            |
|                | IMMERSION TIN         | 1.10-1.16 (1.15 DRILL)  | 0.025 - 0.050    | --                 | 0.9 - 1.5um   | 0.94 - 1.10            |
|                | COPPER (SEE NOTE 8)   | 1.10-1.16 (1.15 DRILL)  | 0.025 - 0.050    | --                 | --            | 0.94 - 1.10            |



**RECOMMENDED MATING BOARD  
FOOTPRINT**

|             |                |            |   |    |                        |                    |              |                 |
|-------------|----------------|------------|---|----|------------------------|--------------------|--------------|-----------------|
| dr          | Wei-Long Zhang | 2011/12/23 | projection  | MM | size                   | A2                 | scale        | 4:1             |
| eng         | Wei-Long Zhang | 2012/01/13 |   |    | ecn no                 | -                  | rel level    | Released        |
| chr         | Eleven Hu      | 2012/01/13 |   |    |                        |                    |              |                 |
| appr        | Pei-Ming Zheng | 2012/01/13 | product family                                    | -  |                        |                    |              |                 |
|             |                |            | <b>RIGHT ANGLE 24P12S</b><br>HIGH POWER CARD EDGE |    |                        | dwg no<br>10119849 |              | rev<br><b>A</b> |
| www.fci.com |                |            | cat. no.  |    | Product - Customer Drw |                    | sheet 3 of 4 |                 |

| HPCE PART NUMBER (TABLE 2) |             |                  |                 |                             |
|----------------------------|-------------|------------------|-----------------|-----------------------------|
| 10117877                   | TAIL TYPE   | HOLD-DOWN OPTION | ORIENTATION KEY | DIM "A" TYPICAL TAIL LENGTH |
| 10119849-001LF             | SOLDER TAIL | NO               | YES             | 3.25±0.50                   |
| 10119849-002LF             |             |                  | NO              |                             |
| 10119849-003LF             |             | YES              | YES             |                             |
| 10119849-004LF             |             |                  | NO              |                             |



NOTES:

1. CONNECTOR MATERIALS:
  - HOUSING: HIGH TEMPERATURE THERMAL PLASTIC, BLACK  
UL 94V-0 COMPLIANT
  - CONTACTS: HIGH PERFORMANCE COPPER ALLOY.
2. CONTACT FINISH REF. GS-12-604 SECTION 5.2.
3. PRODUCT SPECIFICATION: GS-12-604.
4. APPLICATION SPECIFICATION: GS-20-128.
5. PRODUCT MARKING (FCI - PART NUMBER & DATE CODE) ON HOUSING IN AREA SHOWN.
6. PACKAGING MEETS FCI SPECIFICATION GS-14-937.
7. HOUSING COMPONENT WILL WITHSTAND EXPOSURE TO 260°C PEAK TEMPERATURE FOR 60 SECONDS IN A CONVECTION, INFRA-RED, OR VAPOR PHASE REFLOW OVEN.
8. COPPER PLATING THICKNESS IN CENTER OF VIA-HOLE CAN BE NO MORE THAN 0.003 LESS THAN OTHER AREAS.
9. ALL HOLE SIZES ARE FINISHED HOLE SIZES.
10. MOUNTING HOLES ARE UNPLATED  
Ø 2.10 +/- 0.1 FOR SOLDER TAILS

|      |                |            |   |    |                     |          |                        |              |
|------|----------------|------------|---|----|---------------------|----------|------------------------|--------------|
| dr   | Wei-Long Zhang | 2011/12/23 | projection  | MM | size                | A2       | scale                  | 4:1          |
| eng  | Wei-Long Zhang | 2012/01/13 |   |    | ecn no.             | -        | rel level              |              |
| chr  | Eleven Hu      | 2012/01/13 |   |    | product family      | -        | Released               |              |
| appr | Pei-Ming Zheng | 2012/01/13 |   |    | cat. no.            | -        | Product - Customer Drw | sheet 4 of 4 |
|      |                |            | <b>RIGHT ANGLE 24P12S</b><br>HIGH POWER CARD EDGE |    | dwg no.<br>10119849 | rev<br>A |                        |              |

## Данный компонент на территории Российской Федерации

### Вы можете приобрести в компании MosChip.

Для оперативного оформления запроса Вам необходимо перейти по данной ссылке:

<http://moschip.ru/get-element>

Вы можете разместить у нас заказ для любого Вашего проекта, будь то серийное производство или разработка единичного прибора.

В нашем ассортименте представлены ведущие мировые производители активных и пассивных электронных компонентов.

Нашей специализацией является поставка электронной компонентной базы двойного назначения, продукции таких производителей как XILINX, Intel (ex.ALTERA), Vicor, Microchip, Texas Instruments, Analog Devices, Mini-Circuits, Amphenol, Glenair.

Сотрудничество с глобальными дистрибьюторами электронных компонентов, предоставляет возможность заказывать и получать с международных складов практически любой перечень компонентов в оптимальные для Вас сроки.

На всех этапах разработки и производства наши партнеры могут получить квалифицированную поддержку опытных инженеров.

Система менеджмента качества компании отвечает требованиям в соответствии с ГОСТ Р ИСО 9001, ГОСТ РВ 0015-002 и ЭС РД 009

### Офис по работе с юридическими лицами:

105318, г.Москва, ул.Щербаковская д.3, офис 1107, 1118, ДЦ «Щербаковский»

Телефон: +7 495 668-12-70 (многоканальный)

Факс: +7 495 668-12-70 (доб.304)

E-mail: [info@moschip.ru](mailto:info@moschip.ru)

Skype отдела продаж:

moschip.ru

moschip.ru\_4

moschip.ru\_6

moschip.ru\_9