

24V Protected Switch Shield with BTT6030-2EKA and BTT6020-1EKA

About this document

Scope and purpose

This document describes how to use the 24V Protected Switch Shield with BTT6030-2EKA and BTT6020-1EKA.

Intended audience

Engineers, hobbyists and students who want to switch 24 V loads in their Arduino projects.

Table of Contents

About this document	1
Table of Contents	1
1 24V Protected Switch Shield introduction	2
1.1 24V Protected Switch Shield overview	2
1.2 Key features	2
1.3 Blockdiagram of a bi-directional Motor Control.....	4
2 24V Protected Switch Shield board description	5
2.1 Schematics.....	5
2.2 Layout	6
2.3 Pin assignment.....	7
2.4 Pin definitions and functions	8
3 BTT6030-2EKA overview	10
3.1 Key features of the BTT6030-2EKA PROFET™ +24V	10
3.2 Blockdiagram	11
3.3 Pin assignment.....	12
3.4 Pin definitions and functions BTT6030-2EKA	12
4 BTT6020-1EKA overview	13
4.1 Keyfeatures of the BTT6030-2EKA PROFET™ +24V.....	13
4.2 Block diagram	14
4.3 Pin assingsment	14
4.4 Pin assingsment	15
5 Getting Started	16
5.1 Target applications.....	16
5.2 Typical target applications	16
5.2.1 Getting started: Shield	16
5.2.2 Getting started: Software.....	17
5.2.3 Software hints	20
Revision History	22

1 24V Protected Switch Shield introduction

1.1 24V Protected Switch Shield overview

The 24V Protected Switch Shield adds advanced driving and diagnostic of generic loads to the Arduino projects. The shield can be controlled with the general logic IO-Ports of a microcontroller. Either an Arduino Uno R3, the XMC1100 Boot Kit or the more powerful XMC4700 Relax Kit and XMC4800 Relax Kit from Infineon can be used as the master.

On board of the 24V Protected Switch Shield are two BTT6030-2EKA and one BTT6020-1EKA PROFET™+24V. Each of the BTT6030-2EKA features two 32 mΩ Smart high-side power switch-channels, whereas the BTT6020-1EKA features a single 20 mΩ channel. In total the shield provides five Smart High-Side Power Switch Channels. Each is built by a vertical N-channel power MOSFET with charge pump.

Due to the integrated charge pump the channels can be controlled by standard digital IOs (3.3 V and 5 V supported).

The 24V Protected Switch Shield can be easily connected to any Arduino compatible board like the XMC1100 Boot Kit via headers.

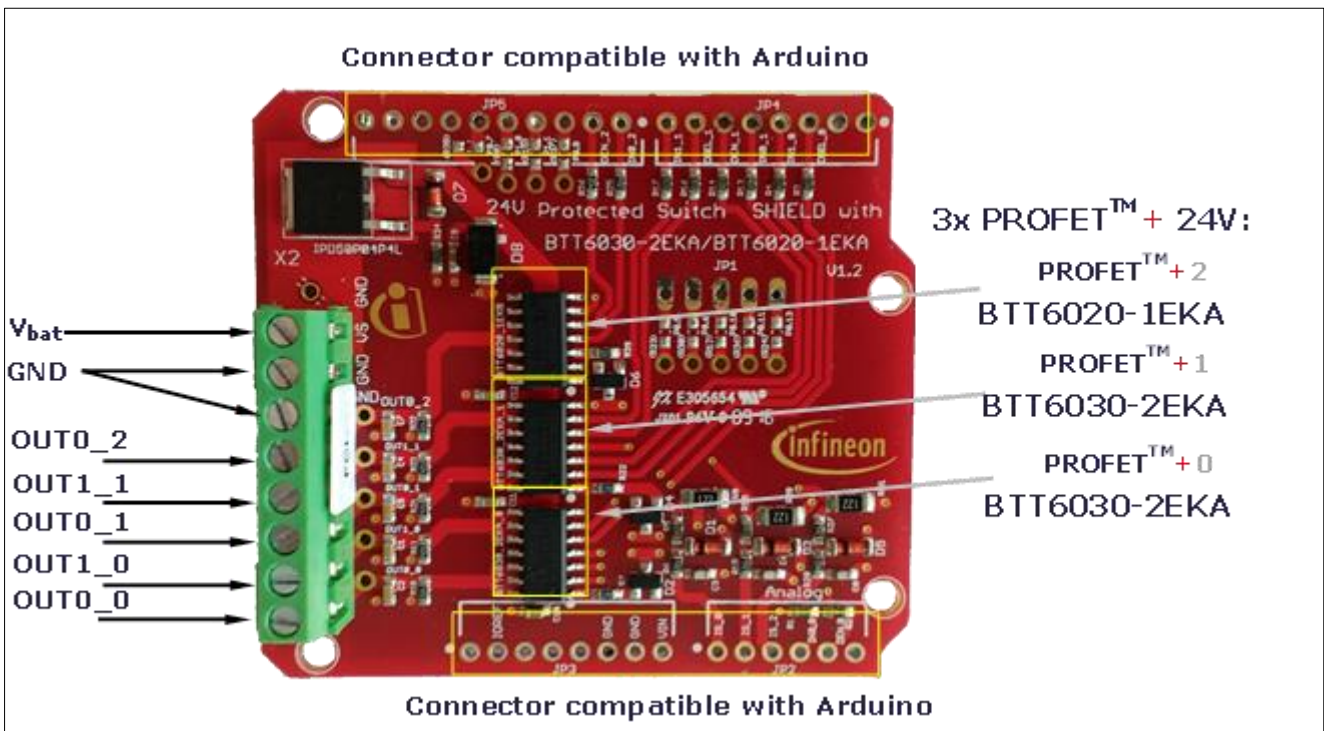


Figure 1 24V Protected Switch Shield photo

1.2 Key features

The 24V Protected Switch Shield has the following features:

- An Arduino Uno R3, XMC1100 Boot Kit, or similar board connected to the shield can control the five power channels via the general IO pins.
- Drives resistive, capacitive and inductive loads with PWM or in DC (eg. truck bulbs, car bulbs, valves, motors, relays, capacitors, LEDs...)

- Infineon PROFET™ devices have an integrated charge pump, internal protection features and a current feedback to the ADC of the microcontroller
- Supply voltage: Functional range: 5 V – 48 V; Nominal range: 8 V – 36 V
- Nominal Current up to 5 A per channel restricted due to the limited power dissipation of the PCB (BTT6020-1EKA nominal Current: 7 A)
- PWM (Pulse Width Modulation) via input pins up to 400 Hz
higher frequencies possible depending on load, input voltage and duty cycle
- Diagnosis of the load / current feedback
 - Accurate feedback on the state of the load to the ADC of the microcontroller (current measurement & Fault detection).
 - Possibility to build feedback loops from the load side to the microcontroller
- Protection of load and driver circuit
 - Protection against overcurrent on the load side via diagnosis feedback
 - thermal protection of the driver
 - Overcurrent protection on the driver side (see datasheet)
 - Fault detection via IS pin
 - Protection against high transient voltages (ESD, ISO pulses)
 - Low conducted emissions
- Reverse current blocking with IPD50Po4P4L-11

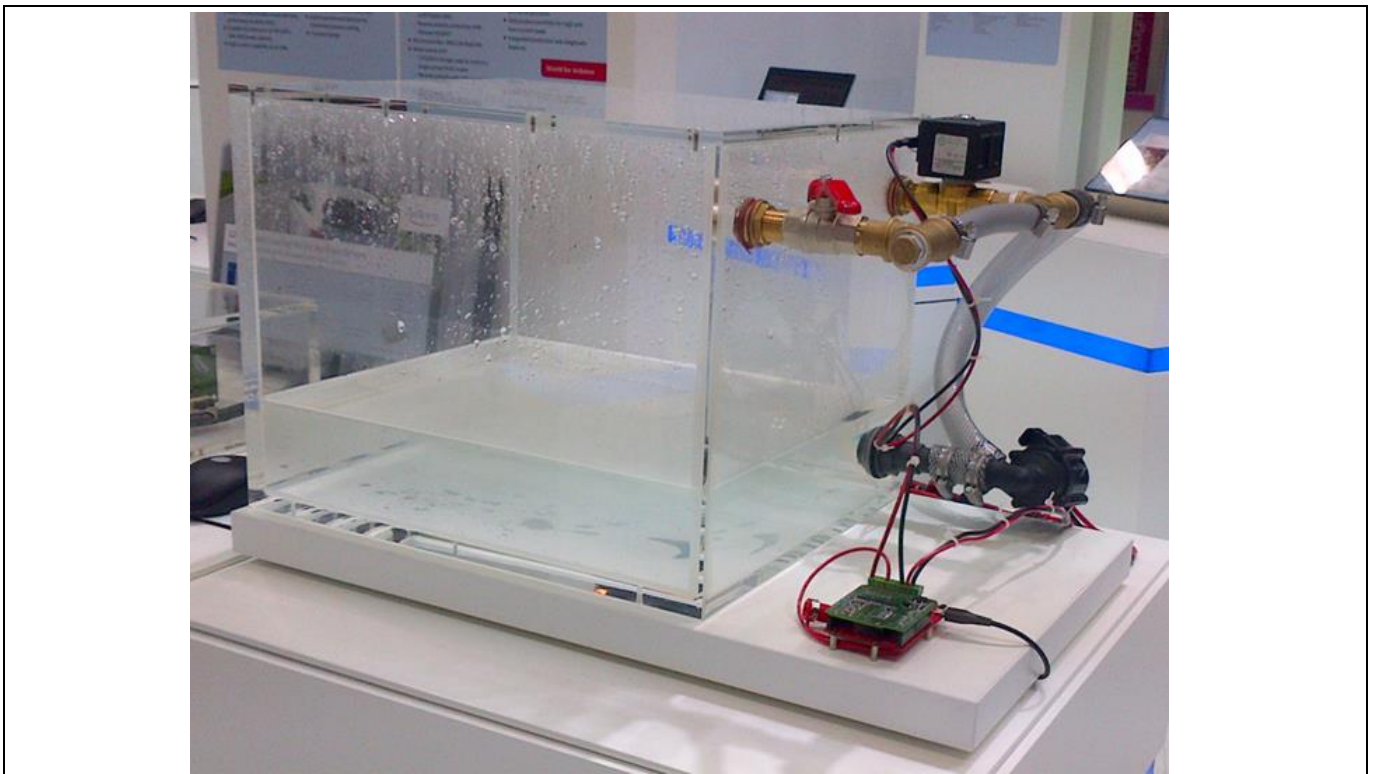


Figure 2 24V Protected Switch Shield driving a valve and water pump

1.3 Block diagram of an automotive light control

Figure 3 depicts the Block diagram of the 24V Protected Switch shield. The IS pins of all 3 devices used for the current sensing could be connected to a single analog digital converter at the μC . But for simplification each IS pin is connected to an own analog digital converter. The microcontroller and its power supply are not part of the shield.

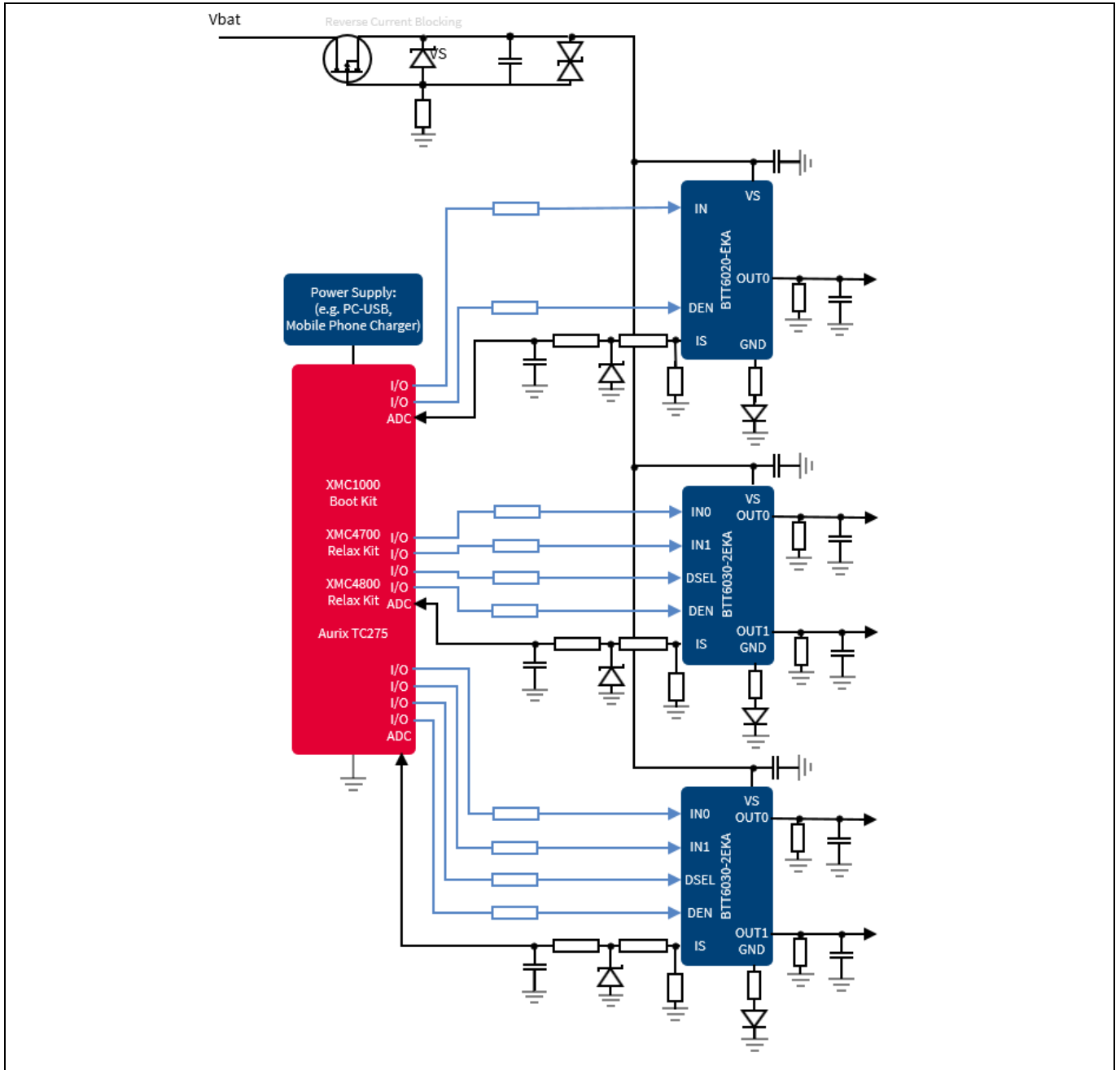


Figure 3 Application circuit for a 5 channel automotive light control with BTT6030-2EKA

2 24V Protected Switch Shield board description

For a safe and sufficient functionality, discrete components are necessary. Refer to the Datasheet to check which components are needed.

Figure 4, Figure 5 and Figure 6 show the schematics plus the corresponding layout of the 24V Protected Switch Shield. The Bill Of Material (BOM) can be found in Figure 7Figure 7.

2.1 Schematics

In Figure 4 the schematics of the 24V Protected Switch Shield is shown. The schematics are based on the application circuit in the BTT6030-2EKA Datasheet.

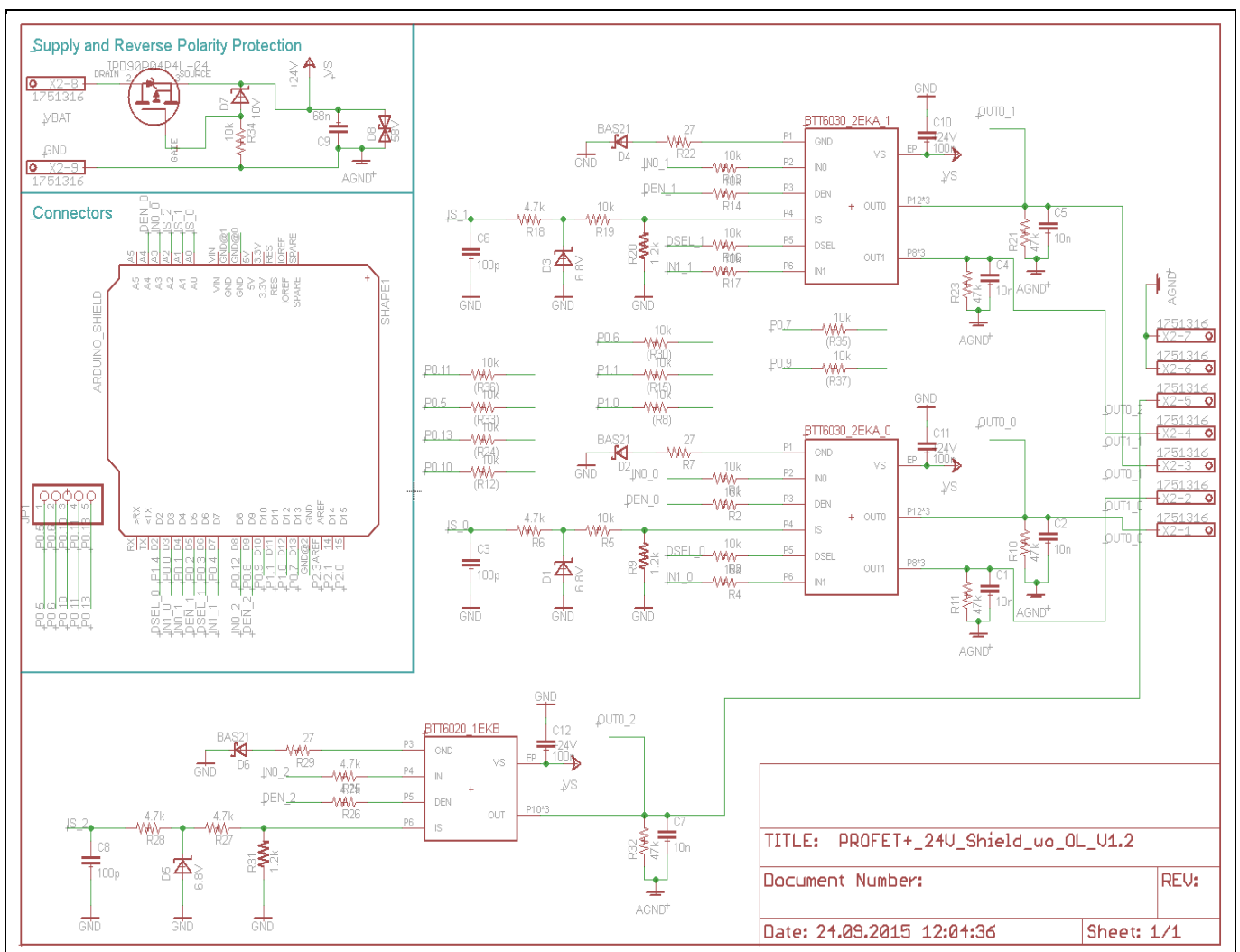


Figure 4 Schematics 24V Protected Switch Shield with PROFET™+ 24V for Arduino

2.2 Layout

Figure 5 and Figure 6 show the layout of the 24V Protected Switch Shield.

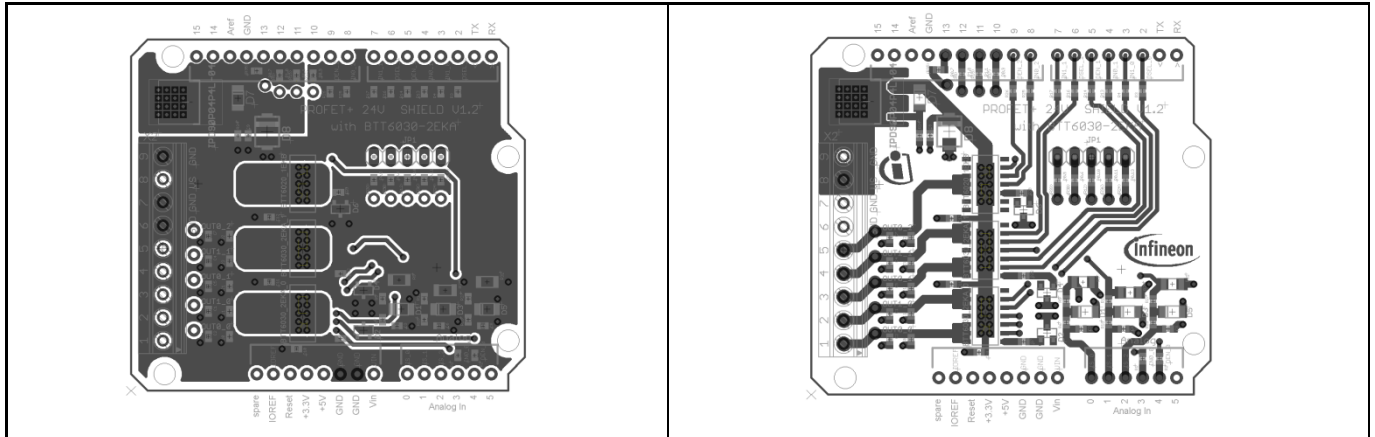


Figure 5 24V Protected Switch Shield – Bottom and top layers

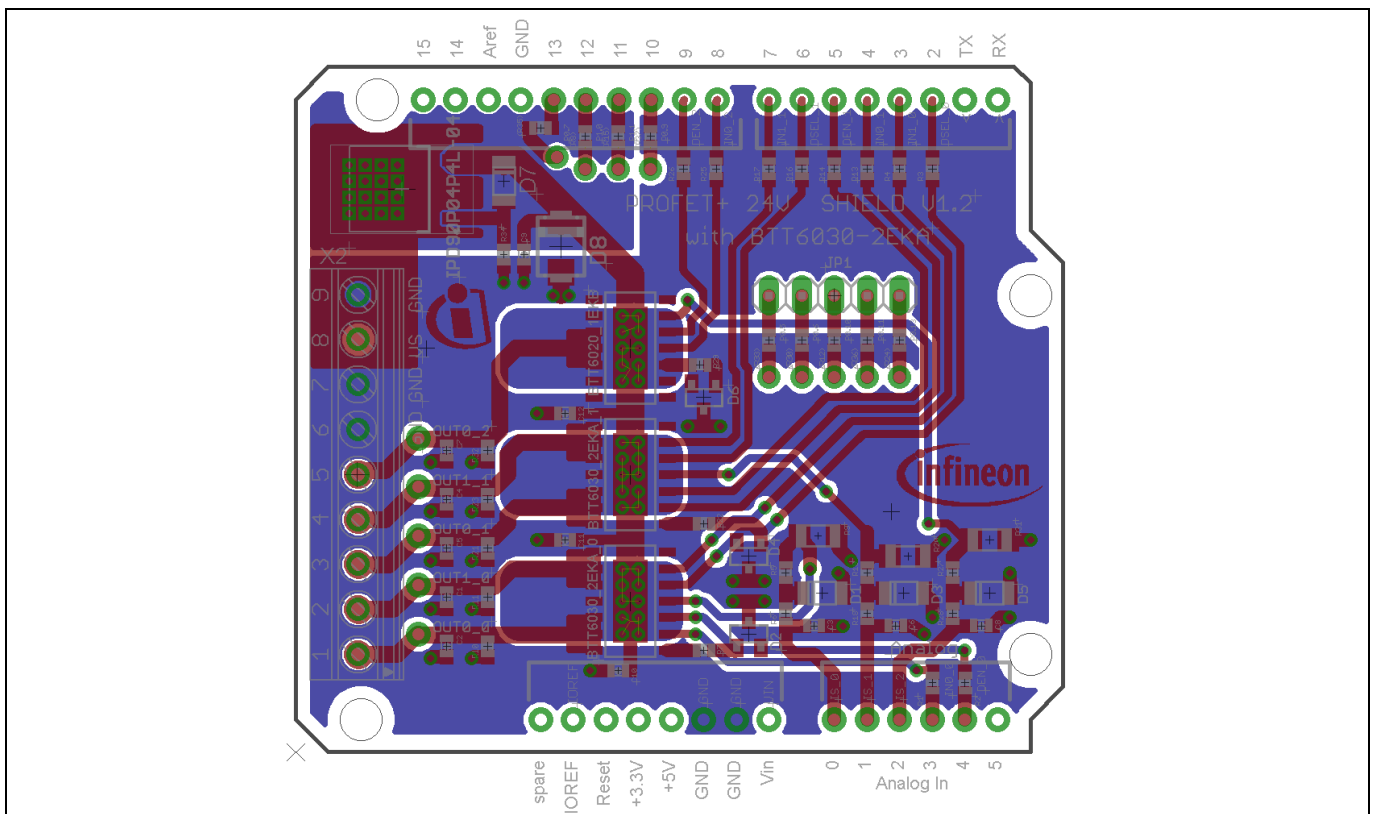


Figure 6 24V Protected Switch Shield with PROFET™+ 24V for Arduino – Layout

Part	Value	Device	Package	Description	Descrip: Qty	Place_YES/NO	Provided	Distributor	Order number	Weblink
EXAMPLE: C19, C4, C22, C21, C12, C16, C7, C6, C24, C1, C9, C27				CAPACITOR, European symbol	12	YES	YES			
C1, C2, C4, C5, C7	10n /50V	CAPO603-CAP	0603-CAP	Capacitor	5	yes				
C3, C6, C8	100p /50V	CAPO603-CAP	0603-CAP	Capacitor	3	yes				
C9	68n /50V	CAPO603-CAP	0603-CAP	Capacitor	1	yes		Farnell Best. Nr.: 1414650RL		
C10, C11, C12	100n /50V	CAPO603-CAP	0603-CAP	Capacitor	3	yes		beta		
D1, D3, D5	6.8V	SMD-PACKAGES_ZMM	SMD-PACKAGES_SOD80	Zener Diode Silicon Schottky	3	yes		Farnell Best.Nr.: 1097205RL		
D2, D4, D6	BAS21	BAS21	SOT23	Diode	3	yes				
D7	10V	SMD-PACKAGES_ZMM	SMD-PACKAGES_SOD80	Zener Diode	1	yes		Farnell Best.Nr.: 1081361		
D8	58V	Supressor Diode	SMA	Supressor	1	yes		Farnell Best.Nr.: 1579006RL		
IPD50P04P4L	HW_INFINEON_IPD50P04P4L-11	HW_INFINEON_IPD50P04P4L-11	TO-252-3-313-L	MOSFET	1	yes	yes			
R1, R2, R3, R4, R5, R13, R14, R16, R17, R19, R34	10k	RESISTOR0603-RES	0603-RES	Resistor	11	yes				
R6, R18, R25, R26, R27, R28	4.7k	RESISTOR0603-RES	0603-RES	Resistor	6	yes				
R7, R22, R29	0.027k	RESISTOR0603-RES	0603-RES	Resistor	3	yes				
R9, R20, R31	1.2k	RESISTOR 1206	R1206	Resistor	3	yes				
R10, R11 R21, R23, R32	47k	RESISTOR0603-RES	0603-RES	Resistor	5	yes				
BTT6030_2EKA	INFINEON_BTSS030-2EKA	INFINEON_BTSS030-2EKA	IFX_PG_DSO_14_40_EP	2Ch PROFET+24V	2	yes	yes			
BTT6020_1EKA	INFINEON_BTSS020-1EKA	INFINEON_BTSS020-1EKA	IFX_PG_DSO_14_47_EP	1Ch PROFET+24V	1	yes	yes			
(R8), (R12), (R15), (R24), (R30), (R33) R(35), R(36), R(37)	10k	RESISTOR0603-RES	0603-RES	Resistor	9	no				
X2				MKDS 1/ 8-3,5 TERMINAL BLOCK PLUGGABLE, 8 POSITION	1	yes		Farnell Order Nr.: 1787882		
JP1		PINH-1X5	1X05	5-pin 2.54mm male long header	1	yes		Farnell Order Nr.: 1593414		
Arduino Pins				6-pin 2.54mm male long header	1	yes		Farnell Order Nr.: 1593415		
Arduino Pins				8-pin 2.54mm male long header	2	yes		Farnell Order Nr.: 1593416		
Arduino Pins				10-pin 2.54mm male long header	1	yes		Farnell Order Nr.: 1593417		

Figure 7 24V Protected Switch Shield with PROFET™+ 24V for Arduino – Bill of Material (BOM)

2.3 Pin assignment

To use the 24V Protected Switch Shield the necessary control signals can be applied directly at the connectors. There is no need to use a microcontroller compatible with Arduino or XMC 1100 Boot Kit to get the 24V Protected Switch Shield into an application. The control pins are logic level inputs which can be driven by any other microcontroller or with logic level signals. Besides the supply voltage V_{bat} has to be provided to the V_{bat} connector. Figure 8 shows the pinout/connectors of the 24V Protected Switch Shield.

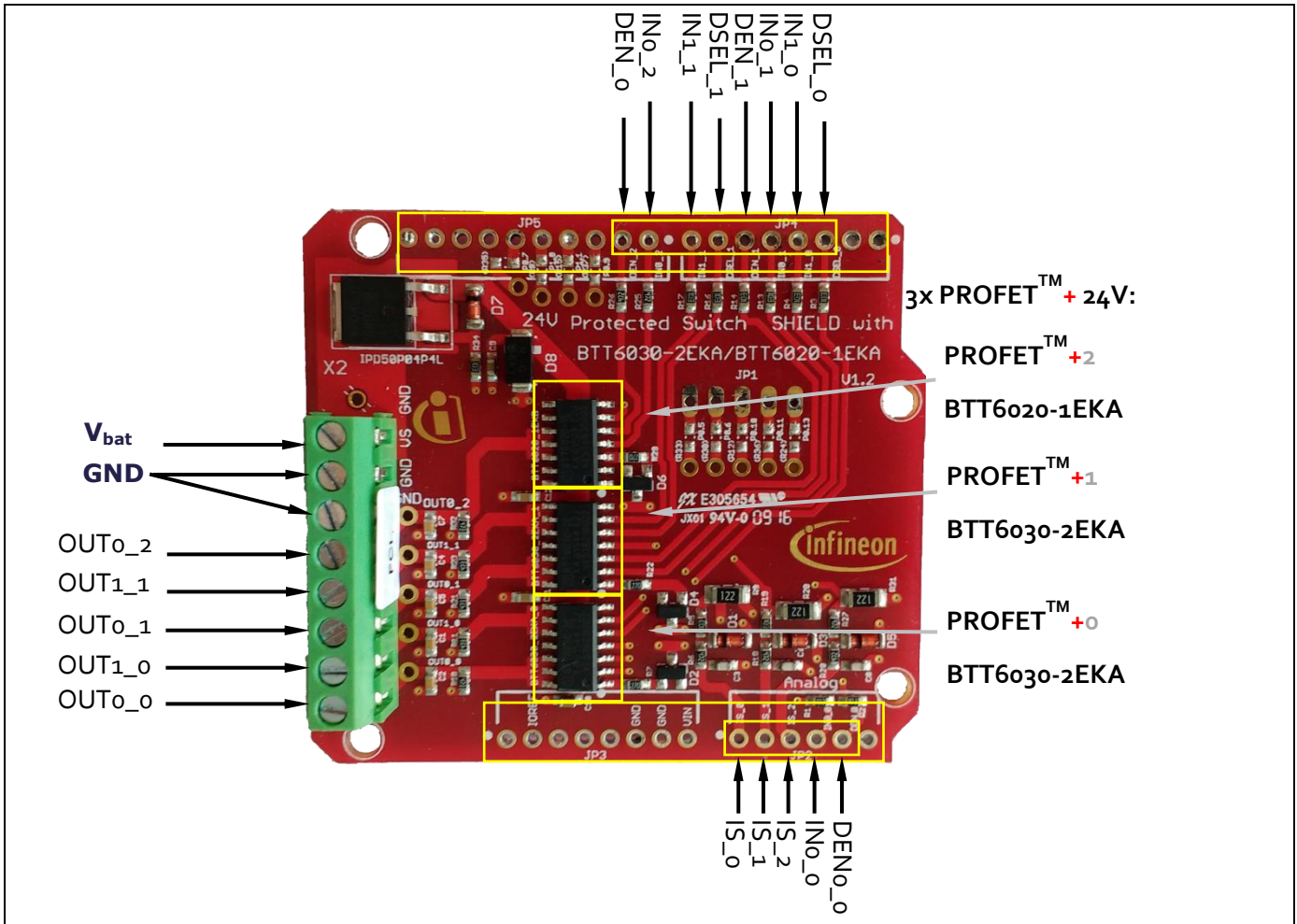


Figure 8 24V Protected Switch Shield connectors

2.4 Pin definitions and functions

Table 1

Pin	Symbol	I/O	Function
GND	GND	-	Ground
D2	DSEL_o	I	Diagnostic select PROFET™ + o Selects if the diagnosis of channel 0 or 1 is muxed to the IS Pin (PROFET™ + o)
D3	IN1_o	I	Input 1 PROFET™ + o Input to switch channel 1 on PROFET™ + o
D4	INo_1	I	Input o PROFET™ + 1 Input to switch channel o on PROFET™ + 1

D5	DEN_1	I	Diagnosis enable PROFET™+ 1 Turns diagnosis for PROFET™+ 1 on or off
D6	DSEL_1	I	Diagnostic select PROFET™+ 1 Selects if the diagnosis of channel 0 or 1 is muxed to the IS Pin (PROFET™+ 1)
D7	IN1_1	I	Input 1 PROFET™+ 1 Input to switch channel 1 on PROFET™+ 1
D8	INo_2	I	Input PROFET™+ 2 Input to switch channel on PROFET™+ 2
D9	DEN_2	I	Diagnosis enable PROFET™+ 2 Turns diagnosis for PROFET™+ 2 on or off
A0	IS_o	O	Sense PROFET™+ 0 Current sense of PROFET™+ 0
A1	IS_1	O	Sense PROFET™+ 1 Current sense of PROFET™+ 1
A2	IS_2	O	Sense PROFET™+ 2 Current sense of PROFET™+ 2
A3	INo_o	I	Input 0 PROFET™+ 0 Input to switch channel 0 on PROFET™+ 0
A4	DEN_o	I	Diagnosis enable PROFET™+ 0 Turns diagnosis for PROFET™+ 0 on or off
OUTy_x	OUTy_x	O	Power output of channel y on PROFET™+ x
V _{bat}	V _S	-	Supply

3 BTT6030-2EKA overview

The BTT6030-2EKA is a 32 mΩ dual channel Smart High-Side Power Switch, embedded in a PG-DSO-14-40 EP, Exposed Pad package, providing protective functions and diagnosis. The power transistor is built by an N-channel vertical power MOSFET with charge pump. The device is integrated in Smart6 HV technology. It is specially designed to drive lamps up to 2 x P21 W 24 V or 1 x 70 W 24 V, as well as LEDs in the harsh automotive environment. For details please refer to the [Datasheet](#).

3.1 Key features of the BTT6030-2EKA PROFET™+24V

- Two channel device
- Very low stand-by current
- 3.3 V and 5 V compatible logic inputs
- Electrostatic discharge protection (ESD)
- Optimized electromagnetic compatibility
- Logic ground independent from load ground
- Very low power DMOS leakage current in OFF state
- Green product (RoHS compliant)
- AEC qualified



Figure 9 PG-DSO-14-40EP

3.2 Block diagram

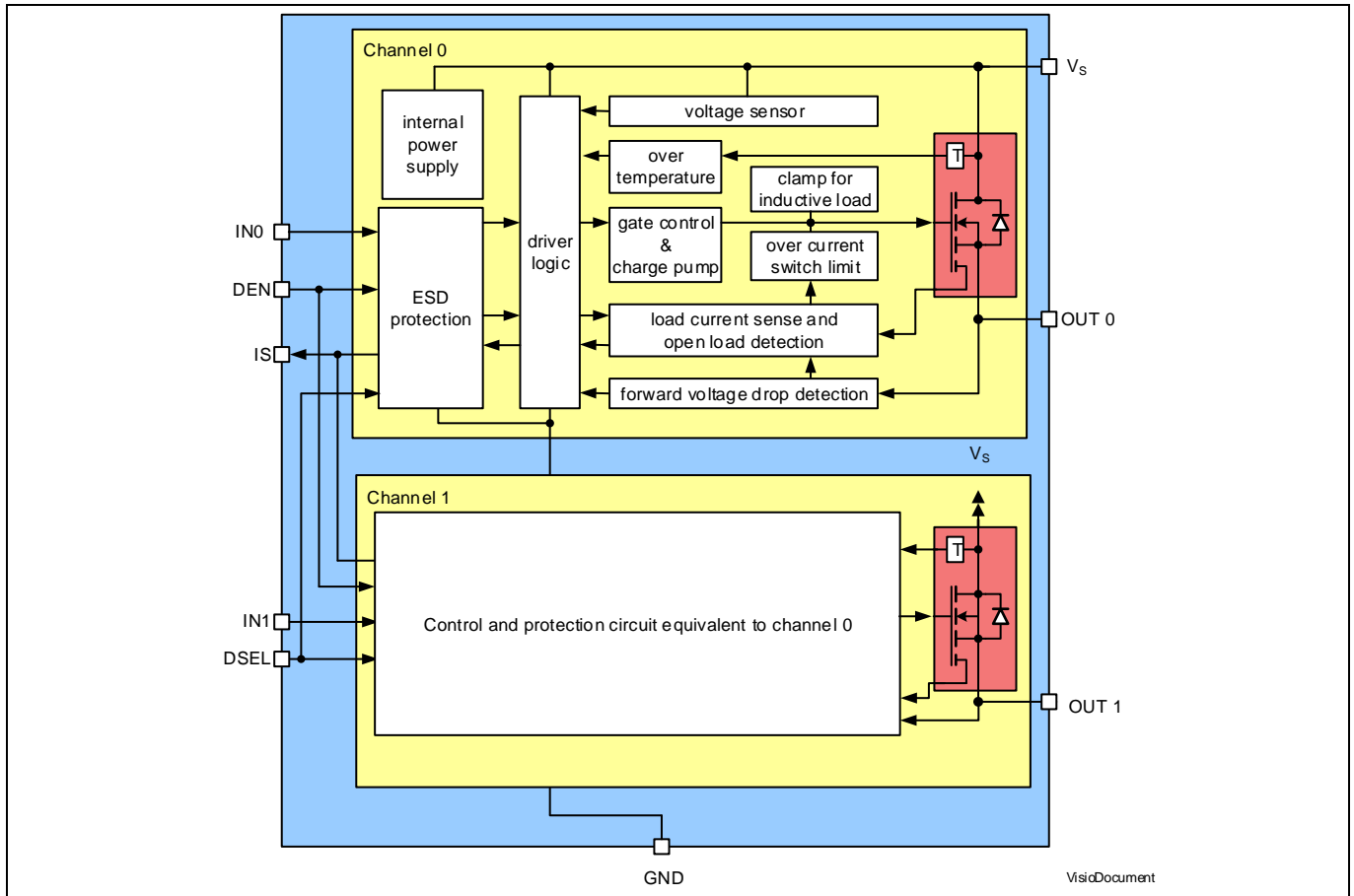


Figure 10 Block diagram BTT6030-2EKA

3.3 Pin assignment

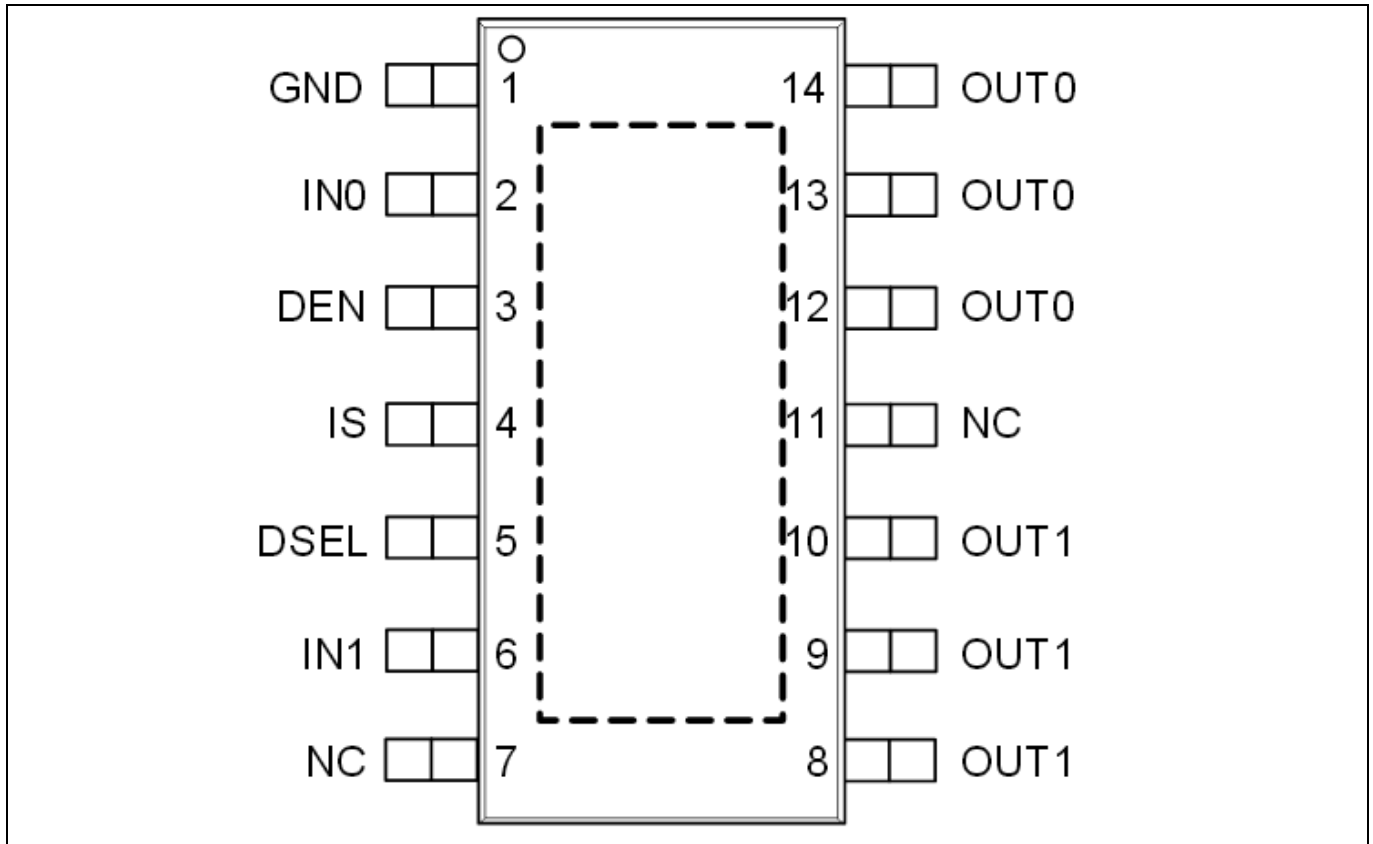


Figure 11 Pin assignment BTT6030-2EKA (top view)

3.4 Pin definitions and functions BTT6030-2EKA

Table 2

Pin	Symbol	Function
1	GND	Ground
2	IN0	INput channel 0 ; Input signal for channel 0 activation
3	DEN	Diagnostic ENable ; Digital signal to enable/disable the diagnosis of the device
4	IS	Sense ; Sense current of the selected channel
5	DSEL	Diagnostic SElection ; Digital signal to select the channel to be diagnosed
6	IN1	INput channel 1 ; Input signal for channel 1 activation
7, 11	NC	Not Connected ; No internal connection to the chip
8, 9, 10	OUT1	OUTput 1 ; Protected high side power output channel 1
12, 13, 14	OUT0	OUTput 0 ; Protected high side power output channel 0
Cooling Tab	V _S	Voltage Supply ; Battery voltage

4 BTT6020-1EKA overview

The BTT6020-1EKA is a 20 mΩ single channel Smart High-Side Power Switch, embedded in a PG-DSO-14-47 EP, Exposed Pad package, providing protective functions and diagnosis. The power transistor is built by an N-channel vertical power MOSFET with charge pump. The device is integrated in Smart6 technology. It is specially designed to drive lamps up to 5 x P21 W 24 V or 1 x 70 W 24 V, as well as LEDs in the harsh automotive environment. For details please refer to the Datasheet.

4.1 Keyfeatures of the BTT6030-2EKA PROFET™ +24V

- One channel device
- Very low stand-by current
- 3.3 V and 5 V compatible logic inputs
- Electrostatic discharge protection (ESD)
- Optimized electromagnetic compatibility
- Logic ground independent from load ground
- Very low power DMOS leakage current in OFF state
- Green product (RoHS compliant)
- AEC qualified



Figure 12 PG-TO263-7-1

4.2 Block diagram

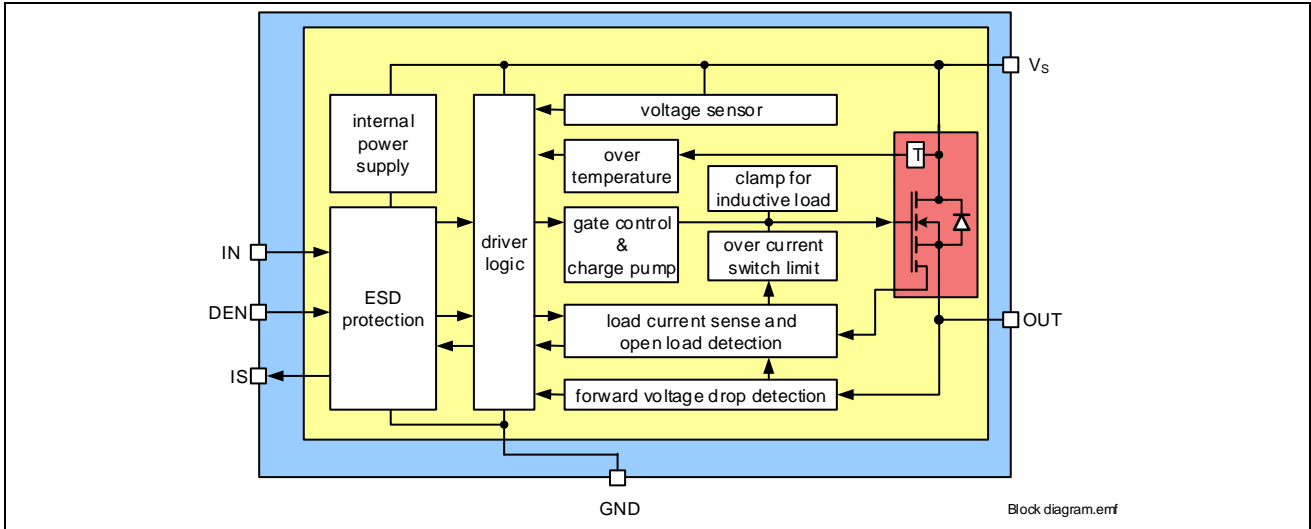


Figure 13 Block diagram BTT6020-1EKA

4.3 Pin assignments

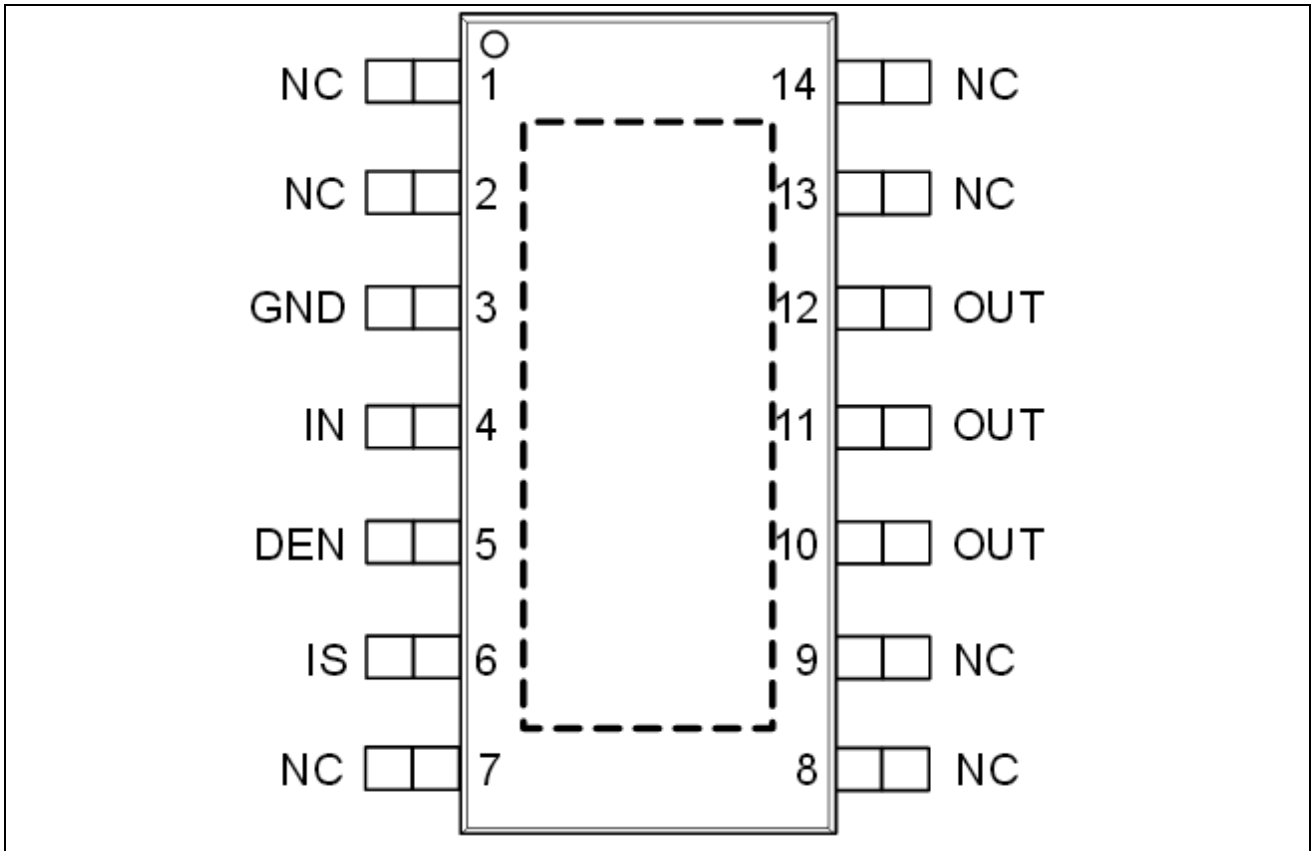


Figure 14 Pin assignment BTT6020-1EKA (top view)

4.4 Pin assignments

Table 3

Pin	Symbol	Function
1, 2, 7, 8, 9, 13, 14	NC	Not Connected ; No internal connection to the chip
3	GND	Ground
4	IN	IN put channel; Input signal for channel activation
5	DEN	Diagnostic ENable ; Digital signal to enable/disable the diagnosis of the device
6	IS	Sense ; Sense current of the selected channel
10, 11, 12	OUT	OUT put; Protected high side power output channel
Cooling Tab	V _S	Voltage Supply ; Battery voltage

5 Getting Started

5.1 Target applications

The application targeted by the BT60xx devices is driving lamps in 24V Trucks and Transportation systems. Besides lamps any other inductive, resistive and capacitive load within the electrical characteristics of the PROFET™+24V can be driven by the BT60xx. In the 24V Protected Switch Shield two BTT6030-2EKA and one BTT6020-1EKA are used. Each channel of the BTT6030 is capable of driving up to 4 A (both channels active). The single channel of the BTT6020 is capable of driving up to 7 A. The limited thermal performance of the Shield PCB limits the recommended maximum current to 5 A.

5.2 Typical target applications

With the 24V Protected Switch Shield up to five 24 V loads can be driven. The switches are controlled via the INx (Input x) pins. The BTT60xx also provide a sense current at the IS pin. The Shield provides a fast and easy access to 24 V load switching up to $1 \times 5 \text{ A} + 4 \times 4 \text{ A}$.

5.2.1 Getting started: Shield

- Choose loads compatible within the electrical characteristics in the Datasheets of the BTT60xx
 - E.g. $1 \times 70 \text{ W}$ 24 V lamp and $4 \times 21 \text{ W}$ 24 V lamps (Truck bulbs)
- Choose a DC adapter. The nominal input of the Shield is 8 – 36 V DC. Maximum Voltage is 48 V
- Connect the Shield to Arduino Uno R3 or XMC 1100 Boot Kit.
- Connect power supply (5 V) to the Arduino Uno R3 or XMC 1100 Boot Kit (Micro USB). For the XMC Boot Kit a standard mobile phone charger can be used.
- Program the controller board with the lamp switching software (see 5.2.2).
- Connect the Out connectors of the shield
 - 70 W to OUTo_2
 - 21 W to Outo_1, Out 1_1, Out o_0 and Out 1_1
- Connect the DC adapter to the Power Shield (V_{bat} , GND).

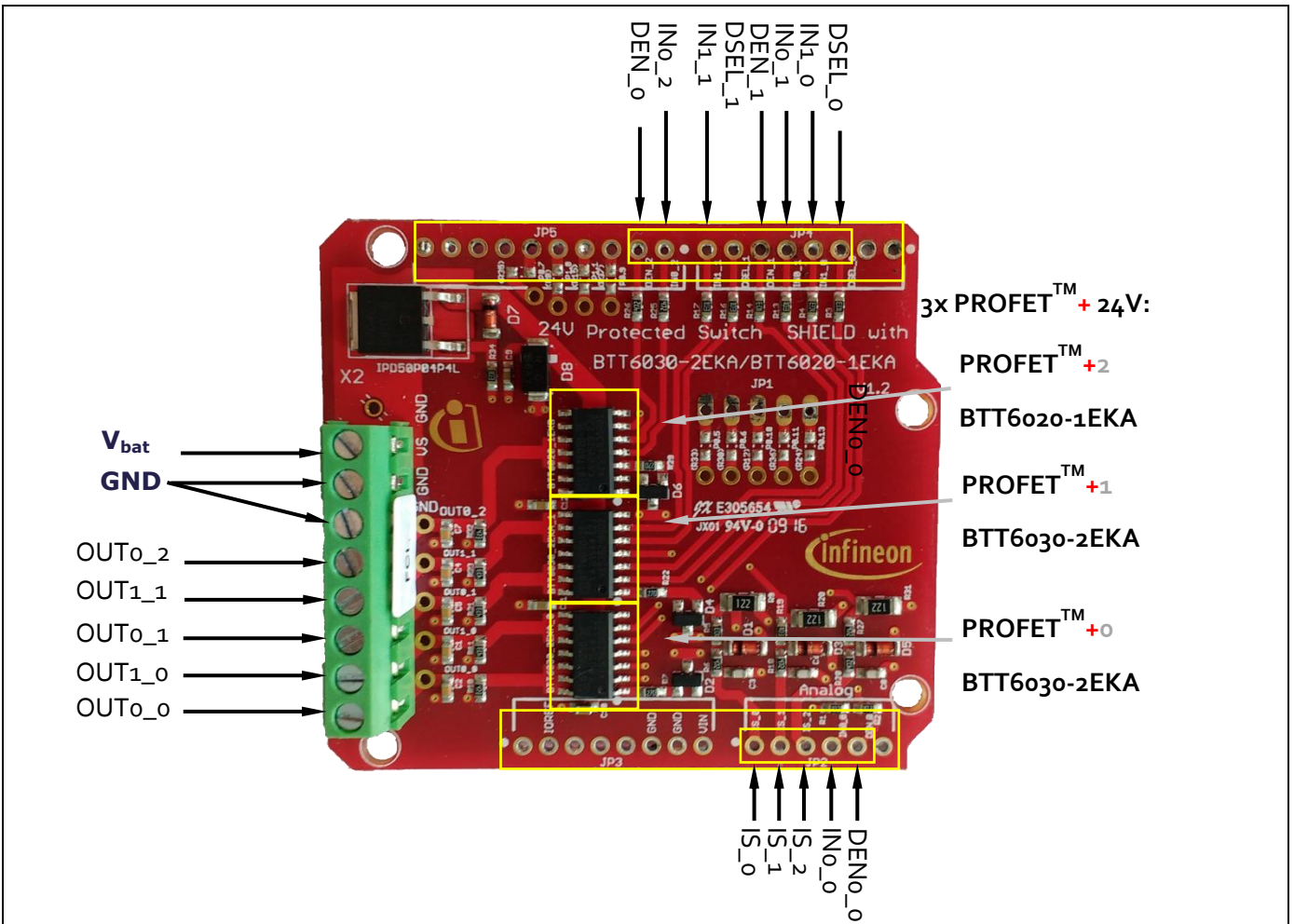


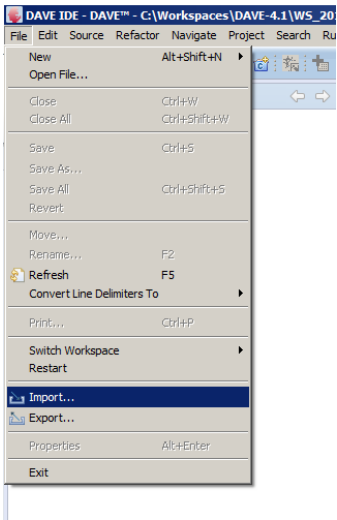
Figure 15 24V Protected Switch Shield connectors

5.2.2 Getting started: Software

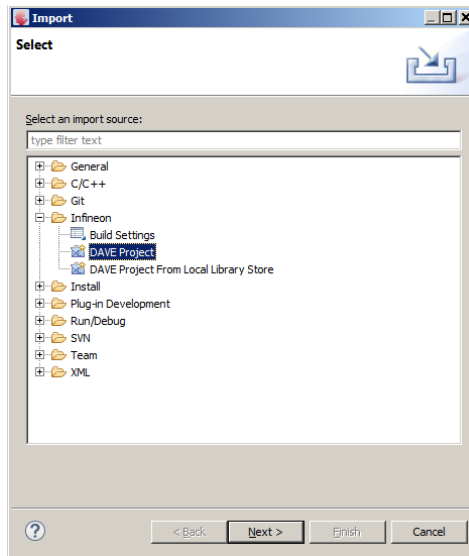
A simple example software for the XMC1100 Boot Kit is provided.

- Connect the XMC 1100 Boot Kit with a micro USB cable to the USB port of your PC.
- Download and install DAVE™ - Free Development Platform for Code Generation from the Infineon website [DAVE™](#). Download the software example from the Infineon website: [Infineon-24V_ProtectedSwitchShield_with_Profet+24V_for_Arduino_DAVE_Example_V10.zip-SW-v01_00-EN.zip](#)
- Start DAVE™ and import project file "Infineon-24V_ProtectedSwitchShield_with_Profet+24V_for_Arduino_DAVE_Example_V10.zip-SW-v01_00-EN.zip":

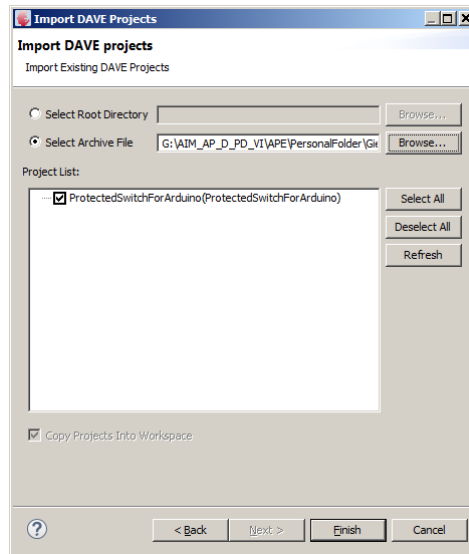
1: Select File → Import:



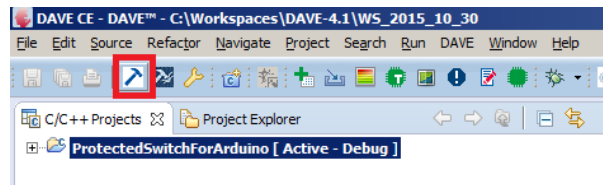
2: Choose Infineon → DAVE Project:



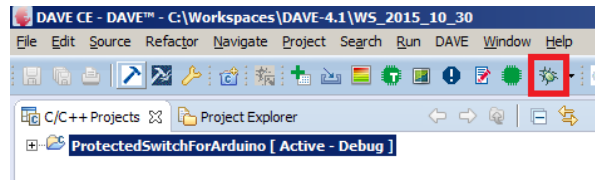
3: Select archive file → Browse for the downloaded file → select the project → click finish:



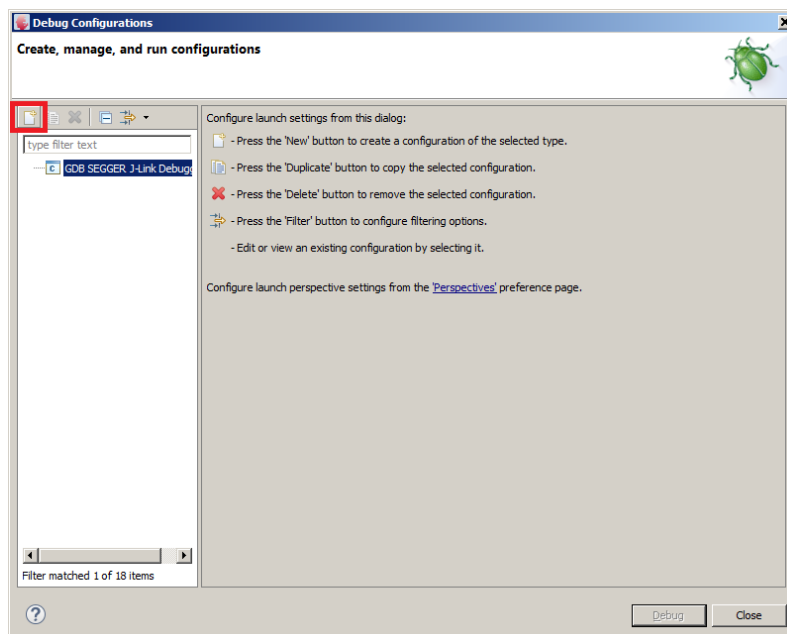
4: Build the code:



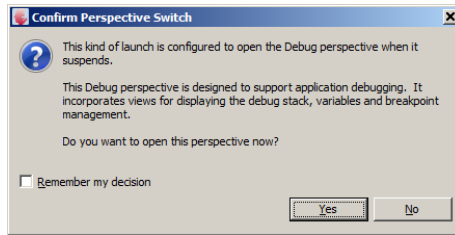
5: Start the Debugger



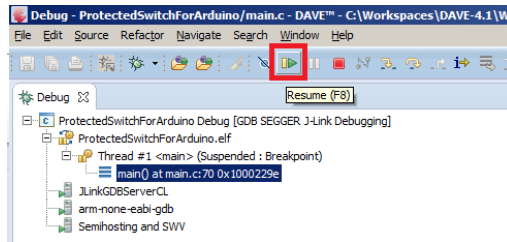
6: The first time you start the Software a new debug configuration needs to be created. Select the GDB SEGGER J-Link Debugger and click on new launch configuration. Keep all default values and click on Debug



7: Confirm the perspective switch



8: Run the code → the loads will be powered via PWM

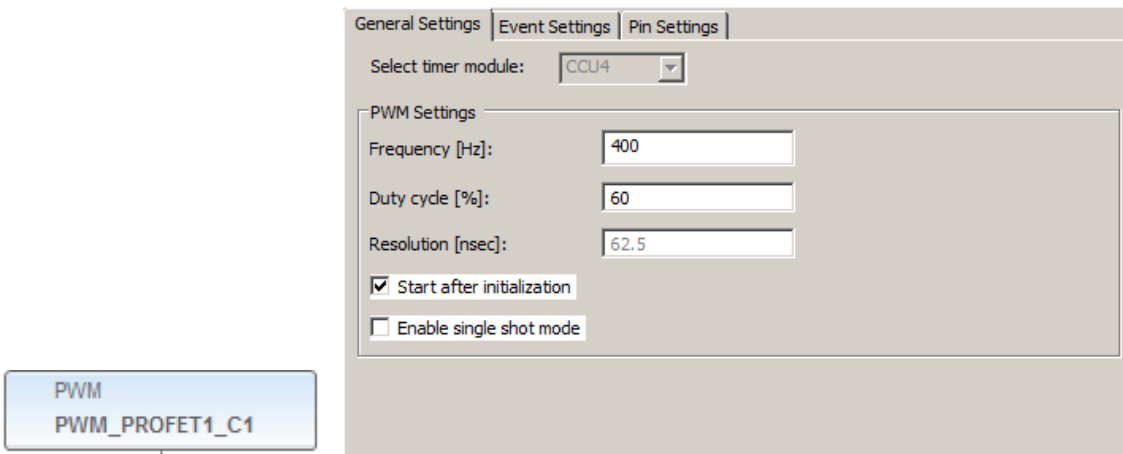


5.2.3 Software hints

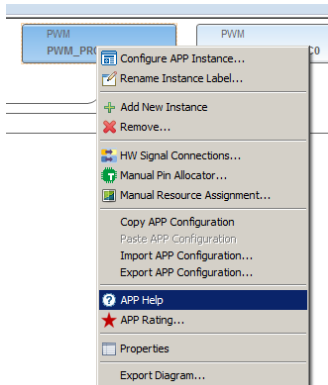
The Software will drive the 5 channels in different PWM configurations. Here is the mapping between Profet channel and PWM configuration:

Channel	Dutycycle	Frequency
PROFETo Channel 0	100%	---
PROFETo Channel 1	50%	200Hz
PROFET1 Channel 0	75%	320Hz
PROFET1 Channel 1	60%	400Hz
PROFET2	80%	120Hz

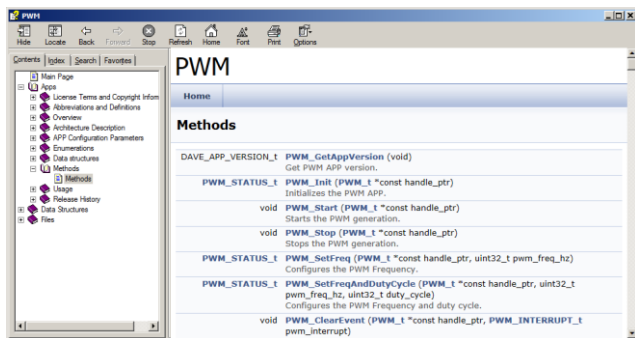
These values can be changed either via double click on the corresponding PWM APP:



Or during runtime using the API. To get information about the API right click on the APP and select APP Help:



The Help will open in a new Window. Selecting Apps → Methods shows a documentation of all available methods for this type of APP.



The Software does not only drive the loads in PWM. It also measures continuously the Sense signal and calculates out of it the load current during the high phase of the PWM period. The calculated currents are then stored in global variables enabling the user to process the values in his code e.g. for a protection strategy or to calculate the power consumption. For more details on how the load current is calculated check the documentation in the code. The provided software is an example and is not a reference software.



Revision History

Major changes since the last revision

Page or Reference	Description of change
V 1.0	Created the document

Trademarks of Infineon Technologies AG

AURIX™, C166™, CanPAK™, CIPOS™, CoolGaN™, CoolMOS™, CoolSET™, CoolSiC™, CORECONTROL™, CROSSAVE™, DAVE™, DI-POL™, DrBlade™, EasyPIM™, EconoBRIDGE™, EconoDUAL™, EconoPACK™, EconoPIM™, EiceDRIVER™, eupec™, FCOS™, HITFET™, HybridPACK™, Infineon™, ISOFACE™, IsoPACK™, i-Wafer™, MIPAQ™, ModSTACK™, my-d™, NovalithIC™, OmniTune™, OPTIGA™, OptiMOS™, ORIGA™, POWERCODE™, PRIMARION™, PrimePACK™, PrimeSTACK™, PROFET™, PRO-SiL™, RASIC™, REAL3™, ReverSave™, SatRIC™, SIEGET™, SIPMOS™, SmartLEWIS™, SOLID FLASH™, SPOC™, TEMPFET™, thinQ!™, TRENCHSTOP™, TriCore™.

Trademarks updated August 2015

Other Trademarks

All referenced product or service names and trademarks are the property of their respective owners.

Edition <2016-07-19>

Published by

Infineon Technologies AG

81726 Munich, Germany

© 2016 Infineon Technologies AG.

All Rights Reserved.

Do you have a question about this document?

Email: erratum@infineon.com

Document reference
AppNote Number

IMPORTANT NOTICE

The information contained in this application note is given as a hint for the implementation of the product only and shall in no event be regarded as a description or warranty of a certain functionality, condition or quality of the product. Before implementation of the product, the recipient of this application note must verify any function and other technical information given herein in the real application. Infineon Technologies hereby disclaims any and all warranties and liabilities of any kind (including without limitation warranties of non-infringement of intellectual property rights of any third party) with respect to any and all information given in this application note.

The data contained in this document is exclusively intended for technically trained staff. It is the responsibility of customer's technical departments to evaluate the suitability of the product for the intended application and the completeness of the product information given in this document with respect to such application.

For further information on the product, technology, delivery terms and conditions and prices please contact your nearest Infineon Technologies office (www.infineon.com).

WARNINGS

Due to technical requirements products may contain dangerous substances. For information on the types in question please contact your nearest Infineon Technologies office.

Except as otherwise explicitly approved by Infineon Technologies in a written document signed by authorized representatives of Infineon Technologies, Infineon Technologies' products may not be used in any applications where a failure of the product or any consequences of the use thereof can reasonably be expected to result in personal injury.

Данный компонент на территории Российской Федерации

Вы можете приобрести в компании MosChip.

Для оперативного оформления запроса Вам необходимо перейти по данной ссылке:

<http://moschip.ru/get-element>

Вы можете разместить у нас заказ для любого Вашего проекта, будь то серийное производство или разработка единичного прибора.

В нашем ассортименте представлены ведущие мировые производители активных и пассивных электронных компонентов.

Нашей специализацией является поставка электронной компонентной базы двойного назначения, продукции таких производителей как XILINX, Intel (ex.ALTERA), Vicor, Microchip, Texas Instruments, Analog Devices, Mini-Circuits, Amphenol, Glenair.

Сотрудничество с глобальными дистрибьюторами электронных компонентов, предоставляет возможность заказывать и получать с международных складов практически любой перечень компонентов в оптимальные для Вас сроки.

На всех этапах разработки и производства наши партнеры могут получить квалифицированную поддержку опытных инженеров.

Система менеджмента качества компании отвечает требованиям в соответствии с ГОСТ Р ИСО 9001, ГОСТ РВ 0015-002 и ЭС РД 009

Офис по работе с юридическими лицами:

105318, г.Москва, ул.Щербаковская д.3, офис 1107, 1118, ДЦ «Щербаковский»

Телефон: +7 495 668-12-70 (многоканальный)

Факс: +7 495 668-12-70 (доб.304)

E-mail: info@moschip.ru

Skype отдела продаж:

moschip.ru

moschip.ru_4

moschip.ru_6

moschip.ru_9