

**PLEASE CHECK WWW.MOLEX.COM FOR LATEST PART INFORMATION**

**Part Number:** [0003066043](#)  
**Status:** **Active**  
**Overview:** [standard\\_062](#)  
**Description:** 1.57mm (.062") Diameter Standard .062 Pin and Socket Receptacle Housing, Dual row, with Panel Mount Ears, PA Polyamide Nylon 6/6, UL 94V-2, 4 Circuits, Black

**Documents:**

[3D Model](#) [RoHS Certificate of Compliance \(PDF\)](#)  
[Drawing \(PDF\)](#)

**Agency Certification**

CSA LR19980  
 UL E29179

**General**

Product Family Crimp Housings  
 Series [2004](#)  
 Overview [standard\\_062](#)  
 Product Name Standard .062"

**Physical**

Circuits (maximum) 4  
 Circuits Detail (2 x 2)  
 Color - Resin Natural  
 Flammability 94V-2  
 Gender Female  
 Glow-Wire Compliant No  
 Lock to Mating Part Yes  
 Material - Resin Nylon  
 Number of Rows 2  
 Packaging Type Bag  
 Panel Mount Yes  
 Pitch - Mating Interface (in) 0.145 In  
 Pitch - Mating Interface (mm) 3.68 mm  
 Polarized to Mating Part Yes  
 Stackable No  
 Temperature Range - Operating -40°C to +105°C

**Electrical**

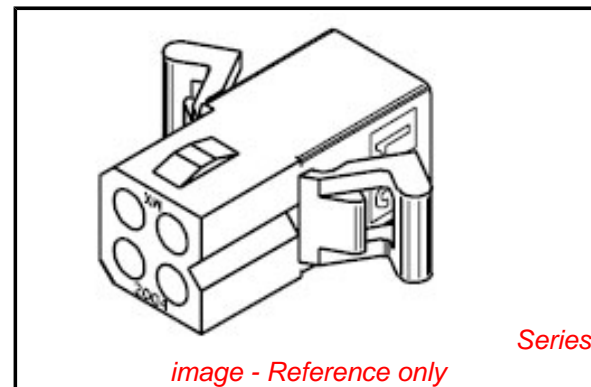
Current - Maximum per Contact 5A

**Material Info**

Old Part Number 2004-RBK

**Reference - Drawing Numbers**

Sales Drawing SD-2004-\*



**EU RoHS**

**ELV and RoHS Compliant**  
**REACH SVHC**  
 Not Reviewed  
**Halogen-Free Status**  
**Not Reviewed**

**China RoHS**



**Need more information on product environmental compliance?**

Email [productcompliance@molex.com](mailto:productcompliance@molex.com)  
 For a multiple part number RoHS Certificate of Compliance, [click here](#)

Please visit the [Contact Us](#) section for any non-product compliance questions.

**Search Parts in this Series**

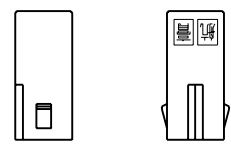
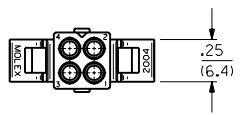
[2004Series](#)

**Mates With**

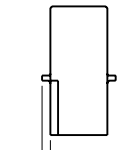
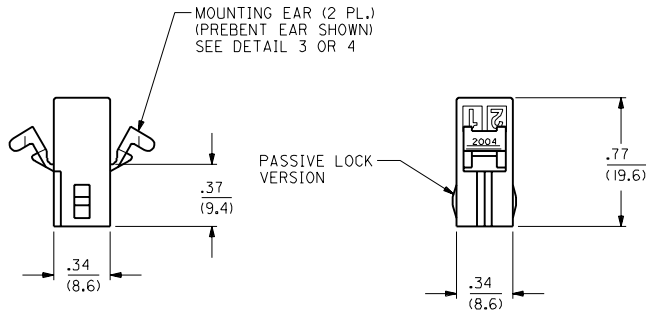
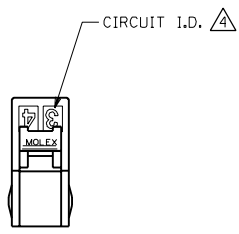
[03-06-7044 Free Hanging Plug \(Black\)](#)

**Use With**

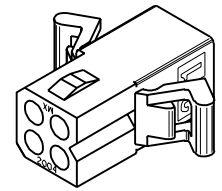
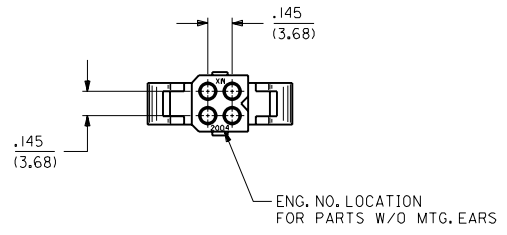
[1560](#) male crimp terminals, [1561](#) female crimp terminals, [4559](#) , [4529](#) , [2190](#) , [2189](#) , [1787](#) female crimp terminals, [1786](#) male crimp terminals, [1854](#) male crimp terminals, [1855](#) female crimp terminals, [1778](#) male PC tail terminals, [1779](#) female PC tail terminals



**DETAIL 1**  
 POSITIVE LOCK VERSION  
 ENG. NO. 2004-R5\*



ALLOWANCE OF  $\frac{.000}{.060}$  (2 PL.) FOR CUT OFF OF MOUNTING EARS  
 $\frac{(0.00/1.52)}$   
**DETAIL 2**  
 RECEPTACLE WITHOUT EARS OR DETENTS, ENG. NO. 2004-R3\*



**RECEPTACLE HOUSING**

DIMENSIONS SHOWN METRIC INCH		▽ = 0 ▼ = 0		REVISE ONLY ON CAD SYSTEM	
UNLESS OTHERWISE SPECIFIED TOLERANCES: ANGULAR ± .0010		TITLE		PLUG AND RECEPTACLE HOUSINGS, 4 CIRCUIT .062/(1.57) DIA.	
INCH METRIC		FILE NAME		MOLEX INCORPORATED	
3 PLACE ± .010 ---		H2004C4		SHEET NO. 2 DATE 8/27/91	
2 PLACE ± .014 ± 0.25		S05		L15LEJLL 60532 U.S.A.	
1 PLACE --- ± 0.36		SCALE		DRAWING NO. SD-2004-*	
DRAFT WHERE APPLICABLE MUST REMAIN WITHIN DIMENSIONS		4: 1		SEE CHART	
DRWG. BY GAC		DRWG. BY RW		DIV. CP	
APP'D. BY RS		SCALE 4: 1		SIZE C	
LTR.	REVISIONS	LTR.	REVISIONS		
	I SEE SHEET I				

PLUG		
PART NO.	ENG. NO.	
03-06-2043	2004-P	
03-06-7043	2004-PBK	
03-06-2044	2004-PI	
03-06-7044	2004-PIBK	
PRELIMINARY	2004-P2	
03-06-7045	2004-PIRD	<b>OBSOLETE</b>
03-06-7046	2004-PIBN	<b>OBSOLETE</b>
03-06-7047	2004-PIOR	<b>OBSOLETE</b>

RECEPTACLE		
PART NO.	ENG. NO.	
03-06-1043	2004-R	
03-06-6043	2004-RBK	
03-06-1044	2004-RI	
03-06-6044	2004-RIBK	<b>OBSOLETE</b>
03-06-1046	2004-R3	<b>OBSOLETE</b>
03-06-1052	2004-R5	<b>OBSOLETE</b>
03-06-6052	2004-R5BK	<b>OBSOLETE</b>
PRELIMINARY	2004-R2	
03-06-6045	2004-RRD	<b>OBSOLETE</b>
03-06-6046	2004-RBN	<b>OBSOLETE</b>
03-06-6048	2004-ROR	<b>OBSOLETE</b>

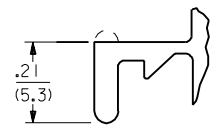
**LEGEND:**

2004-\*\*\*

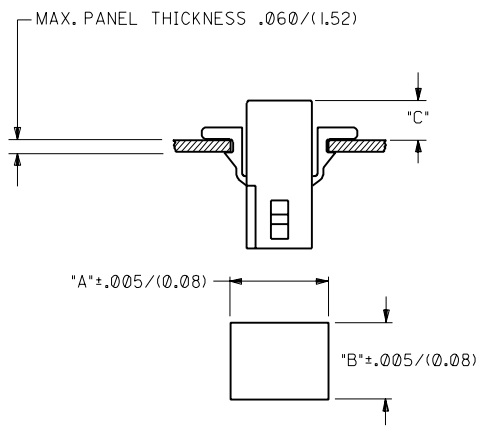
P = PLUG  
R = RECEPTACLE

BLANK = WITH STANDARD EARS  
1 = WITHOUT EARS  
2 = WITH PREBENT EARS  
3 = W/O EARS, W/O DETENTS  
5 = W/O EARS, WITH POSITIVE LOCKS

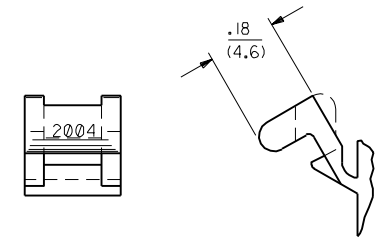
COLOR: \_\_\_\_\_  
BLANK = NATURAL  
AM=AMBER BK=BLACK BU=BLUE  
BN=BROWN GY=GRAY GN=GREEN  
OR=ORANGE RD=RED YW=YELLOW



**NOTE:**  
THIS DRAWING ENCOMPASSES ALL 2004 SERIES HOUSINGS EXCEPT 2004-R7.



- NOTES:**
- MATERIAL - NYLON TYPE 6/6, 94V-2
  - THIS PRODUCT COMPLIES WITH MOLEX PRODUCT SPEC 02-06.
  - HOUSINGS FOR USE WITH MOLEX .062/(1.57) DIA. SERIES TERMINALS.
  - CIRCUIT I.D. NUMBERS ON SIDE OF HOUSING APPEAR ON PARTS FROM TOOLS BUILT AFTER 8/26/91.
  - THIS DIMENSION .020/(0.51) LESS ON TOOLS BUILT PRIOR TO 8/26/91.



**DETAIL 4**

PREBENT MOUNTING EARS  
(SCALE 4:1)

HOUSING	DIM. "A"	DIM. "B"	PREBENT EAR DIM. "C"	STD. EAR DIM. "C"
PLUG	.615 (15.62)	.465 (11.81)	.26 (6.6)	.26 (6.6)
RECEPTACLE	.506 (12.85)	.400 (10.16)	.24 (6.1)	.24 (6.1)

REV.	DATE	BY	CHK'D.	SCALE
LTR.				

DIMENSIONS SHOWN (METRIC) INCH	
UNLESS OTHERWISE SPECIFIED TOLERANCES ANGULAR ± 10°	
3 PLACE ± .010	---
2 PLACE ± .014	± 0.25
1 PLACE ---	± 0.36
DRAFT WHERE APPLICABLE MUST REMAIN WITHIN DIMENSIONS	
DRWG. BY: JJS	CHK'D. BY: RW
APP'D. BY: RS	SCALE: 2:1

REVISE ONLY ON CAD SYSTEM

TITLE: PLUG AND RECEPTACLE HOUSINGS, 4 CIRCUIT .062/(1.57) DIA.

MOLEX INCORPORATED U.S.A. SHEET NO. 3 DATE 8/28/91

PART NO. SD-2004-#

SEE CHART

THIS DRAWING CONTAINS INFORMATION THAT IS PROPRIETARY TO MOLEX INC. AND SHOULD NOT BE USED WITHOUT WRITTEN PERMISSION.

## Данный компонент на территории Российской Федерации

### Вы можете приобрести в компании MosChip.

Для оперативного оформления запроса Вам необходимо перейти по данной ссылке:

<http://moschip.ru/get-element>

Вы можете разместить у нас заказ для любого Вашего проекта, будь то серийное производство или разработка единичного прибора.

В нашем ассортименте представлены ведущие мировые производители активных и пассивных электронных компонентов.

Нашей специализацией является поставка электронной компонентной базы двойного назначения, продукции таких производителей как XILINX, Intel (ex.ALTERA), Vicor, Microchip, Texas Instruments, Analog Devices, Mini-Circuits, Amphenol, Glenair.

Сотрудничество с глобальными дистрибьюторами электронных компонентов, предоставляет возможность заказывать и получать с международных складов практически любой перечень компонентов в оптимальные для Вас сроки.

На всех этапах разработки и производства наши партнеры могут получить квалифицированную поддержку опытных инженеров.

Система менеджмента качества компании отвечает требованиям в соответствии с ГОСТ Р ИСО 9001, ГОСТ РВ 0015-002 и ЭС РД 009

### Офис по работе с юридическими лицами:

105318, г.Москва, ул.Щербаковская д.3, офис 1107, 1118, ДЦ «Щербаковский»

Телефон: +7 495 668-12-70 (многоканальный)

Факс: +7 495 668-12-70 (доб.304)

E-mail: [info@moschip.ru](mailto:info@moschip.ru)

Skype отдела продаж:

moschip.ru

moschip.ru\_4

moschip.ru\_6

moschip.ru\_9