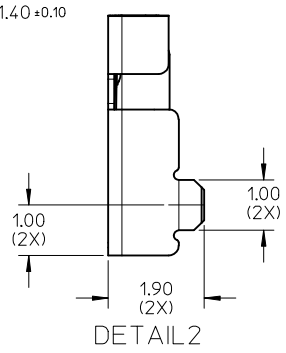
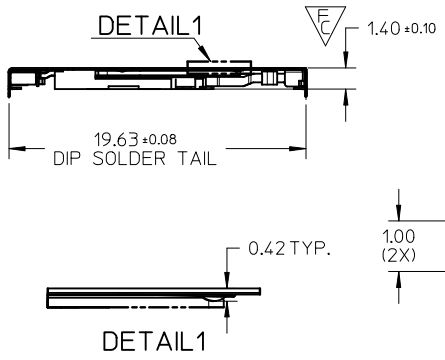
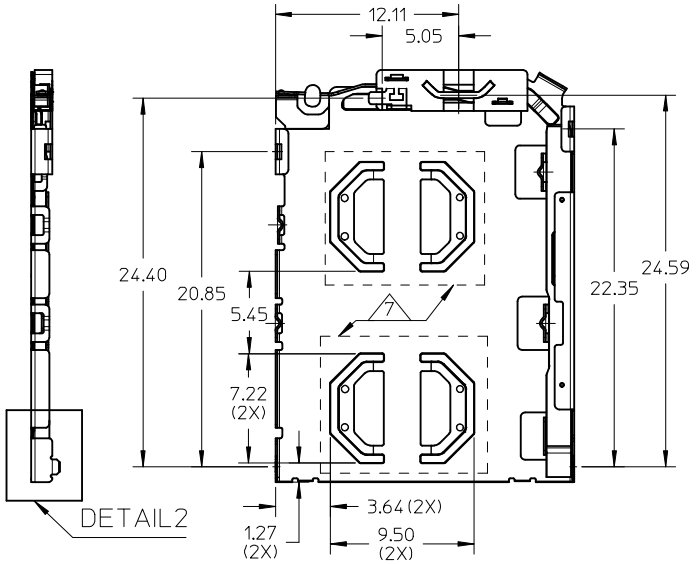
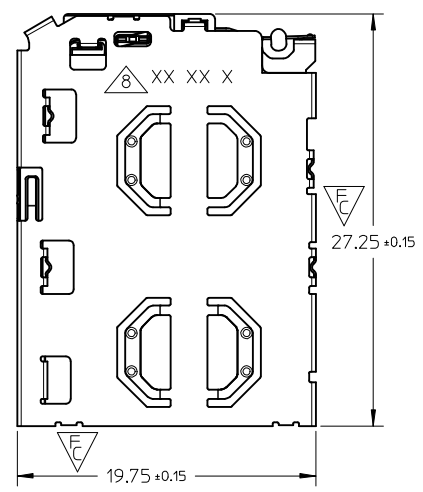
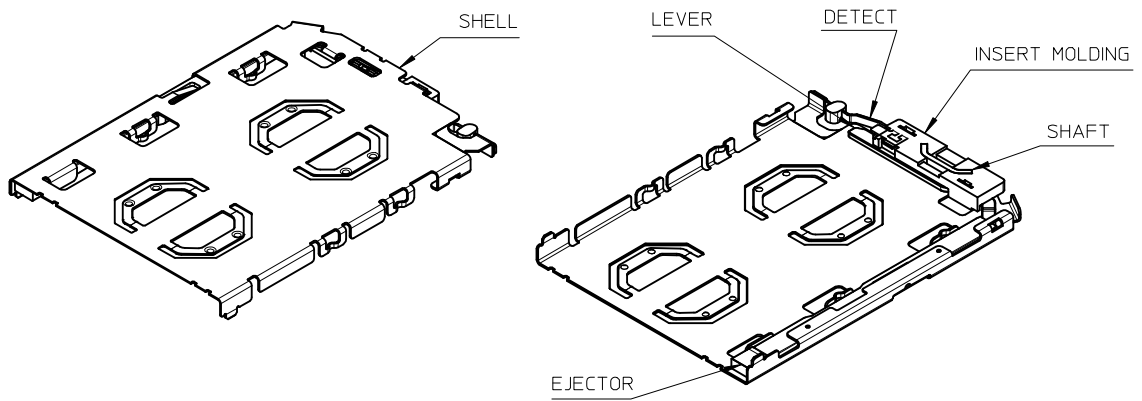


10 9 8 7 6 5 4 3 2 1

THIS DESIGN IS BASED ON DESIGN OBJECTIVES AND IS STRICTLY TENTATIVE. IT MAY CHANGE BASED ON RESULTS OF ADDITIONAL DESIGN REVIEWS & VERIFICATIONS.

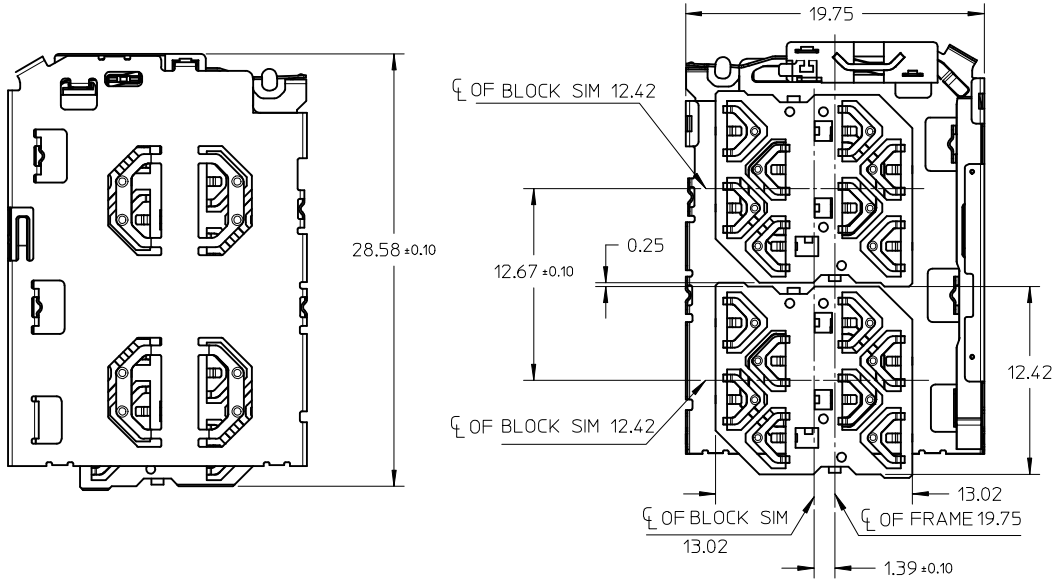


- NOTES:
- MATERIALS:  
INSERT MOLD HOUSING: LCP, UL94V-0;  
LEVER, SHAFT, EJECTOR, SHELL: STAINLESS STEEL;  
DETECT SPRING: COPPER ALLOY;
  - FINISHES:  
DETECT SPRING:  
1.27um MIN. NICKEL UNDERPLATING OVERALL;  
0.127um MIN. GOLD PLATING ON CONTACT AREA;  
1.27 um MIN. TIN PLATING ON SOLDERING TAIL;  
SHELL:  
1.27um MIN NICKEL UNDERPLATING OVERALL;  
0.025um MIN GOLD PLATING ON CONTACT AREA AND SOLDERING AREA;  
SHAFT: 1.27um MIN TIN ON SOLDERING TAIL;
  - PRODUCT SPECIFICATION: PS-151031-001;
  - PACKAGING SPECIFICATION: PK-151031-001;PK-151032-001
  - SOLDER TAIL COPLANARITY: 0.10 MM MAX BEFORE REFLOW
  - THIS PART IS A FRAME ONLY, IT SHOULD BE USED TOGETHER WITH 0.35MM BLOCK SIM 151032 FOR AN ENTIRE SIM POP OUT SYSTEM;
  - 0.10 MINIMUM KEEP OUT ZONE FROM TOP SURFACE OF SHELL DURING INSERTION AND WITHDRAWAL OF TRAY (WITH SIM CARD)
  - DATE CODE PRINTED: XX XX X  
DAY  
WEEK  
YEAR

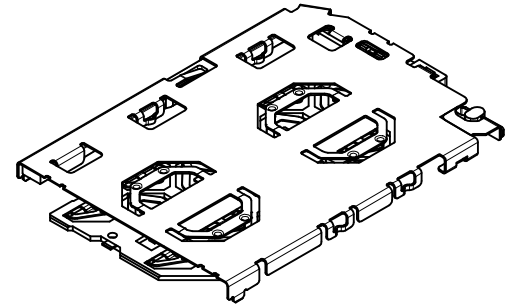
CHANGE BLOCK SIM AND TRAY EC NO: S2014-0434 DRWN: JZENG 2013/11/04 CHKD: JTAN02 2014/01/02 APPR: KHLIM 2014/01/27	QUALITY SYMBOLS	GENERAL TOLERANCES (UNLESS SPECIFIED)		DIMENSION STYLE MM ONLY		SCALE NTS	DESIGN UNITS METRIC	THIRD ANGLE PROJECTION	
	$F_A=0$	mm	INCH	DRAWN BY	DATE	TITLE			
	$F_C=4$	4 PLACES ± --- ± ---	JZENG 2013/11/04	DUAL MICRO SIM FRAME					
	$F_B=0$	3 PLACES ± --- ± ---	CHECKED BY	DATE	1.40 H				
	2 PLACES ± 0.20 ± ---	JTAN02 2013/12/05	APPROVED BY						
	1 PLACE ± 0.20 ± ---	KHLIM 2014/01/27	DATE						
	0 PLACE ± --- ± ---	ANGULAR ± 3 °		MATERIAL NO.		DOCUMENT NO.		SHEET NO.	
	DRAFT WHERE APPLICABLE MUST REMAIN WITHIN DIMENSIONS	SIZE A3		1510310001		SD-151031-0001		1 OF 5	
		THIS DRAWING CONTAINS INFORMATION THAT IS PROPRIETARY TO MOLEX INCORPORATED AND SHOULD NOT BE USED WITHOUT WRITTEN PERMISSION							

9 8 7 6 5 4 3 2 1

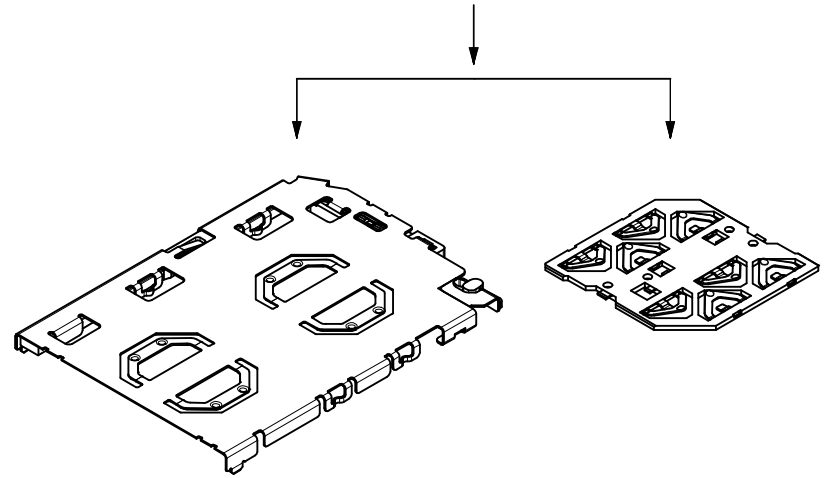
SIM CONNECTOR  
(WITH 151032 BLOCK SIM CONNECTOR)



SIM CONNECTOR BOM



FRAME + BLOCK SIM



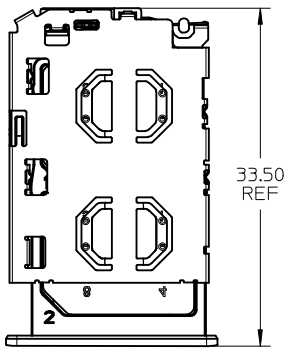
151031 SERIES

151032 SERIES

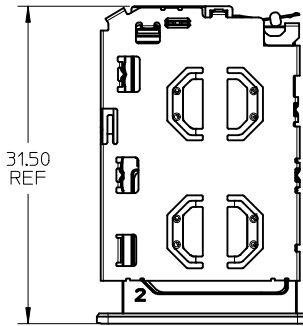
THIS DESIGN IS BASED ON DESIGN OBJECTIVES AND IS STRICTLY TENTATIVE. IT MAY CHANGE BASED ON RESULTS OF ADDITIONAL DESIGN REVIEWS & VERIFICATIONS.

SEE SHEET 1 EC NO: S2014-0434 DRWN: JZENG CHKD: JTAN02 APPR: KHL IM 2013/11/04 2014/01/02 2014/01/27	QUALITY SYMBOLS	GENERAL TOLERANCES (UNLESS SPECIFIED)	DIMENSION STYLE	SCALE	DESIGN UNITS	THIRD ANGLE PROJECTION
	$\nabla_A = 0$ $\nabla_B = 0$ $\nabla_C = 0$	mm INCH 4 PLACES ± --- ± --- 3 PLACES ± --- ± --- 2 PLACES ± 0.20 ± --- 1 PLACE ± 0.20 ± --- 0 PLACE ± --- ± --- ANGULAR ± 3 °	MM ONLY	NTS	METRIC	
	DESCRIPTION	DRAFT WHERE APPLICABLE MUST REMAIN WITHIN DIMENSIONS	DRAWN BY	DATE	TITLE	
			JZENG	2013/11/04	DUAL MICRO SIM FRAME	
			CHECKED BY	DATE	1.40 H	
			JTAN02	2013/12/05		
			APPROVED BY	DATE		
		KHL IM	2014/01/27			
		MATERIAL NO.	DOCUMENT NO.			
		1510310001	SD-151031-0001			
		SIZE	THIS DRAWING CONTAINS INFORMATION THAT IS PROPRIETARY TO MOLEX INCORPORATED AND SHOULD NOT BE USED WITHOUT WRITTEN PERMISSION			
		A3				

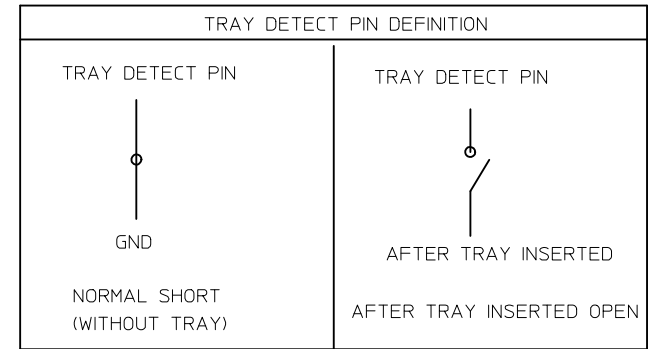
SIM CONNECTOR FRAME AND TRAY



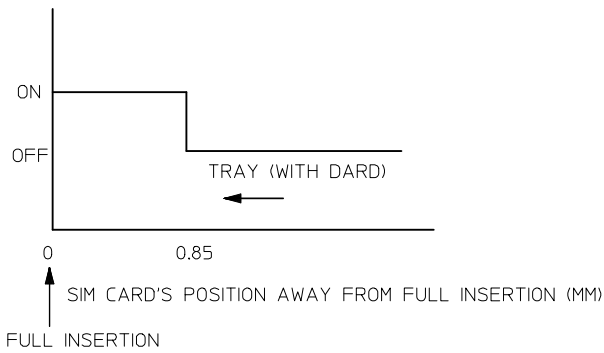
TRAY EJECTED POSITION



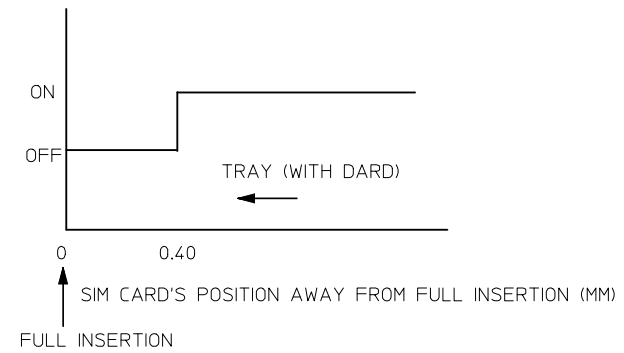
TRAY INSERTION POSITION



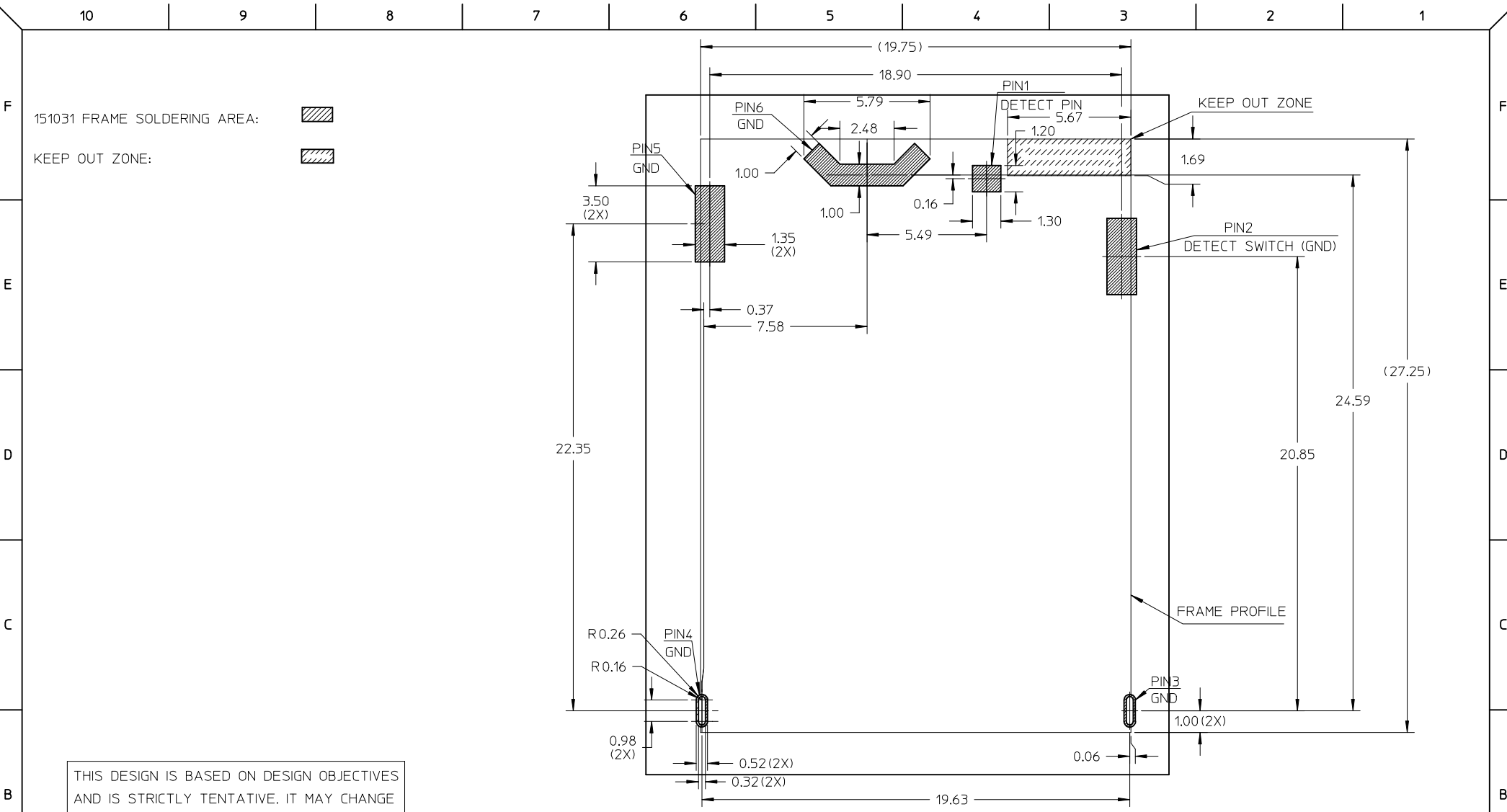
SIGNAL PIN



DETECT SWITCH PIN





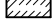
ENTER DESCRIPTION EC NO: S2014-0434 DRWN: JZENG CHKD: JTAN02 APPR: KHL IM	DESCRIPTION 2013/11/04 2014/01/02 2014/01/27	QUALITY SYMBOLS	GENERAL TOLERANCES (UNLESS SPECIFIED)		DIMENSION STYLE	SCALE	DESIGN UNITS	THIRD ANGLE PROJECTION	
		$F_A=0$ $F_G=0$ $F_P=0$	mm    INCH 4 PLACES ± --- ± --- 3 PLACES ± --- ± --- 2 PLACES ± 0.20 ± --- 1 PLACE ± 0.20 ± --- 0 PLACE ± --- ± ---	MM ONLY		METRIC			
			ANGULAR ± 3 °	DRAWN BY	DATE	TITLE			
			DRAFT WHERE APPLICABLE MUST REMAIN WITHIN DIMENSIONS	JZENG	2013/11/04	DUAL MICRO SIM FRAME 1.40 H			
7	REV			CHECKED BY	DATE	<b>molex</b>		SHEET NO.	
				JTAN02	2013/12/05				DOCUMENT NO.
					MATERIAL NO.				
					1510310001				
					THIS DRAWING CONTAINS INFORMATION THAT IS PROPRIETARY TO MOLEX INCORPORATED AND SHOULD NOT BE USED WITHOUT WRITTEN PERMISSION				

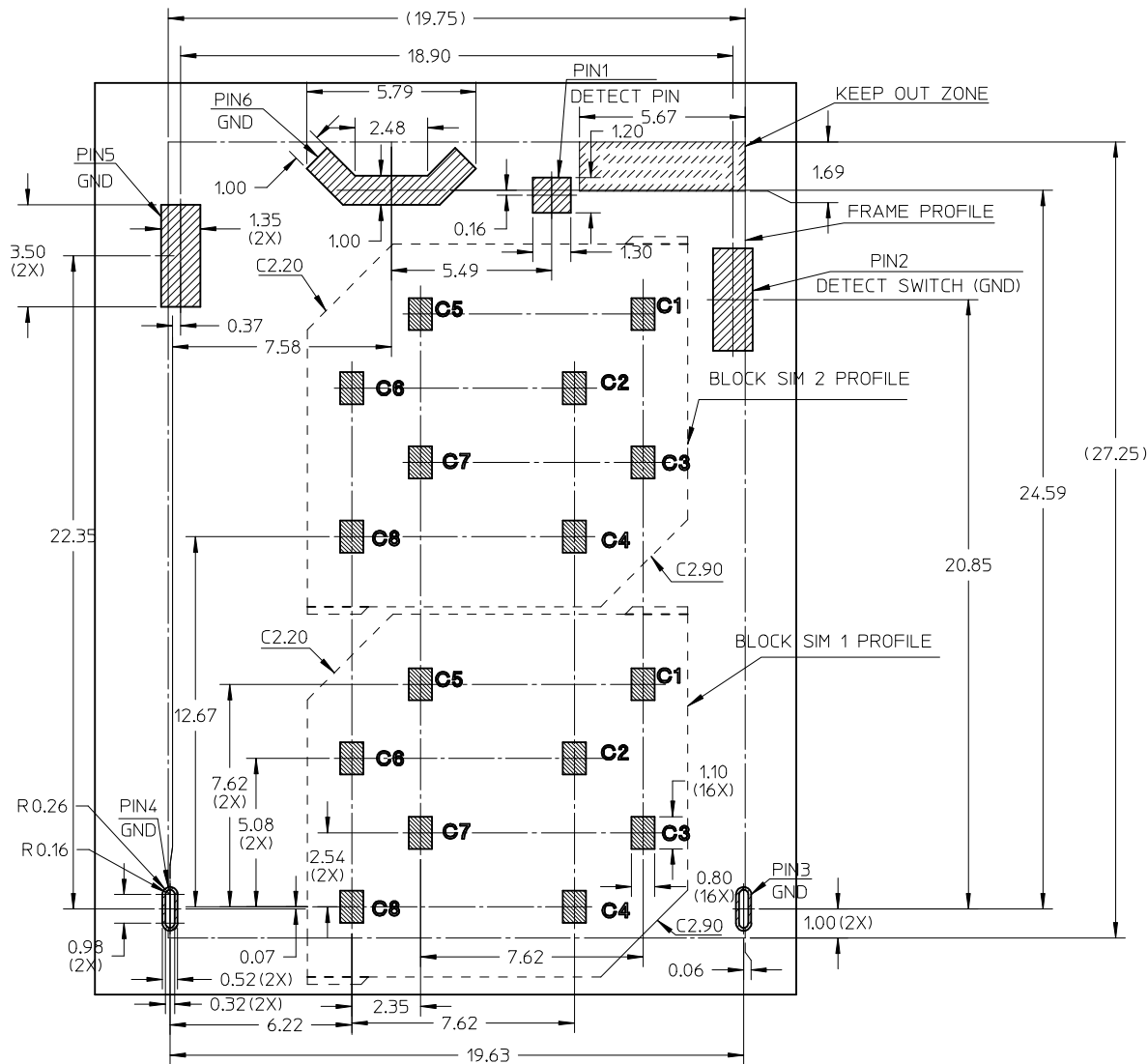


THIS DESIGN IS BASED ON DESIGN OBJECTIVES AND IS STRICTLY TENTATIVE. IT MAY CHANGE BASED ON RESULTS OF ADDITIONAL DESIGN REVIEWS & VERIFICATIONS.

RECOMMENDED PCB LAYOUT: TOLERANCE ±0.05  
 RECOMMENDED PCB THICKNESS: 0.80MM  
 RECOMMENDED STENCIL THICKNESS: 0.10MM

SEE SHEET 1 EC NO: S2014-0434 DRWN: JZENG CHKD: JTAN02 APPR: KHL IM	2013/11/04 2014/01/02 2014/01/27	QUALITY SYMBOLS $F_A=0$ $F_C=0$ $F_P=0$	GENERAL TOLERANCES (UNLESS SPECIFIED) mm INCH 4 PLACES ± --- ± --- 3 PLACES ± --- ± --- 2 PLACES ± 0.20 ± --- 1 PLACE ± 0.20 ± --- 0 PLACE ± --- ± --- ANGULAR ± 3 ° DRAFT WHERE APPLICABLE MUST REMAIN WITHIN DIMENSIONS	DIMENSION STYLE <b>MM ONLY</b> DRAWN BY: JZENG CHECKED BY: JTAN02 APPROVED BY: KHL IM MATERIAL NO.: 1510310001	SCALE: NTS DESIGN UNITS: METRIC THIRD ANGLE PROJECTION TITLE: DUAL MICRO SIM FRAME 1.40 H <b>molex</b> DOCUMENT NO.: SD-151031-0001	DATE: 2013/11/04 DATE: 2013/12/05 DATE: 2014/01/27 SHEET NO.: 4 OF 5
	7	REV		SIZE: A3	THIS DRAWING CONTAINS INFORMATION THAT IS PROPRIETARY TO MOLEX INCORPORATED AND SHOULD NOT BE USED WITHOUT WRITTEN PERMISSION	

151031 FRAME SOLDERING AREA:   
 151032 BLOCK SIM SOLDERING AREA:   
 KEEP OUT ZONE: 



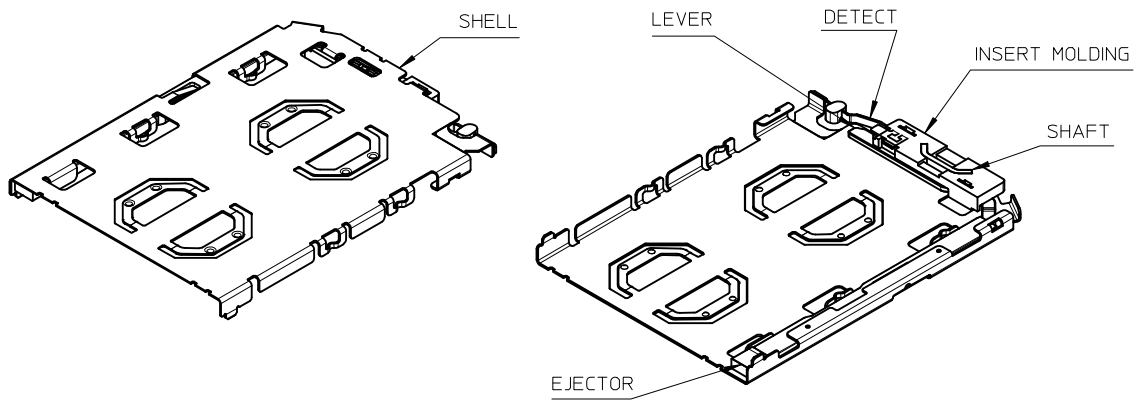
THIS DESIGN IS BASED ON DESIGN OBJECTIVES AND IS STRICTLY TENTATIVE. IT MAY CHANGE BASED ON RESULTS OF ADDITIONAL DESIGN REVIEWS & VERIFICATIONS.

RECOMMENDED PCB LAYOUT: TOLERANCE ±0.05  
 RECOMMENDED PCB THICKNESS: 0.80MM  
 RECOMMENDED STENCIL THICKNESS: 0.10MM

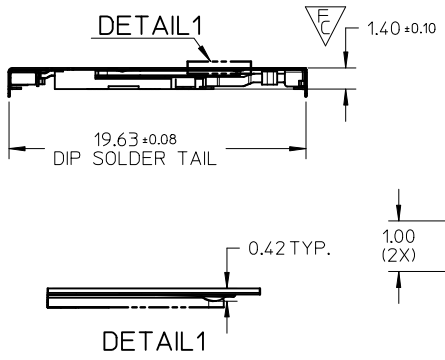
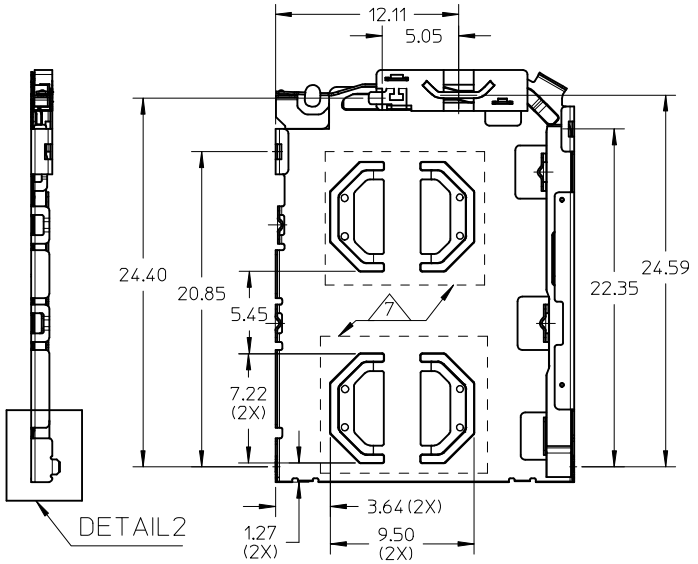
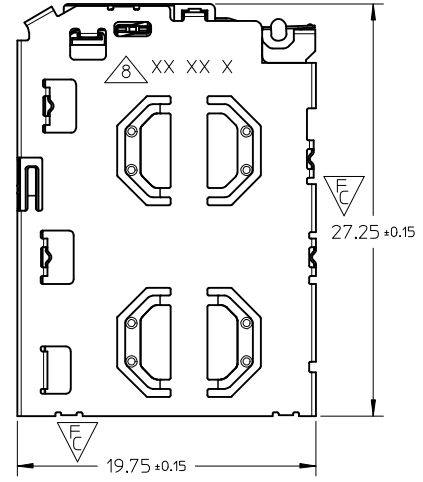
SEE SHEET 1	EC NO: S2014-0434 DRWN: JZENG CHKD: JTAN02 APPR: KHL IM	2013/11/04 2014/01/02 2014/01/27	QUALITY SYMBOLS $F_A=0$ $F_C=0$ $F_P=0$	GENERAL TOLERANCES (UNLESS SPECIFIED)		DIMENSION STYLE		SCALE	DESIGN UNITS	THIRD ANGLE PROJECTION				
						MM ONLY		NTS	METRIC					
						mm	INCH	DRAWN BY		DATE	TITLE			
								JZENG		2013/11/04	DUAL MICRO SIM FRAME 1.40 H			
				4 PLACES ± --- ± ---		CHECKED BY		DATE						
				3 PLACES ± --- ± ---		JTAN02		2013/12/05						
				2 PLACES ± 0.20 ± ---		APPROVED BY		DATE						
				1 PLACE ± 0.20 ± ---		KHL IM		2014/01/27						
				0 PLACE ± --- ± ---		MATERIAL NO.		DOCUMENT NO.		SHEET NO.				
				ANGULAR ± 3 °		1510310001		SD-151031-0001		5 OF 5				
				DRAFT WHERE APPLICABLE MUST REMAIN WITHIN DIMENSIONS		SIZE		THIS DRAWING CONTAINS INFORMATION THAT IS PROPRIETARY TO MOLEX INCORPORATED AND SHOULD NOT BE USED WITHOUT WRITTEN PERMISSION						
						A3								

10 9 8 7 6 5 4 3 2 1

THIS DESIGN IS BASED ON DESIGN OBJECTIVES AND IS STRICTLY TENTATIVE. IT MAY CHANGE BASED ON RESULTS OF ADDITIONAL DESIGN REVIEWS & VERIFICATIONS.



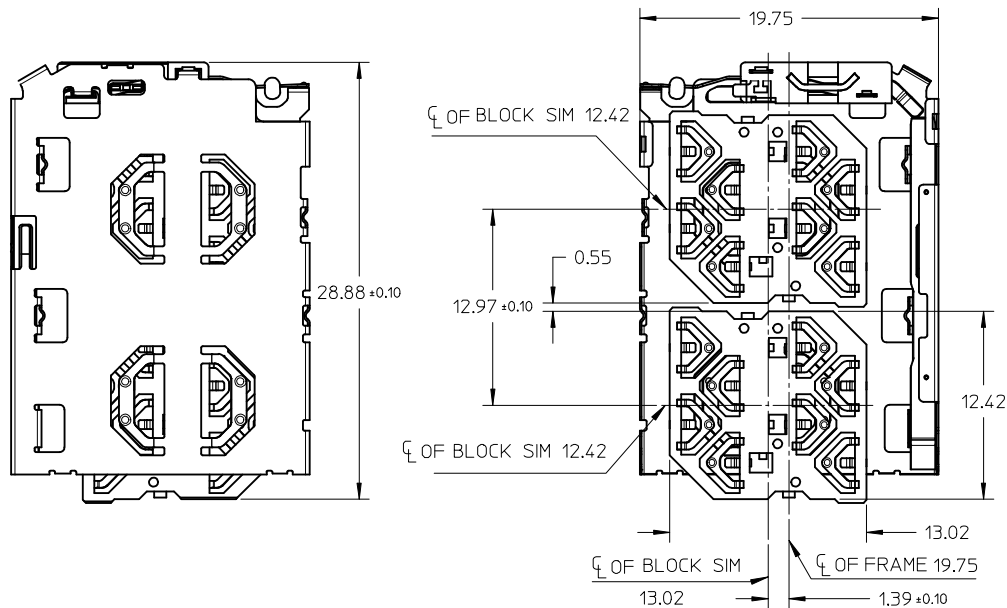
- NOTES:
- MATERIALS:  
 INSERT MOLD HOUSING: LCP, UL94V-0;  
 LEVER, SHAFT, EJECTOR, SHELL: STAINLESS STEEL;  
 DETECT SPRING: COPPER ALLOY;
  - FINISHES:  
 DETECT SPRING:  
 1.27um MIN. NICKEL UNDERPLATING OVERALL;  
 0.127um MIN. GOLD PLATING ON CONTACT AREA;  
 1.27 um MIN. TIN PLATING ON SOLDERING TAIL;  
 SHELL:  
 1.27um MIN NICKEL UNDERPLATING OVERALL;  
 0.025um MIN GOLD PLATING ON CONTACT AREA AND SOLDERING AREA;  
 SHAFT: 1.27um MIN TIN ON SOLDERING TAIL;
  - PRODUCT SPECIFICATION: PS-151031-001;
  - PACKAGING SPECIFICATION: PK-151031-001;PK-151032-001
  - SOLDER TAIL COPLANARITY: 0.10 MM MAX BEFORE REFLOW
  - THIS PART IS A FRAME ONLY, IT SHOULD BE USED TOGETHER WITH 0.35MM BLOCK SIM 151032 FOR AN ENTIRE SIM POP OUT SYSTEM;
  - 0.10 MINIMUM KEEP OUT ZONE FROM TOP SURFACE OF SHELL DURING INSERTION AND WITHDRAWAL OF TRAY (WITH SIM CARD)
  - DATE CODE PRINTED: XX XX X  
 DAY  
 WEEK  
 YEAR



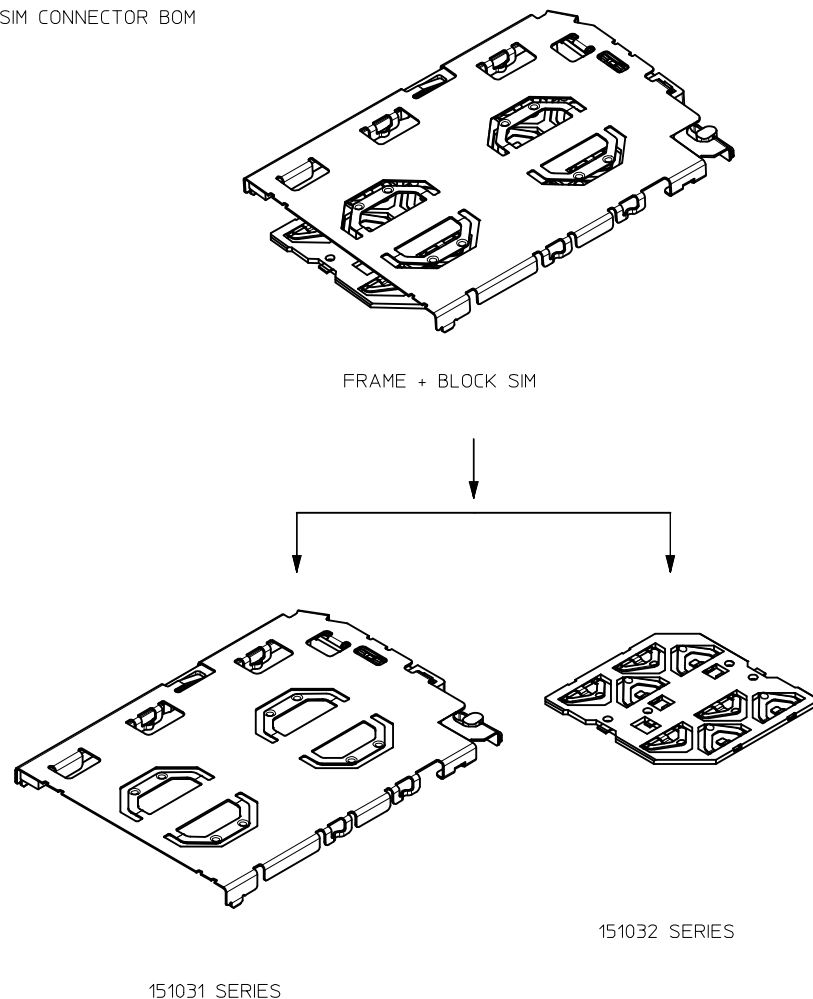
UPDATED DRAWING EC NO: S2014-0434 DRWN: JZENG 2013/12/13 CHKD: JTAN02 2014/01/02 APPR: KHLIM 2014/01/27	QUALITY SYMBOLS	GENERAL TOLERANCES (UNLESS SPECIFIED)	DIMENSION STYLE	SCALE	DESIGN UNITS	THIRD ANGLE PROJECTION
	$F_A=0$ $F_C=4$ $F_B=0$	mm INCH 4 PLACES ± --- ± --- 3 PLACES ± --- ± --- 2 PLACES ± 0.20 ± --- 1 PLACE ± 0.20 ± --- 0 PLACE ± --- ± ---	MM ONLY	NTS	METRIC	
	ANGULAR ± 3 ° DRAFT WHERE APPLICABLE MUST REMAIN WITHIN DIMENSIONS	DRAWN BY: JZENG CHECKED BY: KHLIM APPROVED BY: KHLIM DATE: 2013/12/13 DATE: 2014/01/27 DATE: 2014/01/27	TITLE	DUAL MICRO SIM FRAME 1.40H		
	MATERIAL NO. 1510310001 SIZE A3 THIS DRAWING CONTAINS INFORMATION THAT IS PROPRIETARY TO MOLEX INCORPORATED AND SHOULD NOT BE USED WITHOUT WRITTEN PERMISSION	DOCUMENT NO. SD-151031-0002 SHEET NO. 1 OF 4				

9 8 7 6 5 4 3 2 1

SIM CONNECTOR  
(WITH 151032 BLOCK SIM CONNECTOR)



SIM CONNECTOR BOM



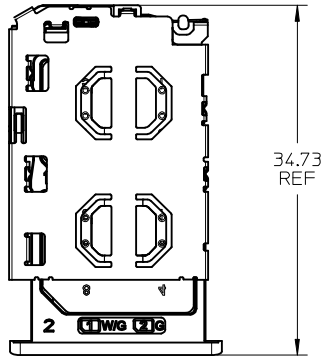
THIS DESIGN IS BASED ON DESIGN OBJECTIVES AND IS STRICTLY TENTATIVE. IT MAY CHANGE BASED ON RESULTS OF ADDITIONAL DESIGN REVIEWS & VERIFICATIONS.

SEE SHEET 1	EC NO: S2014-0434	2013/12/13	DESCRIPTION
	DRWN: JZENG	2014/01/02	
	CHKD: JIAN02	2014/01/02	
	APPR: KHL IM	2014/01/27	
REV			

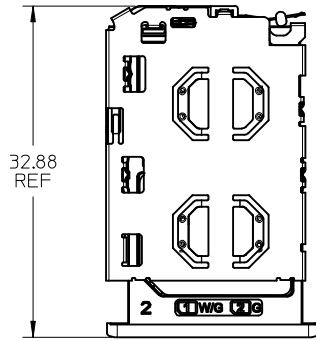
QUALITY SYMBOLS	$F_{A/0}$	$F_{C/0}$	$F_{P/0}$
	$F_{A/0}$	$F_{C/0}$	$F_{P/0}$
GENERAL TOLERANCES (UNLESS SPECIFIED)		mm	INCH
	4 PLACES	± ---	± ---
	3 PLACES	± ---	± ---
	2 PLACES	± 0.20	± ---
	1 PLACE	± 0.20	± ---
0 PLACE	± ---	± ---	
ANGULAR ± 3 °			
DRAFT WHERE APPLICABLE MUST REMAIN WITHIN DIMENSIONS			

DIMENSION STYLE		SCALE		DESIGN UNITS		THIRD ANGLE PROJECTION	
MM ONLY		NTS		METRIC			
DRAWN BY	DATE	TITLE		DUAL MICRO SIM FRAME 1.40H			
JZENG	2013/12/13						
CHECKED BY	DATE						
APPROVED BY	DATE	MATERIAL NO.		DOCUMENT NO.		SHEET NO.	
KHL IM	2014/01/27	1510310001		SD-151031-0002		2 OF 4	
SIZE		THIS DRAWING CONTAINS INFORMATION THAT IS PROPRIETARY TO MOLEX INCORPORATED AND SHOULD NOT BE USED WITHOUT WRITTEN PERMISSION					
A3							

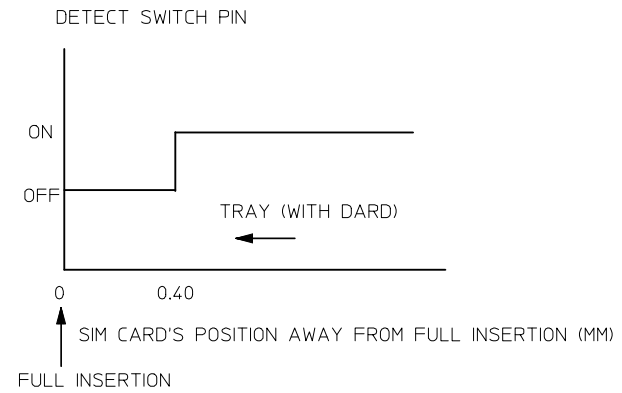
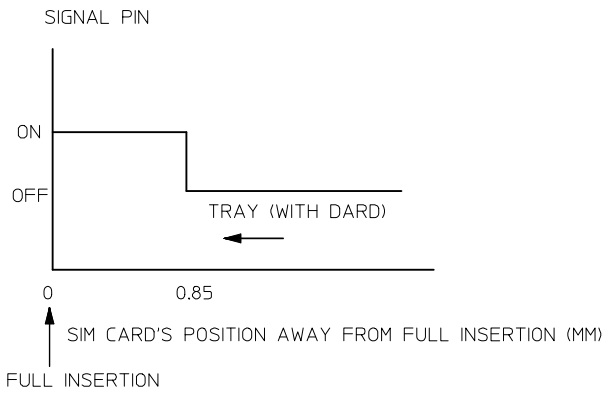
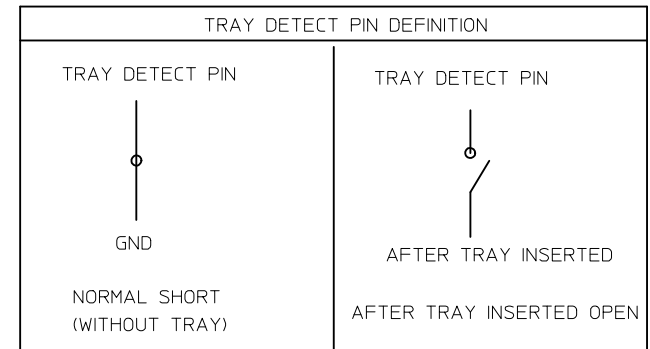
SIM CONNECTOR FRAME AND TRAY



TRAY EJECTED POSITION



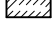


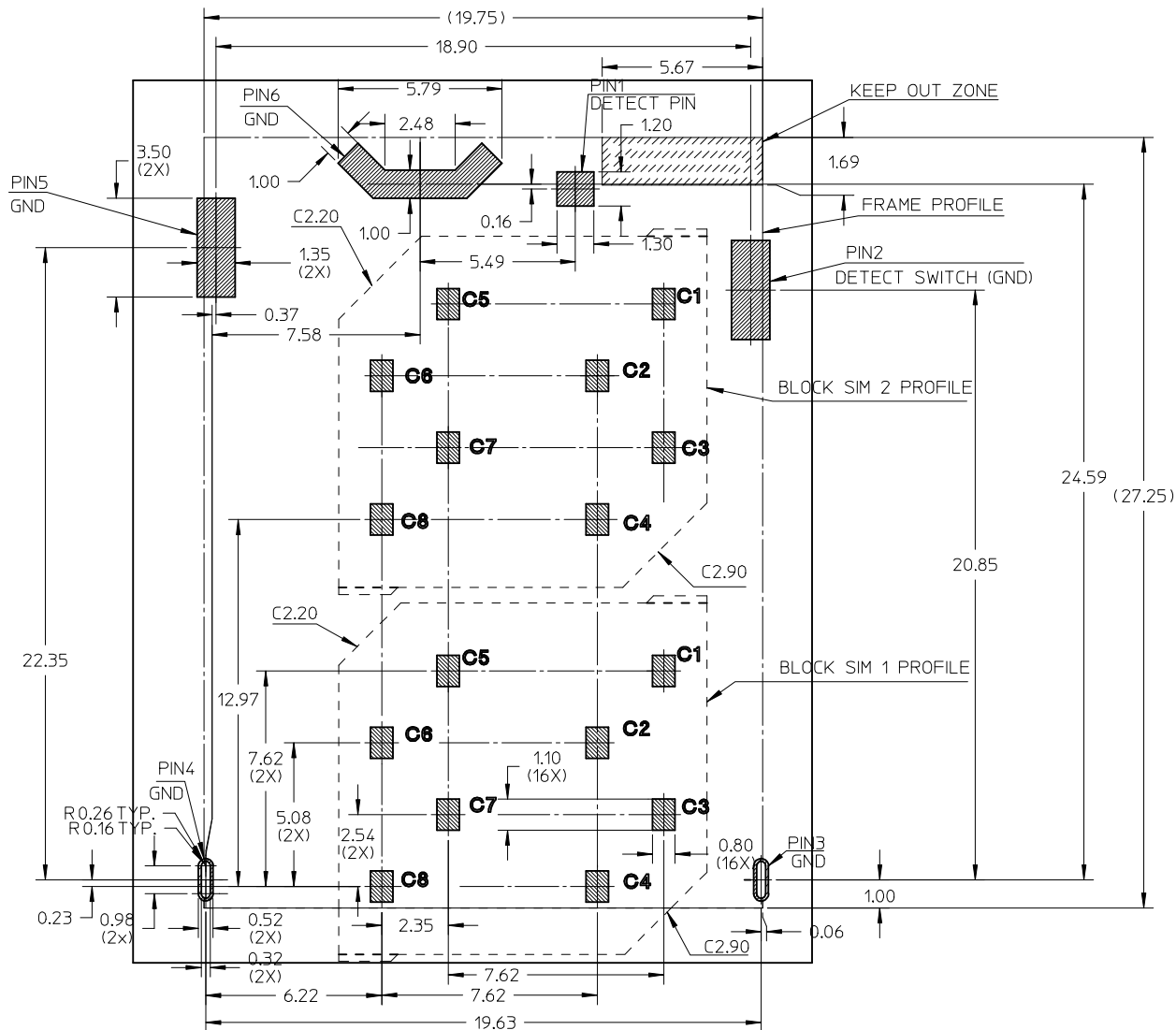
TRAY INSERTION POSITION



SEE SHEET 1 EC NO: S2014-0434 DRWN: JZENG CHKD: JIAN02 APPR: KHL IM	2013/12/13 2014/01/02 2014/01/27	DESCRIPTION F <sub>A</sub> =0 F <sub>G</sub> =0 F <sub>P</sub> =0	GENERAL TOLERANCES (UNLESS SPECIFIED)		DIMENSION STYLE <b>MM ONLY</b>	SCALE METRIC	DESIGN UNITS METRIC	THIRD ANGLE PROJECTION		
					mm      INCH	DRAWN BY      DATE JZENG      2013/12/13	TITLE DUAL MICRO SIM FRAME 1.40H			
					4 PLACES ± --- ± --- 3 PLACES ± --- ± --- 2 PLACES ± 0.20 ± --- 1 PLACE ± 0.20 ± --- 0 PLACE ± --- ± ---	CHECKED BY      DATE				
					ANGULAR ± 3 °	DRAFT WHERE APPLICABLE MUST REMAIN WITHIN DIMENSIONS		APPROVED BY      DATE KHL IM      2014/01/27	DOCUMENT NO. <b>SD-151031-0002</b>	
				MATERIAL NO. <b>1510310001</b>	SHEET NO. 3 OF 4					



151031 FRAME SOLDERING AREA:   
 151032 BLOCK SIM SOLDERING AREA:   
 KEEP OUT ZONE: 



THIS DESIGN IS BASED ON DESIGN OBJECTIVES AND IS STRICTLY TENTATIVE. IT MAY CHANGE BASED ON RESULTS OF ADDITIONAL DESIGN REVIEWS & VERIFICATIONS.

RECOMMENDED PCB LAYOUT: TOLERANCE ±0.05  
 RECOMMENDED PCB THICKNESS: 0.80MM  
 RECOMMENDED STENCIL THICKNESS: 0.10MM

SEE SHEET 1 EC NO: S2014-0434 DRWN: JZENG CHKD: JTAN02 APPR: KHLIM	2013/12/13 2014/01/02 2014/01/27	DESCRIPTION	QUALITY SYMBOLS	GENERAL TOLERANCES (UNLESS SPECIFIED)	DIMENSION STYLE	SCALE	DESIGN UNITS	THIRD ANGLE PROJECTION
			$F_A=0$ $F_C=0$ $F_P=0$	mm    INCH 4 PLACES ± --- ± --- 3 PLACES ± --- ± --- 2 PLACES ± 0.20 ± --- 1 PLACE ± 0.20 ± --- 0 PLACE ± --- ± ---	MM ONLY	NTS	METRIC	TITLE
			ANGULAR ± 3 ° DRAFT WHERE APPLICABLE MUST REMAIN WITHIN DIMENSIONS	DRAWN BY: JZENG CHECKED BY: KHLIM APPROVED BY: KHLIM	DATE: 2013/12/13 DATE: 2014/01/27 DATE: 2014/01/27	DUAL MICRO SIM FRAME 1.40H		
			MATERIAL NO. 1510310001		DOCUMENT NO. SD-151031-0002		SHEET NO. 4 OF 4	



THIS DRAWING CONTAINS INFORMATION THAT IS PROPRIETARY TO MOLEX INCORPORATED AND SHOULD NOT BE USED WITHOUT WRITTEN PERMISSION

## Данный компонент на территории Российской Федерации

### Вы можете приобрести в компании MosChip.

Для оперативного оформления запроса Вам необходимо перейти по данной ссылке:

<http://moschip.ru/get-element>

Вы можете разместить у нас заказ для любого Вашего проекта, будь то серийное производство или разработка единичного прибора.

В нашем ассортименте представлены ведущие мировые производители активных и пассивных электронных компонентов.

Распределительные склады, находящиеся в России, Европе и в Китае, позволяют нам оперативно поставить необходимые компоненты в оптимальные для Вас сроки.

На всех этапах разработки и производства наши партнеры могут получить квалифицированную поддержку опытных инженеров.

Система менеджмента качества компании отвечает требованиям ISO 9001:2011

### Офис по работе с юридическими лицами:

107023, г.Москва, Семеновский переулок, д.6, Бизнес-центр «АВС»

Телефон: +7 495 668-12-70 (многоканальный)

Факс: +7 495 668-12-70 (доб.304)

E-mail: [info@moschip.ru](mailto:info@moschip.ru)

Skype отдела продаж:

moschip.ru_3	moschip.ru_6
moschip.ru_4	moschip.ru_7
moschip.ru_11	moschip.ru_8
moschip.ru_12	moschip.ru_9