

4

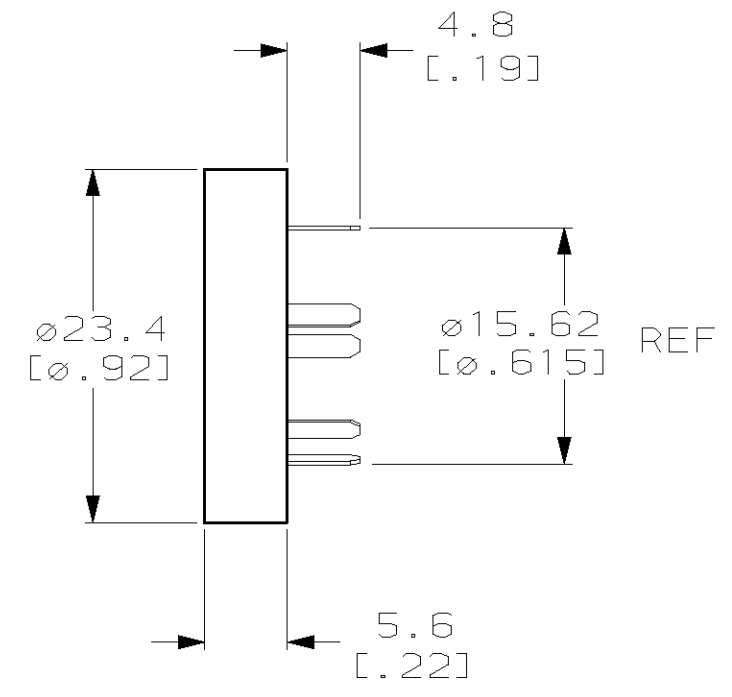
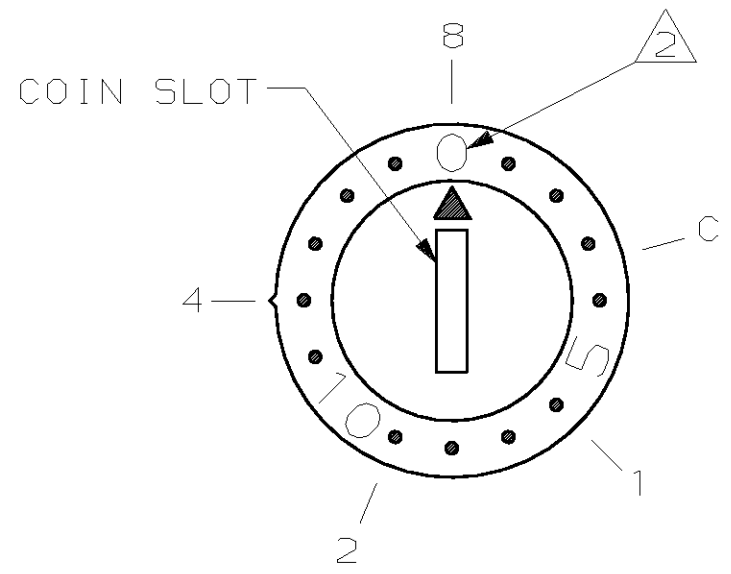
3

2

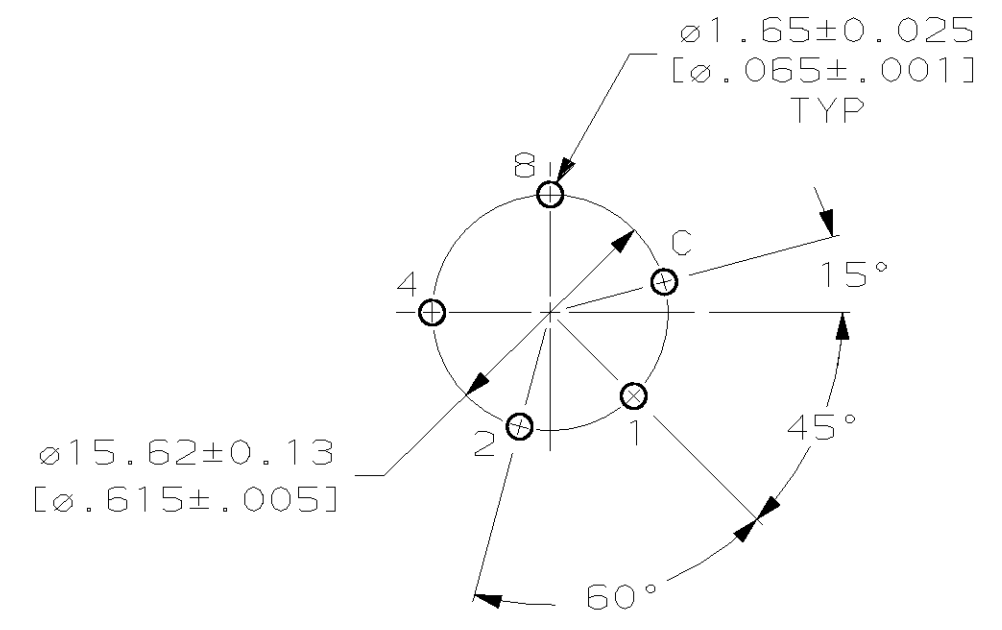
1

THIS DRAWING IS UNPUBLISHED. RELEASED FOR PUBLICATION, 19 .
 © COPYRIGHT 19 BY AMP INCORPORATED. ALL RIGHTS RESERVED.

LOC		DIST		REVISIONS					
FT		69		P	LTR	DESCRIPTION	DATE	DWN	APVD
				L		REV PER 063C-0156-03	130CT04	JR	MZ



1 FINISH: SOLDER TAILS TIN PLATE 0.0051 [.000200] MIN. THICK. CONTACT AREA 0.00076 [.000030] MIN. HARD GOLD OVER 0.00127-0.00254 [.000050-.000100] LOW STRESS NICKEL.
 2 CHARACTERS 2.5 [.10] HIGH, COLOR BLACK.



P.C. BOARD HOLE LAYOUT
SWITCH SIDE

SUPERSEDED BY 1-435167-1

		SWITCH POSITION															
		0	1	2	3	4	5	6	7	8	9	10	11	12	13	14	15
COMMON TO	1		●		●		●		●		●		●		●		●
	2			●	●			●	●			●	●			●	●
	4					●	●	●	●			●	●	●	●		●
	8									●	●	●	●	●	●	●	●

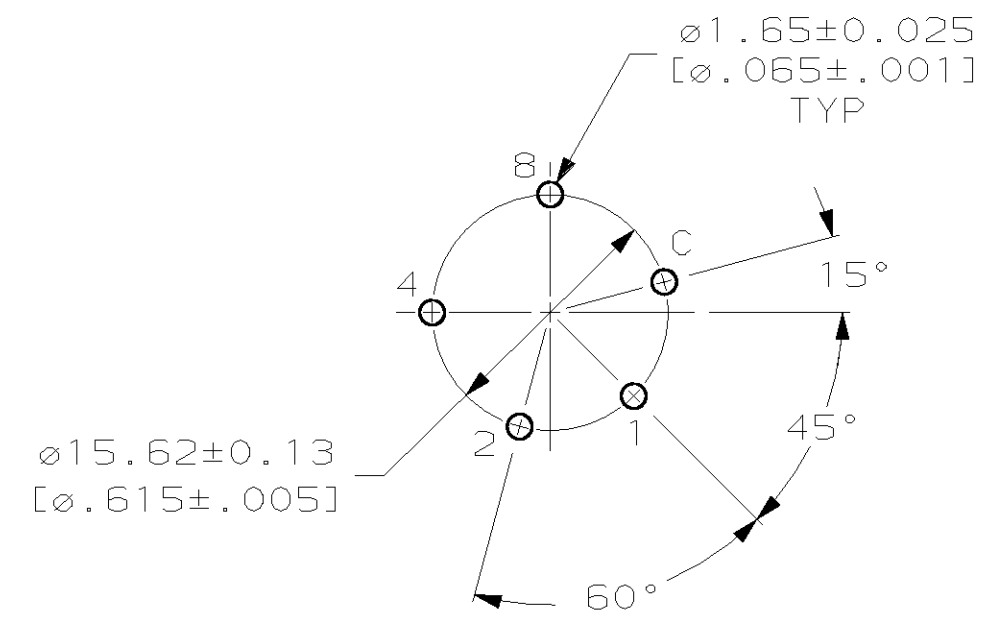
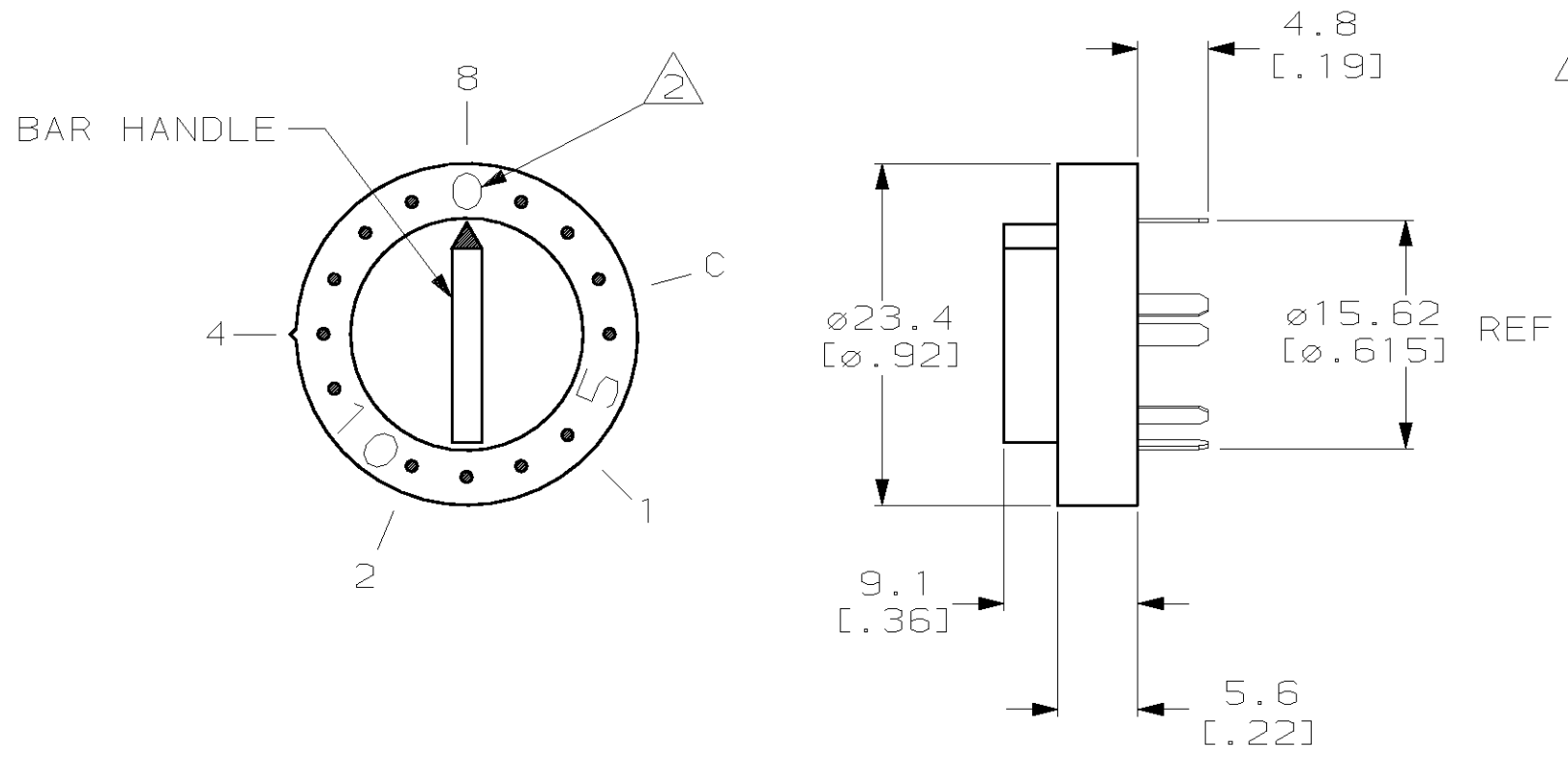
435167-1
PART NO

THIS DRAWING IS A CONTROLLED DOCUMENT.		DWN R. TALLEY 8-7-91	AMP AMP Incorporated Harrisburg, PA 17105-3608	
DIMENSIONS: mm [INCHES]		CHK R. MILLER 8-7-91		
TOLERANCES UNLESS OTHERWISE SPECIFIED:		APVD D. HUFFMAN 8-7-91	NAME ROTARY SWITCH ASSY, 16 POSN, 6000 SERIES HEXADECIMAL	
0 PLC ±-		PRODUCT SPEC 108-7514	SIZE A3	
1 PLC ±-		APPLICATION SPEC 114-7005	CAGE CODE 00779	DRAWING NO C- 435167
2 PLC ±0.5 [.02]		WEIGHT -	RESTRICTED TO -	
3 PLC ±-		CUSTOMER DRAWING		
4 PLC ±-		SCALE 2:1		
ANGLES ±0°30'		SHEET 1 OF 4		
FINISH 1		REV L		

THIS DRAWING IS UNPUBLISHED. RELEASED FOR PUBLICATION, 19 .
 © COPYRIGHT 19 BY AMP INCORPORATED. ALL RIGHTS RESERVED.

LOC	DIST	REVISIONS					
FT	69	P	LTR	DESCRIPTION	DATE	DWN	APVD
		L		SEE SHEET 1	-	-	-

① FINISH: SOLDER TAILS TIN PLATE 0.0051 [.000200] MIN. THICK. CONTACT AREA 0.00076 [.000030] MIN. HARD GOLD OVER 0.00127-0.00254 [.000050-.000100] LOW STRESS NICKEL.
 ② CHARACTERS 2.5 [.10] HIGH, COLOR BLACK.



P.C. BOARD HOLE LAYOUT
SWITCH SIDE

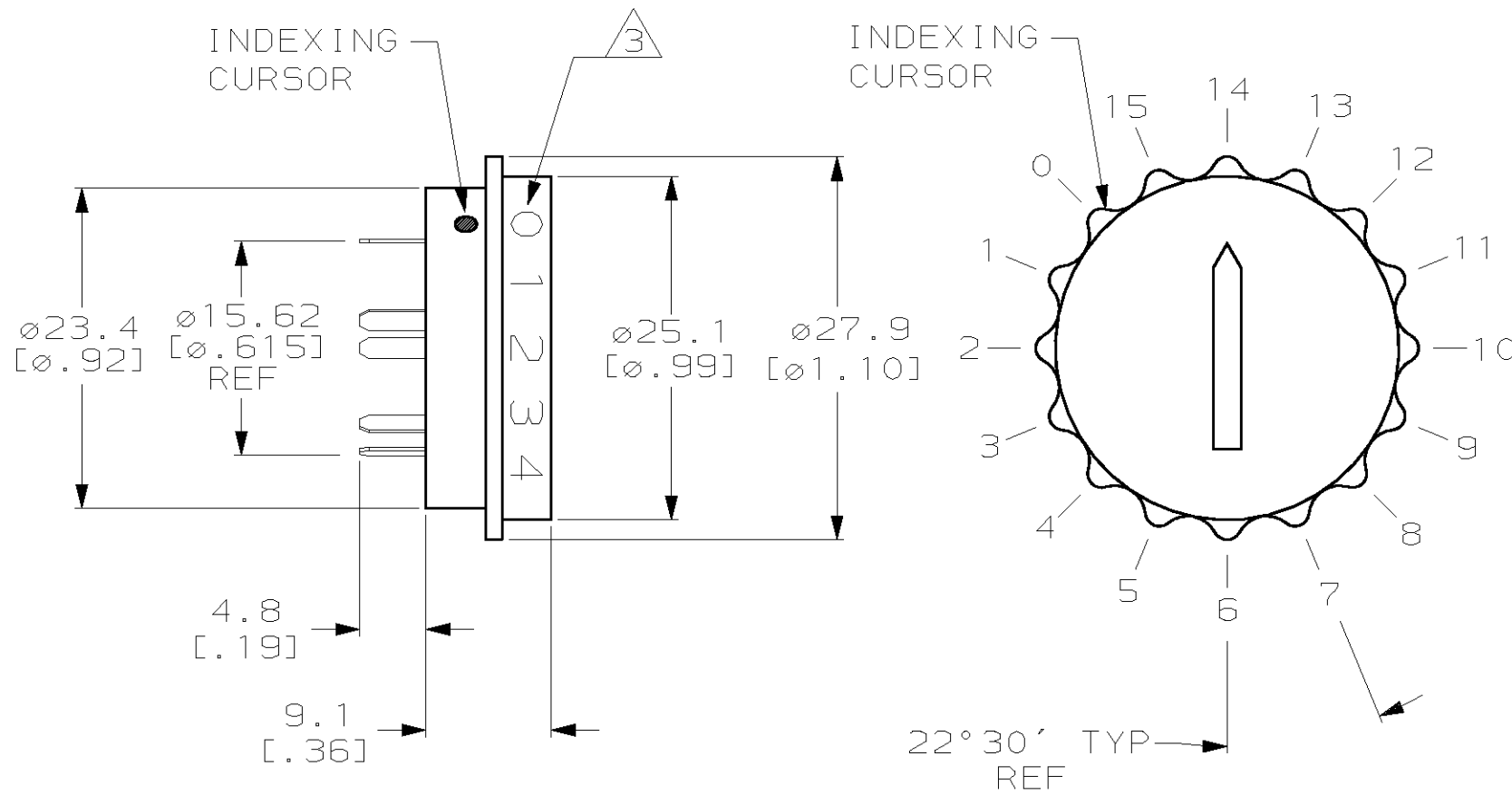
		SWITCH POSITION															
		0	1	2	3	4	5	6	7	8	9	10	11	12	13	14	15
COMMON TO	1		●		●		●		●		●		●		●		●
	2			●	●			●	●			●	●			●	●
	4					●	●	●	●				●	●	●	●	
	8									●	●	●	●	●	●	●	●

1-435167-1
PART NO

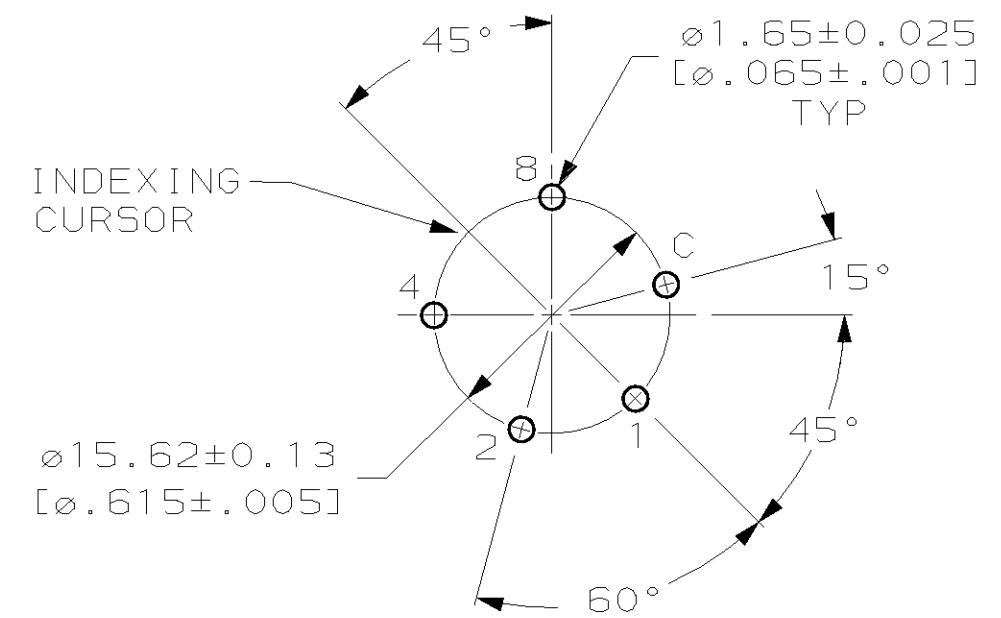
THIS DRAWING IS A CONTROLLED DOCUMENT.		DWN R. TALLEY 8-7-91	AMP Incorporated Harrisburg, PA 17105-3608	
		CHK R. MILLER 8-7-91		
DIMENSIONS: mm [INCHES]		APVD D. HUFFMAN 8-9-91	NAME ROTARY SWITCH ASSY, 16 POSN, 6000 SERIES HEXADECIMAL	
TOLERANCES UNLESS OTHERWISE SPECIFIED: 0 PLC ±- 1 PLC ±- 2 PLC ±0.5 [.02] 3 PLC ±- 4 PLC ±- ANGLES ±0°30'		PRODUCT SPEC 108-7514	RESTRICTED TO	
MATERIAL CASE: THERMOPLASTIC, COLOR NATURAL CONTACT: BERYLLIUM COPPER		APPLICATION SPEC 114-7005	SIZE A3	CAGE CODE 00779
FINISH ①		WEIGHT -	DRAWING NO C- 435167	
		CUSTOMER DRAWING		SCALE 2:1
				SHEET 2 OF 4
				REV L

THIS DRAWING IS UNPUBLISHED. RELEASED FOR PUBLICATION ,19 .
 © COPYRIGHT 19 BY AMP INCORPORATED. ALL RIGHTS RESERVED.

LOC	DIST	REVISIONS					
FT	69	P	LTR	DESCRIPTION	DATE	DWN	APVD
		L		SEE SHEET 1	-	-	-



- 1 MATERIAL; CASE-THERMOPLASTIC, COLOR NATURAL. WHEEL-THERMOPLASTIC, COLOR BLACK. CONTACT-BERYLLIUM COPPER.
- 2 FINISH: SOLDER TAILS TIN PLATE 0.0051 [.000200] MIN. THICK. CONTACT AREA 0.00076 [.000030] MIN. HARD GOLD OVER 0.00127-0.00254 [.000050-.000100] LOW STRESS NICKEL.
- 3 CHARACTERS 2.3 [.09] HIGH, COLOR WHITE.



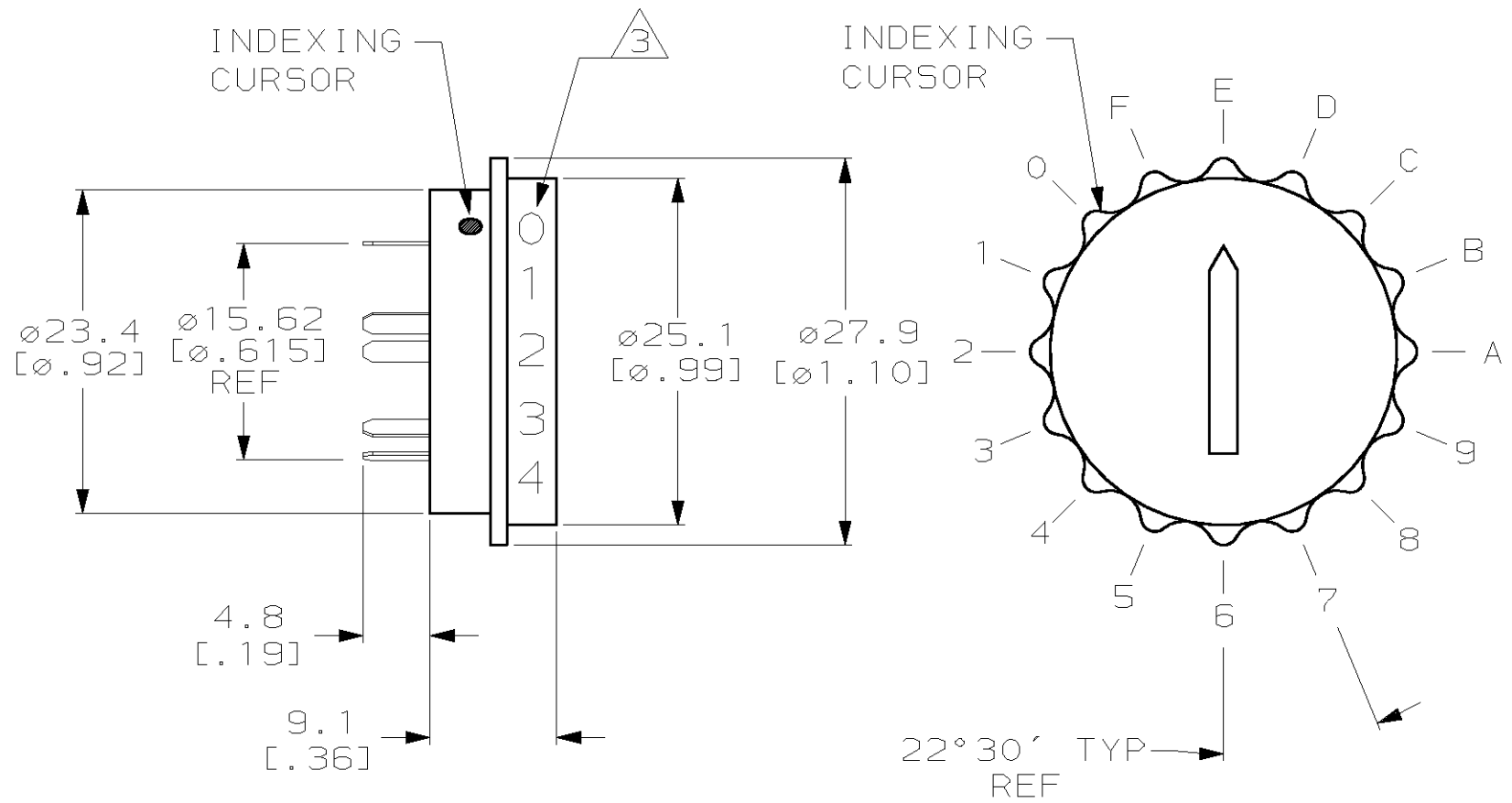
		SWITCH POSITION															
		0	1	2	3	4	5	6	7	8	9	10	11	12	13	14	15
COMMON TO	1		●		●		●		●		●		●		●		●
	2			●	●			●	●			●	●			●	●
	4					●	●	●	●					●	●	●	●
	8									●	●	●	●	●	●	●	●

2-435167-1
PART NO

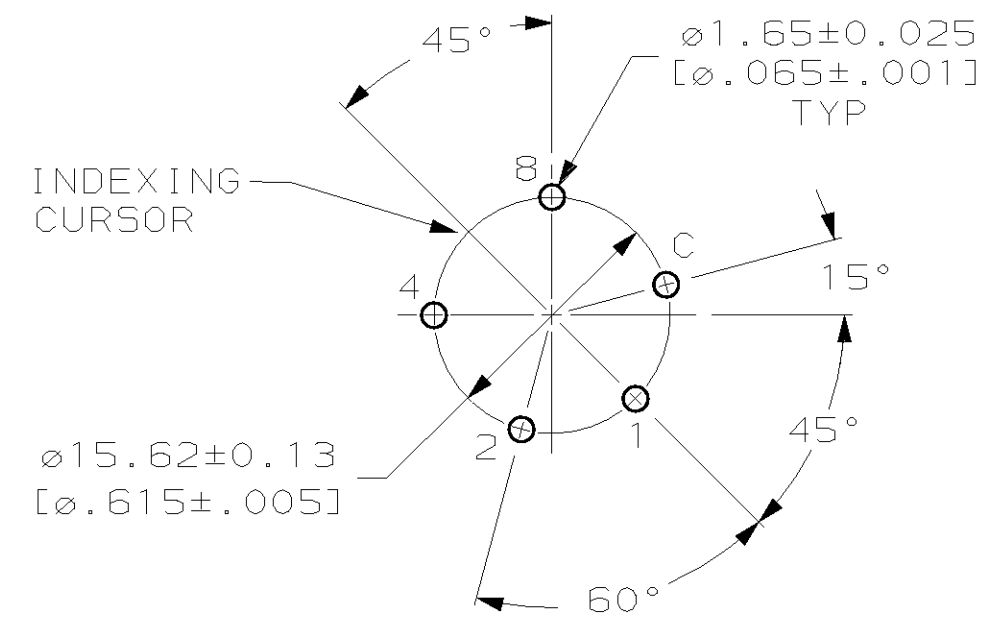
THIS DRAWING IS A CONTROLLED DOCUMENT.		DWN R. TALLEY 8-7-91	AMP AMP Incorporated Harrisburg, PA 17105-3608	
DIMENSIONS: mm [INCHES]		CHK R. MILLER 8-7-91		
TOLERANCES UNLESS OTHERWISE SPECIFIED:		APVD D. HUFFMAN 8-9-91	NAME ROTARY SWITCH ASSY, 16 POSN, 6000 SERIES HEXADECIMAL	
0 PLC ±-		PRODUCT SPEC 108-7514	SIZE CAGE CODE DRAWING NO RESTRICTED TO	
1 PLC ±-		APPLICATION SPEC 114-7005	A3 00779 C- 435167	
2 PLC ±0.5 [.02]		WEIGHT -	SCALE 2:1 SHEET 3 OF 4 REV L	
3 PLC ±-		CUSTOMER DRAWING		
4 PLC ±-				
ANGLES ±0°30'				
MATERIAL 1	FINISH 2			

THIS DRAWING IS UNPUBLISHED. RELEASED FOR PUBLICATION ,19 .
 © COPYRIGHT 19 BY AMP INCORPORATED. ALL RIGHTS RESERVED.

LOC	DIST	REVISIONS					
FT	69	P	LTR	DESCRIPTION	DATE	DWN	APVD
		L		SEE SHEET 1	-	-	-



- ① MATERIAL; CASE-THERMOPLASTIC, COLOR NATURAL. WHEEL-THERMOPLASTIC, COLOR BLACK. CONTACT-BERYLLIUM COPPER.
- ② FINISH: SOLDER TAILS TIN PLATE 0.0051 [.000200] MIN. THICK. CONTACT AREA 0.00076 [.000030] MIN. HARD GOLD OVER 0.00127-0.00254 [.000050-.000100] LOW STRESS NICKEL.
- ③ CHARACTERS 2.3 [.09] HIGH, COLOR WHITE.



P.C. BOARD HOLE LAYOUT
SWITCH SIDE

SUPERSEDED BY 2-435167-1

		SWITCH POSITION															
		0	1	2	3	4	5	6	7	8	9	A	B	C	D	E	F
COMMON TO	1		●		●		●		●		●		●		●		●
	2			●	●			●	●			●	●			●	●
	4					●	●	●	●					●	●	●	●
	8										●	●	●	●	●	●	●

3-435167-1
PART NO

THIS DRAWING IS A CONTROLLED DOCUMENT.		DWN R. TALLEY 8-7-91	AMP AMP Incorporated Harrisburg, PA 17105-3608
		CHK R. MILLER 8-7-91	
DIMENSIONS: mm [INCHES]		APVD D. HUFFMAN 8-9-91	NAME ROTARY SWITCH ASSY, 16 POSN, 6000 SERIES HEXADECIMAL
TOLERANCES UNLESS OTHERWISE SPECIFIED: 0 PLC ±- 1 PLC ±- 2 PLC ±0.5 [.020] 3 PLC ±- 4 PLC ±- ANGLES ±0°30'		PRODUCT SPEC 108-7514	SIZE CAGE CODE DRAWING NO RESTRICTED TO
MATERIAL ①		APPLICATION SPEC 114-7005	A3 00779 C- 435167
FINISH ②		WEIGHT -	SCALE 2:1 SHEET 4 OF 4 REV L
CUSTOMER DRAWING			

Данный компонент на территории Российской Федерации

Вы можете приобрести в компании MosChip.

Для оперативного оформления запроса Вам необходимо перейти по данной ссылке:

<http://moschip.ru/get-element>

Вы можете разместить у нас заказ для любого Вашего проекта, будь то серийное производство или разработка единичного прибора.

В нашем ассортименте представлены ведущие мировые производители активных и пассивных электронных компонентов.

Распределительные склады, находящиеся в России, Европе и в Китае, позволяют нам оперативно поставить необходимые компоненты в оптимальные для Вас сроки.

На всех этапах разработки и производства наши партнеры могут получить квалифицированную поддержку опытных инженеров.

Система менеджмента качества компании отвечает требованиям ISO 9001:2011

Офис по работе с юридическими лицами:

107023, г.Москва, Семеновский переулок, д.6, Бизнес-центр «АВС»

Телефон: +7 495 668-12-70 (многоканальный)

Факс: +7 495 668-12-70 (доб.304)

E-mail: info@moschip.ru

Skype отдела продаж:

moschip.ru_3	moschip.ru_6
moschip.ru_4	moschip.ru_7
moschip.ru_11	moschip.ru_8
moschip.ru_12	moschip.ru_9