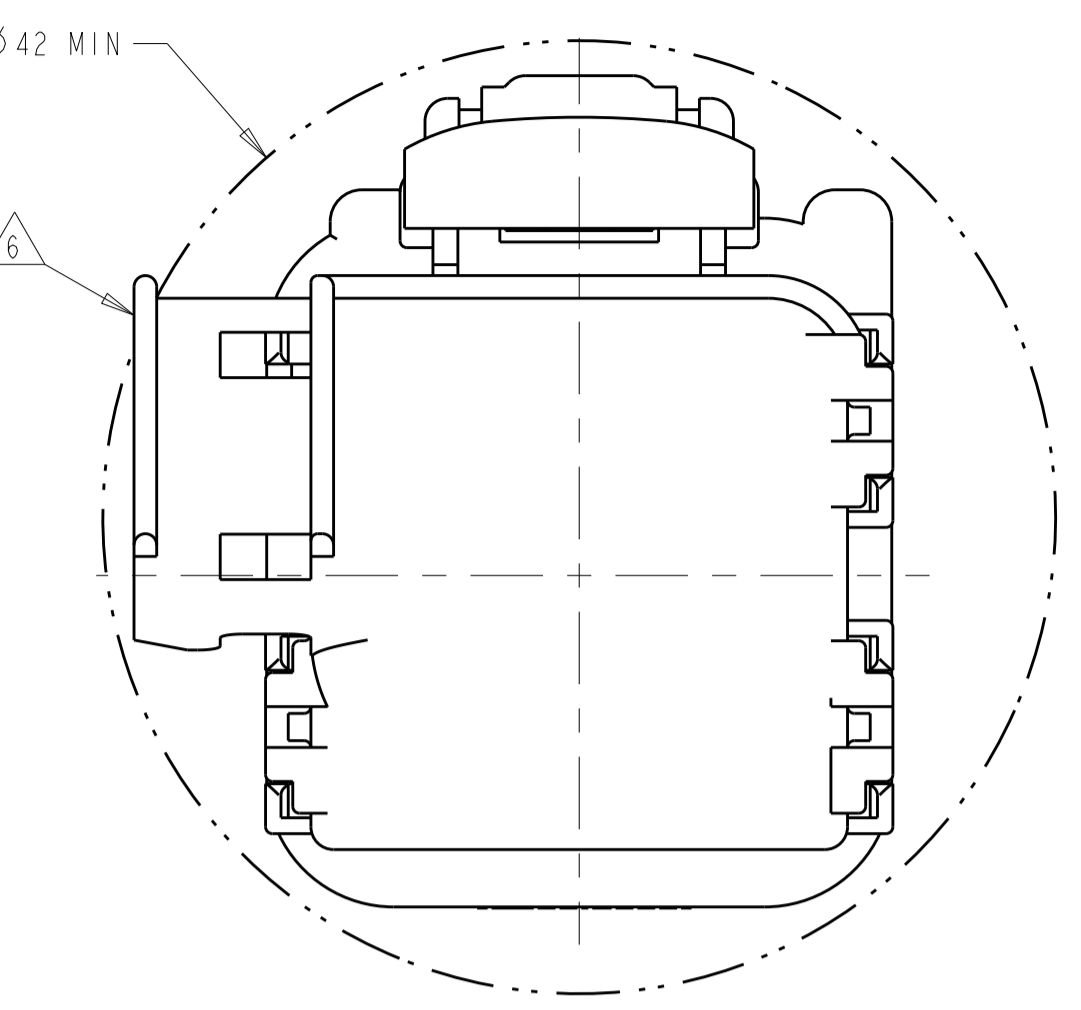
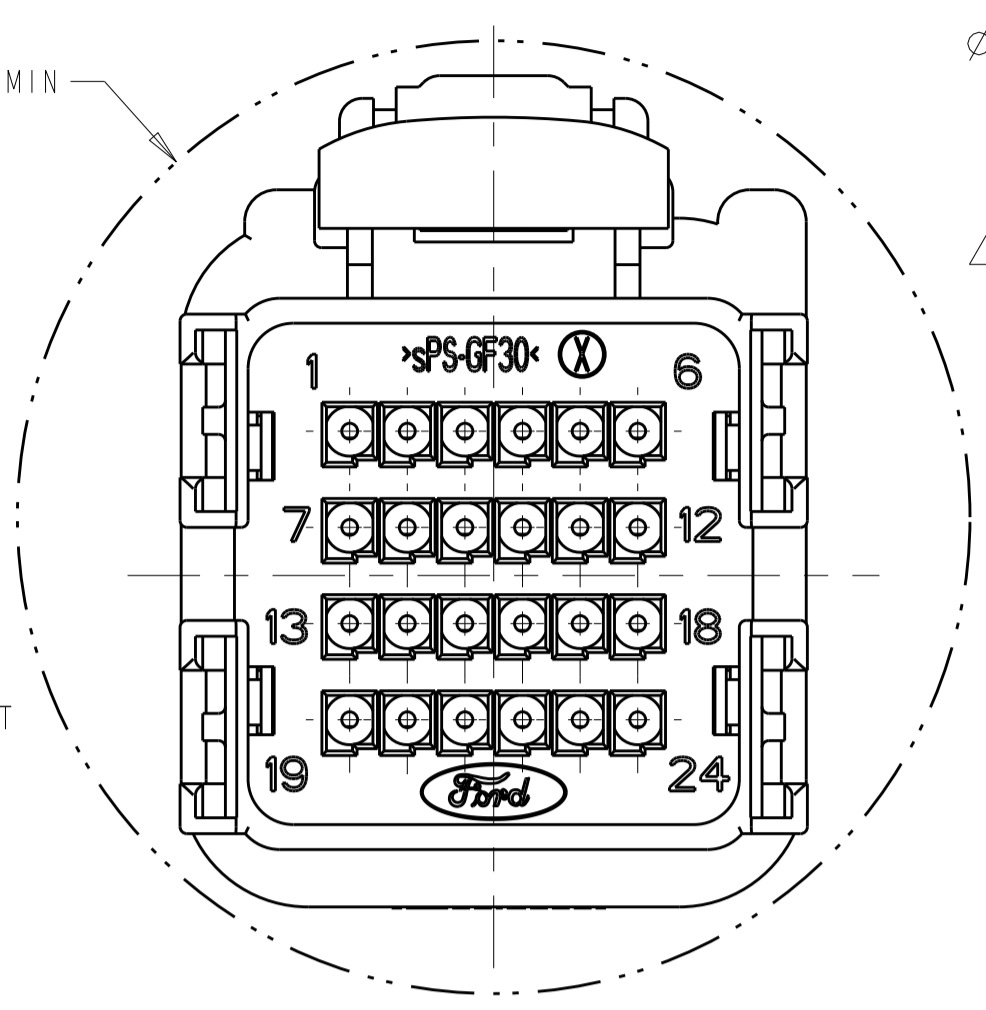
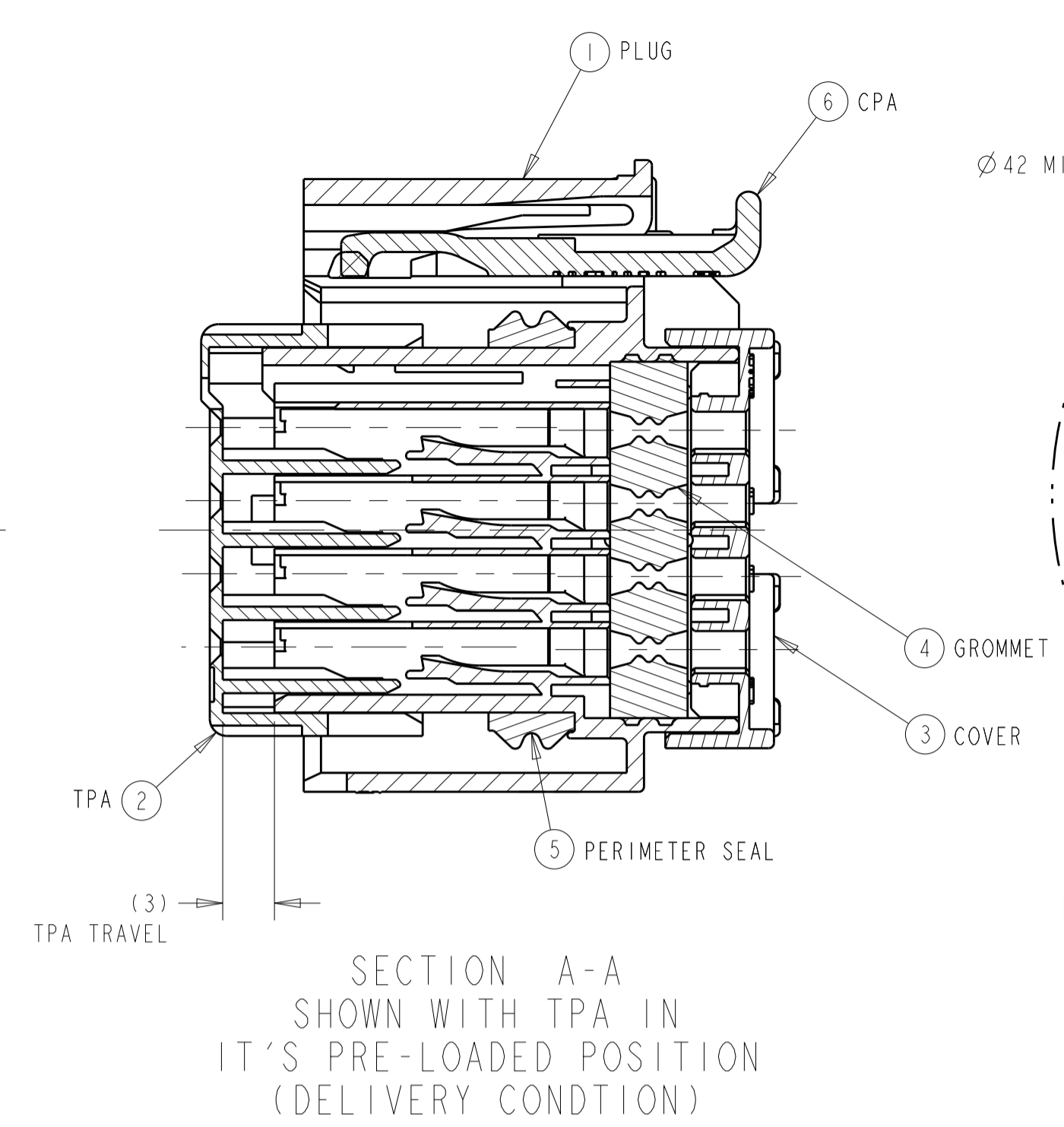
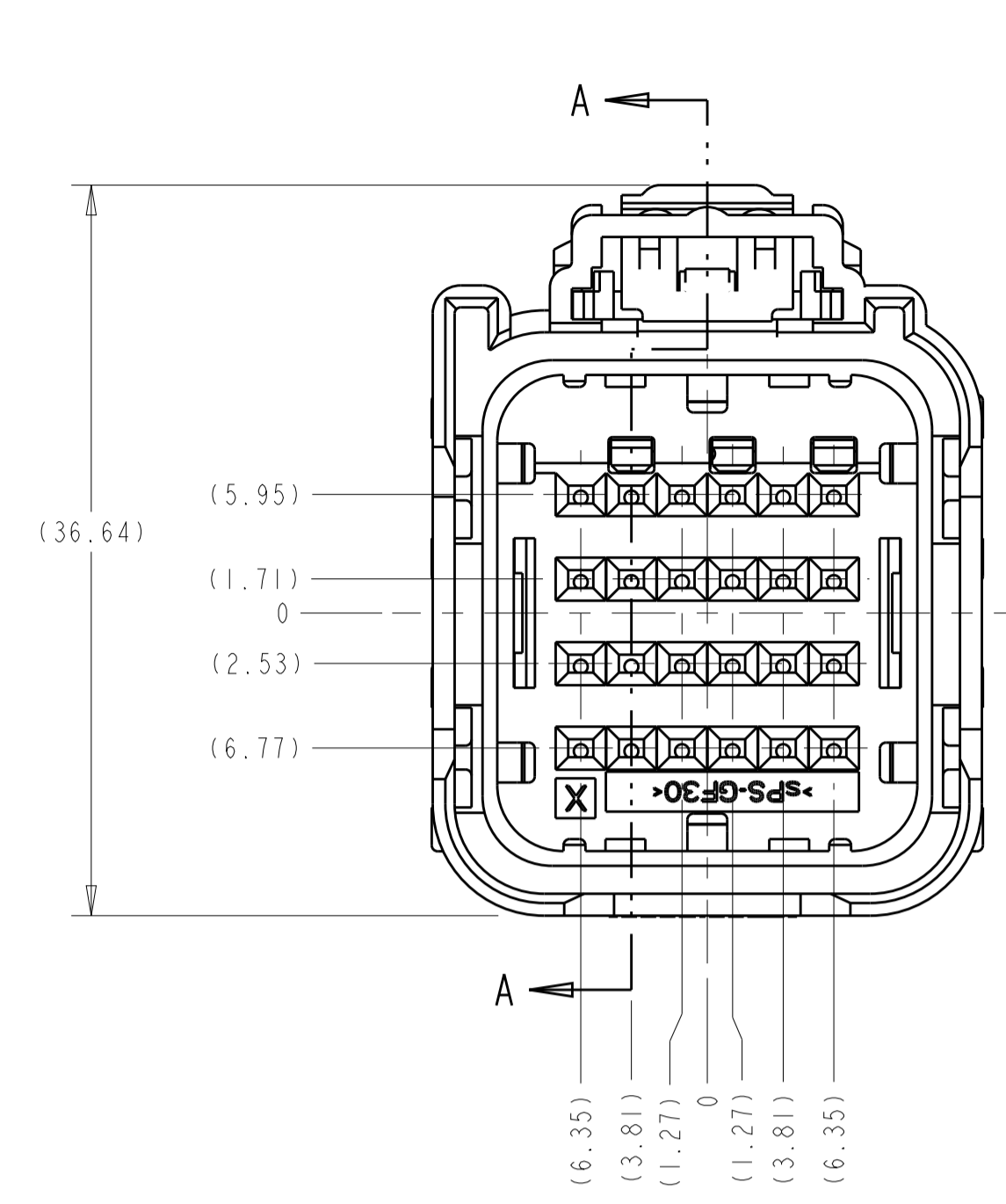
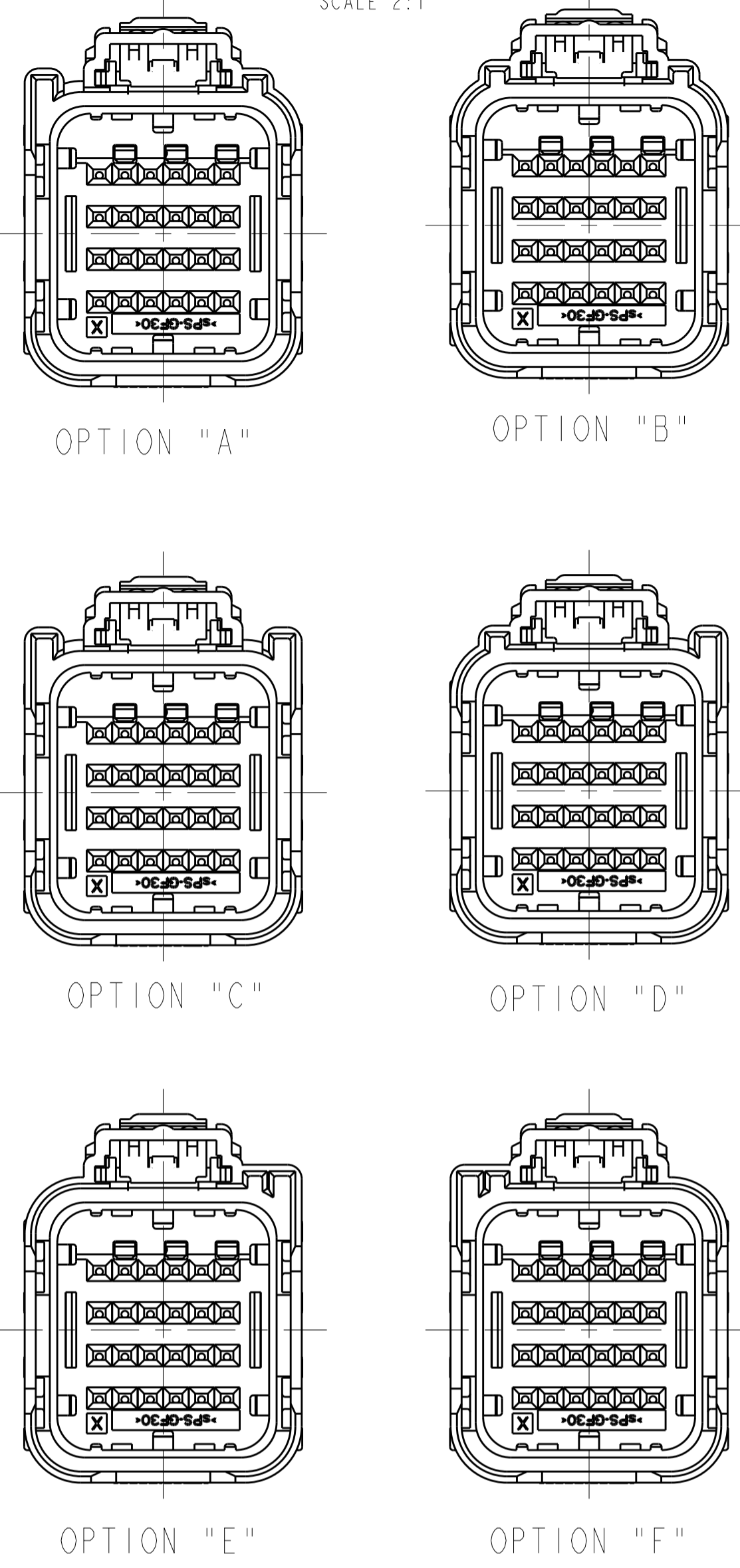


LOC	DIST	REVISIONS			
P	LTN	DESCRIPTION	DATE	OWN	APVD
BH		REVISED PER ECO-11-024643	08DEC2011	DLD	WTW
BJ		REVISED PER ECO-12-010178	05JUN2012	DLD	WTW
BK		REVISED PER ECO-12-017169	28SEP2012	DLD	WTW

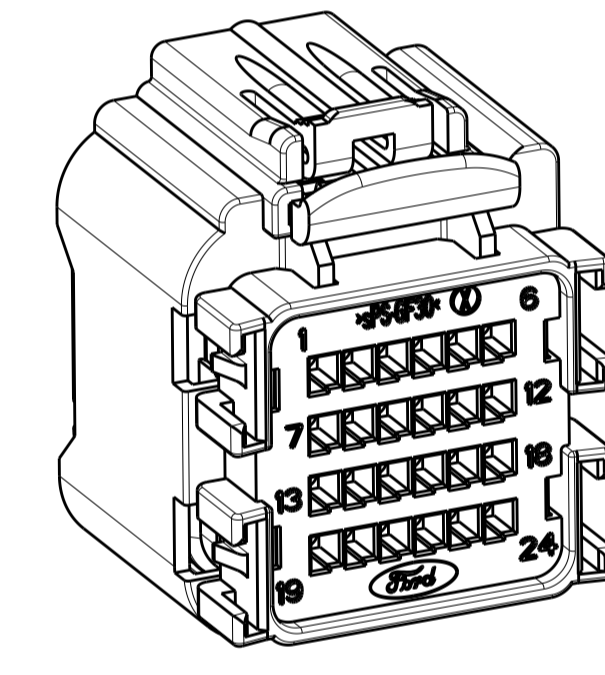
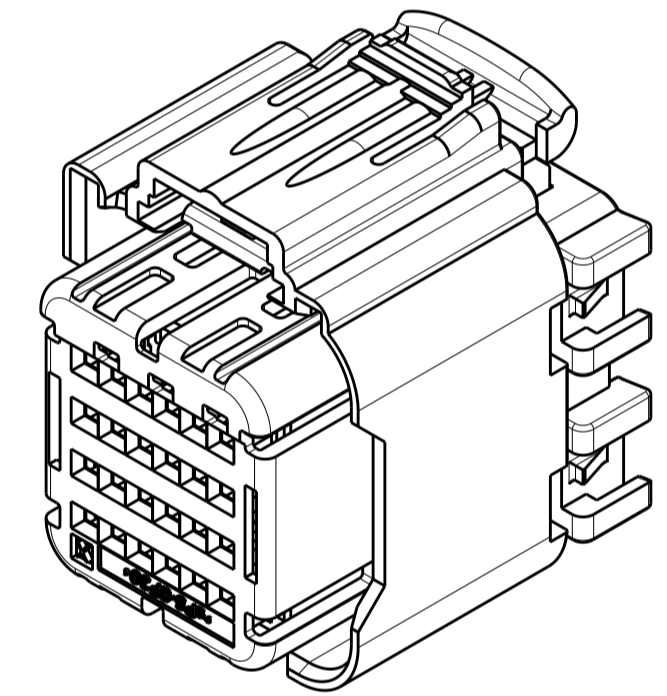
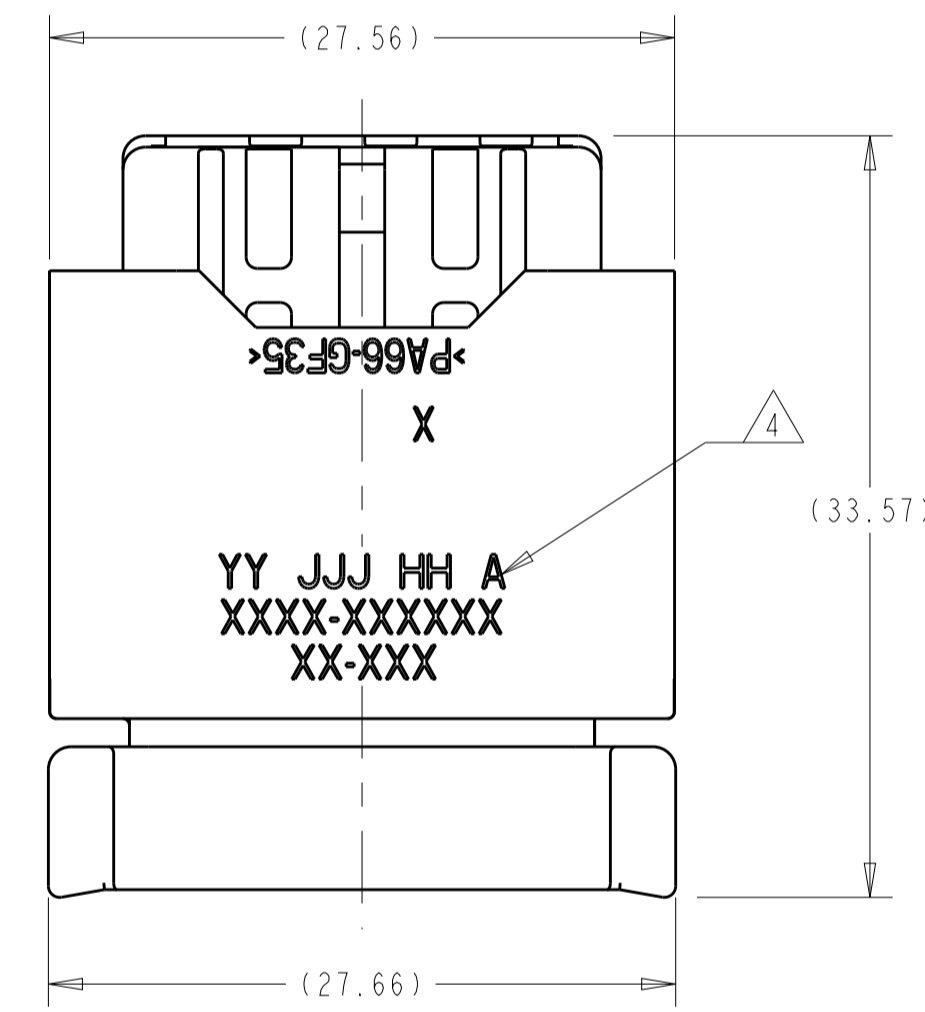
KEYING OPTIONS
SCALE 2:1



MINIMUM FEED THROUGH CONDITION WITH 1mm CLEARANCE ALL AROUND

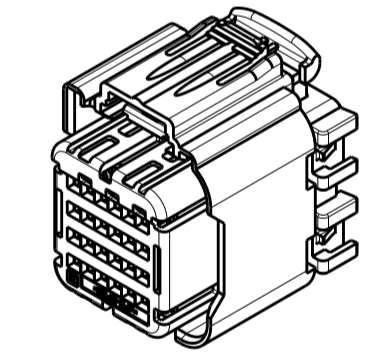
MINIMUM FEED THROUGH CONDITION WITH 1mm CLEARANCE ALL AROUND SHOWN WITH OPTION WIRESHIELD

- APPLICABLE TERMINAL PART NUMBERS (SOLD SEPARATELY):
FOR TIN APPLICATIONS: 1393367 AND 1393366.
FOR GOLD APPLICATIONS: 1393365 AND 1393364.
FOR TERMINATION AND REELING OPTIONS SEE DRAWINGS 1393367, 1393366, 1393365, AND 1393364.
- COMPATIBLE WIRE SIZES FOR MAT SEAL DESIGN 1.19 TO 2.06 O.D. (22-18 AWG, 0.35-0.75 mm²)
- TPA IS SHIPPED IN IT'S PRE-LOADED POSITION. ALL ASSEMBLIES ARE TO BE TRAY PACKAGED.
- CUSTOMER PART NUMBER AND TRACEABILITY CODE (YY = TWO DIGIT YEAR, JJJ = JULIAN DAY, HH = TWO DIGIT MILITARY HOUR, A = ASSEMBLY PROCESS USED) ARE PRINTED IN THIS LOCATION.
- PART ASSEMBLY WEIGHT WITHOUT TERMINALS AND WITH STANDARD PIN-OUT CONFIGURATION IS 14.39 GRAMS.
- OPTIONAL WIRESHIELD P/N 7-1419157-8 (SOLD SEPARATELY). PLEASE CONTACT YOUR TE SALES REPRESENTATIVE FOR AVAILABILITY AND PRICING.



SCALE 2:1

SCALE 2:1



SCALE 1:1

ASSEMBLY PART NUMBERS

ITEM	DESCRIPTION	MATERIAL	FINISH/COLOR
6	CPA	PBT 15% GF	RED
5	PERIMETER SEAL	SILICONE	GREEN
4	GROMMET	SILICONE	BROWN
3	COVER	PA66 35% GF	BLACK
2	TPA WITH 3 SHORTING BAR POSITIONS CONFIGURATION	sPS 30% GF	RED
1	PLUG WITH KEYING OPTION "F" AND 3 SHORTING BAR POSITIONS CONFIGURATION	PA66 35% GF	BLACK
1	PLUG WITH KEYING OPTION "E" AND 3 SHORTING BAR POSITIONS CONFIGURATION	PA66 35% GF	BLACK
1	PLUG WITH KEYING OPTION "D" AND 3 SHORTING BAR POSITIONS CONFIGURATION	PA66 35% GF	BLACK
1	PLUG WITH KEYING OPTION "C" AND 3 SHORTING BAR POSITIONS CONFIGURATION	PA66 35% GF	NATURAL
1	PLUG WITH KEYING OPTION "B" AND 3 SHORTING BAR POSITIONS CONFIGURATION	PA66 35% GF	BLACK
1	PLUG WITH KEYING OPTION "A" AND 3 SHORTING BAR POSITIONS CONFIGURATION	PA66 35% GF	GRAY

KEYING OPTION "A" SHOWN

THIS DRAWING IS A CONTROLLED DOCUMENT. DIMENSIONS: mm. TOLERANCES UNLESS OTHERWISE SPECIFIED: 0 PLC ±0.3, 1 PLC ±0.3, 2 PLC ±0.10, 3 PLC ±0.10, 4 PLC ±0.10, ANGLES ±0.5°. MATERIAL: SEE CHART ABOVE. FINISH: -.

OWN: M. FORLSKA, 16APR2002. CHK: M. FORLSKA, 16APR2002. APVD: A. VALASEK, 16APR2002. NAME: 24 WAY ARM, PLUG ASSEMBLY WITHOUT SHORTING BARS, CUSTOMER SPEC. PRODUCT SPEC: - APPLICATION SPEC: - SIZE: A1. CAGE CODE: 00779. DRAWING NO: 3-1419157-9. WEIGHT: SEE NOTE 5. CUSTOMER DRAWING: -.

TE Connectivity logo. RESTRICTED TO: -.

LOC	DIST	REVISIONS					
		P	LTN	DESCRIPTION	DATE	DWN	APVD
FX	00	-	-	SEE SHEET 1	-	-	-

ASSEMBLY PART NUMBERS		QUANTITY		ITEM	DESCRIPTION	MATERIAL	FINISH/COLOR
2096672-1							
2035010-2							
2035010-1							
2035009-3							
2035009-2							
2035009-1							
2035008-3							
2035008-2							
2035008-1							
2035007-2							
2035007-1							
3-1438103-6							
3-1438103-5							
3-1438103-4							
3-1438103-3							
3-1438103-2							
3-1438103-1							
3-1438103-0							
2-1438103-9							
2-1438103-8							
2-1438103-7							
2-1438103-6							
2-1438103-5							
2-1438103-4							
2-1438103-3							
2-1438103-2							
1-1438356-9							
1-1438356-8							
1-1438356-7							
1-1438356-6							
1-1438356-5							
1-1438356-4							
1438582-5							
1438582-4							
1-1438096-8							
1-1438096-5							
1-1438356-3							
1-1438103-9							
1-1438103-8							
				6	CPA	PBT 15% GF	RED
				5	PERIMETER SEAL	SILICONE	GREEN
				4	GROMMET	SILICONE	BROWN
				3	COVER	PA66 35% GF	BLACK
				2	TPA WITH 3 SHORTING BAR POSITIONS CONFIGURATION	sPS 30% GF	RED
				1	PLUG WITH KEYING OPTION "F" AND 3 SHORTING BAR POSITIONS CONFIGURATION	PA66 35% GF	BLACK
				1	PLUG WITH KEYING OPTION "E" AND 3 SHORTING BAR POSITIONS CONFIGURATION	PA66 35% GF	BLACK
				1	PLUG WITH KEYING OPTION "D" AND 3 SHORTING BAR POSITIONS CONFIGURATION	PA66 35% GF	BLACK
				1	PLUG WITH KEYING OPTION "C" AND 3 SHORTING BAR POSITIONS CONFIGURATION	PA66 35% GF	NATURAL
				1	PLUG WITH KEYING OPTION "B" AND 3 SHORTING BAR POSITIONS CONFIGURATION	PA66 35% GF	BLACK
				1	PLUG WITH KEYING OPTION "A" AND 3 SHORTING BAR POSITIONS CONFIGURATION	PA66 35% GF	GRAY

THIS DRAWING IS A CONTROLLED DOCUMENT. DWN M. FORLSKA 16APR2002
 CHK M. FORLSKA 16APR2002
 APVD A. VALASEK 16APR2002

DIMENSIONS: mm
 TOLERANCES UNLESS OTHERWISE SPECIFIED:
 0 PLC ±
 1 PLC ±0.3
 2 PLC ±0.10
 3 PLC ±
 4 PLC ±
 ANGLES ±
 FINISH

MATERIAL: SEE CHART ABOVE
 CUSTOMER DRAWING

NAME: 24 WAY ARM, PLUG ASSEMBLY WITHOUT SHORTING BARS, CUSTOMER SPEC.
 SIZE: A1
 CAGE CODE: 00779
 DRAWING NO: 3-1419157-9
 RESTRICTED TO: BK

SCALE: 3:1
 SHEET: 2 OF 3
 REV: BK



Данный компонент на территории Российской Федерации

Вы можете приобрести в компании MosChip.

Для оперативного оформления запроса Вам необходимо перейти по данной ссылке:

<http://moschip.ru/get-element>

Вы можете разместить у нас заказ для любого Вашего проекта, будь то серийное производство или разработка единичного прибора.

В нашем ассортименте представлены ведущие мировые производители активных и пассивных электронных компонентов.

Нашей специализацией является поставка электронной компонентной базы двойного назначения, продукции таких производителей как XILINX, Intel (ex.ALTERA), Vicor, Microchip, Texas Instruments, Analog Devices, Mini-Circuits, Amphenol, Glenair.

Сотрудничество с глобальными дистрибьюторами электронных компонентов, предоставляет возможность заказывать и получать с международных складов практически любой перечень компонентов в оптимальные для Вас сроки.

На всех этапах разработки и производства наши партнеры могут получить квалифицированную поддержку опытных инженеров.

Система менеджмента качества компании отвечает требованиям в соответствии с ГОСТ Р ИСО 9001, ГОСТ РВ 0015-002 и ЭС РД 009

Офис по работе с юридическими лицами:

105318, г.Москва, ул.Щербаковская д.3, офис 1107, 1118, ДЦ «Щербаковский»

Телефон: +7 495 668-12-70 (многоканальный)

Факс: +7 495 668-12-70 (доб.304)

E-mail: info@moschip.ru

Skype отдела продаж:

moschip.ru

moschip.ru_4

moschip.ru_6

moschip.ru_9