



**MICROCHIP**

---

**MCP39F521  
Power Monitor  
Demonstration Board  
User's Guide**

---

**Note the following details of the code protection feature on Microchip devices:**

- Microchip products meet the specification contained in their particular Microchip Data Sheet.
- Microchip believes that its family of products is one of the most secure families of its kind on the market today, when used in the intended manner and under normal conditions.
- There are dishonest and possibly illegal methods used to breach the code protection feature. All of these methods, to our knowledge, require using the Microchip products in a manner outside the operating specifications contained in Microchip's Data Sheets. Most likely, the person doing so is engaged in theft of intellectual property.
- Microchip is willing to work with the customer who is concerned about the integrity of their code.
- Neither Microchip nor any other semiconductor manufacturer can guarantee the security of their code. Code protection does not mean that we are guaranteeing the product as "unbreakable."

Code protection is constantly evolving. We at Microchip are committed to continuously improving the code protection features of our products. Attempts to break Microchip's code protection feature may be a violation of the Digital Millennium Copyright Act. If such acts allow unauthorized access to your software or other copyrighted work, you may have a right to sue for relief under that Act.

---

Information contained in this publication regarding device applications and the like is provided only for your convenience and may be superseded by updates. It is your responsibility to ensure that your application meets with your specifications. MICROCHIP MAKES NO REPRESENTATIONS OR WARRANTIES OF ANY KIND WHETHER EXPRESS OR IMPLIED, WRITTEN OR ORAL, STATUTORY OR OTHERWISE, RELATED TO THE INFORMATION, INCLUDING BUT NOT LIMITED TO ITS CONDITION, QUALITY, PERFORMANCE, MERCHANTABILITY OR FITNESS FOR PURPOSE. Microchip disclaims all liability arising from this information and its use. Use of Microchip devices in life support and/or safety applications is entirely at the buyer's risk, and the buyer agrees to defend, indemnify and hold harmless Microchip from any and all damages, claims, suits, or expenses resulting from such use. No licenses are conveyed, implicitly or otherwise, under any Microchip intellectual property rights unless otherwise stated.

**Trademarks**

The Microchip name and logo, the Microchip logo, dsPIC, FlashFlex, flexPWR, JukeBlox, KEELOQ, KEELOQ logo, Kleer, LANCheck, MediaLB, MOST, MOST logo, MPLAB, OptoLyzer, PIC, PICSTART, PIC<sup>32</sup> logo, RightTouch, SpyNIC, SST, SST Logo, SuperFlash and UNI/O are registered trademarks of Microchip Technology Incorporated in the U.S.A. and other countries.

The Embedded Control Solutions Company and mTouch are registered trademarks of Microchip Technology Incorporated in the U.S.A.

Analog-for-the-Digital Age, BodyCom, chipKIT, chipKIT logo, CodeGuard, dsPICDEM, dsPICDEM.net, ECAN, In-Circuit Serial Programming, ICSP, Inter-Chip Connectivity, KleerNet, KleerNet logo, MiWi, motorBench, MPASM, MPF, MPLAB Certified logo, MPLIB, MPLINK, MultiTRAK, NetDetach, Omniscient Code Generation, PICDEM, PICDEM.net, PICkit, PICtail, RightTouch logo, REAL ICE, SQI, Serial Quad I/O, Total Endurance, TSHARC, USBCheck, VariSense, ViewSpan, WiperLock, Wireless DNA, and ZENA are trademarks of Microchip Technology Incorporated in the U.S.A. and other countries.

SQTP is a service mark of Microchip Technology Incorporated in the U.S.A.

Silicon Storage Technology is a registered trademark of Microchip Technology Inc. in other countries.

GestIC is a registered trademark of Microchip Technology Germany II GmbH & Co. KG, a subsidiary of Microchip Technology Inc., in other countries.

All other trademarks mentioned herein are property of their respective companies.

© 2015, Microchip Technology Incorporated, Printed in the U.S.A., All Rights Reserved.

ISBN: 978-1-63277-821-5

**QUALITY MANAGEMENT SYSTEM  
CERTIFIED BY DNV  
= ISO/TS 16949 =**

*Microchip received ISO/TS-16949:2009 certification for its worldwide headquarters, design and wafer fabrication facilities in Chandler and Tempe, Arizona; Gresham, Oregon and design centers in California and India. The Company's quality system processes and procedures are for its PIC<sup>®</sup> MCUs and dsPIC<sup>®</sup> DSCs, KEELOQ<sup>®</sup> code hopping devices, Serial EEPROMs, microperipherals, nonvolatile memory and analog products. In addition, Microchip's quality system for the design and manufacture of development systems is ISO 9001:2000 certified.*

**Object of Declaration: MCP39F521 Power Monitor Demonstration Board**

EU Declaration of Conformity

Manufacturer: Microchip Technology Inc.  
2355 W. Chandler Blvd.  
Chandler, Arizona, 85224-6199  
USA

This declaration of conformity is issued by the manufacturer.

The development/evaluation tool is designed to be used for research and development in a laboratory environment. This development/evaluation tool is not intended to be a finished appliance, nor is it intended for incorporation into finished appliances that are made commercially available as single functional units to end users. This development/evaluation tool complies with EU EMC Directive 2004/108/EC and as supported by the European Commission's Guide for the EMC Directive 2004/108/EC (8<sup>th</sup> February 2010).

This development/evaluation tool complies with EU RoHS2 Directive 2011/65/EU.

This development/evaluation tool, when incorporating wireless and radio-telecom functionality, is in compliance with the essential requirement and other relevant provisions of the R&TTE Directive 1999/5/EC and the FCC rules as stated in the declaration of conformity provided in the module datasheet and the module product page available at [www.microchip.com](http://www.microchip.com).

For information regarding the exclusive, limited warranties applicable to Microchip products, please see Microchip's standard terms and conditions of sale, which are printed on our sales documentation and available at [www.microchip.com](http://www.microchip.com).

Signed for and on behalf of Microchip Technology Inc. at Chandler, Arizona, USA

  
Derek Carlson  
VP Development Tools

12-Sep-14  
Date

# MCP39F521 Power Monitor Demonstration Board User's Guide

---

---

NOTES:



# MCP39F521 POWER MONITOR DEMONSTRATION BOARD USER'S GUIDE

---

---

## Table of Contents

---

---

<b>Preface</b> .....	<b>7</b>
Introduction.....	7
Document Layout .....	7
Conventions Used in this Guide .....	8
Recommended Reading.....	9
The Microchip Web Site .....	9
Customer Support .....	9
Document Revision History .....	9
<b>Chapter 1. Product Overview</b>	
1.1 Introduction .....	11
1.2 What the MCP39F521 Power Monitor Demonstration Board Kit Includes ...	12
<b>Chapter 2. Installation and Operation</b>	
2.1 Getting Started .....	13
<b>Chapter 3. Hardware Description</b>	
3.1 Input and Analog Front End .....	17
3.2 Power Supply Circuit .....	18
<b>Appendix A. Schematic and Layouts</b>	
A.1 Introduction .....	19
A.2 Schematics and PCB Layout .....	19
A.3 Board – MCP39F521 Schematic .....	20
A.4 Board – Power and USB Schematic .....	21
A.5 Board – Top Silk .....	22
A.6 Board – Top Copper and Silk .....	23
A.7 Board – Top Copper .....	24
A.8 Board – Bottom Copper .....	25
A.9 Board – Bottom Copper and Silk .....	26
A.10 Board – Bottom Silk .....	27
<b>Appendix B. Bill of Materials (BOM)</b>	
<b>Worldwide Sales and Service</b> .....	<b>32</b>

# MCP39F521 Power Monitor Demonstration Board User's Guide

---

---

NOTES:



# MCP39F521 POWER MONITOR DEMONSTRATION BOARD USER'S GUIDE

## Preface

### NOTICE TO CUSTOMERS

All documentation becomes dated, and this manual is no exception. Microchip tools and documentation are constantly evolving to meet customer needs, so some actual dialogs and/or tool descriptions may differ from those in this document. Please refer to our web site ([www.microchip.com](http://www.microchip.com)) to obtain the latest documentation available.

Documents are identified with a “DS” number. This number is located on the bottom of each page, in front of the page number. The numbering convention for the DS number is “DSXXXXXXXXA”, where “XXXXXXXX” is the document number and “A” is the revision level of the document.

For the most up-to-date information on development tools, see the MPLAB® IDE online help. Select the Help menu, and then Topics to open a list of available online help files.

## INTRODUCTION

This chapter contains general information that will be useful to know before using the MCP39F521 Power Monitor Demonstration Board. Items discussed in this chapter include:

- [Document Layout](#)
- [Conventions Used in this Guide](#)
- [Recommended Reading](#)
- [The Microchip Web Site](#)
- [Customer Support](#)
- [Document Revision History](#)

## DOCUMENT LAYOUT

This document describes how to use the MCP39F521 Power Monitor Demonstration Board to evaluate the MCP39F521 device. The manual layout is as follows:

- [Chapter 1. “Product Overview”](#) – Provides important information about the MCP39F521 Power Monitor Demonstration Board
- [Chapter 2. “Installation and Operation”](#) – Provides information on using the MCP39F521 Power Monitor Demonstration Board, including [Section 2.1.1](#) that describes wiring the line and load connections
- [Chapter 3. “Hardware Description”](#) – Provides details on the functional blocks of the power monitor, including the analog front-end design and power supply design
- [Appendix A. “Schematic and Layouts”](#) – Shows the schematic and layout diagrams
- [Appendix B. “Bill of Materials \(BOM\)”](#) – Lists the parts used to build the MCP39F521 Power Monitor Demonstration Board

## CONVENTIONS USED IN THIS GUIDE

This manual uses the following documentation conventions:

### DOCUMENTATION CONVENTIONS

Description	Represents	Examples
<b>Arial font:</b>		
Italic characters	Referenced books	<i>MPLAB<sup>®</sup> IDE User's Guide</i>
	Emphasized text	...is the <i>only</i> compiler...
Initial caps	A window	the Output window
	A dialog	the Settings dialog
	A menu selection	select Enable Programmer
Quotes	A field name in a window or dialog	"Save project before build"
Underlined, italic text with right angle bracket	A menu path	<u><i>File</i></u> >Save
Bold characters	A dialog button	Click <b>OK</b>
	A tab	Click the <b>Power</b> tab
N'Rnnnn	A number in verilog format, where N is the total number of digits, R is the radix and n is a digit.	4'b0010, 2'hF1
Text in angle brackets < >	A key on the keyboard	Press <Enter>, <F1>
<b>Courier New font:</b>		
Plain Courier New	Sample source code	#define START
	Filenames	autoexec.bat
	File paths	c:\mcc18\h
	Keywords	_asm, _endasm, static
	Command-line options	-Opa+, -Opa-
	Bit values	0, 1
	Constants	0xFF, 'A'
Italic Courier New	A variable argument	<i>file.o</i> , where <i>file</i> can be any valid filename
Square brackets [ ]	Optional arguments	mcc18 [options] <i>file</i> [options]
Curly brackets and pipe character: {   }	Choice of mutually exclusive arguments; an OR selection	errorlevel {0 1}
Ellipses...	Replaces repeated text	var_name [, var_name...]
	Represents code supplied by user	void main (void) { ... }



## RECOMMENDED READING

This user's guide describes how to use the MCP39F521 Power Monitor Demonstration Board. Other useful documents are listed below. The following Microchip documents are available and recommended as supplemental reference resources.

**MCP39F521 Data Sheet – “ $I^2C$  Single Phase Energy and Power Monitoring IC with Calculation” (DS20005442)**

This data sheet provides detailed information regarding the MCP39F521 device.

## THE MICROCHIP WEB SITE

Microchip provides online support via our web site at [www.microchip.com](http://www.microchip.com). This web site is used as a means to make files and information easily available to customers. Accessible by using your favorite Internet browser, the web site contains the following information:

- **Product Support** – Data sheets and errata, application notes and sample programs, design resources, user's guides and hardware support documents, latest software releases and archived software
- **General Technical Support** – Frequently Asked Questions (FAQs), technical support requests, online discussion groups, Microchip consultant program member listing
- **Business of Microchip** – Product selector and ordering guides, latest Microchip press releases, listing of seminars and events, listings of Microchip sales offices, distributors and factory representatives

## CUSTOMER SUPPORT

Users of Microchip products can receive assistance through several channels:

- Distributor or Representative
- Local Sales Office
- Field Application Engineer (FAE)
- Technical Support

Customers should contact their distributor, representative or field application engineer (FAE) for support. Local sales offices are also available to help customers. A listing of sales offices and locations is included in the back of this document.

Technical support is available through the web site at: <http://support.microchip.com>

## DOCUMENT REVISION HISTORY

**Revision A (September 2015)**

- Initial release of this document.

# MCP39F521 Power Monitor Demonstration Board User's Guide

---

---

NOTES:



## 1.2 WHAT THE MCP39F521 POWER MONITOR DEMONSTRATION BOARD KIT INCLUDES

This MCP39F521 Power Monitor Demonstration Board kit includes:

- MCP39F521 Power Monitor Demonstration Board (ADM00686)
- AC Line Cable
- IEC-to-Female AC Load Cable
- Mini-USB Cable
- Important Information Sheet

---

---

## Chapter 2. Installation and Operation

---

---

### 2.1 GETTING STARTED

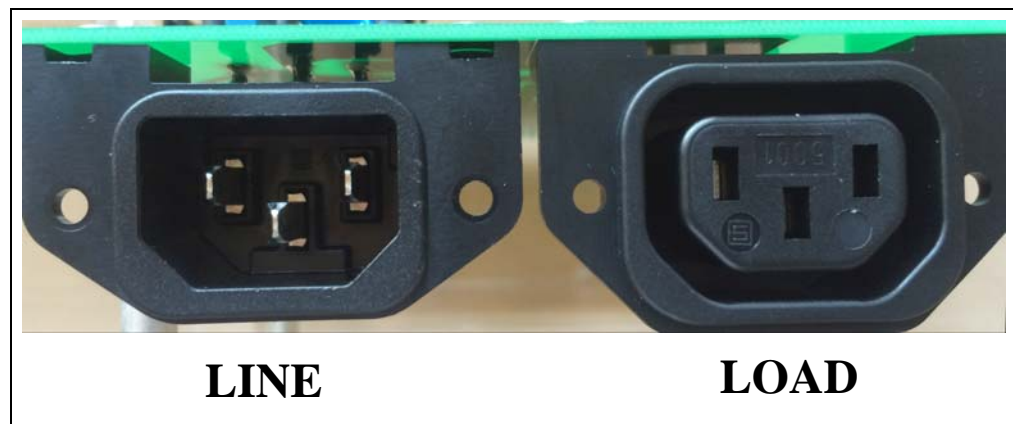
To use the MCP39F521 Power Monitor Demonstration Board, follow the steps described in the following sections. The meter design uses a 5A load for calibration current and a maximum current ( $I_{MAX}$ ) of 15A.

It is not recommended to put more than 15A through the AC plugs mounted on the Printed Circuit Board (PCB).

To test the calibrated meter, the following connections can be made:

#### 2.1.1 Step 1: Wiring connections

**Figure 2-1** identifies the line and load connections of the MCP39F521 Power Monitor Demonstration Board.



**FIGURE 2-1:** Connecting the MCP39F521 Power Monitor Demonstration Board.

#### 2.1.2 Step 2: Turn on line/load power to the meter (power the meter)

The meter will turn on when the line connection is powered by 90V to 220V.

#### 2.1.3 Step 3: Connect the USB cable to a PC with the installed “MCP39F521 Power Monitor Utility” software

Select the appropriate COM port. If the meter is connected correctly, the connection status in the bottom-left corner of the software will display “Meter Connected”. If no meter is found, the status will be “Meter Disconnected”. Check that the correct COM port was selected and try again. Press the “Start” icon to begin showing output data and UART transmission between the PC and the MCP39F521.

# MCP39F521 Power Monitor Demonstration Board User's Guide

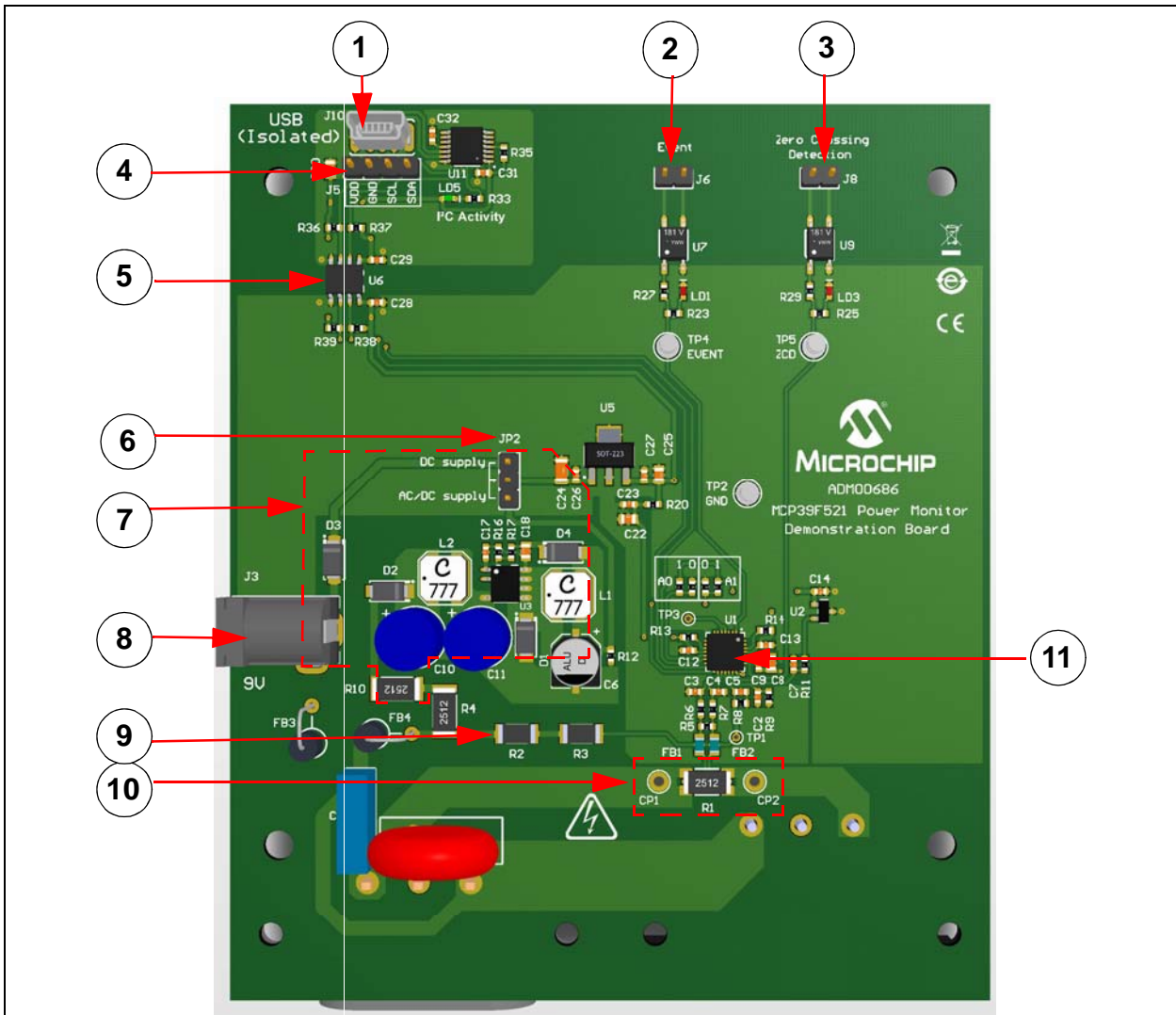
---

---

NOTES:

**Chapter 3. Hardware Description**

This chapter identifies the main features of the MCP39F521 board and describes the circuits. [Figure 3-1](#) illustrates the components on the top view.

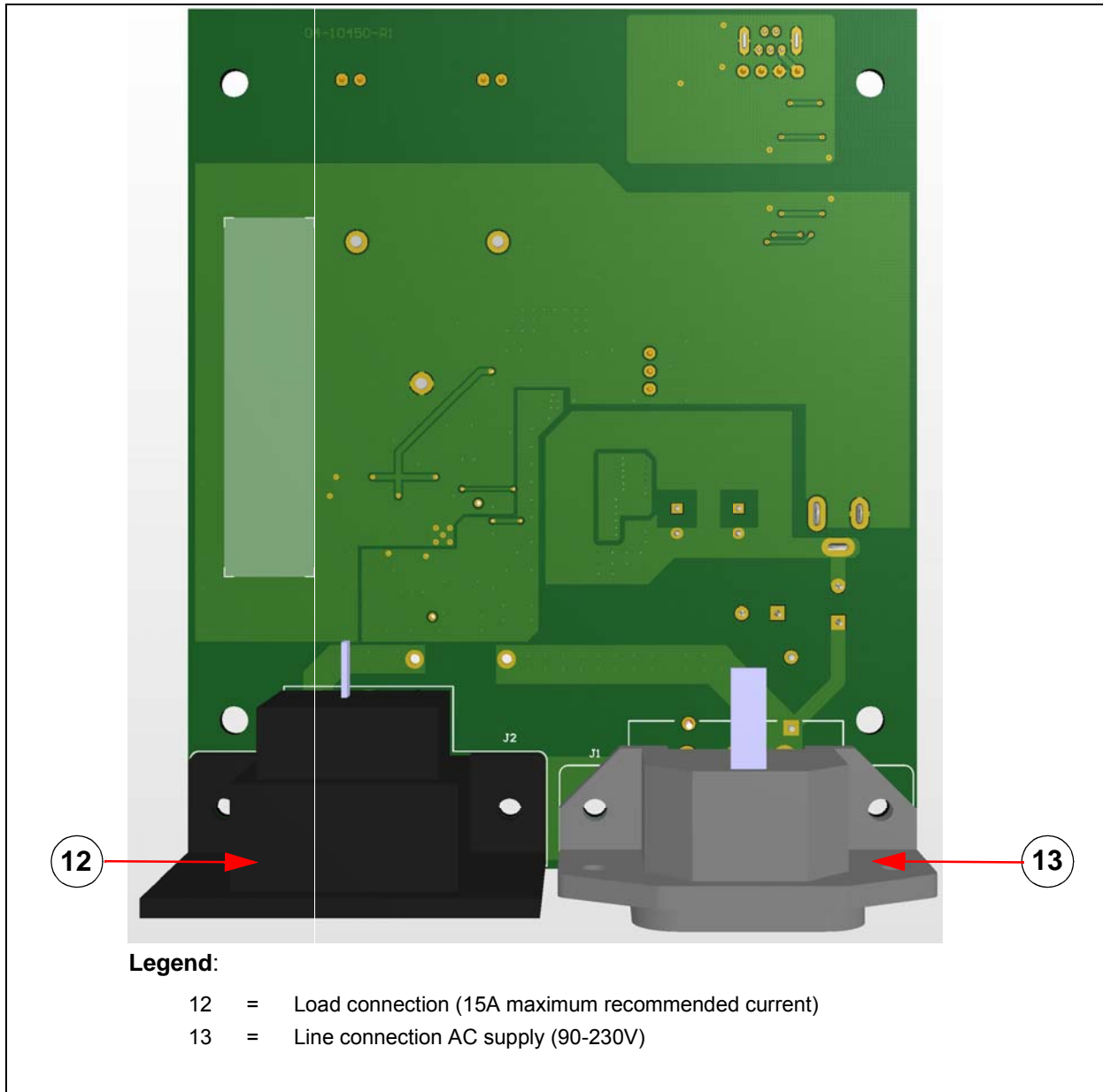


**Legend:**

- |   |   |
|---|---|
| 1 = USB Connection (isolated)                               | 7 = Switching AC/DC Power Supply                            |
| 2 = Event Digital Output                                    | 8 = +9V DC Input (non-isolated)                             |
| 3 = Zero Cross Digital Output                               | 9 = 1000:1 Voltage Divider for Voltage Input                |
| 4 = Header for connection to external master MCU (isolated) | 10 = Connections to external shunt current sensing resistor |
| 5 = Isolation IC  | 11 = MCP39F521  |
| 6 = Jumper for DC or Switching AC/DC Supply                 |   |

**FIGURE 3-1:** MCP39F521 Power Monitor Demonstration Board Top View.

Figure 3-2 illustrates the components on the board's bottom view.



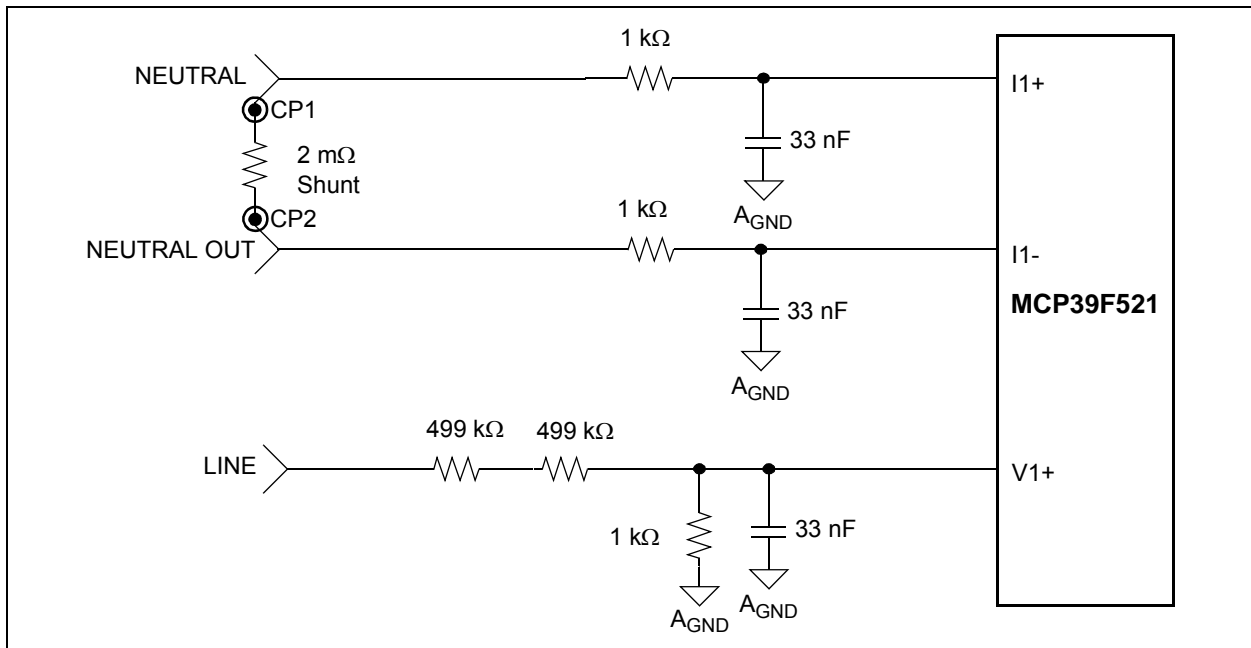
**FIGURE 3-2:** MCP39F521 Power Monitor Demonstration Board Bottom View.



## 3.1 INPUT AND ANALOG FRONT END

The MCP39F521 Power Monitor Demonstration Board will operate from 90V to 230V. At the bottom of the main board are the high-voltage line and neutral connections. The shunt sits on the neutral side, or low side, of a two-wire system. The board comes populated with a surface mount 2 mΩ shunt. If a lower value external shunt is to be used, the wires going from the external shunt to the CP1 and CP2 connections should be twisted together.

The neutral side of the two-wire system goes into a resistor divider on the voltage channel input, along with a DC offset added from  $V_{DD}$ . Anti-aliasing low-pass filters are included. The voltage channel uses two 499 kΩ resistors to achieve a divider ratio of 1000:1. For a line voltage of 220  $V_{RMS}$ , the channel 1 input signal size will be 220 mV<sub>RMS</sub>.

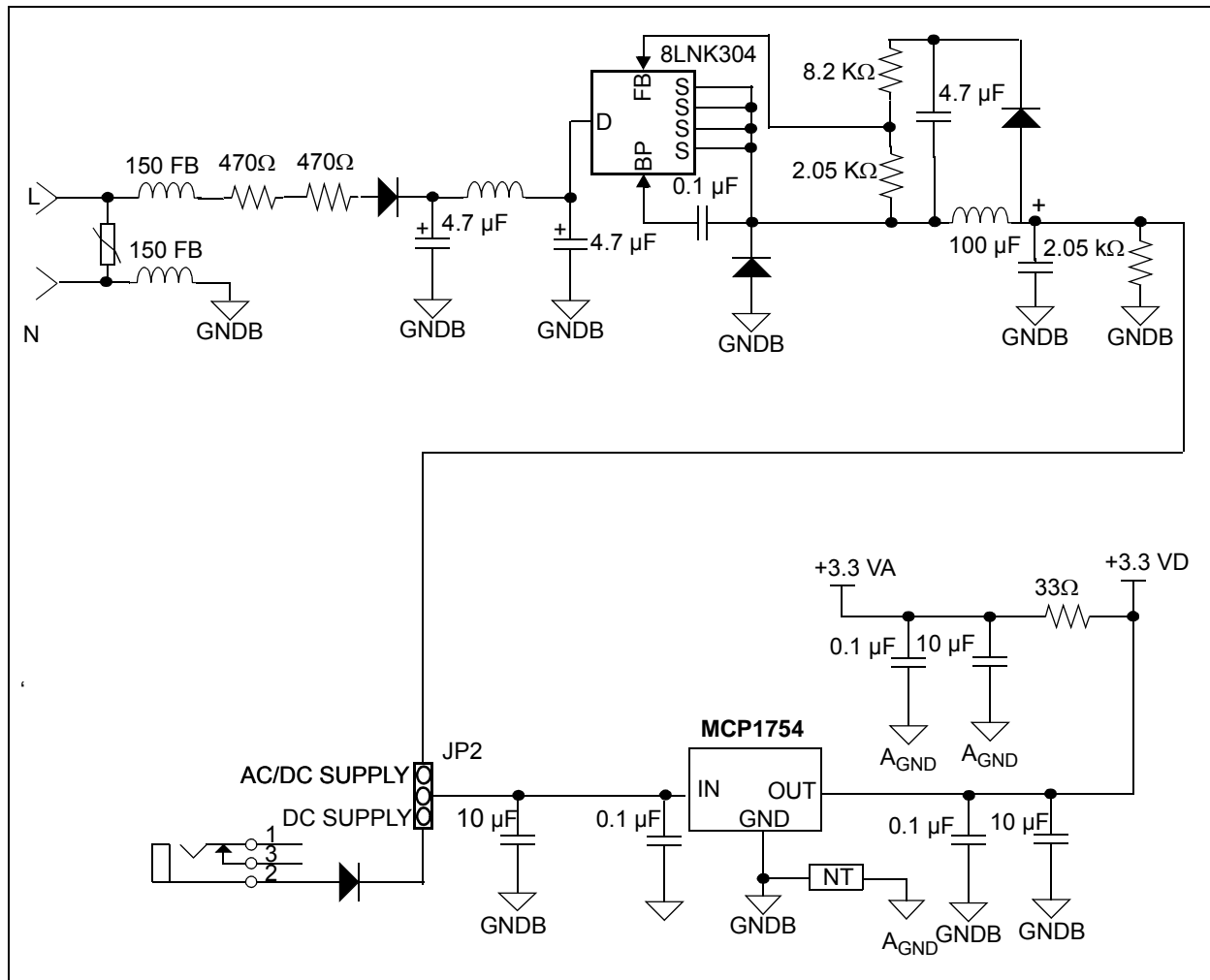


**FIGURE 3-3:** Analog Front-End Circuitry.

Note that all of the analog circuitry associated with this part of the circuit is connected to the analog ground plane ( $A_{GND}$ ).

## 3.2 POWER SUPPLY CIRCUIT

The power supply circuit for the MCP39F521 Power Monitor Demonstration Board is shown in [Figure 3-4](#).



**FIGURE 3-4:** Power Supply Circuit with Option for AC/DC Switching Supply from Mains or DC Supply.



## Appendix A. Schematic and Layouts

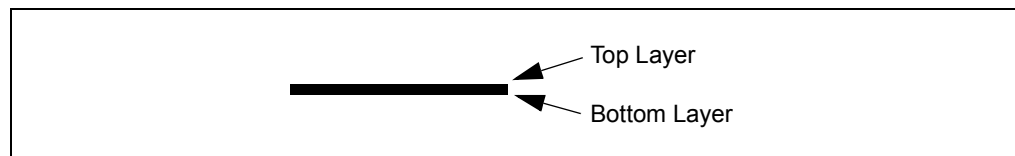
### A.1 INTRODUCTION

This appendix contains the following schematics and layouts for of the MCP39F521 Power Monitor Demonstration Board:

- Board – MCP39F521 Schematic
- Board – Power and USB Schematic
- Board – Top Silk
- Board – Top Copper and Silk
- Board – Top Copper
- Board – Bottom Copper
- Board – Bottom Copper and Silk
- Board – Bottom Silk

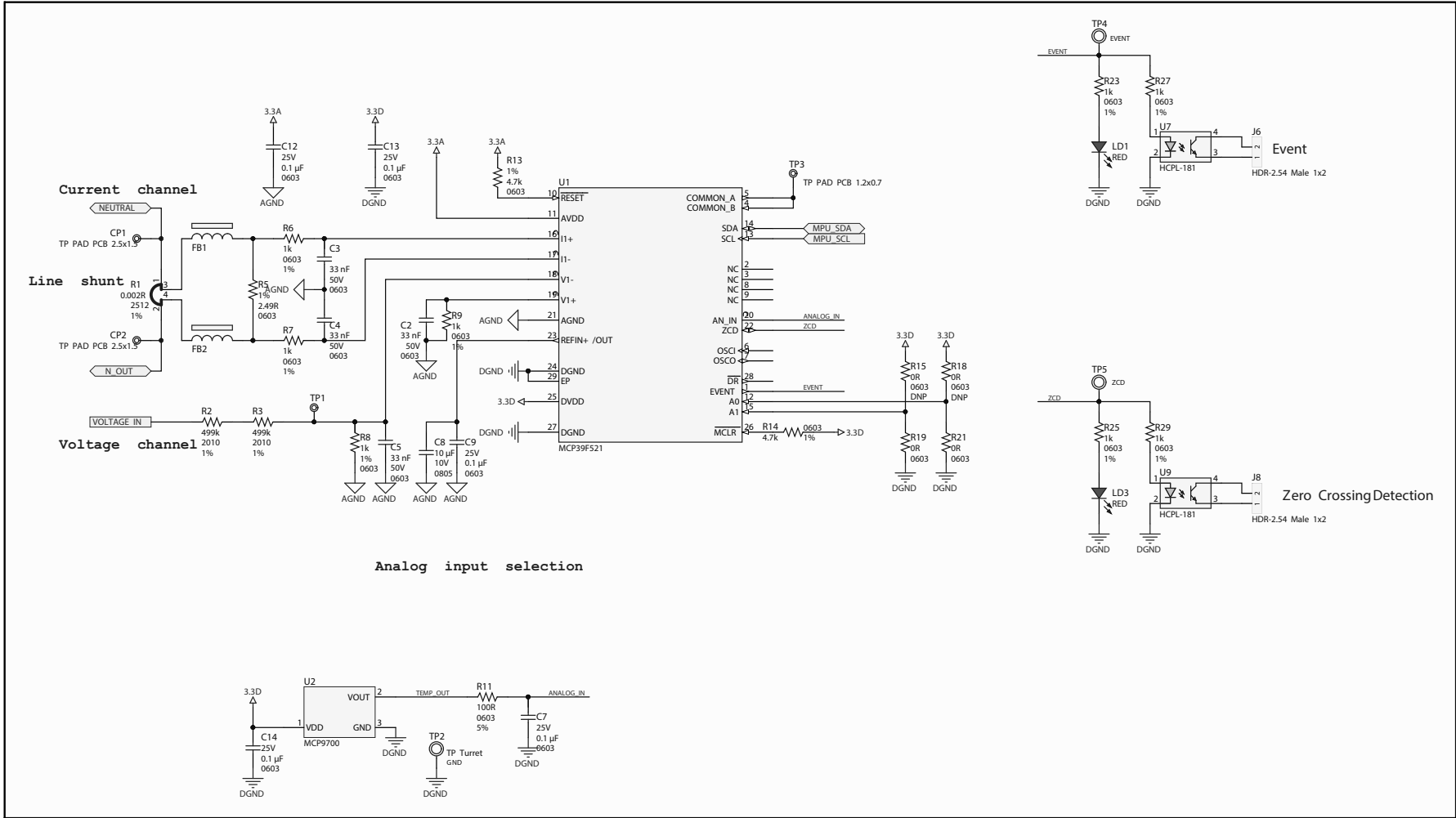
### A.2 SCHEMATICS AND PCB LAYOUT

The layer order is shown in [Figure A-1](#).

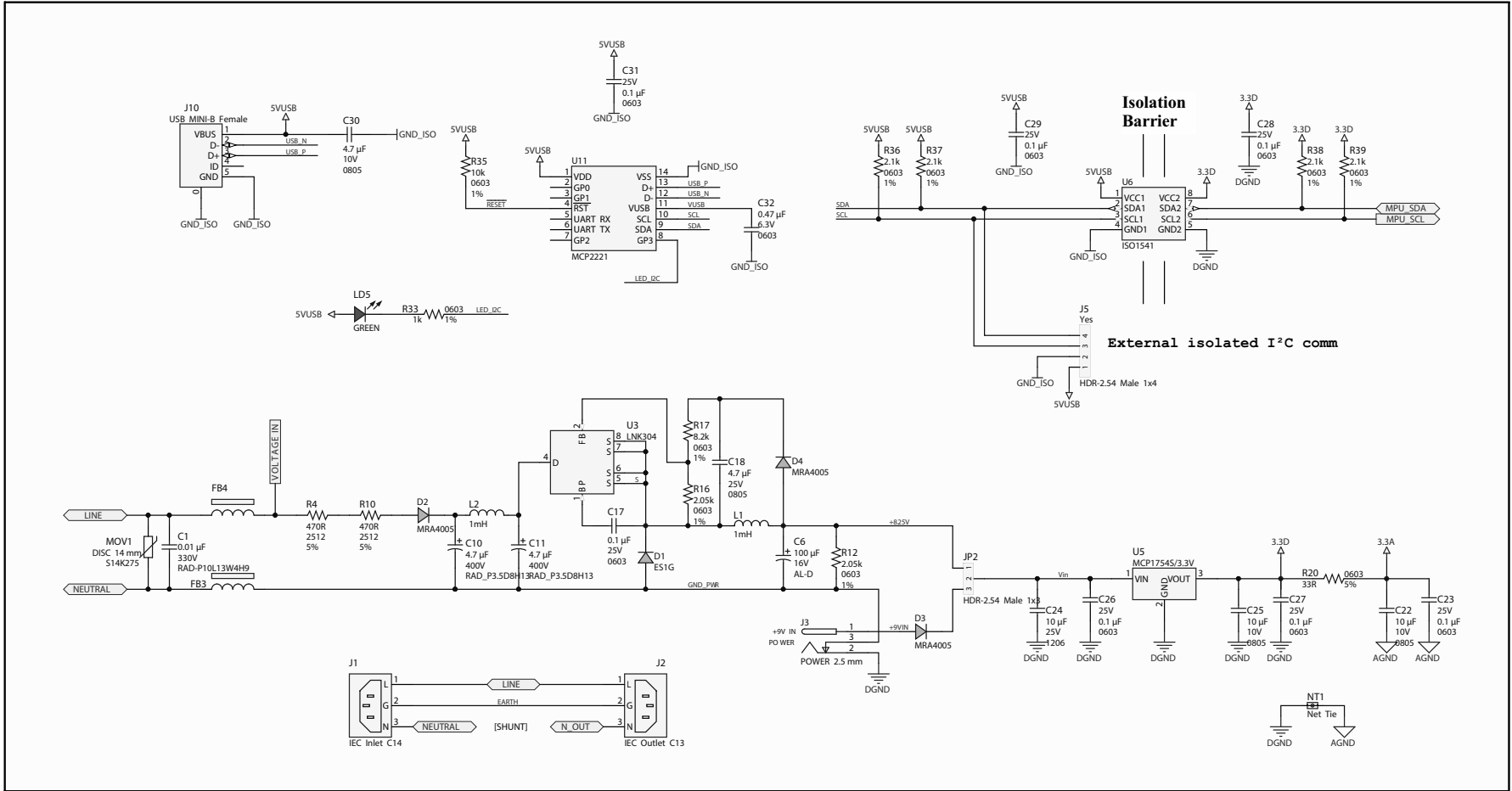


**FIGURE A-1:** Layer Order.

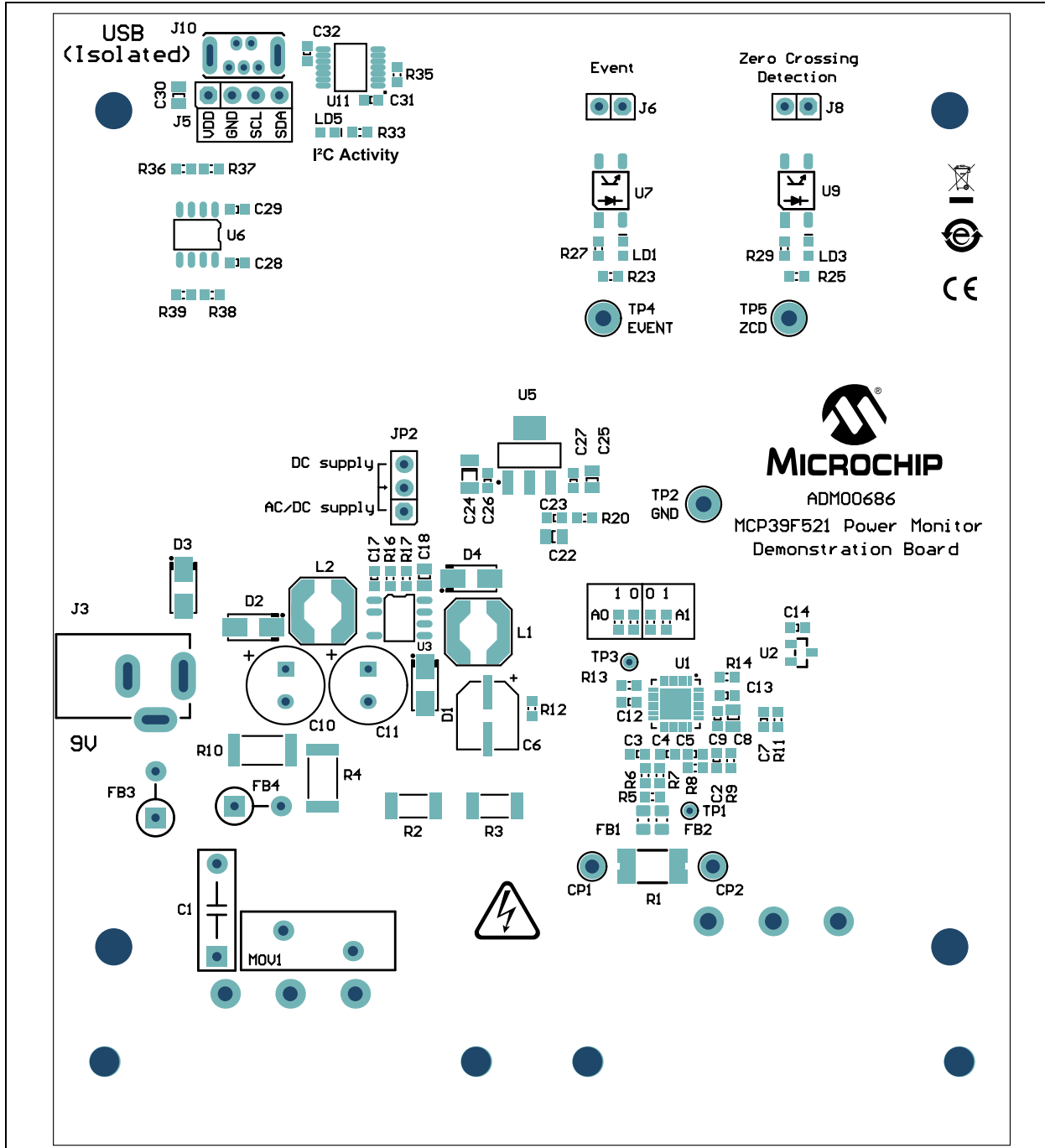
A.3 BOARD – MCP39F521 SCHEMATIC



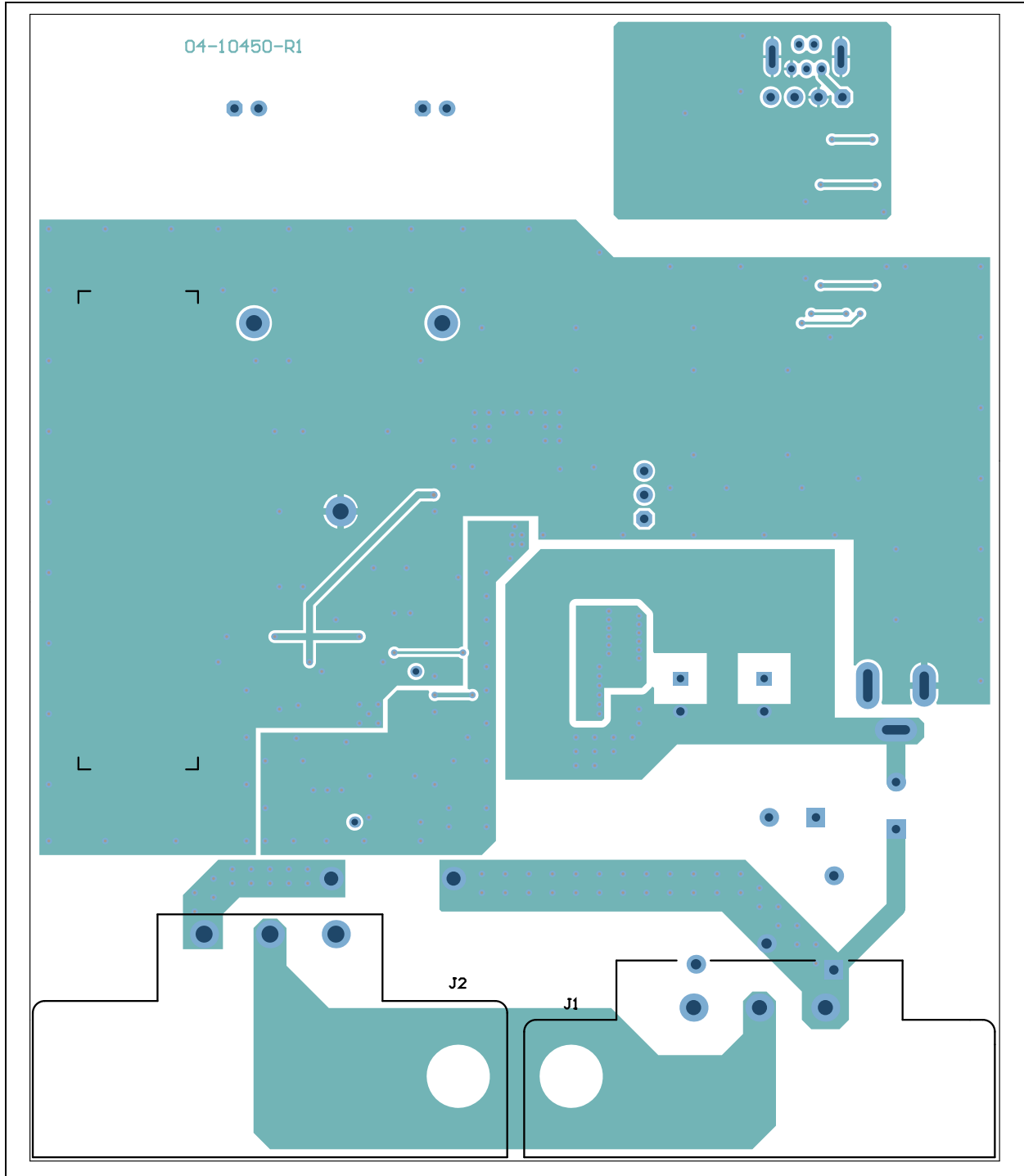
### A.4 BOARD – POWER AND USB SCHEMATIC



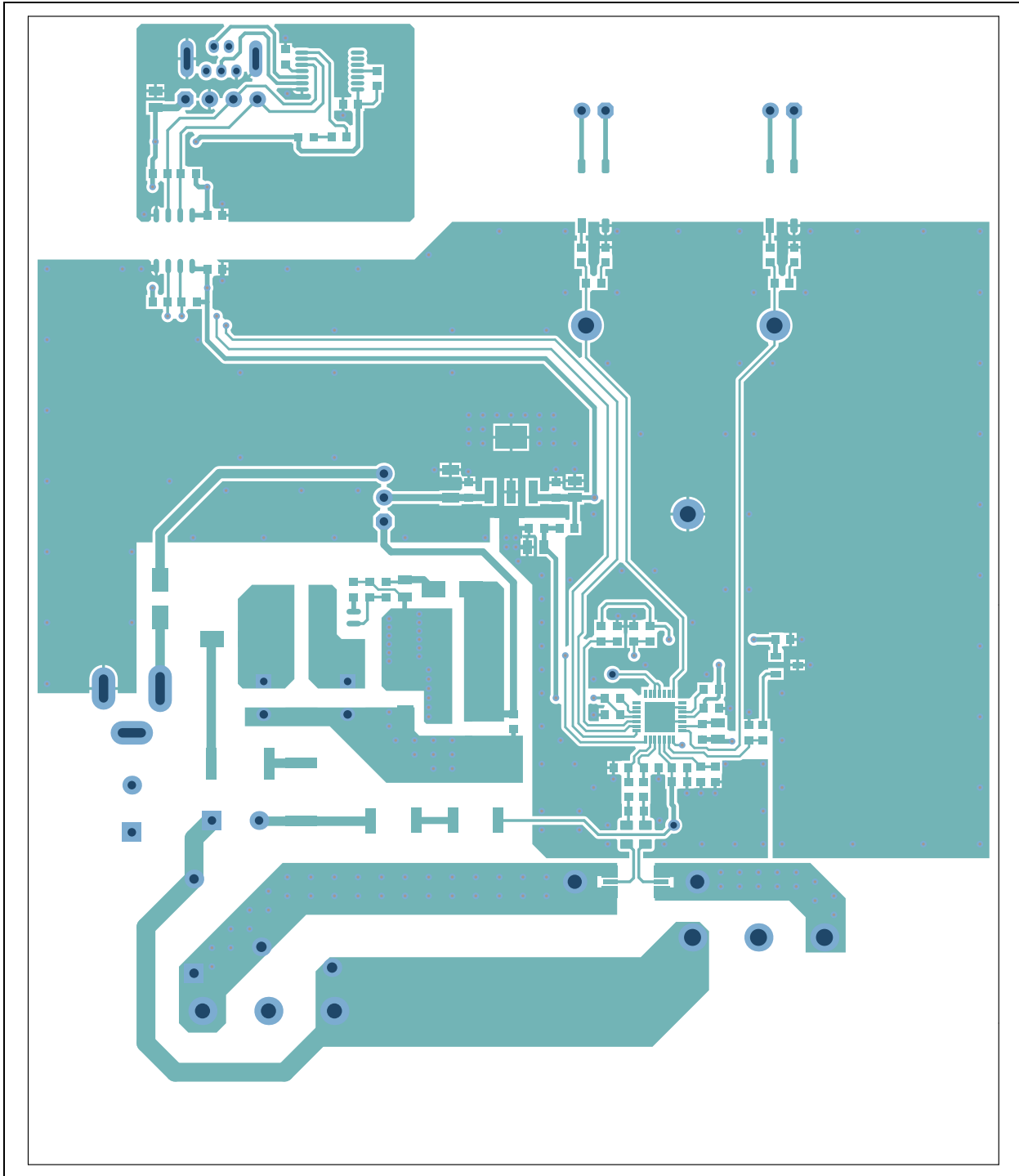
## A.5 BOARD – TOP SILK



## A.6 BOARD – TOP COPPER AND SILK

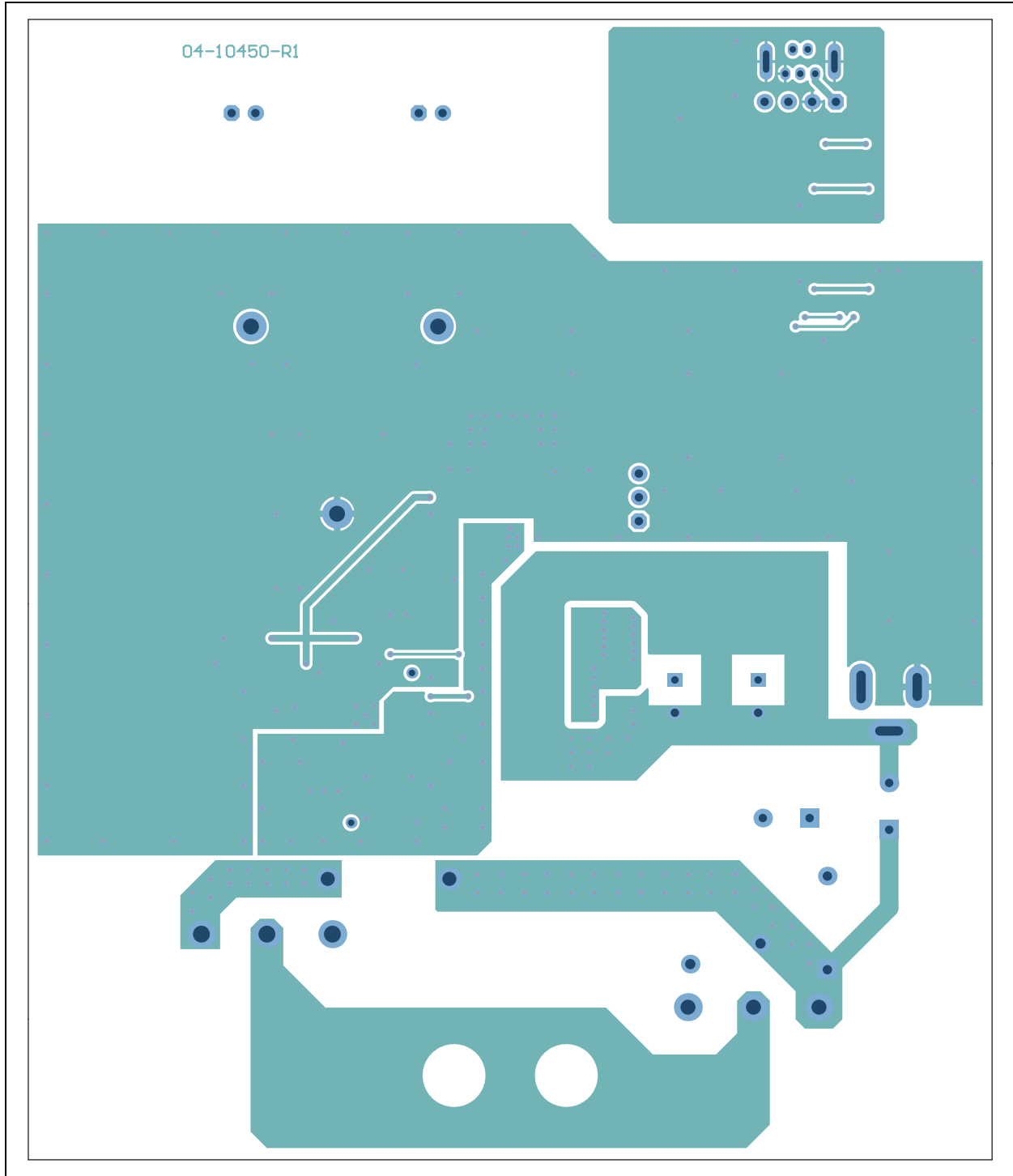


## A.7 BOARD – TOP COPPER

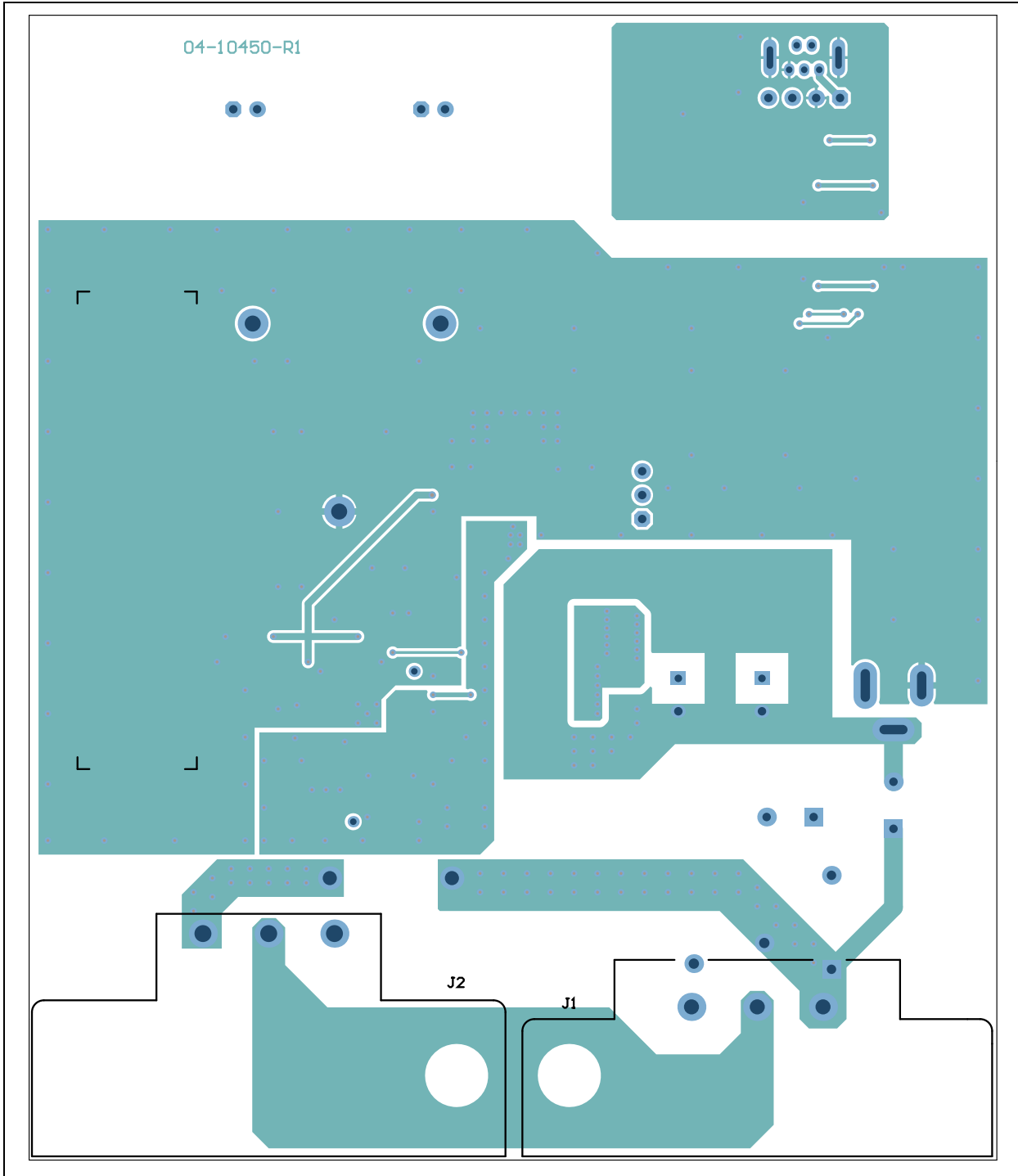




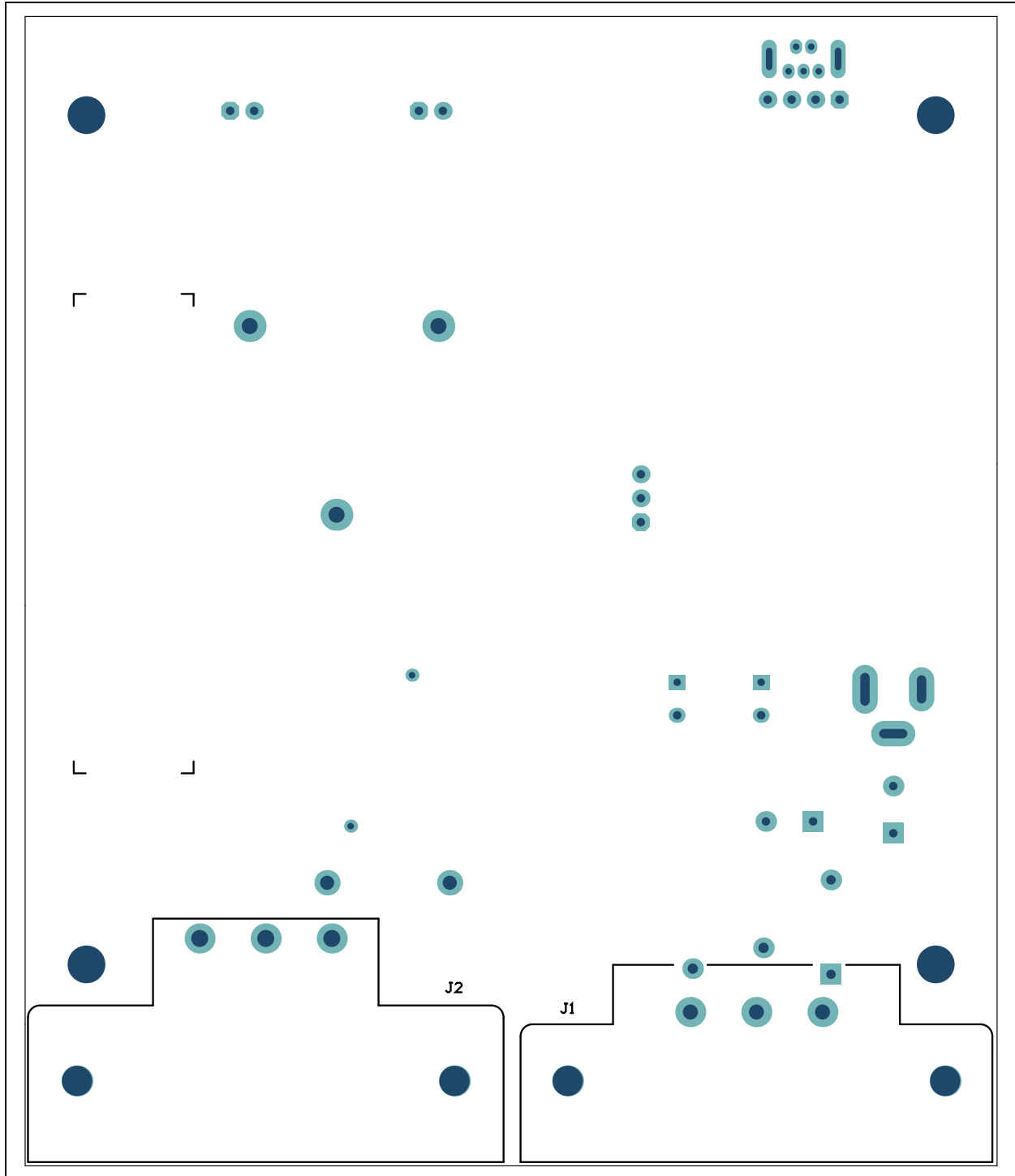
## A.8 BOARD – BOTTOM COPPER



## A.9 BOARD – BOTTOM COPPER AND SILK



## A.10 BOARD – BOTTOM SILK



# MCP39F521 Power Monitor Demonstration Board User's Guide

---

---

NOTES:



# MCP39F521 POWER MONITOR DEMONSTRATION BOARD USER'S GUIDE

## Appendix B. Bill of Materials (BOM)

TABLE B-1: BILL OF MATERIALS (BOM)

Qty.	Designator	Description	Manufacturer	Part Number
1	C1	Cap. film 0.01 $\mu$ F 330V 20% RAD P10L13W4H9	EPCOS AG	B32911A3103M
4	C2, C3, C4, C5	Cap. ceramic 33 nF 50V 10% X7R SMD 0603	TDK Corporation	C1608X7R1H333K
1	C6	Cap. aluminum 100 $\mu$ F 16V 20% SMD D	Nichicon Corporation	UWX1C101MCL1GB
12	C7, C9, C12, C13, C14, C17, C23, C26, C27, C28, C29, C31	Cap. ceramic 0.1 $\mu$ F 25V 10% X7R SMD 0603	Murata Electronics <sup>®</sup>	GRM188R71E104KA01D
3	C8, C22, C25	Cap. ceramic 10 $\mu$ F 10V 10% X7R SMD 0805	TDK Corporation	C2012X7R1A106K125AC
2	C10, C11	Cap. aluminum 4.7 $\mu$ F 400V 20% RAD_P3.5D8H13	Nichicon Corporation	'UVC2G4R7MPD1TD
1	C18	Cap. ceramic 4.7 $\mu$ F 25V 10% X7R SMD 0805	TDK Corporation	C2012X7R1E475K125AB
1	C24	Cap. ceramic 10 $\mu$ F 25V 10% X7R SMD 1206	Taiyo Yuden Co., Ltd.	MK316B7106KL-TD
1	C30	Cap. ceramic 4.7 $\mu$ F 10V 10% X5R SMD 0805	Taiyo Yuden Co., Ltd.	LMK212BJ475KD-T
1	C32	Cap. ceramic 0.47 $\mu$ F 6.3V 10% X5R SMD 0603	Murata Electronics	GRM188R60J474KA01D
1	D1	Diode rec. ES1G 1.25V 1A 400V SMD DO-214AC_SMA	Diodes <sup>®</sup> Incorporated	ES1G-13-F
3	D2, D3, D4	Diode rec. MRA4005 1.1V 1A 600V DO-214AC_SMA	ON Semiconductor <sup>®</sup>	MRA4005T3G
2	FB1, FB2	Ferrite 800 mA 0.15R SMD 0805	Laird Technologies <sup>®</sup>	LI0805H151R-10
2	FB3, FB4	Ferrite 7A 0.01R RAD P5L5.3D3.8	Panasonic <sup>®</sup> - ECG	EXC-ELSR35S
1	J1	Conn. IEC 250V 15A Inlet C14 TH R/A	SCHURTER Inc.	GSP1.9103.1
1	J2	Conn. IEC 250V 15A Outlet C13 TH R/A	SCHURTER Inc.	6182.0033
1	J3	Conn. Power 2.5 mm 5.5 mm Switch TH R/A	CUI Inc.	PJ-002B
1	J5	Conn. Header-2.54 Male 1x4 Tin 5.84 MH TH Vert.	FCI	68002-404HLF
2	J6, J8	Conn. Header-2.54 Male 1x2 Tin 6.10 MH TH Vert.	Molex <sup>®</sup>	0022284020
1	J10	Conn. Header-2.54 Male 1x2 Tin 6.10 MH TH Vert.	Molex	500075-1517
1	JP2	Conn. Header-2.54 Male 1x3 Gold 5.84 MH TH Vert.	FCI	68000-103HLF

**Note 1:** The components listed in this Bill of Materials are representative of the PCB assembly. The released BOM used in manufacturing uses all RoHS-compliant components.

# MCP39F521 Power Monitor Demonstration Board User's Guide

**TABLE B-1: BILL OF MATERIALS (BOM) (CONTINUED)**

Qty.	Designator	Description	Manufacturer	Part Number
3	JP4	Mech. HW Jumper 2.54 mm 1x2 Handle Gold	TE Connectivity, Ltd.	881545-2
2	L1, L2	Inductor 1 mH 240 mA 20% SMD L6W6H2.4	Coilcraft	LPS6225-105MLB
2	LD1, LD3	Diode LED red 1.95V 30 mA 700 mcd Clear SMD 0603	Kingbright Corp.	APTD1608SURCK
1	LD5	Diode LED green 2V 30 mA 35 mcd Clear SMD 0603	Lite-On® Technology Corporation	LTST-C190KGKT
1	MOV1	Res. Varistor 275V 130J TH DISC 14 mm	EPCOS AG	S14K275E2K1
1	PCB	MCP39F521 Printed Circuit Board	—	04-00686-R1
1	R1	Res. Shunt MF 0.002R 1% 2W 2512	Stackpole Electronics, Inc.	CSNL2512FT2L00
2	R2, R3	Res. TKF 499k 1% 3/4W SMD 2010	Vishay/Dale	CRCW2010499KFKEF
2	R4, R10	Res. TKF 470R 5% 1W SMD 2512	Panasonic - ECG	ERJ-1TYJ471U
1	R5	Res. TKF 2.49R 1% 1/10W SMD 0603	Vishay Intertechnology, Inc.	CRCW06032R49FKEA
9	R6, R7, R8, R9, R23, R25, R27, R29, R33	Res. TKF 1k 1% 1/10W SMD 0603	Panasonic - ECG	ERJ-3EKF1001V
1	R11	Res. TKF 100R 5% 1/10W SMD 0603	Vishay Intertechnology, Inc.	CRCW0603100RJNEA
2	R12, R16	Res. TKF 2.05k 1% 1/10W SMD 0603	Yageo Corporation	RC0603FR-072K05L
2	R13, R14	Res. TKF 4.7k 1% 1/10W SMD 0603	Panasonic - ECG	ERJ-3EKF4701V
2	R15, R18	Res. TKF 0R 1/10W SMD 0603	NIC Components Corp.	NRC06Z0TRF
1	R17	Res. TKF 8.2k 1% 1/10W SMD 0603	Panasonic - ECG	ERJ-3EKF8201V
2	R19, R21	Res. TKF 0R 1/10W SMD 0603	NIC Components Corp.	NRC06Z0TRF
1	R20	Res. TKF 33R 5% 1/10W SMD 0603	Yageo Corporation	9C06031A33R0JLHFT
1	R35	Res. TKF 10k 1% 1/10W SMD 0603	Panasonic - ECG	ERJ-3EKF1002V
4	R36, R37, R38, R39	Res. TKF 2.1k 1% 1/10W SMD 0603	Panasonic - ECG	ERJ-3EKF2101V
3	TP2, TP4, TP5	Conn. TP Pin Tin TH	Harwin Plc.	H2121-01
1	U1	MCHP Analog Energy Measurement 4000:1 MCP39F521-E/MQ QFN-28	Microchip Technology, Inc.	<b>MCP39F521-E/MQ</b>
1	U2	MCHP Analog Temperature Sensor -40°C to +150°C MCP9700T-E/TT SOT-23-3	Microchip Technology Inc.	<b>MCP9700T-E/TT</b>
1	U3	IC Switcher LNK304 SO-8C	Power Integrations™	LNK304DG-TL
1	U5	MCHP Analog LDO 3.3V MCP1754ST-3302E/DB SOT-223-3	Microchip Technology Inc.	<b>MCP1754ST-3302E/DB</b>
1	U6	IC Isolator ISO1541DR Bidirectional I2C SOIC-8	Texas Instruments	SO1541DR
2	U7, U9	IC Photo HCPL-181 4-SMD	Avago Technologies	HCPL-181-00CE
1	U11	MCHP Interface USB I2C UART MCP2221-I/ST TSSOP-14	Microchip Technology Inc.	<b>MCP2221-I/ST</b>

**Note 1:** The components listed in this Bill of Materials are representative of the PCB assembly. The released BOM used in manufacturing uses all RoHS-compliant components.

# Bill of Materials (BOM)

---

---

**TABLE B-2: BILL OF MATERIALS (BOM) — MECHANICAL PARTS**

Qty.	Designator	Description	Manufacturer	Par Number
4	NUT1	Hex Nut 5/16" 6-32	B&F™ Fasteners Supply	HNZ 632
4	SCR1	Machine Screw Pan Phillips 6-32	B&F Fasteners Supply	PMS 632 0038 PH

**Note 1:** The components listed in this Bill of Materials are representative of the PCB assembly. The released BOM used in manufacturing uses all RoHS-compliant components.



# MICROCHIP

## Worldwide Sales and Service

### AMERICAS

#### Corporate Office

2355 West Chandler Blvd.  
Chandler, AZ 85224-6199  
Tel: 480-792-7200  
Fax: 480-792-7277  
Technical Support:  
<http://www.microchip.com/support>

Web Address:  
[www.microchip.com](http://www.microchip.com)

#### Atlanta

Duluth, GA  
Tel: 678-957-9614  
Fax: 678-957-1455

#### Austin, TX

Tel: 512-257-3370

#### Boston

Westborough, MA  
Tel: 774-760-0087  
Fax: 774-760-0088

#### Chicago

Itasca, IL  
Tel: 630-285-0071  
Fax: 630-285-0075

#### Cleveland

Independence, OH  
Tel: 216-447-0464  
Fax: 216-447-0643

#### Dallas

Addison, TX  
Tel: 972-818-7423  
Fax: 972-818-2924

#### Detroit

Novi, MI  
Tel: 248-848-4000

#### Houston, TX

Tel: 281-894-5983

#### Indianapolis

Noblesville, IN  
Tel: 317-773-8323  
Fax: 317-773-5453

#### Los Angeles

Mission Viejo, CA  
Tel: 949-462-9523  
Fax: 949-462-9608

#### New York, NY

Tel: 631-435-6000

#### San Jose, CA

Tel: 408-735-9110

#### Canada - Toronto

Tel: 905-673-0699  
Fax: 905-673-6509

### ASIA/PACIFIC

#### Asia Pacific Office

Suites 3707-14, 37th Floor  
Tower 6, The Gateway  
Harbour City, Kowloon

#### Hong Kong

Tel: 852-2943-5100  
Fax: 852-2401-3431

#### Australia - Sydney

Tel: 61-2-9868-6733  
Fax: 61-2-9868-6755

#### China - Beijing

Tel: 86-10-8569-7000  
Fax: 86-10-8528-2104

#### China - Chengdu

Tel: 86-28-8665-5511  
Fax: 86-28-8665-7889

#### China - Chongqing

Tel: 86-23-8980-9588  
Fax: 86-23-8980-9500

#### China - Dongguan

Tel: 86-769-8702-9880

#### China - Hangzhou

Tel: 86-571-8792-8115  
Fax: 86-571-8792-8116

#### China - Hong Kong SAR

Tel: 852-2943-5100  
Fax: 852-2401-3431

#### China - Nanjing

Tel: 86-25-8473-2460  
Fax: 86-25-8473-2470

#### China - Qingdao

Tel: 86-532-8502-7355  
Fax: 86-532-8502-7205

#### China - Shanghai

Tel: 86-21-5407-5533  
Fax: 86-21-5407-5066

#### China - Shenyang

Tel: 86-24-2334-2829  
Fax: 86-24-2334-2393

#### China - Shenzhen

Tel: 86-755-8864-2200  
Fax: 86-755-8203-1760

#### China - Wuhan

Tel: 86-27-5980-5300  
Fax: 86-27-5980-5118

#### China - Xian

Tel: 86-29-8833-7252  
Fax: 86-29-8833-7256

### ASIA/PACIFIC

#### China - Xiamen

Tel: 86-592-2388138  
Fax: 86-592-2388130

#### China - Zhuhai

Tel: 86-756-3210040  
Fax: 86-756-3210049

#### India - Bangalore

Tel: 91-80-3090-4444  
Fax: 91-80-3090-4123

#### India - New Delhi

Tel: 91-11-4160-8631  
Fax: 91-11-4160-8632

#### India - Pune

Tel: 91-20-3019-1500

#### Japan - Osaka

Tel: 81-6-6152-7160  
Fax: 81-6-6152-9310

#### Japan - Tokyo

Tel: 81-3-6880-3770  
Fax: 81-3-6880-3771

#### Korea - Daegu

Tel: 82-53-744-4301  
Fax: 82-53-744-4302

#### Korea - Seoul

Tel: 82-2-554-7200  
Fax: 82-2-558-5932 or  
82-2-558-5934

#### Malaysia - Kuala Lumpur

Tel: 60-3-6201-9857  
Fax: 60-3-6201-9859

#### Malaysia - Penang

Tel: 60-4-227-8870  
Fax: 60-4-227-4068

#### Philippines - Manila

Tel: 63-2-634-9065  
Fax: 63-2-634-9069

#### Singapore

Tel: 65-6334-8870  
Fax: 65-6334-8850

#### Taiwan - Hsin Chu

Tel: 886-3-5778-366  
Fax: 886-3-5770-955

#### Taiwan - Kaohsiung

Tel: 886-7-213-7828

#### Taiwan - Taipei

Tel: 886-2-2508-8600  
Fax: 886-2-2508-0102

#### Thailand - Bangkok

Tel: 66-2-694-1351  
Fax: 66-2-694-1350

### EUROPE

#### Austria - Wels

Tel: 43-7242-2244-39  
Fax: 43-7242-2244-393

#### Denmark - Copenhagen

Tel: 45-4450-2828  
Fax: 45-4485-2829

#### France - Paris

Tel: 33-1-69-53-63-20  
Fax: 33-1-69-30-90-79

#### Germany - Dusseldorf

Tel: 49-2129-3766400

#### Germany - Karlsruhe

Tel: 49-721-625370

#### Germany - Munich

Tel: 49-89-627-144-0  
Fax: 49-89-627-144-44

#### Italy - Milan

Tel: 39-0331-742611  
Fax: 39-0331-466781

#### Italy - Venice

Tel: 39-049-7625286

#### Netherlands - Drunen

Tel: 31-416-690399  
Fax: 31-416-690340

#### Poland - Warsaw

Tel: 48-22-3325737

#### Spain - Madrid

Tel: 34-91-708-08-90  
Fax: 34-91-708-08-91

#### Sweden - Stockholm

Tel: 46-8-5090-4654

#### UK - Wokingham

Tel: 44-118-921-5800  
Fax: 44-118-921-5820

07/14/15



# Mouser Electronics

Authorized Distributor

Click to View Pricing, Inventory, Delivery & Lifecycle Information:

[Microchip:](#)

[ADM00686](#)

## Данный компонент на территории Российской Федерации

### Вы можете приобрести в компании MosChip.

Для оперативного оформления запроса Вам необходимо перейти по данной ссылке:

<http://moschip.ru/get-element>

Вы можете разместить у нас заказ для любого Вашего проекта, будь то серийное производство или разработка единичного прибора.

В нашем ассортименте представлены ведущие мировые производители активных и пассивных электронных компонентов.

Нашей специализацией является поставка электронной компонентной базы двойного назначения, продукции таких производителей как XILINX, Intel (ex.ALTERA), Vicor, Microchip, Texas Instruments, Analog Devices, Mini-Circuits, Amphenol, Glenair.

Сотрудничество с глобальными дистрибьюторами электронных компонентов, предоставляет возможность заказывать и получать с международных складов практически любой перечень компонентов в оптимальные для Вас сроки.

На всех этапах разработки и производства наши партнеры могут получить квалифицированную поддержку опытных инженеров.

Система менеджмента качества компании отвечает требованиям в соответствии с ГОСТ Р ИСО 9001, ГОСТ РВ 0015-002 и ЭС РД 009

### Офис по работе с юридическими лицами:

105318, г.Москва, ул.Щербаковская д.3, офис 1107, 1118, ДЦ «Щербаковский»

Телефон: +7 495 668-12-70 (многоканальный)

Факс: +7 495 668-12-70 (доб.304)

E-mail: [info@moschip.ru](mailto:info@moschip.ru)

Skype отдела продаж:

moschip.ru

moschip.ru\_4

moschip.ru\_6

moschip.ru\_9