

# MAXIM

## CMOS 8 Bit Multiplying D/A Converter

**MX7523**

### General Description

The MX7523 is high performance multiplying 8 bit digital-to-analog converter (DAC). Low power CMOS technology and low cost make it suitable for a wide range of analog data acquisition and control applications.

Thin-film resistors assure 8 bit resolution with up to 10 bit linearity (L grade) over the full operating temperature range. In addition, all digital inputs are compatible with CMOS logic levels.

Maxim's MX7523 is electrically and pin compatible with the Analog Devices AD7523 and is available in a standard width 16-lead DIP as well as small outline package.

### Applications

- Automatic Test Equipment
- Digital Calibration Systems
- Battery Powered Instruments
- Audio Gain Control
- Digitally Controlled Filters
- Programmable Power Supplies
- Motion Control Systems

### Features

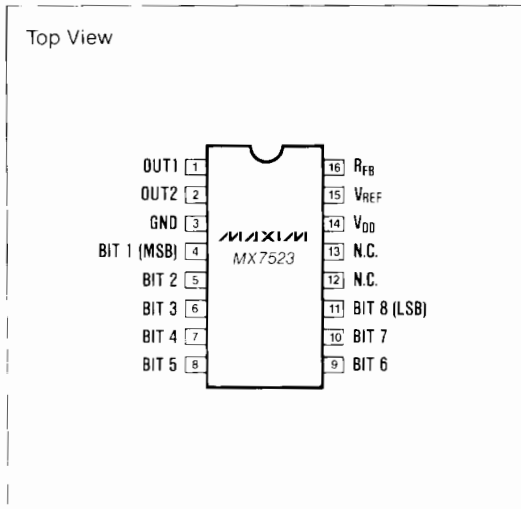
- ◆ 8, 9 and 10 Bit Linearity
- ◆ ±1.5% Untrimmed Gain Accuracy
- ◆ Guaranteed Monotonic
- ◆ Low Feedthrough 1/2LSB at 200kHz
- ◆ Low Power Consumption
- ◆ CMOS Compatible Logic Inputs
- ◆ Widely Second Sourced

### Ordering Information

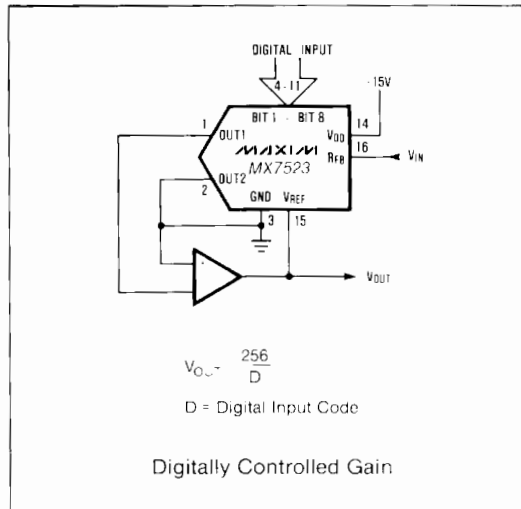
PART	TEMP RANGE	PACKAGE*	ERROR
MX7523JN	0°C to +70°C	Plastic DIP	½LSB
MX7523KN	0°C to +70°C	Plastic DIP	¼LSB
MX7523LN	0°C to +70°C	Plastic DIP	½LSB
MX7523JCWE	0°C to +70°C	Small Outline	½LSB
MX7523KCWE	0°C to +70°C	Small Outline	¼LSB
MX7523LCWE	0°C to +70°C	Small Outline	½LSB

\* All devices — 16 lead packages

### Pin Configuration



### Typical Operating Circuit



# CMOS 8 Bit Multiplying D/A Converter

## ABSOLUTE MAXIMUM RATINGS

V <sub>DD</sub> to GND	-0.3V, +17V	Storage Temperature	-65°C to +150°C
V <sub>REF</sub> to GND	±25V	Lead Temperature (Soldering 10 secs)	+300°C
R <sub>FB</sub> to GND	±25V	Power Dissipation to +70°C	
Digital Input Voltage to GND	-0.3V, V <sub>DD</sub>	Plastic DIP	670mW
Output Voltage (OUT1, OUT2) (Note 1)	-0.3V, V <sub>DD</sub>	Small Outline	450mW
Operating Temperature	0°C to +70°C		

Stresses above those listed under "Absolute Maximum Ratings" may cause permanent damage to the device. These are stress ratings only and functional operation of the device at these or any other conditions above those indicated in the operational sections of the specifications is not implied. Exposure to absolute maximum rating conditions for extended periods may affect device reliability.

## ELECTRICAL CHARACTERISTICS

(T<sub>A</sub> = T<sub>MIN</sub> to T<sub>MAX</sub>, V<sub>DD</sub> = +15V, V<sub>REF</sub> = +10V, V<sub>OUT1</sub> = V<sub>OUT2</sub> = GND, unless otherwise specified)

PARAMETER	SYMBOL	CONDITIONS	MIN.	TYP.	MAX.	UNITS	
<b>DC ACCURACY</b>							
Resolution			8			Bits	
Nonlinearity (Note 2)		0.2% FSR = 1/8LSB	J		±1.5	LSB	
		0.1% FSR = 1/4LSB	K		±1.5		
		0.05% FSR = 1/8LSB	L		±1.5		
Monotonicity			Guaranteed				
Gain Error (Note 2, 3)		Digital Inputs = V <sub>INH</sub>	T <sub>A</sub> = +25°C T <sub>MIN</sub> to T <sub>MAX</sub>		±1.5 ±1.8	% FSR	
Power Supply Rejection (Note 2)	PSRR	V <sub>DD</sub> = +14V to +15V	T <sub>A</sub> = +25°C T <sub>MIN</sub> to T <sub>MAX</sub>		0.02 0.03	%/V <sub>DD</sub>	
Output Leakage Current		OUT1, Digital Inputs = V <sub>INL</sub>	T <sub>A</sub> = +25°C T <sub>MIN</sub> to T <sub>MAX</sub>		±50 ±200	nA	
		OUT2, Digital Inputs = V <sub>INH</sub>	T <sub>A</sub> = +25°C T <sub>MIN</sub> to T <sub>MAX</sub>		±50 ±200		
			T <sub>A</sub> = 25°C T <sub>MIN</sub> to T <sub>MAX</sub>				
V <sub>REF</sub> Input Resistance	R <sub>REF</sub>	T <sub>A</sub> = +25°C		5	10	20	kΩ
V <sub>REF</sub> Resistance Tempco		(Note 4)				-500	ppm/°C
<b>AC PERFORMANCE (Note 4)</b>							
Output Current Settling Time to 0.2% of FSR		R <sub>L</sub> = 100Ω, Digital Inputs = V <sub>INH</sub> to V <sub>INL</sub> and V <sub>INL</sub> to V <sub>INH</sub>	T <sub>A</sub> = +25°C T <sub>MIN</sub> to T <sub>MAX</sub>		150 200	ns	
Feedthrough Error		Digital Inputs = V <sub>INL</sub> , V <sub>REF</sub> = 20V <sub>P-P</sub> , 200 KHz	T <sub>A</sub> = +25°C T <sub>MIN</sub> to T <sub>MAX</sub>		±1.5	LSB	
Output Capacitance	C <sub>OUT</sub>	Digital Inputs = V <sub>INH</sub>	OUT1		100	pF	
			OUT2		30		
		Digital Inputs = V <sub>INL</sub>	OUT1		30		
			OUT2		100		
<b>DIGITAL INPUTS</b>							
Logic HIGH Threshold	V <sub>INH</sub>			+14.5		V	
Logic LOW Threshold	V <sub>INL</sub>				-0.5	V	
Input Leakage Current		Digital inputs = 0V or +15V			±1	μA	
Input Capacitance, (Note 4)					4	pF	
Input Coding		Unipolar Operation (Table 1) Bipolar Operation (Table 2)				Binary Offset Binary	
<b>POWER REQUIREMENTS</b>							
Power Supply Range	V <sub>DD</sub>	Accuracy not guaranteed over this range.		+5	+16	V	
Power Supply Current	I <sub>DD</sub>	Digital inputs = V <sub>INH</sub> or V <sub>INL</sub>			100	μA	

**Note 1:** V<sub>OUT1, 2</sub> may exceed the Absolute Maximum voltage rating if the current is limited to 30mA or less.

**Note 2:** Using internal feedback resistor (R<sub>FB</sub>). Full scale range (FSR) = -(V<sub>REF</sub> - 1LSB) in unipolar mode.

**Note 3:** Maximum gain change from +25°C to T<sub>MIN</sub> or T<sub>MAX</sub> is ±0.3% FSR.

**Note 4:** Guaranteed by design but not 100% tested.

# CMOS 8 Bit Multiplying D/A Converter

MX7523

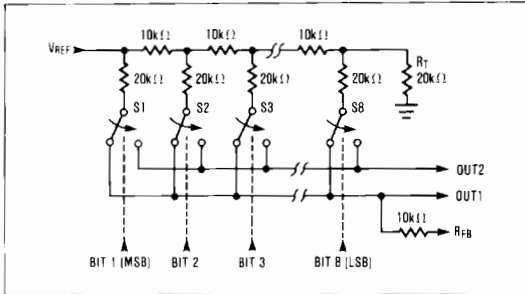


Figure 1. MX7523 Functional Diagram

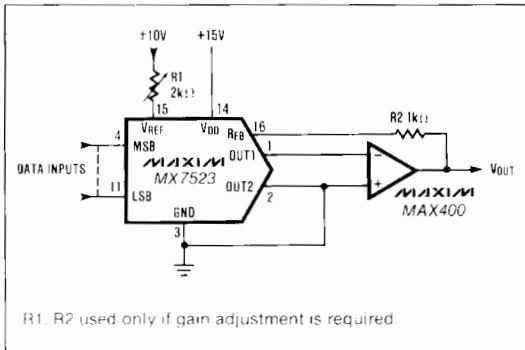


Figure 2. Unipolar Binary Operation (2-Quadrant Multiplication)

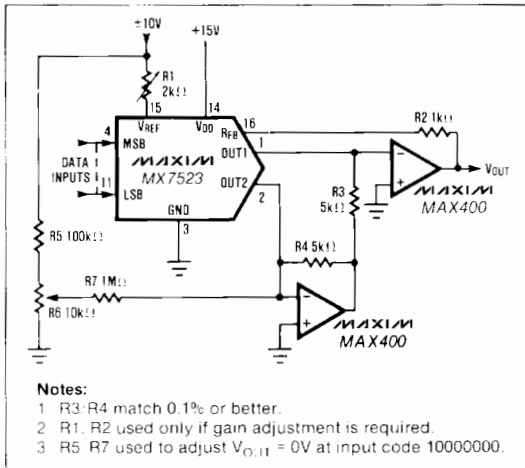


Figure 3. Bipolar (4-Quadrant) Operation

Table 1. Unipolar Binary Code Table

DIGITAL INPUT		ANALOG OUTPUT
MSB	LSB	
1	1 1 1 1 1 1 1 1	$-V_{REF} \left( \frac{225}{256} \right)$
1	0 0 0 0 0 0 0 1	$-V_{REF} \left( \frac{129}{256} \right)$
1	0 0 0 0 0 0 0 0	$-V_{REF} \left( \frac{128}{256} \right) = -\frac{V_{REF}}{2}$
0	1 1 1 1 1 1 1 1	$-V_{REF} \left( \frac{127}{256} \right)$
0	0 0 0 0 0 0 0 1	$-V_{REF} \left( \frac{1}{256} \right)$
0	0 0 0 0 0 0 0 0	$-V_{REF} \left( \frac{0}{256} \right) = 0$

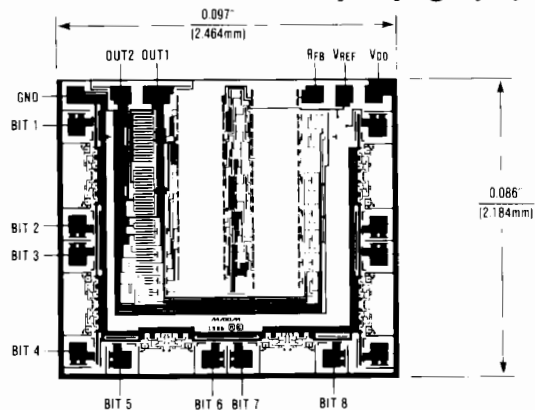
Note: 1LSB =  $(2^{-8})(V_{REF}) = \left( \frac{1}{256} \right) (V_{REF})$

Table 2. Bipolar (Offset Binary) Code Table

DIGITAL INPUT		ANALOG OUTPUT
MSB	LSB	
1	1 1 1 1 1 1 1 1	$-V_{REF} \left( \frac{127}{128} \right)$
1	0 0 0 0 0 0 0 1	$-V_{REF} \left( \frac{1}{128} \right)$
1	0 0 0 0 0 0 0 0	0
0	1 1 1 1 1 1 1 1	$+V_{REF} \left( \frac{1}{128} \right)$
0	0 0 0 0 0 0 0 1	$+V_{REF} \left( \frac{127}{128} \right)$
0	0 0 0 0 0 0 0 0	$+V_{REF} \left( \frac{128}{128} \right)$

Note: 1LSB =  $(2^{-7})(V_{REF}) = \left( \frac{1}{128} \right) (V_{REF})$

## Chip Topography



**MX7523**

# CMOS 8 Bit Multiplying D/A Converter

## Package Information

**Plastic DIP  
PLASTIC  
DUAL-IN-LINE  
PACKAGE  
(0.300 in.)**

DIM	INCHES		MILLIMETERS	
	MIN	MAX	MIN	MAX
A	—	0.200	—	5.08
A1	0.015	—	0.38	—
A2	0.125	0.175	3.18	4.45
A3	0.055	0.080	1.40	2.03
B	0.016	0.022	0.41	0.56
B1	0.045	0.065	1.14	1.65
C	0.008	0.012	0.20	0.30
D1	0.005	0.080	0.13	2.03
E	0.300	0.325	7.62	8.26
E1	0.240	0.310	6.10	7.87
e	0.100	—	2.54	—
eA	0.300	—	7.62	—
eB	—	0.400	—	10.16
L	0.115	0.150	2.92	3.81

PKG.	DIM	PINS	INCHES		MILLIMETERS	
			MIN	MAX	MIN	MAX
P	D	8	0.348	0.390	8.84	9.91
P	D	14	0.735	0.765	18.67	19.43
P	D	16	0.745	0.765	18.92	19.43
P	D	18	0.885	0.915	22.48	23.24
P	D	20	1.015	1.045	25.78	26.54
N	D	24	1.14	1.265	28.96	32.13

21-0043A

**Wide SO  
SMALL-OUTLINE  
PACKAGE  
(0.300 in.)**

DIM	INCHES		MILLIMETERS	
	MIN	MAX	MIN	MAX
A	0.093	0.104	2.35	2.65
A1	0.004	0.012	0.10	0.30
B	0.014	0.019	0.35	0.49
C	0.009	0.013	0.23	0.32
E	0.291	0.299	7.40	7.60
e	0.050		1.27	
H	0.394	0.419	10.00	10.65
L	0.016	0.050	0.40	1.27

DIM	PINS	INCHES		MILLIMETERS	
		MIN	MAX	MIN	MAX
D	16	0.398	0.413	10.10	10.50
D	18	0.447	0.463	11.35	11.75
D	20	0.496	0.512	12.60	13.00
D	24	0.598	0.614	15.20	15.60
D	28	0.697	0.713	17.70	18.10

21-0042A

Maxim cannot assume responsibility for use of any circuitry other than circuitry entirely embodied in a Maxim product. No circuit patent licenses are implied. Maxim reserves the right to change the circuitry and specifications without notice at any time.

4 Maxim Integrated Products, 120 San Gabriel Drive, Sunnyvale, CA 94086 (408) 737-7600

## Данный компонент на территории Российской Федерации

### Вы можете приобрести в компании MosChip.

Для оперативного оформления запроса Вам необходимо перейти по данной ссылке:

<http://moschip.ru/get-element>

Вы можете разместить у нас заказ для любого Вашего проекта, будь то серийное производство или разработка единичного прибора.

В нашем ассортименте представлены ведущие мировые производители активных и пассивных электронных компонентов.

Нашей специализацией является поставка электронной компонентной базы двойного назначения, продукции таких производителей как XILINX, Intel (ex.ALTERA), Vicor, Microchip, Texas Instruments, Analog Devices, Mini-Circuits, Amphenol, Glenair.

Сотрудничество с глобальными дистрибьюторами электронных компонентов, предоставляет возможность заказывать и получать с международных складов практически любой перечень компонентов в оптимальные для Вас сроки.

На всех этапах разработки и производства наши партнеры могут получить квалифицированную поддержку опытных инженеров.

Система менеджмента качества компании отвечает требованиям в соответствии с ГОСТ Р ИСО 9001, ГОСТ РВ 0015-002 и ЭС РД 009

### Офис по работе с юридическими лицами:

105318, г.Москва, ул.Щербаковская д.3, офис 1107, 1118, ДЦ «Щербаковский»

Телефон: +7 495 668-12-70 (многоканальный)

Факс: +7 495 668-12-70 (доб.304)

E-mail: [info@moschip.ru](mailto:info@moschip.ru)

Skype отдела продаж:

moschip.ru

moschip.ru\_4

moschip.ru\_6

moschip.ru\_9