

# Amphenol

164-SERIES  
WATERPROOF AUDIO CONNECTORS  
ACR 164 0709



---

**Amphenol**



# Introduction

Amphenol 164 series connectors are water resistant, five & six pin contact electrical connectors for use in low voltage audio frequency circuits & applications. They employ three-point bayonet coupling for quick disconnect & self wipe contact.

These connectors are extensively used in military communication equipments, where high reliability is paramount & severe environmental conditions are encountered.

Amphenol 164 series connectors are qualified to MIL specification MIL-DTL-55116. They are intermatable with any other manufacturers product which is designed as per MIL-DTL-55116.

|  | Page  |
|--|-------|
| Introduction -----   | 1     |
| Specifications, Material & Finishes -----  | 2     |
| QPL Approval Letter -----  | 3-4   |
| Five & Six Pin Audio Plug Connector Crimp Sleeve Terminal<br>(U-229-Type) Products -----                             | 5     |
| Five & Six Pin Audio Plug Connector Solder Cup Terminal<br>(U-229S-Type) Products -----                              | 6     |
| Five & Six Pin Audio Plug Connector Crimp Sleeve Terminal<br>(U-182-Type) Products -----                             | 7     |
| Five & Six Pin Audio Plug Connector Solder Cup Terminal<br>(U-182S-Type) Products -----                              | 8     |
| Five & Six Pin Audio Receptacle Panel Mount Connector-Solder<br>(U-183/U Type & U-283/U Type) Products -----         | 9     |
| Five & Six Pin Audio Receptacle Connector Crimp Sleeve Terminal<br>(U-228/U Type & U-328/U Type) Products -----      | 10    |
| Five & Six Pin Audio Receptacle Connector Solder Cup Terminal<br>(U-228/U Type & U-328/U Solder Type) Products ----- | 11    |
| List Of Part Numbers -----   | 12    |
| Ordering Information -----   | 13    |
| Special Products -----   | 15-20 |

## ELECTRICAL

|                       |                       |
|-----------------------|-----------------------|
| Operating Current     | 500 m A per contact   |
| Operating Voltage     | 60V max.              |
| Contact Resistance    | 0.050 ohms max.       |
| Insulation Resistance | 1000 M ohm @ 100 V DC |
| Dielectric Strength   | 500V rms              |

## MECHANICAL

|                    |                             |
|--------------------|-----------------------------|
| Number of Contacts | 5 or 6                      |
| Air Pressure       | 2.5 PSI                     |
| Durability         | 3000 cycles, mate & unmate. |
| Immersion          | 48 hrs. At 6ft.             |

## Environmental

|                       |                   |
|-----------------------|-------------------|
| Operating Temperature | -55° C to +85° C. |
|-----------------------|-------------------|

## Material & Finishes

| Part        | Material                                     | Finish                  |
|-------------|--|-------------------------|
| Shell & Nut | Stainless Steel                              | Sand Blasted            |
| Insulator   | Diallyphthalate as per ASTM D5948 Type SDG-F | -                       |
| Contact     | Copper Alloy -Brass                          | 0.75µm Gold over Nickel |



**Defence Logistics Agency**  
 Defence Supply Centre, Columbus  
 Post Office Box 3990  
 Columbus, OH 43218-3990

MAR 18 2009

DSCC-VQP-09-017606 (Mr. Funk/614-692-6608/jf)  
 Subject: Qualification for MIL-DTL-55116  
 DSCC Test Report Number 55116-2285-08  
 FSC 5935, Preparing Activity:DLA-CC

Amphenol Interconnect India Pvt. Ltd.  
 105, Bhosari Industrial Estate  
 Pune-411026 (India)

We have received Amphenol Interconnect India's test report and supporting data dated February 18, 2009. Qualification of your products is granted under the Military Specification Sheets listed below as a result of providing exhibit samples that demonstrate your capability to manufacture these products to Military Specification MIL-DTL-55116.

|  |  |
|--|--|
| <b>Supplier: Amphenol Interconnect India Pvt. Ltd.</b> | <b>Supplier: Amphenol Interconnect India Pvt. Ltd.</b> |
| Government Designation: M55116/1-( )                   | Government Designation: M55116/2-( )                   |
| Manufacturer's Designation: 164-229-( )                | Manufacturer's Designation: 164-229-6-( )              |
| Cable Accommodation: 1, 2, 3, 4, 5                     | Cable Accommodation: 1, 2, 3, 4, 5                     |
| Test or Qualification Reference: 55116-2285-08         | Test or Qualification Reference: 55116-2285-08         |
|  |  |
| <b>Supplier: Amphenol Interconnect India Pvt. Ltd.</b> | <b>Supplier: Amphenol Interconnect India Pvt. Ltd.</b> |
| Government Designation: M55116/3-( )                   | Government Designation: M55116/4-( )                   |
| Manufacturer's Designation: 164-229-S-( )              | Manufacturer's Designation: 164-229-6S-( )             |
| Cable Accommodation: 1, 2, 3, 4, 5                     | Cable Accommodation: 1, 2, 3, 4, 5                     |
| Test or Qualification Reference: 55116-2285-08         | Test or Qualification Reference: 55116-2285-08         |
|  |  |
| <b>Supplier: Amphenol Interconnect India Pvt. Ltd.</b> | <b>Supplier: Amphenol Interconnect India Pvt. Ltd.</b> |
| Government Designation: M55116/5-( )                   | Government Designation: M55116/6-( )                   |
| Manufacturer's Designation: 164-182-( )                | Manufacturer's Designation: 164-182-6-( )              |
| Cable Accommodation: 1, 2, 3, 4, 5                     | Cable Accommodation: 1, 2, 3, 4, 5                     |
| Test or Qualification Reference: 55116-2285-08         | Test or Qualification Reference: 55116-2285-08         |
|  |  |
| <b>Supplier: Amphenol Interconnect India Pvt. Ltd.</b> | <b>Supplier: Amphenol Interconnect India Pvt. Ltd.</b> |
| Government Designation: M55116/7-( )                   | Government Designation: M55116/8-( )                   |
| Manufacturer's Designation: 164-182-S( )               | Manufacturer's Designation: 164-182-6S-( )             |
| Cable Accommodation: 1, 2, 3, 4, 5                     | Cable Accommodation: 1, 2, 3, 4, 5                     |
| Test or Qualification Reference: 55116-2285-08         | Test or Qualification Reference: 55116-2285-08         |

|  |  |
|--|--|
| <b>Supplier: Amphenol Interconnect India Pvt. Ltd.</b> | <b>Supplier: Amphenol Interconnect India Pvt. Ltd.</b> |
| Government Designation: M55116/9-( )                   | Government Designation: M55116/10-( )                  |
| Manufacturer's Designation: 164-183-( )                | Manufacturer's Designation: 164-183-6-( )              |
| Cable Accommodation: 0                                 | Cable Accommodation: 0                                 |
| Test or Qualification Reference: 55116-2285-08         | Test or Qualification Reference: 55116-2285-08         |
|  |  |
| <b>Supplier: Amphenol Interconnect India Pvt. Ltd.</b> | <b>Supplier: Amphenol Interconnect India Pvt. Ltd.</b> |
| Government Designation: M55116/11-( )                  | Government Designation: M55116/12-( )                  |
| Manufacturer's Designation: 164-228-( )                | Manufacturer's Designation: 164-228-6-( )              |
| Cable Accommodation: 1, 2, 3, 4, 5                     | Cable Accommodation: 1, 2, 3, 4, 5                     |
| Test or Qualification Reference: 55116-2285-08         | Test or Qualification Reference: 55116-2285-08         |
|  |  |
| <b>Supplier: Amphenol Interconnect India Pvt. Ltd.</b> | <b>Supplier: Amphenol Interconnect India Pvt. Ltd.</b> |
| Government Designation: M55116/13-( )                  | Government Designation: M55116/14-( )                  |
| Manufacturer's Designation: 164-228-S-( )              | Manufacturer's Designation: 164-228-6S-( )             |
| Cable Accommodation: 1, 2, 3, 4, 5                     | Cable Accommodation: 1, 2, 3, 4, 5                     |
| Test or Qualification Reference: 55116-2285-08         | Test or Qualification Reference: 55116-2285-08         |

A detailed listing of the connector type under the Military Specification Sheet will be listed on the Qualified Products List (QPL) 55116. This qualification is subject to the conditions stated in DoD 4120.24-M and SD-6.

Because we are held responsible for the accuracy and currency of this QPL, please let us know if your company discontinues production of these products.

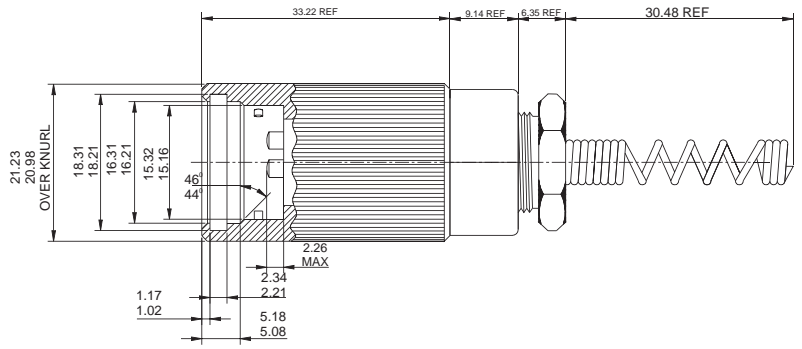
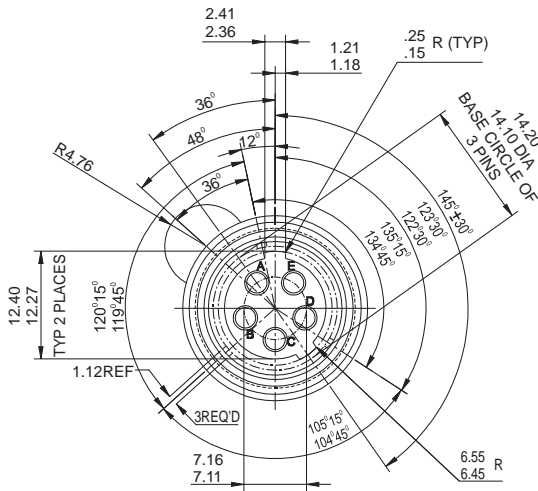
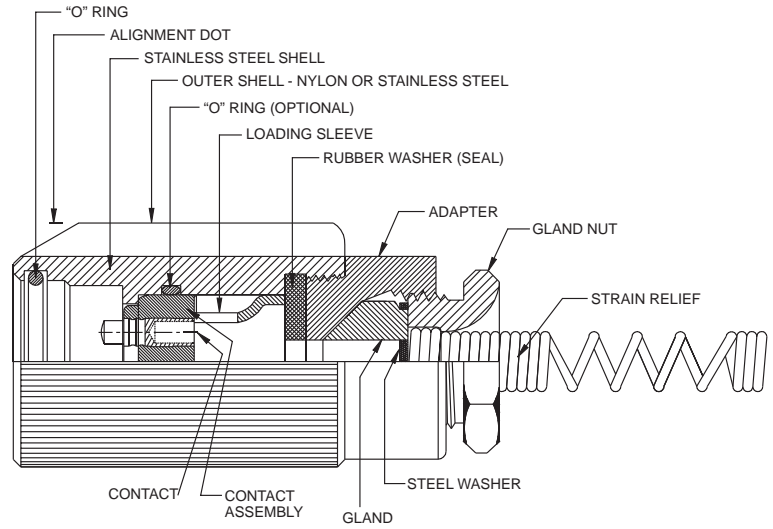
If you have any questions concerning this letter, please contact Mr. Funk at 614-692-6608 or email [Jeremy.Funk@dla.mil](mailto:Jeremy.Funk@dla.mil).

Sincerely,

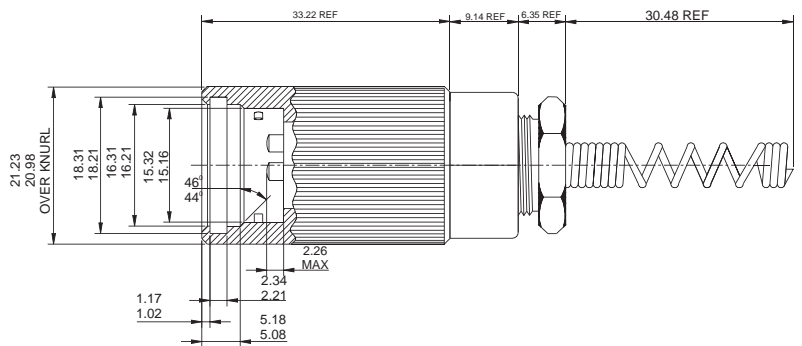


JOSEPH GEMPERLINE  
Chief

Sourcing and Qualifications Division



**M55116/1-X**

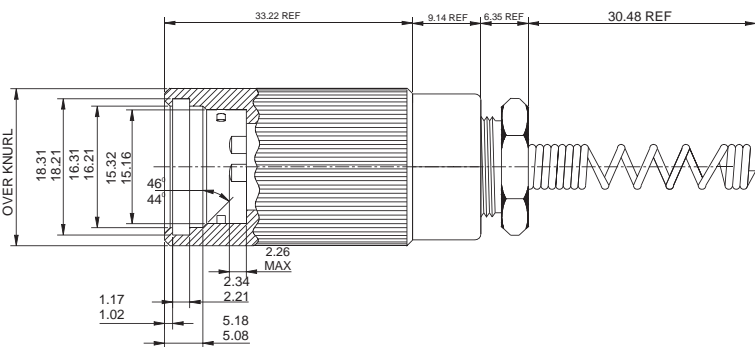
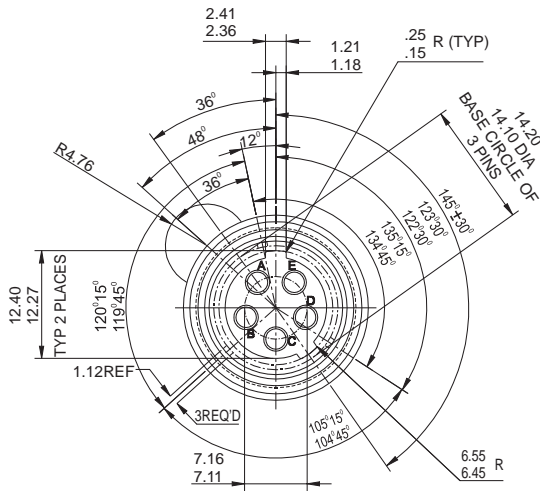
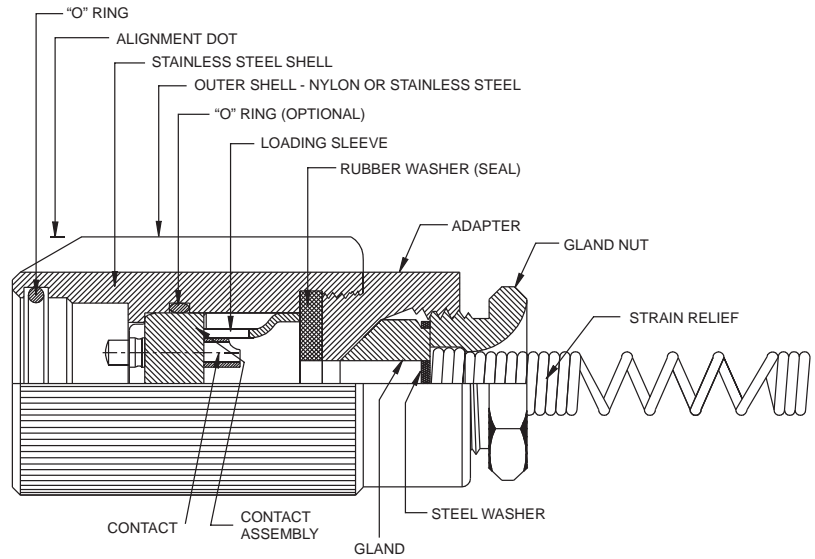


**M55116/2-X**

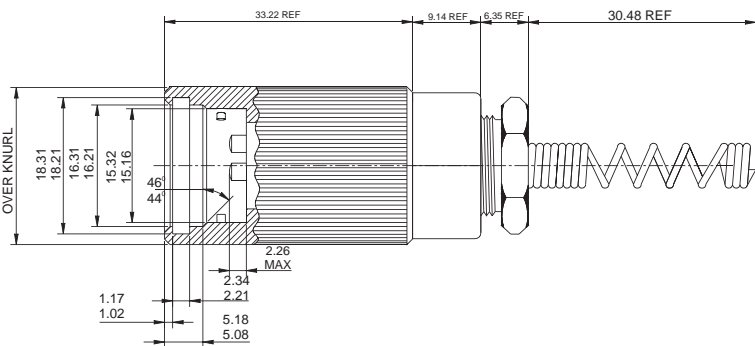
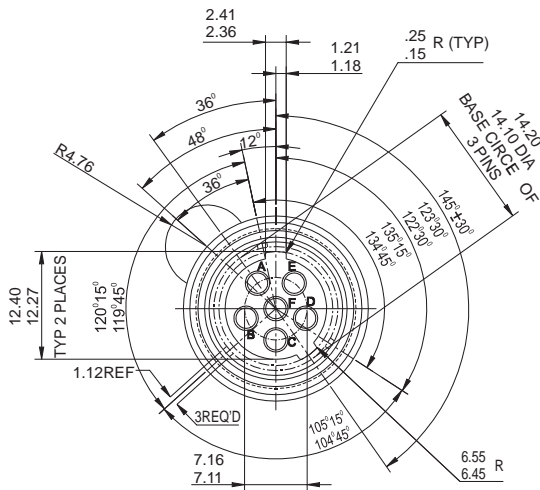
| Sr No. | Description  | MIL Designation | Amphenol Designation |
|--------|--|-----------------|----------------------|
| 1      | 5 Pin Audio plug connector with crimp sleeve terminal & wire strain relief | M55116/1-X      | 164-229-X            |
| 2      | 6 Pin Audio plug connector with crimp sleeve terminal & wire strain relief | M55116/2-X      | 164-229-6-X          |

| Dash no-X | Cable diameter |
|-----------|----------------|
| -0        | N/A            |
| -1        | 4.19 ± 0.25    |
| -2        | 5.79 ± 0.25    |
| -3        | 6.35 ± 0.25    |
| -4        | 7.36 ± 0.25    |
| -5        | 8.12 ± 0.25    |

X Stands for the Cable size accommodation, is identified by a dash number as shown in above table. This number indicates the outside diameter of the cable that the connector will accommodate.



**M55116/3-X**



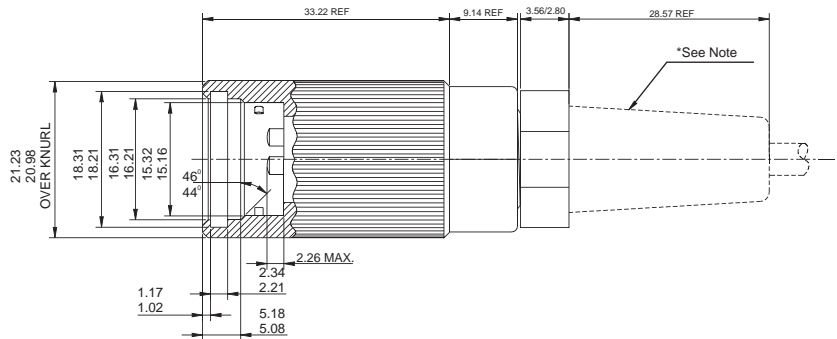
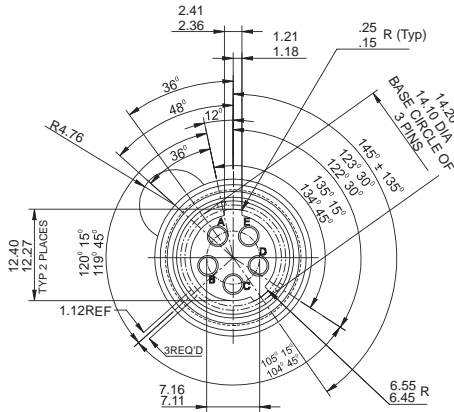
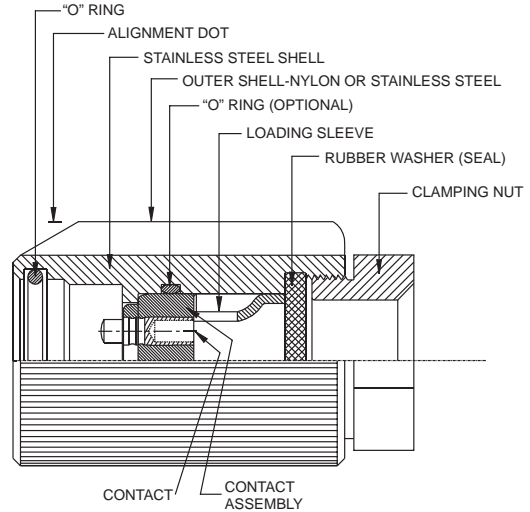
**M55116/4-X**

| Sr No. | Description  | MIL Designation | Amphenol Designation |
|--------|--|-----------------|----------------------|
| 1      | 5 Pin Audio plug connector with Solder Cup Terminal & wire strain relief | M55116/3-X      | 164-229-S-X          |
| 2      | 6 Pin Audio plug connector with Solder Cup Terminal & wire strain relief | M55116/4-X      | 164-229-6S-X         |

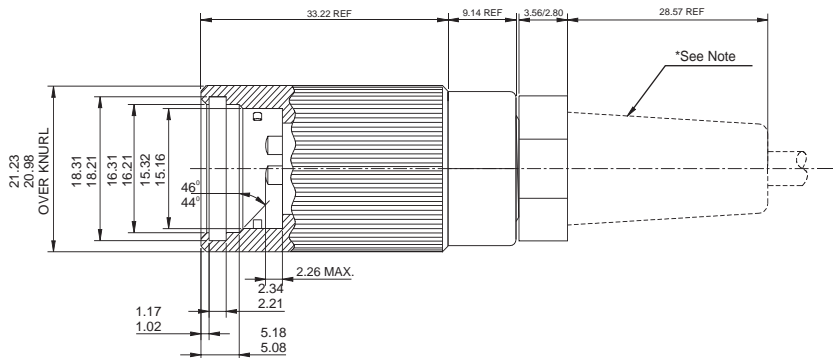
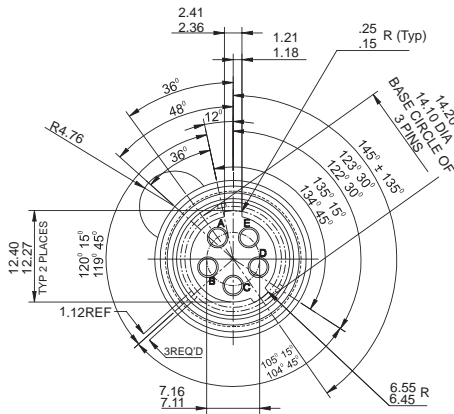
| Dash no-X | Cable diameter |
|-----------|----------------|
| -0        | N/A            |
| -1        | 4.19 ± 0.25    |
| -2        | 5.79 ± 0.25    |
| -3        | 6.35 ± 0.25    |
| -4        | 7.36 ± 0.25    |
| -5        | 8.12 ± 0.25    |

X Stands for the Cable size accommodation, is identified by a dash number as shown in above table. This number indicates the outside diameter of the cable that the connector will accommodate.





**M55116/5-X**



**M55116/6-X**

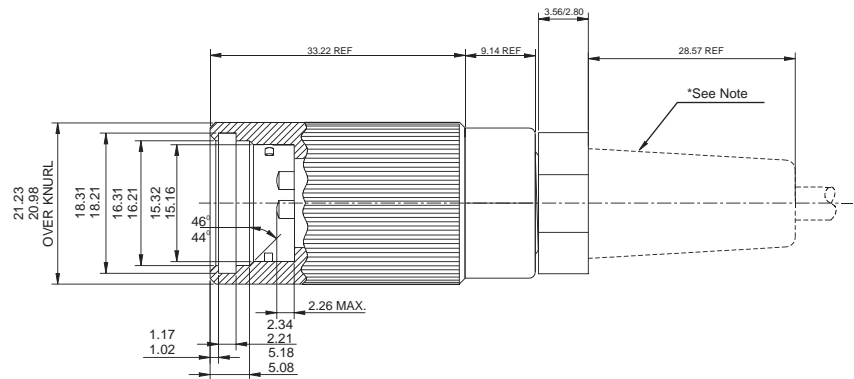
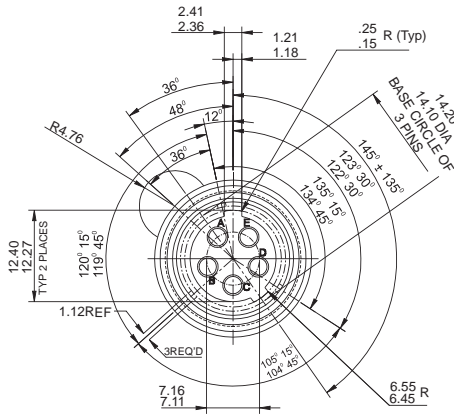
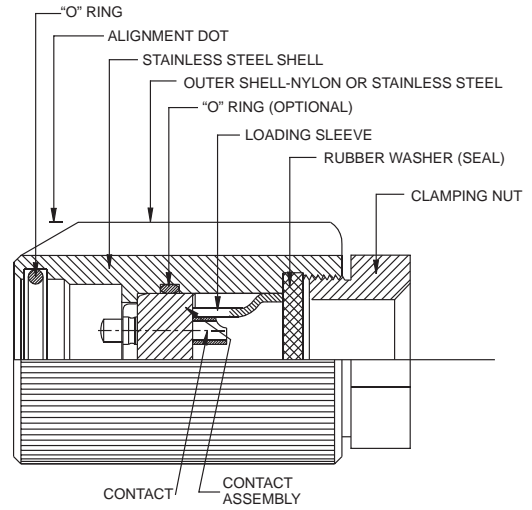
| Sr No. | Description   | MIL Designation | Amphenol Designation |
|--------|---|-----------------|----------------------|
| 1      | 5 Pin Audio plug connector with crimp sleeve terminal & molded strain relief (Not supplied) | M55116/5-X      | 164-182-X            |
| 2      | 6 Pin Audio plug connector with crimp sleeve terminal & molded strain relief (Not supplied) | M55116/6-X      | 164-182-6-X          |

| Dash no-X | Cable diameter |
|-----------|----------------|
| -0        | N/A            |
| -1        | 4.19 ± 0.25    |
| -2        | 5.79 ± 0.25    |
| -3        | 6.35 ± 0.25    |
| -4        | 7.36 ± 0.25    |
| -5        | 8.12 ± 0.25    |

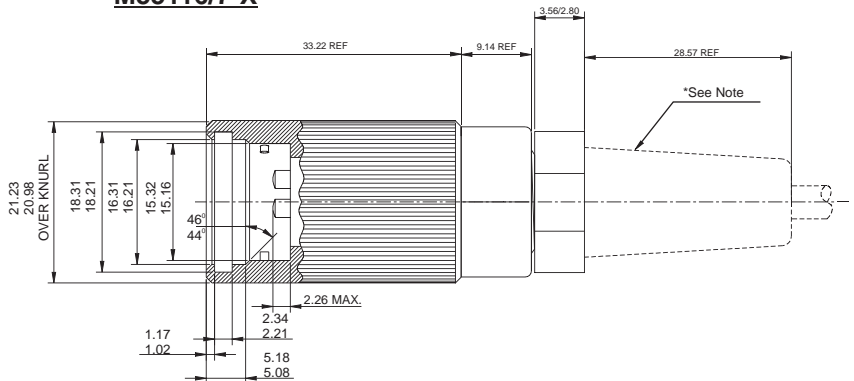
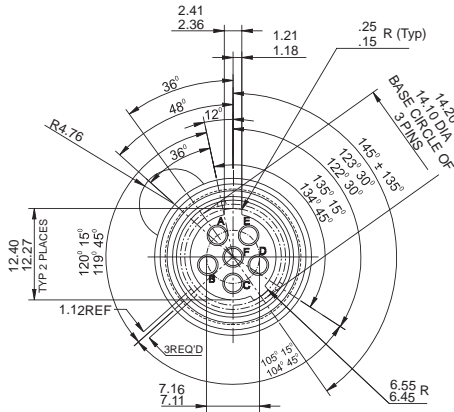
X Stands for the Cable size accommodation, is identified by a dash number as shown in above table. This number indicates the outside diameter of the cable that the connector will accommodate.

\*Nylon molded strain relief on request

# Five & Six Pin Audio Plug Connector Solder Cup Terminal



## M55116/7-X



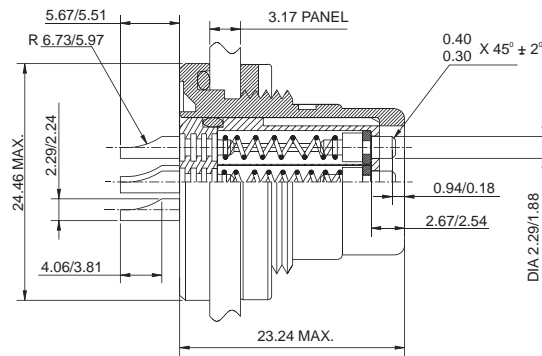
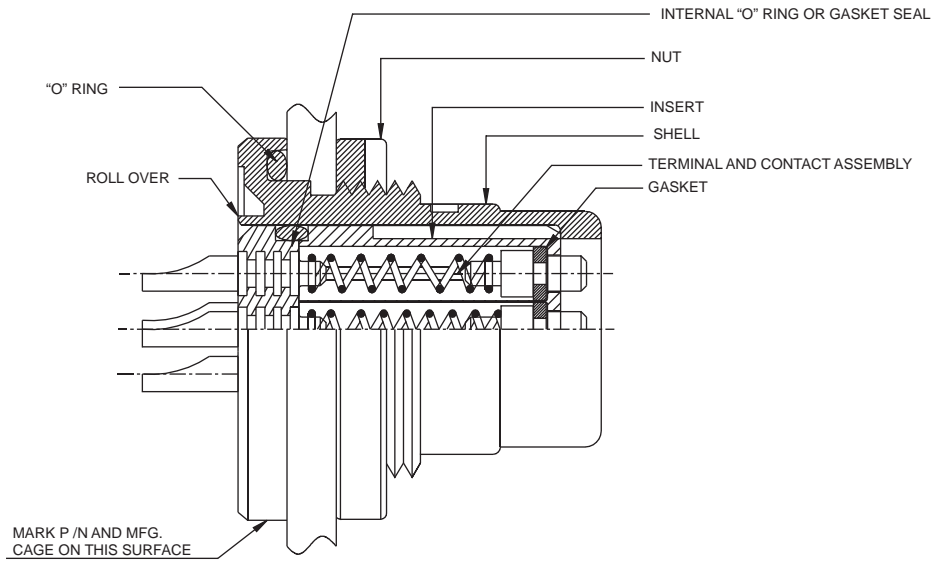
## M55116/8-X

| Sr No. | Description   | MIL Designation | Amphenol Designation |
|--------|---|-----------------|----------------------|
| 1      | 5 Pin Audio plug connector with Solder Cup Terminal & molded strain relief (Not Supplied) | M55116/7-X      | 164-182-S-X          |
| 2      | 6 Pin Audio plug connector with Solder Cup Terminal & molded strain relief (Not Supplied) | M55116/8-X      | 164-182-6S-X         |

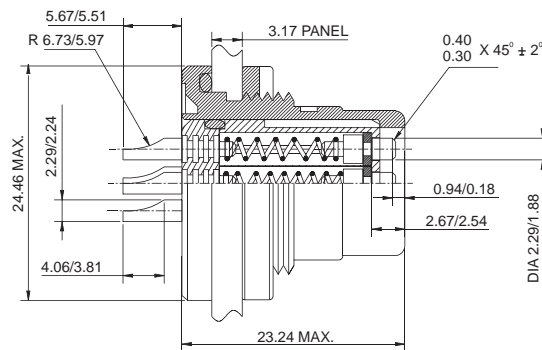
| Dash no-X | Cable diameter |
|-----------|----------------|
| -0        | N/A            |
| -1        | 4.19 ± 0.25    |
| -2        | 5.79 ± 0.25    |
| -3        | 6.35 ± 0.25    |
| -4        | 7.36 ± 0.25    |
| -5        | 8.12 ± 0.25    |

X Stands for the Cable size accommodation, is identified by a dash number as shown in above table. This number indicates the outside diameter of the cable that the connector will accommodate.

\*Nylon molded strain relief on request



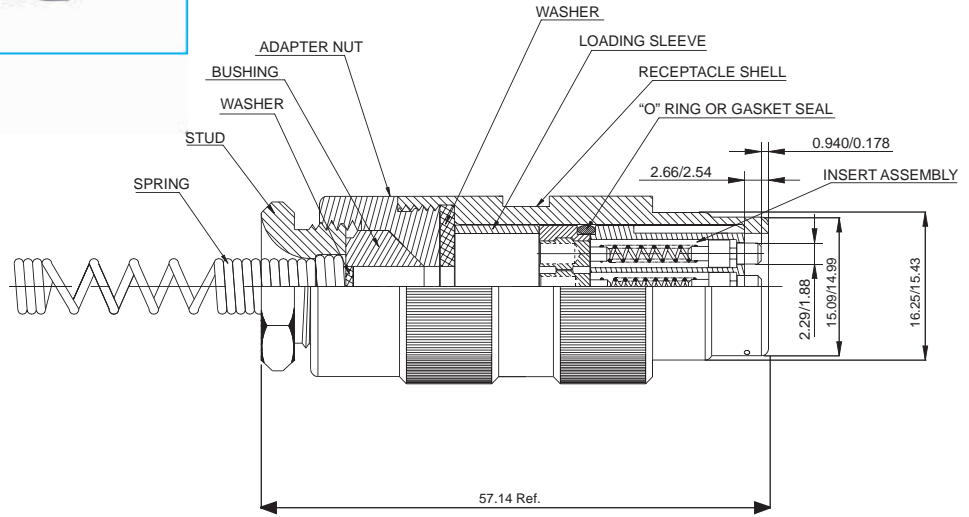
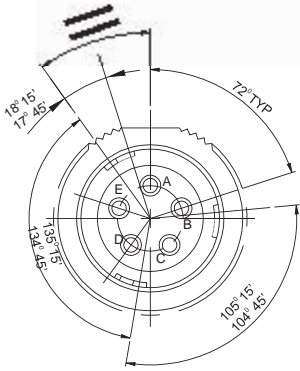
**M55116/9**



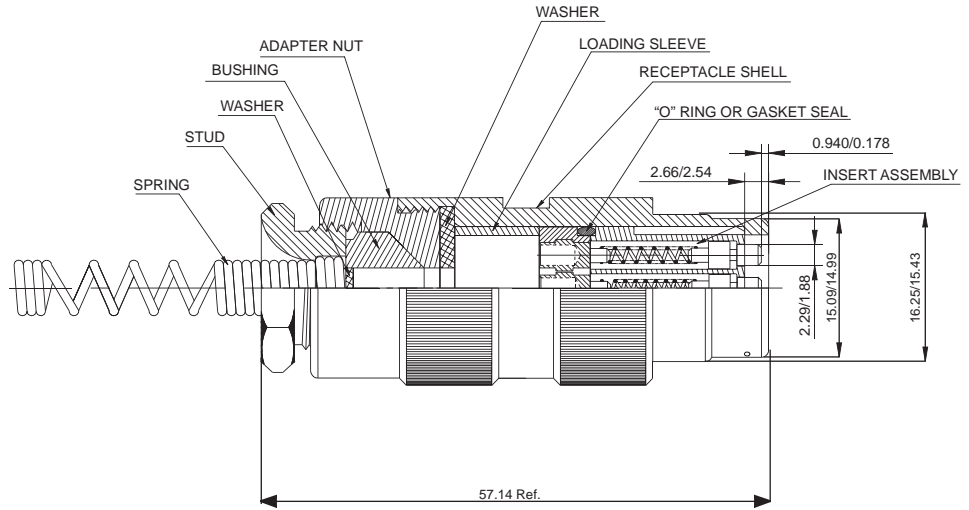
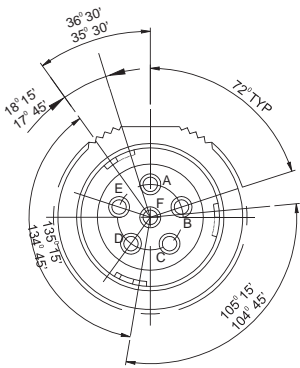
**M55116/10**



| Sr No. | Description  | MIL Designation | Amphenol Designation |
|--------|--|-----------------|----------------------|
| 1      | 5 Pin Audio Receptacle with solder cup terminal, Panel Mount | M55116/9        | 164-183              |
| 2      | 6 Pin Audio Receptacle with solder cup terminal, Panel Mount | M55116/10       | 164-183-6            |



**M55116/11-X**



**M55116/12-X**

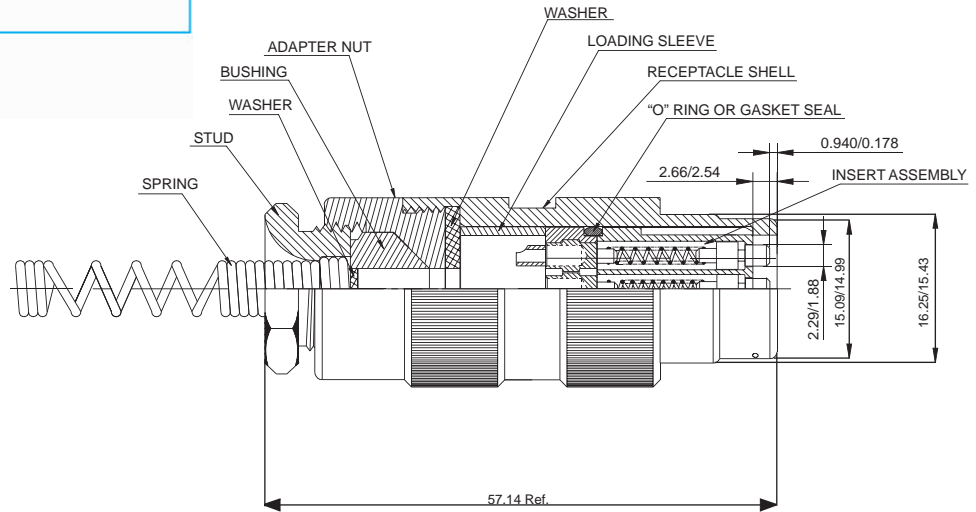
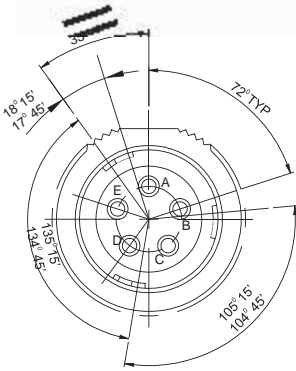
| Sr No. | Description  | MIL Designation | Amphenol Designation |
|--------|--|-----------------|----------------------|
| 1      | 5 Pin Audio Receptacle with Crimp sleeve terminal & wire strain relief | M55116/11-X     | 164-228-X            |
| 2      | 6 Pin Audio Receptacle with Crimp sleeve terminal & wire strain relief | M55116/12-X     | 164-228-6-X          |

| Dash no-X | Cable diameter |
|-----------|----------------|
| -0        | N/A            |
| -1        | 4.19 ± 0.25    |
| -2        | 5.79 ± 0.25    |
| -3        | 6.35 ± 0.25    |
| -4        | 7.36 ± 0.25    |
| -5        | 8.12 ± 0.25    |

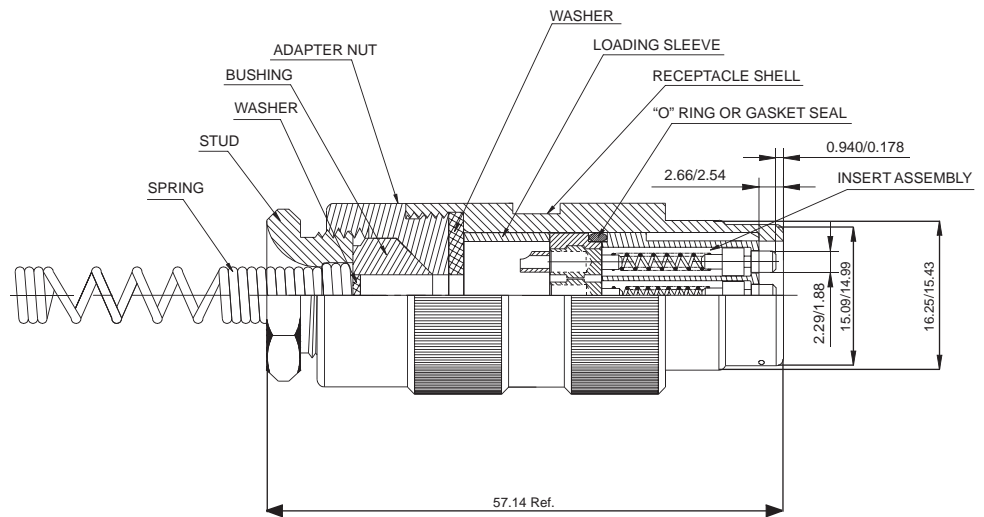
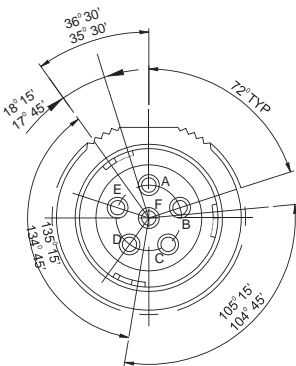
X Stands for the Cable size accommodation, is identified by a dash number as shown in above table. This number indicates the outside diameter of the cable that the connector will accommodate.

# F

## ive & Six Pin Audio Receptacle Connector Solder Cup Terminal



**M55116/13-X**



**M55116/14-X**

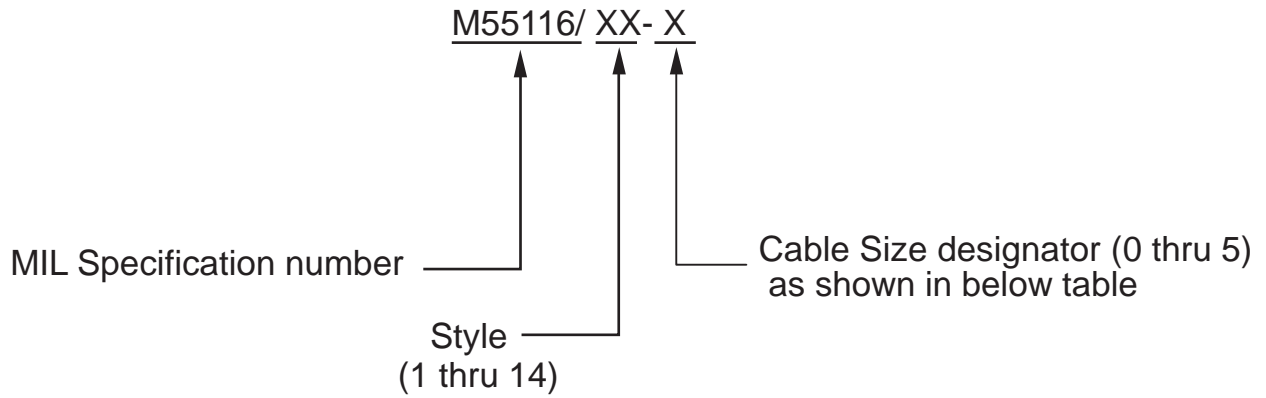
| Sr No. | Description  | MIL Designation | Amphenol Designation |
|--------|--|-----------------|----------------------|
| 1      | 5 Pin Audio Receptacle with solder cup terminal & wire strain relief | M55116/13-X     | 164-228-S-X          |
| 2      | 6 Pin Audio Receptacle with solder cup terminal & wire strain relief | M55116/14-X     | 164-228-6S-X         |

| Dash no-X | Cable diameter |
|-----------|----------------|
| -0        | N/A            |
| -1        | 4.19 ± 0.25    |
| -2        | 5.79 ± 0.25    |
| -3        | 6.35 ± 0.25    |
| -4        | 7.36 ± 0.25    |
| -5        | 8.12 ± 0.25    |

X Stands for the Cable size accommodation, is identified by a dash number as shown in above table. This number indicates the outside diameter of the cable that the connector will accommodate.

# List of Qualified Part Numbers

| Sr. No. | MIL Specification Designation | Amphenol Designation |
|---------|-------------------------------|----------------------|
| 1       | M55116/1-1                    | 164-229-1            |
| 2       | M55116/1-2                    | 164-229-2            |
| 3       | M55116/1-3                    | 164-229-3            |
| 4       | M55116/1-4                    | 164-229-4            |
| 5       | M55116/1-5                    | 164-229-5            |
| 6       | M55116/2-1                    | 164-229-6-1          |
| 7       | M55116/2-2                    | 164-229-6-2          |
| 8       | M55116/2-3                    | 164-229-6-3          |
| 9       | M55116/2-4                    | 164-229-6-4          |
| 10      | M55116/2-5                    | 164-229-6-5          |
| 11      | M55116/3-1                    | 164-229-S-1          |
| 12      | M55116/3-2                    | 164-229-S-2          |
| 13      | M55116/3-3                    | 164-229-S-3          |
| 14      | M55116/3-4                    | 164-229-S-4          |
| 15      | M55116/3-5                    | 164-229-S-5          |
| 16      | M55116/4-1                    | 164-229-6S-1         |
| 17      | M55116/4-2                    | 164-229-6S-2         |
| 18      | M55116/4-3                    | 164-229-6S-3         |
| 19      | M55116/4-4                    | 164-229-6S-4         |
| 20      | M55116/4-5                    | 164-229-6S-5         |
| 21      | M55116/5-1                    | 164-182-1            |
| 22      | M55116/5-2                    | 164-182-2            |
| 23      | M55116/5-3                    | 164-182-3            |
| 24      | M55116/5-4                    | 164-182-4            |
| 25      | M55116/5-5                    | 164-182-5            |
| 26      | M55116/6-1                    | 164-182-6-1          |
| 27      | M55116/6-2                    | 164-182-6-2          |
| 28      | M55116/6-3                    | 164-182-6-3          |
| 29      | M55116/6-4                    | 164-182-6-4          |
| 30      | M55116/6-5                    | 164-182-6-5          |
| 31      | M55116/7-1                    | 164-182-S-1          |
| 32      | M55116/7-2                    | 164-182-S-2          |
| 33      | M55116/7-3                    | 164-182-S-3          |
| 34      | M55116/7-4                    | 164-182-S-4          |
| 35      | M55116/7-5                    | 164-182-S-5          |
| 36      | M55116/8-1                    | 164-182-6S-1         |
| 37      | M55116/8-2                    | 164-182-6S-2         |
| 38      | M55116/8-3                    | 164-182-6S-3         |
| 39      | M55116/8-4                    | 164-182-6S-4         |
| 40      | M55116/8-5                    | 164-182-6S-5         |
| 41      | M55116/9                      | 164-183              |
| 42      | M55116/10                     | 164-183-6            |
| 43      | M55116/11-1                   | 164-228-1            |
| 44      | M55116/11-2                   | 164-228-2            |
| 45      | M55116/11-3                   | 164-228-3            |
| 46      | M55116/11-4                   | 164-228-4            |
| 47      | M55116/11-5                   | 164-228-5            |
| 48      | M55116/12-1                   | 164-228-6-1          |
| 49      | M55116/12-2                   | 164-228-6-2          |
| 50      | M55116/12-3                   | 164-228-6-3          |
| 51      | M55116/12-4                   | 164-228-6-4          |
| 52      | M55116/12-5                   | 164-228-6-5          |
| 53      | M55116/13-1                   | 164-228-S-1          |
| 54      | M55116/13-2                   | 164-228-S-2          |
| 55      | M55116/13-3                   | 164-228-S-3          |
| 56      | M55116/13-4                   | 164-228-S-4          |
| 57      | M55116/13-5                   | 164-228-S-5          |
| 58      | M55116/14-1                   | 164-228-6S-1         |
| 59      | M55116/14-2                   | 164-228-6S-2         |
| 60      | M55116/14-3                   | 164-228-6S-3         |
| 61      | M55116/14-4                   | 164-228-6S-4         |
| 62      | M55116/14-5                   | 164-228-6S-5         |



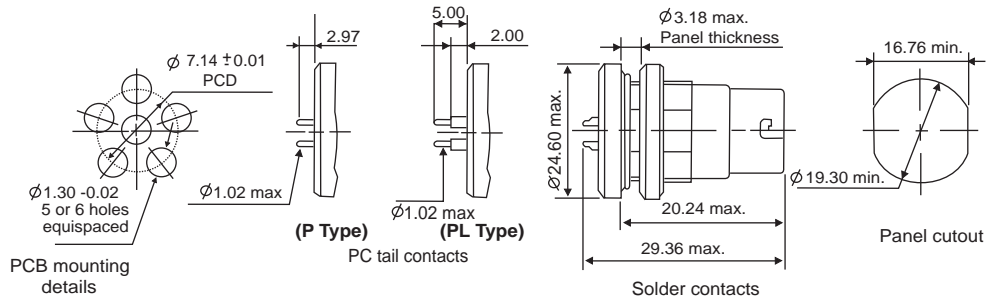
| Dash no-X | Cable diameter |
|-----------|----------------|
| -0        | N/A            |
| -1        | 4.19 ± 0.25    |
| -2        | 5.79 ± 0.25    |
| -3        | 6.35 ± 0.25    |
| -4        | 7.36 ± 0.25    |
| -5        | 8.12 ± 0.25    |

Note : Standard plug connector supplied with nylon over molding. For Stainless Steel version please add prefix S01 at the end of part number ordering information.

# Special Products



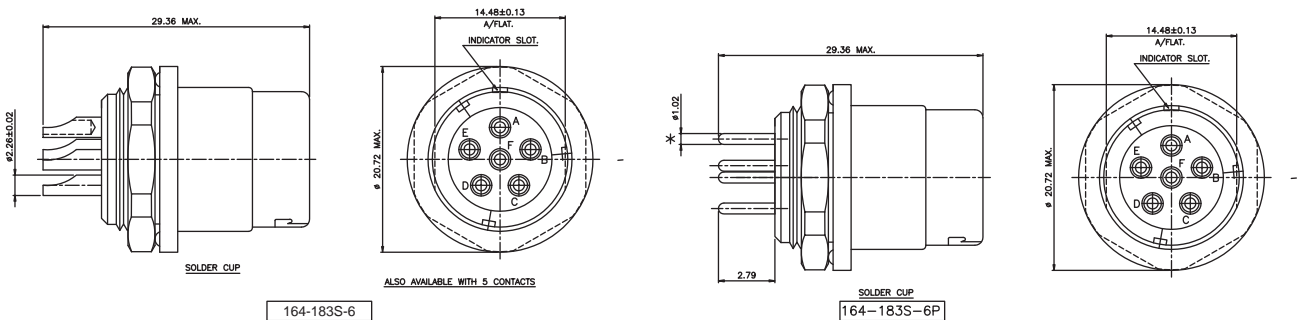
## Receptacles With PC Tail Contacts



All dimensions in mm

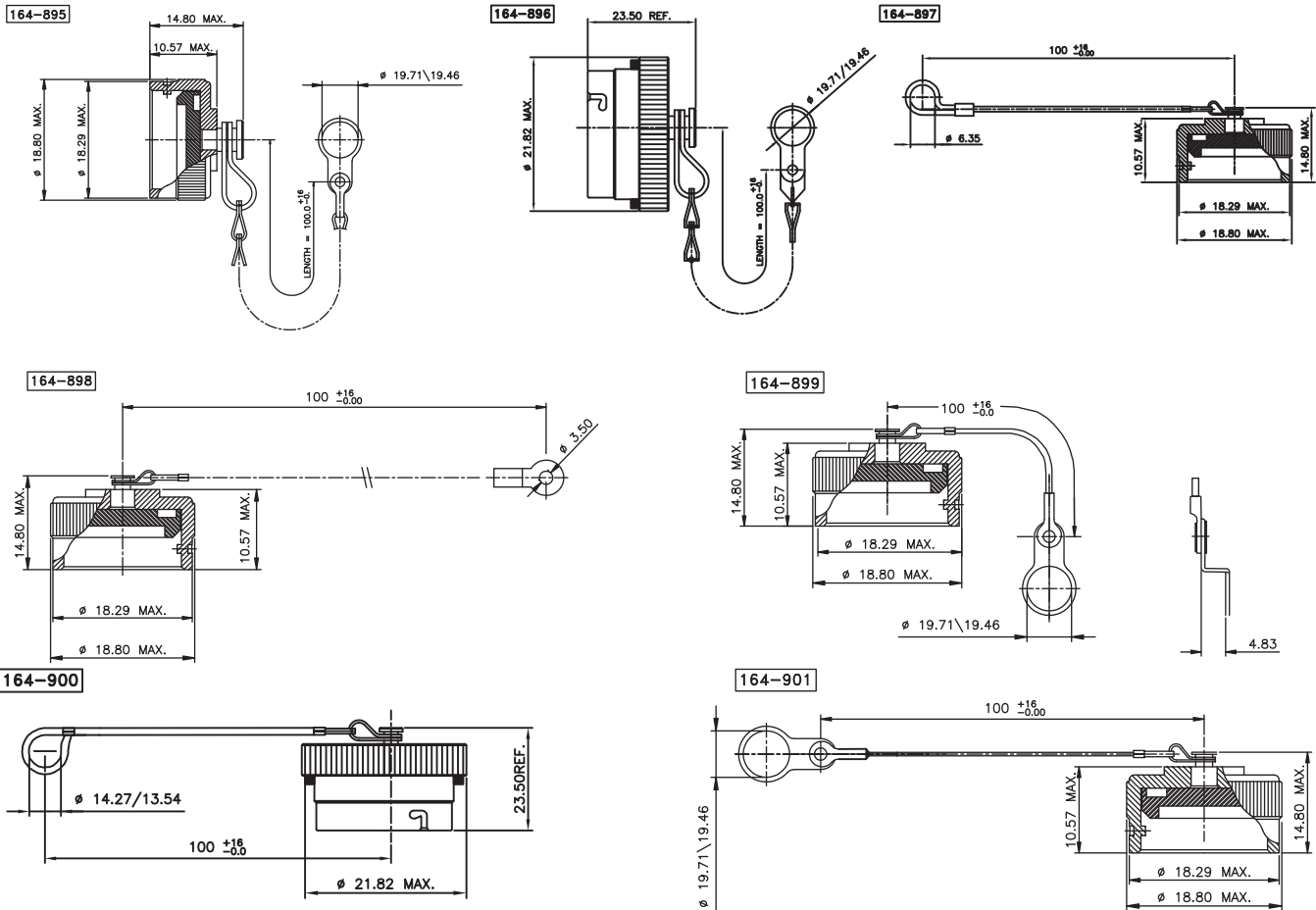
| Part Number | No. of Contacts | Contact Type          | Mates With                       |
|-------------|-----------------|-----------------------|----------------------------------|
| 164-183-P   | 5               | PC tail spring loaded | 164-229, 164-229-S, 164-182      |
| 164-183-PL  | 5               | PC tail spring loaded | 164-182-S, 164-182-L, 164-182-LS |
| 164-183-6P  | 6               | PC tail spring loaded | 164-229-6, 164-229-6S, 164-182-6 |
| 164-183-6PL | 6               | PC tail spring loaded | 164-182-6S, 164-182-6L           |

## Rear Mount Receptacles 6 Pins



Note: For 5 Pin connector contact Factory

**Accessories - Caps For 5 & 6 Pin Connectors**



**ORDERING INFORMATION FOR 164 DUST CAP**

Series Designation **164**  
**164. MIL 55116 Audio Connector Caps**  
 Shell Style **895**

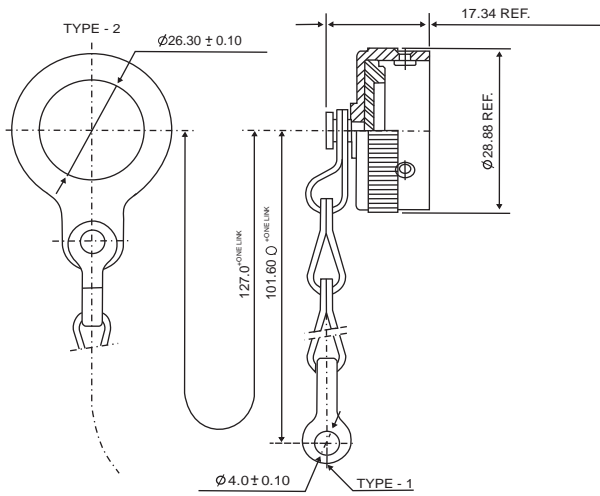
- 895:-Receptacle dust caps for 5 & 6 pin audio connector with chain & solid ring
- 896:-Plug dust caps for 5 & 6 pin audio connector with chain & solid ring
- 897:-Receptacle dust caps for 5 & 6 pin audio connector with nylon rope & loop
- 898:-Receptacle dust caps for 5 & 6 pin audio connector with nylon rope & SS lug
- 899:-Receptacle dust caps for 5 & 6 pin audio connector with SS rope & lug
- 900:-Receptacle dust caps for 5 & 6 pin audio connector with SS rope & loop
- 901:-Receptacle dust caps for 5 & 6 pin audio connector with nylon rope & solid ring

**CD** **LXX**  
 Special Deviation for length for standard none for Non std. mention length in mm

**Finish**  
 Standard Black anodic caps  
 CD - Cadmium olive green finish  
 622 - Zn Co olive green finish  
 624 - Zn Co black finish

| MATERIAL |                                 |
|----------|---------------------------------|
| Cover    | : Machined Alluminium Alloy     |
| Gasket   | : Silicon elastomer             |
| Chain    | : Stainless steel passivated    |
| Ring     | : Stainless steel passivated    |
| SS Rope  | : Stainless steel teflon coated |
| Rope     | : Nylon (olive green)           |
| Fastners | : Stainless steel passivated    |

### Dust Cap for 10 Pin Receptacle



All dimensions in mm

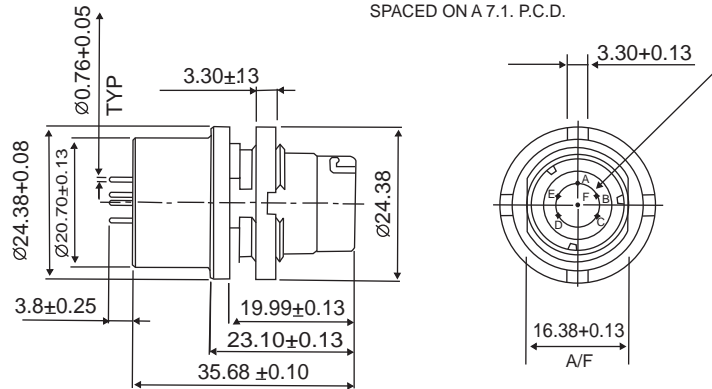
Table 1

| Dust Cap No.   | Link Type | Cap Finish                                |
|----------------|-----------|---|
| 164-377        | Type-2    | Black Anodised                            |
| 164-377-714    | Type-2    | Cadmium Plate with Electroless Under Coat |
| 164-377-01     | Type-1    | Black Anodised                            |
| 164-377-01-714 | Type-1    | Cadmium Plate with Electroless Under Coat |

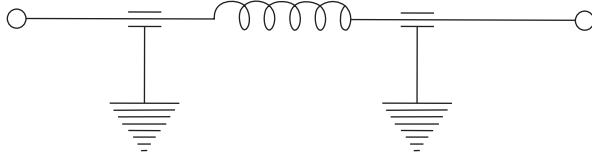
### 164F-1836B -527 Filtered Audio Receptacle Connector



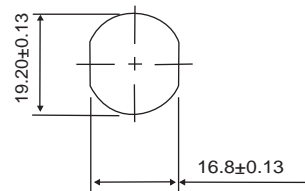
CONTACTS ARE EQUALLY SPACED ON A 7.1. P.C.D.



SCHEMATIC DIAGRAM OF 'Pi' FILTER



PANEL CUTOUT



**164F - 1836B -527 Filtered Audio Receptacle Connector**

**SPECIFICATIONS (Technical Data):**

**MATERIALS**

Shell and Panel Nut : Stainless Steel  
 Contacts : Copper Alloy  
 Insulator : Diallyl Pthalate Per MIL-M-14 Type MDG/Polyethersulfone

**FINISH COLOUR**

Shell and Panel Nut : Sand blasted & Passivated  
 Contacts : 0.75µ Thick Gold Plate Over Nickel Undercoat 2.54µ  
 Insulator : Blue/Black

**ELECTRICAL PROPERTIES**

Operating Voltage : 60V Max . Potential  
 Current Rating : 0.5A Max.  
 Dielectric Breakdown : 300V DC  
 Insulation Resistance : 1000M Ohms  
 Contact Resistance(Mated) : 0.050 Ohms Max.

**MECHANICAL PROPERTIES**

Air pressure : 2.5 P.S.I.  
 Water Immersion : 48 Hrs. At 6 Feet  
 Durability : 3000 Cycles Mate and Unmate

**OPERATING TEMPERATURE RANGE : -55 °C TO 85 °C**

**AMPHENOL 164 F-1836B-527 RECEPTACLE MATES WITH:**

Amphenol 164 -229 -6  
 Amphenol 164-229-6S

**164F - 186B - 527 Filtered Audio Receptacle Connector**

**CONNECTOR MEETS ALL REQUIREMENT OF MIL-C-55116/5081**

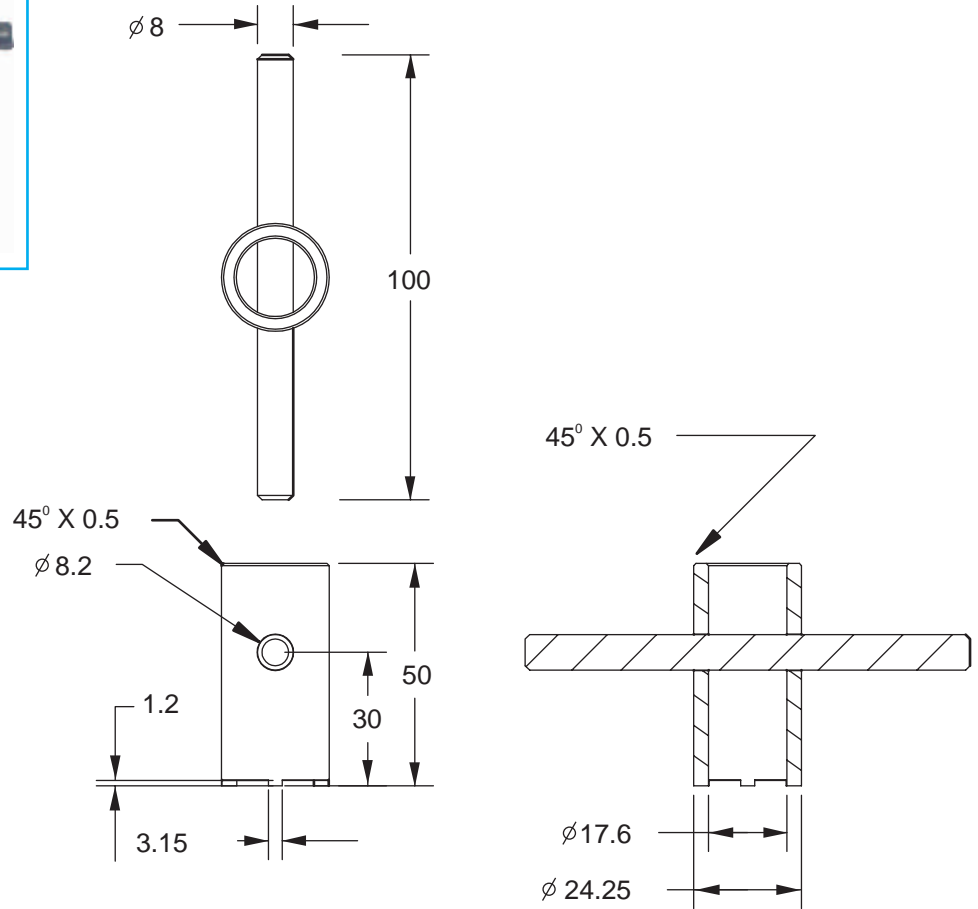
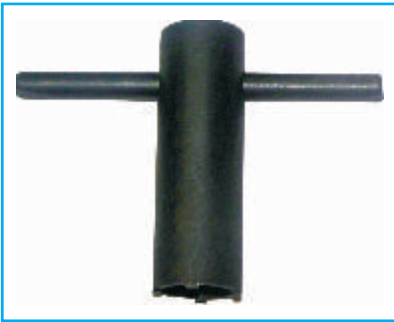
**FILTER SPECIFICATIONS:**

|   |   |
|---|---|
| Capacitance ( 1KHz, 25° )                           | :8000PF TYP                                   |
| Insertion Loss (TYP.)<br>(MIL-STD-220, No Load 25°) | :1Mhz - 4dB<br>:10Mhz - 25dB<br>:50Mhz - 60dB |
| Working Voltage                                     | :100DVC                                       |
| Dielectric Voltage Breakdown                        | :300VDC                                       |
| Insulation Resistance<br>(100VDC, 25° C)            | :10000 Mohms Min.                             |
| RF Current  | :0.25 A Max.                                  |

**METHOD OF DESIGNATION**

| <b>Connector Number</b> | <b>Description</b>                             | <b>No. Of Contacts</b> | <b>Contact Termination</b> |
|-------------------------|--|------------------------|----------------------------|
| <b>164F-1836B-527</b>   | <b>164 Filtered Audio Receptacle Connector</b> | <b>6</b>               | <b>PC Tail</b>             |

**Tightening Spanner (164-T001)**  
**(Panel nut tightening for 164-183 Connector)**



Notice: All information, including illustrations given herein is believed to be accurate at the time of printing. In lieu of design advances, Amphenol reserves the right to change specifications without notice. This publication Series 164 Connectors dt. 15-07-10 supercedes all existing Amphenol literature on Series 164 Connectors.

## NORTH AMERICA

### Sales & Product Support

Amphenol PCD  
72 Cherry Hill Drive  
Beverly, MA 01915 USA  
Tel: +1-978-624-3400  
Fax: +1-978-927-1513  
info@amphenolpcd.com  
www.amphenolpcd.com  
www.backshellworld.com

Amphenol Aerospace Operations  
40-60, Delaware Avenue  
Sidney, NY 13838-1395  
Tel: +1-607-563-5011  
Fax: +1-607-563-5357

Amphenol Canada  
Meford Drive  
Scarborough,  
ON M1B 2X6  
Tel: +416-291-4401  
Fax: +416-292-0647

Amphenol Fiber Systems International  
1300 Central Expressway North  
Suite 100 Allen, Texas 75013, USA  
Tel: +1-214-547-2400  
Fax: +1-214-547-9344

## EUROPE

### France

Amphenol Socapex S.A.S.  
948, Promenade de l'Arve  
Bp29, Thyez Cedex  
74311, France  
Tel: +33-4-5089-2800  
Fax: +33-4-5096-1941

### United Kingdom

Amphenol Limited  
Thanet Way, Whitstable  
Kent CT5 3JF, England  
Tel: +44-1227-773-200  
Fax: 44-1227-276-571

### Germany

Amphenol-Air LB GmbH  
Am Kleinbahnhof 4  
Saarlouis  
D-66740, Germany  
Tel: 49-6831-9810-00  
Fax: 49-6831-9810-30

### Italy

Via Barbaiana 5  
20020 Lainate (Milano)  
Italy  
Tel: +39-02-93254.209  
+39-02-93254.214  
Fax: +39-02-93254-444

### Center & East Europe

Amphenol  
Wiener Gasse 68  
2380 Perchtoldsdorf  
Tel: +43-699-10396071  
Fax: +43 699 40396071

Amphenol Air-LB  
Immeuble Le Doublon  
11, Avenue Dobonnet  
Courbevoie-Cedex  
92407, France  
Ph: +33-1-4905-3000  
Fax: +33-1-4905-3043

### Spain

Amphenol Iberica  
Edificio Burgosol Oficina  
N 55 C/Comunidad de  
Madrid 35 bis -  
Las Rozas (Madrid)  
Tel: +34-91-6407302  
+34-91-6407306  
Fax: +34-91-6407307

### Austria

Amphenol Austria  
Wiener Gasse 68  
2380, Erchtoldsdorf,  
Austria  
Tel: + 43-69910396071  
Fax: + 43-69940306071

### Holland

Amphenol Benelux  
Zademaker 121  
NL-2401 PD Alphen  
aan den Rijn Holland  
Tel: +31-172-444903  
Fax: +31-172 240254

### Sweden

Amphenol  
(Nordic & Baltic)  
Ångsullsvägen 7  
S-187 51 Täby.  
Sweden  
Tel: +46-85-1051816  
+46-76-8418600  
Fax: +46-70- 2634677  
+46-70-2203197

## ASIA

### India

Amphenol Interconnect India Pvt. Ltd.  
105 Bhosari Industrial Area  
Pune-411026, India  
Tel: +9120-3068-8305  
Fax: +9120-2712-9158

Amphenol Interconnect India Pvt. Ltd.  
61 Electronics City  
Bangalore-560 100, India  
Ph: +9180-2852-3838  
Fax: +9180-2852-0418

### Japan

Amphenol Japan  
471-1, Deba, Ritto City  
Shiga 520-3041, Japan  
Tel: +81-77-553-8501  
Fax: +81-77-551-2200

### Korea

Amphenol Daeshin Electronics  
558 SoSa, SongNae, Bucheon-City  
Kyunggi-Do, Korea 420-130  
Tel: +82-32-610-3800  
Fax: +92-32-673-2507

### Singapore

Amphenol East Asia Ltd.  
72 Bendemeer Road  
# 03-33 Luzerne  
Singapore 339 941  
Tel: 65-6294-2128  
Fax: 65-6294-3522

### China

Amphenol PCD Shenzhen  
3/F Building, A4 Songbai  
Industrial Park  
East Road of Minghuan  
Gongming Town, Baon District  
Shenzhen, China  
Tel: +86-755-8173-8000  
Fax: +86-755-8173-8180

## ROW

### Australia

Amphenol Australia Pty Ltd  
2 Fiveways Boulevard  
Keysborough  
VIC 3173  
Ph: +61-3-8796-8888  
Fax: +61-3-8796-8801

### Africa

Amphenol South Africa  
30 Impala Road  
2196 Sandton-Chistlehurst  
South Africa  
Tel: +27-11-783-9517  
Fax: +27-11-783-9519

### Russia

Amphenol Russia  
8-2 Yaroslavskaja Str  
129164 Moscow, Russia  
Tel: +7-495-937-6341  
Fax: +7-495-937-6319

### Argentina

Amphenol Argentina  
Avenida Callao 930  
2nd Floor, Office B Plaza  
C1023AAP Buenos Aires  
Argentina  
Tel: 54-11-4815-6886  
Fax: 54-11-4814-5779

### Israel

Bar-Tec Ltd.  
P.O. Box 279  
Kfar Sava, 44102 Israel  
Tel: +972-9-7644100  
Fax: +972-9-7674324

### Maslak

34396 Istanbul  
Tel: +90-212-335-2501  
Fax: +90-212-335-2500

### Brazil

Amphenol do Brasil Ltda  
Rua Diogo Moreira 132  
CEP 05423-010  
Sao Paulo-SP, Brazil  
Tel: +55-11-3815-1003  
Fax: +55-11-3815-1629

# Amphenol

*A Global Company*





## Данный компонент на территории Российской Федерации

### Вы можете приобрести в компании MosChip.

Для оперативного оформления запроса Вам необходимо перейти по данной ссылке:

<http://moschip.ru/get-element>

Вы можете разместить у нас заказ для любого Вашего проекта, будь то серийное производство или разработка единичного прибора.

В нашем ассортименте представлены ведущие мировые производители активных и пассивных электронных компонентов.

Нашей специализацией является поставка электронной компонентной базы двойного назначения, продукции таких производителей как XILINX, Intel (ex.ALTERA), Vicor, Microchip, Texas Instruments, Analog Devices, Mini-Circuits, Amphenol, Glenair.

Сотрудничество с глобальными дистрибьюторами электронных компонентов, предоставляет возможность заказывать и получать с международных складов практически любой перечень компонентов в оптимальные для Вас сроки.

На всех этапах разработки и производства наши партнеры могут получить квалифицированную поддержку опытных инженеров.

Система менеджмента качества компании отвечает требованиям в соответствии с ГОСТ Р ИСО 9001, ГОСТ РВ 0015-002 и ЭС РД 009

### Офис по работе с юридическими лицами:

105318, г.Москва, ул.Щербаковская д.3, офис 1107, 1118, ДЦ «Щербаковский»

Телефон: +7 495 668-12-70 (многоканальный)

Факс: +7 495 668-12-70 (доб.304)

E-mail: [info@moschip.ru](mailto:info@moschip.ru)

Skype отдела продаж:

moschip.ru

moschip.ru\_4

moschip.ru\_6

moschip.ru\_9