



KMY22



KMY20



KMZ20

## KMY\_KMZ

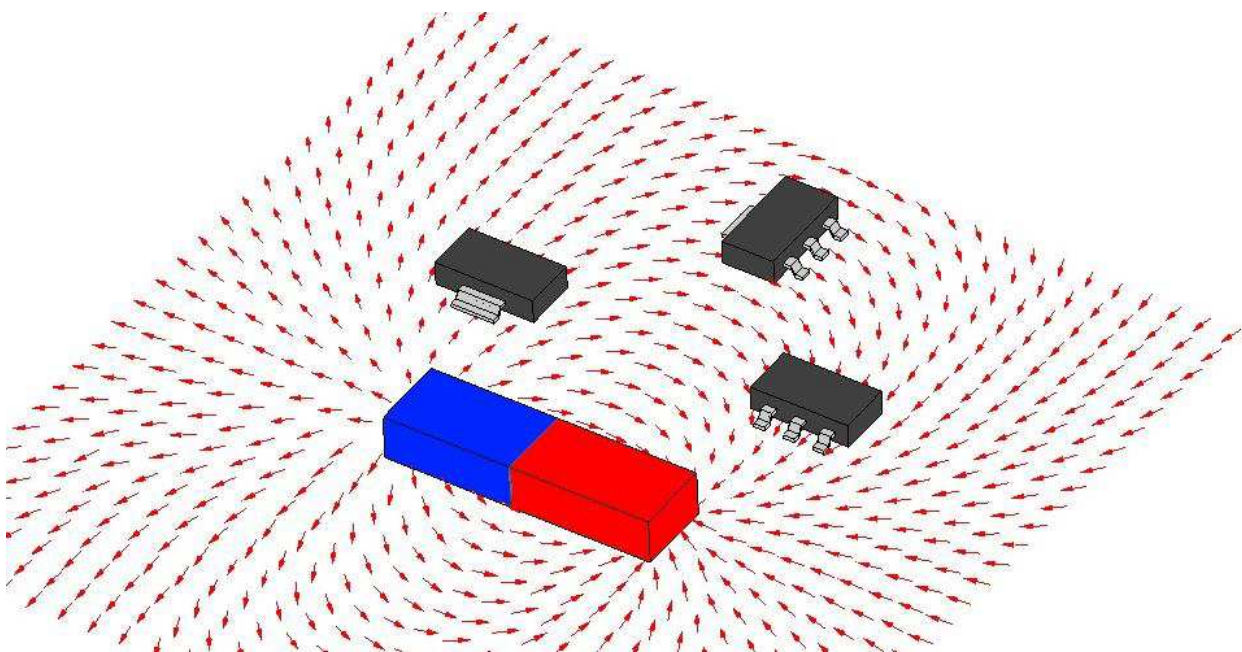
### Linear Magnetic Field Sensors

#### SPECIFICATIONS

- ◆ **AMR sensor**
- ◆ **Very high sensitivity**
- ◆ **Almost no hysteresis**
- ◆ **Various applications**
- ◆ **Available with internal magnet**
- ◆ **Available in several packages**

Due to its featured properties - high sensitivity and almost no hysteresis – the **KMY / KMZ** sensors are used in a wide range of applications, like magnetic field measurement, revolution counters, proximity detecting, and position measurement.

An uniaxial linear magnetic field will generate a linear output within the specified magnetic field range.



FEATURES

- ✦ Output proportional to magnetic field strength with very high sensitivity
- ✦ Very small hysteresis
- ✦ Large operating temperature range, from -40°C up to +150 °C
- ✦ Highly reliable
- ✦ With / without internal magnet

APPLICATIONS

- ✦ Detection of very weak magnetic fields, like earth magnetic field, or field generated by small magnetic particles
- ✦ Detection of objects that distort non-local magnetic fields
- ✦ Revolution measurement on ferromagnetic gears
- ✦ Contactless switch
- ✦ Contactless displacement / position sensor

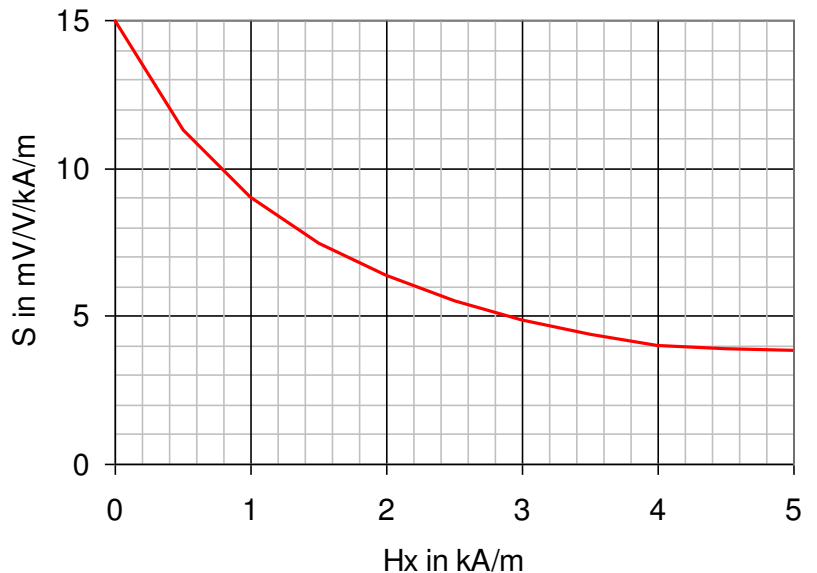
DESCRIPTION

An uniaxial linear magnetic field (in y-direction) will generate a linear output within the specified magnetic field range. The sensor is available in two types: the **KMY 20 M**, **KMY 21 M** and **KMZ 20 M** sensor types contain intrinsic magnets which provide an auxiliary magnetic field (in x-direction) at the sensor die which prevents magnetic domains from flipping irregularly.

If the dies **MR174B** or the components **KMY22**, **KMY20S** or **KMZ20S** are used, the auxiliary field has to be provided by the user. The dependence of the sensitivity with auxiliary field strength is depicted in the figure aside.

**Figure 1:** Sensitivity dependence on auxiliary field strength

Auxiliary Field Dependence



Auxiliary field strengths below  $H_x < 1.5$  kA/m are not recommended, as small disturbances may flip the magnetization domains. Sometimes, the magnetic conditions in the application may provide enough  $H_x$  bias field stabilization. MEAS Germany can provide advice for customer specific magnet arrangements.

If a bias field  $H_x$  is not applied or  $H_x$  is less than 2.5 kA/m, the sensor may be used only in a limited field range  $H_y$ , depending on the present total bias field  $H_{x,tot}$ . In this case, it is strongly recommended to 'premagnetize' the sensor, i.e. align all magnetic domains consistently, prior to the measurement.

$H_{x,tot}$  is the sum of all acting magnetic fields in x direction at the sensor die.

**Do not use the sensor outside the safe operating area.** Leaving the safe operating area can destroy an existing premagnetization and therefore will lead to unreproducible sensor signals.

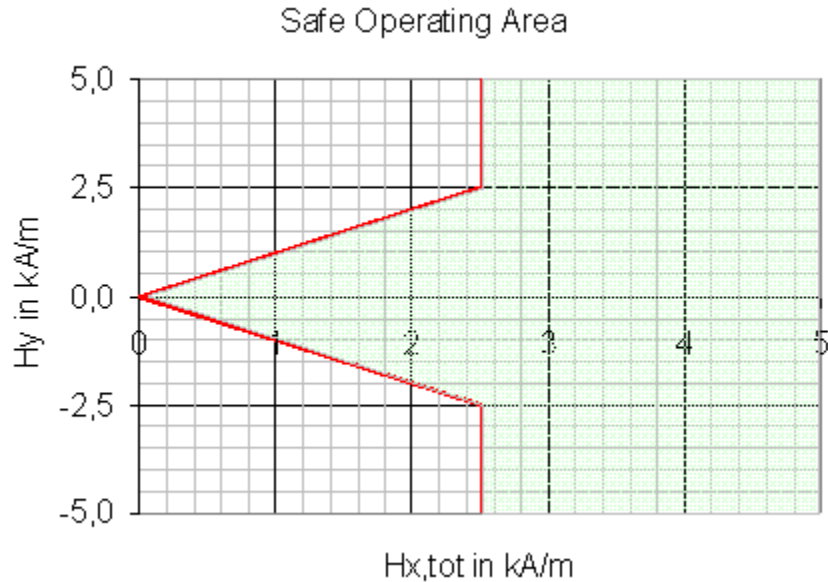


Figure 2: Safe operating area

CHARACTERISTIC VALUES / SENSOR SPECIFICATIONS

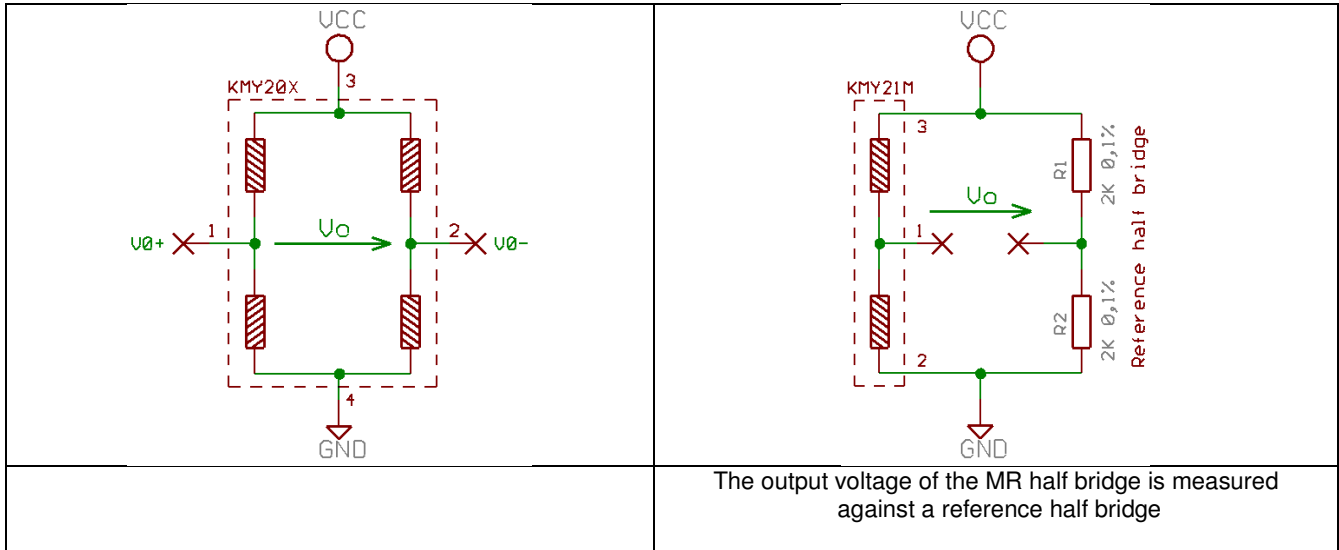
Parameter	Symbol	Condition	Min	Typ	Max	Unit
<b>Operating Limits</b>						
max. supply voltage	$V_{cc,max}$				10	V
max. current	$I_{cc,max}$				9	mA
operating temperature	$T_{op}$		-40		+150	°C
storage temperature	$T_{st}$		-40		+150	°C
<b>General Sensor Specifications</b>						
TC of amplitude	TCSV	Condition A, C		-0.35		%/K
TC of resistance	TCBR	Condition A, C		+0.35		%/K
TC of offset	TCVoff	Condition A, C	-4	0	+4	$\mu V/V/K$
<b>Sensor Specifications KMY 20 S, KMZ 20 S, KMY 22 (T=25 °C, Hx=3 kA/m externally)</b>						
Supply voltage	$V_{cc}$	Condition A, B		5		V
Bridge resistance	$R_b$	Condition A, B	1200	1700	2200	$\Omega$
Output signal range	$\pm V_o/V_{cc}$	Condition A, B	16	20	24	mV/V
Offset voltage	$V_{off}/V_{cc}$	Condition A, B	-1	0	+1	mV/V
Sensitivity	S	Condition A, B	3.7	4.7	5.7	mV/V/kA/m
Hysteresis	$V_H/V_{cc}$	Condition A, B	-	-	50	$\mu V/V$

<b>Sensor Specifications KMY 20 M, KMZ 20 M (T=25 °C, Hx=1.5±0.5 kA/m internally)</b>						
Supply voltage	$V_{cc}$	Condition A, B		<b>5</b>		V
Bridge resistance	$R_b$	Condition A, B	<b>1200</b>	<b>1700</b>	<b>2200</b>	Ω
Output signal range	$\pm V_o/V_{cc}$	Condition A, B	<b>16</b>	<b>20</b>	<b>24</b>	mV/V
Offset voltage	$V_{off}/V_{cc}$	Condition A, B	<b>-1.5</b>	<b>0</b>	<b>+1.5</b>	mV/V
Sensitivity	S	Condition A, B	<b>4</b>	<b>5.5</b>	<b>7</b>	mV/V/kA/m
Hysteresis	$V_H/V_{cc}$	Condition A, B	-	-	<b>50</b>	μV/V
<b>Sensor Specifications KMY 21 M (T=25 °C, Hx=2.5±1.0 kA/m internally)</b>						
Supply voltage	$V_{cc}$	Condition A, B		<b>5</b>		V
Bridge resistance	$R_b$	Condition A, B	<b>1100</b>	<b>1500</b>	<b>1900</b>	Ω
Output signal range	$\pm V_o/V_{cc}$	Condition A, B	<b>8</b>	<b>9.5</b>	<b>12</b>	mV/V
Offset voltage	$V_{off}/V_{cc}$	Condition A, B	<b>48</b>	<b>50</b>	<b>52</b>	%Vcc
Sensitivity	S	Condition A, B	<b>2.05</b>	<b>2.50</b>	<b>3.10</b>	mV/V/kA/m
Hysteresis	$V_H/V_{cc}$	Condition A, B	-	-	<b>50</b>	μV/V

Stress above one or more of the limiting values may cause permanent damage to the device. Exposure to limiting values for extended periods may affect device reliability.

### MEASUREMENT CONDITIONS

Parameter	Symbol	Unit	Condition
<b>Condition A: Set Up Conditions</b>			
Ambient temperature	T	°C	23±5 Measurement results are extrapolated to 25°C by using the given temperature coefficients
Supply voltage	$V_{cc}$	V	5
Output voltage	$V_o$ $V_o/V_{cc}$	mV mV/V	$V_o=(V_{o+} - V_{o-})$ Output voltages are also given independently on supply voltage: example: $V_o/V_{cc}=(V_{o+} - V_{o-})/V_{cc}$ ; measure MR half bridge against reference half bridge
Reference half bridge			2* 2 k_ 0.1% (KMY21M only)
for full bridge sensors (KMY20S, KMY20M, KMY22, KMZ20S, KMZ20M)		for half bridge sensors (KMY 21 M)	



The output voltage of the MR half bridge is measured against a reference half bridge

**Condition B: Sensor Specifications (T=25 °C, S-Type: Hx=3.0←0.5 kA/m)**

Output voltage range	$\pm V_o/V_{cc}$	mV/V	$H_y \bullet \dots kA/m; V_o \bullet V_{o,max} \bullet V_{o,min}$
Offset voltage	$V_{off}/V_{cc}$	mV/V	$H_y \bullet 0; V_{off} \bullet V_o \bullet H_y$
Sensitivity	S	(mV/V)/(kA/m)	$H_y \bullet 1kA/m; S \bullet \frac{V_o \bullet H_y \bullet V_o \bullet H_y}{2 \bullet V_{cc}}$
Hysteresis	$V_H/V_{cc}$	$\mu V/V$	$H_y$ in kA/m $(V_o(H_y \bullet 0; H_y \bullet H_y) \bullet V_o(H_y \bullet 0; H_y \bullet H_y))/V_{cc}$

**Condition C: Sensor Specifications (reference temperatures T=-25°C, +125°C)**

Ambient temperatures	T	°C	T <sub>1</sub> =-25 °C, T <sub>0</sub> =+25 °C, T <sub>2</sub> =+125 °C
TC of amplitude	TCSV	%/K	$TCV \bullet \frac{1}{(T_2 \bullet T_1)} \bullet \frac{V_o/V_{cc}(T_2) \bullet V_o/V_{cc}(T_1)}{V_o/V_{cc}(T_1)} \bullet 100\%$
TC of resistance	TGBR	%/K	$TCR \bullet \frac{1}{(T_2 \bullet T_1)} \bullet \frac{R(T_2) \bullet R(T_1)}{R(T_1)} \bullet 100\%$
TC of offset	TCVoff	( $\mu V/V$ )/K	$TCV_{off} \bullet \frac{V_{off}(T_2) \bullet V_{off}(T_1)}{(T_2 \bullet T_1)}$

SENSOR MODELS

KMY 20 / KMY 22 / KMZ 20

The KMY and KMZ sensors are highly sensitive magnetic field sensors which utilize the anisotropic magneto resistance effect. The KMY 20 and KMZ 20 sensors contain a Wheatstone bridge.

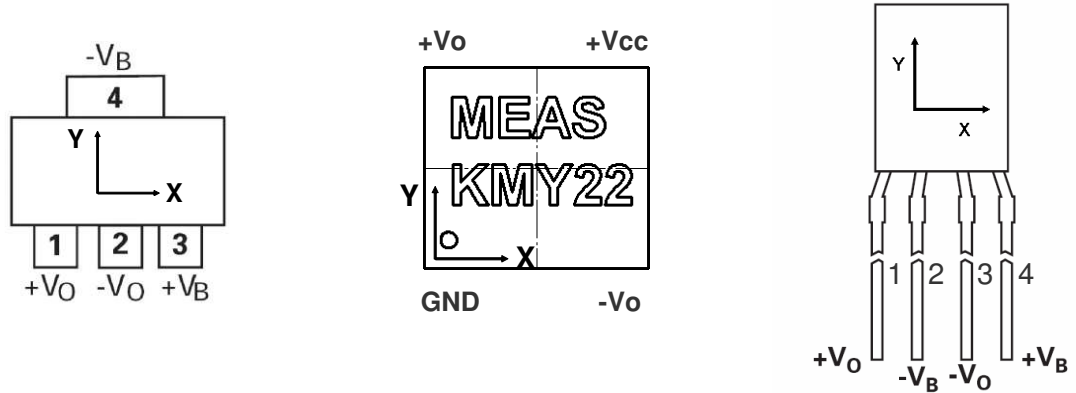


Figure 3: Pad annotation and definition of field direction for KMY & KMZ

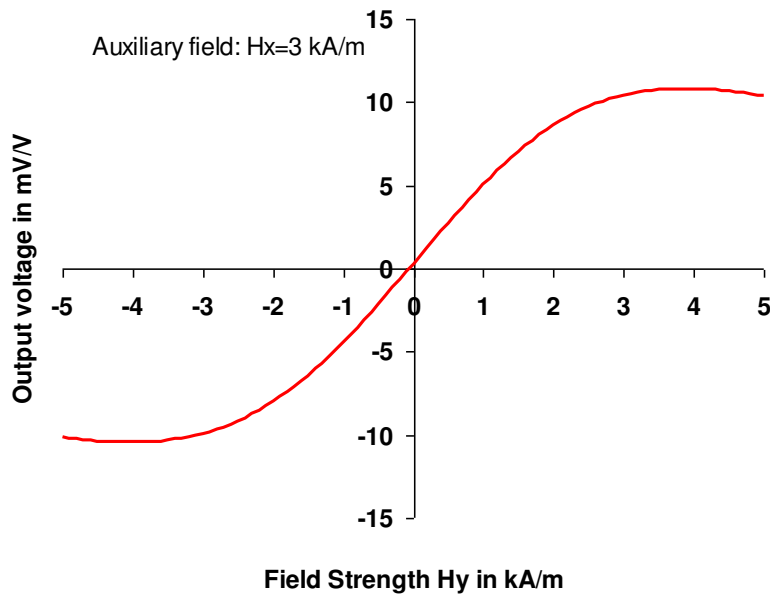
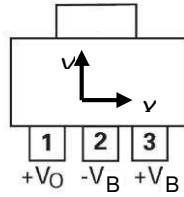


Figure 4: Characteristic output curve of KMY 20 S / KMY 22 / KMZ 20 S for an auxiliary field strength of  $H_x=3$  kA/m

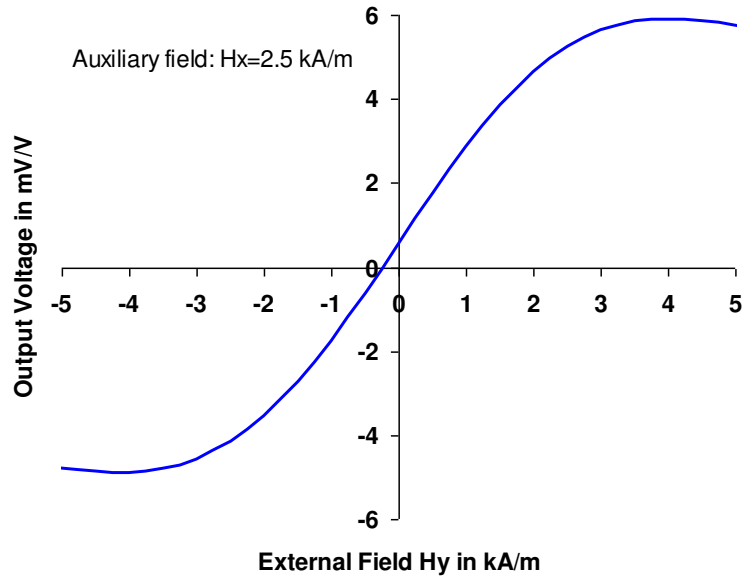
**KMY 21**

In contrast to the KMY20 sensor products, the **KMY 21 M** consists of a half bridge, making the sensor well suited for dynamic measurements.



It contains an internal magnet, which provides an auxiliary field of approx. 2.5 kA/m.

Figure 5: Characteristic curve for KMY21M



**TEMPERATURE DEPENDENCIES**

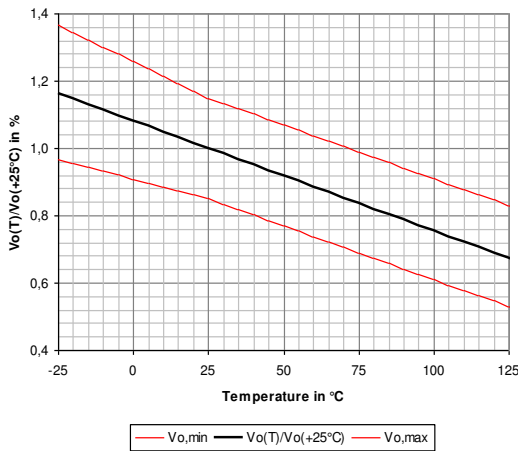


Figure 6: signal amplitude related to room temperature value

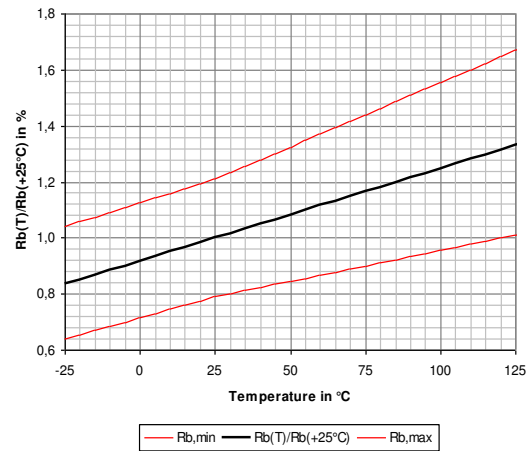
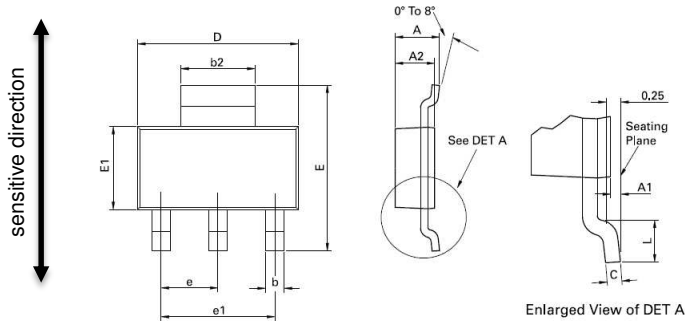


Figure 7: bridge resistance related to room temperature value

PACKAGES

SOT223

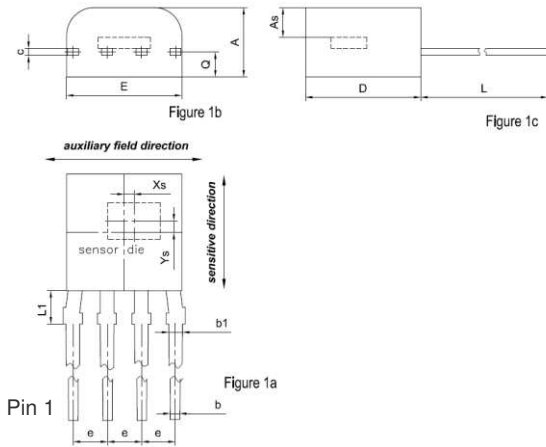
Recommended solder reflow process for all packages according to IPC/JEDEC J-STD-020D (Pb-Free Process)



DIM	Millimeters		Inches		DIM	Millimeters		Inches	
	Min	Max	Min	Max		Min	Max	Min	Max
A	-	1.80	-	0.071	e	2.30 BSC		0.0905 BSC	
A1	0.02	0.10	0.0008	0.004	e1	4.60 BSC		0.181 BSC	
b	0.66	0.84	0.026	0.033	E	6.70	7.30	0.264	0.287
b2	2.90	3.10	0.114	0.122	E1	3.30	3.70	0.130	0.146
C	0.23	0.33	0.009	0.013	L	0.90	-	0.355	-
D	6.30	6.70	0.248	0.264	-	-	-	-	-

Note: Controlling dimensions are in millimeters. Approximate dimensions are provided in inches

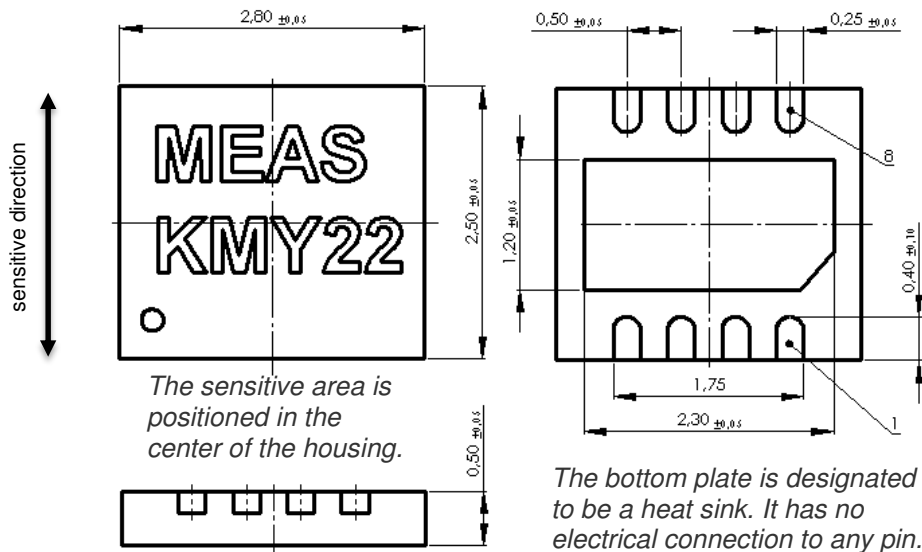
E-LINE 4 PIN



DIE POS.	Millimeter			Inches		
	KMZ20S	KMZ20M	tolerances	KMZ20S	KMZ20M	tolerances
Xs	+0.05	+0.05	+/-0.10	+0.002	+0.002	+/-0.004
Ys	+0.50	+0.50	+/-0.10	+0.02	+0.02	+/- 0.004
As	1.05	1.05	+/-0.10	0.041	0.041	+/-0.004

DIM	Millimeter			Inches		
	min.	typ.	max.	min.	typ.	max.
A	2.4		2.8	0.094		0.110
b	0.35		0.48	0.0138		0.0189
b1	0.45		0.60	0.0178		0.024
c	0.25		0.35	0.0098		0.0138
D	4.0		4.4	0.157		0.173
E	3.8		4.4	0.150		0.173
L	12.0		14.0	0.472		0.551
e	NOM. 1.25			NOM. 0.049		
L1	1.1		1.3	0.043		0.051

UTDFN8 2.5X2.8 MM





**ORDERING CODE**

<b>DEVICE</b>	<b>DIE</b>	<b>PACKAGE</b>	<b>INTERNAL MAGNET</b>	<b>PART NUMBER</b>
<b>KMY20 S</b>	full bridge	SOT-223	NO	<b>G-MRCO-006</b>
<b>KMY20 M</b>	full bridge	SOT-223	YES	<b>G-MRCO-001</b>
<b>KMY21 M</b>	half bridge	SOT-223	YES	<b>G-MRCO-011</b>
<b>KMZ20 S</b>	full bridge	E-Line	NO	<b>G-MRCO-007</b>
<b>KMZ20 M</b>	full bridge	E-Line	YES	<b>G-MRCO-003</b>
<b>KMY22</b>	full bridge	UTDFN8	NO	<i>on request</i>

**ORDERING INFORMATION****NORTH AMERICA**

Measurement Specialties, Inc.,  
a TE Connectivity Company  
Phone: +1-800-522-6752  
Email: [customercare.hmpt@te.com](mailto:customercare.hmpt@te.com)

**EUROPE**

MEAS Deutschland GmbH (Europe)  
a TE Connectivity Company  
Phone: +49-800-440-5100  
Email: [customercare.dtm@te.com](mailto:customercare.dtm@te.com)

**ASIA**

Measurement Specialties (China), Ltd.,  
a TE Connectivity Company  
Phone: +86-400-820-6015  
Email: [customercare.shzn@te.com](mailto:customercare.shzn@te.com)

**TE.com/sensorsolutions**

Measurement Specialties, Inc., a TE Connectivity company.

Measurement Specialties, TE Connectivity, TE Connectivity (logo) and EVERY CONNECTION COUNTS are trademarks. All other logos, products and/or company names referred to herein might be trademarks of their respective owners.

The information given herein, including drawings, illustrations and schematics which are intended for illustration purposes only, is believed to be reliable. However, TE Connectivity makes no warranties as to its accuracy or completeness and disclaims any liability in connection with its use. TE Connectivity's obligations shall only be as set forth in TE Connectivity's Standard Terms and Conditions of Sale for this product and in no case will TE Connectivity be liable for any incidental, indirect or consequential damages arising out of the sale, resale, use or misuse of the product. Users of TE Connectivity products should make their own evaluation to determine the suitability of each such product for the specific application.

© 2015 TE Connectivity Ltd. family of companies All Rights Reserved.

## Данный компонент на территории Российской Федерации

### Вы можете приобрести в компании MosChip.

Для оперативного оформления запроса Вам необходимо перейти по данной ссылке:

<http://moschip.ru/get-element>

Вы можете разместить у нас заказ для любого Вашего проекта, будь то серийное производство или разработка единичного прибора.

В нашем ассортименте представлены ведущие мировые производители активных и пассивных электронных компонентов.

Нашей специализацией является поставка электронной компонентной базы двойного назначения, продукции таких производителей как XILINX, Intel (ex.ALTERA), Vicor, Microchip, Texas Instruments, Analog Devices, Mini-Circuits, Amphenol, Glenair.

Сотрудничество с глобальными дистрибьюторами электронных компонентов, предоставляет возможность заказывать и получать с международных складов практически любой перечень компонентов в оптимальные для Вас сроки.

На всех этапах разработки и производства наши партнеры могут получить квалифицированную поддержку опытных инженеров.

Система менеджмента качества компании отвечает требованиям в соответствии с ГОСТ Р ИСО 9001, ГОСТ РВ 0015-002 и ЭС РД 009

### Офис по работе с юридическими лицами:

105318, г.Москва, ул.Щербаковская д.3, офис 1107, 1118, ДЦ «Щербаковский»

Телефон: +7 495 668-12-70 (многоканальный)

Факс: +7 495 668-12-70 (доб.304)

E-mail: [info@moschip.ru](mailto:info@moschip.ru)

Skype отдела продаж:

moschip.ru

moschip.ru\_4

moschip.ru\_6

moschip.ru\_9