

MPXx6250A, 20 to 250 kPa, Absolute, Integrated Pressure Sensor

Freescale's MPXx6250A series sensor integrates on-chip, bipolar op-amp circuitry and thin film resistor networks to provide a high output signal and temperature compensation. The small form factor and high reliability of on-chip integration make the Freescale MAP sensor a logical and economical choice for automotive system designers.

The MPXx6250A series piezoresistive transducer is a state-of-the-art, monolithic, signal conditioned, silicon pressure sensor. This sensor combines advanced micromachining techniques, thin film metallization, and bipolar semiconductor processing to provide an accurate, high level analog output signal that is proportional to applied pressure.

Features

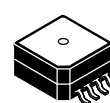
- Improved accuracy at high temperature
- Available in super small outline package
- 1.5% maximum error over 0 °C to 85 °C
- Ideally suited for microprocessor or microcontroller-based systems
- Temperature compensated from -40 °C to +125 °C
- Durable thermoplastic (PPS) surface mount package
- Package porting and mounting options enable tube attachment for liquefied petroleum gas (LPG) or remote sensing applications

Typical applications

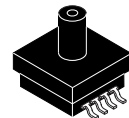
- Fuel injected car engines
- Autogas vehicles powered by green gases (for example, LPG and CNG)
- Small engines
- Industrial controls

MPXx6250A

Super small outline package

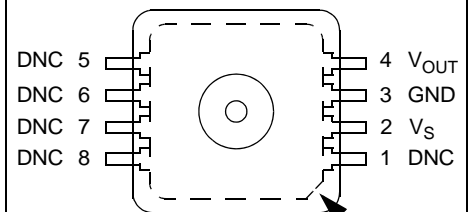


MPXx6250A6U/6T1
Case 98ARH99066A



MPXx6250AC6T1
Case 98ARH99089A

Top view



Pin 1 identification, chamfered corner.

Pinout

Ordering information									
Part number	Shipping	Package	# of Ports			Pressure type			Device marking
			None	Single	Dual	Gauge	Differential	Absolute	
Super small outline package (MPXH6250 series)									
MPXH6250A6U	Rail	98ARH99066A	•					•	MPXH6250A
MPXH6250A6T1	Tape and Reel	98ARH99066A	•					•	MPXH6250A
MPXH6250AC6U	Rail	98ARH99089A		•				•	MPXH6250A
MPXH6250AC6T1	Tape and Reel	98ARH99089A		•				•	MPXH6250A
Super small outline package (media resistant gel) (MPXHZ6250A series)									
MPXHZ6250A6U	Rail	98ARH99066A	•					•	MPXHZ6250A
MPXHZ6250A6T1	Tape and Reel	98ARH99066A	•					•	MPXHZ6250A
MPXHZ6250AC6T1	Tape and Reel	98ARH99089A		•				•	MPXHZ6250A

Freescale reserves the right to change the detail specifications as may be required to permit improvements in the design of its products.



Contents

1	General Description	3
1.1	Block diagram	3
1.2	Pinout	3
2	Mechanical and Electrical Specifications	4
2.1	Maximum ratings	4
2.2	Operating characteristics	4
3	On-chip Temperature Compensation and Calibration	5
4	Package Information	7
4.1	Minimum recommended footprint for surface mounted applications	7
4.2	Package Dimensions	8
5	Revision History	13

Related Documentation

The MPXx6250A device features and operations are described in a variety of reference manuals, user guides, and application notes. To find the most-current versions of these documents:

1. Go to the Freescale homepage at:
<http://www.freescale.com/>
2. In the Keyword search box at the top of the page, enter the device number MPXx6250A.
3. In the Refine Your Result pane on the left, click on the Documentation link.

MPXH6250A

1 General Description

1.1 Block diagram

Figure 1 shows a block diagram of the internal circuitry integrated on a pressure sensor chip.

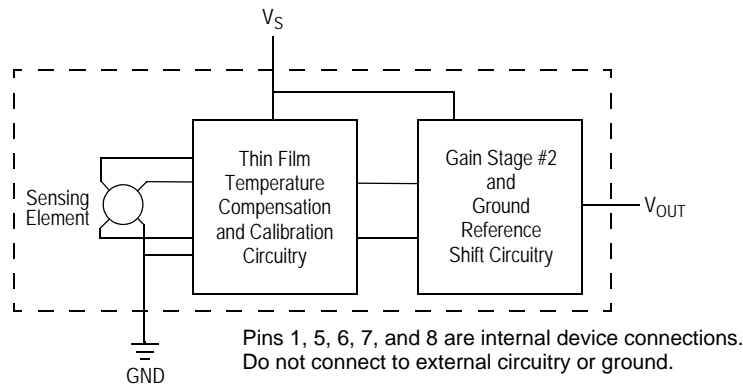


Figure 1. Integrated pressure sensor block diagram

1.2 Pinout

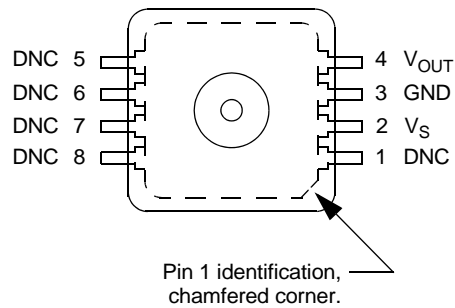


Figure 2. Device pinout (top view)

Table 1. Pin functions

Pin	Name	Function
1	DNC	Do not connect to external circuitry or ground. Pin 1 is notated by chamfered corner.
2	V_S	Voltage supply
3	GND	Ground
4	V_{OUT}	Output voltage
5	DNC	Do not connect to external circuitry or ground.
6	DNC	Do not connect to external circuitry or ground.
7	DNC	Do not connect to external circuitry or ground.
8	DNC	Do not connect to external circuitry or ground.

2 Mechanical and Electrical Specifications

2.1 Maximum ratings

Table 2. Maximum ratings⁽¹⁾

Rating	Symbol	Value	Unit
Maximum pressure (P1 > P2)	P _{MAX}	1000	kPa
Storage temperature	T _{STG}	-40 to +125	°C
Operating temperature	T _A	-40 to +125	°C
Output source current @ full-scale output ⁽²⁾	I _{o+}	0.5	mAdc
Output sink current @ minimum pressure offset ⁽²⁾	I _{o-}	-0.5	mAdc

1. Exposure beyond the specified limits may cause permanent damage or degradation to the device.

2. Maximum output current is controlled by effective impedance from V_{OUT} to GND or V_{OUT} to V_S in the application circuit.

2.2 Operating characteristics

Table 3. Operating Characteristics (V_S = 5.1 V_{DC}, T_A = 25 °C unless otherwise noted, P1 > P2.)

Characteristic	Symbol	Min	Typ	Max	Unit
Pressure range	P _{OP}	20	—	250	kPa
Supply voltage ⁽¹⁾	V _S	4.74	5.1	5.46	V _{DC}
Supply current	I _O	—	6.0	10	mAdc
Minimum pressure offset (0 to 85 °C) @ V _S = 5.1 Volts ⁽²⁾	V _{OFF}	0.133	0.204	0.274	V _{DC}
Full-scale output (0 to 85 °C) @ V _S = 5.1 Volts ⁽³⁾	V _{FSSO}	4.826	4.896	4.966	V _{DC}
Full-scale span (0 to 85 °C) @ V _S = 5.1 Volts ⁽⁴⁾	V _{FSS}	4.552	4.692	4.833	V _{DC}
Accuracy ⁽⁵⁾ (0 to 85 °C)	—	—	—	±1.5	%V _{FSS}
Sensitivity	V/P	—	20.4	—	mV/kPa
Response time ⁽⁶⁾	t _R	—	1.0	—	ms
Warm-up time ⁽⁷⁾	—	—	20	—	ms
Offset stability ⁽⁸⁾	—	—	±0.25	—	%V _{FSS}

1. Device is ratiometric within this specified excitation range.

2. Offset (V_{OFF}) is defined as the output voltage at the minimum rated pressure.

3. Full-scale output (V_{FSSO}) is defined as the output voltage at the maximum or full rated pressure.

4. Full-scale span (V_{FSS}) is defined as the algebraic difference between the output voltage at full rated pressure and the output voltage at the minimum rated pressure.

5. Accuracy is the deviation in actual output from nominal output over the entire pressure range and temperature range as a percent of span at 25 °C due to all sources of error including the following:

Linearity: Output deviation from a straight line relationship with pressure over the specified pressure range.

Temperature hysteresis: Output deviation at any temperature within the operating temperature range, after the temperature is cycled to and from the minimum or maximum operating temperature points, with zero differential pressure applied.

Pressure hysteresis: Output deviation at any pressure within the specified range, when this pressure is cycled to and from the minimum or maximum rated pressure, at 25 °C.

TcSpan: Output deviation over the temperature range of 0 to 85 °C, relative to 25 °C.

TcOffset: Output deviation with minimum pressure applied, over the temperature range of 0 to 85 °C, relative to 25 °C.

Variation from nominal: The variation from nominal values, for offset or full-scale span, as a percent of V_{FSS}, at 25 °C.

6. Response time is defined as the time for the incremental change in the output to go from 10% to 90% of its final value when subjected to a specified step change in pressure.

7. Warm-up time is defined as the time required for the product to meet the specified output voltage after the pressure has been stabilized.

8. Offset stability is the product's output deviation when subjected to 1000 hours of pulsed pressure, temperature cycling with bias test.

3 On-chip Temperature Compensation and Calibration

Figure 3 illustrates the absolute sensing chip in the basic super small outline chip carrier (case 98ARH99066A).

Figure 4 shows a typical application circuit (output source current operation).

Figure 5 shows the sensor output signal relative to pressure input. Typical minimum and maximum output curves are shown for operation over 0 to 85 °C temperature range. The output will saturate outside of the rated pressure range.

A fluorosilicone gel isolates the die surface and wire bonds from the environment, while allowing the pressure signal to be transmitted to the silicon diaphragm. The MPXx6250A pressure sensor operating characteristics, internal reliability and qualification tests are based on use of dry air as the pressure media. Media other than dry air may have adverse effects on sensor performance and long-term reliability. Contact the factory for information regarding media compatibility in your application.

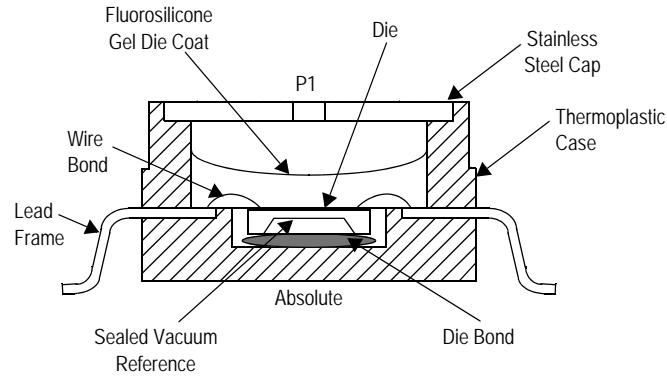


Figure 3. Cross-sectional diagram (not-to-scale)

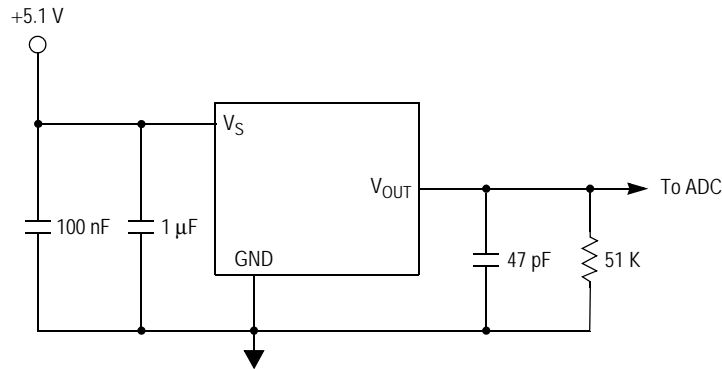


Figure 4. Recommended power supply decoupling and output filtering

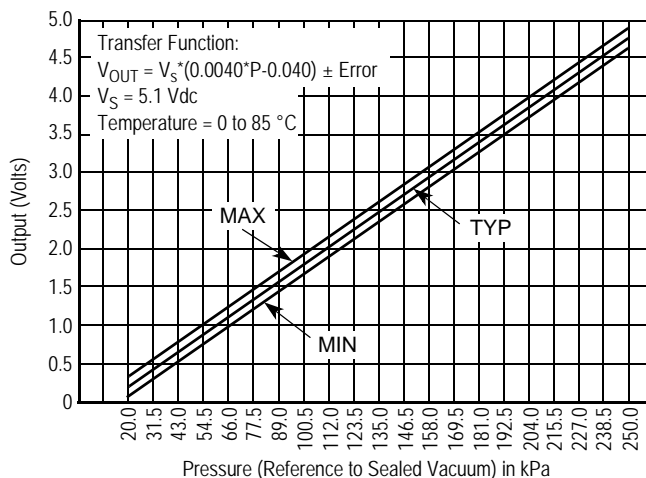
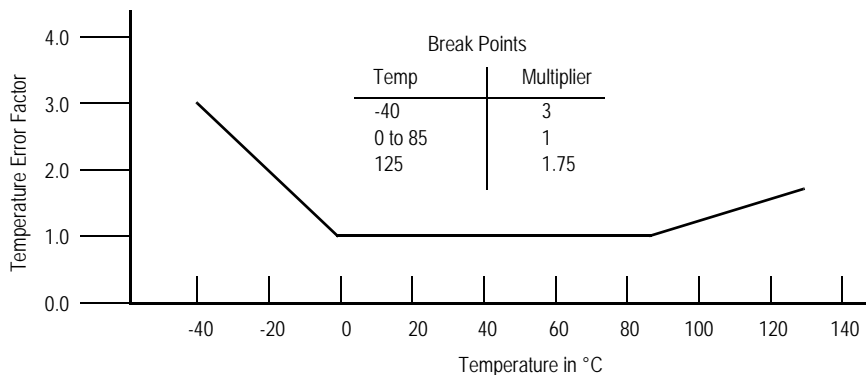


Figure 5. Output vs. absolute pressure

Nominal Transfer Value: $V_{OUT} = V_S \times (0.004 \times P - 0.040)$
 $\pm (\text{Pressure Error} \times \text{Temp Factor} \times 0.004 \times V_S)$
 $V_S = 5.1 \pm 0.36 \text{ Vdc}$

Figure 6. Transfer function



NOTE: The temperature multiplier is a linear response from 0 °C to -40 °C and from 85 °C to 125 °C

Figure 7. Temperature error band

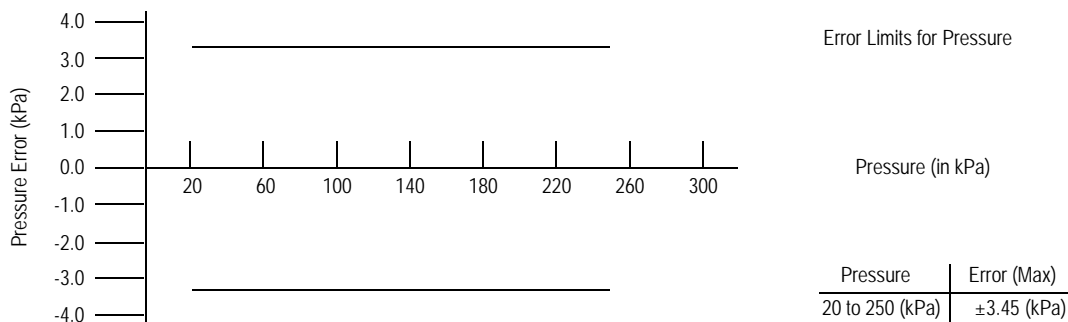


Figure 8. Pressure error band

4 Package Information

4.1 Minimum recommended footprint for surface mounted applications

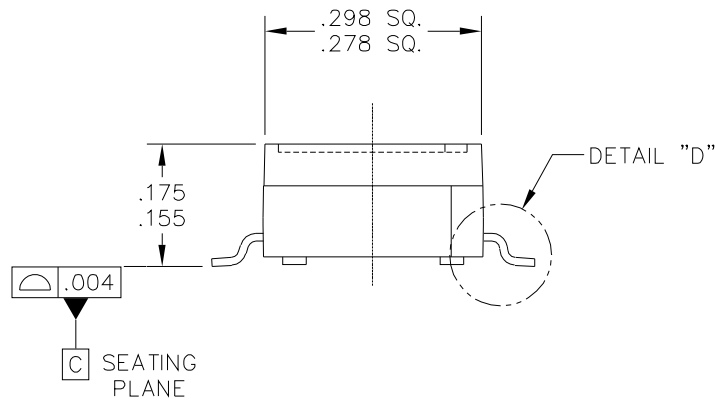
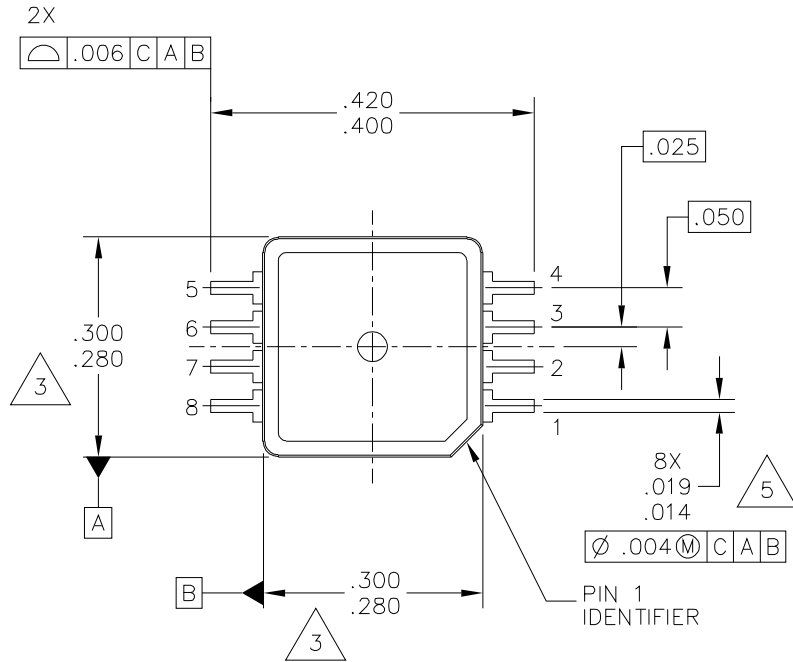
Surface mount board layout is a critical portion of the total design. The footprint for the semiconductor package must be the correct size to ensure proper solder connection interface between the board and the package. With the correct pad geometry, the packages will self-align when subjected to a solder reflow process. It is always recommended to fabricate boards with a solder mask layer to avoid bridging and/or shorting between solder pads, especially on tight tolerances and/or tight layouts.



Figure 9. SSOP footprint

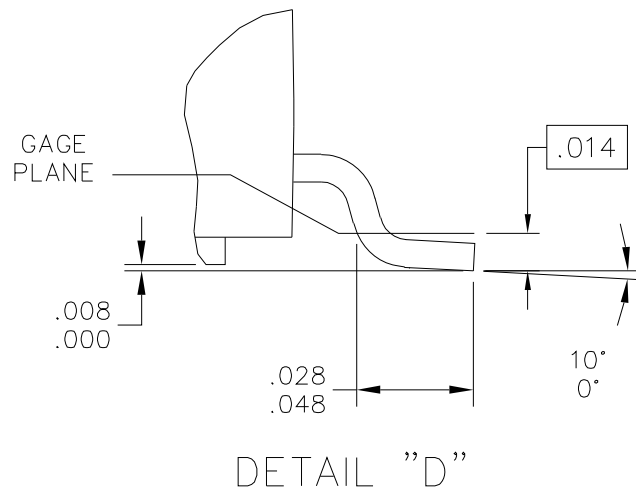
4.2 Package Dimensions

This drawing is located at http://cache.freescale.com/files/shared/doc/package_info/98ARH99066A.pdf.



© FREESCALE SEMICONDUCTOR, INC. ALL RIGHTS RESERVED.		MECHANICAL OUTLINE		PRINT VERSION NOT TO SCALE	
TITLE: 8 LEAD SSOP		DOCUMENT NO: 98ARH99066A		REV: H	
		CASE NUMBER: 1317-04		13 APR 2012	
		STANDARD: NON-JEDEC			

Case 98ARH99066A, small outline package, surface mount



© FREESCALE SEMICONDUCTOR, INC. ALL RIGHTS RESERVED.		MECHANICAL OUTLINE		PRINT VERSION NOT TO SCALE		
TITLE:	8 LEAD SSOP			DOCUMENT NO: 98ARH99066A	REV: H	
				CASE NUMBER: 1317-04	13 APR 2012	
				STANDARD: NON-JEDEC		

Case 98ARH99066A, small outline package, surface mount

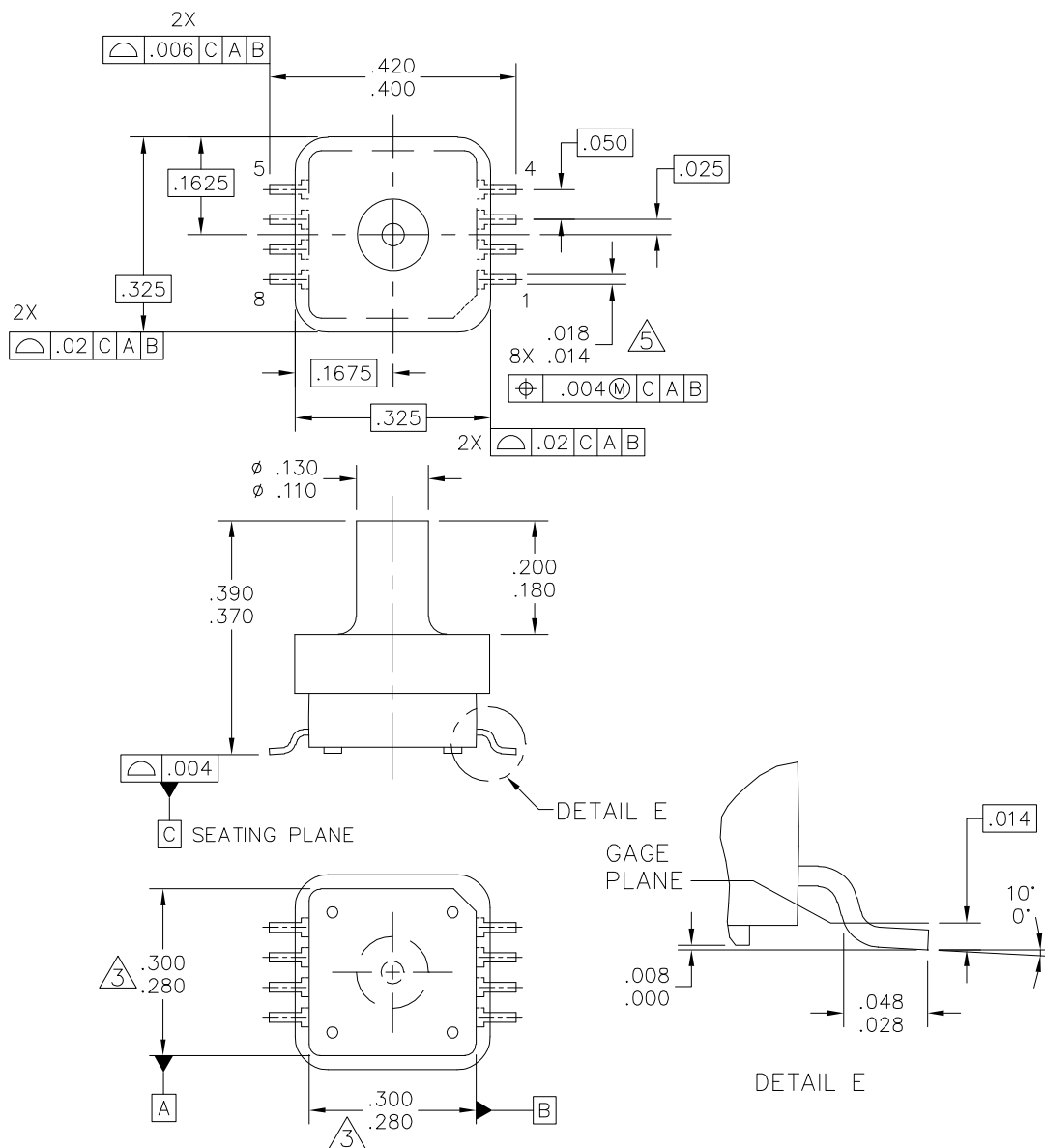


NOTES:

1. ALL DIMENSIONS IN INCHES.
2. DIMENSIONING AND TOLERANCING PER ASME Y14.5M-1994.
3. DIMENSIONS DO NOT INCLUDE MOLD FLASH OR PROTRUSIONS.
MOLD FLASH OR PROTRUSION SHALL NOT EXCEED .006 INCHES PER SIDE.
4. ALL VERTICAL SURFACES TO BE 5° MAXIMUM.
5. DIMENSION DOES NOT INCLUDE DAMBAR PROTRUSION.
ALLOWABLE DAMBAR PROTRUSION SHALL BE .008 INCHES MAXIMUM.

© FREESCALE SEMICONDUCTOR, INC. ALL RIGHTS RESERVED.	MECHANICAL OUTLINE	PRINT VERSION NOT TO SCALE	
TITLE: 8 LEAD SSOP	DOCUMENT NO: 98ARH99066A	REV: H	
	CASE NUMBER: 1317-04	13 APR 2012	
	STANDARD: NON-JEDEC		

Case 98ARH99066A, small outline package, surface mount



© FREESCALE SEMICONDUCTOR, INC. ALL RIGHTS RESERVED.	MECHANICAL OUTLINE	PRINT VERSION NOT TO SCALE
TITLE: 8 LD, PORTED SSOP		DOCUMENT NO: 98ARH99089A REV: G
		STANDARD: NON-JEDEC
		09 NOV 2012

Case 98ARH99089A, small outline package, surface mount



NOTES:

- 1. ALL DIMENSIONS IN INCHES.
- 2. DIMENSIONING AND TOLERANCING PER ASME Y14.5M-1994.
- 3. DIMENSIONS DO NOT INCLUDE MOLD FLASH OR PROTRUSIONS.
MOLD FLASH OR PROTRUSION SHALL NOT EXCEED .006 INCHES PER SIDE.
- 4. ALL VERTICAL SURFACES TO BE 5° MAXIMUM.
- 5. DIMENSION DOES NOT INCLUDE DAMBAR PROTRUSION.
ALLOWABLE DAMBAR PROTRUSION SHALL BE .008 INCHES MAXIMUM.

© FREESCALE SEMICONDUCTOR, INC. ALL RIGHTS RESERVED.	MECHANICAL OUTLINE	PRINT VERSION NOT TO SCALE
TITLE: 8 LD, PORTED SSOP	DOCUMENT NO: 98ARH99089A	REV: G
	STANDARD: NON-JEDEC	
	09 NOV 2012	

Case 98ARH99089A, small outline package, surface mount

5 Revision History

Table 4. Revision history

Revision number	Revision date	Description
4.0	09/2015	<ul style="list-style-type: none">• Updated package outlines with current version.• Updated figure 4.• Updated format.



How to Reach Us:

Home Page:

freescale.com

Web Support:

freescale.com/support

Information in this document is provided solely to enable system and software implementers to use Freescale products. There are no express or implied copyright licenses granted hereunder to design or fabricate any integrated circuits based on the information in this document.

Freescale reserves the right to make changes without further notice to any products herein. Freescale makes no warranty, representation, or guarantee regarding the suitability of its products for any particular purpose, nor does Freescale assume any liability arising out of the application or use of any product or circuit, and specifically disclaims any and all liability, including without limitation consequential or incidental damages. "Typical" parameters that may be provided in Freescale data sheets and/or specifications can and do vary in different applications, and actual performance may vary over time. All operating parameters, including "typicals," must be validated for each customer application by customer's technical experts. Freescale does not convey any license under its patent rights nor the rights of others. Freescale sells products pursuant to standard terms and conditions of sale, which can be found at the following address: freescale.com/salestermsandconditions.

Freescale and the Freescale logo are trademarks of Freescale Semiconductor, Inc., Reg. U.S. Pat. & Tm. Off. All other product or service names are the property of their respective owners.

© 2007-2009, 2015 Freescale Semiconductor, Inc.

Данный компонент на территории Российской Федерации

Вы можете приобрести в компании MosChip.

Для оперативного оформления запроса Вам необходимо перейти по данной ссылке:

<http://moschip.ru/get-element>

Вы можете разместить у нас заказ для любого Вашего проекта, будь то серийное производство или разработка единичного прибора.

В нашем ассортименте представлены ведущие мировые производители активных и пассивных электронных компонентов.

Нашей специализацией является поставка электронной компонентной базы двойного назначения, продукции таких производителей как XILINX, Intel (ex.ALTERA), Vicor, Microchip, Texas Instruments, Analog Devices, Mini-Circuits, Amphenol, Glenair.

Сотрудничество с глобальными дистрибьюторами электронных компонентов, предоставляет возможность заказывать и получать с международных складов практически любой перечень компонентов в оптимальные для Вас сроки.

На всех этапах разработки и производства наши партнеры могут получить квалифицированную поддержку опытных инженеров.

Система менеджмента качества компании отвечает требованиям в соответствии с ГОСТ Р ИСО 9001, ГОСТ РВ 0015-002 и ЭС РД 009

Офис по работе с юридическими лицами:

105318, г.Москва, ул.Щербаковская д.3, офис 1107, 1118, ДЦ «Щербаковский»

Телефон: +7 495 668-12-70 (многоканальный)

Факс: +7 495 668-12-70 (доб.304)

E-mail: info@moschip.ru

Skype отдела продаж:

moschip.ru

moschip.ru_4

moschip.ru_6

moschip.ru_9