

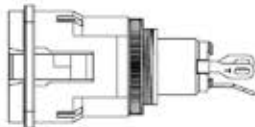
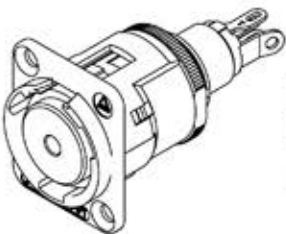
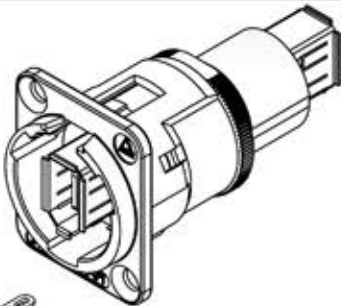
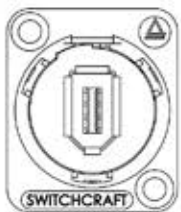


NEW PRODUCT BULLETIN 598

AUDIO, VIDEO, DATA
EH SERIES
CONNECTORS &
QG PANELS



20170116 update



Switchcraft®
Pro Audio



NEW OPTIONS

RJ45

HDMI

Toggle, Rocker and
Momentary Switches

1/4" TS and TRS Jacks

The easiest way to create
custom I/O panels and wall plates

Compatible with Switchcraft®
QGPK Series rack panels and
WP Series wall plates

All connectors fit into a standard
XLR panel cutout

Available in black or
nickel finishes

Custom combinations of
EH Series connectors can
be quickly loaded into any of
our 1RU (1x16), 1.5RU
(1x16), or 2RU (2x16)
QGPK Series panels

Available individually or bagged
with mounting screws

The EH Series is an extensive line of panel mount audio, video and data connectors used to create custom I/O panels and wall plates for A/V, pro audio, broadcast, mobile production and post production installations.



Switchcraft®
Pro Audio





XLR (3 Pin, Female, No Latch)



XLR (3 Pin, Female)



XLR (3 Pin Male)



XLR (3 Pin Gold, Male)



1/4" TS (Mono)



1/4" TRS (Stereo)



1/4" Locking TRS (Stereo)



3.5mm TRS (1/8" Stereo)



PS/2 (6 Pin DIN)



S-Video (4 Pin DIN)



BNC



BNC to RCA



RCA to BNC



RCA to RCA



RJ45 (CAT 6)



RJ45 (CAT 6) Shielded





Firewire 800



Firewire 400



USB (A to B)



USB (B to A)



9 Pin DSUB
(Female to Female)



9 Pin DSUB
(Male to Female)



15 Pin DSUB
(Female to Female)



15 Pin DSUB
(Male to Female)



Fiber Optic (LC)



Fiber Optic (SC)



Fiber Optic (ST)



Fiber Optic (TOSLINK)



Switch (Momentary Pushbutton)



Switch (Toggle)



Switch (Rectangular Rocker)



HDMI



EH CONNECTORS continued



F Type



Blank Hole Covers

WP SERIES WALL PLATES



WP Series wall plates are the perfect solution for anyone requiring custom connector configurations on standard size wall plates. Options include single and double gang with 0, 1, 2, and 4 connector holes. Plates are available in brushed stainless steel or anodized black aluminum and with standard or tapped 4-40 connector mounting holes. Tapped mounting holes allow connectors to be screwed directly into the plate without the use of a nut (front mount only).

Part Number	Gang Size	Finish	EH Connector Holes	Connector Mounting Hole
WP1S	1	Stainless Steel	0	None
WP1S1	1	Stainless Steel	1	Ø0.138
WP1S1P	1	Stainless Steel	1	#4-40 Thread
WP1B1	1	Black Aluminum	1	Ø0.138
WP1B1P	1	Black Aluminum	1	#4-40 Thread
WP1S2	1	Stainless Steel	2	Ø0.138
WP1S2P	1	Stainless Steel	2	#4-40 Thread
WP1B2	1	Black Aluminum	2	Ø0.138
WP1B2P	1	Black Aluminum	2	#4-40 Thread
WP2S4	2	Stainless Steel	4	Ø0.138
WP2S4P	2	Stainless Steel	4	#4-40 Thread
WP2B4	2	Black Aluminum	4	Ø0.138
WP2B4P	2	Black Aluminum	4	#4-40 Thread



Q-G® PANEL OPTIONS

NEW OPTION

Pre-loaded Q-G® Panels



New QGPK rack panels come pre-loaded with three configurations of the new premium Switchcraft DE-series XLR connectors. These three new panels sets provide a one-stop option for installers and sound contractors requiring fast access to all XLR panels. Panels still have tie bars to keep the back of the rack clean and dressed.

Pre-loaded Q-G® Panels	Rack Height	Connectors	Color
QGPK1DE16FB	1	16 New DE Series Female XLR Connectors	Black
QGPK1DE16MB	1	16 New DE Series Male XLR Connectors	Black
QGPK1DE8M8FB	1	8 New DE Series Male and 8 New DE Series Female XLR Connectors	Black

Hinged Q-G® Panel

NEW OPTION

The new QGPK1BF1 is a standard 16 knockout Q-G panel ready to load with needed EH connectors. However, this new model is hinged so all connections can be accessed easily from the front of the rack. Because of this configuration and being able to swing open the QGPK1BF1 does not have a tie-bar in the rear.



EMPTY Q-G® PANELS



QGPK1B440

Empty Q-G® Rack Panels	Rack Height	Number of Knockouts	Tapped 4-40 Holes
QGPK1B	1RU	1X16	NO
QGPK1B440	1RU	1X16	YES
QGPK2B	1.5RU	1X16	NO
QGPK2B440	1.5RU	1X16	YES
QGPK3B	2RU	2X16	NO
QGPK3B440	2RU	2X16	YES



EH Series	Additional Features	Finish	Termination	Part Number	Bagged with 4-40 Mounting Screws
1/4" Locking TS (Mono)		Nickel	Solder Lug	E111L	E111LPKG
		Black	Solder Lug	E111BL	E111BLPKG
1/4" Locking TRS (Stereo)		Nickel	Solder Lug	E112BL	E112LPKG
		Black	Solder Lug	E112BLB	E112BLPKG
1/4" TS (Mono)		Nickel	Solder Lug	E11	E11PKG
		Black	Solder Lug	E11B	E11BPKG
1/4" TRS (Stereo)		Nickel	Solder Lug	E12B	E12PKG
		Black	Solder Lug	E12BB	E12BPKG
9-Pin DSUB (Female to Female)		Nickel	Feedthru	EHDB9FF	EHDB9FFPKG
		Black	Feedthru	EHDB9FFB	EHDB9FFBPKG
9-Pin DSUB (Male to Male)		Nickel	Feedthru	EHDB9MM	EHDB9MMPKG
		Black	Feedthru	EHDB9MMB	EHDB9MMBPKG
9-Pin DSUB (Male to Female)		Nickel	Feedthru	EHDB9MF	EHDB9MFPKG
		Black	Feedthru	EHDB9MFB	EHDB9MFBPKG
15-Pin DSUB (Female to Female)		Nickel	Feedthru	EHHD15FF	EHHD15FFPKG
		Black	Feedthru	EHHD15FFB	EHHD15FFBPKG
15-Pin DSUB (Male to Male)		Nickel	Feedthru	EHHD15MM	EHHD15MMPKG
		Black	Feedthru	EHHD15MMB	EHHD15MMBPKG
15-Pin DSUB (Male to Female)		Nickel	Feedthru	EHHD15MF	EHHD15MFPKG
		Black	Feedthru	EHHD15MFB	EHHD15MFBPKG
3.5MM TS (1/8" Mono)		Nickel	Solder Lug	EH35MMMSC	EH35MMMSCPKG
		Black	Solder Lug	EH35MMMSCB	EH35MMMSCBPKG
3.5MM TRS (1/8" Stereo)		Nickel	Solder Lug	EH35MMSSC	EH35MMSSCPKG
		Black	Solder Lug	EH35MMSSCB	EH35MMSSCBPKG
Blank Hole Covers	1 Space	Black	N/A	ECPPKG	ECPPKG
	2 Space	Black	N/A	ECP2PKG	ECP2PKG
	4 Space	Black	N/A	ECP4PKG	ECP4PKG
	8 Space	Black	N/A	ECP8PKG	ECP8PKG
BNC		Nickel	Feedthru	EBNC2	EBNC2PKG
		Black	Feedthru	EBNC2B	EBNC2BPKG
BNC (Recessed Front) to BNC		Nickel	Feedthru	EBNC2R	EBNC2RPKG
		Black	Feedthru	EBNC2RB	EBNC2RBPKG
BNC to Solder Lug		Nickel	Solder Lug	EBNCSC	EBNCSCPKG
		Black	Solder Lug	EBNCSCB	EBNCSCBPKG
BNC to RCA		Nickel	Feedthru	EBNCRCA	EBNCRCAPKG
		Black	Feedthru	EBNCRCAB	EBNCRCABPKG



EH Series	Additional Features	Finish	Termination	Part Number	Bagged with 4-40 Mounting Screws
Empty Housing	Female-No Latch	Nickel	N/A	EFDH	EFDHPKG
	Female-Latch	Nickel	N/A	EFH	EFHPKG
	Male-No Latch	Nickel	N/A	EMH	EMHPKG
	Female-No Latch	Black	N/A	EFDHB	EFDHBPKG
	Female-Latch	Black	N/A	EFHB	EFHBPKG
	Male-No Latch	Black	N/A	EMHB	EMHBPKG
F Type		Nickel	Feedthru	EHFF2	EHFF2PKG
		Black	Feedthru	EHFF2B	EHFF2BPKG
Fiber Optic (LC)	Singlemode	Black	Feedthru	EHLC2	EHLC2PKG
	Multimode	Black	Feedthru	EHLC2M	EHLC2MPKG
Fiber Optic (SC)	Singlemode	Black	Feedthru	EHSC2	EHSC2PKG
	Multimode	Black	Feedthru	EHSC2M	EHSC2MPKG
Fiber Optic (ST)	Singlemode	Nickel	Feedthru	EHST2	EHST2PKG
	Singlemode	Black	Feedthru	EHST2B	EHST2BPKG
	Multimode	Nickel	Feedthru	EHST2M	EHST2MPKG
	Multimode	Black	Feedthru	EHST2MB	EHST2MBPKG
Fiber Optic (TOSLINK)		Black	Feedthru	EHTL2	EHTL2PKG
Firewire 400		Nickel	Feedthru	EHWX2	EHWX2PKG
		Black	Feedthru	EHWX2B	EHWX2BPKG
Firewire 800		Nickel	Feedthru	EHW800X2	EHW800X2PKG
		Black	Feedthru	EHW800X2B	EHW800X2BPKG
HDMI		Nickel	Feedthru	EHHDMI2	EHHDMI2PKG
		Black	Feedthru	EHHDMI2B	EHHDMI2BPKG
PS/2 (6-Pin DIN)		Nickel	Feedthru	EH6MD2	EH6MD2PKG
		Black	Feedthru	EH6MD2B	EH6MD2BPKG
RCA to RCA		Nickel	Feedthru	EHRCA2	EHRCA2PKG
		Black	Feedthru	EHRCA2B	EHRCA2BPKG
RCA to BNC		Nickel	Feedthru	EHCABNC	EHCABNCPKG
		Black	Feedthru	EHCABNCB	EHCABNCBPKG
RCA Empty Housing for BP JJ Series Colored RCA Inserts		Nickel	N/A	EH1PKG	EH1PKG
		Black	N/A	EHB1PKG	EHB1PKG
RJ45 (CAT 5e)	Standard	Black	Feedthru	EHRJ45P5E	EHRJ45P5EPKG
	Shielded	Black	Feedthru	EHRJ45P5ES	EHRJ45P5ESPKG
RJ45 (CAT 6)	Standard	Black	Feedthru	EHRJ45P6	EHRJ45P6PKG
	Shielded	Black	Feedthru	EHRJ45P6S	EHRJ45P6SPKG
S-Video (4-Pin DIN)		Nickel	Feedthru	EHSVHS2	EHSVHS2PKG
		Black	Feedthru	EHSVHS2B	EHSVHS2BPKG



EH Series	Additional Features	Finish	Termination	Part Number	Bagged with 4-40 Mounting Screws
Switch (Momentary Pushbutton)	SPDT-Black Button	Nickel	Solder Lug	EHPBSMB	EHPBSMBPKG
	SPDT-Black Button	Black	Solder Lug	EHPNSMBB	EHPNSMBBPKG
	SPDT-Red Button	Nickel	Solder Lug	EHPBSMR	EHPBSMRPKG
	SPDT-Red Button	Black	Solder Lug	EHPBSMRB	EHPBSMRBPKG
Switch (Rectangular Rocker)	DPDT	Nickel	Solder Lug	EHRRSL	EHRRSLPKG
	DPDT	Black	Solder Lug	EHRRSLB	EHRRSLBPKG
Switch (Toggle)	DPDT	Nickel	Solder Lug	EHTSL	EHTSLPKG
	DPDT	Black	Solder Lug	EHTSLB	EHTSLBPKG
USB (A to B)		Nickel	Feedthru	EHUSBAB	EHUSBABPKG
		Black	Feedthru	EHUSBABB	EHUSBABBPKG
USB (B to A)		Nickel	Feedthru	EHUSBBA	EHUSBBAPKG
		Black	Feedthru	EHUSBBAB	EHUSBBABPKG
XLR (3-Pin Male)	Silver Pins	Nickel	Solder Lug	E3MSC	E3MSCPKG
	Gold Pins	Nickel	Solder Lug	E3MSCAU	E3MSCAUPKG
	Silver Pins	Black	Solder Lug	E3MSCB	E3MSCBPKG
	Gold Pins	Black	Solder Lug	E3MSCBAU	E3MSCBAUPKG
XLR (3-Pin Female)	Silver Pins	Nickel	Solder Lug	E3FSC	E3FSCPKG
	Gold Pins	Nickel	Solder Lug	E3FSCAU	E3FSCAUPKG
	Silver Pins	Black	Solder Lug	E3FSCB	E3FSCBPKG
	Gold Pins	Black	Solder Lug	E3FSCBAU	E3FSCBAUPKG
XLR (3-Pin Female-No Latch)	Silver Pins	Nickel	Solder Lug	E3FDSC	E3FDSCPKG
	Gold Pins	Nickel	Solder Lug	E3FDSCAU	E3FDSCAUPKG
	Silver Pins	Black	Solder Lug	E3FDSCB	E3FDSCBPKG
	Gold Pins	Black	Solder Lug	E3FDSCBAU	E3FDSCBAUPKG
XLR (3-Pin Male-Screw Terminals)	Silver Pins	Nickel	Screw Terminals	E3MSW	E3MSWPKG
	Gold Pins	Nickel	Screw Terminals	E3MAUSW	E3MAUSWPKG
	Silver Pins	Black	Screw Terminals	E3MBSW	E3MBSWPKG
	Gold Pins	Black	Screw Terminals	E3MBAUSW	E3MBAUSWPKG
XLR (3-Pin Female-Screw Terminals)	Silver Pins	Nickel	Screw Terminals	E3FSW	E3FSWPKG
	Gold Pins	Nickel	Screw Terminals	E3FAUSW	E3FAUSWPKG
	Silver Pins	Black	Screw Terminals	E3FBSW	E3FBSWPKG
	Gold Pins	Black	Screw Terminals	E3FBAUSW	E3FBAUSWPKG

XLR available in between 3-5 contacts. Consult factory for more information.



Данный компонент на территории Российской Федерации

Вы можете приобрести в компании MosChip.

Для оперативного оформления запроса Вам необходимо перейти по данной ссылке:

<http://moschip.ru/get-element>

Вы можете разместить у нас заказ для любого Вашего проекта, будь то серийное производство или разработка единичного прибора.

В нашем ассортименте представлены ведущие мировые производители активных и пассивных электронных компонентов.

Нашей специализацией является поставка электронной компонентной базы двойного назначения, продукции таких производителей как XILINX, Intel (ex.ALTERA), Vicor, Microchip, Texas Instruments, Analog Devices, Mini-Circuits, Amphenol, Glenair.

Сотрудничество с глобальными дистрибьюторами электронных компонентов, предоставляет возможность заказывать и получать с международных складов практически любой перечень компонентов в оптимальные для Вас сроки.

На всех этапах разработки и производства наши партнеры могут получить квалифицированную поддержку опытных инженеров.

Система менеджмента качества компании отвечает требованиям в соответствии с ГОСТ Р ИСО 9001, ГОСТ РВ 0015-002 и ЭС РД 009

Офис по работе с юридическими лицами:

105318, г.Москва, ул.Щербаковская д.3, офис 1107, 1118, ДЦ «Щербаковский»

Телефон: +7 495 668-12-70 (многоканальный)

Факс: +7 495 668-12-70 (доб.304)

E-mail: info@moschip.ru

Skype отдела продаж:

moschip.ru

moschip.ru_4

moschip.ru_6

moschip.ru_9