

## CATV Return Path Differential Amplifier 5 - 300 MHz

Rev. V1

### Features

- 21.2 dB Gain
- 5.0 V Bias
- 3.1 dB Noise Figure
- External Bias Current Control
- Low Distortion
- Wide Bandwidth for DOCSIS 3.1
- Lead-Free 3 mm 16-Lead PQFN Package
- RoHS\* Compliant and 260°C Reflow Compatible

### Description

The MAAM-011185 is a balanced GaAs MMIC amplifier assembled in a lead-free 3 mm 16-lead PQFN plastic package.

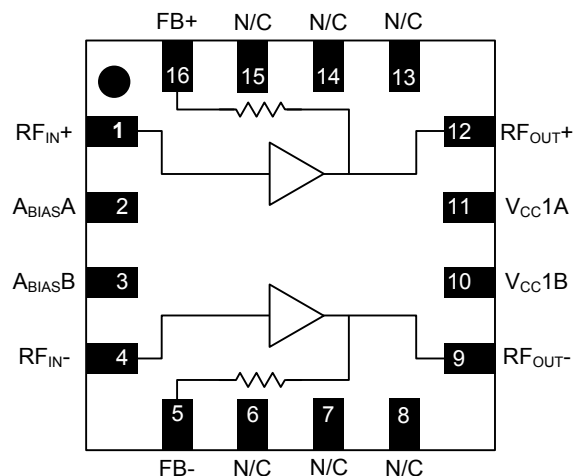
The amplifier is ideally suited for use in CATV return path applications, including DOCSIS 3.1 systems: it offers low distortion and low noise figure with high gain. It typically provides 3.1 dB noise figure, 21.2 dB gain, and 30 dB MER up to 57 dBmV per channel for 16-Channel 64 QAM signaling while drawing 290 mA DC current @ 5 V bias.

### Ordering Information<sup>1,2</sup>

Part Number	Package
MAAM-011185-TR1000	1000 piece reel
MAAM-011185-TR3000	3000 piece reel
MAAM-011185-001SMB	Sample Board

1. Reference Application Note M513 for reel size information.
2. All sample boards include 5 loose parts.

### Functional Schematic



### Pin Configuration<sup>3</sup>

Pin No.	Pin Name	Description
1	RF <sub>IN+</sub>	RF Input +
2	A <sub>BIAS</sub> A	Active Bias A
3	A <sub>BIAS</sub> B	Active Bias B
4	RF <sub>IN-</sub>	RF Input -
5	FB-	Feedback -
6	N/C	No Connection
7	N/C	No Connection
8	N/C	No Connection
9	RF <sub>OUT-</sub>	RF Output (DC Bias) -
10	V <sub>CC</sub> 1B	V <sub>CC</sub> Bias 1B
11	V <sub>CC</sub> 1A	V <sub>CC</sub> Bias 1A
12	RF <sub>OUT+</sub>	RF Output (DC Bias) +
13	N/C	No Connection
14	N/C	No Connection
15	N/C	No Connection
16	FB+	Feedback +
17	Pad <sup>4</sup>	RF and DC Ground

3. All pins listed as 'No Connection' should be grounded.
4. The exposed pad centered on the package bottom must be connected to RF and DC ground.

\* Restrictions on Hazardous Substances, European Union Directive 2011/65/EU.

## CATV Return Path Differential Amplifier 5 - 300 MHz

Rev. V1

**Electrical Specifications<sup>5</sup>:  $T_A = +25^\circ\text{C}$ ,  $V_{CC} = 5\text{ V}$ ,  $I_{CC} = 290\text{ mA}$ ,  $Z_0 = 75\ \Omega$**

Parameter	Test Conditions	Units	Min.	Typ.	Max.
Gain	$P_{IN} = -10\text{ dBm}$ , 100 MHz $P_{IN} = -10\text{ dBm}$ , 205 MHz $P_{IN} = -10\text{ dBm}$ , 250 MHz	dB	20.5 20.5 —	21.5 21.2 21.0	22.5 22.5 —
Input Return Loss	5 - 300 MHz	dB	—	21	—
Output Return Loss	5 - 300 MHz	dB	—	21	—
Reverse Isolation	5 - 300 MHz	dB	—	25	—
Noise Figure	5 - 205 MHz 205 - 300 MHz	dB	—	3.1 3.3	—
P1dB	$I_{CC} = 290\text{ mA}$ , 5 - 300 MHz $I_{CC} = 320\text{ mA}$ , 5 - 300 MHz	dBm	—	27.0 27.3	—
OIP3	12 dBm $P_{OUT}$ per tone, 6 MHz spacing, $I_{CC} = 290\text{ mA}$ , 5 - 300 MHz $I_{CC} = 320\text{ mA}$ , 5 - 300 MHz	dBm	—	43 45	—
OIP2	12 dBm $P_{OUT}$ per tone, 6 MHz spacing, $I_{CC} = 290\text{ mA}$ , 5 - 205 MHz $I_{CC} = 320\text{ mA}$ , 5 - 205 MHz $I_{CC} = 290\text{ mA}$ , 205 - 300 MHz $I_{CC} = 320\text{ mA}$ , 205 - 300 MHz	dBm	—	80 82 76 78	—
$P_{OUT}$ @ 30 dB MER <sup>5</sup>	16 Channels, $I_{CC} = 290\text{ mA}$ , 5 - 205 MHz $I_{CC} = 320\text{ mA}$ , 5 - 205 MHz	dBmV/ Channel	55.5 —	57.0 58.0	—
$I_{CC}$ <sup>6</sup>	$R2 = 1.33\text{ k}\Omega$	mA	—	290	320

5. Modulation Error Ratio, 64 QAM 5.12 MS/s. See 'Typical Performance Curves' on page 5 of this datasheet for an example MER vs. output power relationship.

6. Data corresponds to the typical application circuit and component values shown on page 3 of this datasheet. Parameters shown at nominal  $I_{CC} = 290\text{ mA}$  unless otherwise noted.  $I_{CC}$  is the total DC current draw from the  $V_{CC}$  supply. As shown on page 3, it is distributed to pins 9 and 12 by balun T2 and pins 10 and 11 directly. Resistor R2 determines the DC voltage of  $A_{BIAS/A/B}$  and thereby  $I_{CC}$  at approximately  $0.25\text{ mA}/\Omega$ . See page 5 for a typical  $I_{CC}$  vs. R2 relationship assuming  $V_{CC} = 5\text{ V}$ .

### Absolute Maximum Ratings<sup>7,8</sup>

Parameter	Absolute Maximum
Input Power	11 dBm
$V_{CC}$	6 V
Junction Temperature <sup>9,10</sup>	+150°C
Operating Temperature	-40°C to +85°C
Storage Temperature	-65°C to +125°C

7. Exceeding any one or a combination of these limits may cause permanent damage to this device.

8. MACOM does not recommend sustained operation near these survivability limits.

9. Operating at nominal conditions with  $T_J \leq 150^\circ\text{C}$  will ensure  $MTTF > 1 \times 10^6$  hours.

10. Junction Temperature ( $T_J$ ) =  $T_C + \Theta_{jc} * (V * I)$   
Typical thermal resistance ( $\Theta_{jc}$ ) =  $15^\circ\text{ C}/\text{W}$ .

a) For  $T_C = +25^\circ\text{C}$ ,  $T_J = 47^\circ\text{C}$  @ 5 V, 290 mA

b) For  $T_C = +85^\circ\text{C}$ ,  $T_J = 107^\circ\text{C}$  @ 5 V, 290 mA

### Handling Procedures

Please observe the following precautions to avoid damage:

### Static Sensitivity

Gallium Arsenide Integrated Circuits are sensitive to electrostatic discharge (ESD) and can be damaged by static electricity. Proper ESD control techniques should be used when handling these devices.

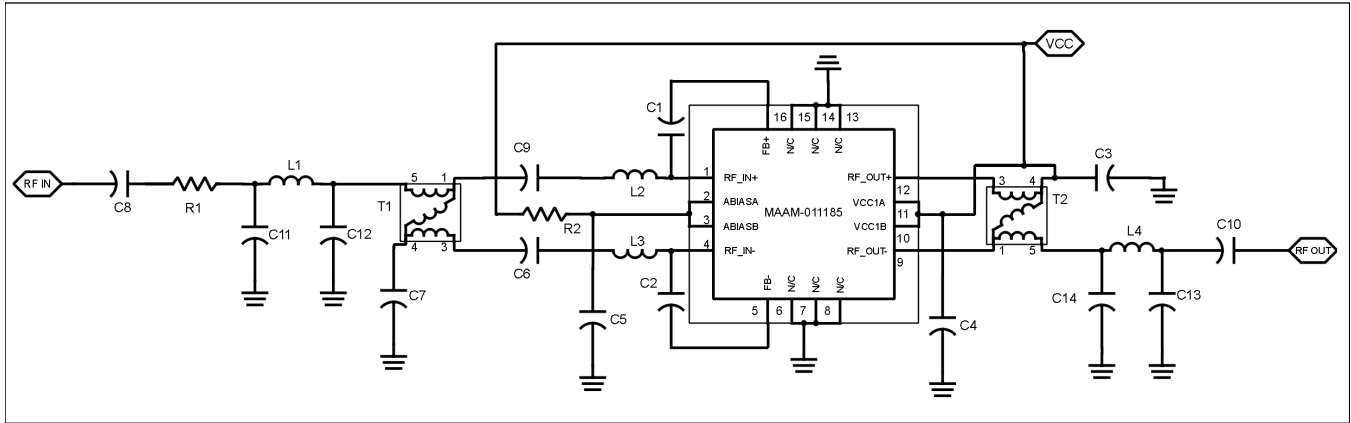
2

MACOM Technology Solutions Inc. (MACOM) and its affiliates reserve the right to make changes to the product(s) or information contained herein without notice. Visit [www.macom.com](http://www.macom.com) for additional data sheets and product information.

## CATV Return Path Differential Amplifier 5 - 300 MHz

Rev. V1

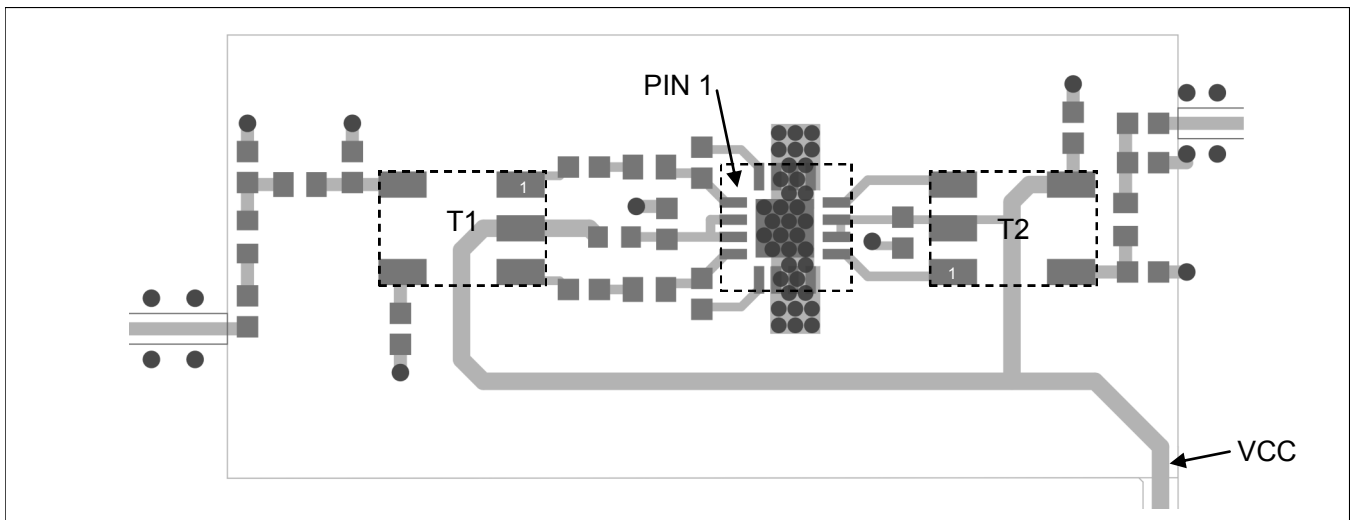
### Typical Application Circuit: Schematic



### Typical Application Circuit: Component Values

Component	Value
C1 - C9	100 nF
C10	1500 pF
C11, C13	2.0 pF
C12	2.5 pF
C14	1.0 pF
R1	2 $\Omega$
R2	1.33 k $\Omega$
L1	22 nH
L2, L3	3.3 nH
L4	6.2 nH
T1, T2	MABA-007748-CT1160 1:1 Balun (MACOM)

### Sample Board Layout



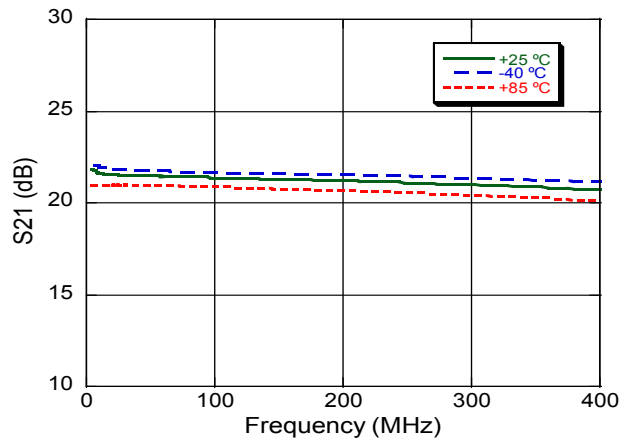
3

M/A-COM Technology Solutions Inc. (MACOM) and its affiliates reserve the right to make changes to the product(s) or information contained herein without notice. Visit [www.macom.com](http://www.macom.com) for additional data sheets and product information.

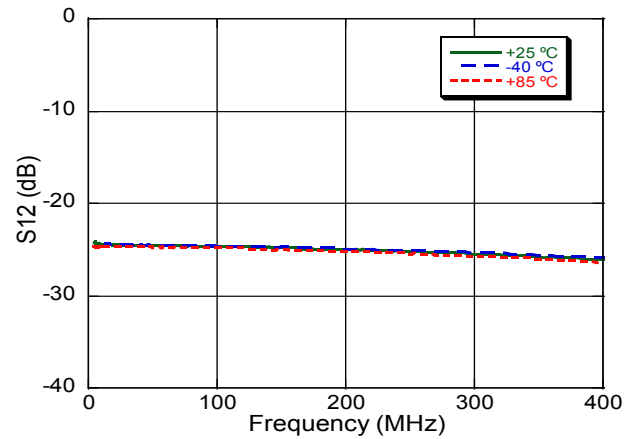
For further information and support please visit:  
<https://www.macom.com/support>

## Typical Performance Curves: Small-Signal

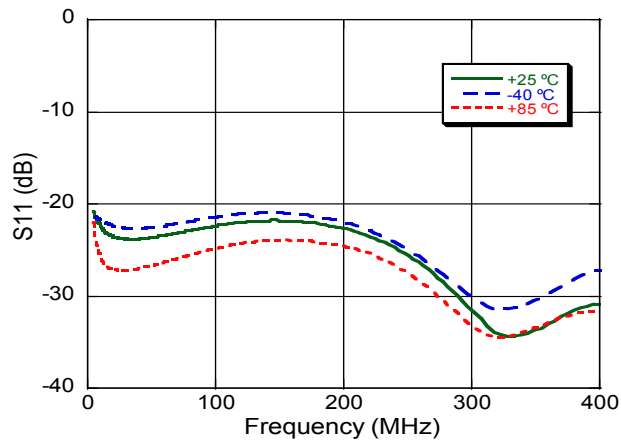
**Gain**



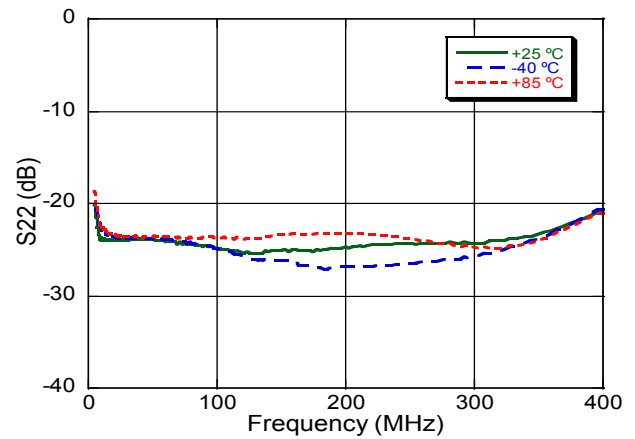
**Reverse Isolation**



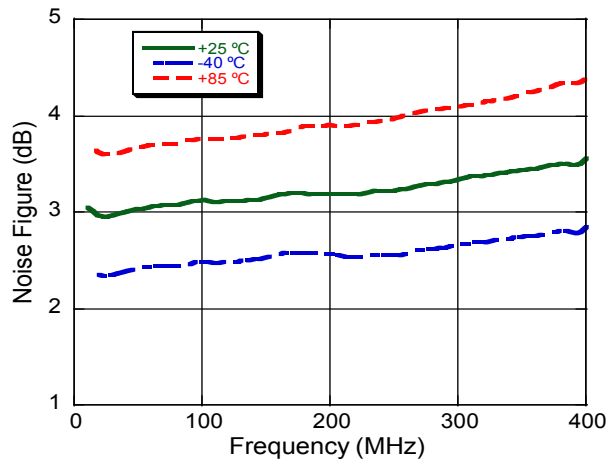
**Input Return Loss**



**Output Return Loss**



**Noise Figure**

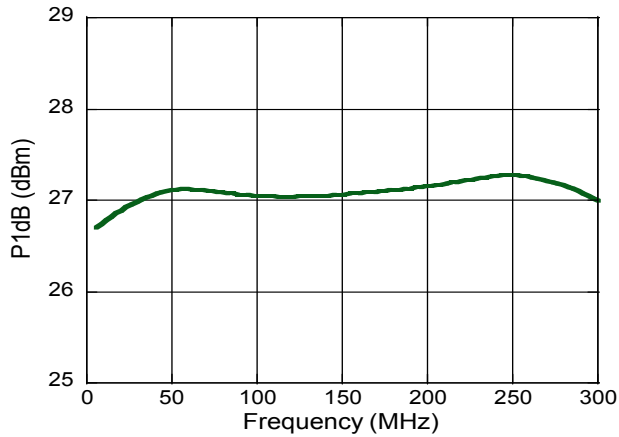


## CATV Return Path Differential Amplifier 5 - 300 MHz

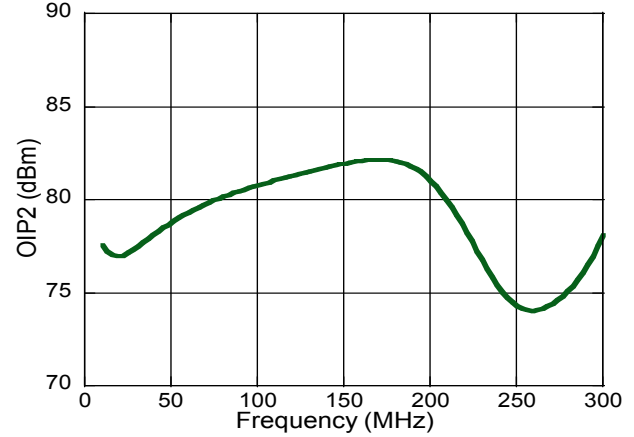
Rev. V1

### Typical Performance Curves: Large Signal

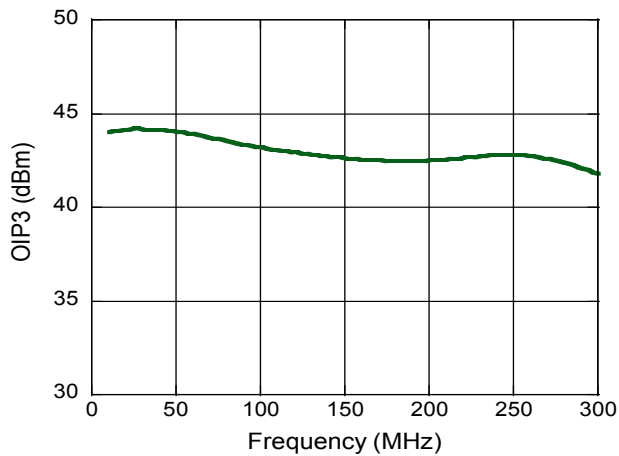
**P1dB**



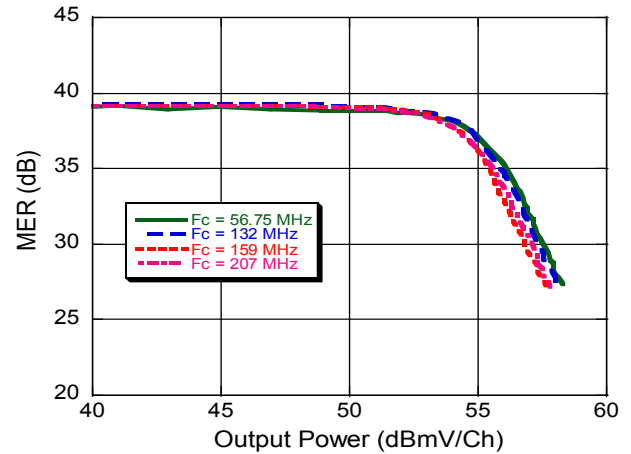
**OIP2 @ 12 dBm P<sub>OUT</sub>**



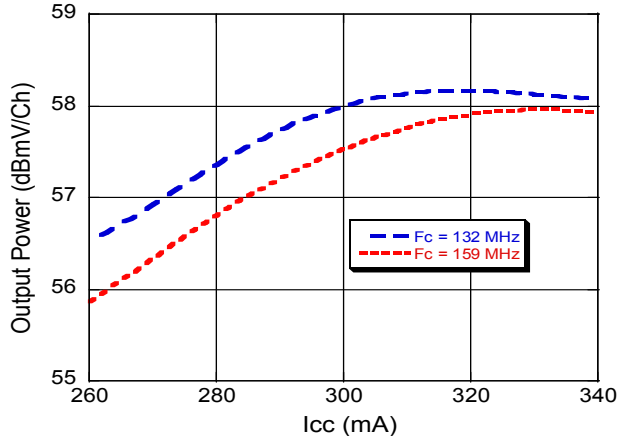
**OIP3 @ 12 dBm P<sub>OUT</sub>**



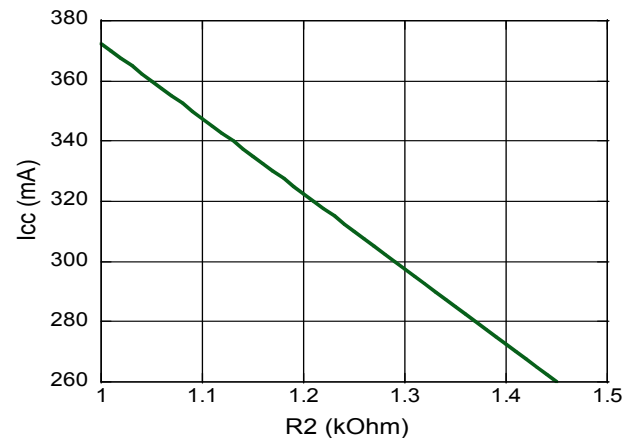
**Modulation Error Ratio (64 QAM, 16 Channel)<sup>11</sup>**



**Output Power at 30 dB MER vs. I<sub>CC</sub><sup>11</sup>**



**I<sub>CC</sub> vs. Resistor R2 at V<sub>CC</sub> = 5 V**

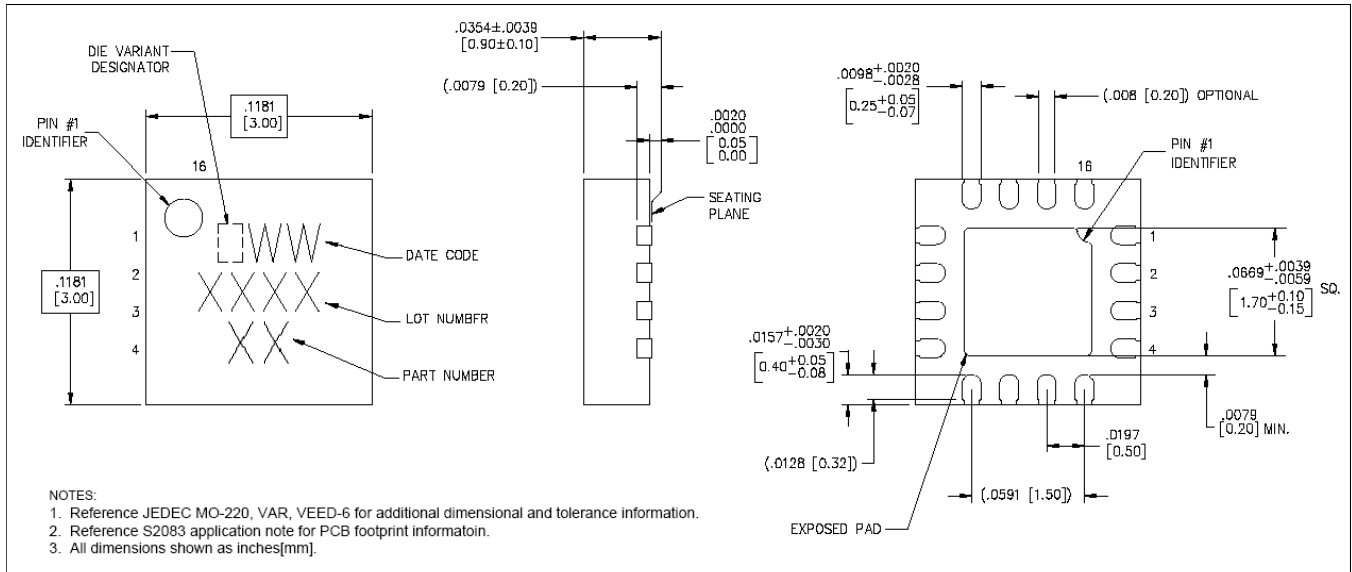


<sup>11</sup>F<sub>C</sub> is the center frequency of the measured channel, which is the 9<sup>th</sup> of 16 consecutive 64-QAM channels.

## CATV Return Path Differential Amplifier 5 - 300 MHz

Rev. V1

### Lead-Free 3 mm 16-Lead PQFN<sup>†</sup>



<sup>†</sup> Reference Application Note S2083 for lead-free solder reflow recommendations.  
Meets JEDEC moisture sensitivity 1 requirements.  
Plating is 100% matte tin plating over copper.

## Данный компонент на территории Российской Федерации

### Вы можете приобрести в компании MosChip.

Для оперативного оформления запроса Вам необходимо перейти по данной ссылке:

<http://moschip.ru/get-element>

Вы можете разместить у нас заказ для любого Вашего проекта, будь то серийное производство или разработка единичного прибора.

В нашем ассортименте представлены ведущие мировые производители активных и пассивных электронных компонентов.

Нашей специализацией является поставка электронной компонентной базы двойного назначения, продукции таких производителей как XILINX, Intel (ex.ALTERA), Vicor, Microchip, Texas Instruments, Analog Devices, Mini-Circuits, Amphenol, Glenair.

Сотрудничество с глобальными дистрибьюторами электронных компонентов, предоставляет возможность заказывать и получать с международных складов практически любой перечень компонентов в оптимальные для Вас сроки.

На всех этапах разработки и производства наши партнеры могут получить квалифицированную поддержку опытных инженеров.

Система менеджмента качества компании отвечает требованиям в соответствии с ГОСТ Р ИСО 9001, ГОСТ РВ 0015-002 и ЭС РД 009

### Офис по работе с юридическими лицами:

105318, г.Москва, ул.Щербаковская д.3, офис 1107, 1118, ДЦ «Щербаковский»

Телефон: +7 495 668-12-70 (многоканальный)

Факс: +7 495 668-12-70 (доб.304)

E-mail: [info@moschip.ru](mailto:info@moschip.ru)

Skype отдела продаж:

moschip.ru

moschip.ru\_4

moschip.ru\_6

moschip.ru\_9