



# Single-Chip Bluetooth Transceiver for Wireless Input Devices

The Cypress CYW20730 is a Bluetooth 3.0-compliant, stand-alone baseband processor with an integrated 2.4 GHz transceiver. It is ideal for wireless input device applications including game controllers, keyboards, 3D glasses, remote controls, gestural input devices, and sensor devices. Built-in firmware adheres to the Bluetooth Human Interface Device (HID) profile and Bluetooth Device ID profile specifications.

The CYW20730 radio has been designed to provide low power, low cost, and robust communications for applications operating in the globally available 2.4 GHz unlicensed ISM band. It is fully compliant with Bluetooth Radio Specification 3.0.

The single-chip Bluetooth transceiver is a monolithic component implemented in a standard digital CMOS process and requires minimal external components to make a fully compliant Bluetooth device. The CYW20730 is available in three package options: a 32-pin, 5 mm × 5 mm QFN, a 40-pin, 6 mm × 6 mm QFN, and a 64-pin, 7 mm × 7 mm BGA.

## Cypress Part Numbering Scheme

Cypress is converting the acquired IoT part numbers from Broadcom to the Cypress part numbering scheme. Due to this conversion, there is no change in form, fit, or function as a result of offering the device with Cypress part number marking. The table provides Cypress ordering part number that matches an existing IoT part number.

**Table 1. Mapping Table for Part Number between Broadcom and Cypress**

| Broadcom Part Number | Cypress Part Number |
|----------------------|---------------------|
| BCM20730             | CYW20730            |
| BCM20730A2KML2GT     | CYW20730A2KML2GT    |
| BCM20730A1KML2G      | CYW20730A1KML2G     |
| BCM20730A1KMLG       | CYW20730A1KMLG      |
| BCM20730A1KFBGT      | CYW20730A1KFBGT     |
| BCM20730A2KFBG       | CYW20730A2KFBG      |
| BCM20730A1KFBG       | CYW20730A1KFBG      |
| BCM20730A1KML2GT     | CYW20730A1KML2GT    |
| BCM20730A2KML2G      | CYW20730A2KML2G     |
| BCM20730A1KMLGT      | CYW20730A1KMLGT     |
| BCM20730A2KFBGT      | CYW20730A2KFBGT     |

## Acronyms and Abbreviations

In most cases, acronyms and abbreviations are defined on first use.

For a comprehensive list of acronyms and other terms used in Cypress documents, go to <http://www.cypress.com/glossary>.

## Applications

- Wireless pointing devices: mice, trackballs, gestural controls
- Wireless keyboards
- 3D glasses
- Remote controls
- Game controllers
- Point-of-sale (POS) input devices
- Remote sensors
- Home automation
- Personal health and fitness monitoring

## Features

- On-chip support for common keyboard and mouse interfaces eliminates external processor
- Programmable keyscan matrix interface, up to 8 × 20 key-scanning matrix
- 3-axis quadrature signal decoder
- Shutter control for 3D glasses
- Infrared modulator
- IR learning
- Triac control
- Triggered Broadcom Fast Connect
- Supports Adaptive Frequency Hopping
- Excellent receiver sensitivity
- Bluetooth specification 3.0 compatible, including enhanced power control (Unicast Connectionless Data)
- Bluetooth HID profile version 1.0 compliant
- Bluetooth Device ID profile version 1.3 compliant
- Bluetooth AVRCP-CT profile version 1.3 compliant
- 10-bit auxiliary ADC with 28 analog channels
- On-chip support for serial peripheral interface (master and slave modes)
- Broadcom Serial Communications (BSC) interface (compatible with Philips® (now NXP) I<sup>2</sup>C slaves)
- Programmable output power control meets Class 2 or Class 3 requirements
- Class 1 operation supported with external PA and T/R switch
- Integrated ARM Cortex™-M3 based microprocessor core
- On-chip power-on reset (POR)
- Support for EEPROM and serial flash interfaces
- Integrated low-dropout regulator (LDO)
- On-chip software controlled power management unit
- Three package types are available:
  - 32-pin QFN package (5 mm × 5 mm)
  - 40-pin QFN package (6 mm × 6 mm)
  - 64-pin BGA package (7 mm × 7 mm)
- RoHS compliant

Figure 1. Functional Block Diagram



**IoT Resources**

Cypress provides a wealth of data at <http://www.cypress.com/internet-things-iot> to help you to select the right IoT device for your design, and quickly and effectively integrate the device into your design. Cypress provides customer access to a wide range of information, including technical documentation, schematic diagrams, product bill of materials, PCB layout information, and software updates. Customers can acquire technical documentation and software from the Cypress Support Community website (<http://community.cypress.com/>).

**Contents**

|   |          |  |           |
|---|----------|--|-----------|
| <b>1. Functional Description</b> .....  | <b>5</b> | 1.16 PWM .....                                       | 18        |
| 1.1 Keyboard Scanner .....  | 5        | 1.17 Power Management Unit .....                     | 19        |
| 1.2 Mouse Quadrature Signal Decoder .....   | 6        | <b>2. Pin Assignments</b> .....                      | <b>20</b> |
| 1.3 Shutter Control for 3D Glasses .....  | 6        | 2.1 Pin Descriptions .....                           | 20        |
| 1.4 Infrared Modulator .....  | 7        | 2.2 Ball Maps .....                                  | 28        |
| 1.5 Infrared Learning .....   | 7        | <b>3. Specifications</b> .....                       | <b>31</b> |
| 1.6 Triac Control .....   | 8        | 3.1 Electrical Characteristics .....                 | 31        |
| 1.7 Broadcom Proprietary Control Signaling and<br>Triggered Broadcom Fast Connect ..... | 8        | 3.2 RF Specifications .....                          | 34        |
| 1.8 Bluetooth Baseband Core .....   | 8        | 3.3 Timing and AC Characteristics .....              | 36        |
| 1.9 ADC Port .....  | 9        | <b>4. Mechanical Information</b> .....               | <b>41</b> |
| 1.10 Serial Peripheral Interface .....  | 10       | 4.1 Tape Reel and Packaging Specifications .....     | 44        |
| 1.11 Microprocessor Unit .....  | 12       | <b>5. Ordering Information</b> .....                 | <b>45</b> |
| 1.12 Integrated Radio Transceiver .....   | 14       | <b>A. Appendix: Acronyms and Abbreviations</b> ..... | <b>46</b> |
| 1.13 Peripheral Transport Unit .....  | 15       | A.1 References .....                                 | 47        |
| 1.14 Clock Frequencies .....  | 15       | <b>Document History</b> .....                        | <b>48</b> |
| 1.15 GPIO Port .....  | 17       | <b>Sales, Solutions, and Legal Information</b> ..... | <b>50</b> |

## 1. Functional Description

### 1.1 Keyboard Scanner

The keyboard scanner is designed to autonomously sample keys and store them into buffer registers without the need for the host microcontroller to intervene. The scanner has the following features:

- Ability to turn off its clock if no keys pressed.
- Sequential scanning of up to 160 keys in an 8 x 20 matrix.
- Programmable number of columns from 1 to 20.
- Programmable number of rows from 1 to 8.
- 16-byte key-code buffer (can be augmented by firmware).
- 128 kHz clock – allows scanning of full 160-key matrix in about 1.2 ms.
- N-key rollover with selective 2-key lockout if ghost is detected.
- Keys are buffered until host microcontroller has a chance to read it, or until overflow occurs.
- Hardware debouncing and noise/glitch filtering.
- Low-power consumption. Single-digit  $\mu$ A-level sleep current.

#### 1.1.1 Theory of Operation

The key scan block is controlled by a state machine with the following states:

##### **Idle**

The state machine begins in the idle state. In this state, all column outputs are driven high. If any key is pressed, a transition occurs on one of the row inputs. This transition causes the 128 kHz clock to be enabled (if it is not already enabled by another peripheral) and the state machine to enter the scan state. Also in this state, an 8-bit row-hit register and an 8-bit key-index counter is reset to 0.

##### **Scan**

In the scan state, a row counter counts from 0 up to a programmable number of rows minus 1. Once the last row is reached, the row counter is reset and the column counter is incremented. This cycle repeats until the row and column counters are both at their respective terminal count values. At that point, the state machine moves into the Scan-End state.

As the keys are being scanned, the key-index counter is incremented. This counter is the value compared to the modifier key codes stored, or in the key-code buffer if the key is not a modifier key. It can be used by the microprocessor as an index into a lookup table of usage codes.

Also, as the n-th row is scanned, the row-hit register is ORed with the current 8-bit row input values if the current column contains two or more row hits. During the scan of any column, if a key is detected at the current row, and the row-hit register indicates that a hit was detected in that same row on a previous column, then a ghost condition may have occurred, and a bit in the status register is set to indicate this.

##### **Scan End**

This state determines whether any keys were detected while in the scan state. If yes, the state machine returns to the scan state. If no, the state machine returns to the idle state, and the 128 kHz clock request signal is made inactive.

The microcontroller can poll the key status register.

## 1.2 Mouse Quadrature Signal Decoder

The mouse signal decoder is designed to autonomously sample two quadrature signals commonly generated by optomechanical mouse apparatus. The decoder has the following features:

- Three pairs of inputs for X, Y, and Z (typical scroll wheel) axis signals. Each axis has two options:
  - For the X axis, choose P2 or P32 as X0 and P3 or P33 as X1.
  - For the Y axis, choose P4 or P34 as Y0 and P5 or P35 as Y1.
  - For the Z axis, choose P6 or P36 as Z0 and P7 or P37 as Z1.
- Control of up to four external high current GPIOs to power external optoelectronics:
  - Turn-on and turn-off time can be staggered for each HC-GPIO to avoid simultaneous switching of high currents and having multiple high-current devices on at the same time.
  - Sample time can be staggered for each axis.
  - Sense of the control signal can be active high or active low.
  - Control signal can be tristated for off condition or driven high or low, as appropriate.

### 1.2.1 Theory of Operation

The mouse decoder block has four 16-bit PWMs for controlling external quadrature devices and sampling the quadrature inputs at its core.

The GPIO signals may be used to control such items as LEDs, external ICs that may emulate quadrature signals, photodiodes, and photodetectors.

## 1.3 Shutter Control for 3D Glasses

The CYW20730, combined with the CYW20702, provides full system support for 3D glasses on televisions. The CYW20702 gets frame synchronization signals from the TV, converts them into proprietary timing control messages, then passes these messages to the CYW20730. The CYW20730 uses these messages to synchronize the shutter control for the 3D glasses with the television frames.

The CYW20730 can provide up to four synchronized control signals for left and right eye shutter control. These four lines can output pulses with microsecond resolution for on and off timing. The total cycle time can be set for any period up to 65535 msec. The pulses are synchronized to each other for left and right eye shutters.

The CYW20730 seamlessly adjusts the timing of the control signals based on control messages from the CYW20702, ensuring that the 3D glasses remain synchronized to the TV display frame.

3D hardware control on the CYW20730 works independently of the rest of the system. The CYW20730 negotiates sniff with the CYW20702 and, except for sniff resynchronization periods, most of the CYW20730 circuitry remains in a low power state while the 3D glasses subsystem continues to provide shutter timing and control pulses. This significantly reduces total system power consumption.

The CYW20730A2 has the new BT SIG 3DG profile, as well as legacy mode 3DG, included in ROM. This allows it to support a smaller and lower cost external memory of 4 KB.

### 1.4 Infrared Modulator

The CYW20730 includes hardware support for infrared TX. The hardware can transmit both modulated and unmodulated waveforms. For modulated waveforms, hardware inserts the desired carrier frequency into all IR transmissions. IR TX can be sourced from firmware-supplied descriptors, a programmable bit, or the peripheral UART transmitter.

If descriptors are used, they include IR on/off state and the duration between 1–32767  $\mu$ sec. The CYW20730 IR TX firmware driver inserts this information in a hardware FIFO and makes sure that all descriptors are played out without a glitch due to underrun. See [Figure 2](#).

Figure 2. Infrared TX



### 1.5 Infrared Learning

The CYW20730 includes hardware support for infrared learning. The hardware can detect both modulated and unmodulated signals. For modulated signals, the CYW20730 can detect carrier frequencies between 10 kHz and 500 kHz and the duration that the signal is present or absent. The CYW20730 firmware driver supports further analysis and compression of learned signal. The learned signal can then be played back through the CYW20730 IR TX subsystem. See [Figure 3](#).

Figure 3. Infrared RX



## 1.6 Triac Control

The CYW20730 includes hardware support for zero-crossing detection and trigger control for up to four triacs. The CYW20730 detects zero-crossing on the AC zero detection line and uses that to provide a pulse that is offset from the zero-crossing. This allows the CYW20730 to be used in dimmer applications, as well as any other applications that require a control signal that is offset from an input event.

## 1.7 Broadcom Proprietary Control Signaling and Triggered Broadcom Fast Connect

Broadcom Proprietary Control Signaling (BPCS) and Triggered Broadcom Fast Connect (TBFC) are Broadcom-proprietary baseband (ACL) suspension and low latency reconnection mechanisms that reestablish the baseband connection with the peer controller that also supports BPCS/TBFC.

The CYW20730 uses BPCS primitives to allow a Human Interface Device (HID) to suspend all RF traffic after a configurable idle period with no reportable activity. To conserve power, it can then enter one of its low power states while still logically remaining connected at the L2CAP and HID layers with the peer device. When an event requires the HID to deliver a report to the peer device, the CYW20730 uses the TBFC and BPCS mechanisms to reestablish the baseband connection and can immediately resume L2CAP traffic, greatly reducing latency between the event and delivery of the report to the peer device.

Certain applications may make use of the CYW20730 Baseband Fast Connect (BFC) mechanism for power savings and lower latencies not achievable by using even long sniff intervals by completely eliminating the need to maintain an RF link, while still being able to establish ACL and L2CAP connections much faster than regular methods.

## 1.8 Bluetooth Baseband Core

The Bluetooth Baseband Core (BBC) implements all of the time-critical functions required for high performance Bluetooth operation. The BBC manages the buffering, segmentation, and data routing for all connections. It also buffers data that passes through it, handles data flow control, schedules ACL TX/RX transactions, monitors Bluetooth slot usage, optimally segments and packages data into baseband packets, manages connection status indicators, and composes and decodes HCI packets. In addition to these functions, it independently handles HCI event types and HCI command types.

The following transmit and receive functions are also implemented in the BBC hardware to increase TX/RX data reliability and security before sending over the air:

- Receive Functions: symbol timing recovery, data deframing, forward error correction (FEC), header error control (HEC), cyclic redundancy check (CRC), data decryption, and data dewatering.
- Transmit Functions: data framing, FEC generation, HEC generation, CRC generation, link key generation, data encryption, and data whitening.

### 1.8.1 Frequency Hopping Generator

The frequency hopping sequence generator selects the correct hopping channel number depending on the link controller state, Bluetooth clock, and device address.

### 1.8.2 E0 Encryption

The encryption key and the encryption engine are implemented using dedicated hardware to reduce software complexity and provide minimal processor intervention.

### 1.8.3 Link Control Layer

The link control layer is part of the Bluetooth link control functions that are implemented in dedicated logic in the Link Control Unit (LCU). This layer consists of the Command Controller, which takes software commands, and other controllers that are activated or configured by the Command Controller to perform the link control tasks. Each task performs a different Bluetooth link controller state. STANDBY and CONNECTION are the two major states. In addition, there are five substates: page, page scan, inquiry, inquiry scan, and sniff.

### 1.8.4 Adaptive Frequency Hopping

The CYW20730 gathers link quality statistics on a channel-by-channel basis to facilitate channel assessment and channel map selection. The link quality is determined by using both RF and baseband signal processing to provide a more accurate frequency hop map.



### 1.8.5 Bluetooth Version 3.0 Features

The CYW20730 supports Bluetooth 3.0, including the following options:

- Enhanced Power Control
- Unicast Connectionless Data
- HCI Read Encryption Key Size command

The CYW20730 also supports the following Bluetooth version 2.1 features:

- Extended Inquiry Response
- Sniff Subrating
- Encryption Pause and Resume
- Secure Simple Pairing
- Link Supervision Timeout Changed Event
- Erroneous Data Reporting
- Non-Automatically-Flushable Packet Boundary Flag
- Security Mode 4

### 1.8.6 Test Mode Support

The CYW20730 fully supports Bluetooth Test mode, as described in Part 1 of the Bluetooth 3.0 specification. This includes the transmitter tests, normal and delayed loopback tests, and the reduced hopping sequence.

In addition to the standard Bluetooth Test mode, the device supports enhanced testing features to simplify RF debugging and qualification as well as type-approval testing.

## 1.9 ADC Port

The CYW20730 contains a 16-bit ADC (effective number of bits is 10).

Additionally:

- There are 28 analog input channels in the 64-pin package, 12 analog input channels in the 40-pin package, and 9 analog input channels in the 32-pin package. All channels are multiplexed on various GPIOs.
- The conversion time is 10  $\mu$ s.
- There is a built-in reference with supply- or band-gap based reference modes.
- The maximum conversion rate is 187 kHz.
- There is a rail-to-rail input swing.

The ADC consists of an analog ADC core that performs the actual analog-to-digital conversion and digital hardware that processes the output of the ADC core into valid ADC output samples. Directed by the firmware, the digital hardware also controls the input multiplexers that select the ADC input signal  $V_{inp}$  and the ADC reference signals  $V_{ref}$ .

**Table 2. ADC Modes**

| Mode | ENOB (Typical) | Maximum Sampling Rate (kHz) | Latency <sup>a</sup> ( $\mu$ s) |
|------|----------------|-----------------------------|---------------------------------|
| 0    | 13             | 5.859                       | 171                             |
| 1    | 12.6           | 11.7                        | 85                              |
| 2    | 12             | 46.875                      | 21                              |
| 3    | 11.5           | 93.75                       | 11                              |
| 4    | 10             | 187                         | 5                               |

a. Settling time after switching channels.

### 1.10 Serial Peripheral Interface

The CYW20730 has two independent SPI interfaces. One is a master-only interface and the other can be either a master or a slave. Each interface has a 16-byte transmit buffer and a 16-byte receive buffer. To support more flexibility for user applications, the CYW20730 has optional I/O ports that can be configured individually and separately for each functional pin, as shown in [Table 3](#). The CYW20730 acts as an SPI master device that supports 1.8V or 3.3V SPI slaves, as shown in [Table 3](#). The CYW20730 can also act as an SPI slave device that supports a 1.8V or 3.3V SPI master, as shown in [Table 3](#).

**Table 3. CYW20730 First SPI Set (Master Mode)**

| Pin Name  | SPI_CLK | SPI_MOSI | SPI_MISO | SPI_CS <sup>a</sup> |
|---|---------|----------|----------|---------------------|
| Configuration set 1                               | SCL     | SDA      | P24      | –                   |
| Configuration set 2                               | SCL     | SDA      | P26      | –                   |
| Configuration set 3<br>(Default for serial flash) | SCL     | SDA      | P32      | P33                 |
| Configuration set 4                               | SCL     | SDA      | P39      | –                   |

a. Any GPIO can be used as SPI\_CS when SPI is in master mode.

**Table 4. CYW20730 Second SPI Set (Master Mode)**

| Pin Name             | SPI_CLK | SPI_MOSI | SPI_MISO | SPI_CS <sup>a</sup> |
|----------------------|---------|----------|----------|---------------------|
| Configuration set 1  | P3      | P0       | P1       | –                   |
| Configuration set 2  | P3      | P0       | P5       | –                   |
| Configuration set 3  | P3      | P2       | P1       | –                   |
| Configuration set 4  | P3      | P2       | P5       | –                   |
| Configuration set 5  | P3      | P4       | P1       | –                   |
| Configuration set 6  | P3      | P4       | P5       | –                   |
| Configuration set 7  | P3      | P27      | P1       | –                   |
| Configuration set 8  | P3      | P27      | P5       | –                   |
| Configuration set 9  | P3      | P38      | P1       | –                   |
| Configuration set 10 | P3      | P38      | P5       | –                   |
| Configuration set 11 | P7      | P0       | P1       | –                   |
| Configuration set 12 | P7      | P0       | P5       | –                   |
| Configuration set 13 | P7      | P2       | P1       | –                   |
| Configuration set 14 | P7      | P2       | P5       | –                   |
| Configuration set 15 | P7      | P4       | P1       | –                   |
| Configuration set 16 | P7      | P4       | P5       | –                   |
| Configuration set 17 | P7      | P27      | P1       | –                   |
| Configuration set 18 | P7      | P27      | P5       | –                   |
| Configuration set 19 | P7      | P38      | P1       | –                   |
| Configuration set 20 | P7      | P38      | P5       | –                   |
| Configuration set 21 | P24     | P0       | P25      | –                   |
| Configuration set 22 | P24     | P2       | P25      | –                   |
| Configuration set 23 | P24     | P4       | P25      | –                   |
| Configuration set 24 | P24     | P27      | P25      | –                   |

**Table 4. CYW20730 Second SPI Set (Master Mode) (Cont.)**

| Pin Name             | SPI_CLK | SPI_MOSI | SPI_MISO | SPI_CS <sup>a</sup> |
|----------------------|---------|----------|----------|---------------------|
| Configuration set 25 | P24     | P38      | P25      | –                   |
| Configuration set 26 | P36     | P0       | P25      | –                   |
| Configuration set 27 | P36     | P2       | P25      | –                   |
| Configuration set 28 | P36     | P4       | P25      | –                   |
| Configuration set 29 | P36     | P27      | P25      | –                   |
| Configuration set 30 | P36     | P38      | P25      | –                   |

a. Any GPIO can be used as SPI\_CS when SPI is in master mode.

**Table 5. CYW20730 Second SPI Set (Slave Mode)<sup>a</sup>**

| Pin Name             | SPI_CLK | SPI_MOSI | SPI_MISO | SPI_CS |
|----------------------|---------|----------|----------|--------|
| Configuration set 1  | P3      | P0       | P1       | P2     |
| Configuration set 2  | P3      | P0       | P5       | P2     |
| Configuration set 3  | P3      | P4       | P1       | P2     |
| Configuration set 4  | P3      | P4       | P5       | P2     |
| Configuration set 5  | P7      | P0       | P1       | P2     |
| Configuration set 6  | P7      | P0       | P5       | P2     |
| Configuration set 7  | P7      | P4       | P1       | P2     |
| Configuration set 8  | P7      | P4       | P5       | P2     |
| Configuration set 9  | P3      | P0       | P1       | P6     |
| Configuration set 10 | P3      | P0       | P5       | P6     |
| Configuration set 11 | P3      | P4       | P1       | P6     |
| Configuration set 12 | P3      | P4       | P5       | P6     |
| Configuration set 13 | P7      | P0       | P1       | P6     |
| Configuration set 14 | P7      | P0       | P5       | P6     |
| Configuration set 15 | P7      | P4       | P1       | P6     |
| Configuration set 16 | P7      | P4       | P5       | P6     |
| Configuration set 17 | P24     | P27      | P25      | P26    |
| Configuration set 18 | P24     | P33      | P25      | P26    |
| Configuration set 19 | P24     | P38      | P25      | P26    |
| Configuration set 20 | P36     | P27      | P25      | P26    |
| Configuration set 21 | P36     | P33      | P25      | P26    |
| Configuration set 22 | P36     | P38      | P25      | P26    |
| Configuration set 23 | P24     | P27      | P25      | P32    |
| Configuration set 24 | P24     | P33      | P25      | P32    |
| Configuration set 25 | P24     | P38      | P25      | P32    |
| Configuration set 26 | P36     | P27      | P25      | P32    |
| Configuration set 27 | P36     | P33      | P25      | P32    |
| Configuration set 28 | P36     | P38      | P25      | P32    |

**Table 5. CYW20730 Second SPI Set (Slave Mode)<sup>a</sup>**

| Pin Name             | SPI_CLK | SPI_MOSI | SPI_MISO | SPI_CS |
|----------------------|---------|----------|----------|--------|
| Configuration set 29 | P24     | P27      | P25      | P39    |
| Configuration set 30 | P24     | P33      | P25      | P39    |
| Configuration set 31 | P24     | P38      | P25      | P39    |
| Configuration set 32 | P36     | P27      | P25      | P39    |
| Configuration set 33 | P36     | P33      | P25      | P39    |
| Configuration set 34 | P36     | P38      | P25      | P39    |

a. Additional configuration sets are available upon request.

## 1.11 Microprocessor Unit

The CYW20730 microprocessor unit ( $\mu$ PU) executes software from the link control (LC) layer up to the application layer components that ensure adherence to the Bluetooth Human Interface Device (HID) profile and Audio/Video Remote Control Profile (AVRCP). The microprocessor is based on an ARM Cortex™-M3, 32-bit RISC processor with embedded ICE-RT debug and JTAG interface units. The  $\mu$ PU has 320 KB of ROM for program storage and boot-up, 60 KB of RAM for scratch-pad data, and patch RAM code.

The internal boot ROM provides power-on reset flexibility, which enables the same device to be used in different HID applications with an external serial EEPROM or with an external serial flash memory. At power-up, the lowest layer of the protocol stack is executed from the internal ROM memory.

External patches may be applied to the ROM-based firmware to provide flexibility for bug fixes and feature additions. The device can also support the integration of user applications.

### 1.11.1 EEPROM Interface

The CYW20730 provides a Broadcom Serial Control (BSC) master interface. The BSC is programmed by the CPU to generate four types of BSC bus transfers: read-only, write-only, combined read/write, and combined write/read. BSC supports both low-speed and fast mode devices. The BSC is compatible with a Philips® (now NXP) I<sup>2</sup>C slave device, except that master arbitration (multiple I<sup>2</sup>C masters contending for the bus) is not supported.

The EEPROM can contain customer application configuration information including: application code, configuration data, patches, pairing information, BD\_ADDR, baud rate, SDP service record, and file system information used for code.

Native support for the Microchip® 24LC128, Microchip 24AA128, and ST Micro® M24128-BR is included.

### 1.11.2 Serial Flash Interface

The CYW20730 includes an SPI master controller that can be used to access serial flash memory. The SPI master contains an AHB slave interface, transmit and receive FIFOs, and the SPI core PHY logic.

Devices natively supported include the following:

- Atmel® AT25BCM512B
- MXIC® MX25V512ZUI-20G

1.11.3 Internal Reset

Figure 4. Internal Reset Timing



1.11.4 External Reset

The CYW20730 has an integrated power-on reset circuit that completely resets all circuits to a known power-on state. An external active low reset signal, RESET\_N, can be used to put the CYW20730 in the reset state. The RESET\_N pin has an internal pull-up resistor and, in most applications, it does not require that anything be connected to it. RESET\_N should only be released after the VDDO supply voltage level has been stabilized.

Figure 5. External Reset Timing



## 1.12 Integrated Radio Transceiver

The CYW20730 has an integrated radio transceiver that is optimized for 2.4 GHz Bluetooth® wireless systems. It has been designed to provide low power, low cost, and robust communications for applications operating in the globally available 2.4 GHz unlicensed ISM band. It is fully compliant with Bluetooth Radio Specification 3.0 and meets or exceeds the requirements to provide the highest communication link quality of service.

### 1.12.1 Transmitter Path

The CYW20730 features a fully integrated transmitter. The baseband transmit data is GFSK modulated in the 2.4 GHz ISM band.

#### **Digital Modulator**

The digital modulator performs the data modulation and filtering required for the GFSK signal. The fully digital modulator minimizes any frequency drift or anomalies in the modulation characteristics of the transmitted signal.

#### **Power Amplifier**

The CYW20730 has an integrated power amplifier (PA) that can transmit up to +4 dBm for class 2 operation.

### 1.12.2 Receiver Path

The receiver path uses a low IF scheme to downconvert the received signal for demodulation in the digital demodulator and bit synchronizer. The receiver path provides a high degree of linearity, an extended dynamic range, and high-order, on-chip channel filtering to ensure reliable operation in the noisy 2.4 GHz ISM band. The front-end topology, which has built-in out-of-band attenuation, enables the CYW20730 to be used in most applications without off-chip filtering.

#### **Digital Demodulator and Bit Synchronizer**

The digital demodulator and bit synchronizer take the low-IF received signal and perform an optimal frequency tracking and bit synchronization algorithm.

#### **Receiver Signal Strength Indicator**

The radio portion of the CYW20730 provides a receiver signal strength indicator (RSSI) to the baseband. This enables the controller to take part in a Bluetooth power-controlled link by providing a metric of its own receiver signal strength to determine whether the transmitter should increase or decrease its output power.

### 1.12.3 Local Oscillator

The local oscillator (LO) provides fast frequency hopping (1600 hops/second) across the 79 maximum available channels. The CYW20730 uses an internal loop filter.

### 1.12.4 Calibration

The CYW20730 radio transceiver features a self-contained automated calibration scheme. No user interaction is required during normal operation or during manufacturing to provide optimal performance. Calibration compensates for filter, matching network, and amplifier gain and phase characteristics to yield radio performance within 2% of what is optimal. Calibration takes process and temperature variations into account, and it takes place transparently during normal operation and hop setting times.

### 1.12.5 Internal LDO Regulator

The CYW20730 has an integrated 1.2V LDO regulator that provides power to the digital and RF circuits. The 1.2V LDO regulator operates from a 1.425V to 3.63V input supply with a 30 mA maximum load current.

**Note:** Always place the decoupling capacitors near the pins as closely together as possible.

### 1.13 Peripheral Transport Unit

#### 1.13.1 Broadcom Serial Communications Interface

The CYW20730 provides a 2-pin master BSC interface, which can be used to retrieve configuration information from an external EEPROM or to communicate with peripherals such as track-ball or touch-pad modules, and motion tracking ICs used in mouse devices. The BSC interface is compatible with I<sup>2</sup>C slave devices. The BSC does not support multimaster capability or flexible wait-state insertion by either master or slave devices.

The following transfer clock rates are supported by the BSC:

- 100 kHz
- 400 kHz
- 800 kHz (Not a standard I<sup>2</sup>C-compatible speed.)
- 1 MHz (Compatibility with high-speed I<sup>2</sup>C-compatible devices is not guaranteed.)

The following transfer types are supported by the BSC:

- Read (Up to 16 bytes can be read.)
- Write (Up to 16 bytes can be written.)
- Read-then-Write (Up to 16 bytes can be read and up to 16 bytes can be written.)
- Write-then-Read (Up to 16 bytes can be written and up to 16 bytes can be read.)

Hardware controls the transfers, requiring minimal firmware setup and supervision.

The clock pin (SCL) and data pin (SDA) are both open-drain I/O pins. Pull-up resistors external to the CYW20730 are required on both the SCL and SDA pins for proper operation.

#### 1.13.2 UART Interface

The UART is a standard 2-wire interface (RX and TX) and has adjustable baud rates from 9600 bps to 1.5 Mbps. The baud rate can be selected via a vendor-specific UART HCI command. The interface supports the Bluetooth 3.0 UART HCI (H5) specification. The default baud rate for H5 is 115.2 kbaud.

Both high and low baud rates can be supported by running the UART clock at 24 MHz.

The CYW20730 UART operates correctly with the host UART as long as the combined baud rate error of the two devices is within ±5%.

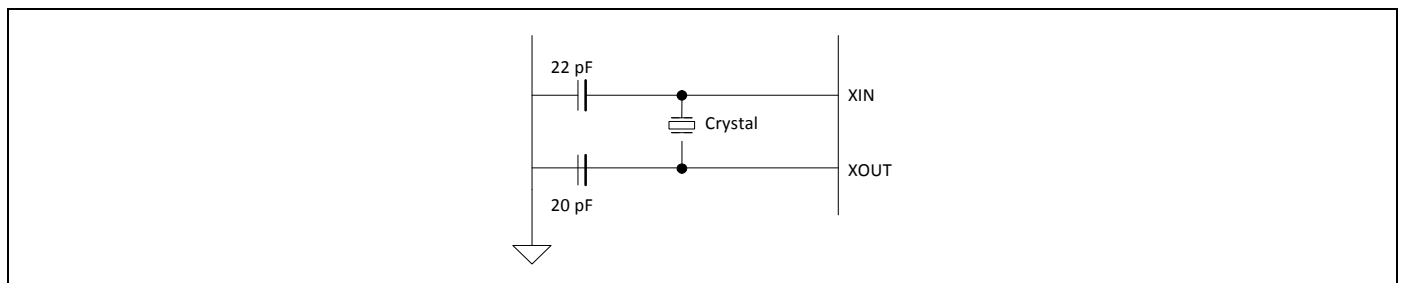
### 1.14 Clock Frequencies

The CYW20730 is set with crystal frequency of 24 MHz.

#### 1.14.1 Crystal Oscillator

The crystal oscillator requires a crystal with an accuracy of ±20 ppm as defined by the Bluetooth specification. Two external load capacitors in the range of 5 pF to 30 pF are required to work with the crystal oscillator. The selection of the load capacitors is crystal dependent. [Table 6 on page 16](#) shows the recommended crystal specification.

**Figure 6. Recommended Oscillator Configuration—12 pF Load Crystal**



**Table 6. Reference Crystal Electrical Specifications**

| Parameter                     | Conditions    | Minimum     | Typical | Maximum | Unit     |
|-------------------------------|---------------|-------------|---------|---------|----------|
| Nominal frequency             | –             | –           | 24.000  | –       | MHz      |
| Oscillation mode              | –             | Fundamental |         |         | –        |
| Frequency tolerance           | @25°C         | –           | ±10     | –       | ppm      |
| Tolerance stability over temp | @0°C to +70°C | –           | ±10     | –       | ppm      |
| Equivalent series resistance  | –             | –           | –       | 50      | Ω        |
| Load capacitance              | –             | –           | 12      | –       | pF       |
| Operating temperature range   | –             | 0           | –       | +70     | °C       |
| Storage temperature range     | –             | –40         | –       | +125    | °C       |
| Drive level                   | –             | –           | –       | 200     | μW       |
| Aging                         | –             | –           | –       | ±10     | ppm/year |
| Shunt capacitance             | –             | –           | –       | 2       | pF       |

### HID Peripheral Block

The peripheral blocks of the CYW20730 all run from a single 128 kHz low-power RC oscillator. The oscillator can be turned on at the request of any of the peripherals. If the peripheral is not enabled, it shall not assert its clock request line.

The keyboard scanner is a special case in that it may drop its clock request line even when enabled and then reassert the clock request line if a keypress is detected.

### 32 kHz Crystal Oscillator

Figure 7 shows the 32 kHz crystal (XTAL) oscillator with external components and Table 7 on page 17 lists the oscillator's characteristics. It is a standard Pierce oscillator using a comparator with hysteresis on the output to create a single-ended digital output. The hysteresis was added to eliminate any chatter when the input is around the threshold of the comparator and is ~100 mV. This circuit can be operated with a 32 kHz or 32.768 kHz crystal oscillator or be driven with a clock input at similar frequency. The default component values are: R1 = 10 MΩ, C1 = C2 = ~10 pF. The values of C1 and C2 are used to fine-tune the oscillator.

**Figure 7. 32 kHz Oscillator Block Diagram**




**Table 7. XTAL Oscillator Characteristics**

| Parameter              | Symbol               | Conditions            | Minimum | Typical | Maximum | Unit             |
|------------------------|----------------------|-----------------------|---------|---------|---------|------------------|
| Output frequency       | $F_{\text{oscout}}$  | –                     | –       | 32.768  | –       | kHz              |
| Frequency tolerance    | –                    | Crystal dependent     | –       | 100     | –       | ppm              |
| Start-up time          | $T_{\text{startup}}$ | –                     | –       | –       | 500     | ms               |
| XTAL drive level       | $P_{\text{drv}}$     | For crystal selection | 0.5     | –       | –       | $\mu\text{W}$    |
| XTAL series resistance | $R_{\text{series}}$  | For crystal selection | –       | –       | 70      | $\text{k}\Omega$ |
| XTAL shunt capacitance | $C_{\text{shunt}}$   | For crystal selection | –       | –       | 1.3     | pF               |

### 1.15 GPIO Port

The CYW20730 has 14 general-purpose I/Os (GPIOs) in the 32-pin package, 22 GPIOs in the 40-pin package, and 40 GPIOs in the 64-pin package. All GPIOs support programmable pull-up and pull-down resistors, and all support a 2 mA drive strength except P26, P27, P28, and P29, which provide a 16 mA drive strength at 3.3V supply.

#### 1.15.1 Port 0–Port 1, Port 8–Port 23, and Port 28–Port 38

All of these pins can be programmed as ADC inputs.

#### 1.15.2 Port 26–Port 29

P[26:29] consists of four pins. All pins are capable of sinking up to 16 mA for LED. These pins also have the PWM function, which can be used for LED dimming.

### 1.16 PWM

The CYW20730 has four internal PWM channels. The PWM module consists of the following:

- PWM1–4
- Each of the four PWM channels, PWM1–4, contains the following registers:
  - 10-bit initial value register (read/write)
  - 10-bit toggle register (read/write)
  - 10-bit PWM counter value register (read)
- The PWM configuration register is shared among PWM1–4 (read/write). This 12-bit register is used:
  - To configure each PWM channel.
  - To select the clock of each PWM channel
  - To change the phase of each PWM channel

Figure 8 shows the structure of one PWM channel.

Figure 8. PWM Channel Block Diagram



## 1.17 Power Management Unit

The Power Management Unit (PMU) provides power management features that can be invoked by software through power management registers or packet-handling in the baseband core.

### 1.17.1 RF Power Management

The BBC generates power-down control signals for the transmit path, receive path, PLL, and power amplifier to the 2.4 GHz transceiver, which then processes the power-down functions accordingly.

### 1.17.2 Host Controller Power Management

Power is automatically managed by the firmware based on input device activity. As a power-saving task, the firmware controls the disabling of the on-chip regulator when in deep Sleep mode.

### 1.17.3 BBC Power Management

There are several low-power operations for the BBC:

- Physical layer packet handling turns RF on and off dynamically within packet TX and RX.
- Bluetooth-specified low-power connection sniff mode. While in these low-power connection modes, the CYW20730 runs on the Low Power Oscillator and wakes up after a predefined time period.

The CYW20730 automatically adjusts its power dissipation based on user activity. The following power modes are supported:

- Active mode
- Idle mode
- Sleep mode
- HIDEOFF mode

The CYW20730 transitions to the next lower state after a programmable period of user inactivity. Busy mode is immediately entered when user activity resumes.

In HIDEOFF mode, the CYW20730 baseband and core are powered off by disabling power to LDOOUT. The VDDO domain remains powered up and will turn the remainder of the chip on when it detects user events. This mode minimizes chip power consumption and is intended for long periods of inactivity.

## 2. Pin Assignments

### 2.1 Pin Descriptions

Table 8. Pin Descriptions

| Pin Number                                   |            |                        | Pin Name | I/O    | Power Domain | Description  |
|--|------------|------------------------|----------|--------|--------------|--|
| 32-Pin QFN                                   | 40-pin QFN | 64-pin BGA             |          |        |              |  |
| <b>Radio I/O</b>                             |            |                        |          |        |              |  |
| 6  | 8          | F1                     | RF       | I/O    | VDD_RF       | RF antenna port  |
| <b>RF Power Supplies</b>                     |            |                        |          |        |              |  |
| 4  | 6          | D1                     | VDDIF    | I      | VDD_RF       | IFPLL power supply   |
| 5  | 7          | E1                     | VDDFE    | I      | VDD_RF       | RF front-end supply  |
| 7  | 9          | H1                     | VDDVCO   | I      | VDD_RF       | VCO, LOGEN supply  |
| 8  | 10         | H2                     | VDDPLL   | I      | VDD_RF       | RFPLL and crystal oscillator supply  |
| <b>Power Supplies</b>                        |            |                        |          |        |              |  |
| 11   | 13         | H6                     | VDDC     | I      | N/A          | Baseband core supply   |
| –  | –          | D4, E2, E5, F2, G1, G2 | VSS      | I      | N/A          | Ground   |
| 28   | 34         | A6, D7                 | VDDO     | I      | VDDO         | I/O pad and core supply  |
| 14   | 16         | –                      | VDDM     | I      | VDDM         | I/O pad supply   |
| <b>Clock Generator and Crystal Interface</b> |            |                        |          |        |              |  |
| 9  | 11         | H3                     | XTALI    | I      | VDD_RF       | Crystal oscillator input. See “ <a href="#">Crystal Oscillator</a> ” on page 15 for options.   |
| 10   | 12         | G3                     | XTALO    | O      | VDD_RF       | Crystal oscillator output.   |
| 1  | 40         | A3                     | XTALI32K | I      | VDDO         | Low-power oscillator (LPO) input is used.<br>Alternative Function:<br><ul style="list-style-type: none"> <li>■ P11 and P27 in 32-QFN only</li> <li>■ P11 in 40-QFN only</li> <li>■ P39 in 64-BGA only</li> </ul> |
| 32   | 39         | B3                     | XTALO32K | O      | VDDO         | Low-power oscillator (LPO) output.<br>Alternative Function:<br><ul style="list-style-type: none"> <li>■ P12 and P26 in 32-QFN only</li> <li>■ P12 in 40-QFN only</li> <li>■ P38 in 64-BGA only</li> </ul>        |
| <b>Core</b>                                  |            |                        |          |        |              |  |
| 18   | 20         | G8                     | RESET_N  | I/O PU | VDDO         | Active-low system reset with open-drain output & internal pull-up resistor   |
| 17   | 19         | G7                     | TMC      | I      | VDDO         | Test mode control<br>High: test mode<br>Connect to GND if not used.  |

Table 8. Pin Descriptions (Cont.)

| Pin Number                          |            |            | Pin Name | I/O     | Power Domain      | Description  |
|-------------------------------------|------------|------------|----------|---------|-------------------|--|
| 32-Pin QFN                          | 40-pin QFN | 64-pin BGA |          |         |                   |  |
| <b>UART</b>                         |            |            |          |         |                   |  |
| 12                                  | 14         | H5         | UART_RXD | I       | VDDM <sup>a</sup> | UART serial input – Serial data input for the HCI UART interface. Leave unconnected if not used.<br>Alternative function:<br>■ GPIO3   |
| 13                                  | 15         | G5         | UART_TXD | O, PU   | VDDM <sup>a</sup> | UART serial output – Serial data output for the HCI UART interface. Leave unconnected if not used.<br>Alternative Function:<br>■ GPIO2 |
| <b>BSC</b>                          |            |            |          |         |                   |  |
| 15                                  | 17         | F7         | SDA      | I/O, PU | VDDM <sup>a</sup> | Data signal for an external I <sup>2</sup> C device.<br>Alternative function:<br>■ SPI_1: MOSI (master only)<br>■ GPIO0<br>■ CTS       |
| 16                                  | 18         | E8         | SCL      | I/O, PU | VDDM <sup>a</sup> | Clock signal for an external I <sup>2</sup> C device.<br>Alternative function:<br>■ SPI_1: SPI_CLK (master only)<br>■ GPIO1<br>■ RTS   |
| <b>LDO Regulator Power Supplies</b> |            |            |          |         |                   |  |
| 2                                   | 4          | B1         | LDOIN    | I       | LDO               | Battery input supply for the LDO   |
| 3                                   | 5          | C1         | LDOOUT   | O       | LDO               | LDO output   |

a. VDDO for 64-pin package.

Table 9. GPIO Pin Descriptions<sup>a</sup>

| Pin Number    |               |               | Pin Name | Default Di-<br>rection | After POR | Power<br>Domain | Alternate Function Description   |
|---------------|---------------|---------------|----------|------------------------|-----------|-----------------|--|
| 32-Pin<br>QFN | 40-pin<br>QFN | 64-pin<br>BGA |          |                        |           |                 |  |
| 19            | 21            | F6            | P0       | Input                  | Floating  | VDDO            | <ul style="list-style-type: none"> <li>■ GPIO: P0</li> <li>■ Keyboard scan input (row): KSI0</li> <li>■ A/D converter input</li> <li>■ Peripheral UART: puart_tx</li> <li>■ SPI_2: MOSI (master and slave)</li> <li>■ IR_RX</li> <li>■ 60 Hz_main</li> <li>■ Not available during TMC=1</li> </ul> |
| 20            | 22            | G6            | P1       | Input                  | Floating  | VDDO            | <ul style="list-style-type: none"> <li>■ GPIO: P1</li> <li>■ Keyboard scan input (row): KSI1</li> <li>■ A/D converter input</li> <li>■ Peripheral UART: puart_rts</li> <li>■ SPI_2: MISO (master and slave)</li> <li>■ IR_TX</li> </ul>  |
| 22            | 24            | H8            | P2       | Input                  | Floating  | VDDO            | <ul style="list-style-type: none"> <li>■ GPIO: P2</li> <li>■ Keyboard scan input (row): KSI2</li> <li>■ Quadrature: QDX0</li> <li>■ Peripheral UART: puart_rx</li> <li>■ Triac control 2</li> <li>■ SPI_2: SPI_CS (slave only)</li> <li>■ SPI_2: SPI_MOSI (master only)</li> </ul>                 |
| 21            | 23            | F8            | P3       | Input                  | Floating  | VDDO            | <ul style="list-style-type: none"> <li>■ GPIO: P3</li> <li>■ Keyboard scan input (row): KSI3</li> <li>■ Quadrature: QDX1</li> <li>■ Peripheral UART: puart_cts</li> <li>■ SPI_2: SPI_CLK (master and slave)</li> </ul>   |
| 23            | 25            | H7            | P4       | Input                  | Floating  | VDDO            | <ul style="list-style-type: none"> <li>■ GPIO: P4</li> <li>■ Keyboard scan input (row): KSI4</li> <li>■ Quadrature: QDY0</li> <li>■ Peripheral UART: puart_rx</li> <li>■ SPI_2: MOSI (master and slave)</li> <li>■ IR_TX</li> </ul>  |

Table 9. GPIO Pin Descriptions<sup>a</sup> (Cont.)

| Pin Number |            |            | Pin Name    | Default Direction | After POR | Power Domain | Alternate Function Description  |
|------------|------------|------------|-------------|-------------------|-----------|--------------|---|
| 32-Pin QFN | 40-pin QFN | 64-pin BGA |             |                   |           |              |   |
| –          | 26         | E6         | P5          | Input             | Floating  | VDDO         | <ul style="list-style-type: none"> <li>■ GPIO: P5</li> <li>■ Keyboard scan input (row): KSI5</li> <li>■ Quadrature: QDY1</li> <li>■ Peripheral UART: puart_tx</li> <li>■ SPI_2: MISO (master and slave)</li> </ul>  |
| –          | 27         | F5         | P6<br>PWM2  | Input             | Floating  | VDDO         | <ul style="list-style-type: none"> <li>■ GPIO: P6</li> <li>■ Keyboard scan input (row): KSI6</li> <li>■ Quadrature: QDZ0</li> <li>■ Peripheral UART: puart_rts</li> <li>■ SPI_2: SPI_CS (slave only)</li> <li>■ 60Hz_main</li> <li>■ Triac control 1</li> </ul> |
| –          | 28         | C5         | P7          | Input             | Floating  | VDDO         | <ul style="list-style-type: none"> <li>■ GPIO: P7</li> <li>■ Keyboard scan input (row): KSI7</li> <li>■ Quadrature: QDZ1</li> <li>■ Peripheral UART: puart_cts</li> <li>■ SPI_2: SPI_CLK (master and slave)</li> </ul>  |
| 24         | 29         | F4         | P8          | Input             | Floating  | VDDO         | <ul style="list-style-type: none"> <li>■ GPIO: P8</li> <li>■ Keyboard scan output (column): KSO0</li> <li>■ A/D converter input</li> <li>■ External T/R switch control: ~tx_pd</li> <li>Alternative Function:</li> <li>■ P33 in 32-QFN only</li> </ul>          |
| –          | 3          | A1         | P9          | Input             | Floating  | VDDO         | <ul style="list-style-type: none"> <li>■ GPIO: P9</li> <li>■ Keyboard scan output (column): KSO1</li> <li>■ A/D converter input</li> <li>■ External T/R switch control: tx_pd</li> </ul>  |
| –          | 2          | D2         | P10<br>PWM3 | Input             | Floating  | VDDO         | <ul style="list-style-type: none"> <li>■ GPIO: P10</li> <li>■ Keyboard scan output (column): KSO2</li> <li>■ A/D converter input</li> </ul>   |
| 1          | 40         | C2         | P11         | Input             | Floating  | VDDO         | <ul style="list-style-type: none"> <li>■ GPIO: P11</li> <li>■ Keyboard scan output (column): KSO3</li> <li>■ A/D converter input</li> <li>■ XTALI32K (32-QFN and 40-QFN only)</li> <li>Alternative Function:</li> <li>■ P27 in 32-QFN only</li> </ul>           |

Table 9. GPIO Pin Descriptions<sup>a</sup> (Cont.)

| Pin Number |            |            | Pin Name    | Default Direction | After POR | Power Domain | Alternate Function Description   |
|------------|------------|------------|-------------|-------------------|-----------|--------------|--|
| 32-Pin QFN | 40-pin QFN | 64-pin BGA |             |                   |           |              |  |
| 32         | 39         | B2         | P12         | Input             | Floating  | VDDO         | <ul style="list-style-type: none"> <li>■ GPIO: P12</li> <li>■ Keyboard scan output (column): KSO4</li> <li>■ A/D converter input</li> <li>■ XTALO32K (32-QFN and 40-QFN only)<br/>Alternative Function:</li> <li>■ P26 in 32-QFN only</li> </ul> |
| 29         | 35         | F3         | P13<br>PWM3 | Input             | Floating  | VDDO         | <ul style="list-style-type: none"> <li>■ GPIO: P13</li> <li>■ Keyboard scan output (column): KSO5</li> <li>■ A/D converter input</li> <li>■ Triac control 3<br/>Alternative Function:</li> <li>■ P28 in 32-QFN only</li> </ul>                   |
| 30         | 36         | D3         | P14<br>PWM2 | Input             | Floating  | VDDO         | <ul style="list-style-type: none"> <li>■ GPIO: P14</li> <li>■ Keyboard scan output (column): KSO6</li> <li>■ A/D converter input</li> <li>■ Triac control 4<br/>Alternative Function:</li> <li>■ P38 in 32-QFN only</li> </ul>                   |
| 31         | 37         | A2         | P15         | Input             | Floating  | VDDO         | <ul style="list-style-type: none"> <li>■ GPIO: P15</li> <li>■ Keyboard scan output (column): KSO7</li> <li>■ A/D converter input</li> <li>■ IR_RX</li> <li>■ 60Hz_main</li> </ul>  |
| –          | –          | C8         | P16         | Input             | Floating  | VDDO         | <ul style="list-style-type: none"> <li>■ GPIO: P16</li> <li>■ Keyboard scan output (column): KSO8</li> </ul>   |
| –          | –          | H4         | P17         | Input             | Floating  | VDDO         | <ul style="list-style-type: none"> <li>■ GPIO: P17</li> <li>■ Keyboard scan output (column): KSO9</li> <li>■ A/D converter input</li> </ul>  |
| –          | –          | C7         | P18         | Input             | Floating  | VDDO         | <ul style="list-style-type: none"> <li>■ GPIO: P18</li> <li>■ Keyboard scan output (column): KSO10</li> <li>■ A/D converter input</li> </ul>   |
| –          | –          | B8         | P19         | Input             | Floating  | VDDO         | <ul style="list-style-type: none"> <li>■ GPIO: P19</li> <li>■ Keyboard scan output (column): KSO11</li> <li>■ A/D converter input</li> </ul>   |
| –          | –          | A8         | P20         | Input             | Floating  | VDDO         | <ul style="list-style-type: none"> <li>■ GPIO: P20</li> <li>■ Keyboard scan output (column): KSO12</li> <li>■ A/D converter input</li> </ul>   |



Table 9. GPIO Pin Descriptions<sup>a</sup> (Cont.)

| Pin Number    |               |               | Pin Name    | Default Di-<br>rection | After POR | Power<br>Domain | Alternate Function Description   |
|---------------|---------------|---------------|-------------|------------------------|-----------|-----------------|--|
| 32-Pin<br>QFN | 40-pin<br>QFN | 64-pin<br>BGA |             |                        |           |                 |  |
| –             | –             | C6            | P21         | Input                  | Floating  | VDDO            | <ul style="list-style-type: none"> <li>■ GPIO: P21</li> <li>■ Keyboard scan output (column): KSO13</li> <li>■ A/D converter input</li> <li>■ Triac control 3</li> </ul>  |
| –             | –             | G4            | P22         | Input                  | Floating  | VDDO            | <ul style="list-style-type: none"> <li>■ GPIO: P22</li> <li>■ Keyboard scan output (column): KSO14</li> <li>■ A/D converter input</li> <li>■ Triac control 4</li> </ul>  |
| –             | –             | E3            | P23         | Input                  | Floating  | VDDO            | <ul style="list-style-type: none"> <li>■ GPIO: P23</li> <li>■ Keyboard scan output (column): KSO15</li> <li>■ A/D converter input</li> </ul>   |
| 27            | 33            | A7            | P24         | Input                  | Floating  | VDDO            | <ul style="list-style-type: none"> <li>■ GPIO: P24</li> <li>■ Keyboard scan output (column): KSO16</li> <li>■ SPI_2: SPI_CLK (master and slave)</li> <li>■ SPI_1: MISO (master only)</li> <li>■ Peripheral UART: uart_tx</li> </ul>  |
| 26            | 32            | B7            | P25         | Input                  | Floating  | VDDO            | <ul style="list-style-type: none"> <li>■ GPIO: P25</li> <li>■ Keyboard scan output (column): KSO17</li> <li>■ SPI_2: MISO (master and slave)</li> <li>■ Peripheral UART: uart_rx</li> </ul>  |
| 32            | 38            | A4            | P26<br>PWM0 | Input                  | Floating  | VDDO            | <ul style="list-style-type: none"> <li>■ GPIO: P26</li> <li>■ Keyboard scan output (column): KSO18</li> <li>■ SPI_2: SPI_CS (slave only)</li> <li>■ SPI_1: MISO (master only)</li> <li>■ Optical control output: QOC0</li> <li>■ Triac control 1</li> <li>Alternative Function:</li> <li>■ P12 in 32-QFN only</li> <li>Current: 16 mA</li> </ul> |
| 1             | 1             | B4            | P27<br>PWM1 | Input                  | Floating  | VDDO            | <ul style="list-style-type: none"> <li>■ GPIO: P27</li> <li>■ Keyboard scan output (column): KSO19</li> <li>■ SPI_2: MOSI (master and slave)</li> <li>■ Optical control output: QOC1</li> <li>■ Triac control 2</li> <li>Alternative Function:</li> <li>■ P11 in 32-QFN only</li> <li>Current: 16 mA</li> </ul>                                  |

Table 9. GPIO Pin Descriptions<sup>a</sup> (Cont.)

| Pin Number    |               |               | Pin Name    | Default Di-<br>rection | After POR | Power<br>Domain | Alternate Function Description   |
|---------------|---------------|---------------|-------------|------------------------|-----------|-----------------|--|
| 32-Pin<br>QFN | 40-pin<br>QFN | 64-pin<br>BGA |             |                        |           |                 |  |
| 29            | –             | B5            | P28<br>PWM2 | Input                  | Floating  | VDDO            | <ul style="list-style-type: none"> <li>■ GPIO: P28</li> <li>■ Optical control output: QOC2</li> <li>■ A/D converter input</li> <li>■ LED1</li> <li>■ IR_TX<br/>Alternative Function:</li> <li>■ P13 in 32-QFN only<br/>Current: 16 mA</li> </ul>   |
| –             | –             | A5            | P29<br>PWM3 | Input                  | Floating  | VDDO            | <ul style="list-style-type: none"> <li>■ GPIO: P29</li> <li>■ Optical control output: QOC3</li> <li>■ A/D converter input</li> <li>■ LED2</li> <li>■ IR_RX<br/>Current: 16 mA</li> </ul>   |
| –             | –             | E4            | P30         | Input                  | Floating  | VDDO            | <ul style="list-style-type: none"> <li>■ GPIO: P30</li> <li>■ A/D converter input</li> <li>■ Pairing button pin in default FW</li> <li>■ Peripheral UART: uart_rts</li> </ul>  |
| –             | –             | E7            | P31         | Input                  | Floating  | VDDO            | <ul style="list-style-type: none"> <li>■ GPIO: P31</li> <li>■ A/D converter input</li> <li>■ EEPROM WP pin in default FW</li> <li>■ Peripheral UART: uart_tx</li> </ul>  |
| 25            | 31            | D6            | P32         | Input                  | Floating  | VDDO            | <ul style="list-style-type: none"> <li>■ GPIO: P32</li> <li>■ A/D converter input</li> <li>■ Quadrature: QDX0</li> <li>■ SPI_2: SPI_CS (slave only)</li> <li>■ SPI_1: MISO (master only)</li> <li>■ Auxiliary clock output: ACLK0</li> <li>■ Peripheral UART: uart_tx</li> </ul>                 |
| 24            | 30            | D8            | P33         | Input                  | Floating  | VDDO            | <ul style="list-style-type: none"> <li>■ GPIO: P33</li> <li>■ A/D converter input</li> <li>■ Quadrature: QDX1</li> <li>■ SPI_2: MOSI (slave only)</li> <li>■ Auxiliary clock output: ACLK1</li> <li>■ Peripheral UART: uart_rx<br/>Alternative Function:</li> <li>■ P8 in 32-QFN only</li> </ul> |

Table 9. GPIO Pin Descriptions<sup>a</sup> (Cont.)

| Pin Number |            |            | Pin Name | Default Direction | After POR | Power Domain | Alternate Function Description  |
|------------|------------|------------|----------|-------------------|-----------|--------------|---|
| 32-Pin QFN | 40-pin QFN | 64-pin BGA |          |                   |           |              |   |
| –          | –          | B6         | P34      | Input             | Floating  | VDDO         | <ul style="list-style-type: none"> <li>■ GPIO: P34</li> <li>■ A/D converter input</li> <li>■ Quadrature: QDY0</li> <li>■ Peripheral UART: puart_rx</li> <li>■ External T/R switch control: tx_pd</li> </ul>   |
| –          | –          | D5         | P35      | Input             | Floating  | VDDO         | <ul style="list-style-type: none"> <li>■ GPIO: P35</li> <li>■ A/D converter input</li> <li>■ Quadrature: QDY1</li> <li>■ Peripheral UART: puart_cts</li> </ul>  |
| –          | –          | C4         | P36      | Input             | Floating  | VDDO         | <ul style="list-style-type: none"> <li>■ GPIO: P36</li> <li>■ A/D converter input</li> <li>■ Quadrature: QDZ0</li> <li>■ SPI_2: SPI_CLK (master and slave)</li> <li>■ Auxiliary Clock Output: ACLK0</li> <li>■ Battery detect pin in default FW</li> <li>■ External T/R switch control: ~tx_pd</li> </ul> |
| –          | –          | C3         | P37      | Input             | Floating  | VDDO         | <ul style="list-style-type: none"> <li>■ GPIO: P37</li> <li>■ A/D converter input</li> <li>■ Quadrature: QDZ1</li> <li>■ SPI_2: MISO (slave only)</li> <li>■ Auxiliary clock output: ACLK1</li> </ul>   |
| 30         | –          | B3         | P38      | Input             | Floating  | VDDO         | <ul style="list-style-type: none"> <li>■ GPIO: P38</li> <li>■ A/D converter input</li> <li>■ SPI_2: MOSI (master and slave)</li> <li>■ IR_TX</li> <li>■ XTALO32K (64-BGA only)</li> <li>Alternative Function:</li> <li>■ P14 in 32-QFN only</li> </ul>  |
| –          | –          | A3         | P39      | Input             | Floating  | VDDO         | <ul style="list-style-type: none"> <li>■ GPIO: P39</li> <li>■ SPI_2: SPI_CS (slave only)</li> <li>■ SPI_1: MISO (master only)</li> <li>■ Infrared control: IR_RX</li> <li>■ External PA ramp control: PA_Ramp</li> <li>■ XTALI32K (64-BGA only)</li> <li>■ 60Hz_main</li> </ul>                           |

a. During Power-On Reset, all inputs are disabled.

2.2 Ball Maps

Figure 9. 32-Pin QFN Ball Map

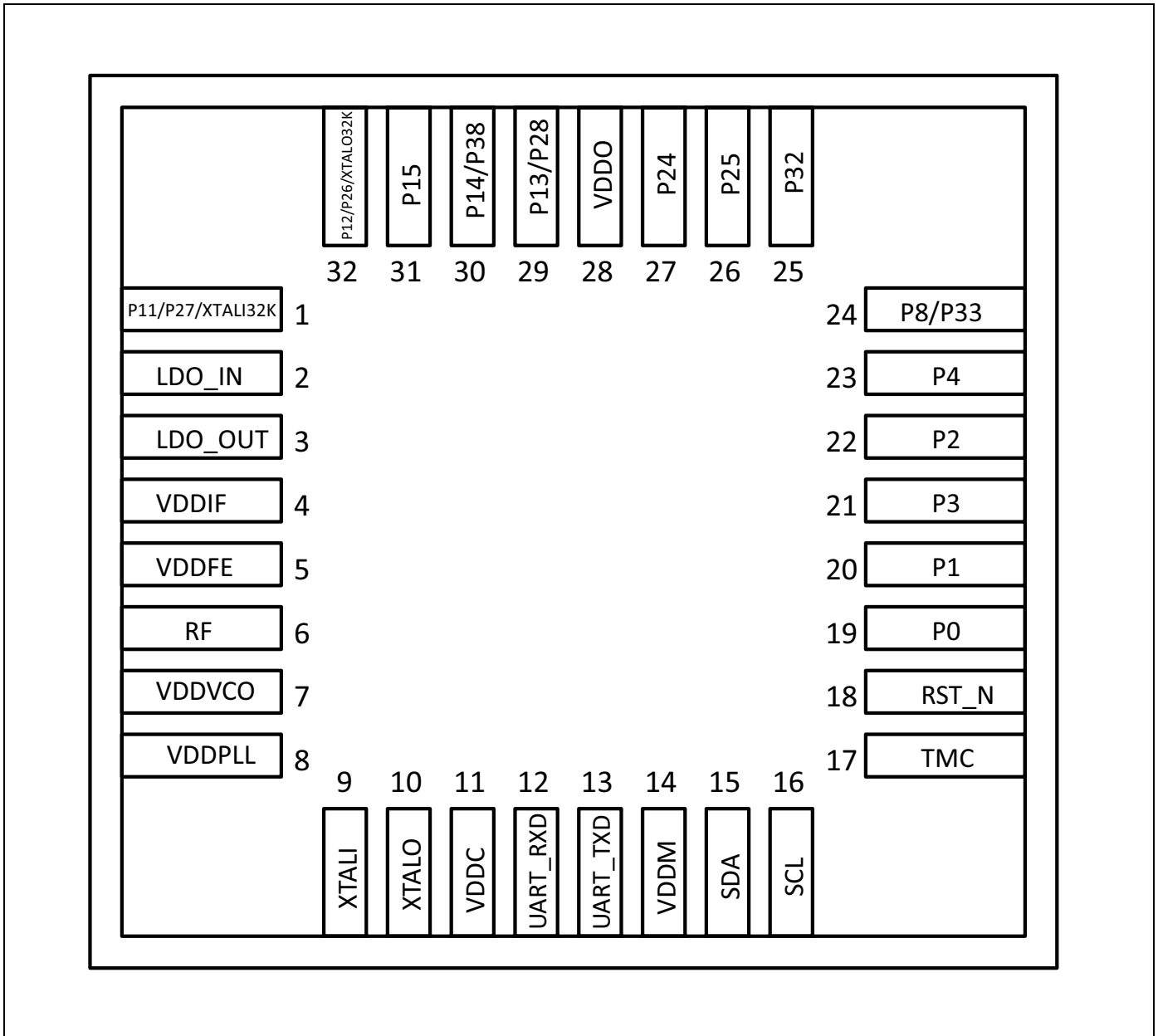


Figure 10. 40-pin QFN Ball Map



Figure 11. 64-pin BGA Ball Map



### 3. Specifications

#### 3.1 Electrical Characteristics

Table 10 shows the maximum electrical rating for voltages referenced to VDD pin.

**Table 10. Maximum Electrical Rating**

| Rating  | Symbol           | Value  | Unit |
|---|------------------|--|------|
| DC supply voltage for RF domain                           | –                | 1.4  | V    |
| DC supply voltage for core domain                         | –                | 1.4  | V    |
| DC supply voltage for VDDM domain (UART/I <sup>2</sup> C) | –                | 3.8  | V    |
| DC supply voltage for VDDO domain                         | –                | 3.8  | V    |
| DC supply voltage for VR3V                                | –                | 3.8  | V    |
| DC supply voltage for VDDFE                               | –                | 1.4  | V    |
| Voltage on input or output pin                            | –                | V <sub>SS</sub> – 0.3 to V <sub>DD</sub> + 0.3 | V    |
| Operating ambient temperature range                       | T <sub>opr</sub> | 0 to +70                                       | °C   |
| Storage temperature range                                 | T <sub>stg</sub> | –40 to +125                                    | °C   |

Table 11 shows the power supply characteristics for the range T<sub>J</sub> = 0 to 125°C.

**Table 11. Power Supply**

| Parameter  | Minimum <sup>a</sup> | Typical          | Maximum <sup>a</sup> | Unit |
|--|----------------------|------------------|----------------------|------|
| DC supply voltage for RF                           | 1.14                 | 1.2              | 1.26                 | V    |
| DC supply voltage for Core                         | 1.14                 | 1.2              | 1.26                 | V    |
| DC supply voltage for VDDM (UART/I <sup>2</sup> C) | 1.62                 | –                | 3.63                 | V    |
| DC supply voltage for VDDO                         | 1.62                 | –                | 3.63                 | V    |
| DC supply voltage for LDOIN                        | 1.425                | –                | 3.63                 | V    |
| DC supply voltage for VDDFE                        | 1.14                 | 1.2 <sup>b</sup> | 1.26                 | V    |
| Supply noise for VDDO (peak-to-peak)               | –                    | –                | 100                  | mV   |
| Supply noise for LDOIN (peak-to-peak)              | –                    | –                | 100                  | mV   |

a. Overall performance degrades beyond minimum and maximum supply voltages.

b. 1.2V for Class 2 output with internal VREG.

Table 13 shows the digital level characteristics for (VSS = 0V).

**Table 12. LDO Regulator Electrical Specifications**

| Parameter              | Conditions   | Min   | Typ      | Max  | Unit                |
|------------------------|--|-------|----------|------|---------------------|
| Input voltage range    | –  | 1.425 | –        | 3.63 | V                   |
| Default output voltage | –  | –     | 1.2      | –    | V                   |
| Output voltage         | Range  | 0.8   | –        | 1.4  | V                   |
|                        | Step size  | –     | 40 or 80 | –    | mV                  |
|                        | Accuracy at any step   | –5    | –        | +5   | %                   |
| Load current           | –  | –     | –        | 30   | mA                  |
| Line regulation        | V <sub>in</sub> from 1.425 to 3.63V, I <sub>load</sub> = 30 mA                 | –0.2  | –        | 0.2  | %V <sub>O</sub> /V  |
| Load regulation        | I <sub>load</sub> from 1 μA to 30 mA, V <sub>in</sub> = 3.3V, Bonding R = 0.3Ω | –     | 0.1      | 0.2  | %V <sub>O</sub> /mA |
| Quiescent current      | No load @V <sub>in</sub> = 3.3V<br>*Current limit enabled                      | –     | 6        | –    | μA                  |
| Power-down current     | V <sub>in</sub> = 3.3V, worst@70°C   | –     | 5        | 200  | nA                  |

**Table 13. ADC Specifications**

| Parameter                              | Symbol               | Conditions                                  | Min   | Typ                   | Max    | Unit             |
|--|----------------------|---|-------|-----------------------|--------|------------------|
| <b>ADC Characteristics</b>             |                      |   |       |                       |        |                  |
| Number of Input channels               | –                    | –   | –     | 28                    | –      | –                |
| Channel switching rate                 | f <sub>ch</sub>      | –   | –     | –                     | 133.33 | kch/s            |
| Input signal range                     | V <sub>inp</sub>     | –   | 0     | –                     | 3.63   | V                |
| Reference settling time                | –                    | Changing refsel                             | 7.5   | –                     | –      | μs               |
| Input resistance                       | R <sub>inp</sub>     | Effective, single-ended                     | –     | 500                   | –      | kΩ               |
| Input capacitance                      | C <sub>inp</sub>     | –   | –     | –                     | 5      | pF               |
| Conversion rate                        | f <sub>C</sub>       | –   | 5.859 | –                     | 187    | kHz              |
| Conversion time                        | T <sub>C</sub>       | –   | 5.35  | –                     | 170.7  | μs               |
| Resolution                             | R                    | –   | –     | 16                    | –      | bits             |
| Effective number of bits               | –                    | –   | –     | See Table 2 on page 9 | –      |                  |
| Absolute voltage measurement error     | –                    | Using on-chip ADC firmware driver           | –     | ±2                    | –      | %                |
| Current                                | I                    | I <sub>avdd1p2</sub> + I <sub>avdd3p3</sub> | –     | –                     | 1      | mA               |
| Power                                  | P                    | –   | –     | 1.5                   | –      | mW               |
| Leakage current                        | I <sub>leakage</sub> | T = 25°C                                    | –     | –                     | 100    | nA               |
| Power-up time                          | T <sub>powerup</sub> | –   | –     | –                     | 200    | μs               |
| Integral nonlinearity <sup>3</sup>     | INL                  | –   | –1    | –                     | 1      | LSB <sup>a</sup> |
| Differential nonlinearity <sup>a</sup> | DNL                  | –   | –1    | –                     | 1      | LSB <sup>a</sup> |

a. LSBs are expressed at the 10-bit level.



**Table 14. Digital Level<sup>a</sup>**

| Characteristics                   | Symbol          | Min         | Typ  | Max | Unit |
|-----------------------------------|-----------------|-------------|------|-----|------|
| Input low voltage                 | V <sub>IL</sub> | –           | –    | 0.4 | V    |
| Input high voltage                | V <sub>IH</sub> | 0.75 × VDDO | –    | –   | V    |
| Input low voltage (VDDO = 1.62V)  | V <sub>IL</sub> | –           | –    | 0.4 | V    |
| Input high voltage (VDDO = 1.62V) | V <sub>IH</sub> | 1.2         | –    | –   | V    |
| Output low voltage <sup>b</sup>   | V <sub>OL</sub> | –           | –    | 0.4 | V    |
| Output high voltage <sup>b</sup>  | V <sub>OH</sub> | VDDO – 0.4  | –    | –   | V    |
| Input capacitance (VDDMEM domain) | C <sub>IN</sub> | –           | 0.12 | –   | pF   |

- a. This table is also applicable to VDDMEM domain.  
 b. At the specified drive current for the pad.

**Table 15. Current Consumption<sup>a</sup>**

| Operational Mode     | Conditions   | Typ   | Max                      | Unit |
|----------------------|--|-------|--------------------------|------|
| Receive              | Receiver and baseband are both operating, 100% ON.   | –     | 26.6                     | mA   |
| Transmit             | Transmitter and baseband are both operating, 100% ON.  | –     | 24 at 2 dBm, 19 at 0 dBm | mA   |
| DM1                  | Average current when the device is in the transmit state, 100% utilization of available slots. | 15.2  | –                        | mA   |
| DH1                  | Average current when the device is in the receive state, 100% utilization of available slots.  | 16.67 | –                        | mA   |
| Sleep                | Internal LPO is in use.  | 28.4  | –                        | μA   |
| HIDOFF               | –  | 1.5   | –                        | μA   |
| Sniff mode, 11.25 ms | Slave  | 2.8   | –                        | mA   |
| Sniff mode, 22.5 ms  | Slave  | 1.27  | –                        | mA   |
| Sniff mode, 60 ms    | Slave  | 750   | –                        | μA   |
| Sniff mode, 100 ms   | Slave  | 500   | –                        | μA   |
| Sniff mode, 495 ms   | Slave  | 125   | –                        | μA   |

- a. Current consumption measurements are taken at VBAT with the assumption that VBAT is connected to VDDIO and LDOIN.

**Caution:** This device is susceptible to permanent damage from electrostatic discharge (ESD). Proper precautions are required during handling and mounting to avoid excessive ESD.

**Table 16. ESD Tolerance**

| Model                      | Tolerance |
|----------------------------|-----------|
| Human Body Model (HBM)     | ± 2000V   |
| Charged Device Model (CDM) | ± 400V    |
| Machine Model (MM)         | ± 150V    |

### 3.2 RF Specifications

Table 17. Receiver RF Specifications

| Parameter  | Mode and Conditions        | Min  | Typ   | Max   | Unit |
|--|----------------------------|------|-------|-------|------|
| <b>Receiver Section</b>                                  |                            |      |       |       |      |
| Frequency range  | –                          | 2402 | –     | 2480  | MHz  |
| RX sensitivity (standard)                                | GFSK, 0.1%BER, 1 Mbps      | –    | –88.0 | –84.0 | dBm  |
| RX sensitivity (low current)                             |                            | –    | –84.0 | –     | dBm  |
| Input IP3  | –                          | –16  | –     | –     | dBm  |
| Maximum input  | –                          | –10  | –     | –     | dBm  |
| <b>Interference Performance</b>                          |                            |      |       |       |      |
| C/I cochannel  | GFSK, 0.1%BER <sup>a</sup> | –    | –     | 11.0  | dB   |
| C/I 1 MHz adjacent channel                               | GFSK, 0.1%BER <sup>a</sup> | –    | –     | 0.0   | dB   |
| C/I 2 MHz adjacent channel                               | GFSK, 0.1%BER <sup>a</sup> | –    | –     | –30.0 | dB   |
| C/I ≥ 3 MHz adjacent channel                             | GFSK, 0.1%BER <sup>b</sup> | –    | –     | –40.0 | dB   |
| C/I image channel  | GFSK, 0.1%BER <sup>a</sup> | –    | –     | –9.0  | dB   |
| C/I 1 MHz adjacent to image channel                      | GFSK, 0.1%BER <sup>a</sup> | –    | –     | –20.0 | dB   |
| <b>Out-of-Band Blocking Performance (CW)<sup>b</sup></b> |                            |      |       |       |      |
| 30 MHz to 2000 MHz                                       | 0.1%BER                    | –    | –10.0 | –     | dBm  |
| 2000 MHz to 2399 MHz                                     | 0.1%BER                    | –    | –27   | –     | dBm  |
| 2498 MHz to 3000 MHz                                     | 0.1%BER                    | –    | –27   | –     | dBm  |
| 3000 MHz to 12.75 GHz                                    | 0.1%BER                    | –    | –10.0 | –     | dBm  |
| <b>Spurious Emissions</b>                                |                            |      |       |       |      |
| 30 MHz to 1 GHz  | –                          | –    | –     | –57.0 | dBm  |
| 1 GHz to 12.75 GHz                                       | –                          | –    | –     | –55.0 | dBm  |

a. Desired signal is 10 dB above the reference sensitivity level (defined as –70 dBm).

b. Desired signal is 3 dB above the reference sensitivity level (defined as –70 dBm).

**Table 18. Transmitter RF Specifications**

| Parameter   | Min  | Typ | Max   | Unit           |
|---|------|-----|-------|----------------|
| <b>Transmitter Section</b>                                  |      |     |       |                |
| Frequency range   | 2402 | –   | 2480  | MHz            |
| Output power adjustment range                               | –6.0 | –   | 4.0   | dBm            |
| Default output power  | –    | 4.0 | –     | dBm            |
| Output power variation                                      | –    | 2.0 | –     | dB             |
| 20 dB bandwidth   | –    | 900 | 1000  | kHz            |
| <b>Adjacent Channel Power</b>                               |      |     |       |                |
| $ M - N  = 2$   | –    | –   | –20   | dBm            |
| $ M - N  \geq 3$  | –    | –   | –40   | dBm            |
| <b>Out-of-Band Spurious Emission</b>                        |      |     |       |                |
| 30 MHz to 1 GHz   | –    | –   | –36.0 | dBm            |
| 1 GHz to 12.75 GHz  | –    | –   | –30.0 | dBm            |
| 1.8 GHz to 1.9 GHz  | –    | –   | –47.0 | dBm            |
| 5.15 GHz to 5.3 GHz   | –    | –   | –47.0 | dBm            |
| <b>LO Performance</b>                                       |      |     |       |                |
| Initial carrier frequency tolerance                         | –    | –   | ±75   | kHz            |
| <b>Frequency Drift</b>                                      |      |     |       |                |
| DH1 packet  | –    | –   | ±25   | kHz            |
| DH3 packet  | –    | –   | ±40   | kHz            |
| DH5 packet  | –    | –   | ±40   | kHz            |
| Drift rate  | –    | –   | 20    | kHz/50 $\mu$ s |
| <b>Frequency Deviation</b>                                  |      |     |       |                |
| Average deviation in payload<br>(sequence used is 00001111) | 140  | –   | 175   | kHz            |
| Maximum deviation in payload<br>(sequence used is 10101010) | 115  | –   | –     | kHz            |
| Channel spacing   | –    | 1   | –     | MHz            |

### 3.3 Timing and AC Characteristics

In this section, use the numbers listed in the **Reference** column of each table to interpret the following timing diagrams.

#### 3.3.1 UART Timing

**Table 19. UART Timing Specifications**

| Reference | Characteristics   | Min | Max | Unit            |
|-----------|---|-----|-----|-----------------|
| 1         | Delay time, UART_CTS_N low to UART_TXD valid            | –   | 24  | Baud out cycles |
| 2         | Setup time, UART_CTS_N high before midpoint of stop bit | –   | 10  | ns              |
| 3         | Delay time, midpoint of stop bit to UART_RTS_N high     | –   | 2   | Baud out cycles |

**Figure 12. UART Timing**



### 3.3.2 SPI Timing

The SPI interface supports clock speeds up to 12 MHz with VDDIO ≥ 2.2V. The supported clock speed is 6 MHz when 2.2V ≥ VDDIO ≥ 1.62V.

Figure 13 shows the timing diagram. SPI timing values for different values of SCLK and VDDM are shown in Table 20, Table 21 on page 38, Table 22 on page 38, Table 23 on page 39.

Figure 13. SPI Timing Diagram



Table 20. SPI1 Timing Values—SCLK = 12 MHz and VDDM = 3.2V<sup>a</sup>

| Reference      | Characteristics  | Symbol | Min                           | Typical <sup>b</sup> | Max | Unit |
|----------------|--|--------|-------------------------------|----------------------|-----|------|
| 1              | Output setup time, from MOSI data valid to sample edge of SCLK | Tds_mo | –                             | 20                   | –   | ns   |
| 2              | Output hold time, from sample edge of SCLK to MOSI data update | Tdh_mo | –                             | 63                   | –   | ns   |
| 3              | Input setup time, from MISO data valid to sample edge of SCLK  | Tds_mi | –                             | TBD                  | –   | ns   |
| 4              | Input hold time, from sample edge of SCLK to MISO data update  | Tdh_mi | –                             | TBD                  | –   | ns   |
| 5 <sup>c</sup> | Time from CS assert to first SCLK edge                         | Tsu_cs | $\frac{1}{2}$ SCLK period – 1 | –                    | –   | ns   |
| 6 <sup>c</sup> | Time from first SCLK edge to CS deassert                       | Thd_cs | $\frac{1}{2}$ SCLK period     | –                    | –   | ns   |

- a. The SCLK period is based on the limitation of Tds\_mi. SCLK is designed for a maximum speed of 12 MHz. The speed can be adjusted to as low as 400 Hz by configuring the firmware.
- b. Typical timing based on 20 pF/1 MΩ load and SCLK = 12 MHz.
- c. CS timing is firmware controlled.

**Table 21. SPI1 Timing Values—SCLK = 6 MHz and VDDM = 1.62V<sup>a</sup>**

| Reference      | Characteristics  | Symbol | Min               | Typical <sup>b</sup> | Max | Unit |
|----------------|--|--------|-------------------|----------------------|-----|------|
| 1              | Output setup time, from MOSI data valid to sample edge of SCLK | Tds_mo | –                 | 41                   | –   | ns   |
| 2              | Output hold time, from sample edge of SCLK to MOSI data update | Tdh_mo | –                 | 120                  | –   | ns   |
| 3              | Input setup time, from MISO data valid to sample edge of SCLK  | Tds_mi | –                 | TBD                  | –   | ns   |
| 4              | Input hold time, from sample edge of SCLK to MISO data update  | Tdh_mi | –                 | TBD                  | –   | ns   |
| 5 <sup>c</sup> | Time from CS assert to first SCLK edge                         | Tsu_cs | ½ SCLK period – 1 | –                    | –   | ns   |
| 6 <sup>c</sup> | Time from first SCLK edge to CS deassert                       | Thd_cs | ½ SCLK period     | –                    | –   | ns   |

- a. The SCLK period is based on the limitation of Tds\_mi. SCLK is designed for a maximum speed of 6 MHz. The speed can be adjusted to as low as 400 Hz by configuring the firmware.
- b. Typical timing based on 20 pF/1 MΩ load and SCLK = 6 MHz.
- c. CS timing is firmware controlled.

**Table 22. SPI2 Timing Values—SCLK = 12 MHz and VDDM = 3.2V<sup>a</sup>**

| Reference      | Characteristics  | Symbol | Min               | Typical <sup>b</sup> | Max | Unit |
|----------------|--|--------|-------------------|----------------------|-----|------|
| 1              | Output setup time, from MOSI data valid to sample edge of SCLK | Tds_mo | –                 | 26                   | –   | ns   |
| 2              | Output hold time, from sample edge of SCLK to MOSI data update | Tdh_mo | –                 | 56                   | –   | ns   |
| 3              | Input setup time, from MISO data valid to sample edge of SCLK  | Tds_mi | –                 | TBD                  | –   | ns   |
| 4              | Input hold time, from sample edge of SCLK to MISO data update  | Tdh_mi | –                 | TBD                  | –   | ns   |
| 5 <sup>c</sup> | Time from CS assert to first SCLK edge                         | Tsu_cs | ½ SCLK period – 1 | –                    | –   | ns   |
| 6 <sup>c</sup> | Time from first SCLK edge to CS deassert                       | Thd_cs | ½ SCLK period     | –                    | –   | ns   |

- a. The SCLK period is based on the limitation of Tds\_mi. SCLK is designed for a maximum speed of 12 MHz. The speed can be adjusted to as low as 400 Hz by configuring the firmware.
- b. Typical timing based on 20 pF/1 MΩ load and SCLK = 12 MHz.
- c. CS timing is firmware controlled in master mode and can be adjusted as required in slave mode.

**Table 23. SPI2 Timing Values—SCLK = 6 MHz and VDDM = 1.62V<sup>a</sup>**

| Reference      | Characteristics  | Symbol | Min               | Typical <sup>b</sup> | Max | Unit |
|----------------|--|--------|-------------------|----------------------|-----|------|
| 1              | Output setup time, from MOSI data valid to sample edge of SCLK | Tds_mo | –                 | 50                   | –   | ns   |
| 2              | Output hold time, from sample edge of SCLK to MOSI data update | Tdh_mo | –                 | 120                  | –   | ns   |
| 3              | Input setup time, from MISO data valid to sample edge of SCLK  | Tds_mi | –                 | TBD                  | –   | ns   |
| 4              | Input hold time, from sample edge of SCLK to MISO data update  | Tdh_mi | –                 | TBD                  | –   | ns   |
| 5 <sup>c</sup> | Time from CS assert to first SCLK edge                         | Tsu_cs | ½ SCLK period – 1 | –                    | –   | ns   |
| 6 <sup>c</sup> | Time from first SCLK edge to CS deassert                       | Thd_cs | ½ SCLK period     | –                    | –   | ns   |

- a. The SCLK period is based on the limitation of Tds\_mi. SCLK is designed for a maximum speed of 6 MHz. The speed can be adjusted to as low as 400 Hz by configuring the firmware.
- b. Typical timing based on 20 pF//1 MΩ load and SCLK = 6 MHz.
- c. CS timing is firmware controlled in master mode and can be adjusted as required in slave mode.

3.3.3 BSC Interface Timing

Table 24. BSC Interface Timing Specifications

| Reference | Characteristics                   | Min | Max  | Unit |
|-----------|-----------------------------------|-----|------|------|
| 1         | Clock frequency                   | -   | 100  | kHz  |
|           |                                   |     | 400  |      |
|           |                                   |     | 800  |      |
|           |                                   |     | 1000 |      |
| 2         | START condition setup time        | 650 | -    | ns   |
| 3         | START condition hold time         | 280 | -    | ns   |
| 4         | Clock low time                    | 650 | -    | ns   |
| 5         | Clock high time                   | 280 | -    | ns   |
| 6         | Data input hold time <sup>a</sup> | 0   | -    | ns   |
| 7         | Data input setup time             | 100 | -    | ns   |
| 8         | STOP condition setup time         | 280 | -    | ns   |
| 9         | Output valid from clock           | -   | 400  | ns   |
| 10        | Bus free time <sup>b</sup>        | 650 | -    | ns   |

a. As a transmitter, 300 ns of delay is provided to bridge the undefined region of the falling edge of SCL to avoid unintended generation of START or STOP conditions.

b. Time that the bus must be free before a new transaction can start.

Figure 14. BSC Interface Timing Diagram





### 4. Mechanical Information

Figure 15. 32-Pin QFN Package



| DIMENSIONAL REFERENCES (mm) |          |      |      |
|-----------------------------|----------|------|------|
| REF.                        | MIN      | NOM  | MAX  |
| A                           | -        | -    | 1.00 |
| A1                          | 0.00     | 0.02 | 0.05 |
| D                           | 4.90     | 5.00 | 5.10 |
| D1                          | 3.70 BSC |      |      |
| E                           | 4.90     | 5.00 | 5.10 |
| E1                          | 3.70 BSC |      |      |
| b                           | 0.18     | 0.25 | 0.30 |
| e                           | 0.50 BSC |      |      |
| L                           | 0.50     | 0.40 | 0.50 |
| aaa                         | -        | -    | 0.15 |
| bbb                         | -        | -    | 0.10 |
| ccc                         | -        | -    | 0.05 |
| ddd                         | -        | -    | 0.15 |

Filename: MOD-016-1138-000



EXACT SHAPE AND SIZE OF PIN #1 MARKING MAY VARY



APPLIED FOR EXPOSED PAD AND TERMINALS. EXCLUDE EMBEDDING PART OF EXPOSED PAD FROM MEASURING

2. MAX COPLANARITY IS 0.05MM AND APPLIES TO THE EXPOSED PAD AS WELL AS THE LEADS.
1. ALL DIMENSIONS AND TOLERANCES CONFORM TO ASME Y14.5M-1994.

NOTES: UNLESS OTHERWISE SPECIFIED

Figure 16. 40-pin QFN Package



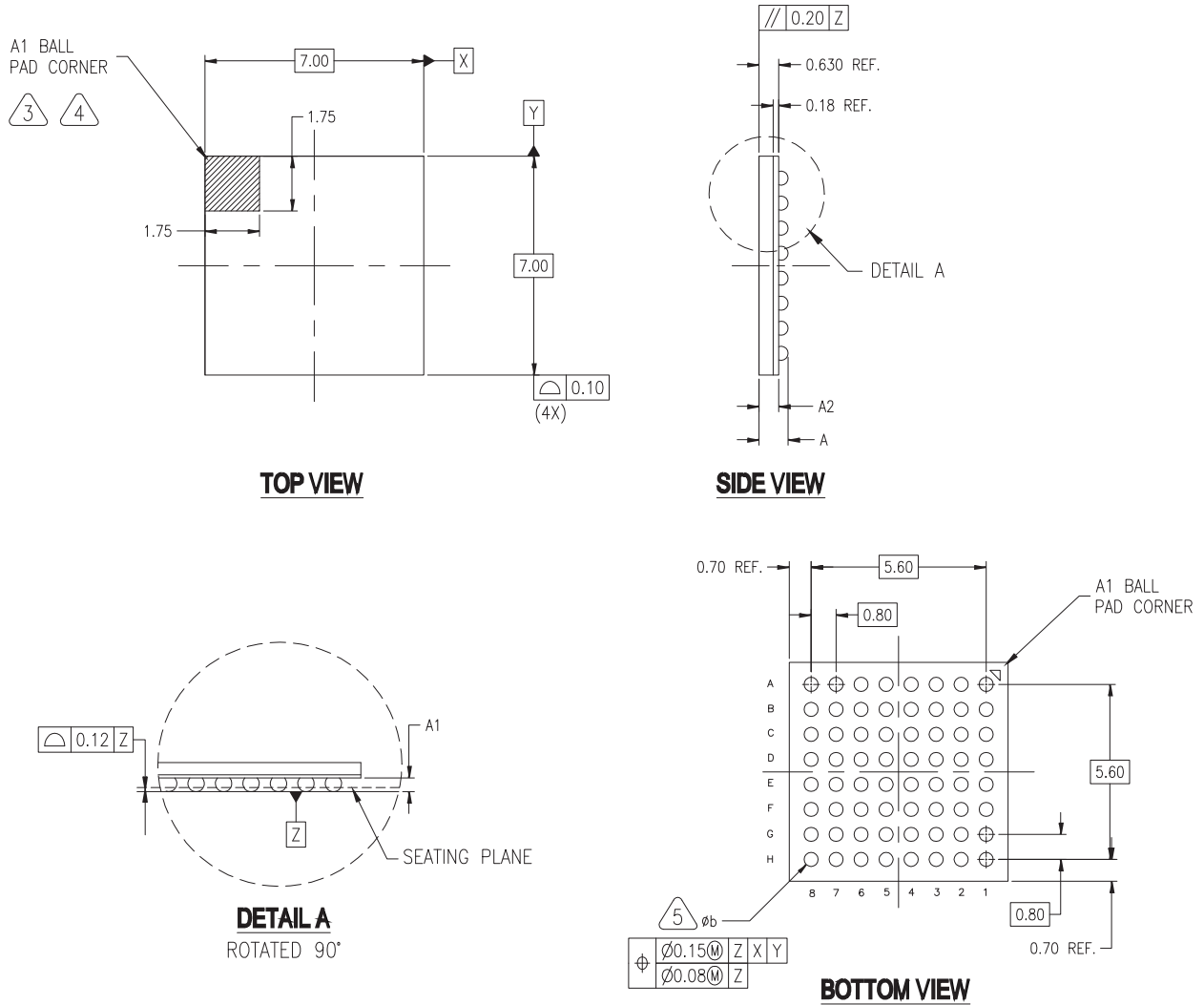
DIMENSION LIST (FOOTPRINT: 0.80)

| S/N | SYM | DIMENSIONS   | REMARKS         |
|-----|-----|--|-----------------|
| 1   | A   | $0.900 \pm 0.100$  | OVERALL HEIGHT  |
| 2   | A1  | $0.020 \begin{smallmatrix} +0.030 \\ -0.020 \end{smallmatrix}$ | STANDOFF        |
| 3   | D   | $6.000 \pm 0.100$  | PKG. LENGTH     |
| 4   | E   | $6.000 \pm 0.100$  | PKG. WIDTH      |
| 5   | L   | $0.400 \pm 0.075$  | FOOT LENGTH     |
| 6   | T   | 0.203 REF  | FRAME THICKNESS |
| 7   | b   | $0.250 \pm 0.050$  | LEAD WIDTH      |
| 8   | e   | 0.500 BASE   | LEAD PITCH      |

NOTES :

| S/N | DESCRIPTION   | SPEC.                     |
|-----|---|---------------------------|
| 1   | GENERAL TOLERANCE.  |                           |
|     | DISTANCE  | $\pm 0.100$               |
|     | ANGLE   | $\pm 2.5^\circ$           |
| 2   | MATTE FINISH ON PACKAGE BODY SURFACE EXCEPT EJECTION AND PIN 1 MARKING. | $Ra\ 0.3 \sim 1.2\ \mu m$ |
| 3   | FRAME BASE METAL THICKNESS  | 0.203 BASE                |
| 4   | ALL MOLDED BODY SHARP CORNER RADII UNLESS OTHERWISE SPECIFIED.          | MAX. $R0.200$             |
| 5   | DRAWING DOES NOT INCLUDE PLASTIC OR METAL PROTRUSION OR CUTTING BURR.   |                           |
| 6   | COMPLIANT TO JEDEC STANDARD: M0-220                                     |                           |

Figure 17. 64-pin FBGA Package



| DIMENSION          | MINIMUM | NOMINAL | MAXIMUM |
|--------------------|---------|---------|---------|
| A                  | --      | 0.93    | 1.00    |
| A1                 | 0.25    | 0.30    | 0.35    |
| A2                 | 0.56    | 0.63    | 0.70    |
| b                  | 0.40    | 0.45    | 0.50    |
| NUMBER OF BALLS 64 |         |         |         |

1. ALL DIMENSIONS AND TOLERANCE CONFORM TO ASME Y14.5M-1994.
2. TERMINAL POSITIONS DESIGNATION PER JEDEC 95-1, SPP-010.
3. CORNER DETAILS PER STATS ChipPAC OPTION.
4. PIN 1 IDENTIFIER CAN BE CHAMFER, INK MARK, METALLIZED MARK OR SHINY DOT, MUST BE BUT LOCATED WITHIN ZONE INDICATED.
5. DIMENSION "b" IS MEASURED AT THE MAXIMUM SOLDER BALL DIAMETER PARALLEL TO PRIMARY DATUM Z.
6. COMPLIANT TO JEDEC REGISTERED OUTLINE MO-192, VARIATION DAG-1 WITH EXCEPTION TO MOLD SURFACE FLATNESS AND OTHER GD&T CONTROL.
7. RAW SOLDER BALL SIZE DURING ASSEMBLY IS  $\phi 0.40\text{mm}$ .

4.1 Tape Reel and Packaging Specifications

Table 25. CYW20730 5 × 5 × 1 mm QFN, 32-Pin Tape Reel Specifications

| Parameter         | Value       |
|-------------------|-------------|
| Quantity per reel | 2500 pieces |
| Reel diameter     | 13 inches   |
| Hub diameter      | 7 inches    |
| Tape width        | 12 mm       |
| Tape pitch        | 8 mm        |

Table 26. CYW20730 6 × 6 × 1 mm QFN, 40-Pin Tape Reel Specifications

| Parameter         | Value       |
|-------------------|-------------|
| Quantity per reel | 4000 pieces |
| Reel diameter     | 13 inches   |
| Hub diameter      | 4 inches    |
| Tape width        | 16 mm       |
| Tape pitch        | 12 mm       |

Table 27. CYW20730 7 × 7 × 0.8 mm WFBGA, 64-Pin Tape Reel Specifications

| Parameter         | Value       |
|-------------------|-------------|
| Quantity per reel | 2500 pieces |
| Reel diameter     | 13 inches   |
| Hub diameter      | 4 inches    |
| Tape width        | 16 mm       |
| Tape pitch        | 12 mm       |

The top left corner of the CYW20730 package is situated near the sprocket holes, as shown in Figure 18.

Figure 18. Pin 1 Orientation



## 5. Ordering Information

**Table 28. Ordering Information**

| <b>Part Number</b> | <b>Package</b> | <b>Ambient Operating Temperature</b> |
|--------------------|----------------|--------------------------------------|
| CYW20730A2KML2G    | 32-pin QFN     | 0°C to 70°C                          |
| CYW20730A2KMLG     | 40-pin QFN     | 0°C to 70°C                          |
| CYW20730A2KFBG     | 64-pin BGA     | 0°C to 70°C                          |
| CYW20730A1KML2G    | 32-pin QFN     | 0°C to 70°C                          |
| CYW20730A1KMLG     | 40-pin QFN     | 0°C to 70°C                          |
| CYW20730A1KFBG     | 64-pin BGA     | 0°C to 70°C                          |

## A. Appendix: Acronyms and Abbreviations

The following list of acronyms and abbreviations may appear in this document.

| Term        | Description  |
|-------------|--|
| ADC         | analog-to-digital converter  |
| AFH         | adaptive frequency hopping   |
| AHB         | advanced high-performance bus  |
| APB         | advanced peripheral bus  |
| APU         | audio processing unit  |
| ARM7TDMI-S™ | Acorn RISC Machine 7 Thumb instruction, Debugger, Multiplier, Ice, Synthesizable |
| BSC         | Broadcom Serial Control  |
| BTC         | Bluetooth controller   |
| COEX        | coexistence  |
| DFU         | device firmware update   |
| DMA         | direct memory access   |
| EBI         | external bus interface   |
| HCI         | Host Control Interface   |
| HV          | high voltage   |
| IDC         | initial digital calibration  |
| IF          | intermediate frequency   |
| IRQ         | interrupt request  |
| JTAG        | Joint Test Action Group  |
| LCU         | link control unit  |
| LDO         | low drop-out   |
| LHL         | lean high land   |
| LPO         | low power oscillator   |
| LV          | LogicVision™   |
| MIA         | multiple interface agent   |
| PCM         | pulse code modulation  |
| PLL         | phase locked loop  |
| PMU         | power management unit  |
| POR         | power-on reset   |
| PWM         | pulse width modulation   |
| QD          | quadrature decoder   |
| RAM         | random access memory   |
| RF          | radio frequency  |
| ROM         | read-only memory   |
| RX/TX       | receive, transmit  |
| SPI         | serial peripheral interface  |
| SW          | software   |
| UART        | universal asynchronous receiver/transmitter                                      |
| UPI         | μ-processor interface  |

| Term | Description |
|------|-------------|
| WD   | watchdog    |

**A.1 References**

The references in this section may be used in conjunction with this document.

**Note:** Cypress provides customer access to technical documentation and software through its Customer Support Portal (CSP) and Downloads & Support site (see [IoT Resources on page 3](#)).

For documents, replace the “x” in the document number with the largest number available in the repository to ensure that you have the most current version of the document.

| Document Name   | Broadcom Number | Cypress Number |
|---|-----------------|----------------|
| <b>Items</b>  |                 |                |
| [1] Single-Chip Bluetooth® Transceiver and Baseband Processor | 20702-DS10x-R   | 002-14772      |

Document History

| Document Title: CYW20730 Single-Chip Bluetooth Transceiver for Wireless Input Devices |     |                 |                 |   |
|---|-----|-----------------|-----------------|---|
| Document Number: 002-14824  |     |                 |                 |   |
| Revision  | ECN | Orig. of Change | Submission Date | Description of Change   |
| **  | -   | -               | 04/27/2010      | 20730-DS100-RI:<br>Initial release  |
| *A  | -   | -               | 06/25/2010      | 20730-DS101-R:<br>Added:<br><ul style="list-style-type: none"> <li>• “Shutter Control for 3D Glasses” on page 10.</li> <li>• “Infrared Modulator” on page 10.</li> <li>• “Infrared Learning” on page 11.</li> <li>• “Triac Control” on page 12.</li> <li>• “Broadcom Proprietary Control Signalling and Triggered Baseband Fast Connect” on page 12.</li> <li>• Figure 5: “Internal Reset Timing,” on page 17.</li> <li>• Figure 6: “External Reset Timing,” on page 17.</li> <li>• Figure 10: “40-pin QFN Ball Map,” on page 33.</li> <li>• Figure 11: “64-pin BGA Ball Map,” on page 34.</li> <li>• “SPI Timing” on page 41.</li> <li>• Figure 16: “40-pin QFN,” on page 44.</li> <li>• Figure 17: “64-pin FBGA,” on page 45.</li> </ul> Revised:<br><ul style="list-style-type: none"> <li>• “Microprocessor Unit” on page 16.</li> <li>• Table 6: “Pin Descriptions,” on page 25.</li> <li>• Table 11: “ADC Specifications,” on page 36.</li> <li>• Table 14: “Receiver RF Specifications,” on page 38.</li> <li>• Table 15: “Transmitter RF Specifications,” on page 39.</li> <li>• Table 21: “Ordering Information,” on page 50.</li> </ul>   |
| *B  | -   | -               | 03/23/2011      | 20730-DS102-R:<br>Added:<br><ul style="list-style-type: none"> <li>• Table 1: “ADC Modes,” on page 18</li> </ul> Revised:<br><ul style="list-style-type: none"> <li>• Figure 1: “Functional Block Diagram,” on page 2</li> <li>• “ADC Port” on page 17</li> <li>• “Internal LDO Regulator” on page 22</li> <li>• “UART Interface” on page 23</li> <li>• Table 6: “XTAL Oscillator Characteristics,” on page 25</li> <li>• Table 8: “GPIO Pin Descriptions,” on page 30</li> <li>• Table 10: “Power Supply,” on page 39</li> <li>• Table 11: “LDO Regulator Electrical Specifications,” on page 40</li> <li>• Table 12: “ADC Specifications,” on page 41</li> <li>• Table 14: “Current Consumption,” on page 42</li> <li>• Table 15: “Receiver RF Specifications,” on page 43</li> <li>• Table 16: “Transmitter RF Specifications,” on page 44</li> <li>• Table 18: “SPI Interface Timing Specifications,” on page 46</li> <li>• Table 21: “BCM20730 6 × 6 × 1 mm QFN, 40-Pin Tape Reel Specifications,” on page 52</li> <li>• Table 22: “BCM20730 7 × 7 × .8 mm WFBGA, 64-Pin Tape Reel Specifications,” on page 52</li> </ul> Deleted:<br><ul style="list-style-type: none"> <li>• Placeholder for Figure 4: Triac Control</li> <li>• Placeholder for Figure 18: BCM20730, 6 x 6 QFN Package Tray</li> <li>• Placeholder for Figure 19: BCM20730, 7 x 7 FBGA Package Tray</li> </ul> |
| *C  | -   | -               | 04/06/2011      | 20730-DS103-R:<br>Revised:<br><ul style="list-style-type: none"> <li>• Table 14: “Current Consumption,” on page 42</li> <li>• Table 23: “Ordering Information,” on page 54</li> </ul>   |
| *D  | -   | -               | 05/09/2011      | 20730-DS104-R:<br>Revised:<br><ul style="list-style-type: none"> <li>• Figure 1: “Functional Block Diagram,” on page 2</li> <li>• “ADC Port” on page 17</li> <li>• Table 10: “Power Supply,” on page 39</li> </ul>  |



| Document Title: CYW20730 Single-Chip Bluetooth Transceiver for Wireless Input Devices |         |                 |                 |  |
|---|---------|-----------------|-----------------|--|
| Document Number: 002-14824  |         |                 |                 |  |
| Revision  | ECN     | Orig. of Change | Submission Date | Description of Change  |
| *E  | -       | -               | 06/29/2011      | 20730-DS105-R:<br>Added: <ul style="list-style-type: none"> <li>Figure 9: "32-Pin QFN Ball Map," on page 39</li> <li>Figure 16: "32-Pin QFN Package," on page 52</li> <li>Table 20: "BCM20730 5 × 5 × 1 mm QFN, 32-Pin Tape Reel Specifications," on page 55</li> </ul> Revised: <ul style="list-style-type: none"> <li>General Description and Features on Cover</li> <li>Figure 1: "Functional Block Diagram," on page 2</li> <li>"ADC Port" on page 17</li> <li>Table 2: "BCM20730 First SPI Set (Master Mode)," on page 18</li> <li>Table 2: "BCM20730 First SPI Set (Master Mode)," on page 18</li> <li>Table 2: "BCM20730 First SPI Set (Master Mode)," on page 18</li> <li>Figure 5: "External Reset Timing," on page 22</li> <li>"GPIO Port" on page 27</li> <li>"BBC Power Management" on page 29</li> <li>Table 7: "Pin Descriptions," on page 30</li> <li>Table 8: "GPIO Pin Descriptions," on page 32</li> <li>Table 12: "ADC Specifications," on page 44</li> </ul> |
| *F  | -       | -               | 09/20/2011      | 20730-DS106-R:<br>Changed from a Preliminary Data Sheet to a Data Sheet.   |
| *G  | -       | -               | 10/10/2012      | 20730-DS107-R:<br>Revised: <ul style="list-style-type: none"> <li>"SPI Timing" on page 49</li> </ul>   |
| *H  | -       | -               | 09/09/2013      | 20730-DS108-R:<br>Revised: <ul style="list-style-type: none"> <li>&lt;Cross-Ref&gt;Section 1.3: "Shutter Control for 3D Glasses," on page 6</li> <li>Table 28, "Ordering Information," on page 45</li> </ul> Added: <ul style="list-style-type: none"> <li>Table 16, "ESD Tolerance," on page 33</li> </ul>  |
| *I  | 5522944 | UTSV            | 11/16/2016      | Updated to Cypress template  |
| *J  | 5700376 | AESATMP7        | 04/25/2017      | Updated Cypress Logo and Copyright.  |

## Sales, Solutions, and Legal Information

### Worldwide Sales and Design Support

Cypress maintains a worldwide network of offices, solution centers, manufacturer's representatives, and distributors. To find the office closest to you, visit us at [Cypress Locations](#).

#### Products

|                               |  |
|-------------------------------|--|
| ARM® Cortex® Microcontrollers | <a href="http://cypress.com/arm">cypress.com/arm</a>               |
| Automotive                    | <a href="http://cypress.com/automotive">cypress.com/automotive</a> |
| Clocks & Buffers              | <a href="http://cypress.com/clocks">cypress.com/clocks</a>         |
| Interface                     | <a href="http://cypress.com/interface">cypress.com/interface</a>   |
| Internet of Things            | <a href="http://cypress.com/iot">cypress.com/iot</a>               |
| Lighting & Power Control      | <a href="http://cypress.com/powerpsoc">cypress.com/powerpsoc</a>   |
| Memory                        | <a href="http://cypress.com/memory">cypress.com/memory</a>         |
| PSoC                          | <a href="http://cypress.com/psoc">cypress.com/psoc</a>             |
| Touch Sensing                 | <a href="http://cypress.com/touch">cypress.com/touch</a>           |
| USB Controllers               | <a href="http://cypress.com/usb">cypress.com/usb</a>               |
| Wireless/RF                   | <a href="http://cypress.com/wireless">cypress.com/wireless</a>     |

#### PSoC® Solutions

[PSoC 1](#) | [PSoC 3](#) | [PSoC 4](#) | [PSoC 5LP](#) | [PSoC 6](#)

#### Cypress Developer Community

[Forums](#) | [WICED IoT Forums](#) | [Projects](#) | [Video](#) | [Blogs](#) | [Training](#) | [Components](#)

#### Technical Support

[cypress.com/support](http://cypress.com/support)

---

© Cypress Semiconductor Corporation, 2010-2017. This document is the property of Cypress Semiconductor Corporation and its subsidiaries, including Spansion LLC ("Cypress"). This document, including any software or firmware included or referenced in this document ("Software"), is owned by Cypress under the intellectual property laws and treaties of the United States and other countries worldwide. Cypress reserves all rights under such laws and treaties and does not, except as specifically stated in this paragraph, grant any license under its patents, copyrights, trademarks, or other intellectual property rights. If the Software is not accompanied by a license agreement and you do not otherwise have a written agreement with Cypress governing the use of the Software, then Cypress hereby grants you a personal, non-exclusive, nontransferable license (without the right to sublicense) (1) under its copyright rights in the Software (a) for Software provided in source code form, to modify and reproduce the Software solely for use with Cypress hardware products, only internally within your organization, and (b) to distribute the Software in binary code form externally to end users (either directly or indirectly through resellers and distributors), solely for use on Cypress hardware product units, and (2) under those claims of Cypress's patents that are infringed by the Software (as provided by Cypress, unmodified) to make, use, distribute, and import the Software solely for use with Cypress hardware products. Any other use, reproduction, modification, translation, or compilation of the Software is prohibited.

TO THE EXTENT PERMITTED BY APPLICABLE LAW, CYPRESS MAKES NO WARRANTY OF ANY KIND, EXPRESS OR IMPLIED, WITH REGARD TO THIS DOCUMENT OR ANY SOFTWARE OR ACCOMPANYING HARDWARE, INCLUDING, BUT NOT LIMITED TO, THE IMPLIED WARRANTIES OF MERCHANTABILITY AND FITNESS FOR A PARTICULAR PURPOSE. To the extent permitted by applicable law, Cypress reserves the right to make changes to this document without further notice. Cypress does not assume any liability arising out of the application or use of any product or circuit described in this document. Any information provided in this document, including any sample design information or programming code, is provided only for reference purposes. It is the responsibility of the user of this document to properly design, program, and test the functionality and safety of any application made of this information and any resulting product. Cypress products are not designed, intended, or authorized for use as critical components in systems designed or intended for the operation of weapons, weapons systems, nuclear installations, life-support devices or systems, other medical devices or systems (including resuscitation equipment and surgical implants), pollution control or hazardous substances management, or other uses where the failure of the device or system could cause personal injury, death, or property damage ("Unintended Uses"). A critical component is any component of a device or system whose failure to perform can be reasonably expected to cause the failure of the device or system, or to affect its safety or effectiveness. Cypress is not liable, in whole or in part, and you shall and hereby do release Cypress from any claim, damage, or other liability arising from or related to all Unintended Uses of Cypress products. You shall indemnify and hold Cypress harmless from and against all claims, costs, damages, and other liabilities, including claims for personal injury or death, arising from or related to any Unintended Uses of Cypress products.

Cypress, the Cypress logo, Spansion, the Spansion logo, and combinations thereof, WICED, PSoC, CapSense, EZ-USB, F-RAM, and Traveo are trademarks or registered trademarks of Cypress in the United States and other countries. For a more complete list of Cypress trademarks, visit [cypress.com](http://cypress.com). Other names and brands may be claimed as property of their respective owners.

## Данный компонент на территории Российской Федерации

### Вы можете приобрести в компании MosChip.

Для оперативного оформления запроса Вам необходимо перейти по данной ссылке:

<http://moschip.ru/get-element>

Вы можете разместить у нас заказ для любого Вашего проекта, будь то серийное производство или разработка единичного прибора.

В нашем ассортименте представлены ведущие мировые производители активных и пассивных электронных компонентов.

Нашей специализацией является поставка электронной компонентной базы двойного назначения, продукции таких производителей как XILINX, Intel (ex.ALTERA), Vicor, Microchip, Texas Instruments, Analog Devices, Mini-Circuits, Amphenol, Glenair.

Сотрудничество с глобальными дистрибьюторами электронных компонентов, предоставляет возможность заказывать и получать с международных складов практически любой перечень компонентов в оптимальные для Вас сроки.

На всех этапах разработки и производства наши партнеры могут получить квалифицированную поддержку опытных инженеров.

Система менеджмента качества компании отвечает требованиям в соответствии с ГОСТ Р ИСО 9001, ГОСТ РВ 0015-002 и ЭС РД 009

### Офис по работе с юридическими лицами:

105318, г.Москва, ул.Щербаковская д.3, офис 1107, 1118, ДЦ «Щербаковский»

Телефон: +7 495 668-12-70 (многоканальный)

Факс: +7 495 668-12-70 (доб.304)

E-mail: [info@moschip.ru](mailto:info@moschip.ru)

Skype отдела продаж:

moschip.ru

moschip.ru\_4

moschip.ru\_6

moschip.ru\_9