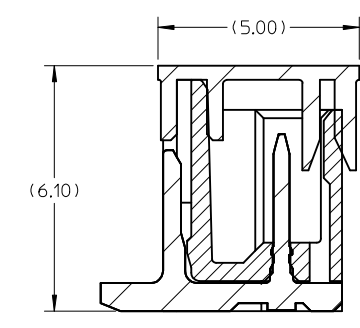
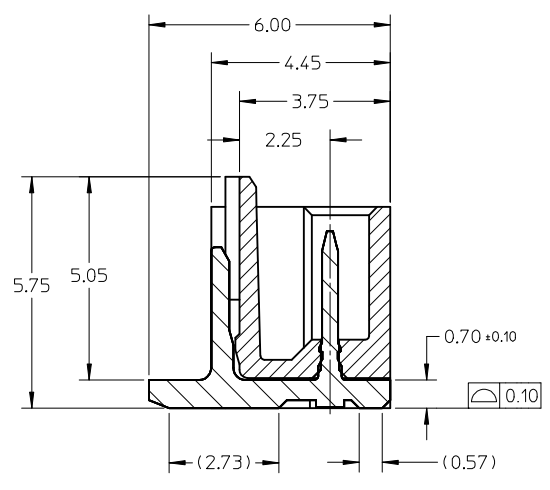
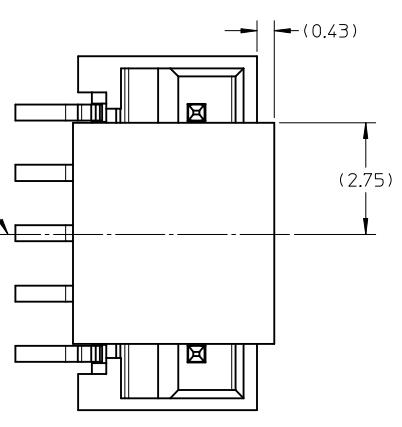
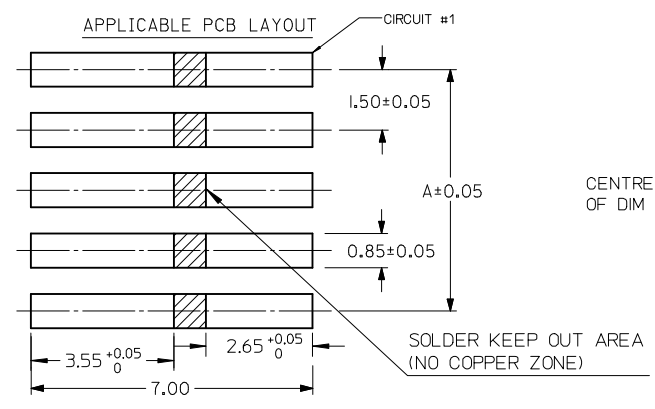
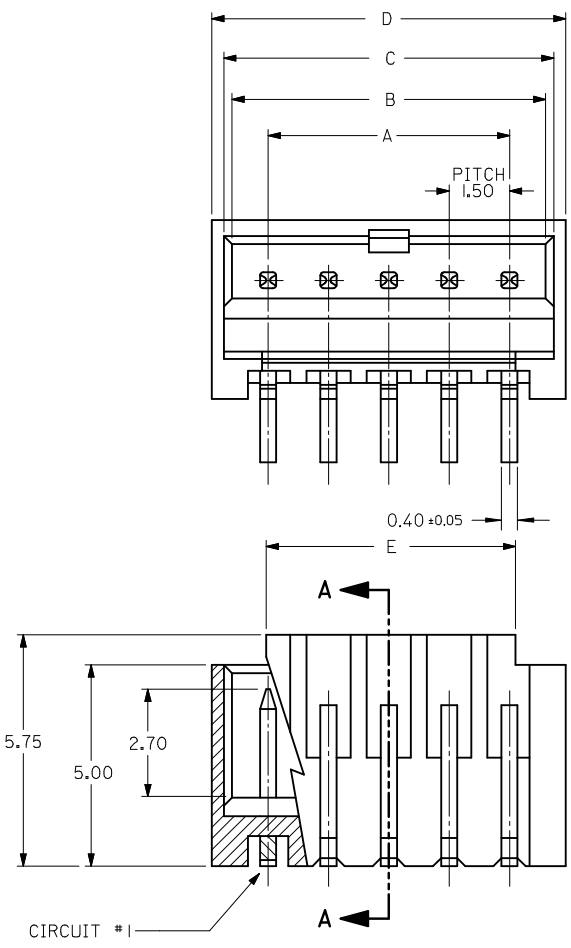


10 9 8 7 6 5 4 3 2 1



SECTION A-A
(WITHOUT CAP)

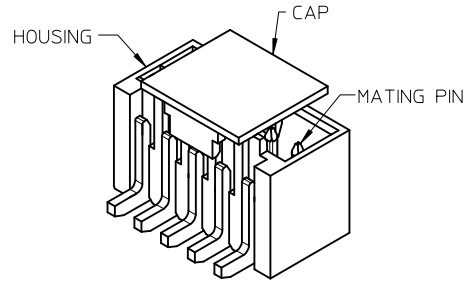
SECTION A-A
(WITH CAP)

- NOTES:
- MATERIAL:
HOUSING: NYLON, GLASS FILLED, UL94 V-0,
COLOR - SEE TABLE.
CAP: NYLON, GLASS FILLED, UL94V-0
COLOR: BEIGE.
PINS: BRASS ALLOY, C26000, P/N87437-8083.
 - PLATING: 2.54µM, MIN. TIN OVER 1.27µM MIN. NICKEL.
 - DRAWING SHOWS PLUG WITH 5 CIRCUITS.
 - HEADER TO BE USED WITH CRIMP HOUSING, P/N 87439 AND CRIMP TERMINAL, P/N 87421.
 - PARTS TO BE PACKED IN MOISTURE BAG.
 - THIS DRAWING IS RE-DRAWING OF SD-87437-**-31.

REVISED EC NO: J2014-0799 DRAWN: HORI CHKD: KASAKAWA APPR: NUKITA	DESCRIPTION 2013/11/06 2013/11/07 2013/11/08	GENERAL TOLERANCES (UNLESS SPECIFIED)		DIMENSION STYLE MM ONLY		SCALE 8:1	DESIGN UNITS METRIC	THIRD ANGLE PROJECTION		
		10 UNDER	± 0.20	DRAWN BY TYAJIMA01	DATE 2013/09/19	TITLE 1.50MM PITCH, W-T-B HEADER, VERTICAL, SMT				
		10 OVER 30 UNDER	± 0.20	CHECKED BY KASAKAWA	DATE 2013/09/20					
		30 OVER	± 0.20	APPROVED BY NUKITA	DATE 2013/09/25					
REV		ANGULAR	±3 °	MATERIAL NO. SEE TABLE		DOCUMENT NO. SD-87437-001		SHEET NO. 1 OF 4		
		DRAFT WHERE APPLICABLE MUST REMAIN WITHIN DIMENSIONS		SIZE A3		THIS DRAWING CONTAINS INFORMATION THAT IS PROPRIETARY TO MOLEX INCORPORATED AND SHOULD NOT BE USED WITHOUT WRITTEN PERMISSION				

9 8 7 6 5 4 3 2

10 9 8 7 6 5 4 3 2 1

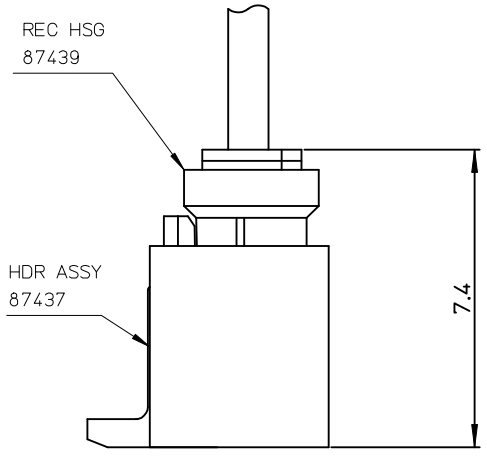


PART NUMBER ASSIGNMENT

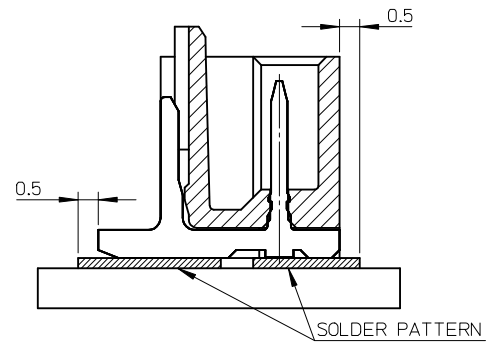
87437-XXXX

- 2- TUBE PACKAGING
- 3- TAPE AND REEL PACKAGING
- 4- BEIGE COLOR HSG } WITHOUT CAP
- 5- BLACK COLOR HSG }
- 6- BLACK COLOR HSG } WITH CAP
- 7- BEIGE COLOR HSG }
- 02 TO 15 CIRCUIT SIZE

CIRCUIT SIZE	A	B	C	D	E
02	1.50	3.30	3.70	4.30	1.70
03	3.00	4.80	5.20	5.80	3.20
04	4.50	6.30	6.70	7.30	4.70
05	6.00	7.80	8.20	8.80	6.20
06	7.50	9.30	9.70	10.30	7.70
07	9.00	10.80	11.20	11.80	9.20
08	10.50	12.30	12.70	13.30	10.70
09	12.00	13.80	14.20	14.80	12.20
10	13.50	15.30	15.70	16.30	13.70
11	15.00	16.80	17.20	17.80	15.20
12	16.50	18.30	18.70	19.30	16.70
13	18.00	19.80	20.20	20.80	18.20
14	19.50	21.30	21.70	22.30	19.70
15	21.00	22.80	23.20	23.80	21.20



嵌合状態図
MATED CONNECTORS



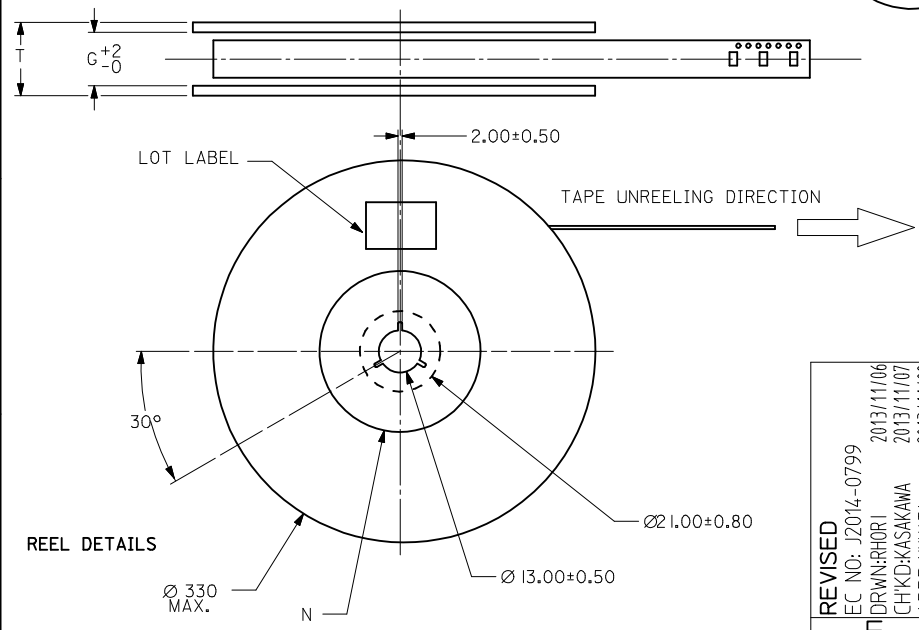
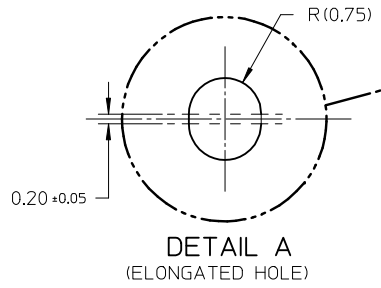
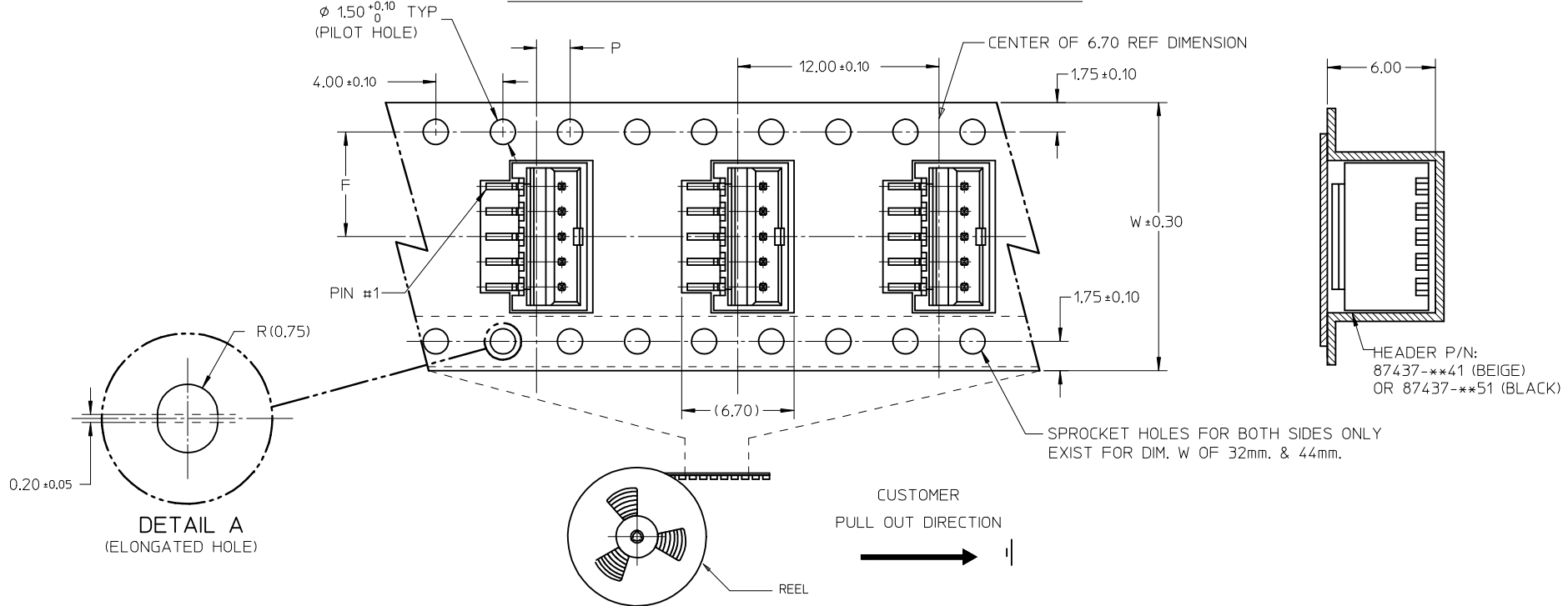
MOUNTING POSITION OF THE CONNECTOR

REVISED EC NO: J2014-0799 TDR: DRW: N. HORI CHKD: KASAKAWA APPR: NUKITA	2013/11/06 2013/11/07 2013/11/08	GENERAL TOLERANCES (UNLESS SPECIFIED)		DIMENSION STYLE MM ONLY		SCALE 8:1	DESIGN UNITS METRIC	THIRD ANGLE PROJECTION	
	DESCRIPTION 10 UNDER	±0.20	DRAWN BY TYAJIMA01		DATE 2013/09/19		TITLE 1.50MM PITCH, W-T-B HEADER, VERTICAL, SMT molex DOCUMENT NO. SD-87437-001 SHEET NO. 2 OF 4		
	10 OVER 30 UNDER	±0.20	CHECKED BY KASAKAWA		DATE 2013/09/20				
	30 OVER	±0.20	APPROVED BY NUKITA		DATE 2013/09/25				
ANGULAR ±3 °		DRAFT WHERE APPLICABLE MUST REMAIN WITHIN DIMENSIONS		MATERIAL NO. SEE TABLE					
SIZE A3		THIS DRAWING CONTAINS INFORMATION THAT IS PROPRIETARY TO MOLEX INCORPORATED AND SHOULD NOT BE USED WITHOUT WRITTEN PERMISSION							

9 8 7 6 5 4 3 2

10 9 8 7 6 5 4 3 2 1

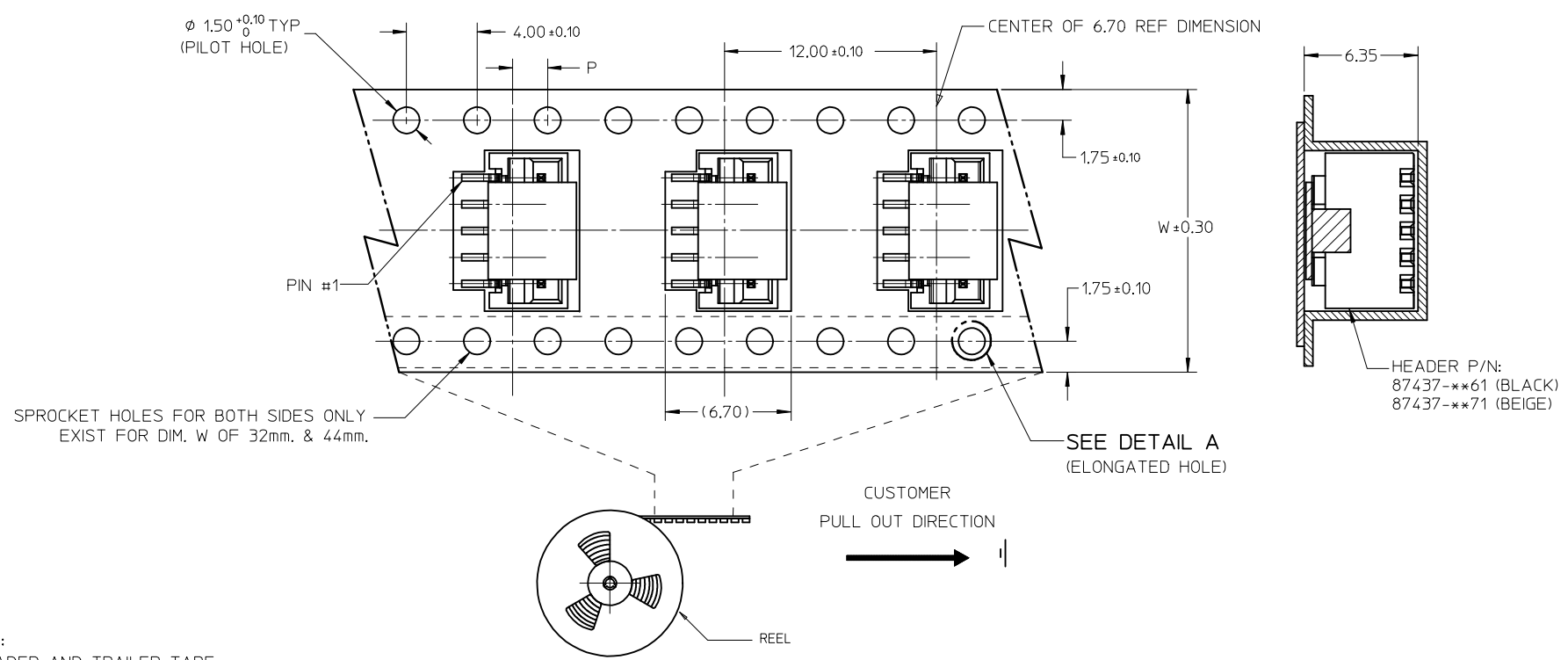
EMBOSSED CARRIER TAPE PACKING DETAILS FOR PARTS WITHOUT CAP



REVISED EC NO: J2014-0799 DRW:RHORI 2013/11/06 CHKD:KASAKAWA 2013/11/07 APPR:NUKITA 2013/11/08	GENERAL TOLERANCES (UNLESS SPECIFIED)		DIMENSION STYLE MM ONLY		SCALE 8:1	DESIGN UNITS METRIC	THIRD ANGLE PROJECTION	
	10 UNDER	± 0.20	DRAWN BY TYAJIMA01	DATE 2013/09/19	TITLE 1.50MM PITCH, W-T-B HEADER, VERTICAL, SMT			
	10 OVER 30 UNDER	± 0.20	CHECKED BY KASAKAWA	DATE 2013/09/20	MATERIAL NO. SEE TABLE			
	30 OVER	± 0.20	APPROVED BY NUKITA	DATE 2013/09/25	DOCUMENT NO. SD-87437-001	SHEET NO. 3 OF 4		
ANGULAR $\pm 3^\circ$ DRAFT WHERE APPLICABLE MUST REMAIN WITHIN DIMENSIONS		THIS DRAWING CONTAINS INFORMATION THAT IS PROPRIETARY TO MOLEX INCORPORATED AND SHOULD NOT BE USED WITHOUT WRITTEN PERMISSION						

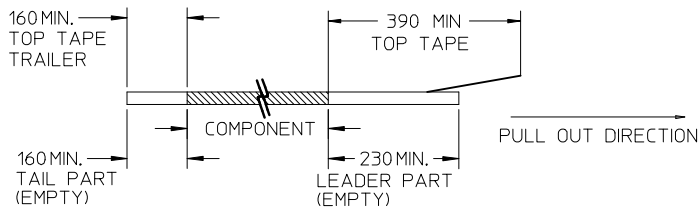
9 8 7 6 5 4 3 2 1

EMBOSSED CARRIER TAPE PACKING DETAILS FOR PARTS WITH CAP

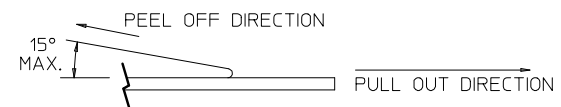


HEADER P/N:
87437-**61 (BLACK)
87437-**71 (BEIGE)

- NOTES:
1. LEADER AND TRAILER TAPE



2. PEELING OFF FORCE OF THE TOP TAPE: 20-80gf.
(PEELING DIRECTION AS SHOWN IN FOLLOWING FIGURE)



3. THE TAPE IS TREATED FOR ANTI-STATIC.
4. PACKAGING STANDARD IS AS PER EIA-481.
5. TAPE & REEL QUANTITY = 1000PCS/REEL (WITHOUT CAP)
TAPE & REEL QUANTITY = 900PCS/REEL (WITH CAP)

15	44	20.20±0.15	100	44.40	50.40	2.00±0.15
11, 12, 13, 14	32	14.20±0.10	100	32.40	38.40	2.00±0.10
7, 8, 9, 10	24	11.50±0.10	100	24.40	30.40	2.00±0.10
2, 3, 4, 5, 6	16	7.50±0.10	100	16.40	22.40	2.00±0.10
CIRCUIT SIZE	W	F	N	G	T MAX	P

REVISED EC NO: J2014-0799 TDRWNRHORI 2013/11/06 CHKD:KASAKAWA 2013/11/07 APPR:NUKITA 2013/11/08	DESCRIPTION GENERAL TOLERANCES (UNLESS SPECIFIED) 10 UNDER ±0.20 10 OVER 30 UNDER ±0.20 30 OVER ±0.20 ANGULAR ±3 ° DRAFT WHERE APPLICABLE MUST REMAIN WITHIN DIMENSIONS	DIMENSION STYLE MM ONLY	SCALE 8:1	DESIGN UNITS METRIC	THIRD ANGLE PROJECTION		
		DRAWN BY TYAJIMA01	DATE 2013/09/19	TITLE 1.50MM PITCH, W-T-B HEADER, VERTICAL, SMT			
		CHECKED BY KASAKAWA	DATE 2013/09/20	APPROVED BY NUKITA			
		MATERIAL NO. SEE TABLE	DATE 2013/09/25	DOCUMENT NO. SD-87437-001	SHEET NO. 4 OF 4		

THIS DRAWING CONTAINS INFORMATION THAT IS PROPRIETARY TO MOLEX INCORPORATED AND SHOULD NOT BE USED WITHOUT WRITTEN PERMISSION

Данный компонент на территории Российской Федерации

Вы можете приобрести в компании MosChip.

Для оперативного оформления запроса Вам необходимо перейти по данной ссылке:

<http://moschip.ru/get-element>

Вы можете разместить у нас заказ для любого Вашего проекта, будь то серийное производство или разработка единичного прибора.

В нашем ассортименте представлены ведущие мировые производители активных и пассивных электронных компонентов.

Нашей специализацией является поставка электронной компонентной базы двойного назначения, продукции таких производителей как XILINX, Intel (ex.ALTERA), Vicor, Microchip, Texas Instruments, Analog Devices, Mini-Circuits, Amphenol, Glenair.

Сотрудничество с глобальными дистрибьюторами электронных компонентов, предоставляет возможность заказывать и получать с международных складов практически любой перечень компонентов в оптимальные для Вас сроки.

На всех этапах разработки и производства наши партнеры могут получить квалифицированную поддержку опытных инженеров.

Система менеджмента качества компании отвечает требованиям в соответствии с ГОСТ Р ИСО 9001, ГОСТ РВ 0015-002 и ЭС РД 009

Офис по работе с юридическими лицами:

105318, г.Москва, ул.Щербаковская д.3, офис 1107, 1118, ДЦ «Щербаковский»

Телефон: +7 495 668-12-70 (многоканальный)

Факс: +7 495 668-12-70 (доб.304)

E-mail: info@moschip.ru

Skype отдела продаж:

moschip.ru

moschip.ru_4

moschip.ru_6

moschip.ru_9