



ETA-USA

HIGH QUALITY SWITCHING POWER SUPPLIES

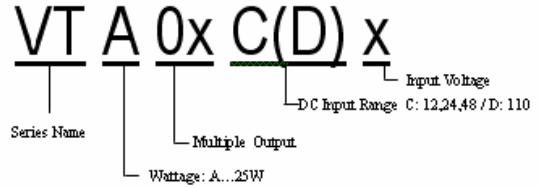
DC/DC SWITCHING POWER SUPPLY
DC INPUT 12,24,48, 110
MULTIPLE OUTPUT
25WATTS

VTA-00Cx/VTA-00D SERIES



Dimension: 85W × 135L × 31H

General Description



Features

1. Variety of Models
2. Chassis mount type
3. Compact and High Efficiency

DC INPUT: 12V

| Input Characteristics | Unit | VTA01C12 | VTA01C12B | VTA03C12 | VTA04C12 |
|-------------------------|------|---------------|-----------|----------|----------|
| Input Voltage | Vdc | DC 12V | | | |
| Input Voltage Range | Vdc | DC 9.2V-16V | | | |
| Inrush Current *1 | A | Not Specified | | | |
| Efficiency (typical) *2 | % | 75 | 77 | 73 | 75 |
| MTBF | H | 520'000 | | | |
| Switching Frequency | kHz | 40 Fix | 40 Fix | 40 Fix | 40 Fix |

DC INPUT: 24V

| Input Characteristics | Unit | VTA01C24 | VTA01C24B | VTA03C24 | VTA04C24 |
|-------------------------|------|---------------|-----------|----------|----------|
| Input Voltage | Vdc | DC 24V | | | |
| Input Voltage Range | Vdc | DC 19-32V | | | |
| Inrush Current *1 | A | Not Specified | | | |
| Efficiency (typical) *2 | % | 75 | | | |
| MTBF | H | 520'000 | | | |
| Switching Frequency | kHz | 40 Fix | 40 Fix | 40 Fix | 40 Fix |

DC INPUT: 48V

| Input Characteristics | Unit | VTA01C48 | VTA01C48B | VTA03C48 | VTA04C48 |
|-------------------------|------|---------------|-----------|----------|----------|
| Input Voltage | Vdc | DC 48V | | | |
| Input Voltage Range | Vdc | DC 38-63V | | | |
| Inrush Current *1 | A | Not Specified | | | |
| Efficiency (typical) *2 | % | 72 | 77 | 74 | 75 |
| MTBF | H | 520'000 | | | |
| Switching Frequency | kHz | 37 Fix | 37 Fix | 37 Fix | 37 Fix |

DC INPUT: 110V

| Input Characteristics | Unit | VTA01D | VTA01D-B | VTA03D | VTA04D |
|-------------------------|------|---------------|----------|---------|---------|
| Input Voltage | Vdc | DC 110V | | | |
| Input Voltage Range | Vdc | DC 85-140V | | | |
| Inrush Current *1 | A | 20A (maximum) | | | |
| Efficiency (typical) *2 | % | 75 | 73 | 77 | 75 |
| MTBF | H | 500'000 | | | |
| Switching Frequency | kHz | 43 Fix. | 43 Fix. | 43 Fix. | 43 Fix. |



ETA USA
16170 Vineyard Blvd. Suite 180, Morgan Hill, CA 95037
Phone: 1-800-ETA-POWER, (408) 778-2793 Fax: (408) 779-2753

Visit us at: www.eta-usa.com
email at: sales@eta-usa.com



ETA-USA

HIGH QUALITY SWITCHING POWER SUPPLIES

VTA-C / VTA-D

| Output Characteristic | Unit | Models | | | | | | | | | | | |
|--|------|--|------|-----|----------------|-----|------|---------------|------|------|-----------------------------|-----|-----|
| | | VTA01Cx / D | | | VTA01Cx B / DB | | | VTA03Cx / 03D | | | VTA04Cx / WD | | |
| Output Voltage | V | 5 | +12 | -12 | +12 | +5 | -12 | +5 | +12 | -5 | +5 | +15 | -15 |
| Output Current 25W at horizontal mount | A | 2.8 | 0.5 | 0.4 | 1.5 | 0.7 | 0.25 | 2.8 | 0.5 | 0.5 | 2.8 0.36 0.36 (Vin=24 -) | | |
| 30W at vertical mount without cover | | 3.0 | 0.75 | 0.5 | 1.7 | 0.8 | 0.3 | 3.0 | 0.75 | 0.75 | 3.0 | 0.5 | 0.5 |
| Voltage Adjust Range | V | V1: +/-5%(maximum) of Rated Output Voltage at 25°C, rated input and no load V2, V3: fixed with tolerance +/-3.5% of Rated Output Voltage at 25°C, rated input and no load | | | | | | | | | | | |
| Ripple Noise(max)*3 | mVpp | 100 | 170 | 170 | 170 | 100 | 170 | 100 | 170 | 100 | 100 | 200 | 200 |
| Rise up time | mS | 200mS(maximum) at 25°C and rated input/output | | | | | | | | | | | |
| Hold up time | mS | Not specified (Vin=110 10mS(maximum) at 25°C and rated input/output) | | | | | | | | | | | |
| Regulation | | | | | | | | | | | | | |
| a. Line Regulation (max) (Vin=12,24,110) (Vin= 48) | mV | 40 | 96 | 96 | 96 | 40 | 96 | 40 | 96 | 40 | 40 | 120 | 120 |
| b. Load Regulation (max) | mV | 50 | 120 | 120 | 120 | 50 | 120 | 50 | 120 | 50 | 50 | 150 | 150 |
| c. Temperature Coefficient*4 | °C | 0.03%/°C | | | | | | | | | | | |
| d. Drift(maximum) *5 | mV | 40 | 75 | 75 | 75 | 40 | 75 | 40 | 75 | 40 | 40 | 90 | 90 |
| e. Dynamic Load Regulation (typ.) *6 | mV | 150 | 360 | 360 | 360 | 150 | 360 | 150 | 360 | 150 | 150 | 450 | 450 |
| f. Recovery Time *6 | mS | 0.5mS(typical) | | | | | | | | | | | |

*1 at cold start

*2 at rated input/output

*3 measured by a bayonet probe at the output connector at a 0 to 100MHz bandwidth

*4 at 0 to +50°C

*5 for 7hour period after 1hour warm-up at 25°C and rated input/output

*6 when output current changed between 25% and 75% of rated output current rapidly at rated input

| Environmental Specification | |
|-----------------------------|---|
| Operating Temperature | 0 to +50°C |
| Operating Humidity | 85%RH(non-condensing) |
| Storage Temperature | -20 to +85°C |
| Storage Humidity | - |
| Withstanding Voltage | Primary-Secondary AC1,500Vfor 1minute (Vin=110 2000) Primary-Frame Ground AC1,500V for 1minute (Vin=110 2000) Secondary-Frame Ground AC500V for 1minute |
| Isolation Resistance | Primary-Secondary-Frame Ground 50MΩ(minimum) by DC500V insulation tester |
| Vibration | 5-10Hz:10mm double amplitude,10-55Hz:19.6m/s ² ,20minutes' period for 60minutes each along X,Y,Z axes(non-operating) |
| Shock | 294m/s ² |
| Cooling | Convection |

| Functions | |
|----------------------------|---|
| Over current Protection | Current Limiting with automatic recovery |
| Over voltage Protection | zener diode clamping |
| Remote Sense | not available |
| Remote On/Off | not available |
| Reverse Voltage Protection | by internal fuse (Vin=110 by internal bridge diode) |
| Line Conduction Noise | Not specified |
| Weight [g] (typical) | 390 G |
| Dimension [mm] | 85W × 135L × 31H |



ETA USA

16170 Vineyard Blvd. Suite 180, Morgan Hill, CA 95037

Phone: 1-800-ETA-POWER, (408) 778-2793 Fax: (408) 779-2753

Visit us at: www.eta-usa.com

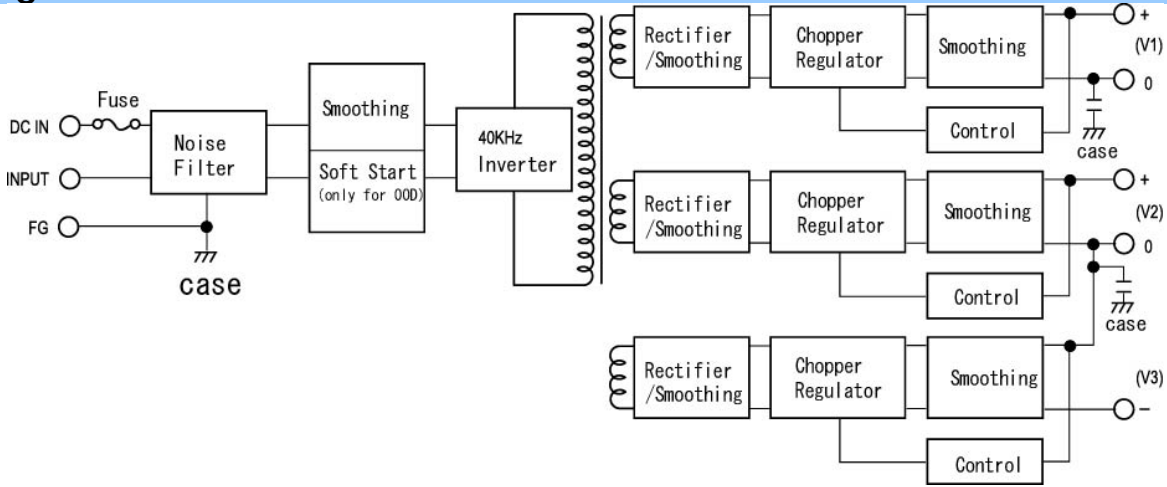
email at: sales@eta-usa.com



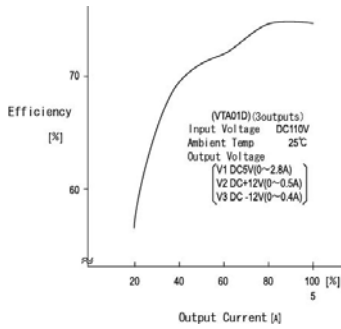
ETA-USA

HIGH QUALITY SWITCHING POWER SUPPLIES

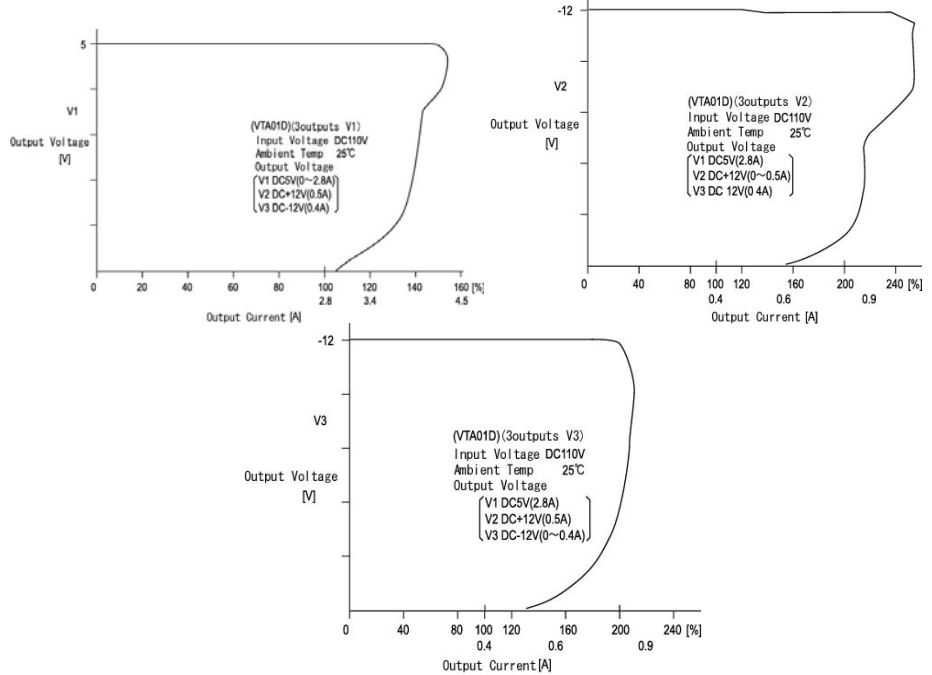
Block Diagram



EFFICIENCY CURVE



OCP CURVES



Данный компонент на территории Российской Федерации

Вы можете приобрести в компании MosChip.

Для оперативного оформления запроса Вам необходимо перейти по данной ссылке:

<http://moschip.ru/get-element>

Вы можете разместить у нас заказ для любого Вашего проекта, будь то серийное производство или разработка единичного прибора.

В нашем ассортименте представлены ведущие мировые производители активных и пассивных электронных компонентов.

Нашей специализацией является поставка электронной компонентной базы двойного назначения, продукции таких производителей как XILINX, Intel (ex.ALTERA), Vicor, Microchip, Texas Instruments, Analog Devices, Mini-Circuits, Amphenol, Glenair.

Сотрудничество с глобальными дистрибьюторами электронных компонентов, предоставляет возможность заказывать и получать с международных складов практически любой перечень компонентов в оптимальные для Вас сроки.

На всех этапах разработки и производства наши партнеры могут получить квалифицированную поддержку опытных инженеров.

Система менеджмента качества компании отвечает требованиям в соответствии с ГОСТ Р ИСО 9001, ГОСТ РВ 0015-002 и ЭС РД 009

Офис по работе с юридическими лицами:

105318, г.Москва, ул.Щербаковская д.3, офис 1107, 1118, ДЦ «Щербаковский»

Телефон: +7 495 668-12-70 (многоканальный)

Факс: +7 495 668-12-70 (доб.304)

E-mail: info@moschip.ru

Skype отдела продаж:

moschip.ru

moschip.ru_4

moschip.ru_6

moschip.ru_9