

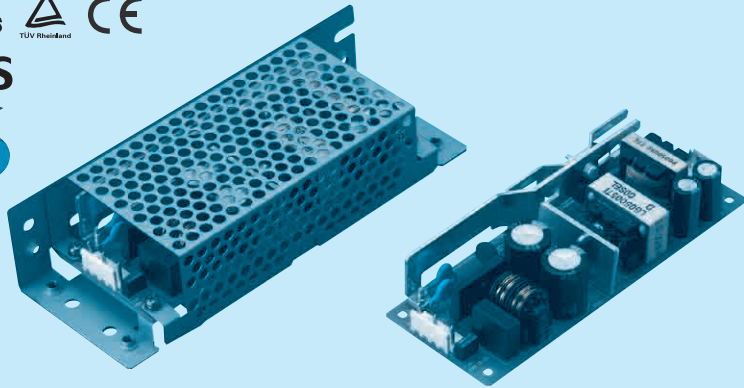
LGA50A

LG A 50 A -5 -□

① ② ③ ④ ⑤ ⑥



RoHS



Recommended EMI/EMC Filter
NAC-06-472



High voltage pulse noise type : NAP series
Low leakage current type : NAM series
*The EMI/EMC Filter is recommended to connect with several devices.

- ① Series name
- ② Single output
- ③ Output wattage
- ④ 100/120V input
- ⑤ Output voltage
- ⑥ Optional
- C :with Coating
- G :Low leakage current
- H :with the function to be acceptable to output peak current (only 24V)
- J1 :VH(J.S.T.)connector type
- S :with Chassis
- SN:with Chassis & cover
- Y :with Potentiometer

This power supply is manufactured by SMD technology.The stress to P.C.B like twisting or bending causes the defect of the unit,so handle the unit with care.

MODEL	LGA50A-3R3-Y	LGA50A-5	LGA50A-12	LGA50A-15	LGA50A-24	LGA50A-24-H	LGA50A-48
MAX OUTPUT WATTAGE[W]	33	50	51.6	52.5	60	60	62.4
DC OUTPUT	3.3V 10A	5V 10A	12V 4.3A	15V 3.5A	24V 2.5A	24V 2.5 (Peak 3.2) A	48V 1.3A

SPECIFICATIONS

	MODEL	LGA50A-3R3-Y	LGA50A-5	LGA50A-12	LGA50A-15	LGA50A-24	LGA50A-24-H	LGA50A-48	
INPUT	VOLTAGE[V]	AC85 - 132 1 φ (Refer to Instruction Manual 1.1, and 3.2 Derating)							
	CURRENT[A]	ACIN 100V	0.8typ (Io=100%)	1.3typ (Io=100%)					
	FREQUENCY[Hz]	47 - 440 (Refer to Instruction Manual 1.1)							
	EFFICIENCY[%]	ACIN 100V	74.0typ (Io=100%)	79.0typ (Io=100%)	82.0typ (Io=100%)	83.0typ (Io=100%)	85.0typ (Io=100%)	85.0typ (Io=100%)	85.0typ (Io=100%)
	INRUSH CURRENT[A]	ACIN 100V	30typ (Io=100%), (At cold start), (Ta= 25°C)						
	LEAKAGE CURRENT[ma]	0.5max (ACIN 100V, 60Hz, Io=100%, According to IEC60950-1 and DEN-AN)							
OUTPUT	VOLTAGE[V]	3.3	5	12	15	24	24	48	
	CURRENT[A]	*3	10.0	10.0	4.3	3.5	2.5	2.5 (Peak 3.2)	1.3
	LINE REGULATION[mV]	20max		20max	48max	60max	96max	96max	192max
	LOAD REGULATION[mV]	40max		40max	100max	120max	150max	150max	300max
	RIPPLE[mVp-p]	0 to +50°C *4	80max	80max	120max	120max	120max	240max	150max
		-10 - 0°C *1	140max	140max	160max	160max	160max	320max	200max
	RIPPLE NOISE[mVp-p]	0 to +50°C *4	120max	120max	150max	150max	150max	300max	350max
		-10 - 0°C *1	160max	160max	180max	180max	180max	360max	400max
	TEMPERATURE REGULATION[mV]	0 to +50°C *4	50max	50max	120max	150max	180max	240max	480max
		-10 to +50°C *4	60max	60max	150max	180max	290max	290max	600max
	DRIFT[mV]	*2	20max	20max	48max	60max	96max	96max	192max
START-UP TIME[ms]	200max (ACIN 100V, Io=100%)								
HOLD-UP TIME[ms]	20typ (ACIN 100V, Io=100%)								
OUTPUT VOLTAGE ADJUSTMENT RANGE[V]	2.85 - 3.63		Fixed (*Y which can be adjusted the output is available as optional ± 10%)						
OUTPUT VOLTAGE SETTING[V]	3.30 - 3.40		4.90 - 5.30	11.50 - 12.50	14.40 - 15.60	23.00 - 25.00	23.00 - 25.00	46.00 - 50.00	
PROTECTION CIRCUIT AND OTHERS	OVERCURRENT PROTECTION	Works over 105% of rating (works over 101% of peak current at option -H) and recovers automatically							
	OVERVOLTAGE PROTECTION	4.00 - 5.25	5.75 - 7.00	13.80 - 16.80	17.30 - 21.00	27.60 - 35.00	27.60 - 35.00	55.20 - 67.20	
	OPERATING INDICATION	Not provided							
	REMOTE SENSING	Not provided							
ISOLATION	REMOTE ON/OFF	Not provided							
	INPUT-OUTPUT	AC2,000V 1minute, Cutoff current = 10mA, DC500V 50MΩ min (At Room Temperature)							
	INPUT-FG	AC2,000V 1minute, Cutoff current = 10mA, DC500V 50MΩ min (At Room Temperature)							
ENVIRONMENT	OUTPUT-FG	AC500V 1minute, Cutoff current = 25mA, DC500V 50MΩ min (At Room Temperature)							
	OPERATING TEMP.,HUMID.AND ALTITUDE	-10 to +60°C, 20 - 90%RH (Non condensing) (Refer to Instruction Manual 3.2), 3,000m (10,000feet) max							
	STORAGE TEMP.,HUMID.AND ALTITUDE	-20 to +75°C, 20 - 90%RH (Non condensing), 9,000m (30,000feet) max							
	VIBRATION	10 - 55Hz, 19.6m/s ² (2G), 3minutes period, 60minutes each along X, Y and Z axis							
SAFETY AND NOISE REGULATIONS	IMPACT	196.1m/s ² (20G), 11ms, once each X, Y and Z axis							
	AGENCY APPROVALS	UL60950-1, C-UL (CSA60950-1), EN60950-1 Complies with DEN-AN							
OTHERS	CONDUCTED NOISE	Complies with FCC-B, VCCI-B, CISPR-B, EN55011-B, EN55022-B							
	CASE SIZE/WEIGHT	50 x 28.5 x 132mm [1.97 x 1.12 x 5.2 inches] (W x H x D) / 160g max (with chassis & cover : 320g max)							
	COOLING METHOD	Convection (Refer to Instruction Manual 3.2)							

*1 This is the value that measured on measuring board with capacitor of 22 μF at 150mm from output terminal.
Measured by 20MHz oscilloscope or Ripple-Noise meter (Equivalent to KEISOKU-GIKEN: RM-103).

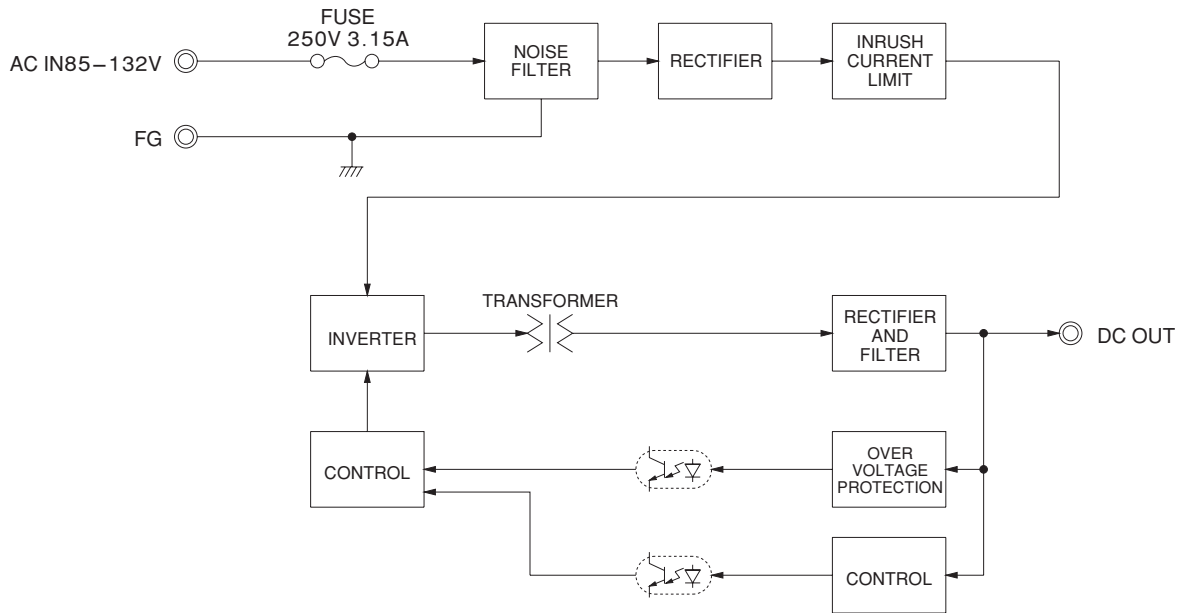
*2 Drift is the change in DC output for an eight hour period after a half-hour warm-up at 25°C, with the input voltage held constant at the rated input/output.

*3 Peak loading for 10sec.And Duty 35% max.or less is acceptable if the total wattage is less than the rated wattage (24V:60W).
Refer to instruction Manual 5. In detail.

*4 Only output 24V and 48V DC models are applied that the upper temperature limit is 45°C.

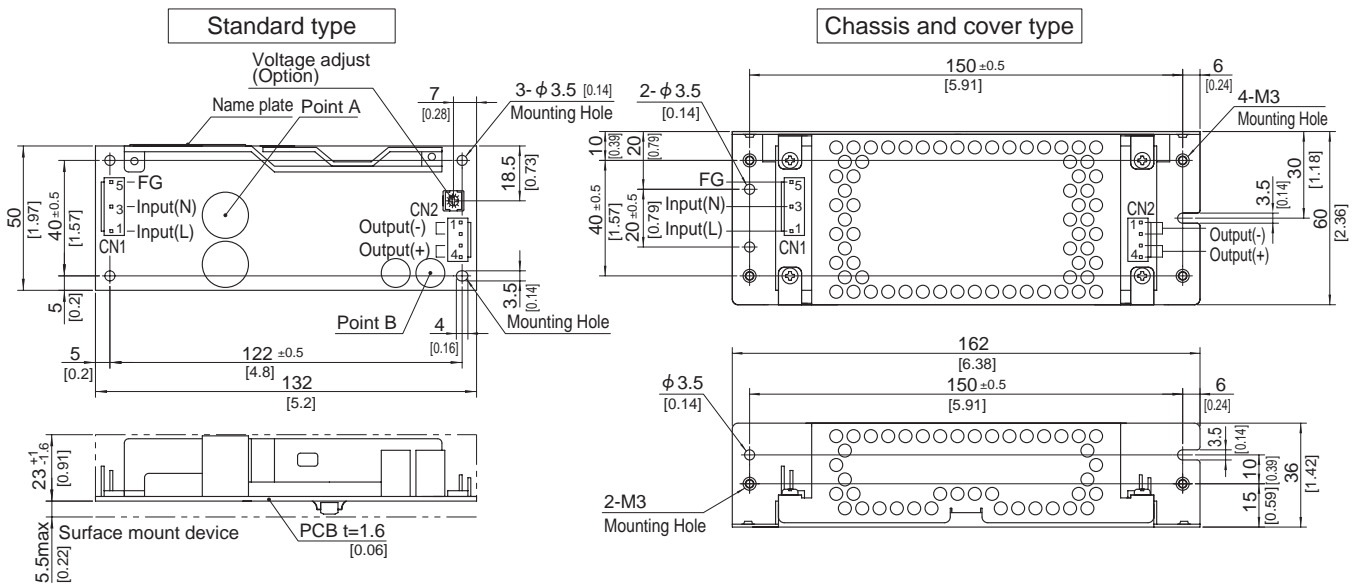
- * Avoid prolonged use under over - load.
- * Parallel operation with other model is not possible.
- * Derating is required when operated with chassis and cover.
- * A sound may occur from power supply at pulse loading.

Block diagram



LGA

External view



※ This power supply is manufactured by SMD technology. The stress to P.C.B like twisting or bending causes the defect of the unit, so handle the unit with care. Take care for SMD parts on the back to come in contact because of the vibration and not to break down.

※ Mounting torque: 0.6N.m (6.3kgf.cm) max

※ Use the spacer of 8mm length or more.
 ※ 4 Mounting holes are existing.

I/O Connector	Mating connector	Terminal
CN1	1-1123724-3	Chain 1123721-1
		Loose 1318912-1
CN2	1-1123723-4	Chain 1123721-1
		Loose 1318912-1

(Mfr: Tyco Electronics AMP)

<PIN CONNECTION>

CN1		CN2	
Pin No.	Input	Pin No.	Output
1	AC(L)	1, 2	-V
2			
3	AC(N)	3, 4	+V
4			
5	FG		

※ Tolerance : ±1 [±0.04]

※ Weight : 160g max (with chassis & cover : 320g max)

※ PCB material / thickness : CEM3 / 1.6mm [0.06]

※ Optional chassis and cover material : Electric galvanizing steel board.

※ Dimensions in mm, []=inches

※ I/O Connector is Mfr Tyco Electronics AMP

※ Option: -J1: VH(J.S.T) connector type.

Refer to instruction Manual 5.

※ Keep drawing current per pin below 5A for CN2.

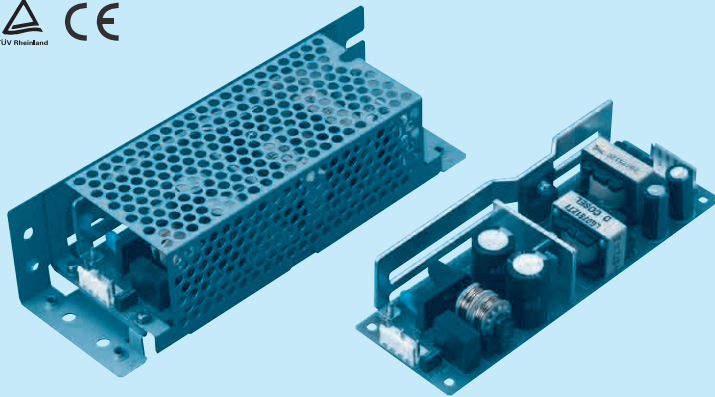
LGA75A

LG A 75 A -5 -□

① ② ③ ④ ⑤ ⑥



RoHS



Recommended EMI/EMC Filter
NAC-06-472



High voltage pulse noise type : NAP series
Low leakage current type : NAM series
*The EMI/EMC Filter is recommended to connect with several devices.

- ① Series name
- ② Single output
- ③ Output wattage
- ④ 100/120V input
- ⑤ Output voltage
- ⑥ Optional
- C :with Coating
- G :Low leakage current
- H :with the function to be acceptable to output peak current (only 24V)
- J1 :VH(J.S.T.)connector type
- S :with Chassis
- SN:with Chassis & cover
- Y :with Potentiometer

This power supply is manufactured by SMD technology.The stress to P.C.B like twisting or bending causes the defect of the unit,so handle the unit with care.

MODEL	LGA75A-3R3-Y	LGA75A-5	LGA75A-12	LGA75A-15	LGA75A-24	LGA75A-24-H	LGA75A-48
MAX OUTPUT WATTAGE[W]	49.5	75	75.6	75	76.8	76.8	76.8
DC OUTPUT	3.3V 15A	5V 15A	12V 6.3A	15V 5A	24V 3.2A	24V 3.2 (Peak 4.2) A	48V 1.6A

SPECIFICATIONS

	MODEL	LGA75A-3R3-Y	LGA75A-5	LGA75A-12	LGA75A-15	LGA75A-24	LGA75A-24-H	LGA75A-48	
INPUT	VOLTAGE[V]	AC85 - 132 1 φ (Refer to Instruction Manual 1.1, and 3.2 Derating)							
	CURRENT[A]	ACIN 100V	1.3typ (Io=100%)	1.7typ (Io=100%)					
	FREQUENCY[Hz]	47 - 440 (Refer to Instruction Manual 1.1)							
	EFFICIENCY[%]	ACIN 100V	75.0typ (Io=100%)	79.0typ (Io=100%)	83.0typ (Io=100%)	84.0typ (Io=100%)	86.0typ (Io=100%)	86.0typ (Io=100%)	86.0typ (Io=100%)
	INRUSH CURRENT[A]	ACIN 100V	30typ (Io=100%), (At cold start), (Ta= 25°C)						
	LEAKAGE CURRENT[ma]	0.5max (ACIN 100V, 60Hz, Io=100%, According to IEC60950-1 and DEN-AN)							
OUTPUT	VOLTAGE[V]	3.3	5	12	15	24	24	48	
	CURRENT[A]	*3	15.0	15.0	6.3	5.0	3.2	3.2 (Peak 4.2)	1.6
	LINE REGULATION[mV]	20max	20max	48max	60max	96max	96max	192max	
	LOAD REGULATION[mV]	40max	40max	100max	120max	150max	150max	300max	
	RIPPLE[mVp-p]	0 to +50°C *1	80max	80max	120max	120max	120max	240max	150max
		-10 - 0°C *1	140max	140max	160max	160max	160max	320max	200max
	RIPPLE NOISE[mVp-p]	0 to +50°C *1	120max	120max	150max	150max	150max	300max	350max
		-10 - 0°C *1	160max	160max	180max	180max	180max	360max	400max
	TEMPERATURE REGULATION[mV]	0 to +50°C	50max	50max	120max	150max	240max	240max	480max
		-10 to +50°C	60max	60max	150max	180max	290max	290max	600max
	DRIFT[mV]	*2	20max	20max	48max	60max	96max	96max	192max
START-UP TIME[ms]	200max (ACIN 100V, Io=100%)								
HOLD-UP TIME[ms]	20typ (ACIN 100V, Io=100%)								
OUTPUT VOLTAGE ADJUSTMENT RANGE[V]	2.85 - 3.63		Fixed (*Y)which can be adjusted the output is available as optional ± 10%						
OUTPUT VOLTAGE SETTING[V]	3.30 - 3.40		4.90 - 5.30		11.50 - 12.50		14.40 - 15.60		
PROTECTION CIRCUIT AND OTHERS	OVERCURRENT PROTECTION	Works over 105% of rating (works over 101% of peak current at option -H) and recovers automatically							
	OVERVOLTAGE PROTECTION	4.00 - 5.25	5.75 - 7.00	13.80 - 16.80	17.30 - 21.00	27.60 - 35.00	27.60 - 35.00	55.20 - 67.20	
	OPERATING INDICATION	Not provided							
	REMOTE SENSING	Not provided							
	REMOTE ON/OFF	Not provided							
ISOLATION	INPUT-OUTPUT	AC2.000V 1minute, Cutoff current = 10mA, DC500V 50MΩ min (At Room Temperature)							
	INPUT-FG	AC2.000V 1minute, Cutoff current = 10mA, DC500V 50MΩ min (At Room Temperature)							
	OUTPUT-FG	AC500V 1minute, Cutoff current = 25mA, DC500V 50MΩ min (At Room Temperature)							
ENVIRONMENT	OPERATING TEMP.,HUMID.AND ALTITUDE	-10 to +60°C, 20 - 90%RH (Non condensing) (Refer to Instruction Manual 3.2), 3,000m (10,000feet) max							
	STORAGE TEMP.,HUMID.AND ALTITUDE	-20 to +75°C, 20 - 90%RH (Non condensing), 9,000m (30,000feet) max							
	VIBRATION	10 - 55Hz, 19.6m/s ² (2G), 3minutes period, 60minutes each along X, Y and Z axis							
	IMPACT	196.1m/s ² (20G), 11ms, once each X, Y and Z axis							
SAFETY AND NOISE REGULATIONS	AGENCY APPROVALS	UL60950-1, C-UL (CSA60950-1), EN60950-1 Complies with DEN-AN							
	CONDUCTED NOISE	Complies with FCC-B, VCCI-B, CISPR-B, EN55011-B, EN55022-B							
OTHERS	CASE SIZE/WEIGHT	50×34.5×150mm [1.97×1.36×5.91 inches] (W×H×D) / 200g max (with chassis & cover : 410g max)							
	COOLING METHOD	Convection (Refer to Instruction Manual 3.2)							

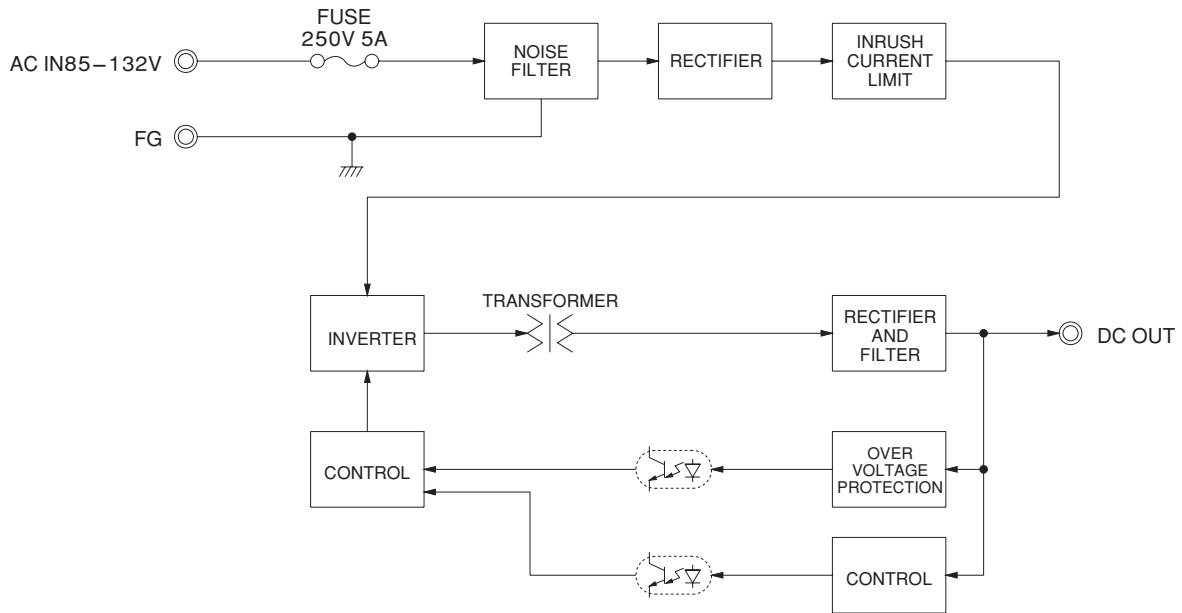
*1 This is the value that measured on measuring board with capacitor of 22 μF at 150mm from output terminal.
Measured by 20MHz oscilloscope or Ripple-Noise meter (Equivalent to KEISOKU-GIKEN: RM-103).

*2 Drift is the change in DC output for an eight hour period after a half-hour warm-up at 25°C, with the input voltage held constant at the rated input/output.

*3 Peak loading for 10sec.And Duty 35% max.or less is acceptable if the total wattage is less than the rated wattage.
Refer to instruction Manual 5. In detail.

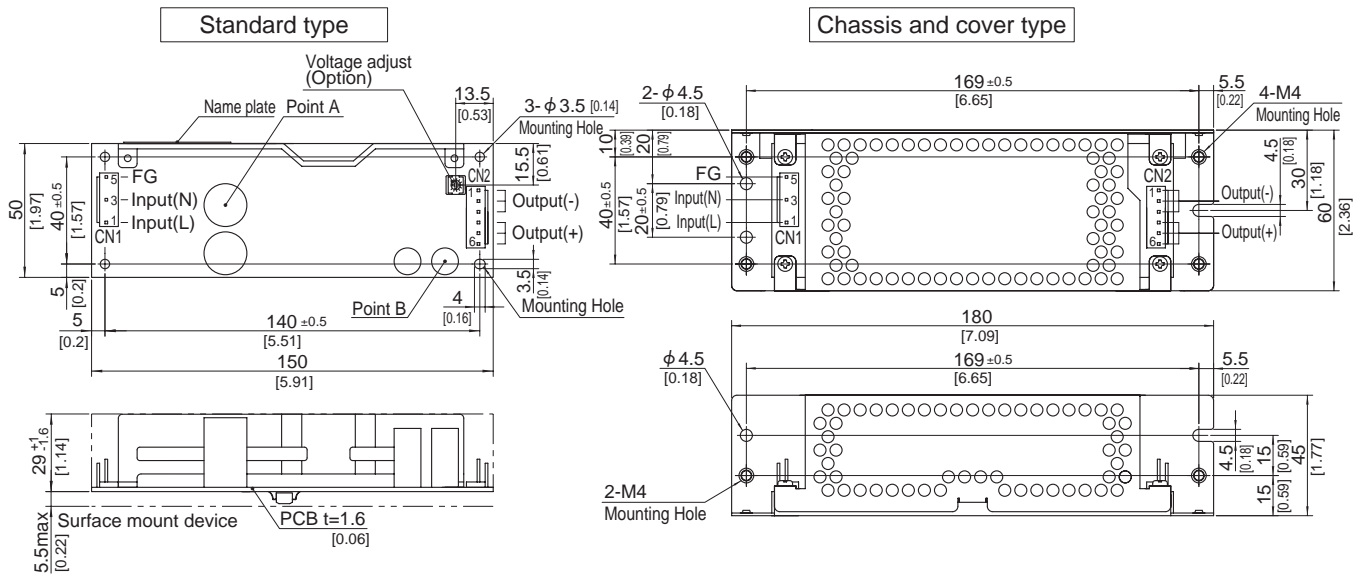
- * Avoid prolonged use under over - load.
- * Parallel operation with other model is not possible.
- * Derating is required when operated with chassis and cover.
- * A sound may occur from power supply at pulse loading.

Block diagram



LGA

External view



- ※ This power supply is manufactured by SMD technology. The stress to P.C.B like twisting or bending causes the defect of the unit, so handle the unit with care. Take care for SMD parts on the back to come in contact because of the vibration and not to break down.
- ※ Use the spacer of 8mm length or more.
- ※ 4 Mounting holes are existing.

※Mounting torque:1.5N•m(16kgf•cm)max

I/O Connector	Mating connector	Terminal
CN1	1-1123724-3	Chain 1123721-1
		Loose 1318912-1
CN2	1-1123723-6	Chain 1123721-1
		Loose 1318912-1

(Mfr:Tyco Electronics AMP)

- ※I/O Connector is Mfr Tyco Electronics AMP
- ※Option:-J1:VH(J.S.T) connector type. Refer to instruction Manual 5.

<PIN CONNECTION>

CN1		CN2	
Pin No.	Input	Pin No.	Output
1	AC(L)	1 to 3	-V
2		4 to 6	+V
3	AC(N)		
4			
5	FG		

- ※Tolerance : ±1 [±0.04]
- ※Weight : 200g max (with chassis & cover : 410g max)
- ※PCB material / thickness : CEM3 / 1.6mm [0.06]
- ※Optional chassis and cover material : Electric galvanizing steel board.
- ※Dimensions in mm, [] =inches

※Keep drawing current per pin below 5A for CN2.

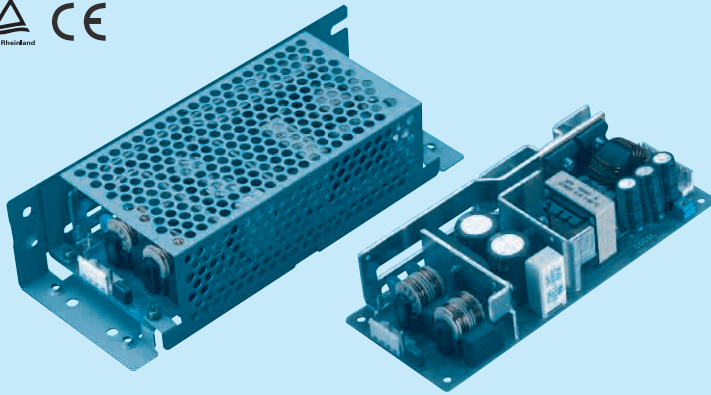
LGA100A

LG A 100 A -5 -□

① ② ③ ④ ⑤ ⑥



RoHS



Recommended EMI/EMC Filter
NAC-06-472



High voltage pulse noise type : NAP series
Low leakage current type : NAM series
*The EMI/EMC Filter is recommended to connect with several devices.

- ① Series name
- ② Single output
- ③ Output wattage
- ④ 100/120V input
- ⑤ Output voltage
- ⑥ Optional
- C :with Coating
- G :Low leakage current
- H :with the function to be acceptable to output peak current (only 24V)
- J1 :VH(J.S.T.)connector type
- S :with Chassis
- SN:with Chassis & cover
- Y :with Potentiometer

This power supply is manufactured by SMD technology.The stress to P.C.B like twisting or bending causes the defect of the unit,so handle the unit with care.

MODEL	LGA100A-3R3-Y	LGA100A-5-Y	LGA100A-12	LGA100A-15	LGA100A-24	LGA100A-24-H	LGA100A-48
MAX OUTPUT WATTAGE[W]	66	100	102	105	103.2	103.2	100.8
DC OUTPUT	3.3V 20A	5V 20A	12V 8.5A	15V 7A	24V 4.3A	24V 4.3 (Peak 5.4) A	48V 2.1A

SPECIFICATIONS

	MODEL	LGA100A-3R3-Y	LGA100A-5-Y	LGA100A-12	LGA100A-15	LGA100A-24	LGA100A-24-H	LGA100A-48	
INPUT	VOLTAGE[V]	AC85 - 132 1 φ (Refer to Instruction Manual 1.1, and 3.2 Derating)							
	CURRENT[A]	ACIN 100V	1.6typ (Io=100%)	2.4typ (Io=100%)					
	FREQUENCY[Hz]	47 - 440 (Refer to Instruction Manual 1.1)							
	EFFICIENCY[%]	ACIN 100V	76.0typ (Io=100%)	80.0typ (Io=100%)	83.0typ (Io=100%)	84.0typ (Io=100%)	85.5typ (Io=100%)	85.5typ (Io=100%)	85.5typ (Io=100%)
	INRUSH CURRENT[A]	ACIN 100V	15typ (Io=100%, More than 10sec. to re-start)						
	LEAKAGE CURRENT[ma]	0.5max (ACIN 100V, 60Hz, Io=100%, According to IEC60950-1 and DEN-AN)							
OUTPUT	VOLTAGE[V]	3.3	5	12	15	24	24	48	
	CURRENT[A]	*3	20.0	20.0	8.5	7.0	4.3	4.3 (Peak 5.4)	2.1
	LINE REGULATION[mV]		20max	20max	48max	60max	96max	96max	192max
	LOAD REGULATION[mV]		40max	40max	100max	120max	150max	150max	300max
	RIPPLE[mVp-p]	0 to +50°C *1	80max	80max	120max	120max	120max	240max	150max
		-10 - 0°C *1	140max	140max	160max	160max	160max	320max	200max
	RIPPLE NOISE[mVp-p]	0 to +50°C *1	120max	120max	150max	150max	150max	300max	350max
		-10 - 0°C *1	160max	160max	180max	180max	180max	360max	400max
	TEMPERATURE REGULATION[mV]	0 to +50°C	50max	50max	120max	150max	240max	240max	480max
		-10 to +50°C	60max	60max	150max	180max	290max	290max	600max
	DRIFT[mV]	*2	20max	20max	48max	60max	96max	96max	192max
START-UP TIME[ms]	200max (ACIN 100V, Io=100%)								
HOLD-UP TIME[ms]	20typ (ACIN 100V, Io=100%)								
OUTPUT VOLTAGE ADJUSTMENT RANGE[V]	2.85 - 3.63		4.50 - 5.50		Fixed ("Y"which can be adjusted the output is available as optional ±10%)				
OUTPUT VOLTAGE SETTING[V]	3.30 - 3.40		5.00 - 5.15		11.50 - 12.50	14.40 - 15.60	23.00 - 25.00	23.00 - 25.00	46.00 - 50.00
PROTECTION CIRCUIT AND OTHERS	OVERCURRENT PROTECTION	Works over 105% of rating (works over 101% of peak current at option -H) and recovers automatically							
	OVERVOLTAGE PROTECTION	4.00 - 5.25	5.75 - 7.00	13.80 - 16.80	17.30 - 21.00	27.60 - 35.00	27.60 - 35.00	55.20 - 67.20	
	OPERATING INDICATION	Not provided							
	REMOTE SENSING	Not provided							
ISOLATION	REMOTE ON/OFF	Not provided							
	INPUT-OUTPUT	AC2.000V 1minute, Cutoff current = 10mA, DC500V 50MΩ min (At Room Temperature)							
	INPUT-FG	AC2.000V 1minute, Cutoff current = 10mA, DC500V 50MΩ min (At Room Temperature)							
ENVIRONMENT	OUTPUT-FG	AC500V 1minute, Cutoff current = 25mA, DC500V 50MΩ min (At Room Temperature)							
	OPERATING TEMP.,HUMID.AND ALTITUDE	-10 to +60°C, 20 - 90%RH (Non condensing) (Refer to Instruction Manual 3.2), 3,000m (10,000feet) max							
	STORAGE TEMP.,HUMID.AND ALTITUDE	-20 to +75°C, 20 - 90%RH (Non condensing), 9,000m (30,000feet) max							
	VIBRATION	10 - 55Hz, 19.6m/s ² (2G), 3minutes period, 60minutes each along X, Y and Z axis							
SAFETY AND NOISE REGULATIONS	IMPACT	196.1m/s ² (20G), 11ms, once each X, Y and Z axis							
	AGENCY APPROVALS	UL60950-1, C-UL (CSA60950-1), EN60950-1 Complies with DEN-AN							
OTHERS	CONDUCTED NOISE	Complies with FCC-B, VCCI-B, CISPR-B, EN55011-B, EN55022-B							
	CASE SIZE/WEIGHT	62 x 35.5 x 155mm [2.44 x 1.4 x 6.1 inches] (W x H x D) / 300g max (with chassis & cover : 530g max)							
	COOLING METHOD	Convection (Refer to Instruction Manual 3.2)							

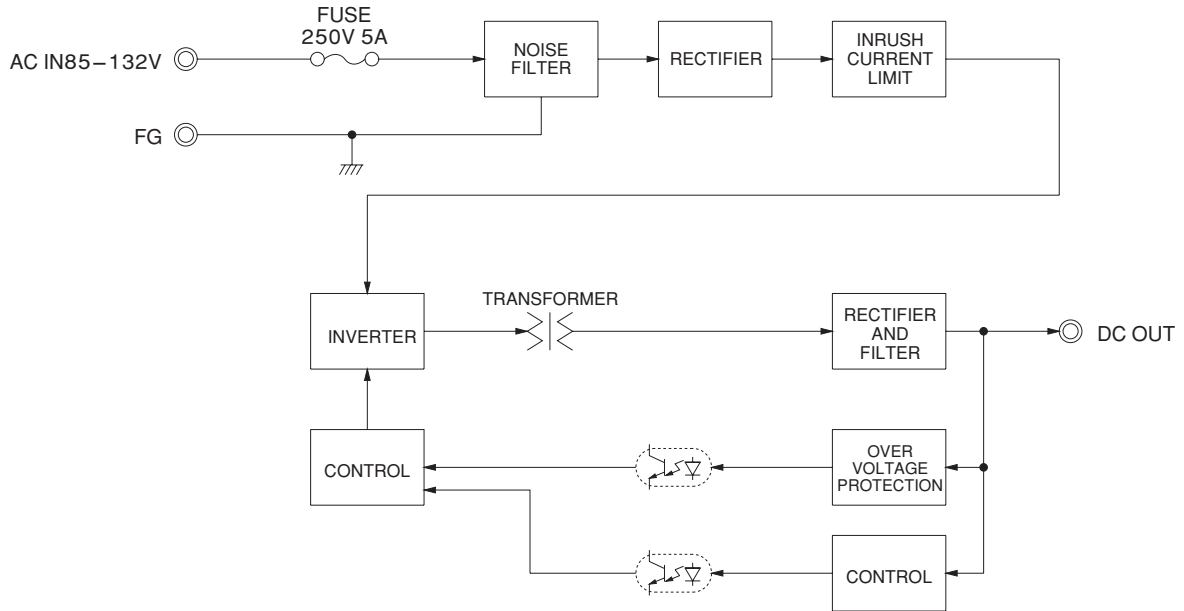
*1 This is the value that measured on measuring board with capacitor of 22 μF at 150mm from output terminal.
Measured by 20MHz oscilloscope or Ripple-Noise meter (Equivalent to KEISOKU-GIKEN: RM-103).

*2 Drift is the change in DC output for an eight hour period after a half-hour warm-up at 25°C, with the input voltage held constant at the rated input/output.

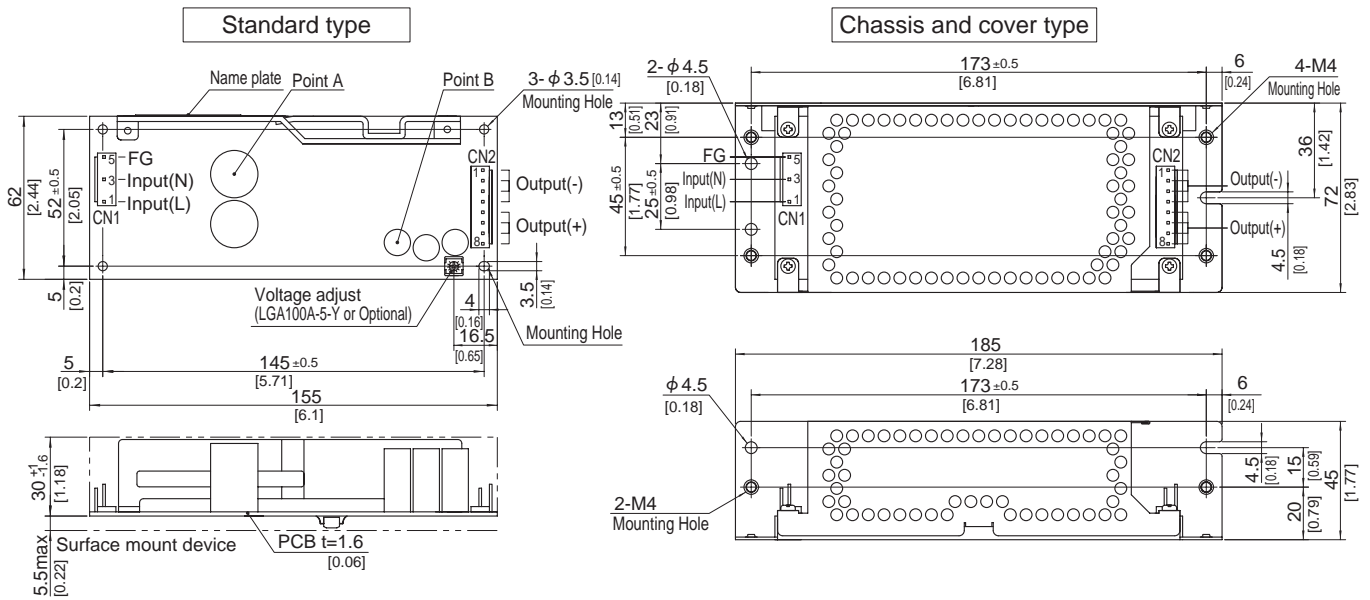
*3 Peak loading for 10sec.And Duty 35% max.or less is acceptable if the total wattage is less than the rated wattage.
Refer to instruction Manual 5. In detail.

- * Avoid prolonged use under over - load.
- * Parallel operation with other model is not possible.
- * Derating is required when operated with chassis and cover.
- * A sound may occur from power supply at pulse loading.

Block diagram



External view



※ This power supply is manufactured by SMD technology.
The stress to P.C.B like twisting or bending causes the defect of the unit, so handle the unit with care.
Take care for SMD parts on the back to come in contact because of the vibration and not to break down.

※ Use the spacer of 8mm length or more.
※ 4 Mounting holes are existing.

I/O Connector	Mating connector	Terminal
CN1	1-1123724-3	Chain 1123721-1
		Loose 1318912-1
CN2	1-1123723-8	Chain 1123721-1
		Loose 1318912-1

(Mfr: Tyco Electronics AMP)

※ I/O Connector is Mfr Tyco Electronics AMP
※ Option: -J1: VH(J.S.T) connector type.
Refer to instruction Manual 5.

<PIN CONNECTION>

CN1		CN2	
Pin No.	Input	Pin No.	Output
1	AC(L)	1 to 4	-V
2		5 to 8	+V
3	AC(N)		
4			
5	FG		

※ Keep drawing current per pin below 5A for CN2.

※ Mounting torque: 1.5N·m (16kgf·cm) max

※ Tolerance : ±1 [±0.04]

※ Weight : 300g max (with chassis & cover : 530g max)

※ PCB material / thickness : CEM3 / 1.6mm [0.06]

※ Optional chassis and cover material : Electric galvanizing steel board.

※ Dimensions in mm, [] = inches

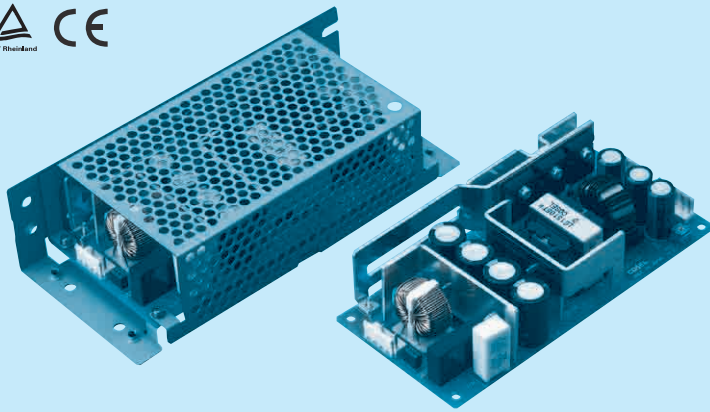
LGA150A

LG A 150 A -5 -□

① ② ③ ④ ⑤ ⑥



RoHS



Recommended EMI/EMC Filter
NAC-06-472



High voltage pulse noise type : NAP series
Low leakage current type : NAM series
*The EMI/EMC Filter is recommended to connect with several devices.

- ① Series name
- ② Single output
- ③ Output wattage
- ④ 100/120V input
- ⑤ Output voltage
- ⑥ Optional
- C :with Coating
- G :Low leakage current
- H :with the function to be acceptable to output peak current (only 24V)
- J1 :VH(J.S.T.)connector type
- S :with Chassis
- SN:with Chassis & cover
- Y :with Potentiometer

This power supply is manufactured by SMD technology. The stress to P.C.B like twisting or bending causes the defect of the unit, so handle the unit with care.

MODEL	LGA150A-3R3-Y	LGA150A-5-Y	LGA150A-12	LGA150A-15	LGA150A-24	LGA150A-24-H	LGA150A-48
MAX OUTPUT WATTAGE[W]	99	150	150	150	151.2	151.2	153.6
DC OUTPUT	3.3V 30A	5V 30A	12V 12.5A	15V 10A	24V 6.3A	24V 6.3 (Peak 7.9) A	48V 3.2A

SPECIFICATIONS

	MODEL	LGA150A-3R3-Y	LGA150A-5-Y	LGA150A-12	LGA150A-15	LGA150A-24	LGA150A-24-H	LGA150A-48	
INPUT	VOLTAGE[V]	AC85 - 132 1 φ (Refer to Instruction Manual 1.1, and 3.2 Derating)							
	CURRENT[A]	ACIN 100V	2.6typ (Io=100%)	3.6typ (Io=100%)					
	FREQUENCY[Hz]	47 - 440 (Refer to Instruction Manual 1.1)							
	EFFICIENCY[%]	ACIN 100V	76.0typ (Io=100%)	82.0typ (Io=100%)	84.5typ (Io=100%)	85.5typ (Io=100%)	87.0typ (Io=100%)	87.0typ (Io=100%)	87.0typ (Io=100%)
	INRUSH CURRENT[A]	ACIN 100V	15 /15 typ (Primary / Secondary Surge Current, Io=100%, More than 10sec. to re-start)						
	LEAKAGE CURRENT[ma]	0.5max (ACIN 100V, 60Hz, Io=100%, According to IEC60950-1 and DEN-AN)							
OUTPUT	VOLTAGE[V]	3.3	5	12	15	24	24	48	
	CURRENT[A]	*3	30.0	30.0	12.5	10.0	6.3	6.3 (Peak 7.9)	3.2
	LINE REGULATION[mV]	20max		20max	48max	60max	96max	96max	192max
	LOAD REGULATION[mV]	40max		40max	100max	120max	150max	150max	300max
	RIPPLE[mVp-p]	0 to +40°C *1	80max	80max	120max	120max	120max	240max	150max
		-10 - 0°C *1	140max	140max	160max	160max	160max	320max	200max
	RIPPLE NOISE[mVp-p]	0 to +40°C *1	120max	120max	150max	150max	150max	300max	350max
		-10 - 0°C *1	160max	160max	180max	180max	180max	360max	400max
	TEMPERATURE REGULATION[mV]	0 to +40°C	50max	50max	120max	150max	180max	240max	480max
		-10 to +40°C	60max	60max	150max	180max	290max	290max	600max
	DRIFT[mV]	*2	20max	20max	48max	60max	96max	96max	192max
START-UP TIME[ms]	200max (ACIN 100V, Io=100%)								
HOLD-UP TIME[ms]	20typ (ACIN 100V, Io=100%)								
OUTPUT VOLTAGE ADJUSTMENT RANGE[V]	2.85 - 3.63		4.50 - 5.50	Fixed ("Y" which can be adjusted the output is available as optional ±10%)					
OUTPUT VOLTAGE SETTING[V]	3.30 - 3.40		5.00 - 5.15	11.50 - 12.50	14.40 - 15.60	23.00 - 25.00	23.00 - 25.00	46.00 - 50.00	
PROTECTION CIRCUIT AND OTHERS	OVERCURRENT PROTECTION	Works over 105% of rating (works over 101% of peak current at option -H) and recovers automatically							
	OVERVOLTAGE PROTECTION	4.00 - 5.25	5.75 - 7.00	13.80 - 16.80	17.30 - 21.00	27.60 - 35.00	27.60 - 35.00	55.20 - 67.20	
	OPERATING INDICATION	Not provided							
	REMOTE SENSING	Not provided							
ISOLATION	REMOTE ON/OFF	Not provided							
	INPUT-OUTPUT	AC2.000V 1minute, Cutoff current = 10mA, DC500V 50MΩ min (At Room Temperature)							
	INPUT-FG	AC2.000V 1minute, Cutoff current = 10mA, DC500V 50MΩ min (At Room Temperature)							
ENVIRONMENT	OUTPUT-FG	AC500V 1minute, Cutoff current = 25mA, DC500V 50MΩ min (At Room Temperature)							
	OPERATING TEMP., HUMID. AND ALTITUDE	-10 to +60°C, 20 - 90%RH (Non condensing) (Refer to Instruction Manual 3.2), 3,000m (10,000feet) max							
	STORAGE TEMP., HUMID. AND ALTITUDE	-20 to +75°C, 20 - 90%RH (Non condensing), 9,000m (30,000feet) max							
	VIBRATION	10 - 55Hz, 19.6m/s ² (2G), 3minutes period, 60minutes each along X, Y and Z axis							
SAFETY AND NOISE REGULATIONS	IMPACT	196.1m/s ² (20G), 11ms, once each X, Y and Z axis							
	AGENCY APPROVALS	UL60950-1, C-UL (CSA60950-1), EN60950-1 Complies with DEN-AN							
OTHERS	CONDUCTED NOISE	Complies with FCC-B, VCCI-B, CISPR-B, EN55011-B, EN55022-B							
	CASE SIZE/WEIGHT	75 x 39 x 160mm [2.95 x 1.54 x 6.3 inches] (W x H x D) / 420g max (with chassis & cover : 650g max)							
	COOLING METHOD	Convection (Refer to Instruction Manual 3.2)							

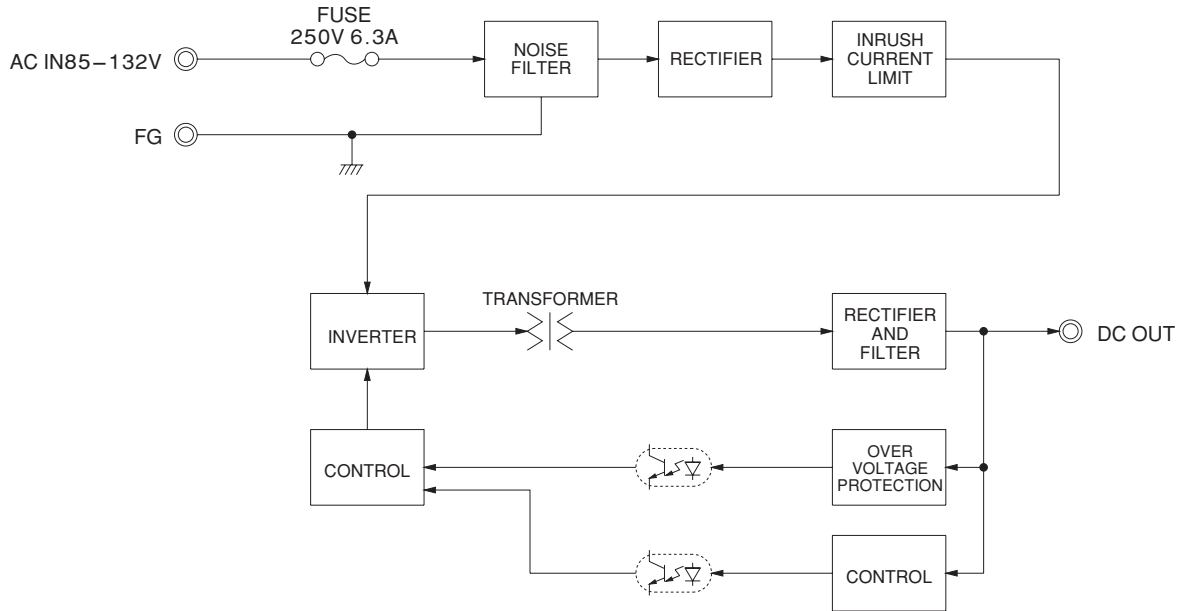
*1 This is the value that measured on measuring board with capacitor of 22 μF at 150mm from output terminal.
Measured by 20MHz oscilloscope or Ripple-Noise meter (Equivalent to KEISOKU-GIKEN: RM-103).

*2 Drift is the change in DC output for an eight hour period after a half-hour warm-up at 25°C, with the input voltage held constant at the rated input/output.

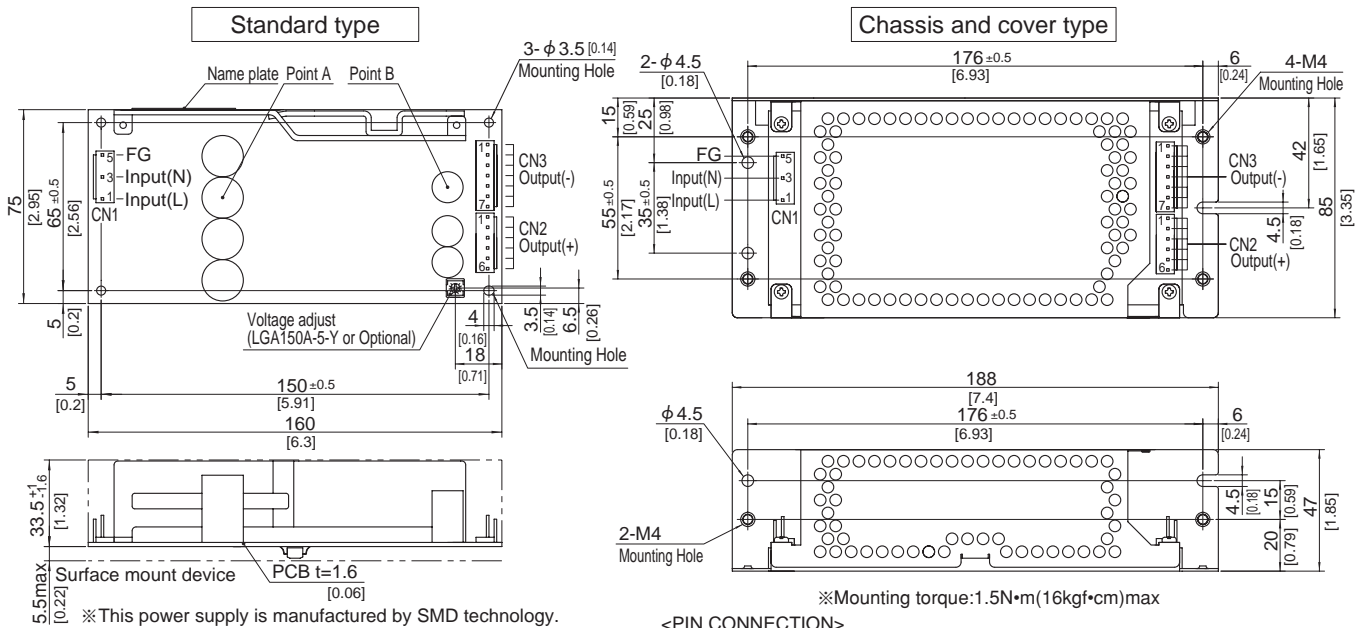
*3 Peak loading for 10sec. And Duty 35% max. or less is acceptable if the total wattage is less than the rated wattage.
Refer to instruction Manual 5. In detail.

- * Avoid prolonged use under over - load.
- * Parallel operation with other model is not possible.
- * Derating is required when operated with chassis and cover.
- * A sound may occur from power supply at pulse loading.

Block diagram



External view



- ※ This power supply is manufactured by SMD technology. The stress to P.C.B like twisting or bending causes the defect of the unit, so handle the unit with care. Take care for SMD parts on the back to come in contact because of the vibration and not to break down.
- ※ Use the spacer of 8mm length or more.
- ※ 4 Mounting holes are existing.

I/O Connector	Mating connector	Terminal
CN1	1-1123724-3	Chain 1123721-1
		Loose 1318912-1
CN2	1-1123723-6	Chain 1123721-1
		Loose 1318912-1
CN3	1-1123722-7	Chain 1123721-1
		Loose 1318912-1

(Mfr: Tyco Electronics AMP)

- ※ I/O Connector is Mfr Tyco Electronics AMP
- ※ Option: -J1: VH(J.S.T) connector type. Refer to instruction Manual 5.

<PIN CONNECTION>

CN1		CN2		CN3	
Pin No.	Input	Pin No.	Output	Pin No.	Output
1	AC(L)	1 to 6	+V	1 to 7	-V
2					
3	AC(N)				
4					
5	FG				

※ Keep drawing current per pin below 5A for CN2, CN3.

- ※ Tolerance : ± 1 [± 0.04]
- ※ Weight : 420g max (with chassis & cover : 650g max)
- ※ PCB material / thickness : CEM3 / 1.6mm [0.06]
- ※ Optional chassis and cover material : Electric galvanizing steel board.
- ※ Dimensions in mm, []=inches

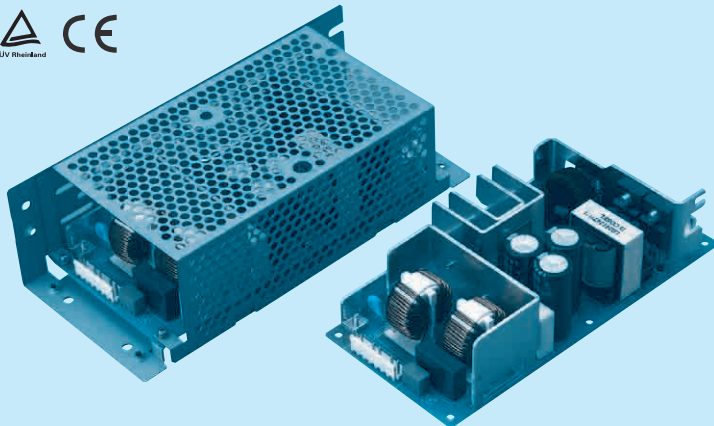
LGA240A

LG A 240 A -5 -□

① ② ③ ④ ⑤ ⑥



RoHS



Recommended EMI/EMC Filter
NAC-16-472



High voltage pulse noise type : NAP series
Low leakage current type : NAM series
*The EMI/EMC Filter is recommended to connect with several devices.

- ① Series name
- ② Single output
- ③ Output wattage
- ④ 100/120V input
- ⑤ Output voltage
- ⑥ Optional
- C :with Coating
- G :Low leakage current
- H :with the function to be acceptable to output peak current (only 24V)
- J1 :VH(J.S.T.)connector type
- S :with Chassis
- SN:with Chassis & cover
- T :Vertical terminal block
- Y :with Potentiometer

This power supply is manufactured by SMD technology.The stress to P.C.B like twisting or bending causes the defect of the unit,so handle the unit with care.

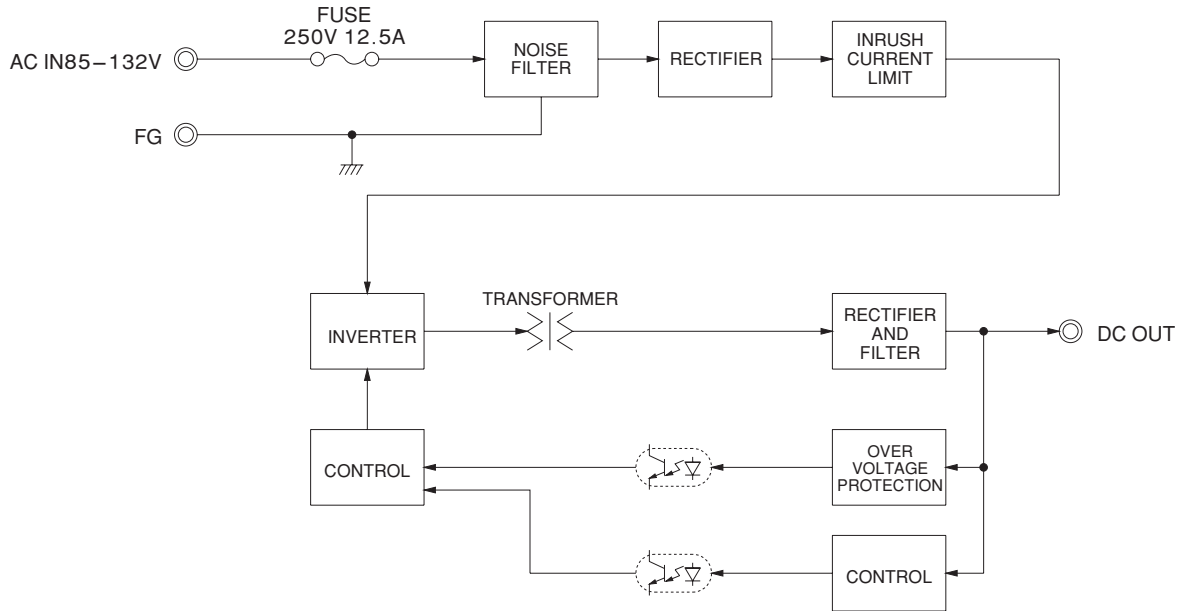
MODEL	LGA240A-24	LGA240A-24-H
MAX OUTPUT WATTAGE[W]	240	240
DC OUTPUT	24V 10A	24V 10 (Peak 12.5) A

SPECIFICATIONS

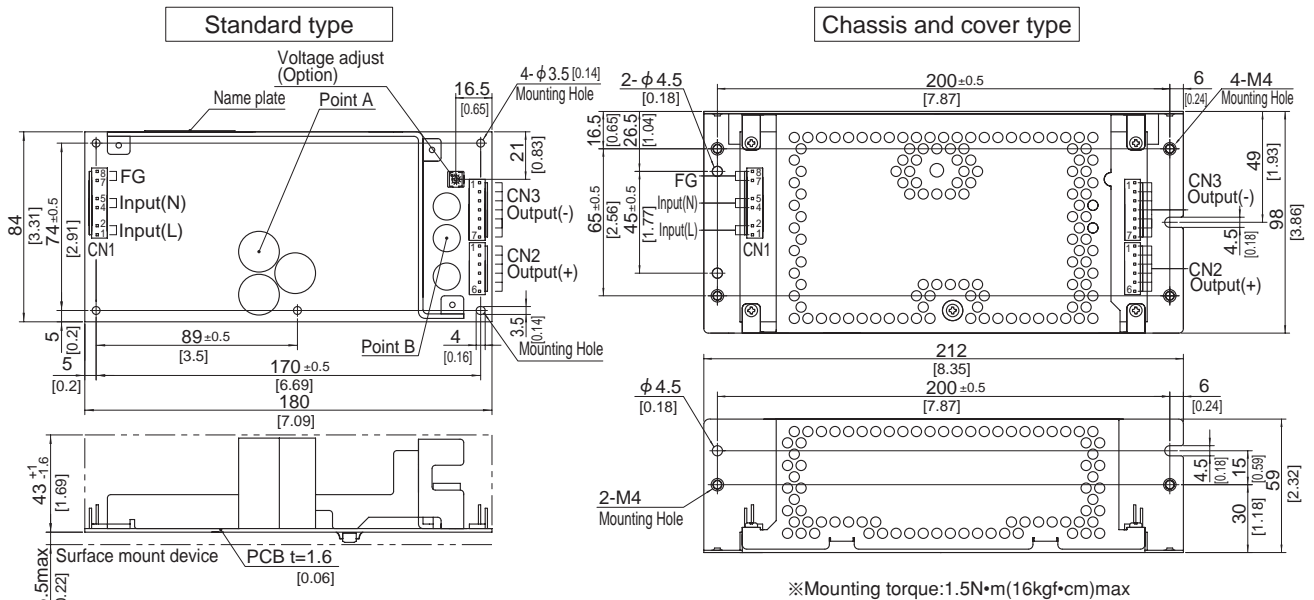
	MODEL	LGA240A-24	LGA240A-24-H	
INPUT	VOLTAGE[V]	AC85 - 132 1 φ (Refer to Instruction Manual 1.1, and 3.2 Derating)		
	CURRENT[A]	ACIN 100V	5.0typ (Io=100%)	
	FREQUENCY[Hz]	47 - 440 (Refer to Instruction Manual 1.1)		
	EFFICIENCY[%]	ACIN 100V	86.5typ (Io=100%)	
	INRUSH CURRENT[A]	ACIN 100V	15 / 20 typ (Primary / Secondary Surge Current, Io=100%, More than 10sec. to re-start)	
	LEAKAGE CURRENT[ma]	0.5max (ACIN 100V, 60Hz, Io=100%, According to IEC60950-1 and DEN-AN)		
OUTPUT	VOLTAGE[V]	24	24	
	CURRENT[A]	*3 10.0	10.0 (Peak 12.5)	
	LINE REGULATION[mV]	96max	96max	
	LOAD REGULATION[mV]	150max	150max	
	RIPPLE[mVp-p]	0 to +40°C *1	120max	240max
		-10 - 0°C *1	160max	320max
	RIPPLE NOISE[mVp-p]	0 to +40°C *1	150max	300max
		-10 - 0°C *1	180max	360max
	TEMPERATURE REGULATION[mV]	0 to +40°C	240max	240max
		-10 to +40°C	290max	290max
	DRIFT[mV]	*2 96max	96max	
START-UP TIME[ms]	200max (ACIN 100V, Io=100%)			
HOLD-UP TIME[ms]	20typ (ACIN 100V, Io=100%)			
OUTPUT VOLTAGE ADJUSTMENT RANGE[V]	Fixed (*Y which can be adjusted the output is available as optional ± 10%)			
OUTPUT VOLTAGE SETTING[V]	23.00 - 25.00	23.00 - 25.00		
PROTECTION CIRCUIT AND OTHERS	OVERCURRENT PROTECTION	Works over 105% of rating (works over 101% of peak current at option -H) and recovers automatically		
	OVERVOLTAGE PROTECTION	27.60 - 35.00	27.60 - 35.00	
	OPERATING INDICATION	Not provided		
	REMOTE SENSING	Not provided		
	REMOTE ON/OFF	Not provided		
ISOLATION	INPUT-OUTPUT	AC2.000V 1minute, Cutoff current = 10mA, DC500V 50MΩ min (At Room Temperature)		
	INPUT-FG	AC2.000V 1minute, Cutoff current = 10mA, DC500V 50MΩ min (At Room Temperature)		
	OUTPUT-FG	AC500V 1minute, Cutoff current = 25mA, DC500V 50MΩ min (At Room Temperature)		
ENVIRONMENT	OPERATING TEMP.,HUMID.AND ALTITUDE	-10 to +60°C, 20 - 90%RH (Non condensing) (Refer to Instruction Manual 3.2), 3,000m (10,000feet) max		
	STORAGE TEMP.,HUMID.AND ALTITUDE	-20 to +75°C, 20 - 90%RH (Non condensing), 9,000m (30,000feet) max		
	VIBRATION	10 - 55Hz, 19.6m/s ² (2G), 3minutes period, 60minutes each along X, Y and Z axis		
	IMPACT	196.1m/s ² (20G), 11ms, once each X, Y and Z axis		
SAFETY AND NOISE REGULATIONS	AGENCY APPROVALS	UL60950-1, C-UL (CSA60950-1), EN60950-1 Complies with DEN-AN		
	CONDUCTED NOISE	Complies with FCC-B, VCCI-B, CISPR-B, EN55011-B, EN55022-B		
OTHERS	CASE SIZE/WEIGHT	84 x 48.5 x 180mm [3.31 x 1.91 x 7.09 inches] (W x H x D) / 590g max (with chassis & cover : 880g max)		
	COOLING METHOD	Convection (Refer to Instruction Manual 3.2)		

- *1 This is the value that measured on measuring board with capacitor of 22 μF at 150mm from output terminal. Measured by 20MHz oscilloscope or Ripple-Noise meter (Equivalent to KEISOKU-GIKEN: RM-103).
- *2 Drift is the change in DC output for an eight hour period after a half-hour warm-up at 25°C, with the input voltage held constant at the rated input/output.
- *3 Peak loading for 10sec.And Duty 35% max.or less is acceptable if the total wattage is less than the rated wattage. Refer to instruction Manual 5. In detail.
- * Avoid prolonged use under over - load.
- * Parallel operation with other model is not possible.
- * Derating is required when operated with chassis and cover.
- * A sound may occur from power supply at pulse loading.

Block diagram



External view



- ※ This power supply is manufactured by SMD technology. The stress to P.C.B like twisting or bending causes the defect of the unit, so handle the unit with care. Take care for SMD parts on the back to come in contact because of the vibration and not to break down.
- ※ Use the spacer of 8mm length or more.
- ※ 5 Mounting holes are existing.

I/O Connector	Mating connector	Terminal	
CN1	7-1565036-6	1-1123722-8	Chain 1123721-1
			Loose 1318912-1
CN2	1-1123723-6	1-1123722-6	Chain 1123721-1
			Loose 1318912-1
CN3	1-1123723-7	1-1123722-7	Chain 1123721-1
			Loose 1318912-1

(Mfr: Tyco Electronics AMP)

- ※ I/O Connector is Mfr Tyco Electronics AMP
- ※ Option: -J1: VH(J.S.T) connector type. Refer to instruction Manual 5.

<PIN CONNECTION>

CN1		CN2		CN3	
Pin No.	Input	Pin No.	Output	Pin No.	Output
1, 2	AC(L)	1 to 6	+V	1 to 7	-V
3					
4, 5	AC(N)				
6					
7, 8	FG				

※ Keep drawing current per pin below 5A for CN1, CN2 and CN3.

- ※ Tolerance : ± 1 [± 0.04]
- ※ Weight : 590g max (with chassis & cover : 880g max)
- ※ PCB material / thickness : CEM3 / 1.6mm [0.06]
- ※ Optional chassis and cover material : Electric galvanizing steel board.
- ※ Dimensions in mm, []=inches

Mouser Electronics

Authorized Distributor

Click to View Pricing, Inventory, Delivery & Lifecycle Information:

Cosel:

[LGA75A-12-S](#) [LGA100A-24-HSN](#) [LGA75A-5-C](#) [LGA100A-24-SNJ1](#) [LGA150A-12-GJ1](#) [LGA75A-24-SNJ1](#) [LGA50A-12-SY](#) [LGA150A-24-Y](#) [LGA50A-24-SNJ1](#) [LGA240A-24-SNJ1Y](#) [LGA50A-12-G](#) [LGA100A-24-HJ1Y](#) [LGA240A-24-SJ1](#) [LGA50A-5-SNJ1](#) [LGA50A-5-Y](#) [LGA150A-48-C](#) [LGA75A-5-J1](#) [LGA100A-5-J1Y](#) [LGA75A-24-S](#) [LGA50A-12-SN](#) [LGA150A-12-Y](#) [LGA50A-24-J1Y](#) [LGA100A-12-C](#) [N-LGA100](#) [LGA100A-24-GJ1](#) [LGA75A-5-SN](#) [LGA150A-24-HSNJ1](#) [LGA150A-24-J1Y](#) [LGA150A-12-S](#) [LGA240A-24-HSNJ1](#) [LGA150A-5-GY](#) [LGA150A-24-SNJ1](#) [LGA50A-5](#) [LGA100A-24-C](#) [LGA150A-5-SNY](#) [LGA240A-24-HSJ1](#) [LGA50A-24-GJ1](#) [LGA75A-24-CJ1](#) [LGA150A-24-C](#) [LGA100A-24-Y](#) [LGA100A-24-HSNY](#) [LGA75A-12-GJ1](#) [LGA150A-24-HJ1](#) [LGA50A-3R3-Y](#) [LGA50A-5-SJ1Y](#) [LGA50A-12](#) [LGA100A-24-S](#) [LGA240A-24-H](#) [LGA100A-12-Y](#) [LGA100A-12-GJ1](#) [LGA50A-24-SJ1](#) [LGA50A-5-G](#) [LGA100A-12-SNC](#) [S-LGA240](#) [LGA75A-24-H](#) [LGA100A-5-SNY](#) [LGA50A-12-Y](#) [LGA50A-24-SN](#) [LGA100A-24-HSNJ1](#) [LGA50A-12-C](#) [LGA150A-12-SN](#) [LGA50A-24-HJ1Y](#) [LGA100A-24-H](#) [N-LGA75](#) [LGA50A-24-SNJ1Y](#) [LGA100A-3R3-Y](#) [LGA50A-12-SCJ1](#) [LGA240A-24-T](#) [LGA50A-5-J1](#) [LGA75A-12-SNJ1Y](#) [LGA240A-24-C](#) [LGA150A-15](#) [LGA100A-24-CJ1Y](#) [LGA50A-12-SNJ1](#) [LGA75A-5-J1Y](#) [LGA150A-12-J1](#) [LGA75A-5-CY](#) [LGA75A-12-SJ1](#) [LGA75A-24-G](#) [LGA50A-24-H](#) [LGA150A-24-H](#) [LGA150A-12-SNJ1](#) [LGA75A-12-SNJ1](#) [LGA240A-24](#) [LGA50A-24-HSN](#) [LGA100A-12-S](#) [LGA100A-5-SJ1Y](#) [LGA150A-3R3-Y](#) [LGA75A-24-SN](#) [LGA50A-5-SNY](#) [LGA150A-5-SY](#) [LGA100A-12-SJ1Y](#) [LGA100A-12-CJ1Y](#) [LGA75A-12](#) [LGA75A-5-Y](#) [LGA75A-3R3-Y](#) [LGA150A-24-S](#) [LGA75A-24-HGJ1](#) [LGA100A-5-SY](#) [LGA50A-24-HJ1](#)

Данный компонент на территории Российской Федерации

Вы можете приобрести в компании MosChip.

Для оперативного оформления запроса Вам необходимо перейти по данной ссылке:

<http://moschip.ru/get-element>

Вы можете разместить у нас заказ для любого Вашего проекта, будь то серийное производство или разработка единичного прибора.

В нашем ассортименте представлены ведущие мировые производители активных и пассивных электронных компонентов.

Нашей специализацией является поставка электронной компонентной базы двойного назначения, продукции таких производителей как XILINX, Intel (ex.ALTERA), Vicor, Microchip, Texas Instruments, Analog Devices, Mini-Circuits, Amphenol, Glenair.

Сотрудничество с глобальными дистрибьюторами электронных компонентов, предоставляет возможность заказывать и получать с международных складов практически любой перечень компонентов в оптимальные для Вас сроки.

На всех этапах разработки и производства наши партнеры могут получить квалифицированную поддержку опытных инженеров.

Система менеджмента качества компании отвечает требованиям в соответствии с ГОСТ Р ИСО 9001, ГОСТ РВ 0015-002 и ЭС РД 009

Офис по работе с юридическими лицами:

105318, г.Москва, ул.Щербаковская д.3, офис 1107, 1118, ДЦ «Щербаковский»

Телефон: +7 495 668-12-70 (многоканальный)

Факс: +7 495 668-12-70 (доб.304)

E-mail: info@moschip.ru

Skype отдела продаж:

moschip.ru

moschip.ru_4

moschip.ru_6

moschip.ru_9