



Main

| | |
|-----------------------------|------------------|
| Range of product | Phaseo Universal |
| Product or component type | Converter module |
| Rated power in W | 30 W |
| Input voltage | 24...28.8 V DC |
| Output voltage | 5 V DC |
| Power supply output current | 6 A |

Complementary

| | |
|--------------------------|-----------------------------------------------------------------------------------------------------------------------------------------------------------------------------------------------------------------------------------------------------------------------------------------------------------------------------------------------------------------------------------------------------------------------|
| Input voltage limits | 22...30 V |
| Efficiency | 80 % |
| Power dissipation in W | 7 W |
| Input protection type | Against reverse polarity |
| Output voltage limits | 5...6.5 V |
| Line and load regulation | 1...3 % |
| Residual ripple | <= 100 mV |
| Output protection type | Against overload, protection technology: automatic reset Against overvoltage, protection technology: tripping if U > 7.8 V, automatic reset Against short-circuits, protection technology: automatic reset |
| Connections - terminals | Screw type terminals input connection, connection capacity: 2 x 0.5...2 x 4 mm ² AWG 24...AWG 10 Screw type terminals output connection, connection capacity: 2 x 0.5...2 x 4 mm ² AWG 24...AWG 10 |
| Fixing mode | By clips on 35 mm symmetrical DIN rail, operating position: horizontal with derating to 40 % By clips on 35 mm symmetrical DIN rail, operating position: vertical |
| Operating altitude | 6561.68 ft (2000 m) |
| Name of test | Conducted/radiated emissions conforming to EN 55022 Class B Electrostatic discharges conforming to EN/IEC 61000-4-2 Emission conforming to EN 61000-6-3 Induced electromagnetic field conforming to EN/IEC 61000-4-6 level 3 Radiated electromagnetic field conforming to EN/IEC 61000-4-3 level 3 Rapid transient conforming to IEC 61000-4-4 level 3 Surge conforming to EN/IEC 61000-4-5 level 2 |
| Local signalling | 1 LED green, function: output voltage (> 4 V) |
| Product weight | 0.66 lb(US) (0.3 kg) |

Environment

| | |
|---------------------------------------|-----------------------------------------------------------------------------------------------------|
| IP degree of protection | IP20 conforming to EN/IEC 60529 |
| ambient air temperature for operation | -13...140 °F (-25...60 °C) |
| ambient air temperature for storage | -40...185 °F (-40...85 °C) |
| relative humidity | 0...90 % during operation 0...95 % during storage |
| overvoltage category | Class 3 |
| vibration resistance | (f = 11.9...150 Hz) conforming to EN/IEC 61131-2 (f = 3...11.9 Hz) conforming to EN/IEC 61131-2 |
| dielectric strength | 500 V between input and ground 500 V between input and output 500 V between output and ground |
| product certifications | CCSAus UL RCM |

The information provided in this documentation contains general descriptions and/or technical characteristics of the products contained herein. This documentation is not intended as a substitute for and is not to be used for determining suitability or reliability of these products for specific user applications. It is the duty of any such user or integrator to perform the appropriate and complete risk analysis, evaluation and testing of the products with respect to the relevant specific application or use thereof. Neither Schneider Electric Industries SAS nor any of its affiliates or subsidiaries shall be responsible or liable for misuse of the information contained herein.

EAC

environmental characteristic

EMC conforming to EN 50081-1
EMC conforming to EN 61000-6-3
EMC conforming to EN/IEC 61000-6-2
Safety conforming to EN/IEC 60950-1
Safety conforming to IEC 61204

Offer Sustainability

Not Green Premium product

Not Green Premium product

Compliant - since 0501 - Schneider Electric declaration of conformity

Compliant - since 0501 - Schneider Electric declaration of conformity

Reference not containing SVHC above the threshold

Reference not containing SVHC above the threshold

WARNING: This product can expose you to chemicals including:

WARNING: This product can expose you to chemicals including:

Lead and lead compounds, which is known to the State of California to cause cancer and birth defects or other reproductive harm.

Lead and lead compounds, which is known to the State of California to cause cancer and birth defects or other reproductive harm.

For more information go to www.p65warnings.ca.gov

For more information go to www.p65warnings.ca.gov

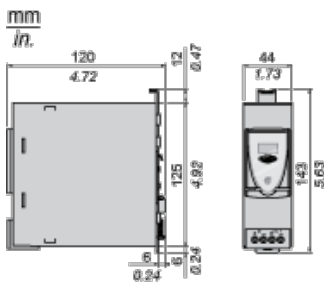
Contractual warranty

Warranty period

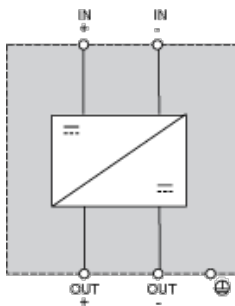
18 months

Converter Module

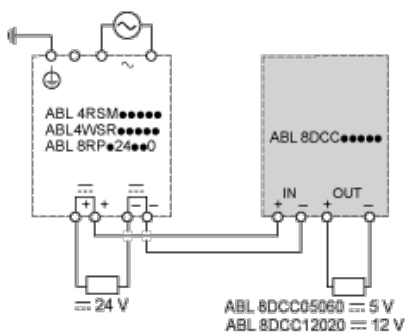
Dimensions



Internal Wiring Diagram



Scheme of Use with ABL4 Power Supplies



Данный компонент на территории Российской Федерации

Вы можете приобрести в компании MosChip.

Для оперативного оформления запроса Вам необходимо перейти по данной ссылке:

<http://moschip.ru/get-element>

Вы можете разместить у нас заказ для любого Вашего проекта, будь то серийное производство или разработка единичного прибора.

В нашем ассортименте представлены ведущие мировые производители активных и пассивных электронных компонентов.

Нашей специализацией является поставка электронной компонентной базы двойного назначения, продукции таких производителей как XILINX, Intel (ex.ALTERA), Vicor, Microchip, Texas Instruments, Analog Devices, Mini-Circuits, Amphenol, Glenair.

Сотрудничество с глобальными дистрибьюторами электронных компонентов, предоставляет возможность заказывать и получать с международных складов практически любой перечень компонентов в оптимальные для Вас сроки.

На всех этапах разработки и производства наши партнеры могут получить квалифицированную поддержку опытных инженеров.

Система менеджмента качества компании отвечает требованиям в соответствии с ГОСТ Р ИСО 9001, ГОСТ РВ 0015-002 и ЭС РД 009

Офис по работе с юридическими лицами:

105318, г.Москва, ул.Щербаковская д.3, офис 1107, 1118, ДЦ «Щербаковский»

Телефон: +7 495 668-12-70 (многоканальный)

Факс: +7 495 668-12-70 (доб.304)

E-mail: info@moschip.ru

Skype отдела продаж:

moschip.ru

moschip.ru_4

moschip.ru_6

moschip.ru_9