

Uni- and Bipolar Hall IC Switches for Magnetic Field Applications

TLE4905L, TLE4935L, TLE4945L, TLE4945-2L

Sensors



Never stop thinking.

Edition 2007-11

**published by Infineon Technologies AG,
Am Campeon 1-12,
81726 München, Germany**

**© Infineon Technologies AG 2007.
All Rights Reserved.**

Attention please!

The information herein is given to describe certain components and shall not be considered as a guarantee of characteristics. Terms of delivery and rights to technical change reserved.

We hereby disclaim any and all warranties, including but not limited to warranties of non-infringement, regarding circuits, descriptions and charts stated herein.

Information

For further information on technology, delivery terms and conditions and prices please contact your nearest Infineon Technologies Office (www.infineon.com).

Warnings

Due to technical requirements components may contain dangerous substances. For information on the types in question please contact your nearest Infineon Technologies Office.

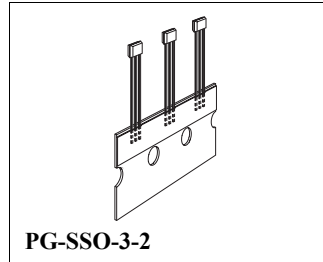
Infineon Technologies Components may only be used in life-support devices or systems with the express written approval of Infineon Technologies, if a failure of such components can reasonably be expected to cause the failure of that life-support device or system, or to affect the safety or effectiveness of that device or system. Life support devices or systems are intended to be implanted in the human body, or to support and/or maintain and sustain and/or protect human life. If they fail, it is reasonable to assume that the health of the user or other persons may be endangered.

Uni- and Bipolar Hall IC Switches for Magnetic Field Applications

TLE4905L, TLE4935L,
TLE4945L, TLE4945-2L

Features

- Digital output signal
- For unipolar and alternating magnetic fields
- Large temperature range
- Temperature compensated magnetic performance
- Protection against reversed polarity
- Output protection against electrical disturbances



| Type | Marking | Package |
|------------|---------|------------|
| TLE4905L | 05 L | PG-SSO-3-2 |
| TLE4935L | 35 L | PG-SSO-3-2 |
| TLE4935-2L | 35 2 | PG-SSO-3-2 |
| TLE4945L | 45 L | PG-SSO-3-2 |
| TLE4945-2L | 45 2 | PG-SSO-3-2 |

TLE4905/35/45/45-2 L (Unipolar/Bipolar Magnetic Field Switches) have been designed specifically for automotive and industrial applications. Reverse polarity protection is included on-chip as is output protection against negative voltage transients.

Typical applications are position/proximity indicators, brushless DC motor commutation, rotational indexing etc.

Pin Configuration

(view on branded side of component)

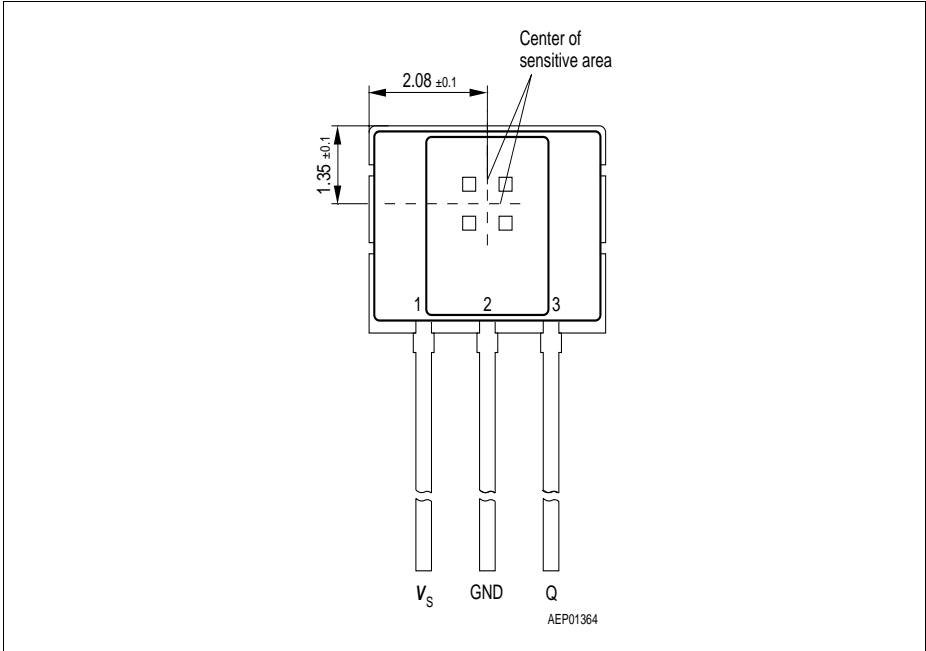


Figure 1

Pin Definitions and Functions

| Pin No. | Symbol | Function |
|---------|--------|----------------|
| 1 | V_S | Supply voltage |
| 2 | GND | Ground |
| 3 | Q | Output |

Circuit Description

The circuit includes Hall generator, amplifier and Schmitt-Trigger on one chip. The internal reference provides the supply voltage for the components. A magnetic field perpendicular to the chip surface induces a voltage at the hall probe. This voltage is amplified and switches a Schmitt-trigger with open-collector output. A protection diode against reverse power supply is integrated. The output is protected against electrical disturbances.

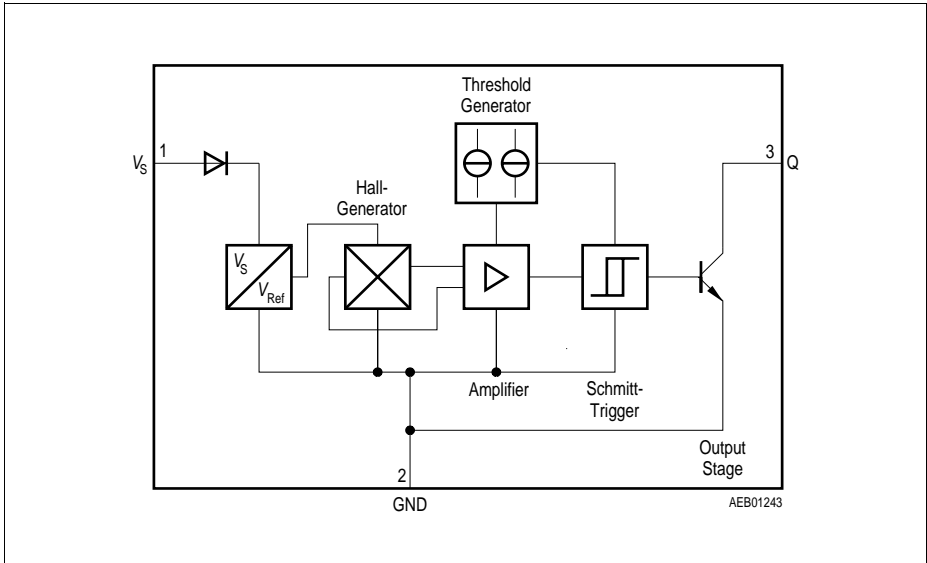


Figure 2 Block Diagram

Functional Description Unipolar Type TLE4905 (Figure 3 and 4)

When a positive magnetic field is applied in the indicated direction (**Figure 3**) and the turn-on magnetic induction B_{OP} is exceeded, the output of the Hall-effect IC will conduct (Operate Point). When the current is reduced, the output of the IC turns off (Release Point; **Figure 4**).

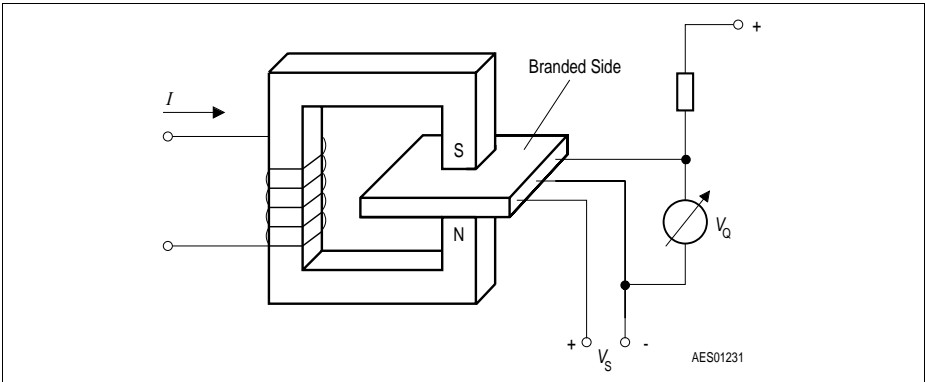


Figure 3 Sensor/Magnetic-Field Configuration

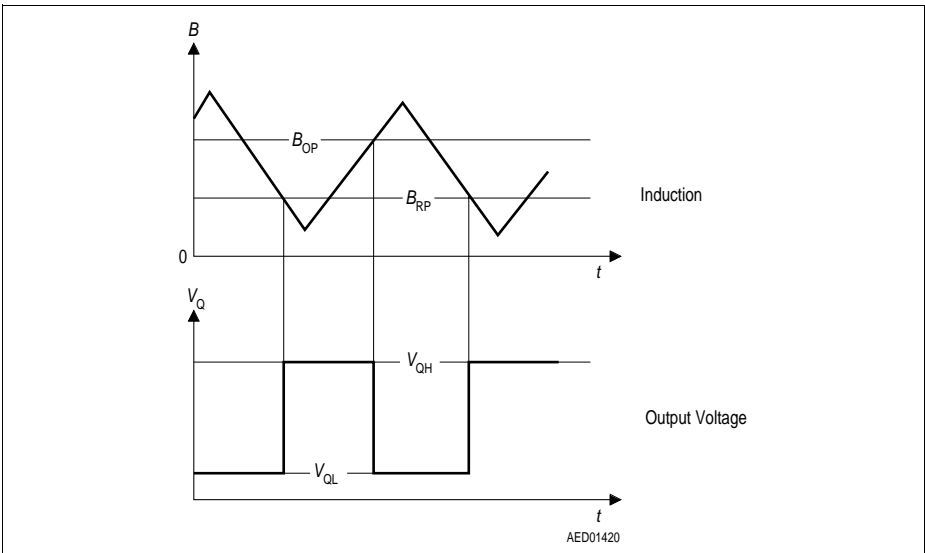


Figure 4 Switching Characteristics Unipolar Type

Functional Description Bipolar Type TLE4935/45/45-2 (Figure 5 and 6)

When a positive magnetic field is applied in the indicated direction (**Figure 5**) and the turn-on magnetic induction B_{OP} is exceeded, the output of the Hall-effect IC will conduct (Operate Point). The output state does not change unless a reverse magnetic field exceeding the turn-off magnetic induction B_{RP} is exceeded. In this case the output will turn off (Release Point; **Figure 6**).

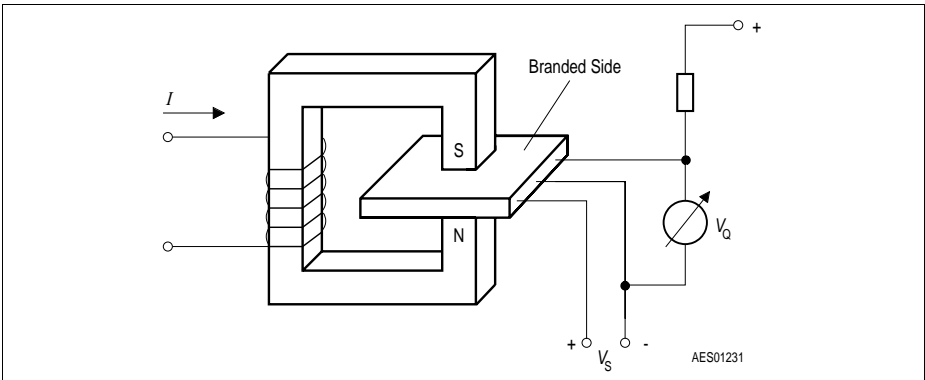


Figure 5 Sensor/Magnetic-Field Configuration

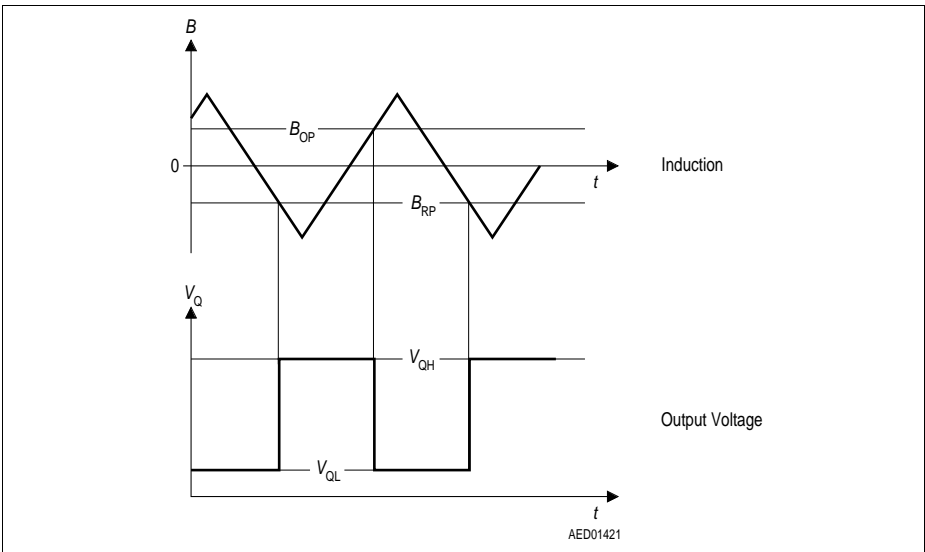


Figure 6 Switching Characteristics Bipolar Type

Absolute Maximum Ratings
 $T_j = -40 \text{ to } 150 \text{ }^\circ\text{C}$

| Parameter | Symbol | Limit Values | | Unit | Remarks |
|------------------------|--------------------|--------------|------|------------------|-------------------------------|
| | | min. | max. | | |
| Supply voltage | V_S | -40 | 32 | V | - |
| Supply voltage | V_S | - | 40 | V | $t < 400 \text{ ms}; v = 0.1$ |
| Output voltage | V_Q | - | 32 | V | - |
| Output current | I_Q | - | 100 | mA | - |
| Output reverse current | $-I_Q$ | - | 100 | mA | - |
| Junction temperature | T_j | -40 | 150 | $^\circ\text{C}$ | - |
| Junction temperature | T_j | - | 170 | $^\circ\text{C}$ | 1000 h |
| Junction temperature | T_j | - | 210 | $^\circ\text{C}$ | 40 h |
| Storage temperature | T_{stg} | -50 | 150 | $^\circ\text{C}$ | - |
| Thermal resistance | $R_{\text{th JA}}$ | - | 190 | K/W | - |

Note: Stresses above those listed here may cause permanent damage to the device. Exposure to absolute maximum rating conditions for extended periods may affect device reliability.

Operating Range

| Parameter | Symbol | Limit Values | | Unit | Remarks |
|----------------------|--------|--------------|------|------------------|---------|
| | | min. | max. | | |
| Supply voltage | V_S | 3.8 | 24 | V | - |
| Junction temperature | T_j | -40 | 150 | $^\circ\text{C}$ | - |
| | | - | 170 | | |

Note: In the operating range the functions given in the circuit description are fulfilled.

AC/DC Characteristics

$3.8\text{ V} \leq V_S \leq 24\text{ V}$; $-40\text{ }^\circ\text{C} \leq T_j \leq 150\text{ }^\circ\text{C}$

| Parameter | Symbol | Limit Values | | | Unit | Test Condition | Test Circuit |
|---------------------------|--------------------|--------------|------|------|---------------|---|--------------|
| | | min. | typ. | max. | | | |
| Supply current | $I_{S\text{High}}$ | – | 3 | 7 | mA | $B < B_{RP}$ | 1 |
| | $I_{S\text{Low}}$ | – | 4 | 8 | mA | $B > B_{OP}$ | 1 |
| Output saturation voltage | $V_{Q\text{Sat}}$ | – | 0.25 | 0.5 | V | $I_Q = 40\text{ mA}$ | 1 |
| Output leakage current | I_{QL} | – | – | 10 | μA | $V_Q = 24\text{ V}$ | 1 |
| Rise/fall time | t_r / t_f | – | – | 1 | μs | $R_L = 1.2\text{ k}\Omega$ $C_L \leq 33\text{ pF}$ | 1 |

Note: Typical characteristics specify mean values expected over the production spread. If not otherwise specified, typical characteristics apply at $T_j = 25\text{ }^\circ\text{C}$ and the given supply voltage.

Magnetic Characteristics
 $3.8 \text{ V} \leq V_S \leq 24 \text{ V}$

| Parameter | Symbol | Limit Values | | | | | | | | Unit |
|-----------|--------|---------------------|------|--------------------------|------|------------------------------|------|--------------------------------|------|------|
| | | TLE4905 unipolar | | TLE4935 bipolar latch | | TLE4945 bipolar switch | | TLE4945-2 bipolar switch | | |
| | | min. | max. | min. | max. | min. | max. | min. | max. | |

Junction Temperature $T_j = -40 \text{ }^\circ\text{C}$

| | | | | | | | | | | |
|-------------------------------------|--------------|-----|-----|-----|-----|-----|----|----|---|----|
| Turn-ON induction | B_{OP} | 7.5 | 19 | 10 | 20 | -6 | 10 | -3 | 6 | mT |
| Turn-OFF induction | B_{RP} | 5.5 | 17 | -20 | -10 | -10 | 6 | -6 | 3 | mT |
| Hysteresis ($B_{OP} - B_{RP}$) | ΔB_H | 2 | 6.5 | 20 | 40 | 2 | 10 | 1 | 5 | mT |

Junction Temperature $T_j = 25 \text{ }^\circ\text{C}$

| | | | | | | | | | | |
|-------------------------------------|--------------|---|----|-----|-----|-----|----|----|---|----|
| Turn-ON induction | B_{OP} | 7 | 18 | 10 | 20 | -6 | 10 | -3 | 6 | mT |
| Turn-OFF induction | B_{RP} | 5 | 16 | -20 | -10 | -10 | 6 | -6 | 3 | mT |
| Hysteresis ($B_{OP} - B_{RP}$) | ΔB_H | 2 | 6 | 20 | 40 | 2 | 10 | 1 | 5 | mT |

Junction Temperature $T_j = 85 \text{ }^\circ\text{C}$

| | | | | | | | | | | |
|-------------------------------------|--------------|-----|------|-----|-----|-----|----|----|---|----|
| Turn-ON induction | B_{OP} | 6.5 | 17.5 | 10 | 20 | -6 | 10 | -3 | 6 | mT |
| Turn-OFF induction | B_{RP} | 4.5 | 15 | -20 | -10 | -10 | 6 | -6 | 3 | mT |
| Hysteresis ($B_{OP} - B_{RP}$) | ΔB_H | 2 | 5.5 | 20 | 40 | 2 | 10 | 1 | 5 | mT |

Magnetic Characteristics (cont'd)

$3.8\text{ V} \leq V_S \leq 24\text{ V}$

| Parameter | Symbol | Limit Values | | | | | | | | Unit |
|-----------|--------|------------------|------|-----------------------|------|------------------------|------|--------------------------|------|------|
| | | TLE4905 unipolar | | TLE4935 bipolar latch | | TLE4945 bipolar switch | | TLE4945-2 bipolar switch | | |
| | | min. | max. | min. | max. | min. | max. | min. | max. | |

Junction Temperature $T_j = 150\text{ }^\circ\text{C}$

| | | | | | | | | | | |
|----------------------------------|--------------|---|----|-----|-----|-----|----|----|---|----|
| Turn-ON induction | B_{OP} | 6 | 17 | 10 | 20 | -6 | 10 | -3 | 6 | mT |
| Turn-OFF induction | B_{RP} | 4 | 14 | -20 | -10 | -10 | 6 | -6 | 3 | mT |
| Hysteresis ($B_{OP} - B_{RP}$) | ΔB_H | 2 | 5 | 20 | 40 | 2 | 10 | 1 | 5 | mT |

Note: The listed magnetic characteristics are ensured over the operating range of the integrated circuit. Typical characteristics specify mean values expected over the production spread. If not otherwise specified, typical characteristics apply at $T_j = 25\text{ }^\circ\text{C}$ and the given supply voltage.

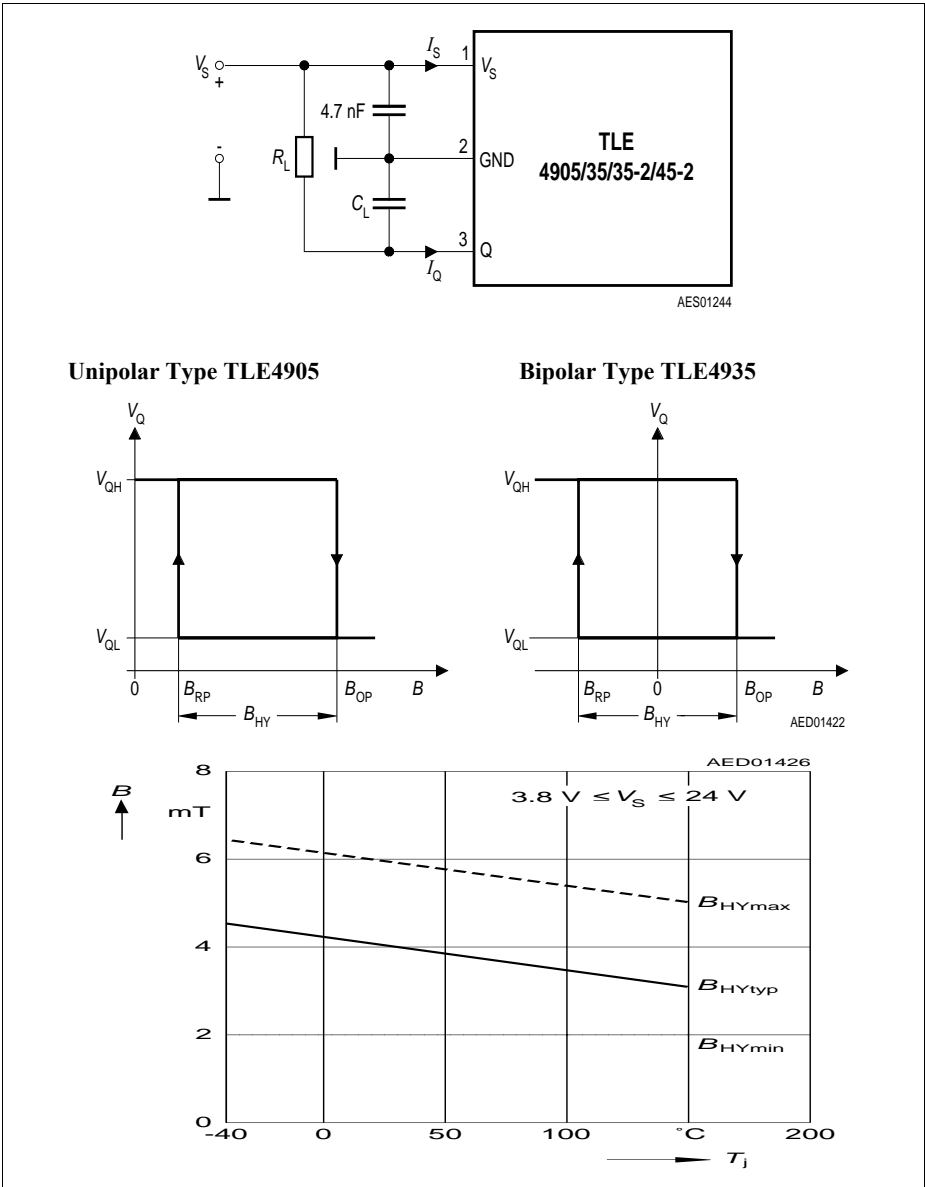


Figure 7 Test Circuit 1

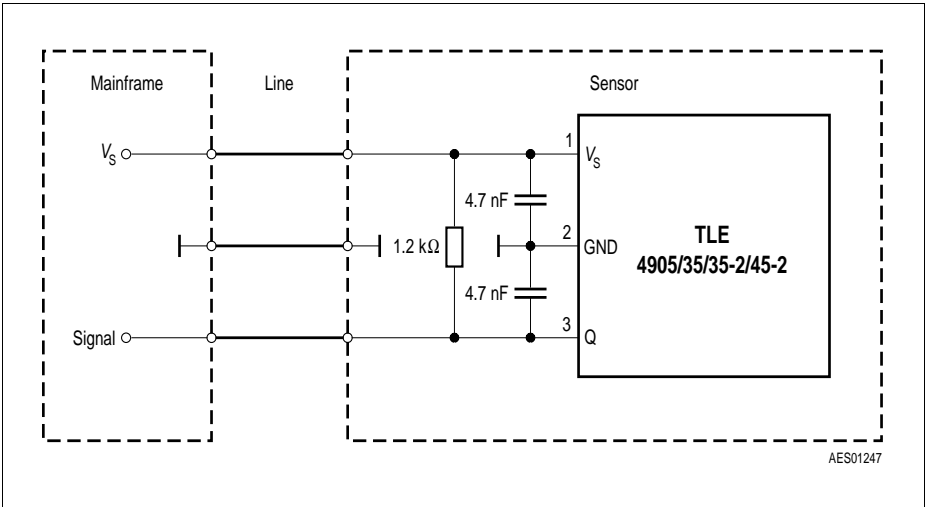
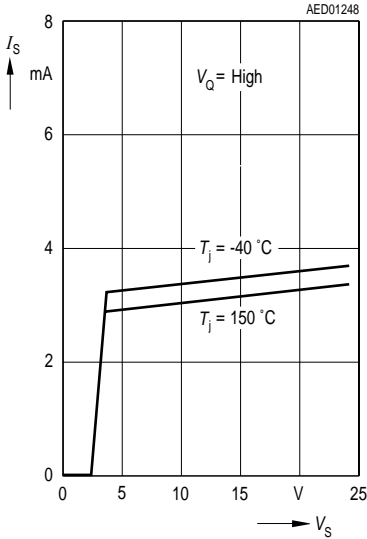


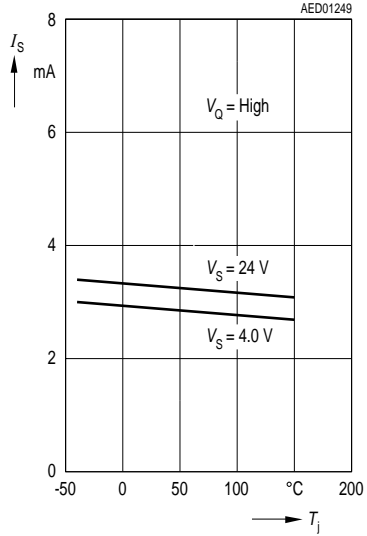
Figure 8 Application Circuit

If not otherwise specified, all curves reflect typical values at $T_j = 25\text{ }^\circ\text{C}$ and $V_S = 12\text{ V}$

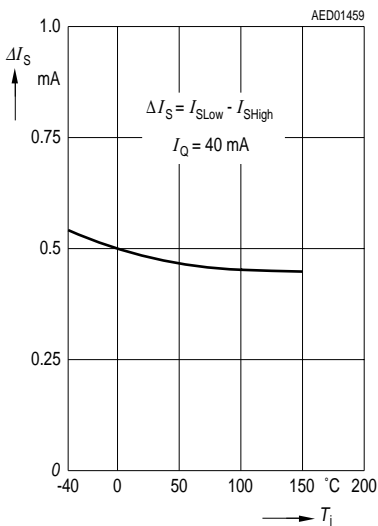
Quiescent Current versus Supply Voltage



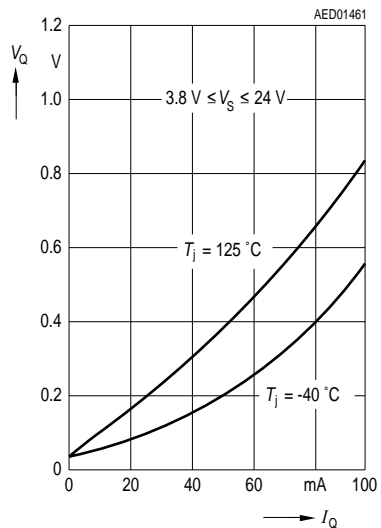
Quiescent Current versus Junction Temperature



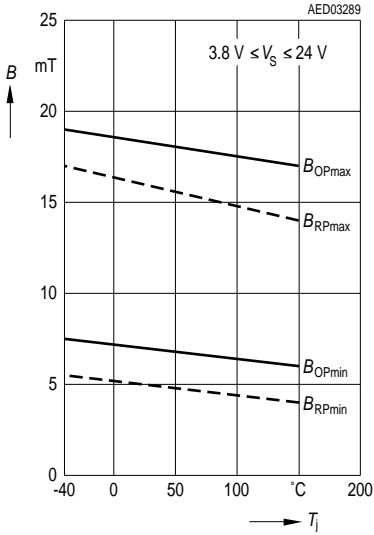
Quiescent Current Difference versus Temperature



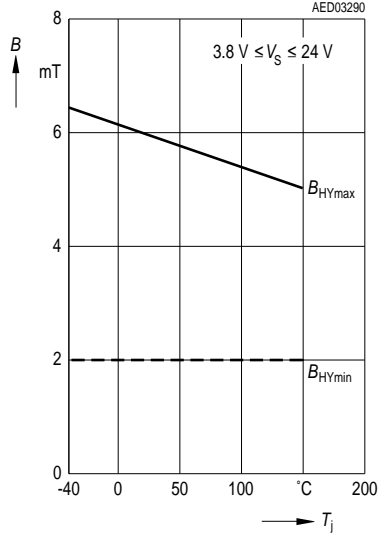
Saturation Voltage versus Output Current



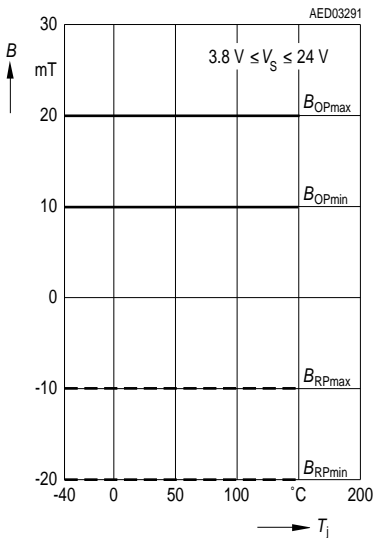
TLE4905 Operate-and Release-Point versus Junction Temperature



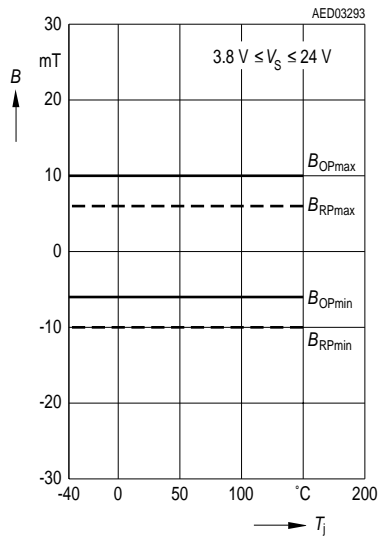
TLE4905 Hysteresis versus Junction Temperature



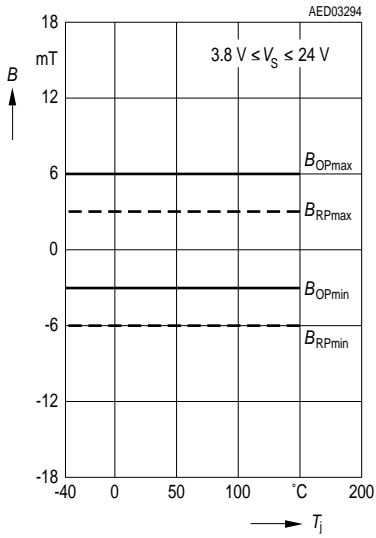
TLE4935 Operate-and Release-Point versus Junction Temperature



TLE4945 Operate-and Release-Point versus Junction Temperature



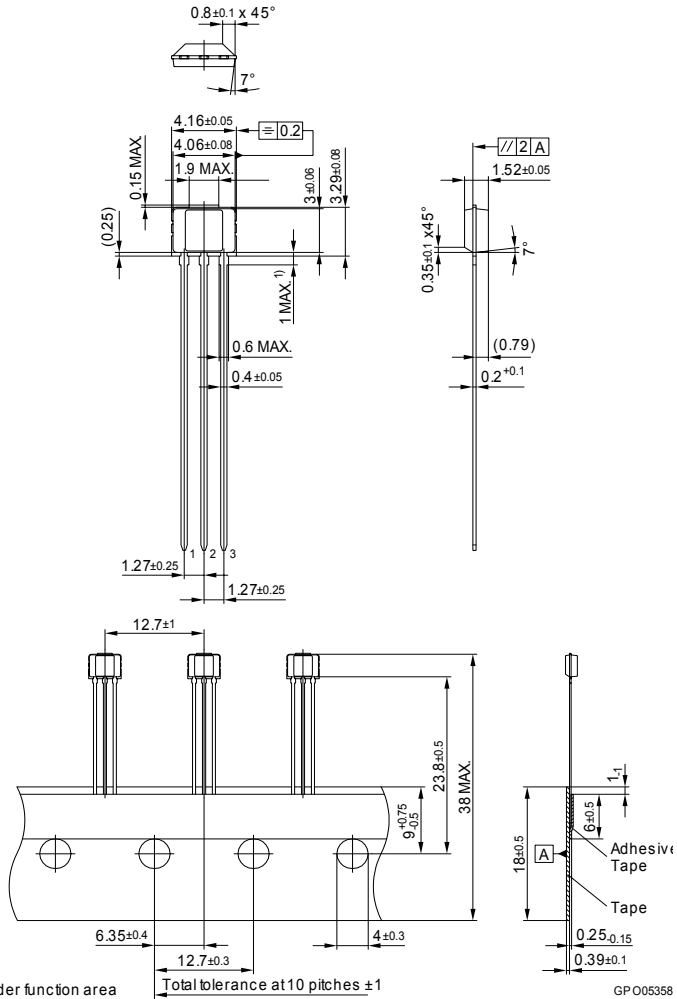
**TLE4945-2 Operate-and Release-Point
versus Junction Temperature**

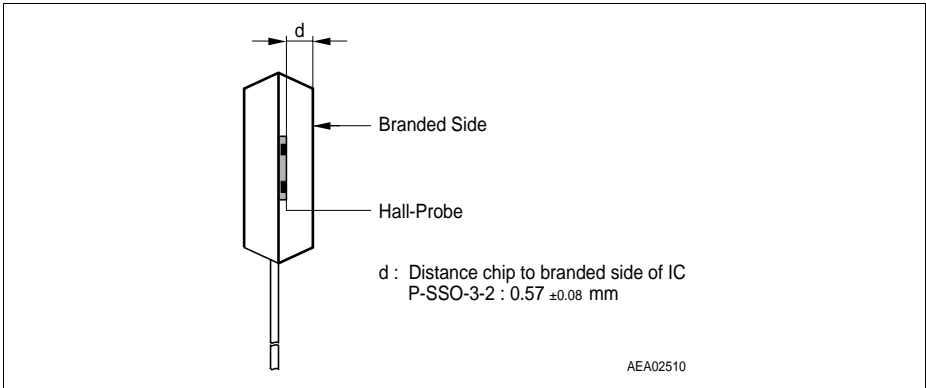


Package Outlines

PG-SSO-3-2

(Plastic Single Small Outline Package)





Revision History: 2007-11, V1.5

Previous Version: V1.4:§

| Page | Subjects (major changes since last revision) |
|------|--|
| | Package changed to PG-SSO-3-2 |
| | |
| | |
| | |
| | |
| | |
| | |

For questions on technology, delivery and prices please contact the Infineon Technologies offices in Germany or the Infineon Technologies Companies and Representatives worldwide: see our webpage at <http://www.infineon.com>

We Listen to Your Comments

Any information within this document that you feel is wrong, unclear or missing at all?
Your feedback will help us to continuously improve the quality of this document.
Please send your proposal (including a reference to this document) to:

sensors@infineon.com



www.infineon.com

Published by Infineon Technologies AG

Данный компонент на территории Российской Федерации

Вы можете приобрести в компании MosChip.

Для оперативного оформления запроса Вам необходимо перейти по данной ссылке:

<http://moschip.ru/get-element>

Вы можете разместить у нас заказ для любого Вашего проекта, будь то серийное производство или разработка единичного прибора.

В нашем ассортименте представлены ведущие мировые производители активных и пассивных электронных компонентов.

Нашей специализацией является поставка электронной компонентной базы двойного назначения, продукции таких производителей как XILINX, Intel (ex.ALTERA), Vicor, Microchip, Texas Instruments, Analog Devices, Mini-Circuits, Amphenol, Glenair.

Сотрудничество с глобальными дистрибьюторами электронных компонентов, предоставляет возможность заказывать и получать с международных складов практически любой перечень компонентов в оптимальные для Вас сроки.

На всех этапах разработки и производства наши партнеры могут получить квалифицированную поддержку опытных инженеров.

Система менеджмента качества компании отвечает требованиям в соответствии с ГОСТ Р ИСО 9001, ГОСТ РВ 0015-002 и ЭС РД 009

Офис по работе с юридическими лицами:

105318, г.Москва, ул.Щербаковская д.3, офис 1107, 1118, ДЦ «Щербаковский»

Телефон: +7 495 668-12-70 (многоканальный)

Факс: +7 495 668-12-70 (доб.304)

E-mail: info@moschip.ru

Skype отдела продаж:

moschip.ru

moschip.ru_4

moschip.ru_6

moschip.ru_9