

PLEASE CHECK WWW.MOLEX.COM FOR LATEST PART INFORMATION

Part Number: [0003122022](#)
Status: **Active**
Description: 3.18mm (.125") Diameter, HCS-125 Pin and Socket Plug Housing, 2 Circuits, Single Row, With and Without Panel Mount Ears

Documents:

[3D Model](#) [RoHS Certificate of Compliance \(PDF\)](#)
[Drawing \(PDF\)](#)

Agency Certification

CSA LR19980
 UL E29179

General

Product Family Crimp Housings
 Series 4306
 Product Name HCS-125

Physical

Circuits (maximum) 2
 Color - Resin Natural
 Flammability 94V-2
 Gender Dual
 Glow-Wire Compliant No
 Material - Resin Nylon
 Number of Rows 1
 Packaging Type Bag
 Panel Mount No
 Pitch - Mating Interface (in) 0.280 In
 Pitch - Mating Interface (mm) 7.11 mm
 Stackable No
 Temperature Range - Operating -40°C to +105°C

Electrical

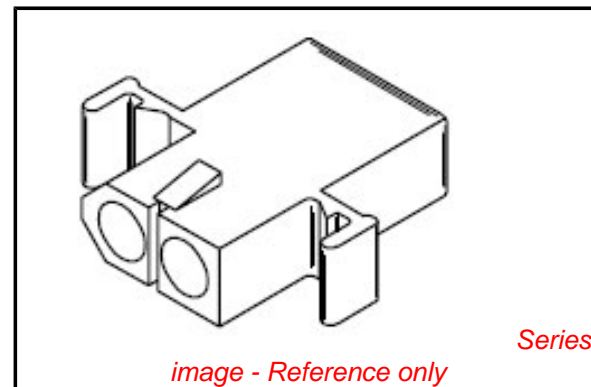
Current - Maximum per Contact 20A

Material Info

Old Part Number 4306P1

Reference - Drawing Numbers

Sales Drawing SD-4306-*



EU RoHS

ELV and RoHS Compliant
REACH SVHC Contains SVHC: No
Halogen-Free Status

China RoHS



Not Reviewed

Need more information on product environmental compliance?

Email productcompliance@molex.com
 For a multiple part number RoHS Certificate of Compliance, [click here](#)

Please visit the [Contact Us](#) section for any non-product compliance questions.

Search Parts in this Series

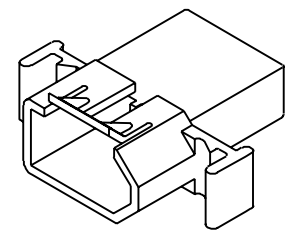
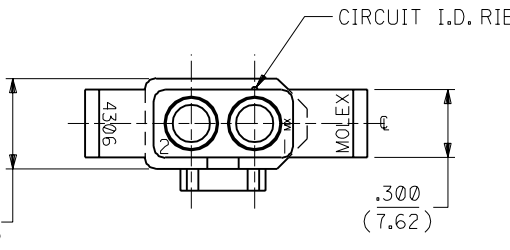
4306Series

Mates With

4306r

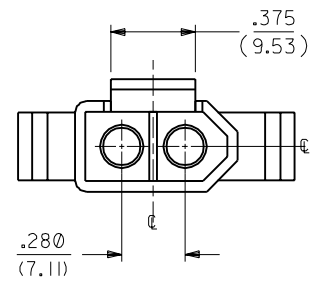
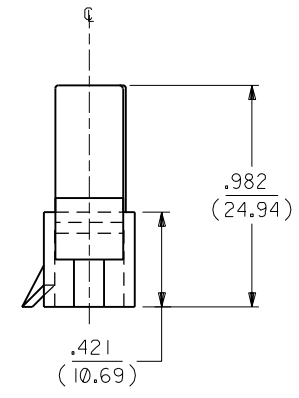
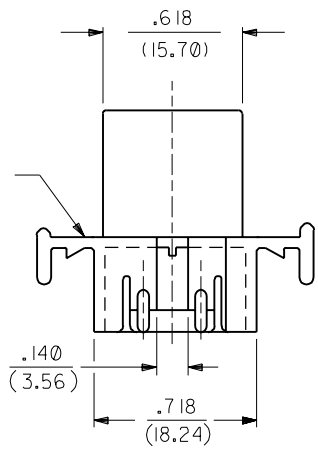
Use With

8947 , 1900 male crimp terminals, 1901 , 2046 , 2047 , 42546 , 42547 , 42554 , 42555 , 8946



4306-P PLUG HOUSING

MOUNTING EAR (2 PL.)
SEE DETAIL 1 OR 2
(WHEN SPECIFIED)

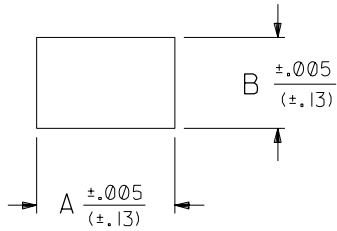
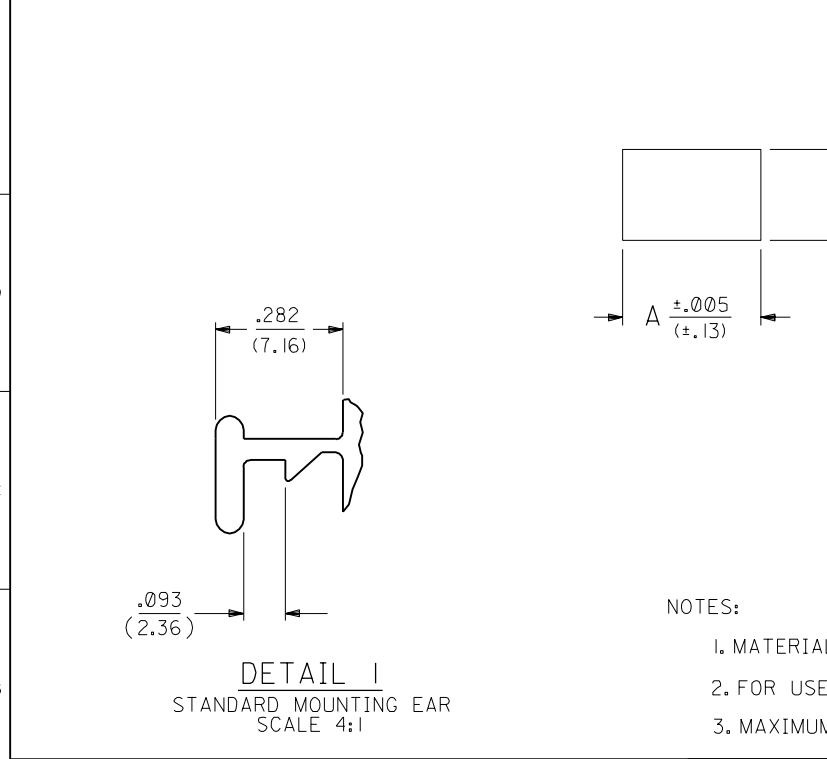


| | | | | |
|------|-----|------|------|--|
| F | 3 | F | F | ADD CKT. I.D. RIB. PER ECR U3 1770 GC 12/9/93 RW |
| F | 2 | F | E | REDRAWN PER ECR 10/65 GEP 6/5/87 RW |
| F | 1 | F | | |
| MFG. | SH. | REV. | LTR. | REVISIONS |

| | | | | | | | |
|--|-----|--------------|--------|-----------|---|---|-----------|
| DIMENSIONS SHOWN (METRIC) INCH | | ▽ = 0 | | ▼ = 0 | | REVISE ONLY ON CAD SYSTEM | |
| UNLESS OTHERWISE SPECIFIED TOLERANCES: ANGULAR ± 1/2° | | | | | | | |
| | | INCH | | METRIC | | | |
| 3 PLACE | ± | .010 | --- | --- | --- | | |
| 2 PLACE | ± | .014 | ± 0.25 | | | | |
| 1 PLACE | --- | --- | ± 0.36 | | | | |
| DRAFT WHERE APPLICABLE MUST REMAIN WITHIN DIMENSIONS | | | | | | | |
| DRWG. BY | GEP | CHK'D. BY | RW | TITLE | | HOUSING, 2 CIRCUIT PLUG AND RECEPTACLE .125/(3.18) DIA. | |
| APP'D. BY | RAS | SCALE | 2 : 1 | FILE NAME | THIS DRAWING CONTAINS INFORMATION THAT IS PROPRIETARY TO MOLEX INC. AND SHOULD NOT BE USED WITHOUT WRITTEN PERMISSION. | SHEET NO. | DATE |
| | | | | PART NO. | SEE CHART | DRWG. NO. | SD-4306-* |
| | | | | FILE NAME | SD4306X1 | 1 of 3 | 6/5/87 |
| | | | | DIV. | CP | SIZE | B |

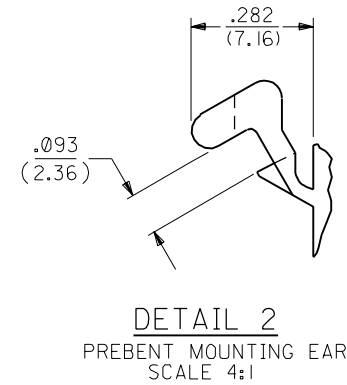
| | | | | | | | | | | |
|------------|----------|------------------------------------|---|---|---|---|---|---|---|------|
| 10 | 9 | 8 | 7 | 6 | 5 | 4 | 3 | 2 | 1 | 4306 |
| PLUG | | | | | | | | | | |
| PART NO. | ENG. NO. | DESCRIPTION | | | | | | | | |
| 03-12-2021 | 4306-P | PLUG WITH STANDARD EARS (DETAIL 1) | | | | | | | | |
| 03-12-2022 | 4306-P1 | PLUG W/O EARS | | | | | | | | |
| 03-12-2023 | 4306-PB | PLUG W/PREBENT EARS (DETAIL 2) | | | | | | | | |

| | | | | | | | | | | |
|------------|----------|--|---|---|---|---|---|---|---|------|
| 10 | 9 | 8 | 7 | 6 | 5 | 4 | 3 | 2 | 1 | 4306 |
| RECEPTACLE | | | | | | | | | | |
| PART NO. | ENG. NO. | DESCRIPTION | | | | | | | | |
| 03-12-1021 | 4306-R | RECEPTACLE WITH STANDARD EARS (DETAIL 1) | | | | | | | | |
| 03-12-1022 | 4306-R1 | RECEPTACLE W/O EARS | | | | | | | | |
| 03-12-1023 | 4306-RB | RECEPTACLE W/PREBENT EARS (DETAIL 2) | | | | | | | | |



| MOUNTING PANEL OPENING | | |
|------------------------|--------------|--------------|
| HOUSING | DIM. "A" | DIM. "B" |
| PLUG | .878/(22.30) | .432/(10.97) |
| RECEPTACLE | .778/(19.76) | .375/(9.53) |

- NOTES:
1. MATERIAL: NYLON TYPE 6/6, 94V-2, NATURAL.
 2. FOR USE WITH .125/(3.18) DIA. SERIES TERMINALS.
 3. MAXIMUM PANEL THICKNESS .090/(2.29).



| | | | | | | | | | | | |
|--|--|--|--|--|--|--|--|---|--|--|--|
| | | | | DIMENSIONS SHOWN (METRIC) INCH UNLESS OTHERWISE SPECIFIED TOLERANCES: ANGULAR ± 1/2° | | | | ▽ = 0 ▼ = 0 REVISE ONLY ON CAD SYSTEM | | | |
| | | | | INCH METRIC | | | | TITLE HOUSING, 2 CIRCUIT PLUG AND RECEPTACLE .125/(3.18) DIA. | | | |
| | | | | 3 PLACE ± .010 --- | | | | PART NO. SHEET NO. DATE | | | |
| | | | | 2 PLACE ± .014 ± 0.25 | | | | LISLE, ILL. 60532 U.S.A. 3 6/ 5/87 | | | |
| | | | | 1 PLACE --- ± 0.35 | | | | MOLEX INCORPORATED | | | |
| | | | | DRAFT WHERE APPLICABLE MUST REMAIN WITHIN DIMENSIONS | | | | DRWG. NO. SD-4306-* | | | |
| | | | | DRWG. BY GEP CHK'D. BY RW | | | | SEE CHART | | | |
| | | | | APP'D. BY RAS SCALE 2 : 1 | | | | FILE NAME SD4306X3 DEN | | | |
| | | | | LTR. REVISIONS LTR. REVISIONS | | | | THIS DRAWING CONTAINS INFORMATION THAT IS PROPRIETARY TO MOLEX INC. AND SHOULD NOT BE USED WITHOUT WRITTEN PERMISSION. | | | |
| | | | | | | | | DIV. SIZE | | | |
| | | | | | | | | CP B | | | |

Данный компонент на территории Российской Федерации

Вы можете приобрести в компании MosChip.

Для оперативного оформления запроса Вам необходимо перейти по данной ссылке:

<http://moschip.ru/get-element>

Вы можете разместить у нас заказ для любого Вашего проекта, будь то серийное производство или разработка единичного прибора.

В нашем ассортименте представлены ведущие мировые производители активных и пассивных электронных компонентов.

Нашей специализацией является поставка электронной компонентной базы двойного назначения, продукции таких производителей как XILINX, Intel (ex.ALTERA), Vicor, Microchip, Texas Instruments, Analog Devices, Mini-Circuits, Amphenol, Glenair.

Сотрудничество с глобальными дистрибьюторами электронных компонентов, предоставляет возможность заказывать и получать с международных складов практически любой перечень компонентов в оптимальные для Вас сроки.

На всех этапах разработки и производства наши партнеры могут получить квалифицированную поддержку опытных инженеров.

Система менеджмента качества компании отвечает требованиям в соответствии с ГОСТ Р ИСО 9001, ГОСТ РВ 0015-002 и ЭС РД 009

Офис по работе с юридическими лицами:

105318, г.Москва, ул.Щербаковская д.3, офис 1107, 1118, ДЦ «Щербаковский»

Телефон: +7 495 668-12-70 (многоканальный)

Факс: +7 495 668-12-70 (доб.304)

E-mail: info@moschip.ru

Skype отдела продаж:

moschip.ru

moschip.ru_4

moschip.ru_6

moschip.ru_9