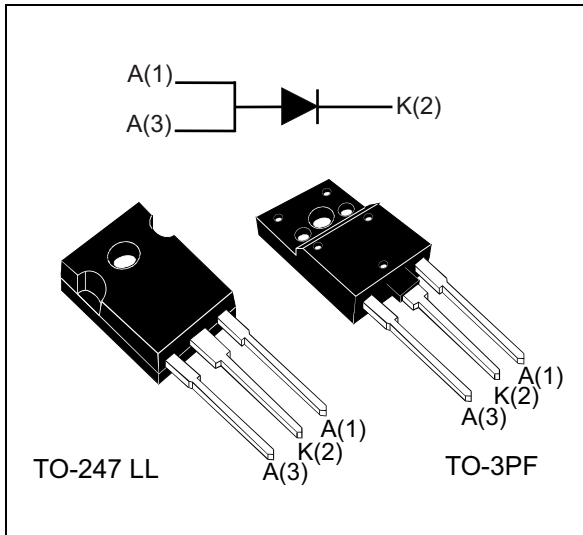


## Turbo 2 ultrasoft high voltage rectifier

Datasheet - production data



### Description

The STTH31AC06S, implementing a new technology with very high softness during the reverse commutation, is suitable as a boost diode in PFC. This device is highly recommended in air conditioning equipment for continuous mode interleaved power factor correction.

Table 1. Device summary

Symbol	Value
$I_{F(AV)}$	30 A
$V_{RRM}$	600 V
$t_{rr}$ (typ.)	45 ns
$V_F$ (typ.)	1.35 V
$T_j$ (max.)	175 °C

### Features

- Ultrafast switching
- Low reverse recovery current
- High thermal resistance
- Reduces switching losses
- ECOPACK<sup>®</sup>2 compliant component

# 1 Characteristics

**Table 2. Absolute ratings (limiting values at 25 °C, unless otherwise specified)**

Symbol	Parameter	Value	Unit	
$V_{RRM}$	Repetitive peak reverse voltage	600	V	
$I_{F(RMS)}$	Forward rms current	45	A	
$I_{F(AV)}$	Average forward current	30	A	
$I_{FSM}$	Surge non repetitive forward current	$t_p = 10$ ms sinusoidal	150	A
$T_{stg}$	Storage temperature range	-40 to +175	°C	
$T_j$	Maximum operating junction temperature	175	°C	

**Table 3. Thermal parameters**

Symbol	Parameter	Value	Unit	
$R_{th(j-c)}$	Junction to case	TO-247 LL	1.25	°C/W
		TO-3PF	2.9	

**Table 4. Static electrical characteristics**

Symbol	Parameter	Test conditions	Min.	Typ.	Max.	Unit	
$I_R^{(1)}$	Reverse leakage current	$T_j = 25$ °C	$V_R = V_{RRM}$		10	$\mu$ A	
		$T_j = 150$ °C		20	200		
$V_F^{(2)}$	Forward voltage drop	$T_j = 25$ °C	$I_F = 30$ A		1.55	2.00	V
		$T_j = 150$ °C			1.35	1.75	

1. Pulse test:  $t_p = 5$  ms,  $\delta < 2\%$

2. Pulse test:  $t_p = 380$   $\mu$ s,  $\delta < 2\%$

To evaluate the conduction losses use the following equation:

$$P = 1.24 \times I_{F(AV)} + 0.017 I_{F(RMS)}^2$$

Table 5. Recovery characteristics

Symbol	Parameter	Test conditions		Min.	Typ.	Max.	Unit
$t_{rr}$	Reverse recovery time	$T_j = 25\text{ °C}$	$I_F = 1\text{ A}$ , $V_R = 30\text{ A}$ , $di_F/dt = -100\text{ A}/\mu\text{s}$		45	65	ns
$I_{RM}$	Reverse recovery current	$T_j = 150\text{ °C}$	$I_F = 30\text{ A}$ , $V_R = 400\text{ V}$ , $di_F/dt = -1000\text{ A}/\mu\text{s}$		36		A
$Q_{RR}$	Reverse recovery charges				2.5		$\mu\text{C}$
$S_{factor}$	Softness factor				2.2		
$t_{fr}$	Forward recovery time	$T_j = 25\text{ °C}$	$I_F = 30\text{ A}$ , $V_{FR} = 2.5\text{ V}$ , $di_F/dt = 500\text{ A}/\mu\text{s}$			150	ns
$V_{FP}$	Forward recovery voltage				5.5		V

Figure 1. Average forward power dissipation versus average forward current

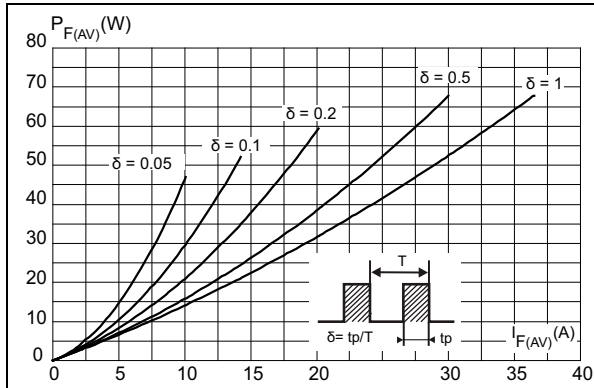


Figure 2. Forward voltage drop versus forward current (typical values)

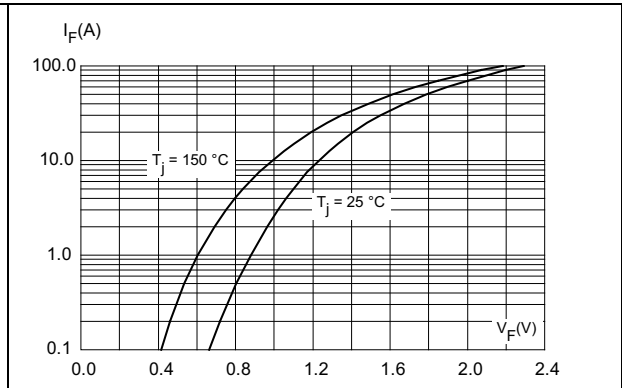


Figure 3. Forward voltage drop versus forward current (maximum values)

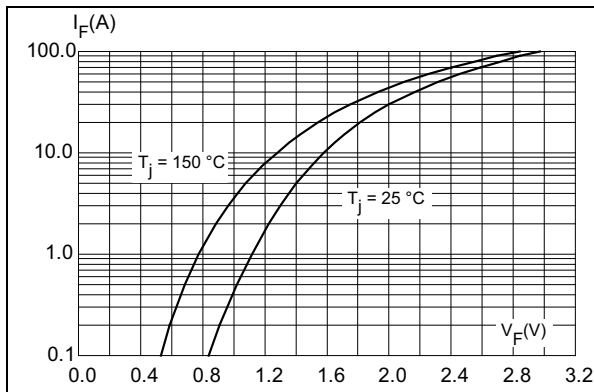


Figure 4. Relative variation of thermal impedance, junction to case, versus pulse duration (TO-247 LL)

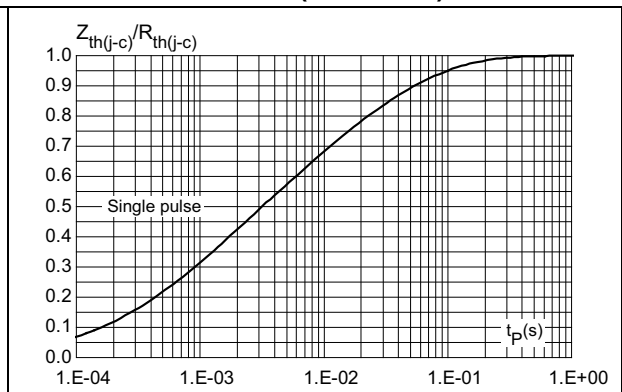


Figure 5. Relative variation of thermal impedance, junction to case, versus pulse duration (TO-3PF)

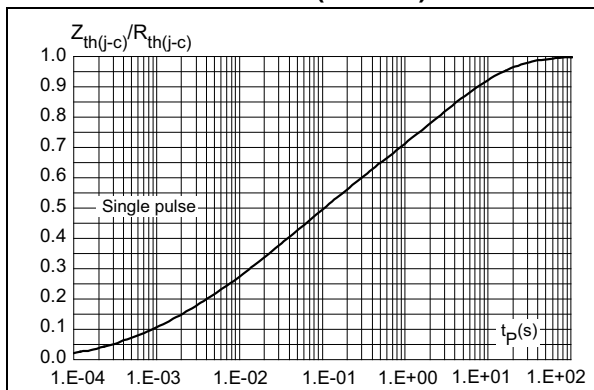
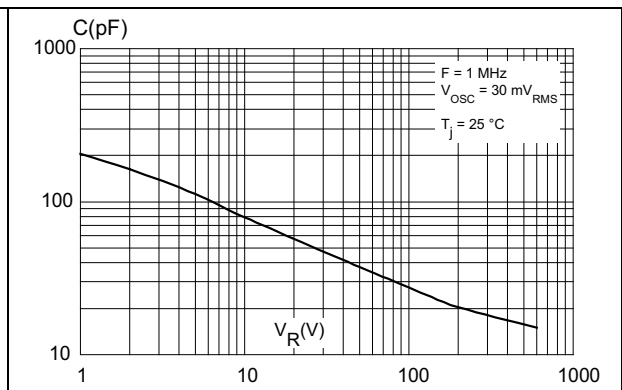


Figure 6. Junction capacitance versus reverse voltage applied (typical values)



## 2 Package information

- Epoxy meets UL94, V0
- Cooling method: by conduction (C)
- Recommended torque value: 0.8 N·m
- Maximum torque value: 1.0 N·m

In order to meet environmental requirements, ST offers these devices in different grades of ECOPACK® packages, depending on their level of environmental compliance. ECOPACK® specifications, grade definitions and product status are available at: [www.st.com](http://www.st.com). ECOPACK® is an ST trademark.

### 2.1 TO-247 LL package information

Figure 7. TO-247 LL package outline

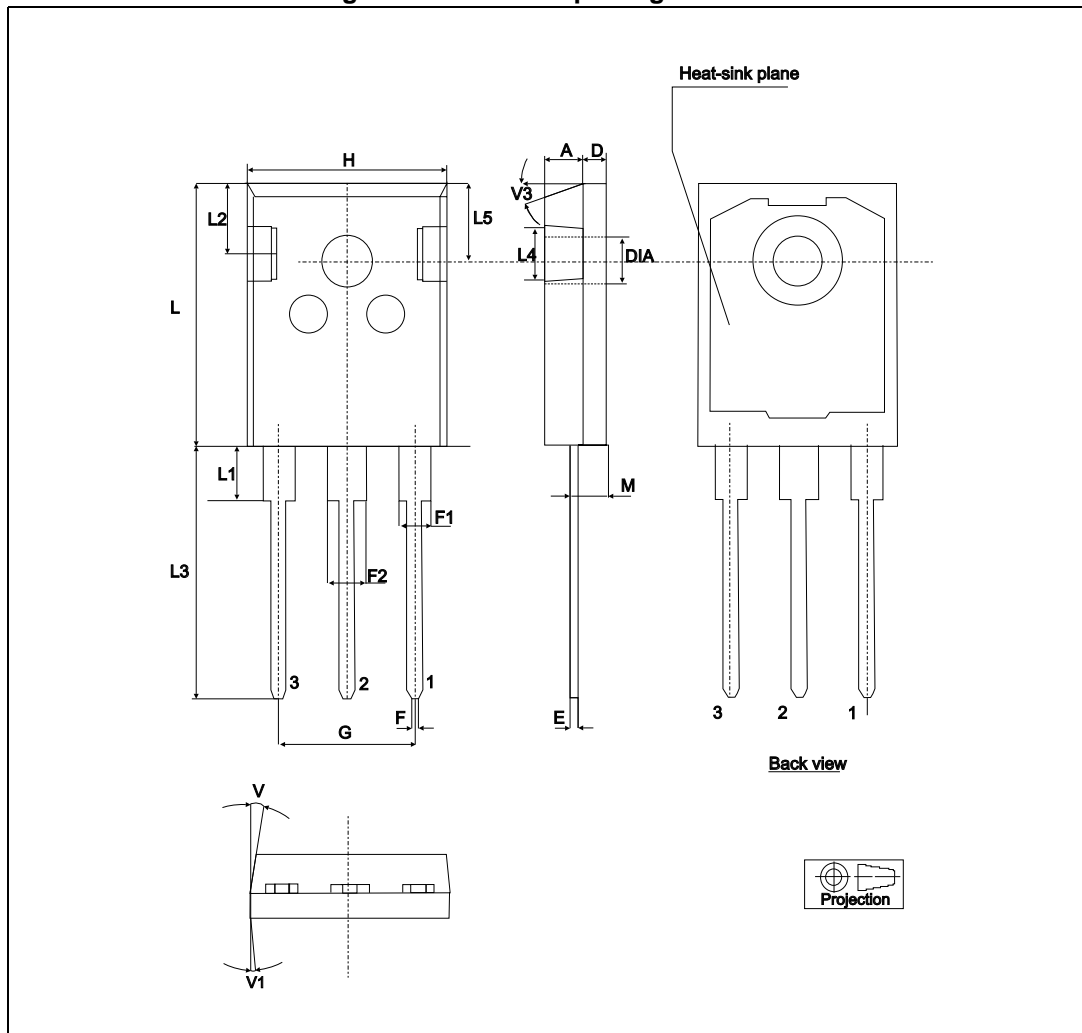


Table 6. TO-247 LL package mechanical data

Ref.	Dimensions					
	Millimeters			Inches		
	Min.	Typ.	Max.	Min.	Typ	Max.
A	4.90		5.15	0.192		0.202
D	1.85		2.10	0.072		0.082
E	0.55		0.67	0.021		0.026
F	1.07		1.32	0.042		0.051
F1	1.90		2.38	0.074		0.093
F2	2.87		3.38	0.11		0.133
G	10.90 BSC			0.429 BSC		
H	15.77		16.02	0.62		0.63
L	20.82		21.07	0.81		0.82
L1	4.16		4.47	0.163		0.175
L2	5.49		5.74	0.216		0.225
L3	20.05		20.30	0.789		0.799
L4	3.68		3.93	0.144		0.154
L5	6.04		6.29	0.237		0.247
M	2.25		2.55	0.088		0.10
V		10°			10°	
V1		3°			3°	
V3		20°			20°	
∅	3.55		3.66	0.139		0.143

## 2.2 TO-3PF package information

Figure 8. TO-3PF package outline

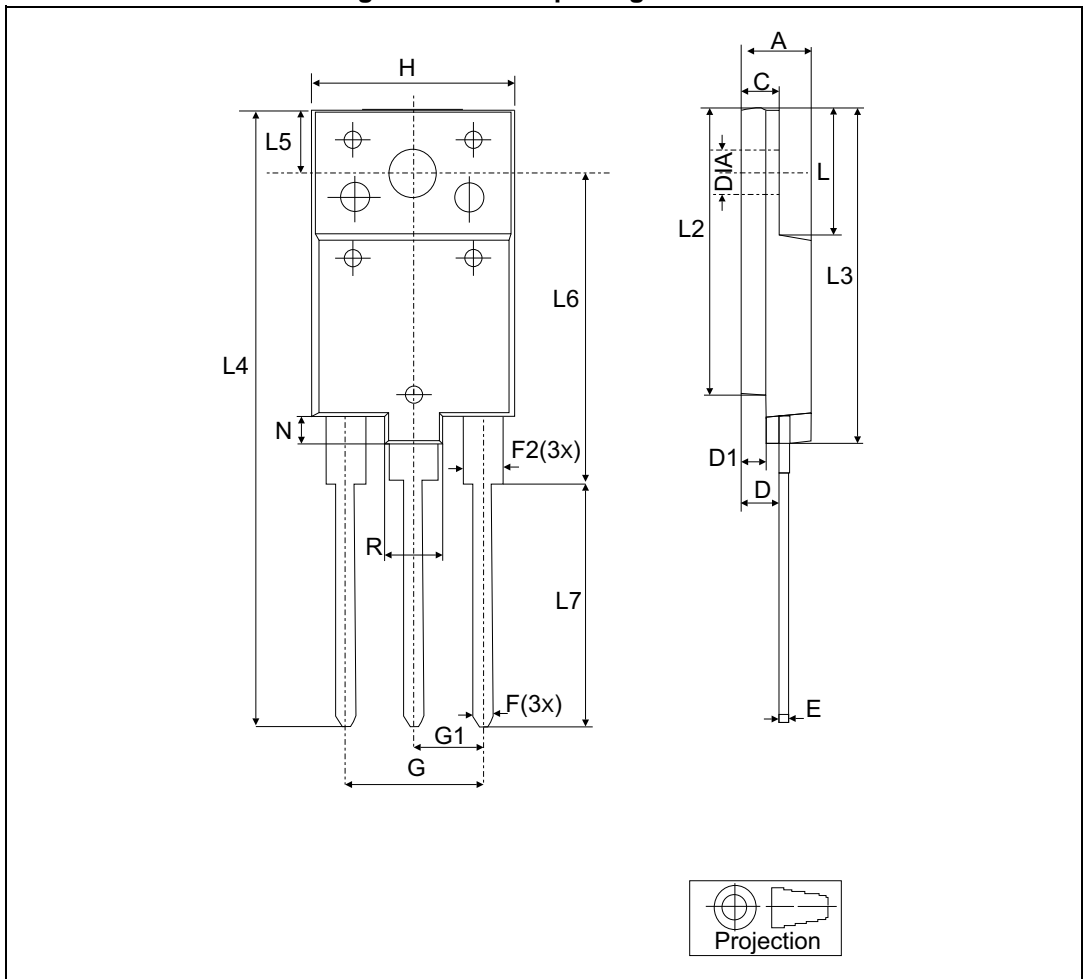


Table 7. TO-3PF package mechanical data

Ref.	Dimensions					
	Millimeters			Inches		
	Min.	Typ.	Max.	Min.	Typ.	Max.
A	5.30		5.70	0.2		0.22
C	2.80		3.20	0.11		0.12
D	3.10		3.50	0.12		0.13
D1	1.80		2.20	0.07		0.08
E	0.80		1.10	0.03		0.04
F	0.65		0.95	0.025		0.037
F2	1.80		2.20	0.07		0.08
G	10.30		11.50	0.40		0.45
G1		5.45			0.21	
H	15.30		15.70	0.60		0.61
L	9.80	10	10.20	0.38	0.39	0.40
L2	22.20		22.80	0.87		0.90
L3	26.30		26.70	1.03		1.05
L4	43.20		44.40	1.70		1.74
L5	4.30		4.70	0.16		1.18
L6	24.30		24.70	0.95		0.97
L7	14.60		15	0.57		0.59
N	1.80		2.20	0.07		0.08
R	3.80		4.20	0.14		0.16
Dia	3.40		3.80	0.13		0.15



### 3 Ordering information

**Table 8. Ordering information**

Order code	Marking	Package	Weight	Base qty.	Delivery mode
STTH31AC06SWL	STTH31AC06SWL	TO-247 LL	4.36 g	30	Tube
STTH31AC06SPF	TH31AC06	TO-3PF	5.6	30	Tube

### 4 Revision history

**Table 9. Document revision history**

Date	Revision	Changes
30-Sep-2014	1	First release.
23-Mar-2016	2	Added TO-3PF package information.

**IMPORTANT NOTICE – PLEASE READ CAREFULLY**

STMicroelectronics NV and its subsidiaries ("ST") reserve the right to make changes, corrections, enhancements, modifications, and improvements to ST products and/or to this document at any time without notice. Purchasers should obtain the latest relevant information on ST products before placing orders. ST products are sold pursuant to ST's terms and conditions of sale in place at the time of order acknowledgement.

Purchasers are solely responsible for the choice, selection, and use of ST products and ST assumes no liability for application assistance or the design of Purchasers' products.

No license, express or implied, to any intellectual property right is granted by ST herein.

Resale of ST products with provisions different from the information set forth herein shall void any warranty granted by ST for such product.

ST and the ST logo are trademarks of ST. All other product or service names are the property of their respective owners.

Information in this document supersedes and replaces information previously supplied in any prior versions of this document.

© 2016 STMicroelectronics – All rights reserved

## Данный компонент на территории Российской Федерации

### Вы можете приобрести в компании MosChip.

Для оперативного оформления запроса Вам необходимо перейти по данной ссылке:

<http://moschip.ru/get-element>

Вы можете разместить у нас заказ для любого Вашего проекта, будь то серийное производство или разработка единичного прибора.

В нашем ассортименте представлены ведущие мировые производители активных и пассивных электронных компонентов.

Нашей специализацией является поставка электронной компонентной базы двойного назначения, продукции таких производителей как XILINX, Intel (ex.ALTERA), Vicor, Microchip, Texas Instruments, Analog Devices, Mini-Circuits, Amphenol, Glenair.

Сотрудничество с глобальными дистрибьюторами электронных компонентов, предоставляет возможность заказывать и получать с международных складов практически любой перечень компонентов в оптимальные для Вас сроки.

На всех этапах разработки и производства наши партнеры могут получить квалифицированную поддержку опытных инженеров.

Система менеджмента качества компании отвечает требованиям в соответствии с ГОСТ Р ИСО 9001, ГОСТ РВ 0015-002 и ЭС РД 009

### Офис по работе с юридическими лицами:

105318, г.Москва, ул.Щербаковская д.3, офис 1107, 1118, ДЦ «Щербаковский»

Телефон: +7 495 668-12-70 (многоканальный)

Факс: +7 495 668-12-70 (доб.304)

E-mail: [info@moschip.ru](mailto:info@moschip.ru)

Skype отдела продаж:

moschip.ru

moschip.ru\_4

moschip.ru\_6

moschip.ru\_9