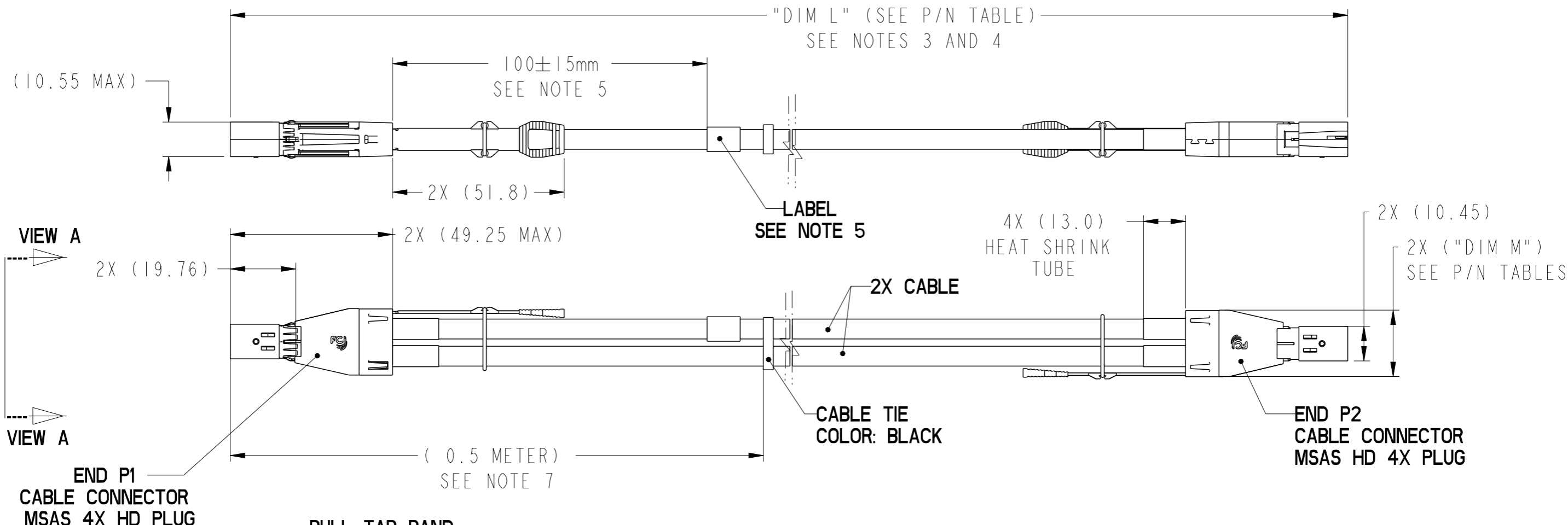


| PRODUCT NUMBER | DESCRIPTION | NOTES |
|------------------|--------------------------------|------------|
| 10120707-XXXXLF | NON-HF,SEE NOTE 12&16 | SEE SHT. 3 |
| 10120707-XXXXHLF | HALOGEN FREE(H),SEE NOTE 11&16 | SEE SHT. 3 |

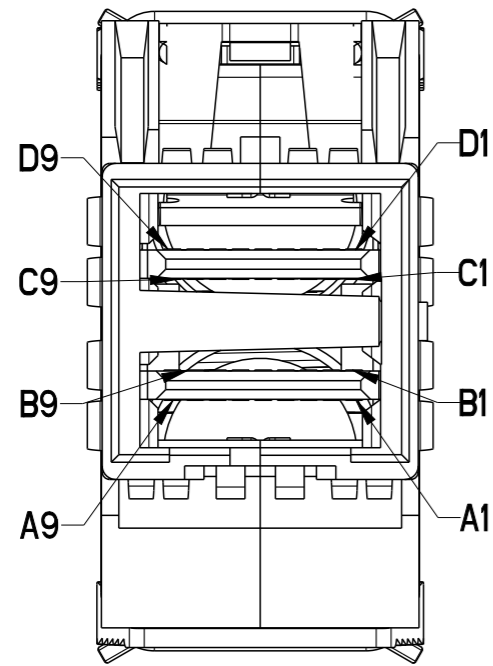


| | | | | | | | | |
|-------------|-------------|------------|---|----|------------------------|----|--------------|-----|
| dr | David Lord | 2012/04/25 | projection | mm | size | A3 | scale | 1:2 |
| eng | Tommy Lin | 2013/11/20 | | | ecn no | | - | |
| chr | - | - | | | rel level | | Released | |
| appr | Roger Cheng | 2013/11/20 | product family | | C&A | | rel level | |
| | | | title FINAL ASSEMBLY (PASSIVE) 14G MSAS HD 4X ASSEMBLY | | dwg no 10120707 | | rev A | |
| www.fci.com | | | cat. no. - | | Product - Customer Drw | | sheet 1 of 4 | |

Copyright FCI.



| PRODUCT NUMBER | DESCRIPTION | NOTES |
|------------------|---------------------------------|------------|
| 10120707-XXXXLF | NON-HF, SEE NOTE 12&16 | SEE SHT. 3 |
| 10120707-XXXXHLF | HALOGEN FREE(H), SEE NOTE 11&16 | SEE SHT. 3 |



P1
VIEW A
SCALE 4:1



BEND RADIUS
TOP VIEW OF CONNECTOR



| MINIMUM CABLE BEND TABLE | | | | | |
|--------------------------|------|------|------|-------------|------------------|
| CABLE | A | B | C | D (nominal) | ("DIM Y") NON-HF |
| 26 AWG | 29.5 | 13.0 | 40.4 | ∅6.73 | 82.9 |
| 30 AWG | | | 31.3 | ∅5.21 | 73.8 |

| MINIMUM CABLE BEND TABLE | | | | | |
|--------------------------|------|------|------|-------------|--------------|
| CABLE | A | B | C | D (nominal) | ("DIM Y") HF |
| 26 AWG | 29.5 | 13.0 | 40.4 | ∅6.73 | 82.9 |
| 30 AWG | | | 31.3 | ∅5.21 | 73.8 |

| WIRING LIST (SEE NOTE 6) | | | | | |
|--------------------------|----------|-------|----------|----------|--|
| END P1 | | | END P2 | | |
| POSITION | SYMBOL | | POSITION | SYMBOL | |
| D9 | GROUND | ----- | B9 | GROUND | |
| D8 | Tx2- | ⊖---▷ | B8 | Rx2- | |
| D7 | Tx2+ | ⊕---▷ | B7 | Rx2+ | |
| D6 | GROUND | ----- | B6 | GROUND | |
| D5 | Tx0- | ⊖---▷ | B5 | Rx0- | |
| D4 | Tx0+ | ⊕---▷ | B4 | Rx0+ | |
| D3 | GROUND | ----- | B3 | GROUND | |
| D2 | Vman | ◀ ▶ | B2 | ModPrsL | |
| D1 | Vact | ◀ ▶ | B1 | Vact | |
| C1 | SCL | ◀ ▶ | A1 | Reserved | |
| C2 | SDA | ◀ ▶ | A2 | IntI | |
| C3 | GROUND | ----- | A3 | GROUND | |
| C4 | Tx1+ | ⊕---▷ | A4 | Rx1+ | |
| C5 | Tx1- | ⊖---▷ | A5 | Rx1- | |
| C6 | GROUND | ----- | A6 | GROUND | |
| C7 | Tx3+ | ⊕---▷ | A7 | Rx3+ | |
| C8 | Tx3- | ⊖---▷ | A8 | Rx3- | |
| C9 | GROUND | ----- | A9 | GROUND | |
| B9 | GROUND | ----- | D9 | GROUND | |
| B8 | Rx2- | ◀---⊖ | D8 | Tx2- | |
| B7 | Rx2+ | ◀---⊕ | D7 | Tx2+ | |
| B6 | GROUND | ----- | D6 | GROUND | |
| B5 | Rx0- | ◀---⊖ | D5 | Tx0- | |
| B4 | Rx0+ | ◀---⊕ | D4 | Tx0+ | |
| B3 | GROUND | ----- | D3 | GROUND | |
| B2 | ModPrsL | ◀ ▶ | D2 | Vman | |
| B1 | Vact | ◀ ▶ | D1 | Vact | |
| A1 | Reserved | ◀ ▶ | C1 | SCL | |
| A2 | IntI | ◀ ▶ | C2 | SDA | |
| A3 | GROUND | ----- | C3 | GROUND | |
| A4 | Rx1+ | ◀---⊕ | C4 | Tx1+ | |
| A5 | Rx1- | ◀---⊖ | C5 | Tx1- | |
| A6 | GROUND | ----- | C6 | GROUND | |
| A7 | Rx3+ | ◀---⊕ | C7 | Tx3+ | |
| A8 | Rx3- | ◀---⊖ | C8 | Tx3- | |
| A9 | GROUND | ----- | C9 | GROUND | |

SHIELD-----▷ SHIELD

| | | | | | | | | | |
|-------------|-------------|------------|--------------------------|-----|-----------|----------|-----------|------------------------|--------------|
| dr | David Lord | 2012/04/25 | projection | mm | size | A3 | scale | 1:2 | |
| eng | Tommy Lin | 2013/11/20 | | | ecn no | - | rel level | Released | |
| chr | - | - | | | | | | | |
| appr | Roger Cheng | 2013/11/20 | product family | C&A | rel level | Released | | | |
| | | | FINAL ASSEMBLY (PASSIVE) | | | dwg no | | 10120707 | rev |
| www.fci.com | | | cat. no. | | | - | | Product - Customer Drw | sheet 2 of 4 |

NON-HALOGEN FREE
CABLE ASSEMBLY PART NUMBERS
SEE NOTE 12&16

| FCI PART NUMBER | LENGTH "DIM L" (Meters) | "DIM M" (mm) | AWG |
|-----------------|----------------------------|-----------------|-----|
| 10120707-2005LF | 0.5 | 17.3 | 30 |
| 10120707-2010LF | 1.0 | 17.3 | 30 |
| 10120707-2015LF | 1.5 | 17.3 | 30 |
| 10120707-2020LF | 2.0 | 17.3 | 30 |
| 10120707-4010LF | 1.0 | 20.1 | 26 |
| 10120707-4020LF | 2.0 | 20.1 | 26 |
| 10120707-4025LF | 2.5 | 20.1 | 26 |
| 10120707-4030LF | 3.0 | 20.1 | 26 |
| 10120707-4035LF | 3.5 | 20.1 | 26 |
| 10120707-4040LF | 4.0 | 20.1 | 26 |

HALOGEN FREE
CABLE ASSEMBLY PART NUMBERS
SEE NOTE 11&16

| FCI PART NUMBER | LENGTH "DIM L" (Meters) | "DIM M" (mm) | AWG |
|------------------|----------------------------|-----------------|-----|
| 10120707-2005HLF | 0.5 | 17.3 | 30 |
| 10120707-2010HLF | 1.0 | 17.3 | 30 |
| 10120707-2015HLF | 1.5 | 17.3 | 30 |
| 10120707-2020HLF | 2.0 | 17.3 | 30 |
| 10120707-4010HLF | 1.0 | 20.1 | 26 |
| 10120707-4020HLF | 2.0 | 20.1 | 26 |
| 10120707-4025HLF | 2.5 | 20.1 | 26 |
| 10120707-4030HLF | 3.0 | 20.1 | 26 |
| 10120707-4035HLF | 3.5 | 20.1 | 26 |
| 10120707-4040HLF | 4.0 | 20.1 | 26 |



Copyright FCI.

| | | | | | | | | |
|-------------|-------------|---|----------------|------------------------|--------------------|--------------|-------|-----|
| dr | David Lord | 2012/04/25 | projection | mm | size | A3 | scale | 1:2 |
| eng | Tommy Lin | 2013/11/20 | | | ecn no | - | | |
| chr | - | - | | | rel level | Released | | |
| appr | Roger Cheng | 2013/11/20 | product family | C&A | | | | |
| | | title FINAL ASSEMBLY (PASSIVE) 14G MSAS HD 4X ASSEMBLY | | | dwg no 10120707 | rev A | | |
| www.fci.com | | cat. no. | - | Product - Customer Drw | | sheet 3 of 4 | | |

| PRODUCT NUMBER | DESCRIPTION | NOTES |
|------------------|--------------------------------|------------|
| 10120707-XXXXLF | NON-HF,SEE NOTE 12&16 | SEE SHT. 3 |
| 10120707-XXXXHLF | HALOGEN FREE(H),SEE NOTE 11&16 | SEE SHT. 3 |

NOTES:

1 - MATERIAL:

BACK SHELLS: ZINC ALLOY/ COPPER UNDERPLATE/ NICKEL OVERPLATE
 PULL TAB: THERMOPLASTIC POLYMER
 LATCH : STAINLESS STEEL
 FERRULE: BRASS
 EMI SKIRT: STAINLESS STEEL
 LOCTITE
 PADDLE CARD: PRINTED CIRCUIT SUBSTRATE
 HEAT SHRINK TUBE: POLYOLEFIN

2 - THIS PRODUCT MEETS THE RESTRICTION OF HAZARDOUS SUBSTANCES IN ELECTRICAL AND ELECTRONIC EQUIPMENT (ROHS) DIRECTIVE (2011/65/EU)

3. THIS DIMENSION IS A FINISHED PRODUCT LENGTH.

4- UNLESS OTHERWISE SPECIFIED ASSEMBLED LENGTH TOLERANCE IS TO BE:
 "DIM L" < 1 METER = ±25mm
 "DIM L" 1 METER TO 4 METERS = ± 2% OF "DIM L"
 "DIM L" > 4 METERS = +0.00/-4% OF "DIM L"

5- LABEL DETAILS:

| | |
|-------------------------------|-------------------|
| MANUFACTURER CODE OR NAME | COUNTRY OF ORIGIN |
| CUSTOMER P/N OR FCI P/N | |
| FCI CUSTOMER DRAWING REVISION | |
| FCI SERIAL NUMBER | |

FONT SHALL BE CLEARLY VISIBLE AND BLACK IN COLOR.

6- ALL CABLE ASSEMBLIES 100% TESTED FOR CONTINUITY AS DEFINED IN WIRING LIST.

7. PLACE A CABLE TIE EVERY 0.5 METER ON ALL ASSEMBLIES, UNLESS OTHERWISE SPECIFIED. IN CASE OF 0.5 METER CABLE ASSEMBLY, CABLE TIE IS TO BE APPLIED AT THE MIDWAY POINT.

8 - OTHER TESTING PERFORMED AS REQUIRED BY PRODUCT SPECIFICATION: GS-12-651.

9- PACKAGING OF LEAD FREE PRODUCTS MEETS LABELING AND PACKAGING PER SPECIFICATION GS-14-920. PACKAGE CABLE ASSEMBLIES PER GS-14-1272. DUST COVERS ARE TO BE ASSEMBLED PRIOR TO PACKAGING. FCI PACKAGE TRACKING BAG LABEL IS ONLY FOR REFERENCE.

10. A "△" SYMBOL WILL BE NEXT TO ANY DIMENSION, VIEW, OR NOTE WHICH HAS BEEN MODIFIED WITH THE CURRENT DRAWING REVISION. THE CURRENT REVISION WILL BE SHOWN IN THE SYMBOL.

11. "H" PRODUCT NUMBERS DESIGNATE THE USE OF HALOGEN FREE RAW CABLE.

12. HALOGEN FREE RAW CABLE CAN BE USED AS A SUBSTITUTE ON NON-HF PRODUCT NUMBERS.

13. MEETS ELECTRICAL PERFORMANCE REQUIREMENTS OF SAS 3.0

14. MATES TO SERIES: 10112626 or 10112627 or 10112628

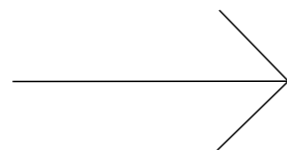
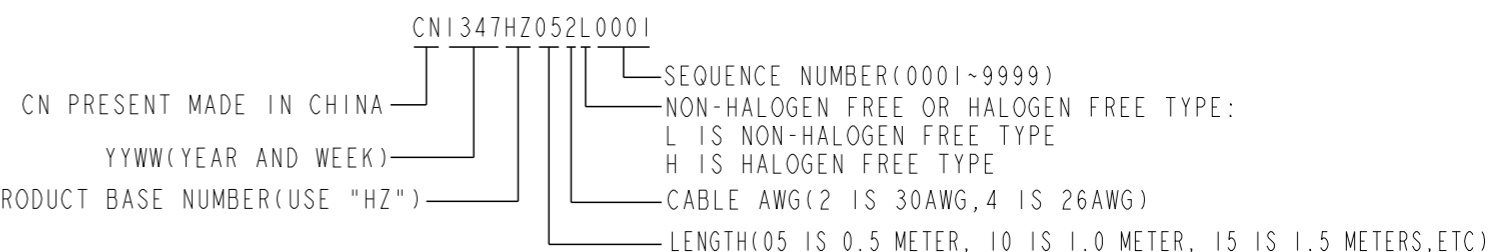
15. EEPROM MAP INFORMATION FOLLOW FCI STANDARDS.

16. RAW CABLE IS OPTIONAL, WHICH HAD BEEN QUALIFIED BY FCI AND MEET FCI PRODUCT SPEC. GS-12-651.

LABEL EXAMPLE

| |
|------------------|
| FCI CHINA |
| 10120707-2005LF |
| REV. A |
| CN1347HZ052L0001 |

FCI SERIAL NUMBER IS USED ONLY FOR TRACKING PRODUCT AND THE FORMAT DETAIL IS AS BELOW:



Copyright FCI.

| | | | | | | | | |
|-------------|-------------|--|----------------|------------------------|--------------------|--------------|-------|-----|
| dr | David Lord | 2012/04/25 | projection | mm ←→ | size | A3 | scale | 1:2 |
| eng | Tommy Lin | 2013/11/20 | | | ecn no | - | | |
| chr | - | - | | | rel level | Released | | |
| appr | Roger Cheng | 2013/11/20 | product family | C&A | | | | |
| | | title FINAL ASSEMBLY (PASSIVE) 14G MSAS HD 4X ASSEMBLY | | | dwg no 10120707 | rev A | | |
| www.fci.com | | cat. no. | - | Product - Customer Drw | | sheet 4 of 4 | | |

Данный компонент на территории Российской Федерации

Вы можете приобрести в компании MosChip.

Для оперативного оформления запроса Вам необходимо перейти по данной ссылке:

<http://moschip.ru/get-element>

Вы можете разместить у нас заказ для любого Вашего проекта, будь то серийное производство или разработка единичного прибора.

В нашем ассортименте представлены ведущие мировые производители активных и пассивных электронных компонентов.

Нашей специализацией является поставка электронной компонентной базы двойного назначения, продукции таких производителей как XILINX, Intel (ex.ALTERA), Vicor, Microchip, Texas Instruments, Analog Devices, Mini-Circuits, Amphenol, Glenair.

Сотрудничество с глобальными дистрибьюторами электронных компонентов, предоставляет возможность заказывать и получать с международных складов практически любой перечень компонентов в оптимальные для Вас сроки.

На всех этапах разработки и производства наши партнеры могут получить квалифицированную поддержку опытных инженеров.

Система менеджмента качества компании отвечает требованиям в соответствии с ГОСТ Р ИСО 9001, ГОСТ РВ 0015-002 и ЭС РД 009

Офис по работе с юридическими лицами:

105318, г.Москва, ул.Щербаковская д.3, офис 1107, 1118, ДЦ «Щербаковский»

Телефон: +7 495 668-12-70 (многоканальный)

Факс: +7 495 668-12-70 (доб.304)

E-mail: info@moschip.ru

Skype отдела продаж:

moschip.ru

moschip.ru_4

moschip.ru_6

moschip.ru_9