



# Precision Resistor Network for Programmable Instrumentation Amplifiers

## General Description

The MAX5426 is a precision resistor network optimized for use with programmable instrumentation amplifiers. The MAX5426 operates from dual  $\pm 5\text{V}$  to  $\pm 15\text{V}$  supplies and consumes less than  $40\mu\text{A}$  of supply current. Designed to be used in the traditional three op amp instrumentation amplifier topology, this device provides noninverting gains of 1, 2, 4, and 8 that are accurate to 0.025% (A-grade), 0.09% (B-grade), or 0.5% (C-grade) over the extended temperature range ( $-40^\circ\text{C}$  to  $+85^\circ\text{C}$ ). The MAX5426 is available in the  $6.4\text{mm} \times 5\text{mm}$  14-pin TSSOP package.

## Applications

General-Purpose Programmable Instrumentation Amplifiers  
Gain Control in RF Power Amplifiers  
Precision Dual Attenuator

## Features

- ◆ Differential Gains:  $A_V = 1, 2, 4, 8$
- ◆ Gain Accurate to 0.025%, 0.09%, or 0.5%
- ◆ Dual Supply  $\pm 5\text{V}$  to  $\pm 15\text{V}$  Operation
- ◆ Low  $36\mu\text{A}$  Supply Current
- ◆ Simple CMOS/TTL Logic Compatible 2-Wire Parallel Interface
- ◆ Space-Saving 14-Pin TSSOP Package ( $6.4\text{mm} \times 5\text{mm}$ )
- ◆ OFFSET Pin Available to Offset the Output of the Differential Amplifier

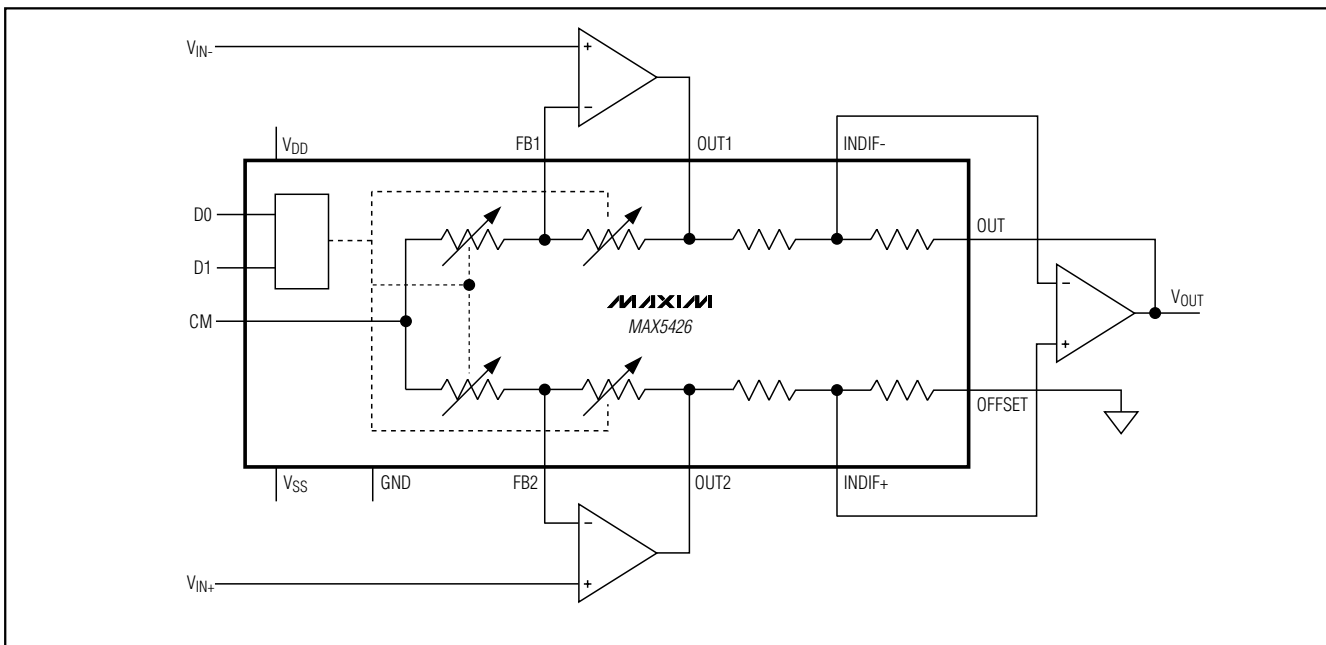
MAX5426

## Ordering Information

PART	TEMP RANGE	PIN-PACKAGE	GAIN
MAX5426AEUD	$-40^\circ\text{C}$ to $+85^\circ\text{C}$	14 TSSOP	0.025%
MAX5426BEUD	$-40^\circ\text{C}$ to $+85^\circ\text{C}$	14 TSSOP	0.09%
MAX5426CEUD	$-40^\circ\text{C}$ to $+85^\circ\text{C}$	14 TSSOP	0.5%

Pin Configuration and Functional Diagram appear at end of data sheet.

## Typical Operating Circuit



# Precision Resistor Network for Programmable Instrumentation Amplifiers

## ABSOLUTE MAXIMUM RATINGS

V <sub>DD</sub> to GND .....	-0.3V to +17V	Maximum Current from OUT1 to INDIF- or OUT.....	±0.72mA
V <sub>SS</sub> to GND.....	-17V to +0.3V	Maximum Current from OUT2 to INDIF+ or OFFSET.....	±0.72mA
D0, D1 to GND .....	-0.3V to (V <sub>DD</sub> + 0.2V)	Continuous Power Dissipation (T <sub>A</sub> = +70°C)	
D0, D1 to GND (V <sub>DD</sub> > +6V) .....	-0.3V to +6.0V	14-Pin TSSOP (derate 9.1mW/°C above +70°C) .....	727mW
All Other Pins to GND .....	(V <sub>SS</sub> - 0.3V) to (V <sub>DD</sub> + 0.2V)	Operating Temperature Range .....	-40°C to +85°C
Maximum Current Into V <sub>DD</sub> , V <sub>SS</sub> , D1, D0 .....	±50mA	Junction Temperature .....	+150°C
Maximum Current from OUT1 to CM or OUT2 .....	±0.72mA	Storage Temperature Range .....	-60°C to +150°C

Stresses beyond those listed under "Absolute Maximum Ratings" may cause permanent damage to the device. These are stress ratings only, and functional operation of the device at these or any other conditions beyond those indicated in the operational sections of the specifications is not implied. Exposure to absolute maximum rating conditions for extended periods may affect device reliability.

## ELECTRICAL CHARACTERISTICS

(V<sub>DD</sub> = +15V, V<sub>SS</sub> = -15V, GND = 0, T<sub>A</sub> = T<sub>MIN</sub> to T<sub>MAX</sub>, unless otherwise noted. Typical values are at T<sub>A</sub> = +25°C.)

PARAMETER	SYMBOL	CONDITIONS	MIN	TYP	MAX	UNITS
Gain Range Accuracy (Notes 1, 2)		MAX5426A		0.004	0.025	%
		MAX5426B		0.025	0.090	
		MAX5426C		0.080	0.500	
Capacitance at Analog Pins	C <sub>ANALOG</sub>			5		pF
Differential CMRR (Notes 1, 2)		Gain = 1		79		dB
		Gain = 2		85		
		Gain = 4		91		
		Gain = 8		97		
<b>DIGITAL INPUTS</b>						
Input High Voltage	V <sub>IH</sub>		2.4			V
Input Low Voltage	V <sub>IL</sub>				0.8	V
Input Leakage Current	I <sub>LKG</sub>	D1 = D0 = 0 or logic high			10	μA
<b>EQUIVALENT RESISTANCES</b>						
Resistance Between OUT1 and OUT2	R <sub>OUT1, ROUT2</sub>			56		kΩ
Resistance Between OUT1 and INDIF-	R <sub>OUT1, RINDIF-</sub>			26		kΩ
Resistance Between INDIF- and OUT	R <sub>INDIF-, ROUT</sub>			26		kΩ
Resistance Between OUT2 and INDIF+	R <sub>OUT2, RINDIF+</sub>			26		kΩ
Resistance Between INDIF+ and OFFSET	R <sub>INDIF+, ROFFSET</sub>			26		kΩ
Resistance Between OUT1 and FB1	R <sub>OUT1, RFB1</sub>	Gain = 1		0		kΩ
		Gain = 2		15		
		Gain = 4		22		
		Gain = 8		26		

# Precision Resistor Network for Programmable Instrumentation Amplifiers

**MAX5426**

## ELECTRICAL CHARACTERISTICS (continued)

( $V_{DD} = +15V$ ,  $V_{SS} = -15V$ ,  $GND = 0$ ,  $T_A = T_{MIN}$  to  $T_{MAX}$ , unless otherwise noted. Typical values are at  $T_A = +25^\circ C$ .)

PARAMETER	SYMBOL	CONDITIONS	MIN	TYP	MAX	UNITS
Resistance Between FB1 and FB2 (Note 3)	$R_{FB1}, R_{FB2}$	Gain = 2		29		k $\Omega$
		Gain = 4		15		
		Gain = 8		7		
Resistance Between OUT2 and FB2	$R_{OUT2}, R_{FB2}$	Gain = 1		0		k $\Omega$
		Gain = 2		15		
		Gain = 4		22		
		Gain = 8		26		
Input Impedance at FB1	$Z_{FB1}$			0		k $\Omega$
Input Impedance at FB2	$Z_{FB2}$			0		k $\Omega$
Input Impedance at OUT1 (Note 4)	$Z_{OUT1}$	Gain = 1		0		k $\Omega$
		Gain = 2		9.5		
		Gain = 4		12		
		Gain = 8		13		
Input Impedance at OUT2 (Note 4)	$Z_{OUT2}$	Gain = 1		0		k $\Omega$
		Gain = 2		9.5		
		Gain = 4		12		
		Gain = 8		13		
Input Impedance at INDIF+ (Note 4)	$Z_{INDIF+}$			0		k $\Omega$
Input Impedance at INDIF- (Note 4)	$Z_{INDIF-}$			0		k $\Omega$
Input Impedance at OUT (Note 4)	$Z_{OUT}$			26		k $\Omega$
Input Impedance at OFFSET (Note 4)	$Z_{OFFSET}$			26		k $\Omega$
<b>POWER REQUIREMENTS</b>						
Positive Power-Supply Voltage	$V_{DD}$		4.75		15.75	V
Negative Power-Supply Voltage	$V_{SS}$		-15.75		-4.75	V
Positive Supply Current	$I_{DD}$	D1 = D0 = 0		10		$\mu A$
		D1 = D0 = 5V		36	80	
Negative Supply Current	$I_{SS}$			0.01	10	$\mu A$
<b>TIMING REQUIREMENTS</b>						
Switching Time (Note 5)	$t_{SWITCHING}$	(Figure 3)		60		ns

**Note 1:** Total error when configured as instrumentation amplifier. Assumes ideal op amps.

**Note 2:** Each stage (input stage and output stage) is tested for accuracy separately and combined to give the total gain accuracy. The input stage is tested as follows: OUT1 = 10V, OUT2 = 0. Output stage is tested as follows: OUT1 = 10V, OUT2 = 0 and OUT2 = 10V, OFFSET = 0.

**Note 3:** Gain of 1 configuration is open circuit (infinite impedance).

**Note 4:** Equivalent load at each pin is calculated according to instrumentation amplifier configuration and assumes ideal op amps.

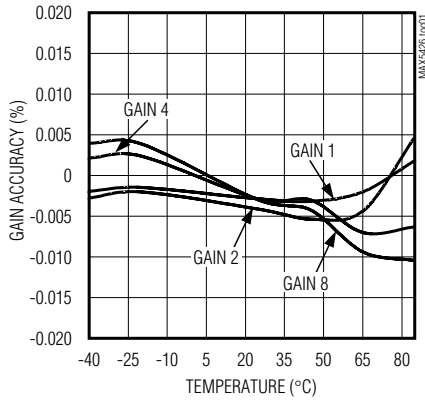
**Note 5:** See *Timing Diagram*.

# Precision Resistor Network for Programmable Instrumentation Amplifiers

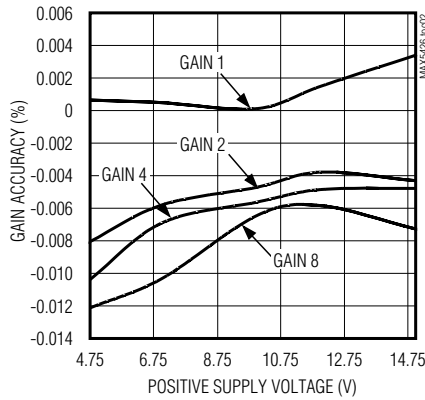
## Typical Operating Characteristics

( $V_{DD} = +15V$ ,  $V_{SS} = -15V$ ,  $T_A = +25^\circ C$ , unless otherwise noted.)

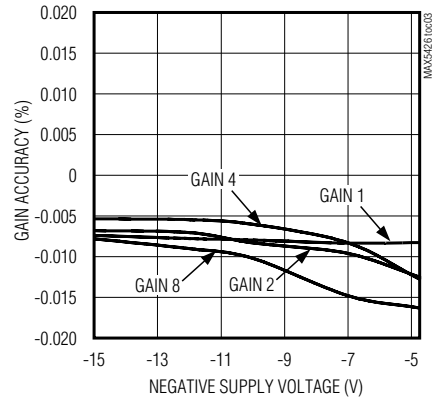
**MAX5426A GAIN ACCURACY vs. TEMPERATURE**



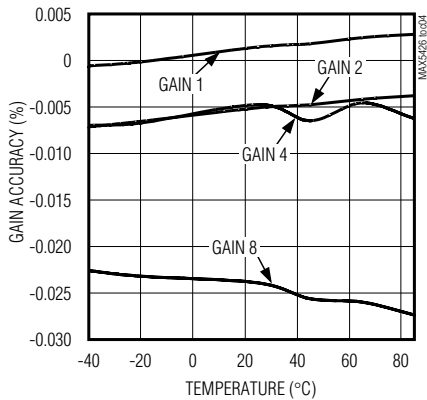
**MAX5426A GAIN ACCURACY vs. POSITIVE SUPPLY VOLTAGE**



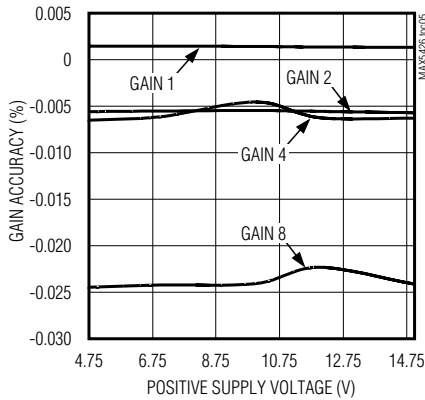
**MAX5426A GAIN ACCURACY vs. NEGATIVE SUPPLY VOLTAGE**



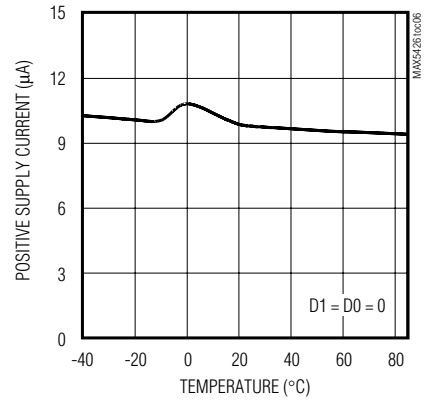
**MAX5426B GAIN ACCURACY vs. TEMPERATURE**



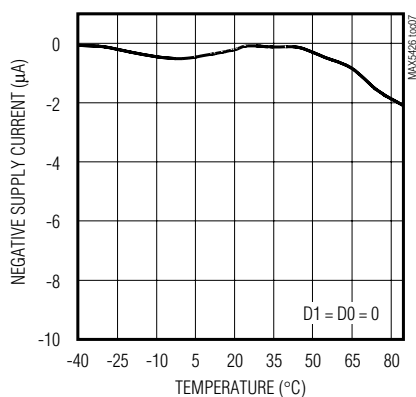
**MAX5426B GAIN ACCURACY vs. POSITIVE SUPPLY VOLTAGE**



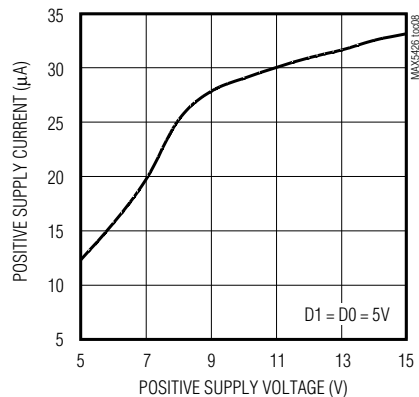
**POSITIVE SUPPLY CURRENT vs. TEMPERATURE**



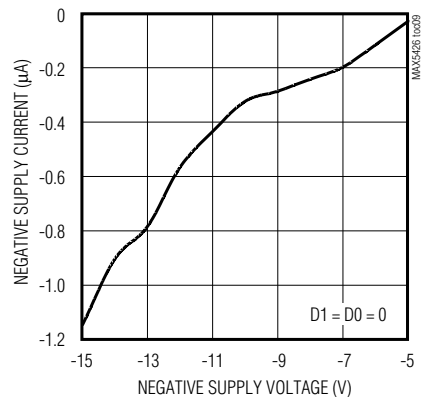
**NEGATIVE SUPPLY CURRENT vs. TEMPERATURE**



**POSITIVE SUPPLY CURRENT vs. POSITIVE SUPPLY VOLTAGE**



**NEGATIVE SUPPLY CURRENT vs. NEGATIVE SUPPLY VOLTAGE**



# Precision Resistor Network for Programmable Instrumentation Amplifiers

## Pin Description

MAX5426

PIN	NAME	FUNCTION
1	V <sub>DD</sub>	Positive Power Supply. Bypass V <sub>DD</sub> to GND with a 0.1μF capacitor.
2	GND	Ground
3	V <sub>SS</sub>	Negative Power Supply. Bypass V <sub>SS</sub> to GND with a 0.1μF capacitor.
4	FB2	First Stage Positive Input Terminal Resistor. Connect to the inverting terminal of the second input buffer (see Figure 1).
5	OUT2	First Stage Positive Output Terminal Resistor. Connect to the output terminal of the second input buffer.
6	OFFSET	Second Stage Offset Terminal. Connect to a DC voltage to offset the output of the differential amplifier.
7	INDIF-	Second Stage Negative Input Terminal Resistor. Connect to the inverting input terminal of the differential op amp.
8	INDIF+	Second Stage Positive Input Terminal Resistor. Connect to the noninverting input terminal of the differential op amp.
9	OUT	Second Stage Output Terminal, Final Output Terminal
10	OUT1	First Stage Negative Output Terminal of Resistor. Connect to the output terminal of the first input buffer.
11	FB1	First Stage Negative Input Terminal of Resistor. Connect to the inverting input terminal of the first input buffer.
12	CM	Common-Mode Voltage. CM is the input common-mode voltage of the instrumentation amplifier. Typically varies ±1% of input common-mode voltage.
13, 14	D0, D1	Digital Inputs. See Table 1.

## Detailed Description

The MAX5426 is a precision resistor network with low temperature drift and high accuracy that performs the same function as a precision resistor array and CMOS switches. Operationally, this device consists of fixed resistors and digitally controlled variable resistors that provide differential gains of 1, 2, 4, and 8 (see *Functional Diagram*). The MAX5426 provides gains accurate to 0.025% (MAX5426A), 0.09% (MAX5426B) or 0.5% (MAX5426C).

The MAX5426 is ideal for programmable instrumentation amplifiers. An offset pin is available to apply a DC offset voltage to the output of the differential amplifier. Pin CM is the common-mode input voltage and can be buffered and connected to the common-mode input of the instrumentation amplifier (usually the shield of the input cable to reduce the effects of cable capacitance and leakage).

### Digital Interface Operation

The MAX5426 features a simple two-bit parallel programming interface. D1 and D0 program the gain setting according to the *Logic-Control Truth Table* (see Table 1). The digital interface is CMOS/TTL logic compatible.

## Timing Diagram

Figure 3 shows the timing diagram of MAX5426 for two cases. In case 1, the differential input changes are at OUT1 and OUT2, while the voltage settling is observed at FB1 and FB2. The settling time ( $t_{SETTLE}$ ) is defined as the time for the output voltage (from the change in the input) to reach (and stay) within 0.02% of its final value.

In case 2, the differential inputs (OUT1 and OUT2) are at constant voltages, while D1 and D0 are varied (for example from 01 to 10) to make a change in the gain. No op amps are used in these cases.

**Table 1. Logic-Control Truth Table**

DIGITAL INPUTS		GAIN
D1	D0	
0	0	1
0	1	2
1	0	4
1	1	8

# Precision Resistor Network for Programmable Instrumentation Amplifiers

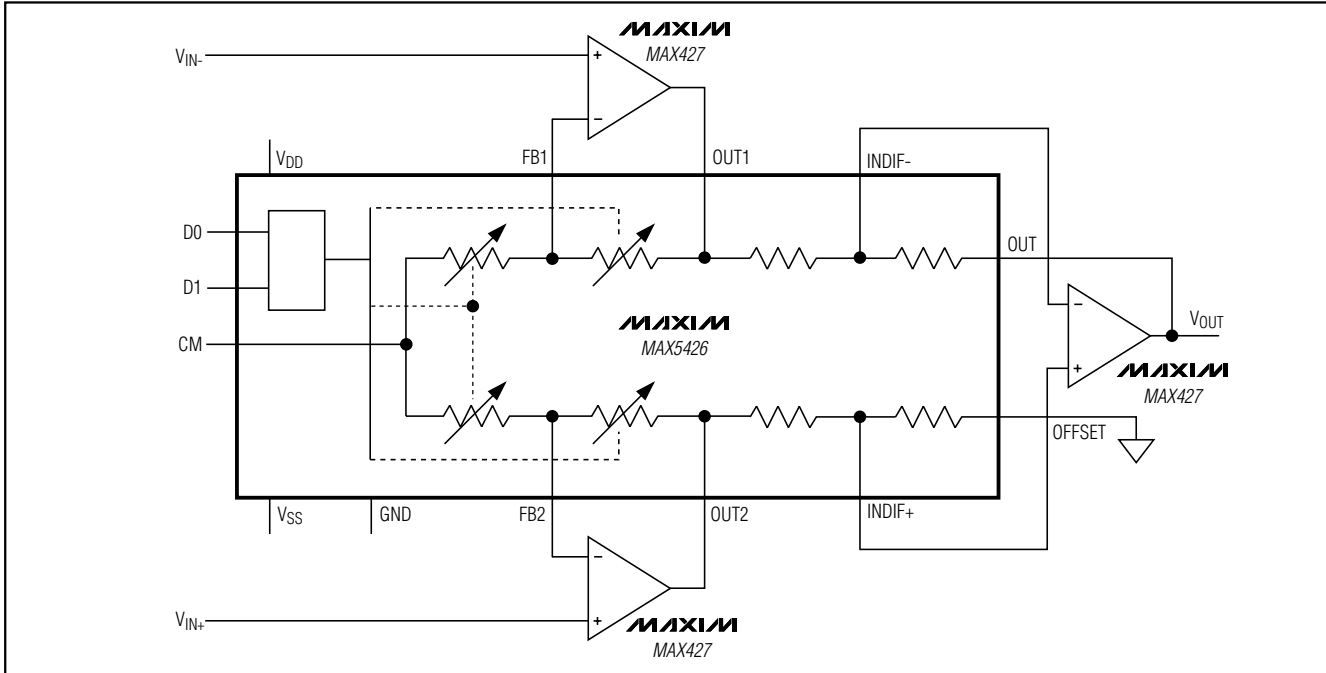


Figure 1. Programmable Instrumentation Amplifier Using MAX5426

## Applications Information

The MAX5426 is ideal for programmable instrumentation amplifier applications. The typical application circuit of Figure 1 uses the MAX5426 in classical instrumentation amplifier configurations. Two digital inputs set the gain to 1, 2, 4, or 8.

### Op Amp Selection Guidelines

Selection of an op amp for instrumentation amplifier circuits depends on the accuracy requirements of the specific application. General guidelines are to choose an op amp with sufficient open-loop gain, low input-offset voltage, and a high common-mode rejection ratio.

High open-loop gain is needed to increase the gain accuracy, while low input-offset voltage and low input-offset current help meet gain and offset requirements.

Other parameters such as low input capacitance, low input bias current, high input common-mode range, and low noise often need to be considered for a wide input voltage range stability and AC considerations. The MAX427 is an excellent choice to use with the MAX5426.

## Stereo Audio-Taper Attenuator

Figure 2 shows the application of the MAX5426 as a dual attenuator that can be used in stereo audio systems.

## Power Supplies and Bypassing

The MAX5426 operates from dual  $\pm 5V$  to  $\pm 15V$  supplies. In many applications the MAX5426 does not require bypassing. If power-supply noise is excessive, bypass  $V_{DD}$  and  $V_{SS}$  with  $0.1\mu F$  ceramic capacitors to GND.

## Layout Concerns

For best performance, reduce parasitic board capacitance by minimizing the circuit board trace from amplifier outputs to inverting inputs. Also choose op amps with low input capacitance.

# Precision Resistor Network for Programmable Instrumentation Amplifiers

MAX5426

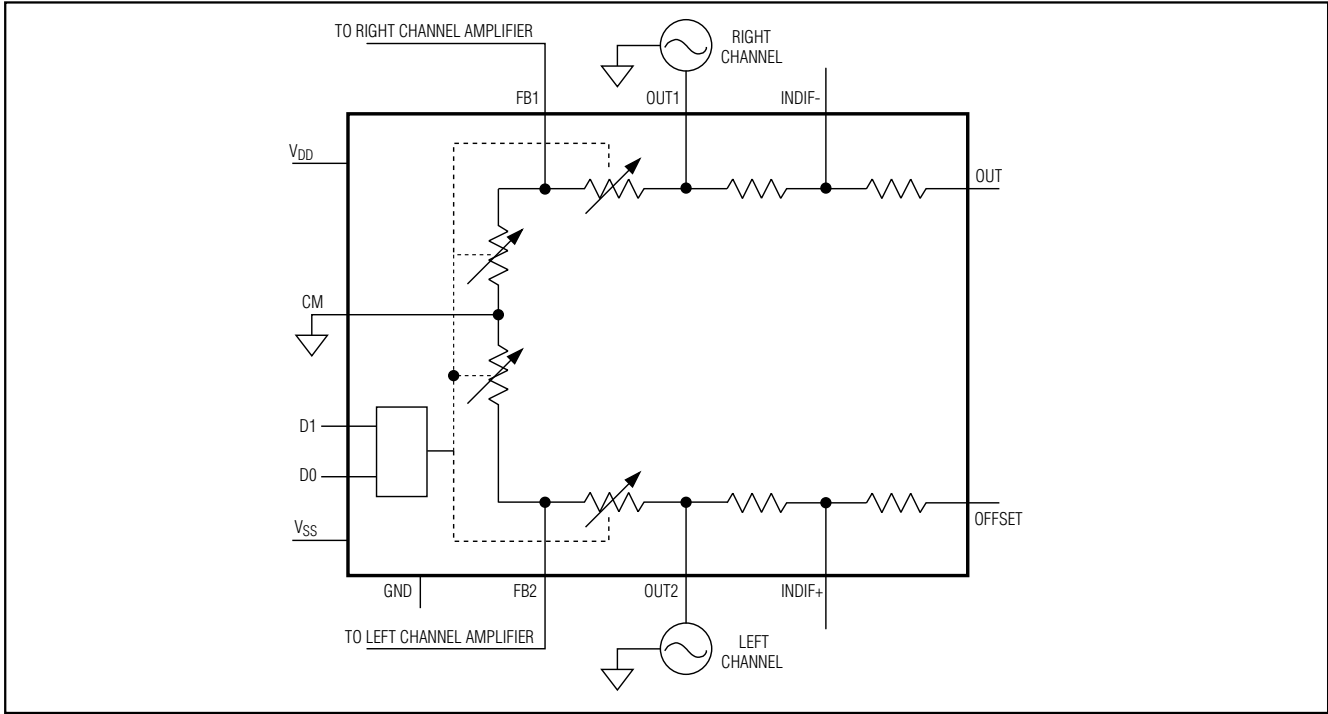


Figure 2. Stereo Audio-Taper Attenuator

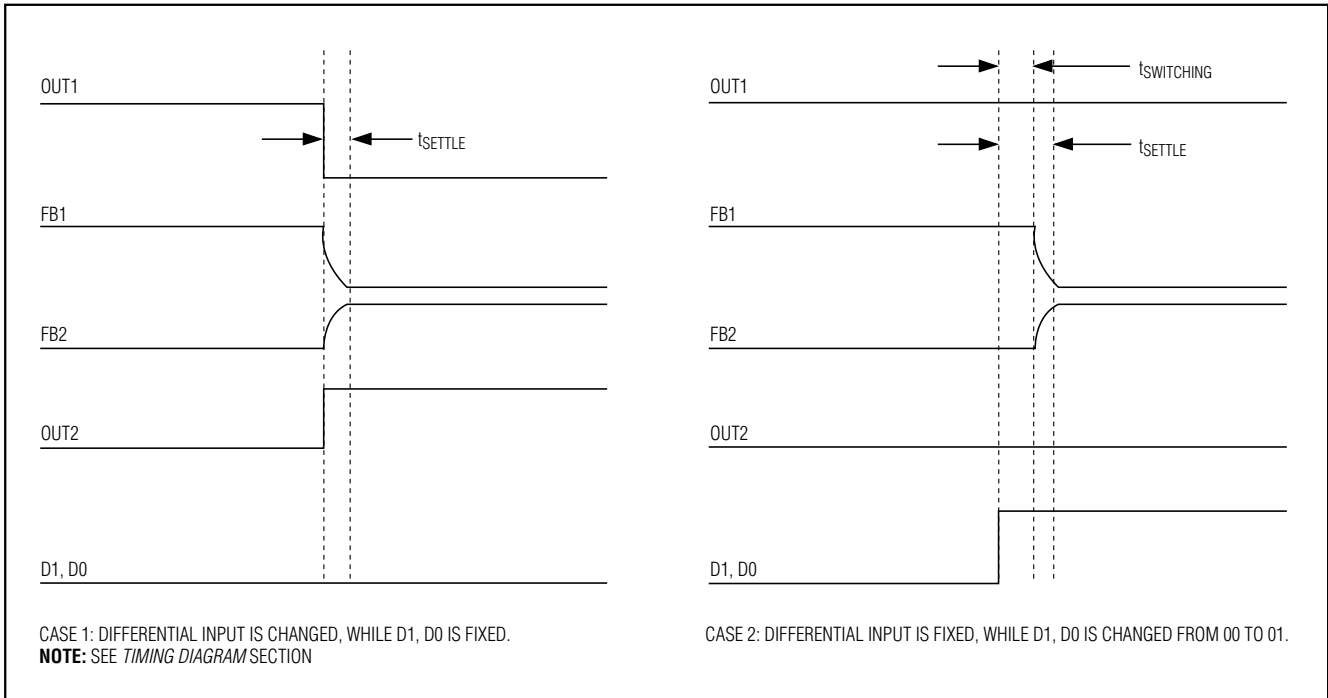
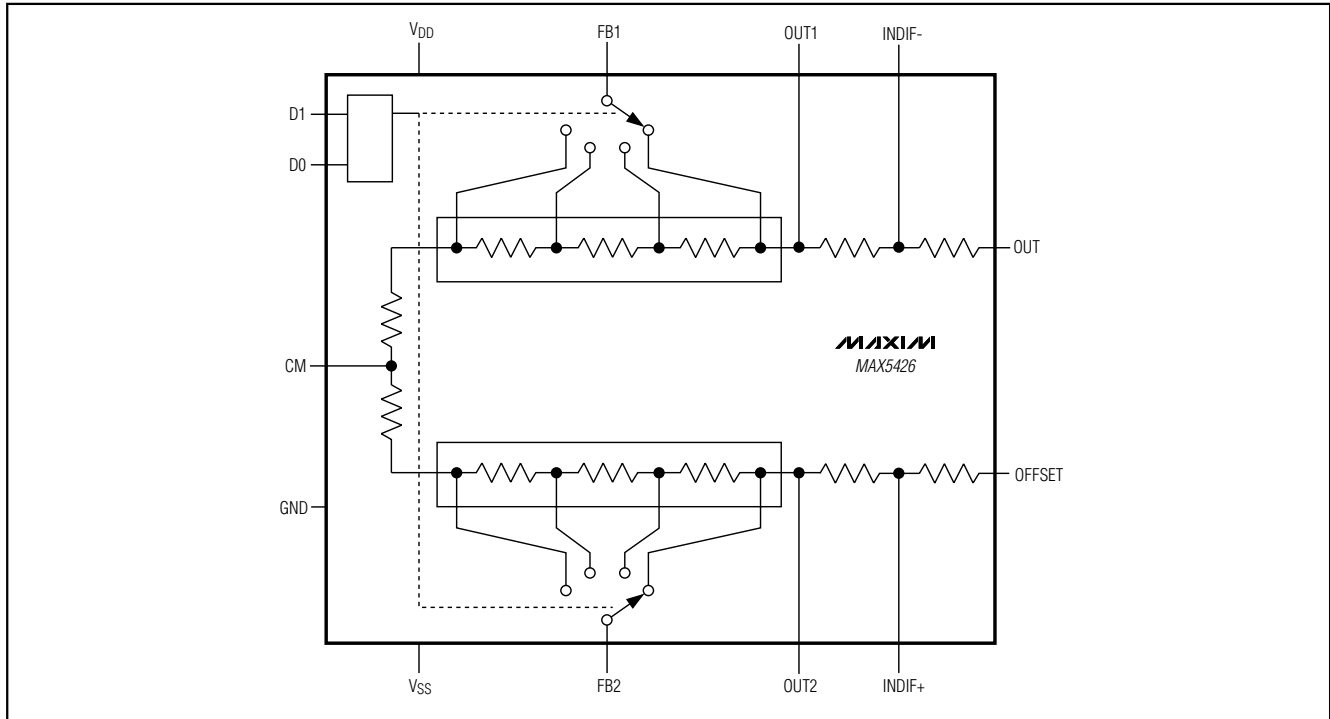


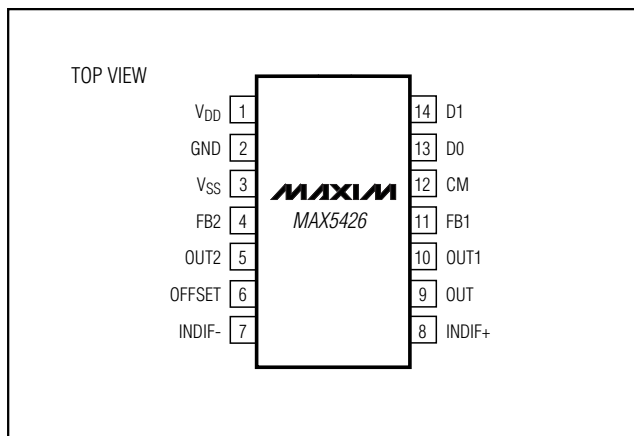
Figure 3. Timing Diagram

# Precision Resistor Network for Programmable Instrumentation Amplifiers

## Functional Diagram



## Pin Configuration



## Chip Information

TRANSISTOR COUNT: 126  
 PROCESS TECHNOLOGY: BICMOS



# Precision Resistor Network for Programmable Instrumentation Amplifiers

## Package Information

**MAX5426**

TSSOP, NO PADS/EPS

Symbol	COMMON DIMENSIONS			
	MILLIMETERS		INCHES	
	MIN.	MAX.	MIN.	MAX.
A	—	1.10	—	.043
A <sub>1</sub>	0.05	0.15	.002	.006
A <sub>2</sub>	0.85	0.95	.033	.037
b	0.19	0.30	.007	.012
b <sub>1</sub>	0.19	0.25	.007	.010
c	0.090	0.20	.0035	.008
c <sub>1</sub>	0.090	0.135	.0035	.0053
D	SEE VARIATIONS SEE VARIATIONS			
E	4.30	4.50	.169	.177
e	0.65 BSC .026 BSC			
H	6.25	6.50	.246	.256
L	0.50	0.70	.020	.028
N	SEE VARIATIONS SEE VARIATIONS			
α	0°	8°	0°	8°

JEDEC	N	VARIATIONS			
		MILLIMETERS		INCHES	
		MIN.	MAX.	MIN.	MAX.
AB-1	14	4.90	5.10	.193	.201
AB	16	4.90	5.10	.193	.201
AC	20	6.40	6.60	.252	.260
AD	24	7.70	7.90	.303	.311
AE	28	9.60	9.80	.378	.386

**NOTES:**  
 1. DIMENSIONS D AND E DO NOT INCLUDE FLASH  
 2. MOLD FLASH OR PROTRUSIONS NOT TO EXCEED 0.15mm PER SIDE  
 3. CONTROLLING DIMENSION: MILLIMETER  
 4. MEETS JEDEC OUTLINE MD-153. SEE JEDEC VARIATIONS TABLE.  
 5. \*N\* REFERS TO NUMBER OF LEADS  
 6. THE LEAD TIPS MUST LIE WITHIN A SPECIFIED ZONE. THIS TOLERANCE ZONE IS DEFINED BY TWO PARALLEL PLANES. ONE PLANE IS THE SEATING PLANE, DATUM [-C-]; THE OTHER PLANE IS AT THE SPECIFIED DISTANCE FROM [-C-] IN THE DIRECTION INDICATED.

Maxim cannot assume responsibility for use of any circuitry other than circuitry entirely embodied in a Maxim product. No circuit patent licenses are implied. Maxim reserves the right to change the circuitry and specifications without notice at any time.

Maxim Integrated Products, 120 San Gabriel Drive, Sunnyvale, CA 94086 408-737-7600 \_\_\_\_\_ 9

## Данный компонент на территории Российской Федерации

### Вы можете приобрести в компании MosChip.

Для оперативного оформления запроса Вам необходимо перейти по данной ссылке:

<http://moschip.ru/get-element>

Вы можете разместить у нас заказ для любого Вашего проекта, будь то серийное производство или разработка единичного прибора.

В нашем ассортименте представлены ведущие мировые производители активных и пассивных электронных компонентов.

Нашей специализацией является поставка электронной компонентной базы двойного назначения, продукции таких производителей как XILINX, Intel (ex.ALTERA), Vicor, Microchip, Texas Instruments, Analog Devices, Mini-Circuits, Amphenol, Glenair.

Сотрудничество с глобальными дистрибьюторами электронных компонентов, предоставляет возможность заказывать и получать с международных складов практически любой перечень компонентов в оптимальные для Вас сроки.

На всех этапах разработки и производства наши партнеры могут получить квалифицированную поддержку опытных инженеров.

Система менеджмента качества компании отвечает требованиям в соответствии с ГОСТ Р ИСО 9001, ГОСТ РВ 0015-002 и ЭС РД 009

### Офис по работе с юридическими лицами:

105318, г.Москва, ул.Щербаковская д.3, офис 1107, 1118, ДЦ «Щербаковский»

Телефон: +7 495 668-12-70 (многоканальный)

Факс: +7 495 668-12-70 (доб.304)

E-mail: [info@moschip.ru](mailto:info@moschip.ru)

Skype отдела продаж:

moschip.ru

moschip.ru\_4

moschip.ru\_6

moschip.ru\_9