



# SEK 19 male low profile connector solder angled



### General information

Design	IEC 60603-13	
No. of contacts	6,10,14,16,20,26,30,34,40,50,60,64	
Contact spacing	2,54 mm x 2,54 mm	
Test voltage Ur.m.s	1 kV	
Working voltage	500 V for pollution degree 1	
Contact resistance	max. 20mOhm	
Insulation resistance	min. 10 <sup>9</sup> Ohm	
Working current acc. to IEC 60512-2	See derating diagram	
Temperature range	-55°C ... +125°C	
Termination technology	solder	
Clearance & creepage distance	min. 0,5 mm clearance min. 0,56 creepage	
Insertion and withdrawal forces	6-pole max. 12N for PL1-2 / 18N for PL3	; 30-pole max. 60N for PL1-2 / 90N for PL3
	10-pole max. 20N for PL1-2 / 30N for PL3	; 34-pole max. 68N for PL1-2 / 102N for PL3
	14-pole max. 28N for PL1-2 / 42 for PL3	; 40-pole max. 80N for PL1-2 / 120N for PL3
	16-pole max. 32N for PL1-2 / 48N for PL3	; 50-pole max. 100N for PL1-2 / 150N for PL3
	20-pole max. 40N for PL1-2 / 60N for PL3	; 60-pole max. 120N for PL1-2 / 180N for PL3
	26-pole max. 52N for PL1-2 / 78N for PL3	; 64-pole max. 128N for PL1-2 / 192N for PL3
Mating cycles	S4 surface treatment	Au over PdNi (min. 0,76 µm)
	PL 1 acc. to IEC 60603-13	500 mating cycles    10 days gas test
	PL 2 acc. to IEC 60603-13	250 mating cycles    4 days gas test
	PL 3 acc. to IEC 60603-13	50 mating cycles    No gas test
UL file	No	
RoHS - compliant	Yes	
Leadfree	Yes	
Hot plugging	No	

### Insulator material

Material	PCT (thermoplastics, glass fiber reinforcement 30%)	
Color	Black (RAL 7001) or beige	
UL classification	UL94-V0	
Material group acc. IEC 60664-1	II (400 < CTI < 600)	
NF F 16-101 classification	No	

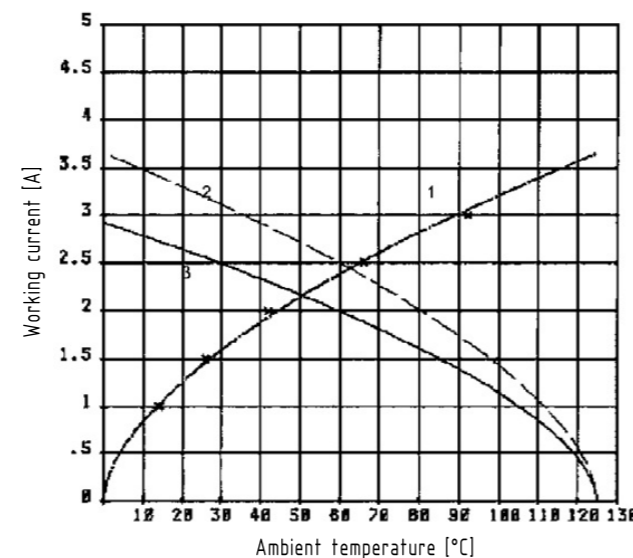
### Contact material

Contact material	Copper alloy	
Plating termination zone	Sn over Ni	
Plating contact sliding side	Au or Au over PdNi (according to performance level)	

### Derating diagram acc to IEC 60512-2 (Current carrying capacity)

The current carrying capacity is limited by maximum temperature of materials for inserts and contacts including terminals. The current capacity-curve is valid for continuous, not interrupted current-loaded contacts of connectors when simultaneous power on all contacts is given without exceeding the maximum temperature. Control and test procedures according to DIN IEC 60512.

- 1) Temperature rise
- 2) Derating
- 3) Derating curve at I max x 0.8(IEC 60512-2)



### Soldering instructions

THR (Through Hole Reflow) connectors are designed to be used in a reflow oven. THR connectors can also be used together with SMD (Surface Mount Device) components in a reflow oven. In this process, called as well "Pin in hole intrusive reflow", the connectors are inserted into plated through holes in a comparable way to conventional component mounting. All other components can be assembled on the PCB surface.

The length of the connector contacts should be such that they protrude by no more than 1,5 millimeters after insertion to the PCB. Each contact collects solder on its tip as it penetrates the solder paste in the hole. So if the contact is too long, this solder would no longer be able to reflow back into the plated through hole by capillary action during the soldering process, therefore the quality of the soldered connection would suffer as a result.

### Quantity of solder paste

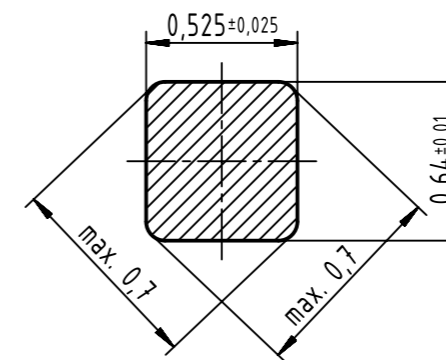
Before the components are assembled, solder paste must be applied to all solder pads (for connecting surface-mount components) and the plated through holes. To ensure that the plated through holes are completely filled, significantly more solder paste must be applied than traditional solder pads on the PCB. The following rule of thumb has proved valuable in practice:

$$V_{paste} = 2(VH - VP)$$

in which:  
 VPaste = Required volume of solder paste  
 VH = Volume of plated through hole  
 VP = Volume of the connector termination in the hole

comment: the multiplier "2" compensates for solder paste shrinkage during soldering. For this purpose, it was assumed that 50% of the paste consists of the actual solder, the other 50% being soldering aids.

### Cross section of solder terminations



### Packaging material (only for plastic tray)

Material	Polystyrol
Color	Yellow
Standardization	acc. to DIN EN / IEC 61340-5-1 and ANSI / ESD S541-2003

- Safe protection for electronic components against electrostatic charges

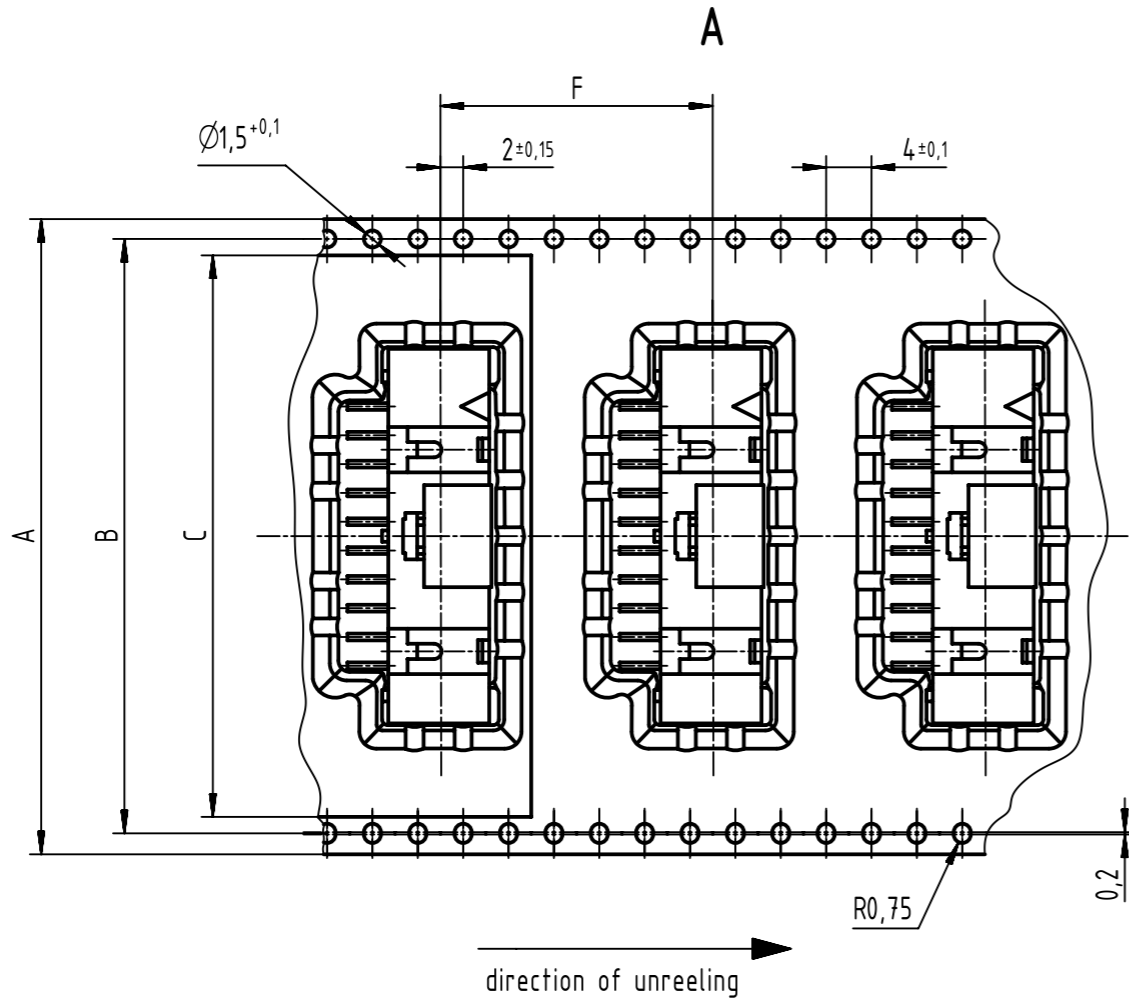
	All rights reserved	Created by	Inspected by	Standardisation	Date	State	Doc-Key / ECM-Nr. 100555122/UGD/001/F 500000131326
	Department EC PD - DE	STORCK	LEHNERT	HOFFMANN	2018-02-13	Final Release	
HARTING Electronics GmbH D-32339 Espelkamp		Title		SEK 19 male low profile connector solder angled		Rev. F	
		Type	Number				Page
		DS	09191230201				1/2



# SEK 19 male low profile connector solder angled



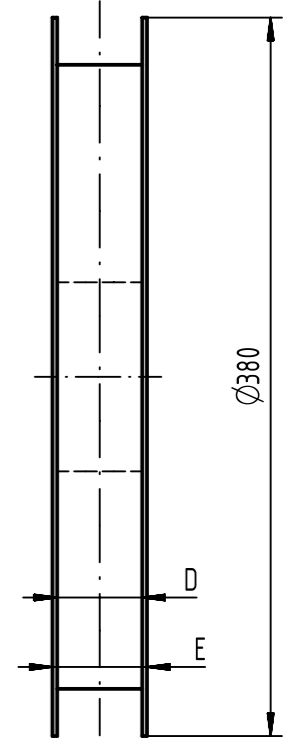
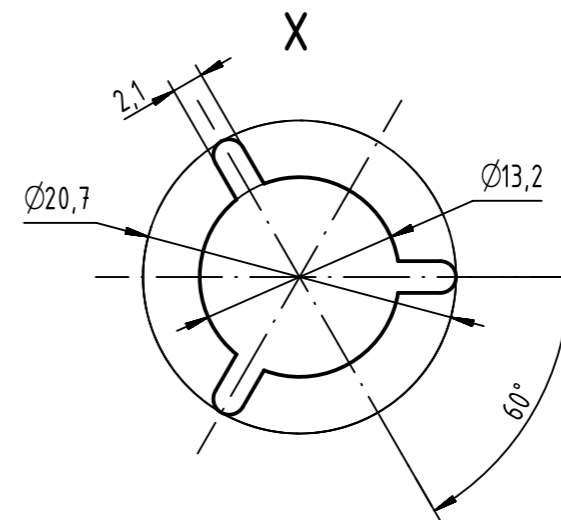
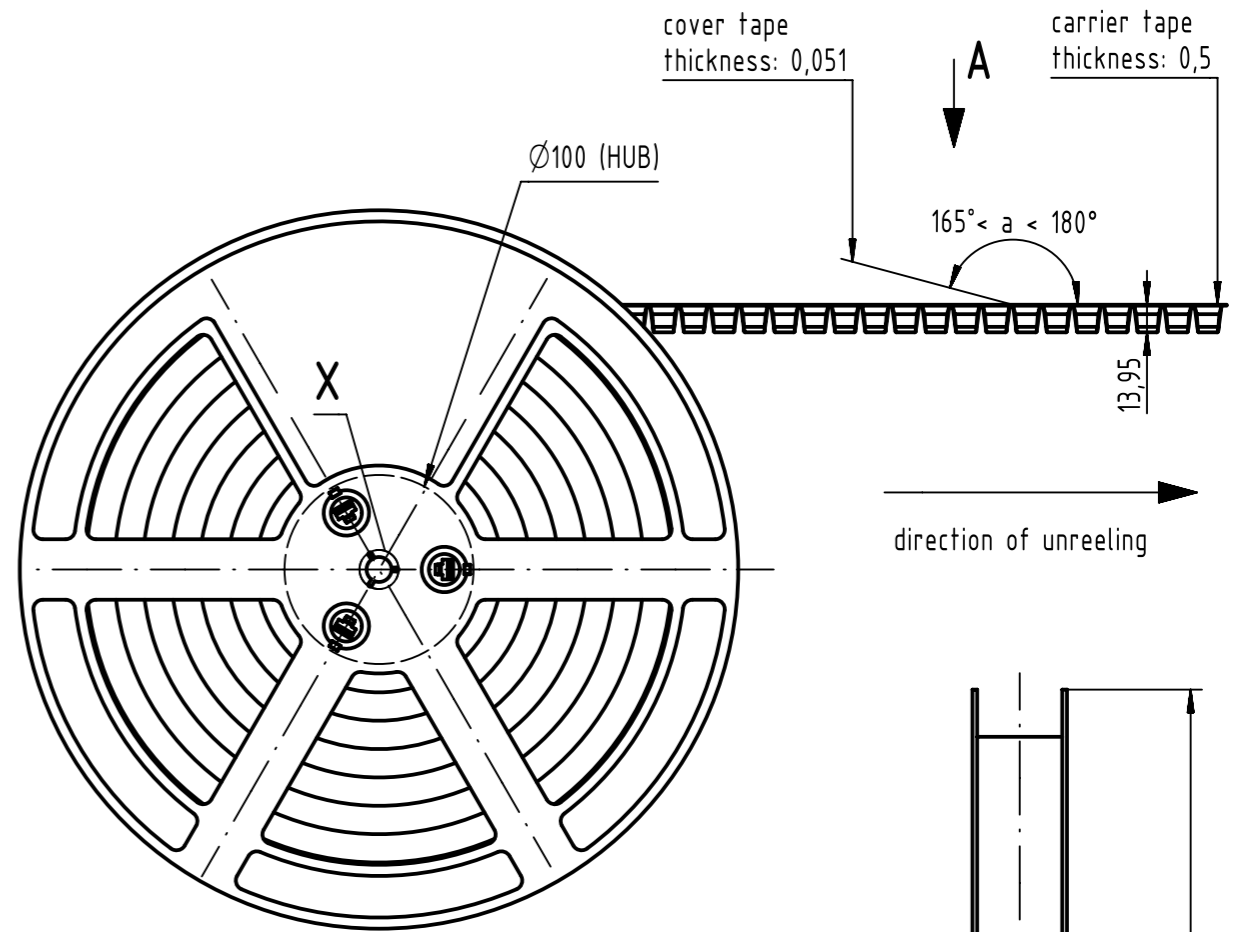
## Tape layout & packaging



colour	Part number
beige	0919 5xx x32x 740
black	0919 5xx x32x 741

40	72	68,4	65,5	73	78	24	14	280	16
34	72	68,4	65,5	73	78	24	14	280	16
30	56	52,4	49,5	57	62	24	14	280	16
26	56	52,4	49,5	57	62	24	14	280	16
20	56	52,4	49,5	57	62	24	14	280	16
16	44	40,4	37,5	45	50	24	14	280	16
14	44	40,4	37,5	45	50	24	14	280	16
10	44	40,4	37,5	45	50	24	14	280	16
6	32	28,4	25,5	33	38	24	14	280	16
contacts	A	B	C	D	E	F	-trailer- number of empty cavities	number of connector per reel	-leader- number of empty cavities

## Reel dimension



All Dimensions in mm  
Original Size DIN A3

Scale  
1:1

Free size tol.

Ref.

Sub.



All rights reserved  
Department EC PD - DE

Created by  
STORCK

Inspected by  
LEHNERT

Standardisation  
HOFFMANN

Date  
2018-02-13

State  
Final Release

Title  
SEK 19 male low profile connector solder angled

Doc-Key / ECM-Nr.  
100555122/UGD/001/F  
500000131326

Type  
DS

Number  
09191230201

Rev.  
F

Page  
2/2

HARTING Electronics GmbH  
D-32339 Espelkamp

# Mouser Electronics

Authorized Distributor

Click to View Pricing, Inventory, Delivery & Lifecycle Information:

## HARTING:

[09195067323](#) [09195205323](#) [09195207323](#) [09195267323](#) [09195407323](#) [09195507323](#) [09195607323](#)  
[09195646323](#) [09195105323](#) [09195347323](#) [09195066323](#) [09195106323](#) [09195346323](#) [09195107323](#) [09195147323](#)  
[09195166323](#) [09195167323](#) [09195266323](#) [09195146323](#) [09195506323](#) [09195206323](#)

## Данный компонент на территории Российской Федерации

### Вы можете приобрести в компании MosChip.

Для оперативного оформления запроса Вам необходимо перейти по данной ссылке:

<http://moschip.ru/get-element>

Вы можете разместить у нас заказ для любого Вашего проекта, будь то серийное производство или разработка единичного прибора.

В нашем ассортименте представлены ведущие мировые производители активных и пассивных электронных компонентов.

Нашей специализацией является поставка электронной компонентной базы двойного назначения, продукции таких производителей как XILINX, Intel (ex.ALTERA), Vicor, Microchip, Texas Instruments, Analog Devices, Mini-Circuits, Amphenol, Glenair.

Сотрудничество с глобальными дистрибьюторами электронных компонентов, предоставляет возможность заказывать и получать с международных складов практически любой перечень компонентов в оптимальные для Вас сроки.

На всех этапах разработки и производства наши партнеры могут получить квалифицированную поддержку опытных инженеров.

Система менеджмента качества компании отвечает требованиям в соответствии с ГОСТ Р ИСО 9001, ГОСТ РВ 0015-002 и ЭС РД 009

### Офис по работе с юридическими лицами:

105318, г.Москва, ул.Щербаковская д.3, офис 1107, 1118, ДЦ «Щербаковский»

Телефон: +7 495 668-12-70 (многоканальный)

Факс: +7 495 668-12-70 (доб.304)

E-mail: [info@moschip.ru](mailto:info@moschip.ru)

Skype отдела продаж:

moschip.ru

moschip.ru\_4

moschip.ru\_6

moschip.ru\_9