

Type AVES $-55\text{ }^{\circ}\text{C}$ to $+105\text{ }^{\circ}\text{C}$

Low Profile SMT Aluminum Electrolytic Capacitors

For Filtering, Bypassing and Power Supply Decoupling



Type AVES Capacitors are rated for 1000 hours at $105\text{ }^{\circ}\text{C}$ with low impedance characteristics. They are ideal for high density PC board packaging. The Type AVES offers a low in-place-cost for a high quality performer. The vertical cylindrical cases facilitate automatic mounting and reflow soldering into the same footprint of like-rated tantalum capacitors except without the need for voltage derating. Type AVES is RoHS compliant.

Highlights

- $+105\text{ }^{\circ}\text{C}$, Up to 1000 Hours Load Life
- Capacitance Range: $0.1\text{ }\mu\text{F}$ to $100\text{ }\mu\text{F}$
- Voltage Range: 6.3 Vdc to 50 Vdc

Specifications

Operating Temperature: $-55\text{ }^{\circ}\text{C}$ to $+105\text{ }^{\circ}\text{C}$

Rated Voltage: 6.3, 10, 16, 25, 35, 50 Vdc

Capacitance: $0.1\mu\text{F}$ to $100\text{ }\mu\text{F}$

Capacitance Tolerance: $\pm 20\%$ @ 120 Hz and $+20\text{ }^{\circ}\text{C}$

Leakage Current: $I = 0.01\text{ CV}$ or 3 (μA) whichever is greater after 2 minutes

C = rated capacitance in μF , V = rated DC working voltage

Ripple Current Multiplier:

| Freq. (Hz) | 50, 60 | 120 | 1 k | 10 k up |
|------------|--------|------|------|---------|
| Under 16 | 0.8 | 1.00 | 1.15 | 1.25 |
| 25 ~ 35 | 0.8 | 1.00 | 1.25 | 1.40 |
| 50 | 0.8 | 1.00 | 1.35 | 1.50 |

Dissipation Factor: ($\text{Tan } \delta$ at 120 Hz, $20\text{ }^{\circ}\text{C}$)

| Rated Voltage | 6.3 | 10 | 16 | 25 | 35 | 50 |
|------------------|------|------|------|------|------|------|
| Tan δ Max | 0.30 | 0.26 | 0.22 | 0.16 | 0.13 | 0.12 |

Low Temperature Characteristic (at 120 Hz):

| Rated Voltage | | 6.3 | 10 | 16 | 25 | 35 | 50 |
|-----------------|---|-----|----|----|----|----|----|
| Impedance Ratio | $Z(-25\text{ }^{\circ}\text{C}) / Z(+20\text{ }^{\circ}\text{C})$ | 4 | 3 | 2 | 2 | 2 | 2 |
| | $Z(-40\text{ }^{\circ}\text{C}) / Z(+20\text{ }^{\circ}\text{C})$ | 8 | 5 | 4 | 3 | 3 | 3 |



Load Life Test:

| | |
|--------------------|------------------------------------|
| Test Time | 1,000 Hours |
| Capacitance Change | Within $\pm 20\%$ of initial value |
| Dissipation Factor | Less than 200% of specified value |
| Leakage Current | Within specified value |

* The above specifications shall be satisfied when the capacitors are restored to $20\text{ }^{\circ}\text{C}$ after the rated voltage is applied for 1,000 hrs at $105\text{ }^{\circ}\text{C}$

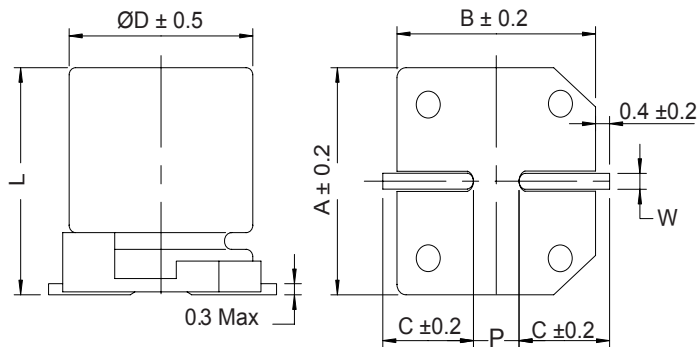
Complies with the EU Directive 2002/95/EC requirement restricting the use of Lead (Pb), Mercury (Hg), Cadmium (Cd), Hexavalent chromium (Cr(VI)), PolyBrominated Biphenyls (PBB) and PolyBrominated Diphenyl Ethers (PBDE).

Shelf Life Test: Test time: 1000 hours; other items are the same as those for life test.

Type AVES $-55\text{ }^{\circ}\text{C}$ to $+105\text{ }^{\circ}\text{C}$

Low Profile SMT Aluminum Electrolytic Capacitors

Outline Drawing, Case Code & Dimensions Table



| Case Code | Ø D (mm) | L (mm) | A (mm) | B (mm) | C (mm) | W (mm) | $P \pm 0.2$ (mm) |
|-----------|-------------------|---------------|--------|--------|--------|------------|------------------|
| B | 4.0 | 5.3 ± 0.2 | 4.3 | 4.3 | 2.0 | 0.5 to 0.8 | 1.0 |
| C | 5.0 | 5.3 ± 0.2 | 5.3 | 5.3 | 2.3 | 0.5 to 0.8 | 1.5 |
| D | 6.3 | 5.3 ± 0.2 | 6.6 | 6.6 | 2.7 | 0.5 to 0.8 | 2.0 |

Part Numbering System

| | | | | | | |
|---------------|---|------------------------------|--|------------------|--|-----------------------|
| AVES | 106 | M | 16 | B | 12T | - F |
| Series | Capacitance | Capacitance Tolerance | Voltage | Case Code | Packaging Information | RoHS Compliant |
| AVES | 104 = 0.1 μF 105 = 1.0 μF 106 = 10.0 μF 107 = 100.0 μF 108 = 1000.0 μF | M = $\pm 20\%$ | 06 = 6.3 Vdc 10 = 10 Vdc 16 = 16 Vdc 25 = 25 Vdc 50 = 50 Vdc | B = B | 12 = Carrier Tape Width (mm) T = Tape & Reel | |

Ratings

| Cap (μF) | Catalog Part Number | Max DCL 2 min. (μA) | Max DF 120 Hz 20 $^{\circ}\text{C}$ | Max ESR 120 Hz 20 $^{\circ}\text{C}$ (ohms) | Max Ripple Current 120 Hz 105 $^{\circ}\text{C}$ (mA) | Case Code | Size D x L (mm) | Quantity per Reel (each) |
|-------------------------------|---------------------|--|--|---|---|-----------|-----------------------|--------------------------------|
| 6.3 Vdc (8 Vdc Surge) | | | | | | | | |
| 22 | AVES226M06B12T-F | 3.0 | 0.30 | 22.6 | 21 | B | 4 x 5.3 | 2000 |
| 33 | AVES336M06C12T-F | 3.0 | 0.30 | 15.1 | 30 | C | 5 x 5.3 | 1000 |
| 47 | AVES476M06C12T-F | 3.0 | 0.30 | 10.6 | 46 | C | 5 x 5.3 | 1000 |
| 100 | AVES107M06D16T-F | 6.3 | 0.30 | 5.0 | 61 | D | 6.3 x 5.3 | 1000 |
| 10 Vdc (13 Vdc Surge) | | | | | | | | |
| 10 | AVES106M10B12T-F | 3.0 | 0.26 | 43.1 | 15 | B | 4 x 5.3 | 2000 |
| 22 | AVES226M10C12T-F | 3.0 | 0.26 | 19.6 | 25 | C | 5 x 5.3 | 1000 |
| 33 | AVES336M10C12T-F | 3.3 | 0.26 | 13.1 | 31 | C | 5 x 5.3 | 1000 |
| 47 | AVES476M10D16T-F | 4.7 | 0.26 | 9.2 | 43 | D | 6.3 x 5.3 | 1000 |
| 100 | AVES107M10D16T-F | 10.0 | 0.26 | 4.3 | 65 | D | 6.3 x 5.3 | 1000 |

Type AVES $-55\text{ }^{\circ}\text{C}$ to $+105\text{ }^{\circ}\text{C}$

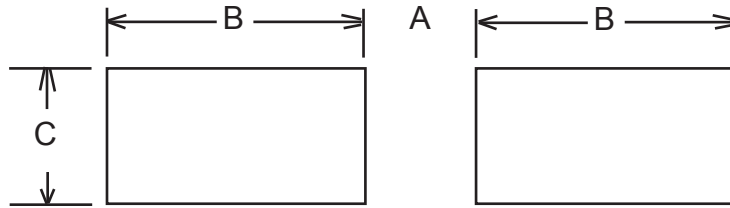
Low Profile SMT Aluminum Electrolytic Capacitors

| Cap (μF) | Catalog Part Number | Max DCL 2 min. (μA) | Max DF 120 Hz 20 $^{\circ}\text{C}$ | Max ESR 120 Hz 20 $^{\circ}\text{C}$ (ohms) | Max Ripple Current 120 Hz 105 $^{\circ}\text{C}$ (mA) | Size D x L (mm) | Quantity per Reel (each) |
|-------------------------------|------------------------|---|---|--|--|-----------------------|--------------------------------|
| 16 Vdc (20 Vdc Surge) | | | | | | | |
| 10 | AVES106M16B12T-F | 3.0 | 0.22 | 36.5 | 16 | 4 x 5.3 | 2000 |
| 22 | AVES226M16C12T-F | 3.5 | 0.22 | 16.6 | 28 | 5 x 5.3 | 1000 |
| 33 | AVES336M16D16T-F | 5.3 | 0.22 | 11.1 | 40 | 6.3 x 5.3 | 1000 |
| 47 | AVES476M16D16T-F | 7.5 | 0.22 | 7.8 | 47 | 6.3 x 5.3 | 1000 |
| 100 | AVES107M16D16T-F | 16.0 | 0.22 | 3.6 | 70 | 6.3 x 5.3 | 1000 |
| 25 Vdc (31 Vdc Surge) | | | | | | | |
| 4.7 | AVES475M25B12T-F | 3.0 | 0.16 | 56.4 | 12 | 4 x 5.3 | 2000 |
| 10 | AVES106M25C12T-F | 3.0 | 0.16 | 26.5 | 21 | 5 x 5.3 | 1000 |
| 22 | AVES226M25D16T-F | 5.5 | 0.16 | 12.1 | 36 | 6.3 x 5.3 | 1000 |
| 33 | AVES336M25D16T-F | 8.3 | 0.16 | 8.0 | 44 | 6.3 x 5.3 | 1000 |
| 47 | AVES476M25D16T-F | 11.8 | 0.16 | 5.6 | 60 | 6.3 x 5.3 | 1000 |
| 35 Vdc (44 Vdc Surge) | | | | | | | |
| 4.7 | AVES475M35B12T-F | 3.0 | 0.13 | 45.9 | 14 | 4 x 5.3 | 2000 |
| 10.0 | AVES106M35C12T-F | 3.5 | 0.13 | 21.6 | 23 | 5 x 5.3 | 1000 |
| 22.0 | AVES226M35D16T-F | 7.7 | 0.13 | 9.8 | 50 | 6.3 x 5.3 | 1000 |
| 50 Vdc (63 Vdc Surge) | | | | | | | |
| .10 | AVES104M50B12T-F | 3.0 | 0.12 | 1989.4 | 2 | 4 x 5.3 | 2000 |
| .22 | AVES224M50B12T-F | 3.0 | 0.12 | 904.3 | 3 | 4 x 5.3 | 2000 |
| .33 | AVES334M50B12T-F | 3.0 | 0.12 | 602.8 | 4 | 4 x 5.3 | 2000 |
| .47 | AVES474M50B12T-F | 3.0 | 0.12 | 423.3 | 5 | 4 x 5.3 | 2000 |
| 1.0 | AVES105M50B12T-F | 3.0 | 0.12 | 198.9 | 7 | 4 x 5.3 | 2000 |
| 2.2 | AVES225M50B12T-F | 3.0 | 0.12 | 90.4 | 10 | 4 x 5.3 | 2000 |
| 3.3 | AVES335M50B12T-F | 3.0 | 0.12 | 60.3 | 12 | 4 x 5.3 | 2000 |
| 4.7 | AVES475M50C12T-F | 3.0 | 0.12 | 42.3 | 17 | 5 x 5.3 | 1000 |
| 10.0 | AVES106M50D16T-F | 5.0 | 0.12 | 19.9 | 26 | 6.3 x 5.3 | 1000 |
| 22.0 | AVES226M50D16T-F | 11.0 | 0.12 | 9.0 | 51 | 6.3 x 5.3 | 1000 |

Type AVES $-55\text{ }^{\circ}\text{C}$ to $+105\text{ }^{\circ}\text{C}$

Low Profile SMT Aluminum Electrolytic Capacitors

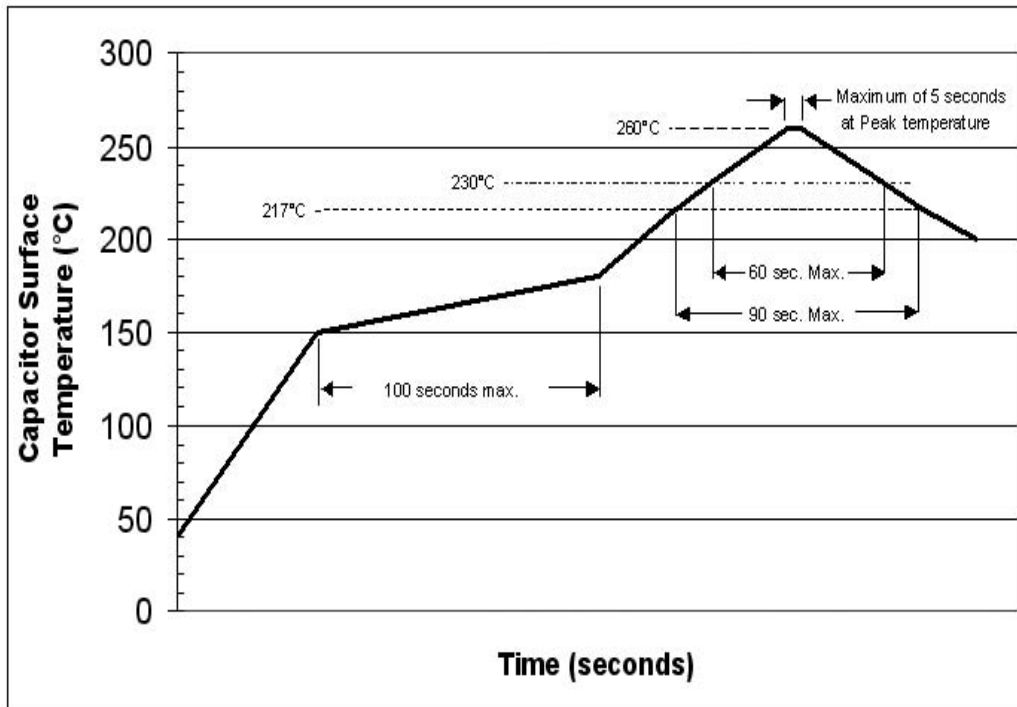
Recommended Land Patterns by case size for AVES series



| Case Code | Case Size | Land Dimensions (mm) | | |
|-----------|-----------|----------------------|-----|-----|
| | | C | B | A |
| B | 4x5.3 | 1.6 | 2.6 | 1 |
| C | 5x5.3 | 1.6 | 3 | 1.4 |
| D | 6.3x5.3 | 1.6 | 3.5 | 1.9 |

Recommended Soldering Methods

Recommended Reflow Soldering Profile:



Parts should be subjected to just one reflow soldering process.

Soldering with a solder iron should be performed with a maximum soldering iron tip temperature of $350\pm 5\text{ }^{\circ}\text{C}$ for 3 to 4 seconds.

Данный компонент на территории Российской Федерации

Вы можете приобрести в компании MosChip.

Для оперативного оформления запроса Вам необходимо перейти по данной ссылке:

<http://moschip.ru/get-element>

Вы можете разместить у нас заказ для любого Вашего проекта, будь то серийное производство или разработка единичного прибора.

В нашем ассортименте представлены ведущие мировые производители активных и пассивных электронных компонентов.

Нашей специализацией является поставка электронной компонентной базы двойного назначения, продукции таких производителей как XILINX, Intel (ex.ALTERA), Vicor, Microchip, Texas Instruments, Analog Devices, Mini-Circuits, Amphenol, Glenair.

Сотрудничество с глобальными дистрибьюторами электронных компонентов, предоставляет возможность заказывать и получать с международных складов практически любой перечень компонентов в оптимальные для Вас сроки.

На всех этапах разработки и производства наши партнеры могут получить квалифицированную поддержку опытных инженеров.

Система менеджмента качества компании отвечает требованиям в соответствии с ГОСТ Р ИСО 9001, ГОСТ РВ 0015-002 и ЭС РД 009

Офис по работе с юридическими лицами:

105318, г.Москва, ул.Щербаковская д.3, офис 1107, 1118, ДЦ «Щербаковский»

Телефон: +7 495 668-12-70 (многоканальный)

Факс: +7 495 668-12-70 (доб.304)

E-mail: info@moschip.ru

Skype отдела продаж:

moschip.ru

moschip.ru_4

moschip.ru_6

moschip.ru_9