

### Main

|                               |                              |
|-------------------------------|------------------------------|
| Range of product              | Harmony XB6                  |
| Product or component type     | Head for key selector switch |
| Device short name             | ZB6                          |
| Bezel material                | Plastic                      |
| Mounting diameter             | 0.63 in (16 mm)              |
| Sale per indivisible quantity | 1                            |
| Shape of signaling unit head  | Rectangular                  |
| Type of operator              | Stay put                     |
| Operator profile              | Black key switch             |
| Operator position information | 2 positions                  |
| Type of keylock               | Ronis 200                    |
| Key withdrawal position       | Center                       |

### Complementary

|                    |                       |
|--------------------|-----------------------|
| CAD overall width  | 0.94 in (24 mm)       |
| CAD overall height | 0.71 in (18 mm)       |
| CAD overall depth  | 2.17 in (55 mm)       |
| Product weight     | 0.07 lb(US) (0.03 kg) |

### Environment

|                                       |  |
|---------------------------------------|--|
| protective treatment                  | TC   |
| ambient air temperature for storage   | -40...158 °F (-40...70 °C)   |
| ambient air temperature for operation | -13...158 °F (-25...70 °C)   |
| electrical shock protection class     | Class II conforming to IEC 61140   |
| IP degree of protection               | IP65 conforming to IEC 60529   |
| NEMA degree of protection             | NEMA 13 conforming to UL 50<br>NEMA 4 conforming to UL 50<br>NEMA 4X conforming to UL 50<br>NEMA 4 conforming to CSA C22.2 No 94<br>NEMA 13 conforming to CSA C22.2 No 94<br>NEMA 4X conforming to CSA C22.2 No 94 |
| standards                             | EN/IEC 60947-1<br>EN/IEC 60947-5-1<br>EN/IEC 60947-5-5<br>JIS C 4520<br>JIS C 852<br>UL 508<br>CSA C22.2 No 14   |
| product certifications                | CCC<br>CSA<br>GOST<br>UL   |
| vibration resistance                  | +/- 3 mm (f = 2...500 Hz) conforming to IEC 60068-2-6<br>5 gn (f = 2...500 Hz) conforming to IEC 60068-2-6   |
| shock resistance                      | 30 gn (duration = 18 ms) half sine wave acceleration conforming to IEC 60068-2-27<br>50 gn (duration = 11 ms) half sine wave acceleration conforming to IEC 60068-2-27   |

### Offer Sustainability

|  |  |
|--|--|
| WARNING: This product can expose you to chemicals including:                           | WARNING: This product can expose you to chemicals including:                           |
| Nickel compounds, which is known to the State of California to cause cancer, and       | Nickel compounds, which is known to the State of California to cause cancer, and       |
| Di-isodecyl phthalate (DIDP), which is known to the State of California to cause birth | Di-isodecyl phthalate (DIDP), which is known to the State of California to cause birth |

The information provided in this documentation contains general descriptions and/or technical characteristics of the products contained herein. This documentation is not intended as a substitute for and is not to be used for determining suitability or reliability of these products for specific user applications. It is the duty of any such user or integrator to perform the appropriate and complete risk analysis, evaluation and testing of the products with respect to the relevant specific application or use thereof. Neither Schneider Electric Industries SAS nor any of its affiliates or subsidiaries shall be responsible or liable for misuse of the information contained herein.

of California to cause birth defects or other reproductive defects or other reproductive harm.

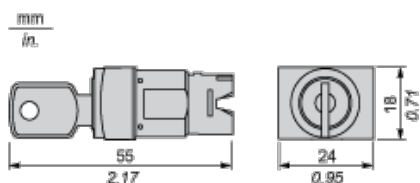
For more information go to [www.p65warnings.ca.gov](http://www.p65warnings.ca.gov) For more information go to [www.p65warnings.ca.gov](http://www.p65warnings.ca.gov)

### Contractual warranty

Warranty period 18 months

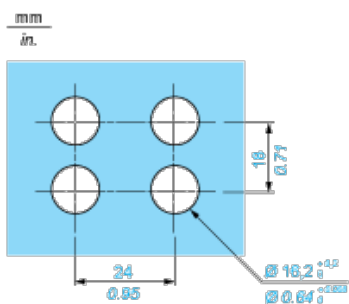
## Rectangular Head for Key Switch

### Dimensions



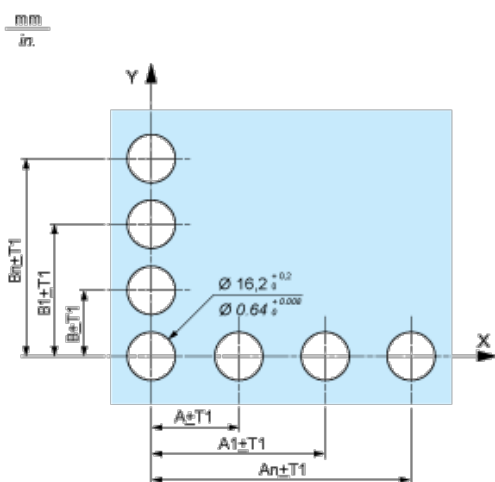
## Panel Cut-out

### For Rectangular Head

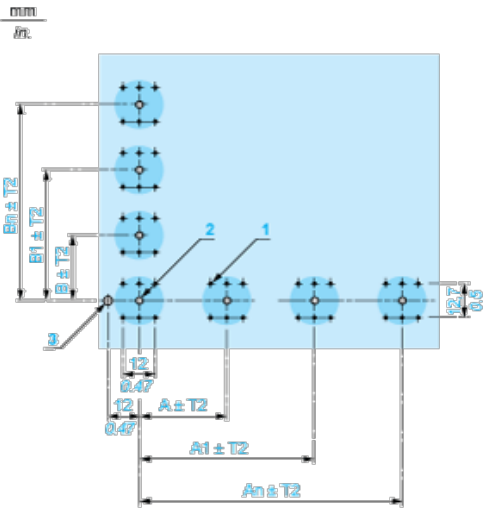


## Pushbuttons, Switches and Pilot Lights for Printed Circuit Board Connection

### Front Panel Cut-out (Viewed from Installer's Side)



### Printed Circuit Board Drillings (Viewed from Electrical Block Side)



A 24 mm/0.94 in. minimum for rectangular heads, 18 mm/0.71 in. minimum for square or circular heads

B 18 mm/0.71 in. minimum

(1) 6 x Ø 1.1 mm / 6 x Ø 0.04 in. holes.

(2) 1 x Ø 2.6<sup>0</sup><sub>-0.2</sub> mm / 1 x Ø 0.10<sup>0</sup><sub>-0.008</sub> in. hole for locating pin, only when using socket adaptor ZB6Y010.

(3) 1 x Ø 3.2<sup>0</sup><sub>-0.2</sub> mm / 1 x Ø 0.13<sup>0</sup><sub>-0.008</sub> in. hole for fixing of printed circuit board onto the front panel using body bracket ZB6Y011. This hole must be drilled on the left-hand side, when heads are positioned at the normal angle. Fit a body bracket ZB6Y011 every 72 mm/2.83 in. maximum for cut-outs on 24 mm/0.94 in. centres (rectangular heads) and 54 mm/2.13 in. maximum for cut-outs on 18 mm/0.71 in. centres (square or circular heads).

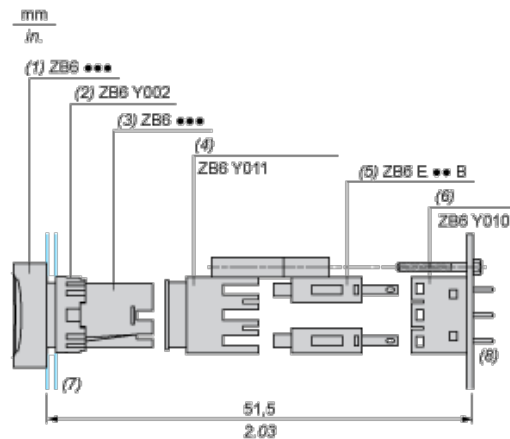
**General tolerances of the panel and printed circuit board: T1, T2: T1 + T2 = 0.3 mm/0.01 in. maximum.**

#### Installation precautions:

Thickness of printed circuit board: 1.6 mm/0.06 in. minimum.

#### Mounting with Body Bracket

##### With socket adaptor ZB6Y010



(1) Head

(2) Nut

(3) Body

(4) Body bracket

(5) Contact block

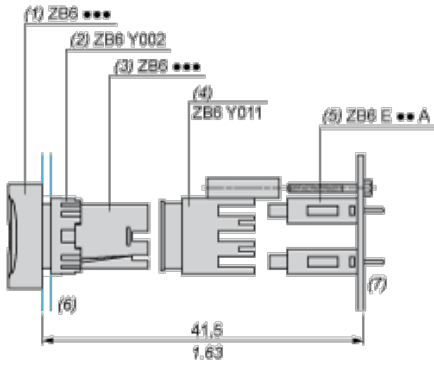
(6) Socket adaptor

(7) Panel

(8) Printed circuit

##### Direct mounting without socket adaptor ZB6Y010

mm  
in.



- (1) Head
- (2) Nut
- (3) Body
- (4) Body bracket
- (5) Contact block
- (6) Panel
- (7) Printed circuit

## Данный компонент на территории Российской Федерации

### Вы можете приобрести в компании MosChip.

Для оперативного оформления запроса Вам необходимо перейти по данной ссылке:

<http://moschip.ru/get-element>

Вы можете разместить у нас заказ для любого Вашего проекта, будь то серийное производство или разработка единичного прибора.

В нашем ассортименте представлены ведущие мировые производители активных и пассивных электронных компонентов.

Нашей специализацией является поставка электронной компонентной базы двойного назначения, продукции таких производителей как XILINX, Intel (ex.ALTERA), Vicor, Microchip, Texas Instruments, Analog Devices, Mini-Circuits, Amphenol, Glenair.

Сотрудничество с глобальными дистрибьюторами электронных компонентов, предоставляет возможность заказывать и получать с международных складов практически любой перечень компонентов в оптимальные для Вас сроки.

На всех этапах разработки и производства наши партнеры могут получить квалифицированную поддержку опытных инженеров.

Система менеджмента качества компании отвечает требованиям в соответствии с ГОСТ Р ИСО 9001, ГОСТ РВ 0015-002 и ЭС РД 009

### Офис по работе с юридическими лицами:

105318, г.Москва, ул.Щербаковская д.3, офис 1107, 1118, ДЦ «Щербаковский»

Телефон: +7 495 668-12-70 (многоканальный)

Факс: +7 495 668-12-70 (доб.304)

E-mail: [info@moschip.ru](mailto:info@moschip.ru)

Skype отдела продаж:

moschip.ru

moschip.ru\_4

moschip.ru\_6

moschip.ru\_9