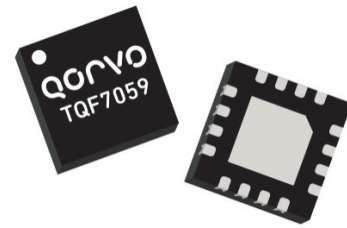


General Description

The TQF7059 is a fully integrated WLAN front-end module (FEM) designed for 802.11ac applications. The TQF7059 contains a 5 GHz power amplifier, a power detector, a front-end SPDT switch, and an LNA with bypass mode. The architecture and interface are optimized to provide outstanding stable performance across temperature and voltage range for next generation, high throughput 802.11ac WLAN applications.

The TQF7059 FEM features CMOS compatible control voltages to facilitate ease of use. With its integrated compact design, the TQF7059 minimizes radio footprint and component count while achieving industry leading output power and EVM rivaling complex discrete high power designs.

The TQF7059 is assembled in a Pb-Free, thin profile, 16 pad, 3 mm x 3 mm x 0.85 mm QFN package.

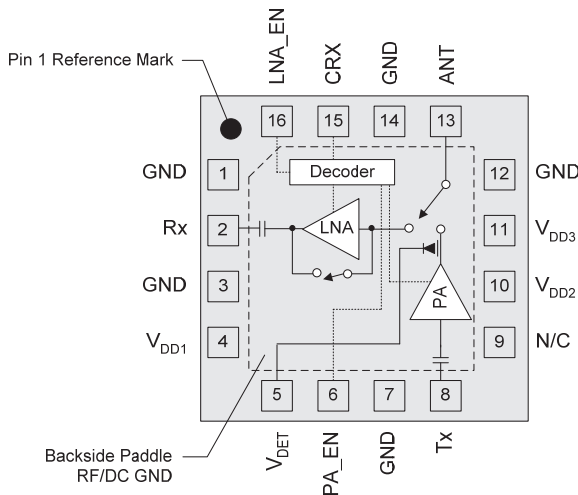


16 Pad 3 x 3 x 0.85 mm QFN Package

Product Features

- Fully Integrated, 802.11a/n/ac Front-end Module
- Internally Matched Input/Output
- Integrated Power Detector
- Temperature Compensated Bias Network
- Typ. Pout=+21.5 dBm at EVM=1.8% (-35 dB) 802.11ac/MCS9/VHT80 (+5 V)
- Typ. Pout=+23 dBm at EVM=3.0 % (-30 dB) 802.11n/MCS7/HT40 (+5 V)
- Supply Voltage +3.3 V to +5 V
- Leadless 3 x 3 x 0.85 mm QFN Package
- Lead Free, RoHS Compliant

Functional Block Diagram



Applications

- 802.11a/n/ac Wireless LAN Systems
- CPE (Set Top Box, routers, gateways)
- WiFi Access Points and Small Cells
- Telematics
- Gaming and Infotainment
- ISM applications 5–6 GHz

Ordering Information

Part No.	Description
TQF7059	2500 Pieces on a 7" reel (standard)
TQF7059-PCB	Assembled Evaluation Board

Absolute Maximum Ratings

Parameter	Rating
Storage Temperature	-40 to +150 °C
RF Input Power, CW, 50Ω, T=25 °C	+5 dBm
Case Temperature Survival	-40 to +100 °C

Operation of this device outside the parameter ranges given above may cause permanent damage.

Recommended Operating Conditions

Parameter	Min	Typ	Max	Units
V _{DD1} , V _{DD2} , V _{DD3}	+3.15	+5.0	+5.25	V
T _{AMB}	-30	25	+85	°C
T _j (for > 10 ⁶ hours MTTF)			170	°C

Electrical specifications are measured at specified test conditions. Specifications are not guaranteed over all recommended operating conditions.

Electrical Specifications – Overall Module

Parameter	Conditions ⁽¹⁾	Min	Typ	Max	Units
Quiescent Current	P _{out} = -10 dBm, 11ac, MCS9, HT80		180		mA
Operating Current	P _{out} = +20.5 dBm, 11ac, MCS9, HT80		300		mA
PA Enable Control Voltage, V _{IH}	Input Voltage for High State	+1.8	+3.0	V _{DD1}	V
PA Enable Control Voltage, V _{IL}	Input Voltage for Low State		0	+0.45	V
Control Current, I _{IH}				100	μA
TX Shutdown Current			8		μA
TX Turn on/off time	10 – 90%		<0.4		μs
TX Rise/Fall time	10 – 90%		<0.4		μs
Thermal Resistance, θ _{jc}	Junction to backside paddle		27		°C/W

Notes:

1. Test conditions unless otherwise noted: V_{DD1}, V_{DD2}, V_{DD3} = +5.0 V, Temp = +25°C.

Logic Truth Table

5 GHz FEM	PA_EN	LNA_EN	CRX
Shutdown	0	0	0
Rx - Bypass Mode	0	0	1
RX- Normal Mode	0	1	1
TX Mode	1	0	0

Electrical Specifications – Transmit (Tx)

Parameter	Conditions	Min	Typ	Max	Units
Operational Freq. Range		4900		5925	MHz
TX Gain	Small Signal		31		dB
	Pout = +21dBm		31		dB
Small Signal TX Gain Out of Band	1600 – 1960 MHz		-35		dB
	3200 – 3900 MHz		2		
	7000 MHz		20		
PA Noise Figure	Noise Figure		4		dB
TX Harmonics (2fo)	Pout = +25 dBm, 11a, 6 Mbps, 20 MHz		-33		dBm/MHz
TX Harmonics (3fo)	Pout = +25 dBm, 11a, 6 Mbps, 20 MHz		-37		dBm/MHz
ANT-RX Isolation	When TX is ON		45		dB
Spectral Emission Mask Margin Relative to 11ac standard 11ac, MCS0, HT20	Pout = +25 dBm		3.6		dB
DEVM (11n/MCS7/HT40)	Pout = +23 dBm, 5150 – 5850 MHz		-30		dB
DEVM (11ac/MCS9/VHT80)	Pout = +16 dBm, 5150 – 5850 MHz		-37		dB
DEVM (11ac/MCS9/VHT80)	Pout = +20.5 dBm, 5150 – 5850 MHz		-36		dB
Quiescent Current	No RF		180		mA
Operating Current	Pout = +20.5 dBm, 11ac, MCS9, VHT80		300		mA
Detector Voltage	No RF		0.35		V
	Pout = +25 dBm		1.0		

Notes:

- Test conditions unless otherwise noted: $V_{DD1}, V_{DD2}, V_{DD3} = +5.0\text{ V}$, Temp. = +25 °C, -45 dB EVM source, TQF7059-PCB

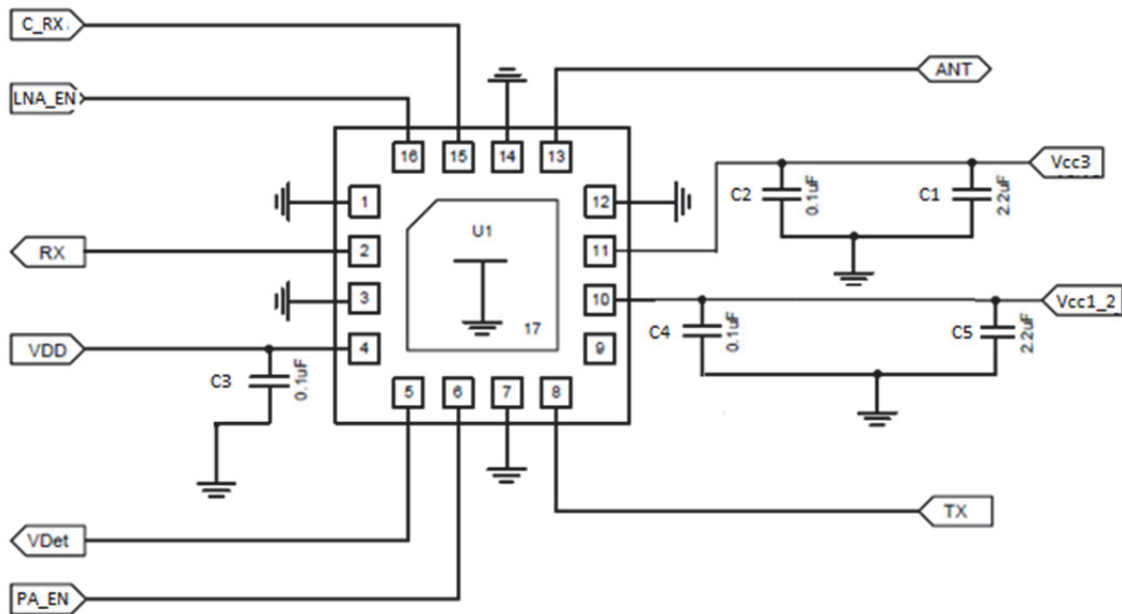
Electrical Specifications – Receive (Rx)

Parameter	Conditions	Min	Typ	Max	Units
Operating Frequency		4900		5925	MHz
RX Gain – Normal Mode	ANT to RX out		13		dB
RX Gain – Bypass Mode	ANT to RX out		-7		dB
RX Flatness	Over entire, ANT to RX out	-1		1	
RX Noise Figure	Normal mode, ANT to RX out		2.1		dB
LNA Current			9		mA
IIP3 – Normal Mode	At ANT port through LNA		+4.0		dBm
IIP3 – Bypass Mode	At ANT port through LNA		+23		dBm
RX Output Return Loss	RX output in RX mode		10		dB
RX ANT Port Return Loss	ANT port in RX mode		7		dB
RX Output Return Loss	RX output in Bypass mode		12		dB
RX ANT Port Return Loss	ANT port in Bypass mode		7		dB

Notes:

- Test conditions unless otherwise noted: $V_{DD1}, V_{DD2}, V_{DD3} = +5.0\text{ V}$, Temp. = +25 °C, TQF7059-PCB

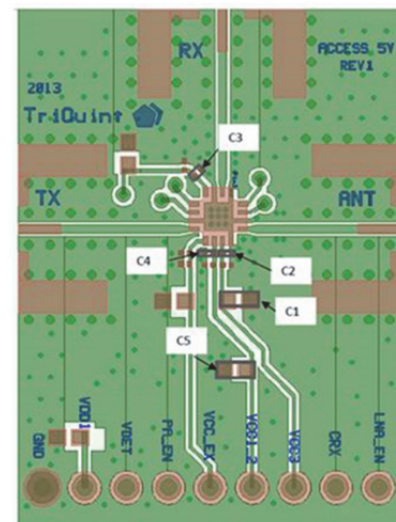
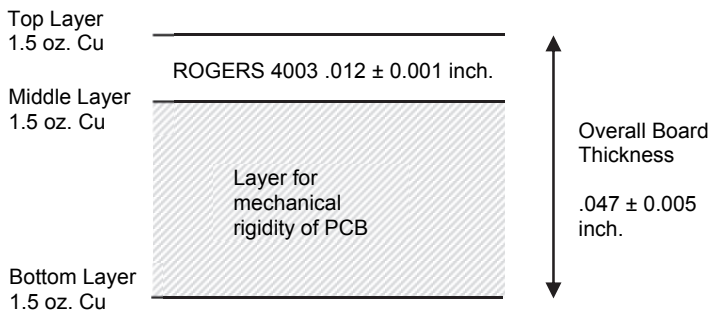
Application Circuit - TQF7059-PCB



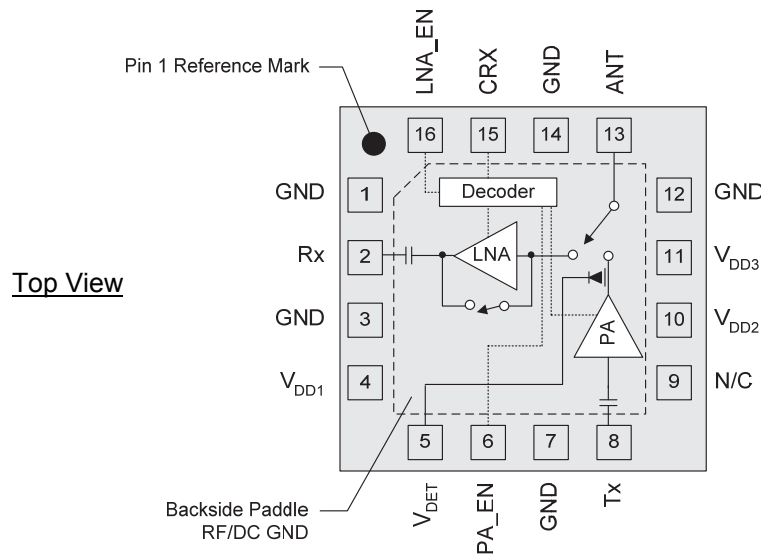
Bill of Material - TQF7059-PCB

Ref Des	Value	Description	Manuf.	Part Number
n/a	n/a	Printed Circuit Board		
U1	n/a	High Power WLAN 5GHz FEM	Qorvo	TQF7059
C1, C5	2.2 uF	Capacitor, Chip, 0402, 5%	various	
C2, C3, C4	0.1 uF	Capacitor, Chip, 0201, 5%	various	

Evaluation Board PCB Information



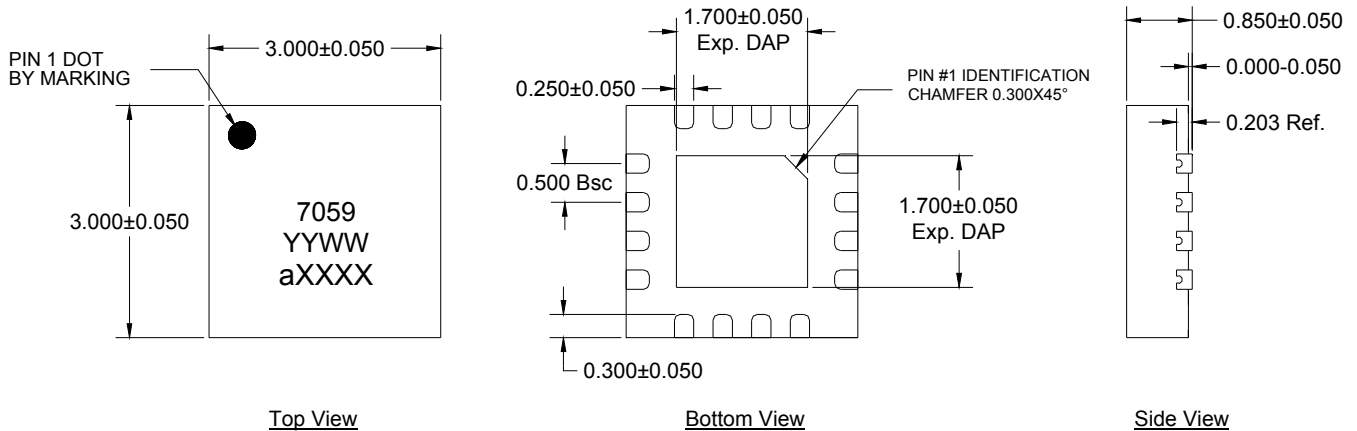
Pin Configuration and Description



Pad No.	Label	Description
1	GND	Ground
2	Rx	Rx output, DC blocked RF I/O
3	GND	No internal connection. Recommended grounding this pin.
4	V _{DD1}	Supply pin for LNA, Logic & Bias circuits.
5	V _{DET}	Detector output voltage for 5 GHz PA
6	PA_EN	PA Enable
7	GND	No internal connection. Recommended grounding this pin.
8	Tx	5 GHz Tx PA input, DC blocked RF I/O
9	NC	No internal connection. Recommended grounding this pin.
10	V _{DD2}	Supply pin for PA 1 st and 2 nd stage.
11	V _{DD3}	Supply pin for PA final stage.
12	GND	No internal connection. Recommended grounding this pin.
13	ANT	Antenna pin, DC blocked RF I/O
14	GND	No internal connection. Recommended grounding this pin.
15	CRX	Control pin. Refer to logic truth table on pg. 2
16	LNA_EN	LNA Enable
Backside Pad	RF/DC GND	RF/DC ground. Use recommended via pattern to minimize inductance and thermal resistance. See PCB Mounting Pattern for suggested footprint.

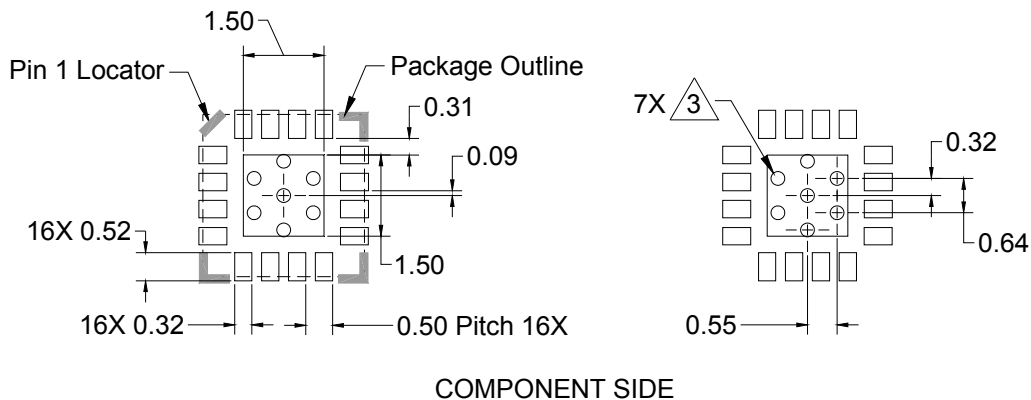
Package Marking and Dimensions

Marking: Product Identifier – “7059”
Date Code – YYWW
Lot Code – aXXXX



Notes:
1. All dimensions are in millimeters. Angles are in degrees.

PCB Mounting Pattern



Notes:

1. All dimensions are in millimeters. Angles are in degrees.
2. Use 1 oz. copper minimum for top and bottom layer metal.
3. Vias are required under the backside paddle of this device for proper RF/DC grounding and thermal dissipation. We recommend a 0.35mm (#80/.0135") diameter bit for drilling via holes and a final plated thru diameter of 0.25 mm (0.10").
4. Ensure good package backside paddle solder attach for reliable operation and best electrical performance.

Handling Precautions

Parameter	Rating	Standard
ESD – Human Body Model (HBM)	Class 1B	ESDA / JEDEC JS-001-2012
ESD – Charged Device Model (CDM)	Class C3	JEDEC JESD22-C101F
MSL – Moisture Sensitivity Level	Level 1	IPC/JEDEC J-STD-020



Caution!
ESD-Sensitive Device

Solderability

Compatible with both lead-free (260°C max. reflow temp.) and tin/lead (245°C max. reflow temp.) soldering processes. Solder profiles available upon request.

Contact plating: NiPdAu

RoHS Compliance

This part is compliant with 2011/65/EU RoHS directive (Restrictions on the Use of Certain Hazardous Substances in Electrical and Electronic Equipment) as amended by Directive 2015/863/EU.

This product also has the following attributes:

- Lead Free
- Halogen Free (Chlorine, Bromine)
- Antimony Free
- TBBP-A (C₁₅H₁₂Br₄O₂) Free
- PFOS Free
- SVHC Free



Contact Information

For the latest specifications, additional product information, worldwide sales and distribution locations:

Web: www.qorvo.com

Tel: 1-844-890-8163

Email: customer.support@qorvo.com

Important Notice

The information contained herein is believed to be reliable; however, Qorvo makes no warranties regarding the information contained herein and assumes no responsibility or liability whatsoever for the use of the information contained herein. All information contained herein is subject to change without notice. Customers should obtain and verify the latest relevant information before placing orders for Qorvo products. The information contained herein or any use of such information does not grant, explicitly or implicitly, to any party any patent rights, licenses, or any other intellectual property rights, whether with regard to such information itself or anything described by such information. **THIS INFORMATION DOES NOT CONSTITUTE A WARRANTY WITH RESPECT TO THE PRODUCTS DESCRIBED HEREIN, AND QORVO HEREBY DISCLAIMS ANY AND ALL WARRANTIES WITH RESPECT TO SUCH PRODUCTS WHETHER EXPRESS OR IMPLIED BY LAW, COURSE OF DEALING, COURSE OF PERFORMANCE, USAGE OF TRADE OR OTHERWISE, INCLUDING THE IMPLIED WARRANTIES OF MERCHANTABILITY AND FITNESS FOR A PARTICULAR PURPOSE.**

Without limiting the generality of the foregoing, Qorvo products are not warranted or authorized for use as critical components in medical, life-saving, or life-sustaining applications, or other applications where a failure would reasonably be expected to cause severe personal injury or death.

Copyright 2016 © Qorvo, Inc. | Qorvo is a registered trademark of Qorvo, Inc.

Данный компонент на территории Российской Федерации

Вы можете приобрести в компании MosChip.

Для оперативного оформления запроса Вам необходимо перейти по данной ссылке:

<http://moschip.ru/get-element>

Вы можете разместить у нас заказ для любого Вашего проекта, будь то серийное производство или разработка единичного прибора.

В нашем ассортименте представлены ведущие мировые производители активных и пассивных электронных компонентов.

Нашей специализацией является поставка электронной компонентной базы двойного назначения, продукции таких производителей как XILINX, Intel (ex.ALTERA), Vicor, Microchip, Texas Instruments, Analog Devices, Mini-Circuits, Amphenol, Glenair.

Сотрудничество с глобальными дистрибьюторами электронных компонентов, предоставляет возможность заказывать и получать с международных складов практически любой перечень компонентов в оптимальные для Вас сроки.

На всех этапах разработки и производства наши партнеры могут получить квалифицированную поддержку опытных инженеров.

Система менеджмента качества компании отвечает требованиям в соответствии с ГОСТ Р ИСО 9001, ГОСТ РВ 0015-002 и ЭС РД 009

Офис по работе с юридическими лицами:

105318, г.Москва, ул.Щербаковская д.3, офис 1107, 1118, ДЦ «Щербаковский»

Телефон: +7 495 668-12-70 (многоканальный)

Факс: +7 495 668-12-70 (доб.304)

E-mail: info@moschip.ru

Skype отдела продаж:

moschip.ru

moschip.ru_4

moschip.ru_6

moschip.ru_9