

Enclosures and cable glands

Catalogue 2013/2014

Let's connect.

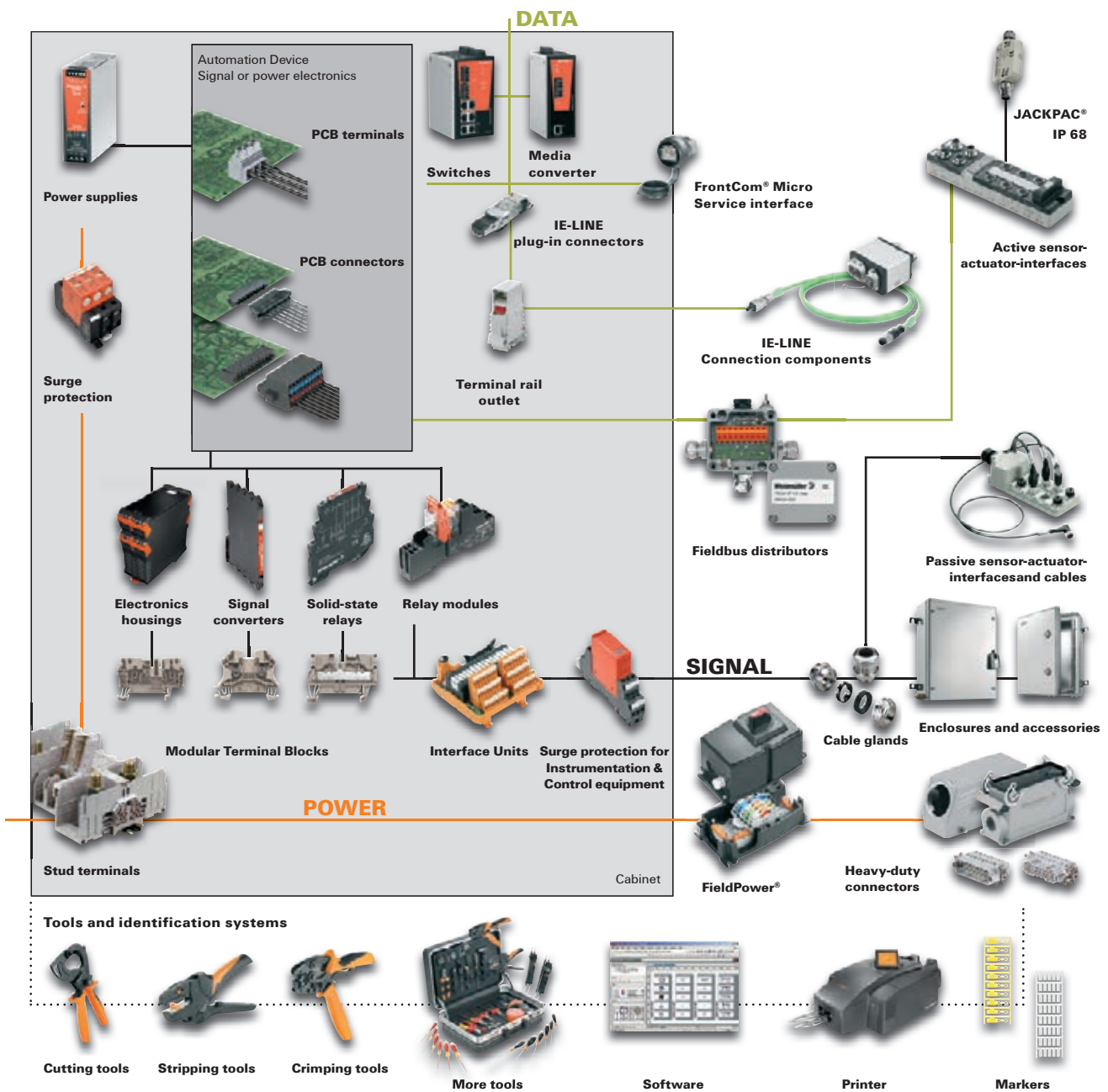
Klippon® - enclosure system



Weidmüller 

The World of Industrial Connectivity

As experienced experts we support our customers and partners around the world with products, solutions and services in the industrial environment of power, signal and data. Immerse yourself in our world of Industrial Connectivity. Let's connect.



Dear Customers,

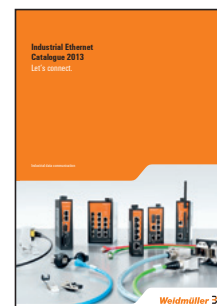
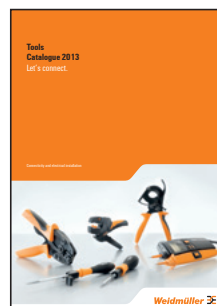
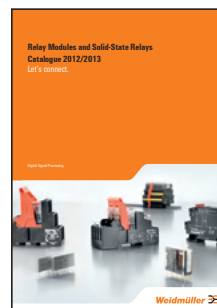
The PDF versions of our catalogues offer practical additional functions, helping you to find your way around our product range and simplifying the ordering process.

In addition to the catalogue, the PDF also contains:

- Internal page links
- Links to the online catalogue

Try it out for yourself. Click the order number to obtain more detailed information and close-up images via you web browser. The links in the PDF file also enable you to go directly to the next desired catalogue page.

Further Weidmüller product catalogues can be accessed by clicking the following:



Enclosures and Cable Glands

Catalogue 5

Enclosures and Cable Glands

Introduction

Enclosures

Cable entries

Cable entry system

Tools

Contents

A

B

C

D

E

Appendix

Weidmüller Solutions & Service

Technical appendix

Index

Search according to type or order number,
Addresses worldwide

V

W

X

Enclosures and Cable Glands

Enclosure overview, introduction
Page B.2



Klippon® TB MH
Page B.15



Klippon® TB QL
Page B.41



Klippon® TB FS
Page B.67



Klippon® TBi QL
Page B.93



Klippon® TBi FS
Page B.107



Klippon® STB
Page B.120



Klippon® K
Page B.130



Klippon® POK
Page B.166



TBF Range
Page B.194



MPC Range
Page B.202



FPC Range
Page B.209



Standard cable glands - Plastic

Page C.6



Standard cable glands - Brass

Page C.9



Cable glands for HDC RockStar®

Page C.14



EMC cable glands

Page C.15



Cable glands - stainless steel

Page C.17



Klippon® cable glands 

Page C.30



Accessories - Lock nuts

Page C.46



Accessories - IP washer

Page C.51



Accessories - Shrouds

Page C.57



Sealing plugs

Page C.60



Adaptors

Page C.67



Compensating elements

Page C.69



Enclosures and Cable Glands

Cable entry system - Cabtite
Page D.2



Tools
Page E.2



Enclosures and Cable Glands

Enclosures and Cable Glands

Introduction

A.2

Klippon® – Proven over the years

The Klippon® brand has long stood for competence and quality in enclosures – in particular for industrial standard applications and for applications in explosive and harsh environments. Klippon® is a trademark of the Weidmüller Group, which operates worldwide in 70 countries through its sales offices, production facilities and sales agencies.

Weidmüller had already started producing enclosures in the 1960s. Weidmüller has demonstrated its reputation as a competent and reliable partner innumerable times. Weidmüller's name has stood for innovative products that can cope with even the most demanding market needs since then.

Weidmüller meets these requirements with a range of steel enclosures from the Klippon® TB range, available in Multi-Hinge (MH), Quarter-Lock (QL) and Fixing-Screw (FS) versions, and from the new Klippon® TBi range, available in Quarter-Lock (QL) and Fixing-Screw (FS) versions, as well as the Klippon® STB range and the aluminium enclosures

of the Klippon® K range. The portfolio is complimented by the polyester enclosures of the Klippon® POK range and polycarbonate enclosures. In addition, a wide range of different accessories are available including cable glands, sealing plugs, adaptors, pressure compensation elements, etc. Regardless of the application being designed, Weidmüller offers many customised enclosure and individually tailored services to its customers. These include turnkey enclosure solutions with customer specific configurations (such as mounting rails, drilled holes, cable glands, cut-outs, special coatings, etc.).

Additional information can be found in Section W – Technical Appendix.



Harmonisation – the key to market success!

Weidmüller's products and services meet not only its own internal high standards, but also international quality and safety standards. The Klippon® TB enclosure range is one of the first products to be approved and certified as being compliant with IEC /EN 60079. This range of standards provides a harmonised approach to the development and manufacture of equipment for use in potentially explosive atmospheres.

Weidmüller enclosures are specially tailored to meet the ever changing and extremely harsh environments of these industries. Certified in accordance with international standards, they also meet the new ATEX and IECEx regulations for potentially explosive atmospheres and have further certifications for use in standard industrial applications. You can find innovative solutions from Weidmüller everywhere; from power distribution or control and monitoring systems in boiler and turbine control systems, in fuel management and combustion control systems, or in transmission and distribution applications.

Experts in EX for application-specific solutions

Weidmüller's Customer-specific Solutions division offers application-specific EX solutions. Our competent team is here to take care of each individual customer requirement.

Special measures must be taken to guarantee employee health and safety in explosive hazard areas. This is regulated by the ATEX European Community directives 1999/92/EC and 94/9/EC, which classify the various areas of danger and associated selection of explosion-protected equipment into zones.

Weidmüller's customer-specific production is monitored by a notified body in accordance with European regulations. It meets all the requirements of the IECEx scheme for equipment based on the standards of the International Electrotechnical Commission.

More on this can be found in chapter W - Technical Appendix.



When quality is the key

A Weidmüller's enclosures are often used in harsh environments. They remain reliable for many years thanks to the high quality levels, even when exposed to external influences like water, dust, hard impacts, shock, vibration, corrosion, and extreme temperature fluctuations.

All components used in potentially explosive atmospheres are subject to strict safety regulations and are checked to the finest detail in terms of their functionality as well as their resistance and resilience against the prevailing environmental conditions.

As each enclosure is only as strong as its weakest point, Weidmüller consistently ensures that each individual component is of the highest quality and that it will not therefore cause a weak point in the enclosure. Evidence of this high quality and the functionality of the enclosure is provided by our own laboratory following intensive and careful testing to the international standards.



IP protection class testing

The most important function of an enclosure is to protect the internal components from external influences like moisture or dust.

Enclosures are therefore classified in terms of IP (Ingress Protection) protection classes. To certify this, the enclosures are tested in line with DIN EN 60529 in an accredited Weidmüller laboratory.

Further tests are carried out in our accredited laboratory:

- Impact resistance testing (IK number)
- Shock and vibration test
- Salt spray test (proof of corrosion resistance)
- Long-term testing in accordance with IECEx
 - Heat resistance
 - Cold resistance
- Computer tomography (CT)

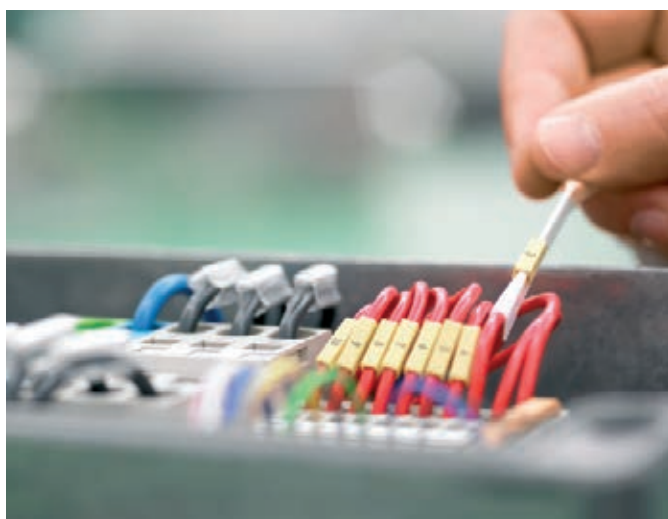
Application specific solutions – your requirements are our motivation

Each branch has its own specific requirements and increasingly need individual solutions in addition to our standard product range. Many applications are subject to high levels of mechanical stress, for example due to vibrations or direct forces. Extreme temperature conditions or use in potentially explosive atmospheres are additional factors which the enclosure must be designed to cope with. Weidmüller provides competent and goal-oriented support to assist in the choice of the optimum product for every application.

Be it individual product development, customer specific assembly or ready-made application-specific products, Weidmüller helps to optimise work sequences with the perfect product solution. This ensures cost effectiveness for our customers not just today, but also enduring into the future.



Customer-specific assembly



Product consulting, development and manufacture – all from a single source

Weidmüller is a reliable partner; we tailor-make individual enclosure solutions intelligently which meet the needs of our customers. Customer costs are reduced, efficiency increased and the customer can concentrate fully on their core business. Weidmüller has the application knowledge and the capacity to provide these tailor-made solutions quickly, flexibly and economically. Weidmüller forms a partnership with its customers, providing advice and always being on-hand to deal with any questions. When it comes to designing the task, we do so together. In the larger process, Weidmüller can choose from its wide product range to provide the ideal components to allow the appropriate solution to be set up.

Highest level manufacturing expertise

A Weidmüller is globally known for its high quality enclosures. To guarantee these high quality standards only the highest quality materials were used for the production of the new Klippon® TB range. Their production was done using state of the art techniques.

High quality Klippon® TB enclosures are manufactured in nine steps:

- Fully automated laser cutting
- Computer-aided bending
- Process-safe welding
- Innovative welding of the female threaded sockets
- Surface treatment (electropolishing)
- Sealing gasket cutting
- Final assembly
- In-process quality controls
- Innovative packaging

More information online at:
www.klippontb.com



Enclosures

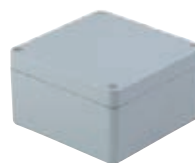
Enclosures	Introduction	B.2
	Klippon® TB MH - Multi Hinge - Steel enclosures	B.12
	Klippon® TB QL - Quarter Lock - Steel enclosures	B.38
	Klippon® TB FS - Fixing Screw - Steel enclosures	B.64
	Klippon® TBi QL - Quarter Lock - Steel enclosures	B.90
	Klippon® TBi FS - Fixing Screw - Steel enclosures	B.104
	Klippon® STB - Steel - enclosures	B.118
	Klippon® K - Aluminium enclosures	B.128
	Klippon® K - Distribution boxes Aluminium	B.150
	Klippon® POK - Polyester enclosures	B.164
	Klippon® POK - Distribution boxes Polyester	B.184
	TBF - Polyester enclosures	B.192
	MPC - Polycarbonate enclosures	B.200
	FPC - Polycarbonate enclosures	B.208

Metal enclosures



	Klippon® TB MH 	Klippon® TB QL 	Klippon® TB FS 	Klippon® TBi QL
Material	Stainless steel	Stainless steel	Stainless steel	Stainless steel
Material Specification	Stainless steel 1.4404 (316L) 1.50 mm	Stainless steel 1.4404 (316L), enclosure 1.50 mm	Stainless steel 1.4404 (316L), enclosure 1.50 mm	Stainless steel 1.4301 (304), enclosure 1.50 mm
Sea water resistance	very good	very good	very good	very good
UV resistance	very good	very good	very good	very good
Halogen free / cadmium free	x / x	x / x	x / x	x / x
Surface finish	electropolished	electropolished	electropolished	electropolished
Intended use	Explosive hazard areas, offshore, oil and gas industry, chemical industry, process industry	Explosive hazard areas, offshore, oil and gas industry, chemical industry, process industry	Explosive hazard areas, offshore, oil and gas industry, chemical industry, process industry	Machine construction, transport, power
Dimensions				
L x W x H (min.) in mm	229x152x133	229x152x133	229x152x133	300x200x150
L x W x H (max.) in mm	987x740x200	987x740x200	987x740x200	800x600x220
Geometry	3 standard depths	3 standard depths	3 standard depths	2 standard depths
Specific characteristics				
Gland plates	0,1,2,3,4	0,1,2,3,4	0,1,2,3,4	0,1
Type of gasket	Flat gasket	Flat gasket	Flat gasket	Flat gasket
Seal material	Silicone	Silicone	Silicone	Neoprene
Enclosure attachment	4 mounting feet with 11 mm hole size	4 mounting feet with 11 mm hole size	4 mounting feet with 11 mm hole size	Direct mounting (11 mm mounting holes on rear wall) or via mounting feet (optionally available) Welded mounting bracket
Installation mounting	4 or 6 mounting bolts with M6 threaded holes	4 or 6 mounting bolts with M6 threaded holes	4 or 6 mounting bolts with M6 threaded holes	
Temperature range	-60 °C...+135 °C	-60 °C...+135 °C	-60 °C...+135 °C	-40 °C...+85 °C
Impact resistance	10 J Industrial applications 7 J ATEX applications	10 J Industrial applications 7 J ATEX applications	10 J Industrial applications 7 J ATEX applications	10 J Industrial applications
IP - protection class	IP 66, IP 67 /	IP 66 /	IP 66, IP 67 /	IP 66 /
NEMA protection class	Nema 3, Nema 4x, Nema 12	Nema 3, Nema 4x, Nema 12	Nema 3, Nema 4x, Nema 12	Nema 3, Nema 4x, Nema 5
Flammability rating				
Surface resistance (in ohms)				
Approvals				
ATEX	x	x	x	
EN 60079-7 Increased safety	x	x	x	
EN 60079-11 Intrinsic safety	x	x	x	
EN 60079-31 Dust ignition protection	x	x	x	
IEC Ex	x	x	x	
IEC60079-7 Increased safety	x	x	x	
IEC60079-11 Intrinsic safety	x	x	x	
EN 60079-31 Dust ignition protection	x	x	x	
RMR / LR / GL	x / - / x	x / - / x	x / - / x	- / - / x
GOST Ex	x	x	x	
cULus	x	x	x	x
CCOE / INMETRO	x / *	- / *	x / *	
AEX	*	*	*	
Configuration	Lid hinges Removable lid Gland plates Welded mounting feet Fitting for a padlock	Lid hinges Gland plates Welded mounting feet Quarter lock	Removable lid Gland plates Welded mounting feet	Lid hinges Gland plates Direct mounting, Optional mounting feet Quarter lock

* Approvals are pending



	Klippon® TBi FS	Klippon® STB		Klippon® K	
Material	Stainless steel	Stainless steel	Sheet steel	Aluminium	
Material Specification	Stainless steel 1.4301 (304), enclosure 1.50 mm	Stainless steel 1.4404 (316L) 1.50 mm	Powder-coated steel sheet 1.0330	High quality aluminium alloy (Al-Si12)	
Sea water resistance	very good	very good	good	good	
UV resistance	very good	very good	insufficient	very good	
Halogen free / cadmium free	x / x	x / x	x / x	x / x	
Surface finish	electropolished	electropolished, Mirror-polish	powder-coated	neutral, powder-coated	
Intended use	Machine construction, transport, power	Ex areas, packing industry, railways, shipping, process industry	Packing industry, railways, shipping, process industry	Ex-areas, process industry, transport, railways, shipping, port facilities, packaging, mechanical engineering	
Dimensions					
L x W x H (min.) in mm	300x200x150	120x120x80		50x45x30	
L x W x H (max) in mm	800x600x220	250x400x130		230x280x111	
Geometry	2 standard depths	5 standard depths		11 standard depths	
Specific characteristics		Ex-version	Industrial version	Ex-version	Industrial version
Gland plates	0,1	none	none	none	none
Type of gasket	Flat gasket	Flat gasket	Flat gasket	Shaped gasket	Shaped gasket
Seal material	Neoprene	Silicone	Silicone	Silicone	Chloroprene, Silicone
Enclosure attachment	Direct mounting (11 mm mounting holes on rear wall) or via mounting feet (optionally available)	External holders with 8 mm holes	External holders with 8 mm holes	4 holes for M4 to M6 screws	4 holes for M4 to M6 screws
Installation mounting	Welded mounting bracket	20 mm C-rail welded to the enclosure	20 mm C-rail welded to the enclosure	M4 to M6 threaded holes	M4 to M6 threaded holes
Temperature range	-40 °C...+85 °C	-60 °C...100 °C	-60 °C...120 °C	-50 °C...135 °C	-40 °C...+80 °C (CR); 50 °C...+135 °C (VMQ)
Impact resistance	10 J Industrial applications	7 J	10 J	7 J	10 J
IP - protection class	IP 66 /	IP 66	IP 66	IP 66, IP 67 /	IP 66, IP 67, IP 68 /
NEMA protection class	Nema 3, Nema 4x, Nema 5			Nema 4x	Nema 4x
Flammability rating					
Surface resistance (in ohms)					
Approvals					
ATEX		x		x	
EN 60079-7 Increased safety		x		x	
EN 60079-11 Intrinsic safety		x		x	
EN 60079-31 Dust ignition protection		x		x	
IEC Ex		x		x	
IEC60079-7 Increased safety		x		x	
IEC60079-11 Intrinsic safety		x		x	
EN 60079-31 Dust ignition protection		x		x	
RMR / LR / GL	- / - / x	- / x / x	- / x / -	x / - / x	x / - / x
GOST Ex		x		x	
cULus	x	x			x
CCOE / INMETRO		- / *			
AEX		*			
Configuration					
	Removable lid Gland plates Direct mounting, Optional mounting feet	TAS 20 C-profile rail Welded mounting feet Earth studs in enclosure lid and base		Internal earthing screw in the enclosure base an external earth stud	internal earthing screw in the enclosure base

* Approvals are pending

Plastic enclosures









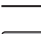



	Klippon® POK		TBF	MPC	FPC
Material	Polyester		Polyester	Polycarbonate	Polycarbonate
Material Specification	Glass-fibre reinforced polyester in accordance with DIN 16913		Glass-fibre reinforced polyester, polycarbonate transparent cover		
Sea water resistance	very good		very good	very good	very good
UV resistance	good		good	good	good
Halogen free / cadmium free	x / x		x / x	x / x	x / x
Surface finish	Grey (industrial version), Black (Ex version)		grey	grey	grey
Intended use	Ex-areas, energy production, transportation, process industries, port facilities		Building installation, transportation, energy production, building sites, manufacturing industry, packaging industry	Building installation, transportation, energy production, building sites, manufacturing industry, packaging industry	Building installation, transportation, energy production, building sites, manufacturing industry, packaging industry
Dimensions					
L x W x H (min.) in mm	75x80x55		186x151x139	125x75x75	200x200x130
L x W x H (min.) in mm	250x400x160		603x603x175/210	250x175x150	600x400x130
Geometry	6 standard depths		3 standard depths	4 standard depths	1 standard depth
Specific characteristics	Ex version (Black)	Industrial version (grey)			
Gland plates	none	none	none	none	none
Type of gasket	Sealing	Sealing	O-ring	Foam seal	Foam seal
Seal material	Silicone	Chloroprene	Polyurethane	Polyurethane	Polyurethane
Enclosure attachment	4 holes for M4 to M6 screws	4 holes for M4 to M6 screws	4 holes or external mounting brackets (accessory)	4 holes or external mounting brackets (accessory)	4 holes or external mounting brackets (accessory)
Installation mounting	M4 to M6 threaded holes	M4 to M6 threaded holes	4 or 6 clamping screws M4	Self-tapping screws	Self-tapping screws
Temperature range	-55 °C...+100 °C	-40 °C...+100 °C	-50 °C...+150 °C (grey); -50 °C...+130 °C (transparent)	-50 °C...+130 °C	-50 °C...+130 °C
Impact resistance	7 J	7 J	4 J (grey lid) 7 J (transparent lid)	7J	7J
IP - protection class	IP 66	IP 66	IP 66 (transparent lid) IP 67 (grey lid)	IP 66, IP 67	IP 66, IP 67
Flammability rating	UL94 V0	UL94 V0	UL94 HB (grey), V2 (transparent)	V2	V2
Surface resistance (in ohms)	<10 ⁹	10 ¹²	10 ¹²	10 ¹⁶	10 ¹⁶
Approvals					
ATEX	x				
EN 60079-7 Increased safety	x				
EN 60079-11 Intrinsic safety	x				
EN 60079-31 Dust ignition protection	x				
IEC Ex					
IEC60079-7 Increased safety					
IEC60079-11 Intrinsic safety					
EN 60079-31 Dust ignition protection					
RMR / LR / GL	x / - / -	x / x / -			
GOST Ex	x				
cULus		x			
CCOE / INMETRO					
AEX					
Configuration	Fastening screws for the mounting plate		grey or transparent lid	grey or transparent lid	grey or transparent lid

* Approvals are pending

Overview of dimensions

Klippon® TB MH – Multi Hinge / Klippon® TB QL – Quarter Lock / Klippon® TB FS – Fixing Screw



		Dimensions in mm Height x width x depth	Weight [g]			
			1 Gland plate	2 Gland plates	3 Gland plates	4 Gland plates
	Klippon® TB MH	229 x 152 x 133	3060	3360	3740	4060
	Klippon® TB QL		3060	3360	3740	4060
	Klippon® TB FS		3754	2988	3429	3816
	Klippon® TB MH	260 x 260 x 150	4840	5510	5780	6680
	Klippon® TB QL		4840	5510	5780	6680
	Klippon® TB FS		4320	4959	5148	6012
	Klippon® TB MH	260 x 260 x 200	5620	6400	6840	8200
	Klippon® TB QL		5620	6400	6840	8200
	Klippon® TB FS		4950	5760	6570	7380
	Klippon® TB MH	306 x 306 x 150	5960	6580	7060	7660
	Klippon® TB QL		5960	6580	7060	7660
	Klippon® TB FS		4860	5670	6300	6930
	Klippon® TB MH	306 x 306 x 200	6800	7720	8320	9180
	Klippon® TB QL		6800	7720	8320	9180
	Klippon® TB FS		6120	6570	7470	8379
	Klippon® TB MH	350 x 260 x 150	5780	6700	7600	9700
	Klippon® TB QL		5780	6700	7600	9700
	Klippon® TB FS		5400	6030	6840	8730
	Klippon® TB MH	350 x 260 x 200	6700	7700	8380	10100
	Klippon® TB QL		6700	7700	8380	10100
	Klippon® TB FS		6030	6930	8010	9090
	Klippon® TB MH	400 x 300 x 150	7200	8300	8380	11100
	Klippon® TB QL		7200	8300	8380	11100
	Klippon® TB FS		6480	7470	8730	9990
	Klippon® TB MH	400 x 300 x 200	7900	9200	10400	11300
	Klippon® TB QL		7900	9200	10400	11300
	Klippon® TB FS		7290	8280	9360	10170
	Klippon® TB MH	458 x 382 x 150	9000	9900	10700	12700
	Klippon® TB QL		9000	9900	10700	12700
	Klippon® TB FS		7650	8910	10170	11430
	Klippon® TB MH	458 x 382 x 200	10240	10830	12500	14110
	Klippon® TB QL		10240	10830	12500	14110
	Klippon® TB FS		8460	9747	11250	12699
	Klippon® TB MH	480 x 480 x 150	11900	13800	15200	17600
	Klippon® TB QL		11900	13800	15200	17600
	Klippon® TB FS		10710	12420	13680	15840
	Klippon® TB MH	480 x 480 x 200	12420	15900	17700	16080
	Klippon® TB QL		12420	15900	17700	16080
	Klippon® TB FS		12600	14310	15930	17550
	Klippon® TB MH	550 x 350 x 150	8500	9500	10800	12100
	Klippon® TB QL		8500	9500	10800	12100
	Klippon® TB FS		7650	8550	9720	10890
	Klippon® TB MH	550 x 350 x 200	11060	11500	13800	14720
	Klippon® TB QL		11060	11500	13800	14720
	Klippon® TB FS		9090	10350	12150	13950
	Klippon® TB MH	620 x 450 x 150	12800	14100	15600	17100
	Klippon® TB QL		12800	14100	15600	17100
	Klippon® TB FS		11520	12690	14040	15390
	Klippon® TB MH	620 x 450 x 200	14240	15830	17360	20350
	Klippon® TB QL		14240	15830	17360	20350
	Klippon® TB FS		12654	14247	16281	18315
	Klippon® TB MH	762 x 508 x 150	17100	18600	19700	20800
	Klippon® TB QL		17100	18600	19700	20800
	Klippon® TB FS		15390	16740	17730	18720
	Klippon® TB MH	762 x 508 x 200	18120	19800	21200	22700
	Klippon® TB QL		18120	19800	21200	22700
	Klippon® TB FS		16020	17820	19080	20430

Note

Additional enclosure sizes available on request. The weights given are net weights. Enclosures without gland plates are available on request.

Klippon® TB MH – Multi Hinge / Klippon® TB QL – Quarter Lock / Klippon® TB FS – Fixing Screw





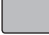
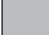
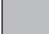


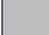
Page B.12

		Dimensions in mm Height x width x depth	Weight [g]			
			1 Gland plate	2 Gland plates	3 Gland plates	4 Gland plates
	Klippon® TB MH	914 x 610 x 150	20700	22200	24100	26000
	Klippon® TB QL		20700	22200	24100	26000
	Klippon® TB FS		18630	19980	21690	23400
	Klippon® TB MH	914 x 610 x 200	23840	24600	26400	28200
	Klippon® TB QL		23840	24600	26400	28200
	Klippon® TB FS		19890	22140	23760	25380
	Klippon® TB MH	980 x 740 x 200	34800	36300	36100	39900
	Klippon® TB QL		34800	36300	36100	39900
	Klippon® TB FS		31320	32670	34200	35910

Note Additional enclosure sizes available on request. The weights given are net weights. Enclosures without gland plates are available on request.

Klippon® TBi FS - Fixing Screw / Klippon® TBi QL - Quarter Lock

Page B.12








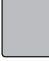
		Dimensions in mm Height x width x depth	Weight [g]	
			0 Gland plates	1 Gland plate
	Klippon® TBi QL	300 x 200 x 150	3871.1	3432.1
	Klippon® TBi FS		4454	5220
	Klippon® TBi QL	300 x 300 x 150	4768.1	6700
	Klippon® TBi FS		5719.6	5493.9
	Klippon® TBi QL		5768.7	5320.7
	Klippon® TBi FS	300 x 300 x 220	7451.8	7036.8
	Klippon® TBi QL		5943.9	6503.9
	Klippon® TBi FS		6980	6754.3
	Klippon® TBi QL	400 x 300 x 150	7111.5	6655.5
	Klippon® TBi FS		8927.1	8519.4
	Klippon® TBi QL		8696.5	8072.5
	Klippon® TBi FS	400 x 300 x 220	10653.6	10085.7
	Klippon® TBi QL			
	Klippon® TBi FS			
	Klippon® TBi QL	500 x 400 x 220	10279.3	9647.3
	Klippon® TBi FS		12482.9	11915.1
	Klippon® TBi QL	500 x 500 x 220	12920.3	11264.3
	Klippon® TBi FS		14571.8	13829.2
	Klippon® TBi QL	600 x 400 x 220	11872.1	11240.1
	Klippon® TBi FS		14239.5	13664.4
	Klippon® TBi QL	600 x 600 x 220	15992.1	
	Klippon® TBi FS		18842.4	17947
	Klippon® TBi QL	800 x 600 x 200	20127.7	19143.7
	Klippon® TBi FS		23349.7	22440

Note Additional enclosure sizes available on request. The weights given are net weights. Enclosures without gland plates are available on request.

Overview of dimensions

Klippon® STB







Page B.118

		Dimensions in mm Height x width x depth	Weight [g]
	1.4404 (316L), mirror polished	120 x 120 x 80	1250
	1.4404 (316L), electropolished		1220
	MS RAL 7032		1277
	1.4404 (316L), mirror polished	150 x 120 x 80	1451
	1.4404 (316L), electropolished		1380
	MS RAL 7032		1380
	1.4404 (316L), mirror polished	150 x 150 x 90	1708
	1.4404 (316L), electropolished		1734
	MS RAL 7032		1765
	1.4404 (316L), mirror polished	190 x 150 x 90	2006
	1.4404 (316L), electropolished		2080
	MS RAL 7032		2081
	1.4404 (316L), mirror polished	190 x 190 x 100	2433
	1.4404 (316L), electropolished		2407
	MS RAL 7032		2468
	1.4404 (316L), mirror polished	250 x 250 x 120	3912
	1.4404 (316L), electropolished		3850
	MS RAL 7032		4013
	1.4404 (316L), mirror polished	160 x 380 x 120	3961
	1.4404 (316L), electropolished		3960
	MS RAL 7032		3974
	1.4404 (316L), mirror polished	250 x 400 x 130	5714
	1.4404 (316L), electropolished		5700
	MS RAL 7032		5859

The weights given are net weights. MS: Mild steel, Stainless steel 1.4404 (316L).

Klippon® K






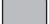
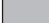
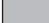
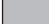
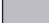
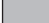
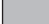
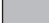
Page B.128

		Dimensions in mm Height x width x depth	Weight [g]
	unpainted Ex (S)	45 x 50 x 30	89
	unpainted (CR)		78.4
	RAL 7001 (CR)		79.2
	RAL 7001 (S)		83.6
	unpainted Ex (S)	64 x 58 x 34	184
	unpainted (CR)		148.1
	RAL 7001 (CR)		153.6
	RAL 7001 (S)		149.4
	unpainted Ex (S)	64 x 98 x 34	254
	unpainted (CR)		207
	RAL 7001 (CR)		211.2
	RAL 7001 (S)		217
	unpainted Ex (S)	70 x 70 x 45	272
	unpainted (CR)		247.5
	RAL 7001 (CR)		251.5
	RAL 7001 (S)		255.9
	unpainted Ex (S)	80 x 75 x 57	328
	unpainted (CR)		318
	RAL 7001 (CR)		322
	RAL 7001 (S)		319.6
	unpainted Ex (S)	70 x 100 x 45	319
	unpainted (CR)		314.4
	RAL 7001 (CR)		309.9
	RAL 7001 (S)		316

The weights given are net weights.

Klippon® K








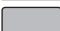




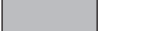

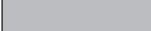
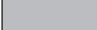

Page B.128

		Dimensions in mm Height x width x depth	Weight [g]
	unpainted Ex (S)	80 x 125 x 57	472
	unpainted (CR)		446
	RAL 7001 (CR)		466
	RAL 7001 (S)		471
	unpainted Ex (S)	70 x 165 x 45	500
	unpainted (CR)		454.6
	RAL 7001 (CR)		452
	RAL 7001 (S)		469.2
	unpainted Ex (S)	80 x 175 x 57	600
	unpainted (CR)		569.6
	RAL 7001 (CR)		576.6
	RAL 7001 (S)		583.2
	unpainted Ex (S)	80 x 250 x 55	874
	unpainted (CR)		784
	RAL 7001 (CR)		794
	RAL 7001 (S)		752.8
	unpainted Ex (S)	82 x 130 x 72	663
	unpainted (CR)		633
	RAL 7001 (CR)		644
	RAL 7001 (S)		669
	unpainted Ex (S)	120 x 122 x 81	986
	unpainted (CR)		935
	RAL 7001 (CR)		955
	RAL 7001 (S)		938
	unpainted Ex (S)	130 x 170 x 90	1432
	unpainted (CR)		1386
	RAL 7001 (CR)		1420
	RAL 7001 (S)		1616
	unpainted Ex (S)	120 x 220 x 81	1428
	unpainted (CR)		1423
	RAL 7001 (CR)		1399
	RAL 7001 (S)		1411
	unpainted Ex (S)	160 x 160 x 91	1699
	unpainted (CR)		1676
	RAL 7001 (CR)		1613
	RAL 7001 (S)		1616
	unpainted Ex (S)	160 x 200 x 100	1872
	unpainted (CR)		1800
	RAL 7001 (CR)		1820
	RAL 7001 (S)		2080
	unpainted Ex (S)	160 x 260 x 91	2249
	unpainted (CR)		2160
	RAL 7001 (CR)		2240
	RAL 7001 (S)		2150
	unpainted Ex (S)	160 x 350 x 100	2863
	unpainted (CR)		2828
	RAL 7001 (CR)		3116
	RAL 7001 (S)		3094
	unpainted Ex (S)	230 x 280 x 111	3420
	unpainted (CR)		3377
	RAL 7001 (CR)		3395
	RAL 7001 (S)		3274

The weights given are net weights.

Klippon® POK








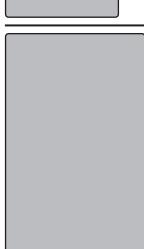
Page B.164

		Dimensions in mm Height x width x depth	Weight [g]
	RAL 7001	75 x 80 x 56	273
	RAL 9011		289
	RAL 7001	75 x 110 x 55	345
	RAL 9011		350
	RAL 7001	75 x 160 x 55	450
	RAL 9011		461
	RAL 7001	75 x 190 x 55	499
	RAL 9011		530
	RAL 7001	75 x 230 x 55	612
	RAL 9011		628
	RAL 7001	120 x 122 x 91	768
	RAL 9011		769
	RAL 7001	120 x 220 x 91	1094
	RAL 9011		1110
	RAL 7001	160 x 160 x 91	1302
	RAL 9011		1326
	RAL 7001	160 x 260 x 91	1771
	RAL 9011		1767
	RAL 7001	160 x 360 x 91	2210
	RAL 9011		2291
	RAL 7001	160 x 560 x 91	3327
	RAL 9011		3320
	RAL 7001	250 x 255 x 121	2817
	RAL 9011		2841
	RAL 7001	250 x 400 x 121	3693
	RAL 9011		3771
	RAL 7001	250 x 600 x 121	5420
	RAL 9011		5580
	RAL 7001	405 x 400 x 121	5740
	RAL 9011		5580
	RAL 7001	250 x 255 x 161	3458
	RAL 9011		3600
	RAL 7001	250 x 400 x 161	4390
	RAL 9011		4408

The weights given are net weights.

TBF

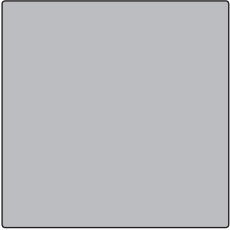
Page B.192

		Dimensions in mm Height x width x depth	Weight [g]
	grey lid (RAL7035)	186 x 151 x 140	1061
	transparent lid		810
	grey lid (RAL7035)	302 x 186 x 175	1857
	transparent lid		1520
	grey lid (RAL7035)	302 x 302 x 175	2420
	transparent lid		2000
	grey lid (RAL7035)	372 x 302 x 175	2829
	transparent lid		2465
	grey lid (RAL7035)	488 x 302 x 175 488 x 302 x 210	3688
	transparent lid		3220
	grey lid (RAL7035)	558 x 302 x 175 558 x 302 x 210	4420
	transparent lid		3660
	grey lid (RAL7035)	603 x 302 x 175 603 x 302 x 210	4900
	transparent lid		3900
	grey lid (RAL7035)	603 x 372 x 175 603 x 372 x 210	5000
	transparent lid		5000



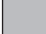
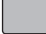


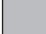
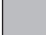
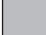
The weights given are net weights.

Overview of dimensions


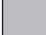
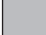
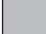
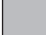
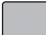
TBF Page B.192

		Dimensions in mm Height x width x depth	Weight [g]
	grey lid (RAL7035)	603 x 605 x 175	7220
	transparent lid	603 x 605 x 210	7480

MPC Page B.200

		Dimensions in mm Height x width x depth	Weight [g]
	grey lid (RAL7035) transparent lid	125 x 75 x 75	214
	grey lid (RAL7035) transparent lid	125 x 75 x 125	306 304
	grey lid (RAL7035) transparent lid	125 x 125 x 75	295 294
	grey lid (RAL7035) transparent lid	175 x 125 x 75	373 368
	grey lid (RAL7035) transparent lid	175 x 125 x 100	464 448
	grey lid (RAL7035) transparent lid	175 x 125 x 125	523 525
	grey lid (RAL7035) transparent lid	175 x 175 x 75	489 491
	grey lid (RAL7035) transparent lid	175 x 175 x 150	184 731
	grey lid (RAL7035) transparent lid	250 x 175 x 100	760 753

FPC Page B.208

		Dimensions in mm Height x width x depth	Weight [g]
	grey lid (RAL7035) transparent lid	200 x 200 x 132	1230 1260
	grey lid (RAL7035) transparent lid	200 x 300 x 132	1616 1589
	grey lid (RAL7035) transparent lid	200 x 400 x 132	2000 1984
	grey lid (RAL7035) transparent lid	300 x 300 x 132	2097 2103
	grey lid (RAL7035) transparent lid	300 x 400 x 132	2624 2620
	grey lid (RAL7035) transparent lid	400 x 600 x 132	3964 4500

The weights given are net weights.

The weights given are net weights.

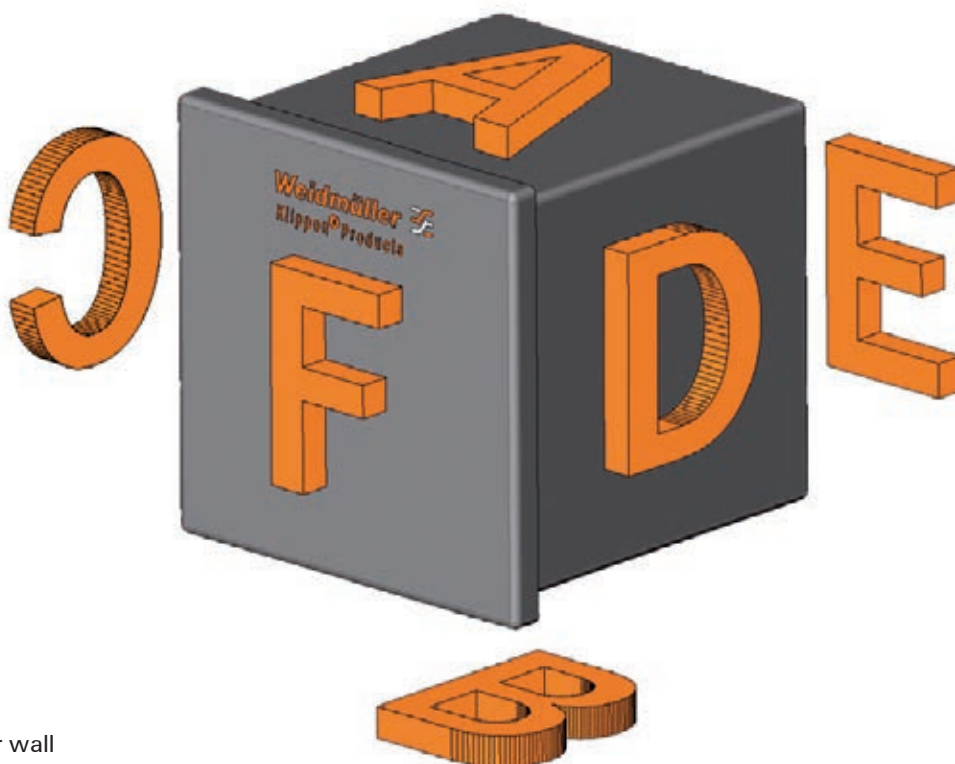
Drawing design – For chapter B

The drawings contained in chapter B are constructed in the following way.

To identify the enclosure side views, these are marked with the letters A, B, C, D, E, and F. The schematic 3D representations shown underneath are of an enclosure that has been wall mounted.

- F** shows the view of the enclosure lid (front aspect),
- E** shows the interior surface of the enclosure (rear wall of the enclosure with the cover removed).
- A** shows the view of the enclosure from above and
- B** the view of the enclosure from underneath.
- C** shows the left and
- D** the right side of the enclosure.
- E** is the front view of the enclosure interior with the cover removed (enclosure rear wall).

You can find the dimensions of the enclosure sides for all enclosure sizes in each drawing.



- A** = Top
- B** = Bottom
- C** = Left
- D** = Right
- E** = Enclosure rear wall
- F** = Enclosure lid

Klippon® TB MH - Multi Hinge

Steel enclosures for use in industrial and in potentially explosive atmospheres

The Klippon® TB enclosure range features excellent performance characteristics, even under the most difficult environmental conditions, and also comply with the stricter requirements of potentially explosive atmospheres found in the process or power generation industries. The Klippon® TB MH enclosure range offers further improvements to a product line that is already successfully leading the market.

Weidmüller can manufacture and supply this enclosure to match customer specifications and fitted with all necessary terminals and cable glands.



Overview of enclosures

Ordering data

Description	Length x width x depth in mm	1 Gland Plate (below)	2 Gland Plates (above + below)	3 Gland plates (below + sides)	4 Gland plates (all sides)	Reference product
KTb MH 221513 S4E_*	229 x 152 x 133	1194560000	1194570000	1194580000	1194590000	Klippon® TB10
KTb MH 262615 S4E_*	260 x 260 x 150	1194610000	1194620000	1194630000	1194640000	Klippon® TB10A
KTb MH 262620 S4E_*	260 x 260 x 200	1194660000	1194670000	1194680000	1194690000	Klippon® TB10A
KTb MH 303015 S4E_*	306 x 306 x 150	1194710000	1194720000	1194730000	1194740000	Klippon® TB11
KTb MH 303020 S4E_*	306 x 306 x 200	1194760000	1194770000	1194780000	1194790000	Klippon® TB11
KTb MH 352615 S4E_*	350 x 260 x 150	1194810000	1194820000	1194830000	1194840000	Klippon® TB11A
KTb MH 352620 S4E_*	350 x 260 x 200	1194860000	1194870000	1194880000	1194890000	Klippon® TB11A
KTb MH 403015 S4E_*	400 x 300 x 150	1194910000	1194920000	1194930000	1194940000	-
KTb MH 403020 S4E_*	400 x 300 x 200	1194960000	1194970000	1194980000	1194990000	-
KTb MH 453815 S4E_*	458 x 382 x 150	1195010000	1195020000	1195030000	1195040000	Klippon® TB12
KTb MH 453820 S4E_*	458 x 382 x 200	1195060000	1195070000	1195080000	1195090000	Klippon® TB12
KTb MH 484815 S4E_*	480 x 480 x 150	1195110000	1195120000	1195130000	1195140000	Klippon® TB12A
KTb MH 484820 S4E_*	480 x 480 x 200	1195160000	1195170000	1195180000	1195190000	Klippon® TB12A
KTb MH 553515 S4E_*	550 x 350 x 150	1195210000	1195220000	1195230000	1195240000	Klippon® TB12B
KTb MH 553520 S4E_*	550 x 350 x 200	1195260000	1195270000	1195280000	1195290000	Klippon® TB12B
KTb MH 624515 S4E_*	620 x 450 x 150	1195310000	1195320000	1195330000	1195340000	Klippon® TB12D
KTb MH 624520 S4E_*	620 x 450 x 200	1195360000	1195370000	1195380000	1195390000	Klippon® TB12D
KTb MH 765015 S4E_*	762 x 508 x 150	1195410000	1195420000	1195430000	1195440000	Klippon® TB13
KTb MH 765020 S4E_*	762 x 508 x 200	1195460000	1195470000	1195480000	1195490000	Klippon® TB13
KTb MH 916115 S4E_*	914 x 610 x 150	1195510000	1195520000	1195530000	1195540000	Klippon® TB14
KTb MH 916120 S4E_*	914 x 610 x 200	1195560000	1195570000	1195580000	1195590000	Klippon® TB14
KTb MH 987420 S4E_*	980 x 740 x 200	1195610000	1195620000	1195630000	1195640000	-

Note

* Placeholder for the number of gland plates (1, 2, 3, 4). Klippon® TB MH enclosures are available without gland plates on request.

Technical Overview

Features

- Available in 12 sizes and 3 standard depths
- Equipped with up to 4 gland plates
- The gasket is protected against compression
- Completely removable padlock tab
- Cover lock outside the sealed zone
- Improved temperature performance
- IP 66/IP 67 protection
- Lid can be removed without a tool
- Earth studs in enclosure cover and bottom section
- Welded mounting feet
- International approvals

Note

Technical data

Enclosure material***	Stainless steel 1.4404 (316L) 1.5 mm
Surface finish	electropolished
IP protection class	IP 66 / IP 67 (IP 66 to IEC EN 60079-0)
NEMA protection classes	3, 4x, 12
Gland plates	1 - 4 (fixed with M6 hexagon head screws with 10 mm heads), optionally without a gland plate
Gland plate thickness	3 mm (other thickness of up to 20 mm are available on request)
Earthing inside	Enclosure base and lid: welded M6 stainless steel earth studs
Earthing outside	Continuous M10 brass earth stud (optionally with stainless-steel earth stud)
Installation mounting	4 or 9 mounting bolts with M6 threaded holes to attach the mounting plate or mounting rail
Enclosure attachment	4 welded mounting feet with 11-mm holes (2 slotted and 2 cross-shaped openings)
Lid opening	Lid can be fully removed without the use of tools, can be fitted on both sides, lid opening angle: 130°
Cover attachment	4 hinges and M6 hex-head screws (AF 10) with slot
Equipped for a padlock	Removable padlock fitting, for additional product security with an optional padlock (article number: 0905680000)
Impact resistance	7 J ATEX applications, 10 J industrial applications
Gasket material	Silicone
Operating temperature range*	-60 °C...+135 °C
Torque - lid and gland plate screws**	2.5 Nm
Note	* Limited to IP 66 protection when used in temperatures greater than 105 °C. ** To secure the lid, please use our hexagonal socket wrench with a 10 mm socket (9009070000) *** Painted steel enclosures are available on request.

Approvals for empty enclosures

ATEX certificate	KEMA 10ATEX0046 U
ATEX marking	II 2 G Ex e IIC Gb II 2 D Ex tb IIIC Db IP 66/67
IECEx certificate	IECEx KEM 10.0015U
IECEx marking	Ex e IIC Gb Ex tb IIIC Db IP 66/67
GOST Ex	POCC DE.ME92.B02036
cULus	E243298
Germanischer Lloyd	11533 - 10 HH
Russian Maritime Register	10.04093.250
CCOE	P267536/2
INMETRO	In preparation
Note	The Klippon® TB MH enclosure range can be pre-fitted in our customer specific production department according to your wishes; as an example, terminals, or other approved components, can be installed as required.

Approvals for control and distribution box

ATEX certificate	KEMA 10ATEX0050
ATEX marking	II 2 G Ex eb IIC T6...T4 II 1 G Ex ia IIC T6...T4 II 2(1) G Ex eb ia IIC T6...T4 II 2 D Ex tb IIIC T85 °C...T135 °C IP 66/67
IECEx certificate	IECEx KEM 10.0019
IECEx marking	Ex eb IIC T... Ex ia IIC T... Ex eb ia IIC T... Ex tb IIIC T85 °C...T135 °C IP 66/67
Note	Labelling depends on the application layout. Limited to IP 66 protection when used in temperatures greater than 105 °C.

Integrate, expand and customise: the perfect supplement to every application

The fully structured range of system accessories for the Klippon® TB enclosure range allows you to easily adapt the enclosure to meet the specific requirements of every application.

The following options are available:

1 Document holder

Document holders for storage of important documents in the enclosure.

2 Earthing studs

Earthing studs are replaceable. Available in two versions – brass and stainless steel.

3 Gland plates

Gland plates are available as spares and also in various material thicknesses.

4 Mounting plates

Mounting plates with and without a drilling pattern, for horizontal and vertical mounting of rails, or components fitted directly.

5 Mounting hardware kits

Mounting hardware kits are available for quick and easy installation of label holders, mounting plates, gland plates, document holders and rain hoods.

6 Door stay

A door stay prevent the door from being closed unintentionally, regardless of the mounting position of the enclosure. This item is **only** available Ex-works.

7 Locking systems

Various locking systems are available for the safe securing of the enclosure. There are padlocks for the Klippon® TB MH enclosures and a range of lock inserts for the Klippon® TB QL enclosures.

8 Type label holder

A range of label holders are available for product identification.

9 Rain hoods

The rain hood provides an ideal, additional level of protection for the enclosure. Particularly useful against heavy rainfall or extreme levels of direct sunlight.



Klippon® TB MH 221513

Depth 133 mm



Height/Width/Depth 229 / 152 / 133 mm

Ordering data

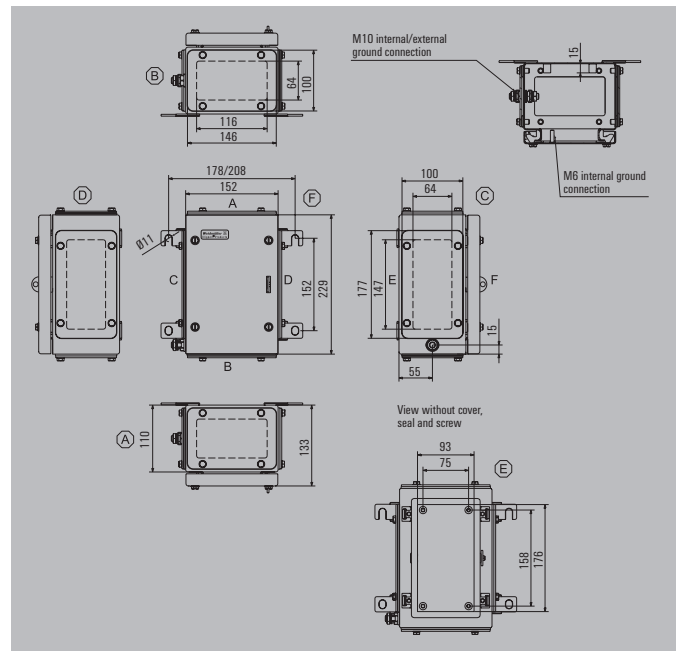
Stainless steel 1.4404 316L, electropolished	Order No.
1 gland plate - bottom side (B)	1194560000
2 gland plates - top and bottom sides (A & B)	1194570000
3 gland plates - bottom, left and right sides (B, C & D)	1194580000
4 gland plates - top, bottom, left and right sides (A, B, C & D)	1194590000

Note Painted sheet steel enclosure available on request. Standard colour is similar to RAL 7035.

Accessories

Mounting plates and fastening screws	Order No.
Steel sheet, zinc plated	1193930000
Stainless steel 1.4301	1193810000
With hole pattern, natural stainless steel 1.4301	1257650000
Fastening screws for mounting plates	0642600000
Fastening screws for terminal rails	1274150000
Stainless steel spacer M6 x 8, Set of 4	
10 mm length	0935110000
15 mm length	0935120000
20 mm length	0935130000
30 mm length	0935140000
Gland plates and screws - 6 mm	
Top and bottom sides (A & B), electropolished stainless steel 1.4404	1256270000
Left and right sides (C & D), electropolished stainless steel 1.4404	1256280000
Mounting screw, stainless steel 1.4404	1253230000
Mirror-polish Stainless steel 1.4301 rain hood (2R)	
	1281360000
Label holder	
70 x 70 angled stainless steel 1.4301	1279320000
130x50 stainless steel 1.4301	1283450000
100x25 stainless steel 1.4301	1257640000
Document holder	
For DIN A6 size documents	
For DIN A5 size documents	
For DIN A4 size documents	
Set of fixings	
For label holders, rain hoods and document holders (rivet)	1252190000
For plastic (Trafolyte), identification plate (screw)	1285200000
Earthing stud	
Stainless steel 1.4404	1192690000
Padlock with two keys	
Stainless steel 1.4301	0905680000

Note



Max. number of terminals (industry)

Max. number of terminals (industry)	vertical	horizontal
2.5 mm ²	1x29	1x15
4 mm ²		1x13
6 mm ²		1x9
10 mm ²		1x7
16 mm ²		1x6
35 mm ²		



Note

*For enclosure versions with zero, one or two gland plates, the horizontal gap between the mounting feet is reduced by 30 mm. Assembly with terminal blocks provides for 10 mm clearance to the ends of the mounting rail. Recommended order: TS 35 mounting rail (screw terminal) WDU 2.5 1020000000 / (tension clamp terminal) ZDU 2.5 1608510000 / (tension clamp terminal) PDU 2.5 1896110000 TS 32 mounting rail (screw terminal) SAK 2.5 0279660000 TS 15 mounting rail (screw terminal) AKZ 2.5 0697160000

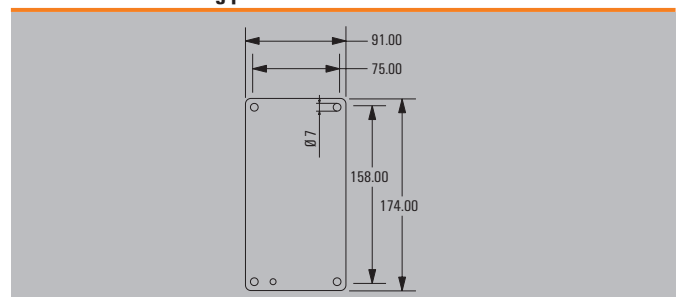
Number of cable entries

Number of cable entries	A / B	C / D
M12	6	8
M16	5	6
M20	2	3
M25	2	2
M32	1	2
M40	1	2
M50	0	0
M63	0	0
M75	0	0

Note

Our IP 68 brass cable glands serve as a reference for these recommended values.

Dimensions of mounting plate





Height/Width/Depth 260 / 260 / 150 mm

Ordering data

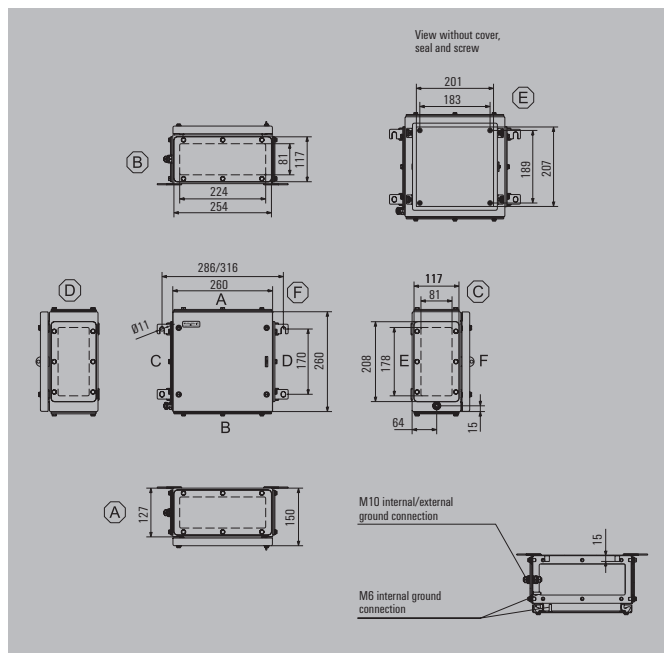
Stainless steel 1.4404 316L, electropolished	Order No.
1 gland plate - bottom side (B)	1194610000
2 gland plates - top and bottom sides (A & B)	1194620000
3 gland plates - bottom, left and right sides (B, C & D)	1194630000
4 gland plates - top, bottom, left and right sides (A, B, C & D)	1194640000

Note Painted sheet steel enclosure available on request. The colours of painted enclosures may vary under certain circumstances.

Accessories

Mounting plates and fastening screws	Order No.
Steel sheet, zinc plated	1193950000
Stainless steel 1.4301	1193820000
With hole pattern, natural stainless steel 1.4301	1257660000
Fastening screws for mounting plates	0642600000
Fastening screws for terminal rails	1274150000
Stainless steel spacer M6 x 8, Set of 4	
10 mm length	0935110000
15 mm length	0935120000
20 mm length	0935130000
30 mm length	0935140000
Gland plates and screws - 6 mm	
Top and bottom sides (A & B), electropolished stainless steel 1.4404	1256290000
Left and right sides (C & D), electropolished stainless steel 1.4404	1256310000
Mounting screw, stainless steel 1.4404	1253230000
Mirror-polish Stainless steel 1.4301 rain hood (2R)	
	1281370000
Label holder	
70 x 70 angled stainless steel 1.4301	1279320000
130x50 stainless steel 1.4301	1283450000
100x25 stainless steel 1.4301	1257640000
Document holder	
For DIN A6 size documents	1252780000
For DIN A5 size documents	
For DIN A4 size documents	
Set of fixings	
For label holders, rain hoods and document holders (rivet)	1252190000
For plastic (Trafolyte), identification plate (screw)	1285200000
Earthing stud	
Stainless steel 1.4404	1192690000
Padlock with two keys	
Stainless steel 1.4301	0905680000

Note



Max. number of terminals (industry)

Max. number of terminals (industry)	vertical	horizontal
2.5 mm ²	2x35	2x34
4 mm ²	1x30	1x29
6 mm ²	1x22	1x22
10 mm ²	1x18	1x17
16 mm ²	1x15	1x14
35 mm ²		



Note

*For enclosure versions with zero, one or two gland plates, the horizontal gap between the mounting feet is reduced by 30 mm. Assembly with terminal blocks provides for 10 mm clearance to the ends of the mounting rail. Recommended order: TS 35 mounting rail (screw terminal) WDU 2.5 1020000000 / (tension clamp terminal) ZDU 2.5 1608510000 / (tension clamp terminal) PDU 2.5 1896110000 TS 32 mounting rail (screw terminal) SAK 2.5 0279660000 TS 15 mounting rail (screw terminal) AKZ 2.5 0697160000

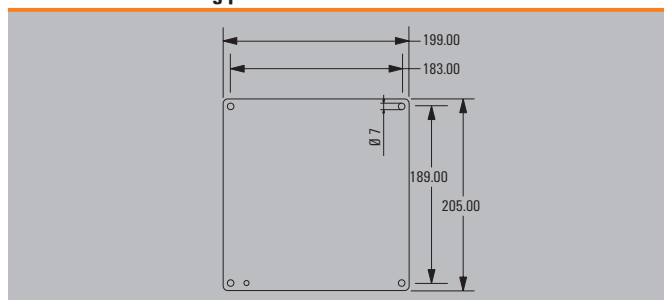
Number of cable entries

Number of cable entries	A / B	C / D
M12	20	15
M16	11	8
M20	9	7
M25	4	3
M32	3	2
M40	3	2
M50	2	2
M63	0	0
M75	0	0

Note

Our IP 68 brass cable glands are used as the reference for these guideline values.

Dimensions of mounting plate





Height/Width/Depth 260 / 260 / 200 mm

Ordering data

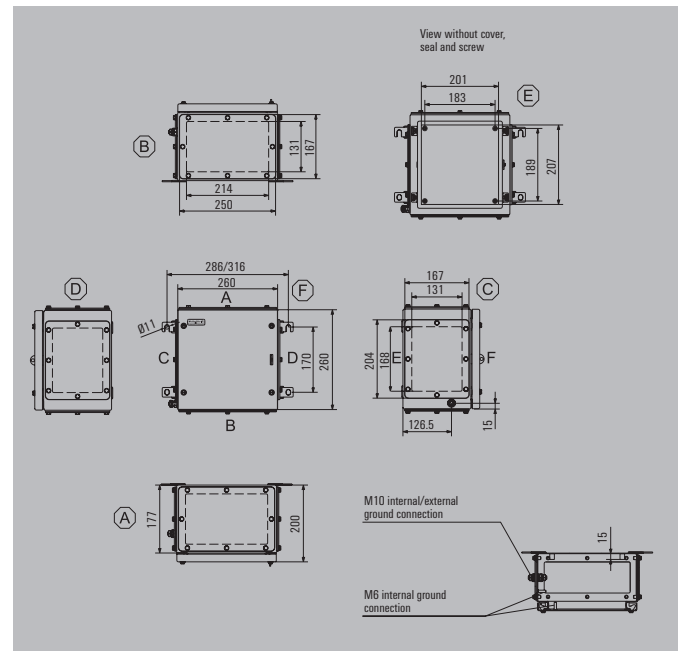
Stainless steel 1.4404 316L, electropolished	Order No.
1 gland plate - bottom side (B)	1194660000
2 gland plates - top and bottom sides (A & B)	1194670000
3 gland plates - bottom, left and right sides (B, C & D)	1194680000
4 gland plates - top, bottom, left and right sides (A, B, C & D)	1194690000

Note Painted sheet steel enclosure available on request. The colours of painted enclosures may vary under certain circumstances.

Accessories

Mounting plates and fastening screws	Order No.
Steel sheet, zinc plated	1193950000
Stainless steel 1.4301	1193820000
With hole pattern, natural stainless steel 1.4301	1257660000
Fastening screws for mounting plates	0642600000
Fastening screws for terminal rails	1274150000
Stainless steel spacer M6 x 8, Set of 4	
10 mm length	0935110000
15 mm length	0935120000
20 mm length	0935130000
30 mm length	0935140000
Gland plates and screws - 6 mm	
Top and bottom sides (A & B), electropolished stainless steel 1.4404	1256320000
Left and right sides (C & D), electropolished stainless steel 1.4404	1256330000
Mounting screw, stainless steel 1.4404	1253230000
Mirror-polish Stainless steel 1.4301 rain hood (2R)	
	1281380000
Label holder	
70 x 70 angled stainless steel 1.4301	1279320000
130x50 stainless steel 1.4301	1283450000
100x25 stainless steel 1.4301	1257640000
Document holder	
For DIN A6 size documents	1252780000
For DIN A5 size documents	
For DIN A4 size documents	
Set of fixings	
For label holders, rain hoods and document holders (rivet)	1252190000
For plastic (Trafolyte), identification plate (screw)	1285200000
Earthing stud	
Stainless steel 1.4404	1192690000
Padlock with two keys	
Stainless steel 1.4301	0905680000

Note



Max. number of terminals (industry)

Max. number of terminals (industry)	vertical	horizontal
2.5 mm ²	2x35	2x34
4 mm ²	1x30	1x29
6 mm ²	1x22	1x22
10 mm ²	1x18	1x17
16 mm ²	1x15	1x14
35 mm ²		



Note

*For enclosure versions with zero, one or two gland plates, the horizontal gap between the mounting feet is reduced by 30 mm. Assembly with terminal blocks provides for 10 mm clearance to the ends of the mounting rail. Recommended order: TS 35 mounting rail (screw terminal) WDU 2.5 1020000000 / (tension clamp terminal) ZDU 2.5 1608510000 / (tension clamp terminal) PDU 2.5 1896110000 TS 32 mounting rail (screw terminal) SAK 2.5 0279660000 TS 15 mounting rail (screw terminal) AKZ 2.5 0697160000

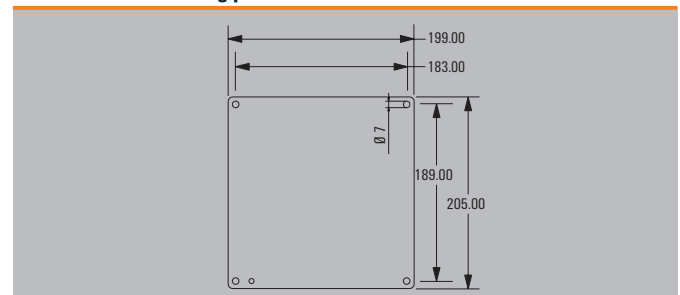
Number of cable entries

Number of cable entries	A / B	C / D
M12	33	25
M16	22	16
M20	14	11
M25	12	9
M32	6	4
M40	5	4
M50	2	2
M63	2	1
M75	1	1

Note

Our IP 68 brass cable glands serve as a reference for these recommended values.

Dimensions of mounting plate





Height/Width/Depth 306 / 306 / 150 mm

Ordering data

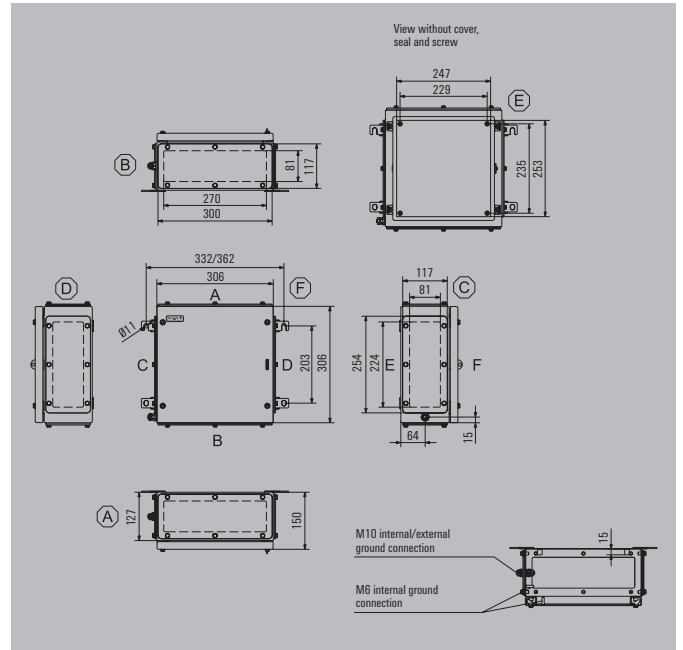
Stainless steel 1.4404 316L, electropolished	Order No.
1 gland plate - bottom side (B)	1194710000
2 gland plates - top and bottom sides (A & B)	1194720000
3 gland plates - bottom, left and right sides (B, C & D)	1194730000
4 gland plates - top, bottom, left and right sides (A, B, C & D)	1194740000

Note Painted sheet steel enclosure available on request. The colours of painted enclosures may vary under certain circumstances.

Accessories

Mounting plates and fastening screws	Order No.
Steel sheet, zinc plated	1193960000
Stainless steel 1.4301	1193830000
With hole pattern, natural stainless steel 1.4301	1257670000
Fastening screws for mounting plates	0642600000
Fastening screws for terminal rails	1274150000
Stainless steel spacer M6 x 8, Set of 4	
10 mm length	0935110000
15 mm length	0935120000
20 mm length	0935130000
30 mm length	0935140000
Gland plates and screws - 6 mm	
Top and bottom sides (A & B), electropolished stainless steel 1.4404	1256340000
Left and right sides (C & D), electropolished stainless steel 1.4404	1256350000
Mounting screw, stainless steel 1.4404	1253230000
Mirror-polish Stainless steel 1.4301 rain hood (2R)	
	1281390000
Label holder	
70 x 70 angled stainless steel 1.4301	1279320000
130x50 stainless steel 1.4301	1283450000
100x25 stainless steel 1.4301	1257640000
Document holder	
For DIN A6 size documents	1252780000
For DIN A5 size documents	
For DIN A4 size documents	
Set of fixings	
For label holders, rain hoods and document holders (rivet)	1252190000
For plastic (Trafolyte), identification plate (screw)	1285200000
Earthing stud	
Stainless steel 1.4404	1192690000
Padlock with two keys	
Stainless steel 1.4301	0905680000

Note



Max. number of terminals (industry)

Max. number of terminals (industry)	vertical	horizontal
2.5 mm ²	2x44	2x43
4 mm ²	2x37	2x36
6 mm ²	2x28	2x27
10 mm ²	1x22	1x22
16 mm ²	1x19	1x18
35 mm ²	1x14	1x13

Note

*For enclosure versions with zero, one or two gland plates, the horizontal gap between the mounting feet is reduced by 30 mm. Assembly with terminal blocks provides for 10 mm clearance to the ends of the mounting rail. Recommended order: TS 35 mounting rail (screw terminal) WDU 2.5 1020000000 / (tension clamp terminal) ZDU 2.5 1608510000 / (tension clamp terminal) PDU 2.5 1896110000 TS 32 mounting rail (screw terminal) SAK 2.5 0279660000 TS 15 mounting rail (screw terminal) AKZ 2.5 0697160000

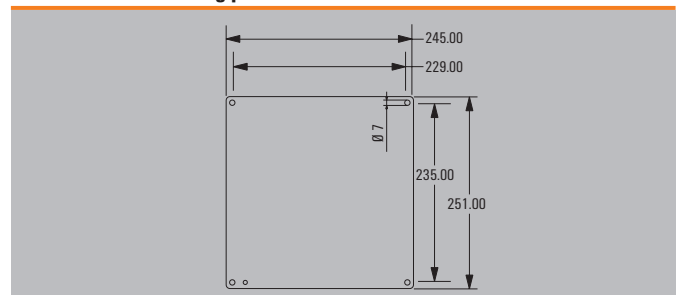
Number of cable entries

Number of cable entries	A / B	C / D
M12	24	20
M16	13	11
M20	11	9
M25	5	4
M32	4	3
M40	3	3
M50	3	2
M63	0	0
M75	0	0

Note

Our IP 68 brass cable glands are used as the reference for these guideline values.

Dimensions of mounting plate





Height/Width/Depth 306 / 306 / 200 mm

Ordering data

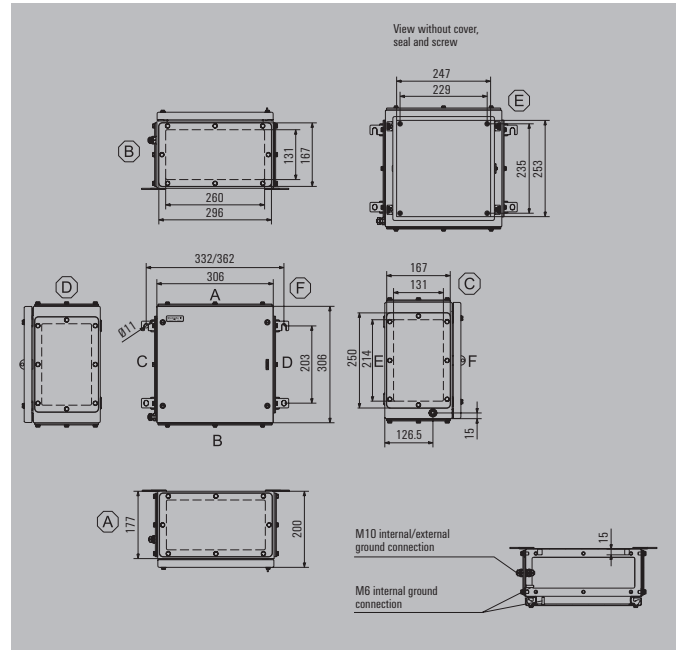
Stainless steel 1.4404 316L, electropolished	Order No.
1 gland plate - bottom side (B)	1194760000
2 gland plates - top and bottom sides (A & B)	1194770000
3 gland plates - bottom, left and right sides (B, C & D)	1194780000
4 gland plates - top, bottom, left and right sides (A, B, C & D)	1194790000

Note Painted sheet steel enclosure available on request. The colours of painted enclosures may vary under certain circumstances.

Accessories

Mounting plates and fastening screws	Order No.
Steel sheet, zinc plated	1193960000
Stainless steel 1.4301	1193830000
With hole pattern, natural stainless steel 1.4301	1257670000
Fastening screws for mounting plates	0642600000
Fastening screws for terminal rails	1274150000
Stainless steel spacer M6 x 8, Set of 4	
10 mm length	0935110000
15 mm length	0935120000
20 mm length	0935130000
30 mm length	0935140000
Gland plates and screws - 6 mm	
Top and bottom sides (A & B), electropolished stainless steel 1.4404	1256360000
Left and right sides (C & D), electropolished stainless steel 1.4404	1256370000
Mounting screw, stainless steel 1.4404	1253230000
Mirror-polish Stainless steel 1.4301 rain hood (2R)	
	1281400000
Label holder	
70 x 70 angled stainless steel 1.4301	1279320000
130x50 stainless steel 1.4301	1283450000
100x25 stainless steel 1.4301	1257640000
Document holder	
For DIN A6 size documents	1252780000
For DIN A5 size documents	
For DIN A4 size documents	
Set of fixings	
For label holders, rain hoods and document holders (rivet)	1252190000
For plastic (Trafolyte), identification plate (screw)	1285200000
Earthing stud	
Stainless steel 1.4404	1192690000
Padlock with two keys	
Stainless steel 1.4301	0905680000

Note



Max. number of terminals (industry)

Max. number of terminals (industry)	vertical	horizontal
2.5 mm ²	2x44	2x43
4 mm ²	2x37	2x36
6 mm ²	2x28	2x27
10 mm ²	1x22	1x22
16 mm ²	1x19	1x18
35 mm ²	1x14	1x13



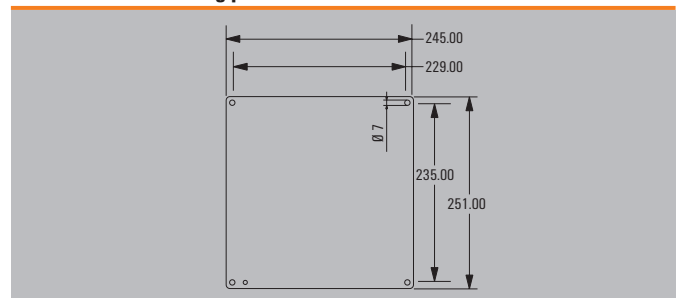
Note *For enclosure versions with zero, one or two gland plates, the horizontal gap between the mounting feet is reduced by 30 mm. Assembly with terminal blocks provides for 10 mm clearance to the ends of the mounting rail. Recommended order: TS 35 mounting rail (screw terminal) WDU 2.5 1020000000 / (tension clamp terminal) ZDU 2.5 1608510000 / (tension clamp terminal) PDU 2.5 1896110000 TS 32 mounting rail (screw terminal) SAK 2.5 0279660000 TS 15 mounting rail (screw terminal) AKZ 2.5 0697160000

Number of cable entries

Number of cable entries	A / B	C / D
M12	40	33
M16	26	22
M20	17	14
M25	14	12
M32	8	6
M40	6	5
M50	3	2
M63	2	2
M75	2	1

Note Our IP 68 brass cable glands serve as a reference for these recommended values.

Dimensions of mounting plate





Height/Width/Depth 350 / 260 / 150 mm

Ordering data

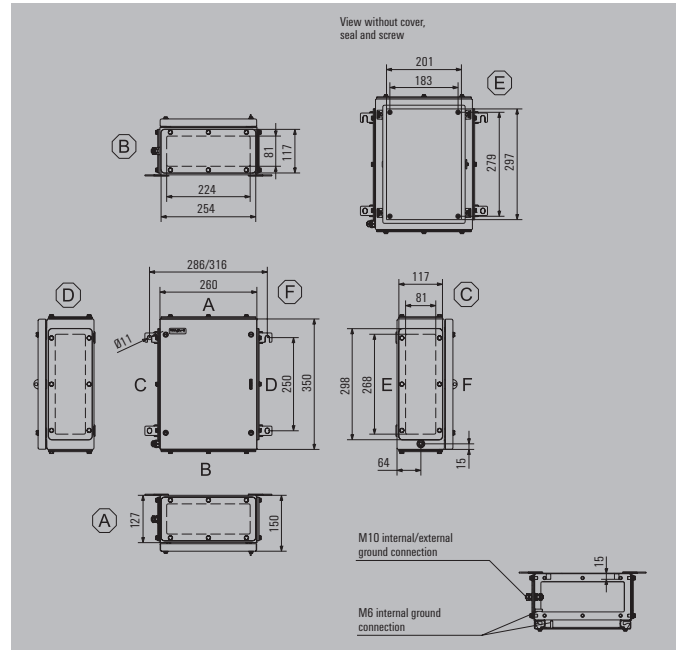
Stainless steel 1.4404 316L, electropolished	Order No.
1 gland plate - bottom side (B)	1194810000
2 gland plates - top and bottom sides (A & B)	1194820000
3 gland plates - bottom, left and right sides (B, C & D)	1194830000
4 gland plates - top, bottom, left and right sides (A, B, C & D)	1194840000

Note Painted sheet steel enclosure available on request. Standard colour is similar to RAL 7035.

Accessories

Mounting plates and fastening screws	Order No.
Steel sheet, zinc plated	1193970000
Stainless steel 1.4301	1193840000
With hole pattern, natural stainless steel 1.4301	1257680000
Fastening screws for mounting plates	0642600000
Fastening screws for terminal rails	1274150000
Stainless steel spacer M6 x 8, Set of 4	
10 mm length	0935110000
15 mm length	0935120000
20 mm length	0935130000
30 mm length	0935140000
Gland plates and screws - 6 mm	
Top and bottom sides (A & B), electropolished stainless steel 1.4404	1256380000
Left and right sides (C & D), electropolished stainless steel 1.4404	1256390000
Mounting screw, stainless steel 1.4404	1253230000
Mirror-polish Stainless steel 1.4301 rain hood (2R)	
	1281410000
Label holder	
70 x 70 angled stainless steel 1.4301	1279320000
130x50 stainless steel 1.4301	1283450000
100x25 stainless steel 1.4301	1257640000
Document holder	
For DIN A6 size documents	1252780000
For DIN A5 size documents	
For DIN A4 size documents	
Set of fixings	
For label holders, rain hoods and document holders (rivet)	1252190000
For plastic (Trafolyte), identification plate (screw)	1285200000
Earthing stud	
Stainless steel 1.4404	1192690000
Padlock with two keys	
Stainless steel 1.4301	0905680000

Note



Max. number of terminals (industry)

Max. number of terminals (industry)	vertical	horizontal
2.5 mm ²	2x53	2x34
4 mm ²	1x44	2x29
6 mm ²	1x33	2x22
10 mm ²	1x27	2x17
16 mm ²	1x22	1x14
35 mm ²		1x11



Note

*For enclosure versions with zero, one or two gland plates, the horizontal gap between the mounting feet is reduced by 30 mm. Assembly with terminal blocks provides for 10 mm clearance to the ends of the mounting rail. Recommended order: TS 35 mounting rail (screw terminal) WDU 2.5 1020000000 / (tension clamp terminal) ZDU 2.5 1608510000 / (tension clamp terminal) PDU 2.5 1896110000 TS 32 mounting rail (screw terminal) SAK 2.5 0279660000 TS 15 mounting rail (screw terminal) AKZ 2.5 0697160000

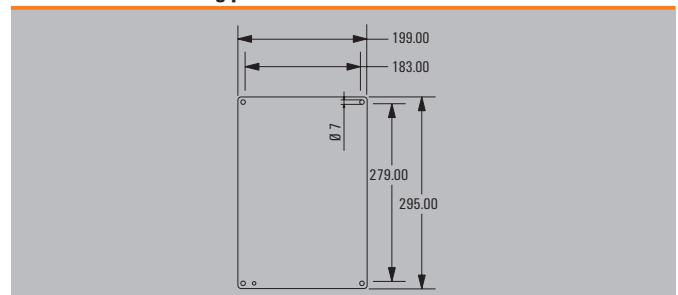
Number of cable entries

Number of cable entries	A / B	C / D
M12	20	23
M16	11	13
M20	9	11
M25	4	5
M32	3	4
M40	3	3
M50	2	3
M63	0	0
M75	0	0

Note

Our IP 68 brass cable glands are used as the reference for these guideline values.

Dimensions of mounting plate





Height/Width/Depth 350 / 260 / 200 mm

Ordering data

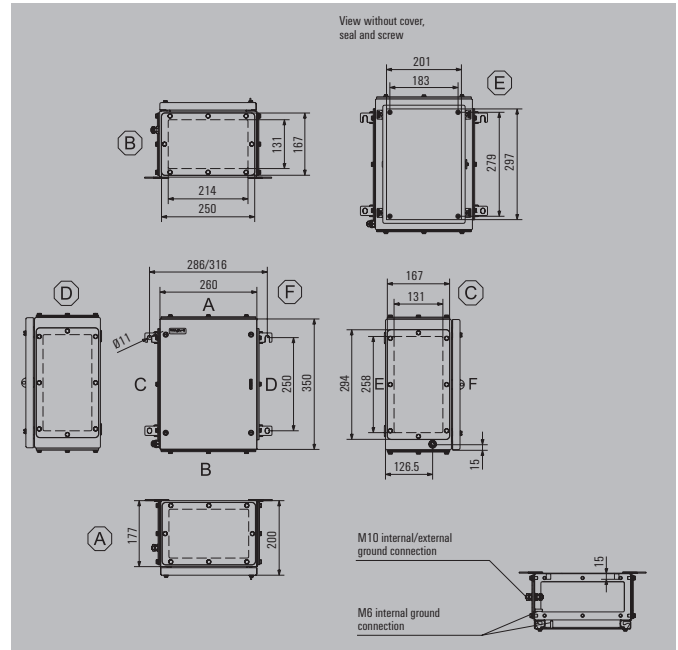
Stainless steel 1.4404 316L, electropolished	Order No.
1 gland plate - bottom side (B)	1194860000
2 gland plates - top and bottom sides (A & B)	1194870000
3 gland plates - bottom, left and right sides (B, C & D)	1194880000
4 gland plates - top, bottom, left and right sides (A, B, C & D)	1194890000

Note Painted sheet steel enclosure available on request. Standard colour is similar to RAL 7035.

Accessories

Mounting plates and fastening screws	Order No.
Steel sheet, zinc plated	1193970000
Stainless steel 1.4301	1193840000
With hole pattern, natural stainless steel 1.4301	1257680000
Fastening screws for mounting plates	0642600000
Fastening screws for terminal rails	1274150000
Stainless steel spacer M6 x 8, Set of 4	
10 mm length	0935110000
15 mm length	0935120000
20 mm length	0935130000
30 mm length	0935140000
Gland plates and screws - 6 mm	
Top and bottom sides (A & B), electropolished stainless steel 1.4404	1256410000
Left and right sides (C & D), electropolished stainless steel 1.4404	1256420000
Mounting screw, stainless steel 1.4404	1253230000
Mirror-polish Stainless steel 1.4301 rain hood (2R)	
	1281420000
Label holder	
70 x 70 angled stainless steel 1.4301	1279320000
130x50 stainless steel 1.4301	1283450000
100x25 stainless steel 1.4301	1257640000
Document holder	
For DIN A6 size documents	1252780000
For DIN A5 size documents	
For DIN A4 size documents	
Set of fixings	
For label holders, rain hoods and document holders (rivet)	1252190000
For plastic (Trafolyte), identification plate (screw)	1285200000
Earthing stud	
Stainless steel 1.4404	1192690000
Padlock with two keys	
Stainless steel 1.4301	0905680000

Note



Max. number of terminals (industry)

Max. number of terminals (industry)	vertical	horizontal
2.5 mm ²	2x53	2x34
4 mm ²	1x44	2x29
6 mm ²	1x33	2x22
10 mm ²	1x27	2x17
16 mm ²	1x22	1x14
35 mm ²		1x11



Note

*For enclosure versions with zero, one or two gland plates, the horizontal gap between the mounting feet is reduced by 30 mm. Assembly with terminal blocks provides for 10 mm clearance to the ends of the mounting rail. Recommended order: TS 35 mounting rail (screw terminal) WDU 2.5 1020000000 / (tension clamp terminal) ZDU 2.5 1608510000 / (tension clamp terminal) PDU 2.5 1896110000 TS 32 mounting rail (screw terminal) SAK 2.5 0279660000 TS 15 mounting rail (screw terminal) AKZ 2.5 0697160000

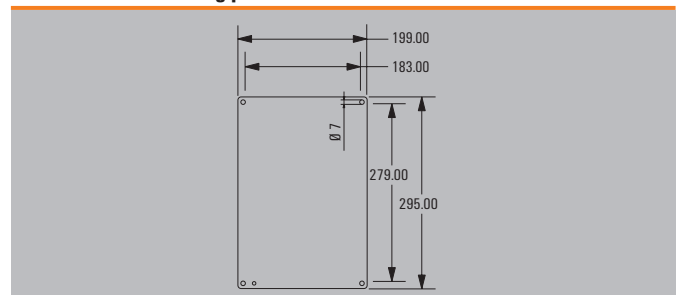
Number of cable entries

Number of cable entries	A / B	C / D
M12	33	38
M16	22	26
M20	14	17
M25	12	14
M32	6	7
M40	5	6
M50	2	3
M63	2	2
M75	1	2

Note

Our IP 68 brass cable glands serve as a reference for these recommended values.

Dimensions of mounting plate





Height/Width/Depth 400 / 300 / 150 mm

Ordering data

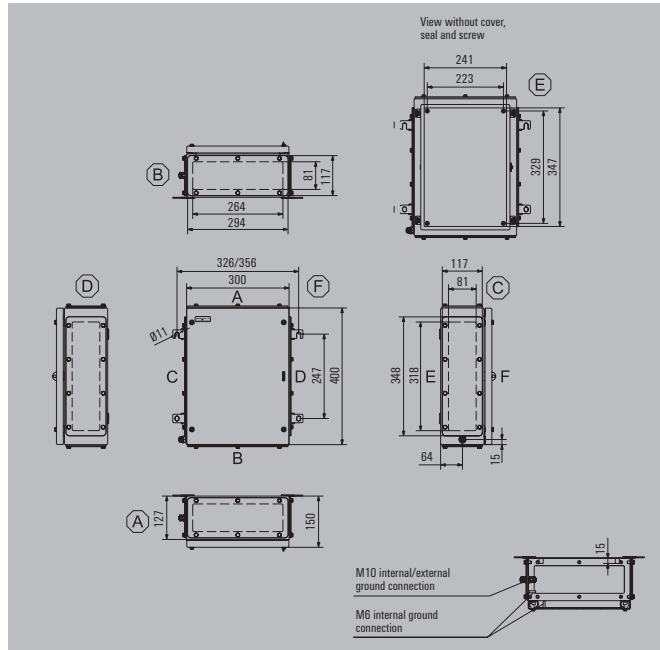
Stainless steel 1.4404 316L, electropolished	Order No.
1 gland plate - bottom side (B)	1194910000
2 gland plates - top and bottom sides (A & B)	1194920000
3 gland plates - bottom, left and right sides (B, C & D)	1194930000
4 gland plates - top, bottom, left and right sides (A, B, C & D)	1194940000

Note Painted sheet steel enclosure available on request. Standard colour is similar to RAL 7035.

Accessories

Mounting plates and fastening screws	Order No.
Steel sheet, zinc plated	1193980000
Stainless steel 1.4301	1193850000
With hole pattern, natural stainless steel 1.4301	1257690000
Fastening screws for mounting plates	0642600000
Fastening screws for terminal rails	1274150000
Stainless steel spacer M6 x 8, Set of 4	
10 mm length	0935110000
15 mm length	0935120000
20 mm length	0935130000
30 mm length	0935140000
Gland plates and screws - 6 mm	
Top and bottom sides (A & B), electropolished stainless steel 1.4404	1256430000
Left and right sides (C & D), electropolished stainless steel 1.4404	1256440000
Mounting screw, stainless steel 1.4404	1253230000
Mirror-polish Stainless steel 1.4301 rain hood (2R)	
	1281430000
Label holder	
70 x 70 angled stainless steel 1.4301	1279320000
130x50 stainless steel 1.4301	1283450000
100x25 stainless steel 1.4301	1257640000
Document holder	
For DIN A6 size documents	1252780000
For DIN A5 size documents	
For DIN A4 size documents	
Set of fixings	
For label holders, rain hoods and document holders (rivet)	1252190000
For plastic (Trafolyte), identification plate (screw)	1285200000
Earthing stud	
Stainless steel 1.4404	1192690000
Padlock with two keys	
Stainless steel 1.4301	0905680000

Note



Max. number of terminals (industry)

Max. number of terminals (industry)	vertical	horizontal
2.5 mm ²	2x62	3x42
4 mm ²	2x52	3x35
6 mm ²	1x39	2x26
10 mm ²	1x32	2x21
16 mm ²	1x26	2x18
35 mm ²	1x20	1x13

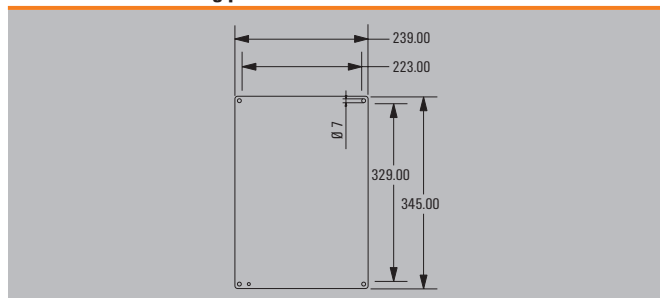
Note *For enclosure versions with zero, one or two gland plates, the horizontal gap between the mounting feet is reduced by 30 mm. Assembly with terminal blocks provides for 10 mm clearance to the ends of the mounting rail. Recommended order: TS 35 mounting rail (screw terminal) WDU 2.5 1020000000 / (tension clamp terminal) ZDU 2.5 1608510000 / (tension clamp terminal) PDU 2.5 1896110000 TS 32 mounting rail (screw terminal) SAK 2.5 0279660000 TS 15 mounting rail (screw terminal) AKZ 2.5 0697160000

Number of cable entries

Number of cable entries	A / B	C / D
M12	23	29
M16	13	16
M20	11	13
M25	5	6
M32	4	5
M40	3	4
M50	3	3
M63	0	0
M75	0	0

Note Our IP 68 brass cable glands are used as the reference for these guideline values.

Dimensions of mounting plate





Height/Width/Depth 400 / 300 / 200 mm

Ordering data

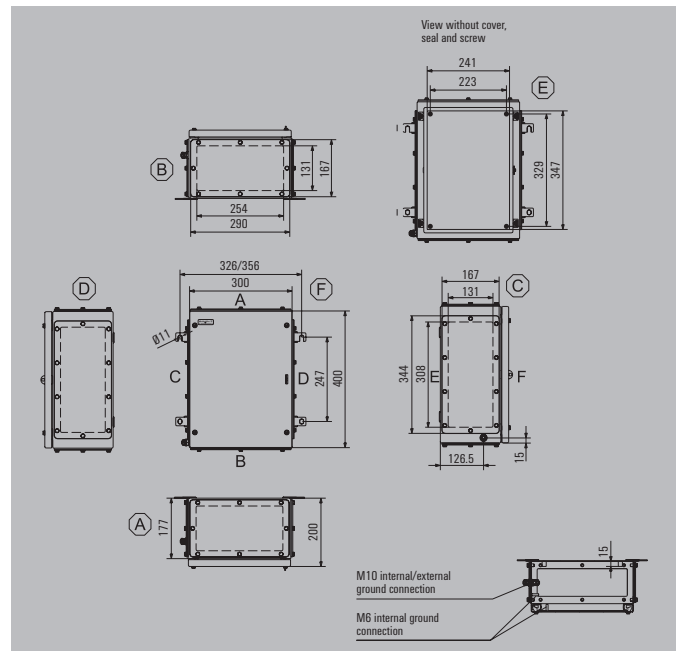
Stainless steel 1.4404 316L, electropolished	Order No.
1 gland plate - bottom side (B)	1194960000
2 gland plates - top and bottom sides (A & B)	1194970000
3 gland plates - bottom, left and right sides (B, C & D)	1194980000
4 gland plates - top, bottom, left and right sides (A, B, C & D)	1194990000

Note Painted sheet steel enclosure available on request. Standard colour is similar to RAL 7035.

Accessories

Mounting plates and fastening screws	Order No.
Steel sheet, zinc plated	1193980000
Stainless steel 1.4301	1193850000
With hole pattern, natural stainless steel 1.4301	1257690000
Fastening screws for mounting plates	0642600000
Fastening screws for terminal rails	1274150000
Stainless steel spacer M6 x 8, Set of 4	
10 mm length	0935110000
15 mm length	0935120000
20 mm length	0935130000
30 mm length	0935140000
Gland plates and screws - 6 mm	
Top and bottom sides (A & B), electropolished stainless steel 1.4404	1256450000
Left and right sides (C & D), electropolished stainless steel 1.4404	1256470000
Mounting screw, stainless steel 1.4404	1253230000
Mirror-polish Stainless steel 1.4301 rain hood (2R)	
	1281440000
Label holder	
70 x 70 angled stainless steel 1.4301	1279320000
130x50 stainless steel 1.4301	1283450000
100x25 stainless steel 1.4301	1257640000
Document holder	
For DIN A6 size documents	1252780000
For DIN A5 size documents	
For DIN A4 size documents	
Set of fixings	
For label holders, rain hoods and document holders (rivet)	1252190000
For plastic (Trafolyte), identification plate (screw)	1285200000
Earthing stud	
Stainless steel 1.4404	1192690000
Padlock with two keys	
Stainless steel 1.4301	0905680000

Note



Max. number of terminals (industry)

Max. number of terminals (industry)	vertical	horizontal
2.5 mm ²	2x62	3x42
4 mm ²	2x52	3x35
6 mm ²	1x39	2x26
10 mm ²	1x32	2x21
16 mm ²	1x26	2x18
35 mm ²	1x20	1x13



Note

*For enclosure versions with zero, one or two gland plates, the horizontal gap between the mounting feet is reduced by 30 mm. Assembly with terminal blocks provides for 10 mm clearance to the ends of the mounting rail. Recommended order: TS 35 mounting rail (screw terminal) WDU 2.5 1020000000 / (tension clamp terminal) ZDU 2.5 1608510000 / (tension clamp terminal) PDU 2.5 1896110000 TS 32 mounting rail (screw terminal) SAK 2.5 0279660000 TS 15 mounting rail (screw terminal) AKZ 2.5 0697160000

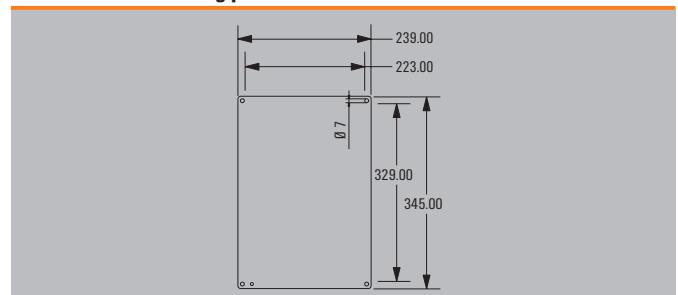
Number of cable entries

Number of cable entries	A / B	C / D
M12	38	48
M16	26	32
M20	17	20
M25	14	17
M32	7	9
M40	6	7
M50	3	3
M63	2	3
M75	2	2

Note

Our IP 68 brass cable glands serve as a reference for these recommended values.

Dimensions of mounting plate





Height/Width/Depth 458 / 382 / 150 mm

Ordering data

Stainless steel 1.4404 316L, electropolished	Order No.
1 gland plate - bottom side (B)	1195010000
2 gland plates - top and bottom sides (A & B)	1195020000
3 gland plates - bottom, left and right sides (B, C & D)	1195030000
4 gland plates - top, bottom, left and right sides (A, B, C & D)	1195040000

Note Painted sheet steel enclosure available on request. Standard colour is similar to RAL 7035.

Accessories

Mounting plates and fastening screws	Order No.
Steel sheet, zinc plated	1193990000
Stainless steel 1.4301	1193860000
With hole pattern, natural stainless steel 1.4301	1257700000
Fastening screws for mounting plates	0642600000
Fastening screws for terminal rails	1274150000

Stainless steel spacer M6 x 8, Set of 4	Order No.
10 mm length	0935110000
15 mm length	0935120000
20 mm length	0935130000
30 mm length	0935140000

Gland plates and screws - 6 mm	Order No.
Top and bottom sides (A & B), electropolished stainless steel 1.4404	1256480000
Left and right sides (C & D), electropolished stainless steel 1.4404	1256490000
Mounting screw, stainless steel 1.4404	1253230000

Mirror-polish Stainless steel 1.4301 rain hood (2R)	Order No.
	1281450000

Label holder	Order No.
70 x 70 angled stainless steel 1.4301	1279320000
130x50 stainless steel 1.4301	1283450000
100x25 stainless steel 1.4301	1257640000

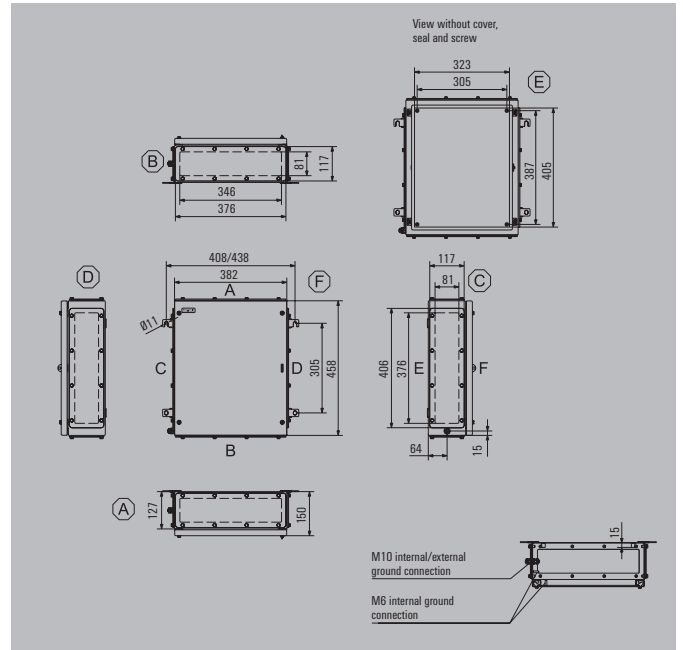
Document holder	Order No.
For DIN A6 size documents	1252780000
For DIN A5 size documents	1252750000
For DIN A4 size documents	

Set of fixings	Order No.
For label holders, rain hoods and document holders (rivet)	1252190000
For plastic (Trafolyte), identification plate (screw)	1285200000

Earthing stud	Order No.
Stainless steel 1.4404	1192690000

Padlock with two keys	Order No.
Stainless steel 1.4301	0905680000

Note



Max. number of terminals (industry)

Max. number of terminals (industry)	vertical	horizontal
2.5 mm ²	3x73	4x58
4 mm ²	2x62	3x48
6 mm ²	2x46	3x36
10 mm ²	2x37	2x29
16 mm ²	2x31	2x24
35 mm ²	1x23	1x18

Note

*For enclosure versions with zero, one or two gland plates, the horizontal gap between the mounting feet is reduced by 30 mm. Assembly with terminal blocks provides for 10 mm clearance to the ends of the mounting rail. Recommended order: TS 35 mounting rail (screw terminal) WDU 2.5 1020000000 / (tension clamp terminal) ZDU 2.5 1608510000 / (tension clamp terminal) PDU 2.5 1896110000 TS 32 mounting rail (screw terminal) SAK 2.5 0279660000 TS 15 mounting rail (screw terminal) AKZ 2.5 0697160000

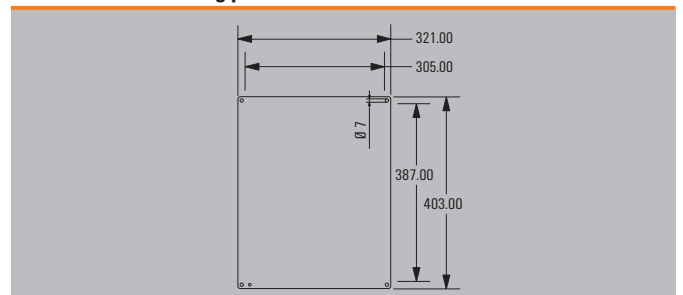
Number of cable entries

Number of cable entries	A / B	C / D
M12	30	33
M16	17	19
M20	15	16
M25	6	7
M32	5	6
M40	4	5
M50	4	4
M63	0	0
M75	0	0

Note

Our IP 68 brass cable glands serve as a reference for these recommended values.

Dimensions of mounting plate





Height/Width/Depth 458 / 382 / 200 mm

Ordering data

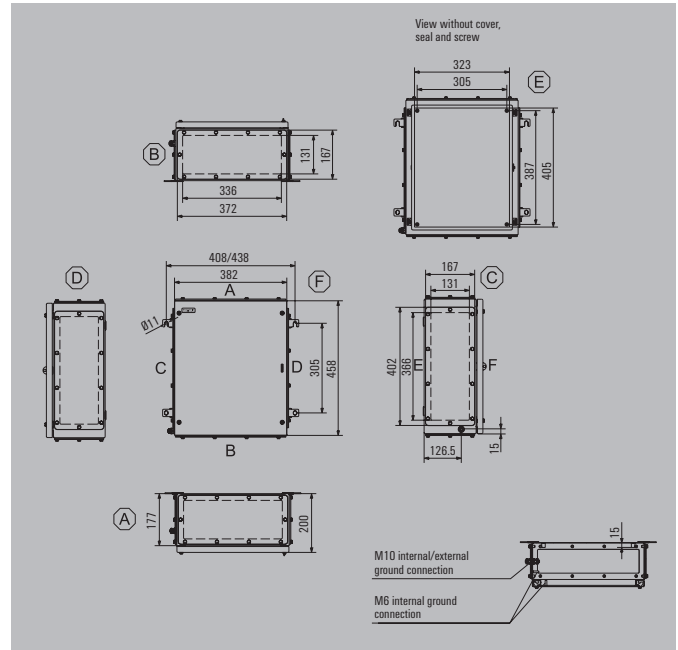
Stainless steel 1.4404 316L, electropolished	Order No.
1 gland plate - bottom side (B)	1195060000
2 gland plates - top and bottom sides (A & B)	1195070000
3 gland plates - bottom, left and right sides (B, C & D)	1195080000
4 gland plates - top, bottom, left and right sides (A, B, C & D)	1195090000

Note Painted sheet steel enclosure available on request. Standard colour is similar to RAL 7035.

Accessories

Mounting plates and fastening screws	Order No.
Steel sheet, zinc plated	1193990000
Stainless steel 1.4301	1193860000
With hole pattern, natural stainless steel 1.4301	1257700000
Fastening screws for mounting plates	0642600000
Fastening screws for terminal rails	1274150000
Stainless steel spacer M6 x 8, Set of 4	
10 mm length	0935110000
15 mm length	0935120000
20 mm length	0935130000
30 mm length	0935140000
Gland plates and screws - 6 mm	
Top and bottom sides (A & B), electropolished stainless steel 1.4404	1256510000
Left and right sides (C & D), electropolished stainless steel 1.4404	1256520000
Mounting screw, stainless steel 1.4404	1253230000
Mirror-polish Stainless steel 1.4301 rain hood (2R)	
	1281460000
Label holder	
70 x 70 angled stainless steel 1.4301	1279320000
130x50 stainless steel 1.4301	1283450000
100x25 stainless steel 1.4301	1257640000
Document holder	
For DIN A6 size documents	1252780000
For DIN A5 size documents	1252750000
For DIN A4 size documents	
Set of fixings	
For label holders, rain hoods and document holders (rivet)	1252190000
For plastic (Trafolyte), identification plate (screw)	1285200000
Earthing stud	
Stainless steel 1.4404	1192690000
Padlock with two keys	
Stainless steel 1.4301	0905680000

Note



Max. number of terminals (industry)

Max. number of terminals (industry)	vertical	horizontal
2.5 mm ²	3x73	4x58
4 mm ²	2x62	3x48
6 mm ²	2x46	3x36
10 mm ²	2x37	2x29
16 mm ²	2x31	2x24
35 mm ²	1x23	1x18

Note

*For enclosure versions with zero, one or two gland plates, the horizontal gap between the mounting feet is reduced by 30 mm. Assembly with terminal blocks provides for 10 mm clearance to the ends of the mounting rail. Recommended order: TS 35 mounting rail (screw terminal) WDU 2.5 1020000000 / (tension clamp terminal) ZDU 2.5 1608510000 / (tension clamp terminal) PDU 2.5 1896110000 TS 32 mounting rail (screw terminal) SAK 2.5 0279660000 TS 15 mounting rail (screw terminal) AKZ 2.5 0697160000

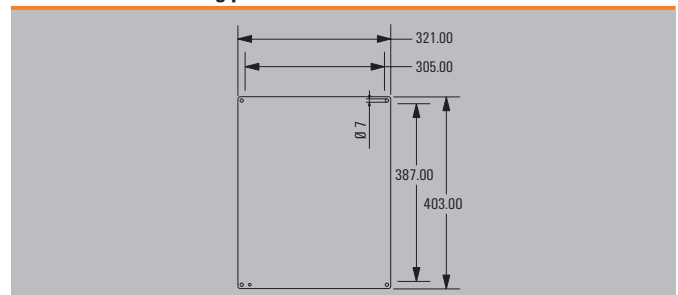
Number of cable entries

Number of cable entries	A / B	C / D
M12	50	55
M16	34	38
M20	23	24
M25	18	21
M32	10	11
M40	8	9
M50	4	4
M63	3	3
M75	2	3

Note

Our IP 68 brass cable glands are used as the reference for these guideline values.

Dimensions of mounting plate





Height/Width/Depth 480 / 480 / 150 mm

Ordering data

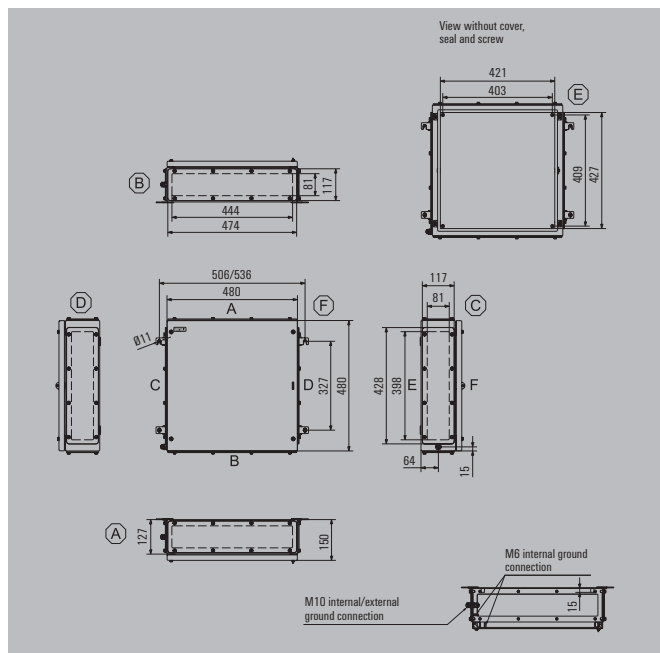
Stainless steel 1.4404 316L, electropolished	Order No.
1 gland plate - bottom side (B)	1195110000
2 gland plates - top and bottom sides (A & B)	1195120000
3 gland plates - bottom, left and right sides (B, C & D)	1195130000
4 gland plates - top, bottom, left and right sides (A, B, C & D)	1195140000

Note Painted sheet steel enclosure available on request. Standard colour is similar to RAL 7035.

Accessories

Mounting plates and fastening screws	Order No.
Steel sheet, zinc plated	1194000000
Stainless steel 1.4301	1193870000
With hole pattern, natural stainless steel 1.4301	1257710000
Fastening screws for mounting plates	0642600000
Fastening screws for terminal rails	1274150000
Stainless steel spacer M6 x 8, Set of 4	
10 mm length	0935110000
15 mm length	0935120000
20 mm length	0935130000
30 mm length	0935140000
Gland plates and screws - 6 mm	
Top and bottom sides (A & B), electropolished stainless steel 1.4404	1256530000
Left and right sides (C & D), electropolished stainless steel 1.4404	1256540000
Mounting screw, stainless steel 1.4404	1253230000
Mirror-polish Stainless steel 1.4301 rain hood (2R)	
	1281470000
Label holder	
70 x 70 angled stainless steel 1.4301	1279320000
130x50 stainless steel 1.4301	1283450000
100x25 stainless steel 1.4301	1257640000
Document holder	
For DIN A6 size documents	1252780000
For DIN A5 size documents	1252750000
For DIN A4 size documents	1252730000
Set of fixings	
For label holders, rain hoods and document holders (rivet)	1252190000
For plastic (Trafolyte), identification plate (screw)	1285200000
Earthing stud	
Stainless steel 1.4404	1192690000
Padlock with two keys	
Stainless steel 1.4301	0905680000

Note



Max. number of terminals (industry)

Max. number of terminals (industry)	vertical	horizontal
2.5 mm ²	4x78	4x77
4 mm ²	3x65	3x64
6 mm ²	3x49	3x48
10 mm ²	2x39	3x39
16 mm ²	2x33	2x32
35 mm ²	1x25	2x24



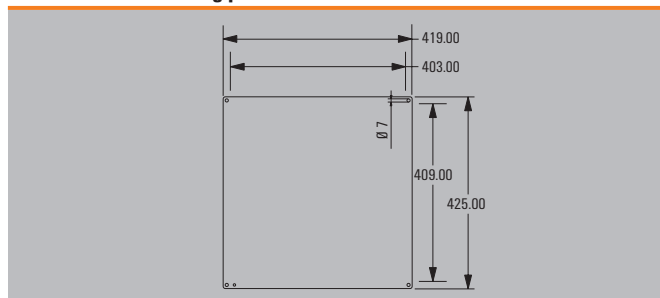
Note *For enclosure versions with zero, one or two gland plates, the horizontal gap between the mounting feet is reduced by 30 mm. Assembly with terminal blocks provides for 10 mm clearance to the ends of the mounting rail. Recommended order: TS 35 mounting rail (screw terminal) WDU 2.5 1020000000 / (tension clamp terminal) ZDU 2.5 1608510000 / (tension clamp terminal) PDU 2.5 1896110000 TS 32 mounting rail (screw terminal) SAK 2.5 0279660000 TS 15 mounting rail (screw terminal) AKZ 2.5 0697160000

Number of cable entries

Number of cable entries	A / B	C / D
M12	39	36
M16	22	20
M20	19	17
M25	8	7
M32	7	6
M40	6	5
M50	5	4
M63	0	0
M75	0	0

Note Our IP 68 brass cable glands serve as a reference for these recommended values.

Dimensions of mounting plate





Height/Width/Depth 480 / 480 / 200 mm

Ordering data

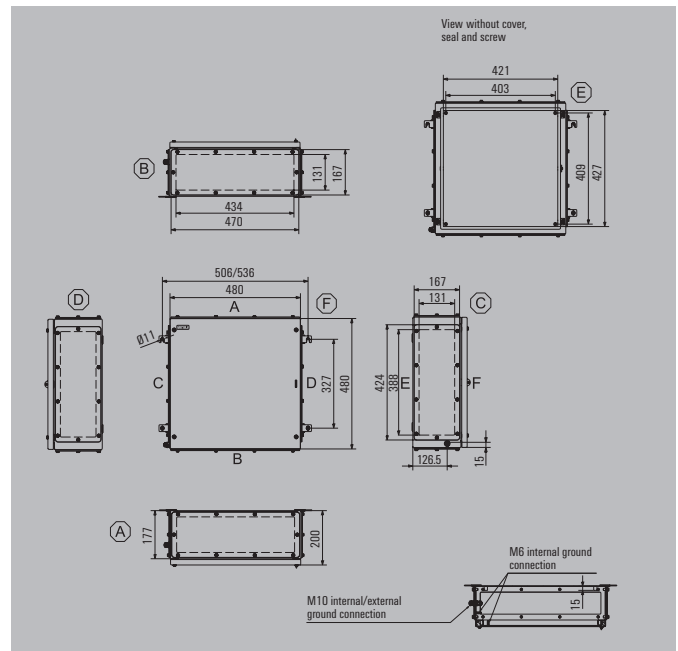
Stainless steel 1.4404 316L, electropolished	Order No.
1 gland plate - bottom side (B)	1195160000
2 gland plates - top and bottom sides (A & B)	1195170000
3 gland plates - bottom, left and right sides (B, C & D)	1195180000
4 gland plates - top, bottom, left and right sides (A, B, C & D)	1195190000

Note Painted sheet steel enclosure available on request. Standard colour is similar to RAL 7035.

Accessories

Mounting plates and fastening screws	Order No.
Steel sheet, zinc plated	1194000000
Stainless steel 1.4301	1193870000
With hole pattern, natural stainless steel 1.4301	1257710000
Fastening screws for mounting plates	0642600000
Fastening screws for terminal rails	1274150000
Stainless steel spacer M6 x 8, Set of 4	
10 mm length	0935110000
15 mm length	0935120000
20 mm length	0935130000
30 mm length	0935140000
Gland plates and screws - 6 mm	
Top and bottom sides (A & B), electropolished stainless steel 1.4404	1256550000
Left and right sides (C & D), electropolished stainless steel 1.4404	1256560000
Mounting screw, stainless steel 1.4404	1253230000
Mirror-polish Stainless steel 1.4301 rain hood (2R)	
	1281480000
Label holder	
70 x 70 angled stainless steel 1.4301	1279320000
130x50 stainless steel 1.4301	1283450000
100x25 stainless steel 1.4301	1257640000
Document holder	
For DIN A6 size documents	1252780000
For DIN A5 size documents	1252750000
For DIN A4 size documents	1252730000
Set of fixings	
For label holders, rain hoods and document holders (rivet)	1252190000
For plastic (Trafolyte), identification plate (screw)	1285200000
Earthing stud	
Stainless steel 1.4404	1192690000
Padlock with two keys	
Stainless steel 1.4301	0905680000

Note



Max. number of terminals (industry)

Max. number of terminals (industry)	vertical	horizontal
2.5 mm ²	4x78	4x77
4 mm ²	3x65	3x64
6 mm ²	3x49	3x48
10 mm ²	2x39	3x39
16 mm ²	2x33	2x32
35 mm ²	1x25	2x24



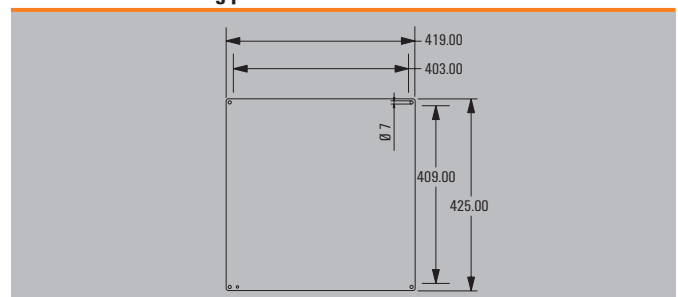
Note *For enclosure versions with zero, one or two gland plates, the horizontal gap between the mounting feet is reduced by 30 mm. Assembly with terminal blocks provides for 10 mm clearance to the ends of the mounting rail. Recommended order: TS 35 mounting rail (screw terminal) WDU 2.5 1020000000 / (tension clamp terminal) ZDU 2.5 1608510000 / (tension clamp terminal) PDU 2.5 1896110000 TS 32 mounting rail (screw terminal) SAK 2.5 0279660000 TS 15 mounting rail (screw terminal) AKZ 2.5 0697160000

Number of cable entries

Number of cable entries	A / B	C / D
M12	65	60
M16	44	40
M20	29	26
M25	24	21
M32	13	12
M40	11	10
M50	5	4
M63	4	4
M75	3	3

Note Our IP 68 brass cable glands are used as the reference for these guideline values.

Dimensions of mounting plate





Height/Width/Depth 550 / 350 / 150 mm

Ordering data

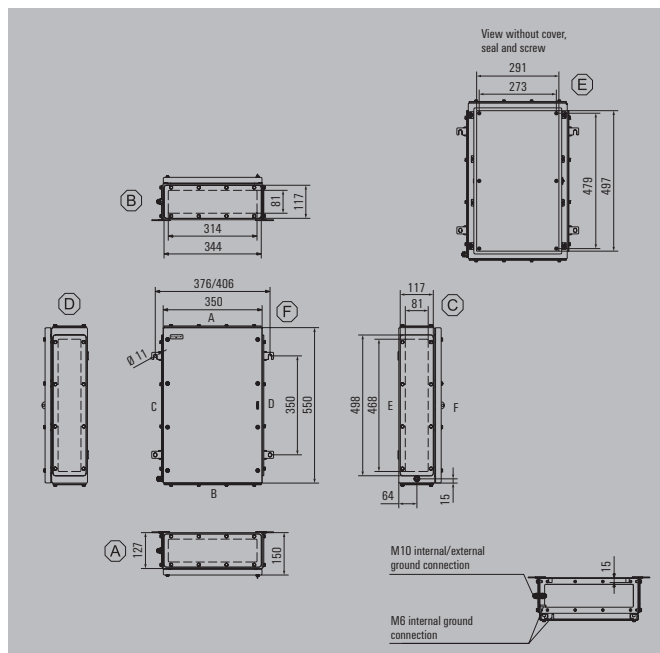
Stainless steel 1.4404 316L, electropolished	Order No.
1 gland plate - bottom side (B)	1195210000
2 gland plates - top and bottom sides (A & B)	1195220000
3 gland plates - bottom, left and right sides (B, C & D)	1195230000
4 gland plates - top, bottom, left and right sides (A, B, C & D)	1195240000

Note Painted sheet steel enclosure available on request. Standard colour is similar to RAL 7035.

Accessories

Mounting plates and fastening screws	Order No.
Steel sheet, zinc plated	1194010000
Stainless steel 1.4301	1193880000
With hole pattern, natural stainless steel 1.4301	1257720000
Fastening screws for mounting plates	0642600000
Fastening screws for terminal rails	1274150000
Stainless steel spacer M6 x 8, Set of 4	
10 mm length	0935110000
15 mm length	0935120000
20 mm length	0935130000
30 mm length	0935140000
Gland plates and screws - 6 mm	
Top and bottom sides (A & B), electropolished stainless steel 1.4404	1256570000
Left and right sides (C & D), electropolished stainless steel 1.4404	1256580000
Mounting screw, stainless steel 1.4404	1253230000
Mirror-polish Stainless steel 1.4301 rain hood (2R)	
	1281490000
Label holder	
70 x 70 angled stainless steel 1.4301	1279320000
130x50 stainless steel 1.4301	1283450000
100x25 stainless steel 1.4301	1257640000
Document holder	
For DIN A6 size documents	1252780000
For DIN A5 size documents	1252750000
For DIN A4 size documents	1252730000
Set of fixings	
For label holders, rain hoods and document holders (rivet)	1252190000
For plastic (Trafolyte), identification plate (screw)	1285200000
Earthing stud	
Stainless steel 1.4404	1192690000
Padlock with two keys	
Stainless steel 1.4301	0905680000

Note



Max. number of terminals (industry)

Max. number of terminals (industry)	vertical	horizontal
2.5 mm ²	2x91	4x52
4 mm ²	2x76	4x43
6 mm ²	2x58	4x32
10 mm ²	2x46	3x26
16 mm ²	1x39	3x22
35 mm ²	1x29	2x16



Note

*For enclosure versions with zero, one or two gland plates, the horizontal gap between the mounting feet is reduced by 30 mm. Assembly with terminal blocks provides for 10 mm clearance to the ends of the mounting rail. Recommended order: TS 35 mounting rail (screw terminal) WDU 2.5 1020000000 / (tension clamp terminal) ZDU 2.5 1608510000 / (tension clamp terminal) PDU 2.5 1896110000 TS 32 mounting rail (screw terminal) SAK 2.5 0279660000 TS 15 mounting rail (screw terminal) AKZ 2.5 0697160000

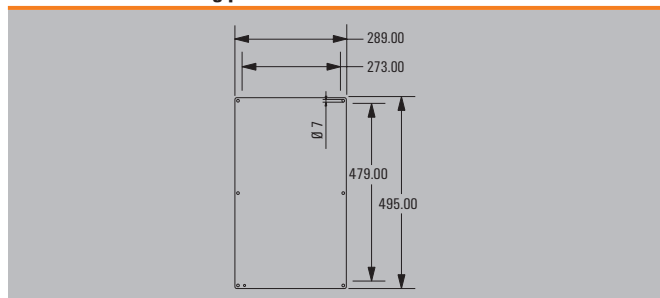
Number of cable entries

Number of cable entries	A / B	C / D
M12	27	42
M16	15	24
M20	13	20
M25	6	9
M32	5	7
M40	4	6
M50	3	5
M63	0	0
M75	0	0

Note

Our IP 68 brass cable glands are used as the reference for these guideline values.

Dimensions of mounting plate





Height/Width/Depth 550 / 350 / 200 mm

Ordering data

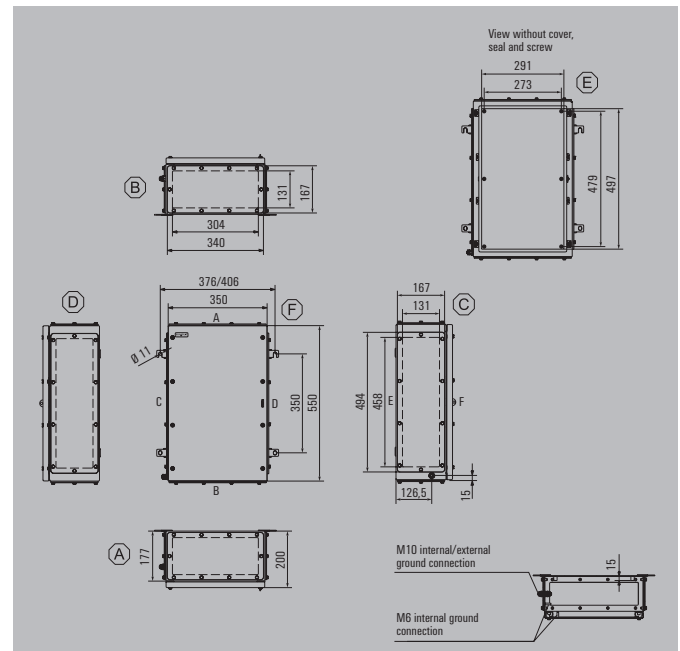
Stainless steel 1.4404 316L, electropolished	Order No.
1 gland plate - bottom side (B)	1195260000
2 gland plates - top and bottom sides (A & B)	1195270000
3 gland plates - bottom, left and right sides (B, C & D)	1195280000
4 gland plates - top, bottom, left and right sides (A, B, C & D)	1195290000

Note Painted sheet steel enclosure available on request. Standard colour is similar to RAL 7035.

Accessories

Mounting plates and fastening screws	Order No.
Steel sheet, zinc plated	1194010000
Stainless steel 1.4301	1193880000
With hole pattern, natural stainless steel 1.4301	1257720000
Fastening screws for mounting plates	0642600000
Fastening screws for terminal rails	1274150000
Stainless steel spacer M6 x 8, Set of 4	
10 mm length	0935110000
15 mm length	0935120000
20 mm length	0935130000
30 mm length	0935140000
Gland plates and screws - 6 mm	
Top and bottom sides (A & B), electropolished stainless steel 1.4404	1256590000
Left and right sides (C & D), electropolished stainless steel 1.4404	1256610000
Mounting screw, stainless steel 1.4404	1253230000
Mirror-polish Stainless steel 1.4301 rain hood (2R)	
	1281500000
Label holder	
70 x 70 angled stainless steel 1.4301	1279320000
130x50 stainless steel 1.4301	1283450000
100x25 stainless steel 1.4301	1257640000
Document holder	
For DIN A6 size documents	1252780000
For DIN A5 size documents	1252750000
For DIN A4 size documents	1252730000
Set of fixings	
For label holders, rain hoods and document holders (rivet)	1252190000
For plastic (Trafolyte), identification plate (screw)	1285200000
Earthing stud	
Stainless steel 1.4404	1192690000
Padlock with two keys	
Stainless steel 1.4301	0905680000

Note



Max. number of terminals (industry)

Max. number of terminals (industry)	vertical	horizontal
2.5 mm ²	2x91	4x52
4 mm ²	2x76	4x43
6 mm ²	2x58	4x32
10 mm ²	2x46	3x26
16 mm ²	1x39	3x22
35 mm ²	1x29	2x16



Note

*For enclosure versions with zero, one or two gland plates, the horizontal gap between the mounting feet is reduced by 30 mm. Assembly with terminal blocks provides for 10 mm clearance to the ends of the mounting rail. Recommended order: TS 35 mounting rail (screw terminal) WDU 2.5 1020000000 / (tension clamp terminal) ZDU 2.5 1608510000 / (tension clamp terminal) PDU 2.5 1896110000 TS 32 mounting rail (screw terminal) SAK 2.5 0279660000 TS 15 mounting rail (screw terminal) AKZ 2.5 0697160000

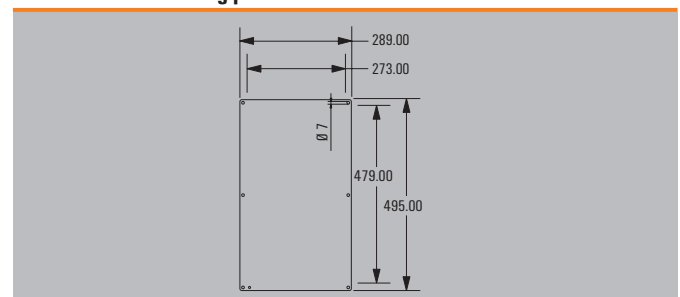
Number of cable entries

Number of cable entries	A / B	C / D
M12	45	70
M16	30	48
M20	20	30
M25	17	26
M32	9	14
M40	7	12
M50	3	5
M63	3	4
M75	2	3

Note

Our IP 68 brass cable glands serve as a reference for these recommended values.

Dimensions of mounting plate





Height/Width/Depth 620 / 450 / 150 mm

Ordering data

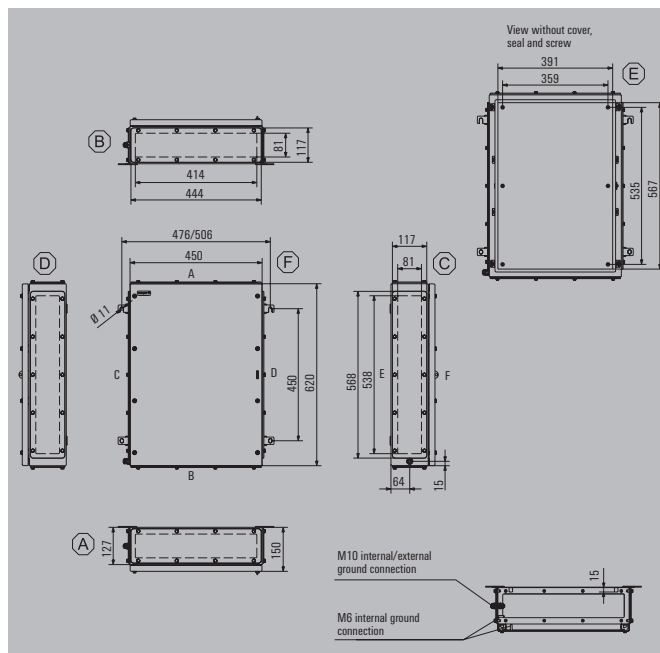
Stainless steel 1.4404 316L, electropolished	Order No.
1 gland plate - bottom side (B)	1195310000
2 gland plates - top and bottom sides (A & B)	1195320000
3 gland plates - bottom, left and right sides (B, C & D)	1195330000
4 gland plates - top, bottom, left and right sides (A, B, C & D)	1195340000

Note Painted sheet steel enclosure available on request. Standard colour is similar to RAL 7035.

Accessories

Mounting plates and fastening screws	Order No.
Steel sheet, zinc plated	1194020000
Stainless steel 1.4301	1193890000
With hole pattern, natural stainless steel 1.4301	1257740000
Fastening screws for mounting plates	0642600000
Fastening screws for terminal rails	1274150000
Stainless steel spacer M6 x 8, Set of 4	
10 mm length	0935110000
15 mm length	0935120000
20 mm length	0935130000
30 mm length	0935140000
Gland plates and screws - 6 mm	
Top and bottom sides (A & B), electropolished stainless steel 1.4404	1256620000
Left and right sides (C & D), electropolished stainless steel 1.4404	1256630000
Mounting screw, stainless steel 1.4404	1253230000
Mirror-polish Stainless steel 1.4301 rain hood (2R)	
	1281510000
Label holder	
70 x 70 angled stainless steel 1.4301	1279320000
130x50 stainless steel 1.4301	1283450000
100x25 stainless steel 1.4301	1257640000
Document holder	
For DIN A6 size documents	1252780000
For DIN A5 size documents	1252750000
For DIN A4 size documents	1252730000
Set of fixings	
For label holders, rain hoods and document holders (rivet)	1252190000
For plastic (Trafolyte), identification plate (screw)	1285200000
Earthing stud	
Stainless steel 1.4404	1192690000
Padlock with two keys	
Stainless steel 1.4301	0905680000

Note



Max. number of terminals (industry)

Max. number of terminals (industry)	vertical	horizontal
2.5 mm ²	3x105	5x71
4 mm ²	3x88	5x59
6 mm ²	3x66	4x45
10 mm ²	2x53	4x36
16 mm ²	2x44	3x30
35 mm ²	1x33	2x22



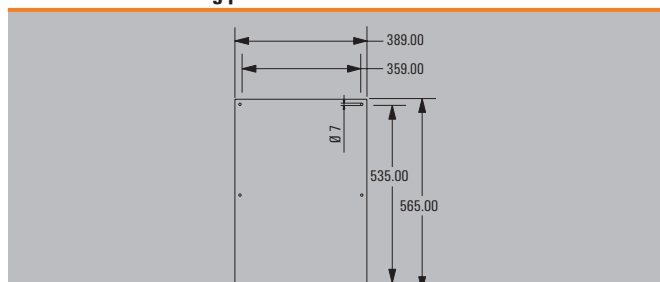
Note *For enclosure versions with zero, one or two gland plates, the horizontal gap between the mounting feet is reduced by 30 mm. Assembly with terminal blocks provides for 10 mm clearance to the ends of the mounting rail. Recommended order: TS 35 mounting rail (screw terminal) WDU 2.5 1020000000 / (tension clamp terminal) ZDU 2.5 1608510000 / (tension clamp terminal) PDU 2.5 1896110000 TS 32 mounting rail (screw terminal) SAK 2.5 0279660000 TS 15 mounting rail (screw terminal) AKZ 2.5 0697160000

Number of cable entries

Number of cable entries	A / B	C / D
M12	38	48
M16	21	27
M20	18	24
M25	8	10
M32	6	9
M40	5	7
M50	4	6
M63	0	0
M75	0	0

Note Our IP 68 brass cable glands serve as a reference for these recommended values.

Dimensions of mounting plate



Klippon® TB MH 624520

Depth 200 mm



Height/Width/Depth 620 / 450 / 200 mm

Ordering data

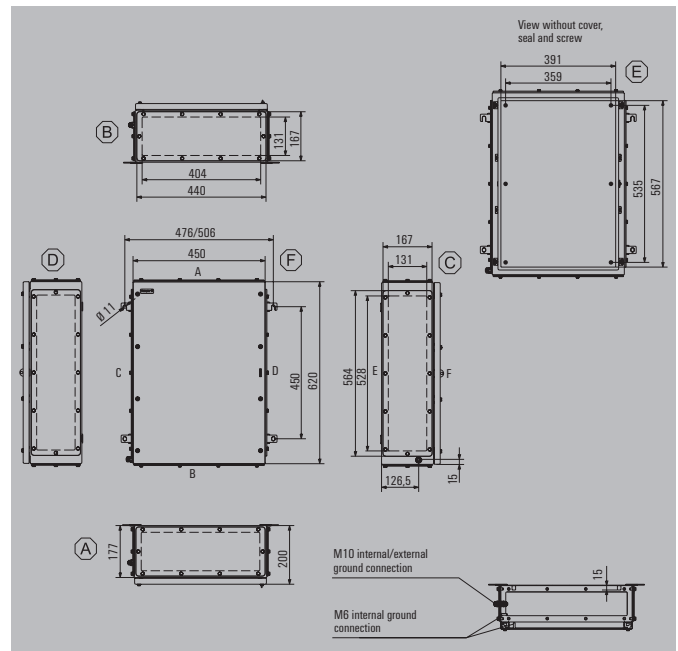
Stainless steel 1.4404 316L, electropolished	Order No.
1 gland plate - bottom side (B)	1195360000
2 gland plates - top and bottom sides (A & B)	1195370000
3 gland plates - bottom, left and right sides (B, C & D)	1195380000
4 gland plates - top, bottom, left and right sides (A, B, C & D)	1195390000

Note Painted sheet steel enclosure available on request. Standard colour is similar to RAL 7035.

Accessories

Mounting plates and fastening screws	Order No.
Steel sheet, zinc plated	1194020000
Stainless steel 1.4301	1193890000
With hole pattern, natural stainless steel 1.4301	1257740000
Fastening screws for mounting plates	0642600000
Fastening screws for terminal rails	1274150000
Stainless steel spacer M6 x 8, Set of 4	
10 mm length	0935110000
15 mm length	0935120000
20 mm length	0935130000
30 mm length	0935140000
Gland plates and screws - 6 mm	
Top and bottom sides (A & B), electropolished stainless steel 1.4404	1256640000
Left and right sides (C & D), electropolished stainless steel 1.4404	1256650000
Mounting screw, stainless steel 1.4404	1253230000
Mirror-polish Stainless steel 1.4301 rain hood (2R)	
	1281520000
Label holder	
70 x 70 angled stainless steel 1.4301	1279320000
130x50 stainless steel 1.4301	1283450000
100x25 stainless steel 1.4301	1257640000
Document holder	
For DIN A6 size documents	1252780000
For DIN A5 size documents	1252750000
For DIN A4 size documents	1252730000
Set of fixings	
For label holders, rain hoods and document holders (rivet)	1252190000
For plastic (Trafolyte), identification plate (screw)	1285200000
Earthing stud	
Stainless steel 1.4404	1192690000
Padlock with two keys	
Stainless steel 1.4301	0905680000

Note



Max. number of terminals (industry)

Max. number of terminals (industry)	vertical	horizontal
2.5 mm ²	3x105	5x71
4 mm ²	3x88	5x59
6 mm ²	3x66	4x45
10 mm ²	2x53	4x36
16 mm ²	2x44	3x30
35 mm ²	1x33	2x22

Note

*For enclosure versions with zero, one or two gland plates, the horizontal gap between the mounting feet is reduced by 30 mm. Assembly with terminal blocks provides for 10 mm clearance to the ends of the mounting rail. Recommended order: TS 35 mounting rail (screw terminal) WDU 2.5 1020000000 / (tension clamp terminal) ZDU 2.5 1608510000 / (tension clamp terminal) PDU 2.5 1896110000 TS 32 mounting rail (screw terminal) SAK 2.5 0279660000 TS 15 mounting rail (screw terminal) AKZ 2.5 0697160000

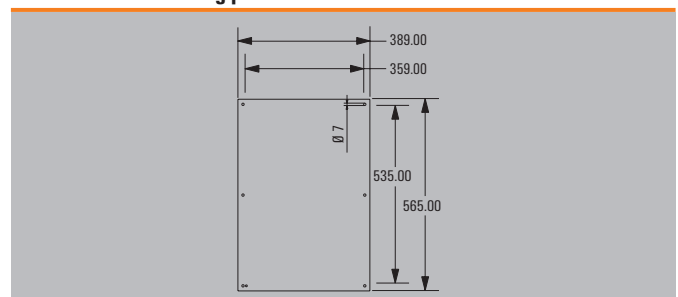
Number of cable entries

Number of cable entries	A / B	C / D
M12	63	80
M16	42	54
M20	27	36
M25	23	30
M32	12	17
M40	10	14
M50	4	6
M63	4	5
M75	3	4

Note

Our IP 68 brass cable glands are used as the reference for these guideline values.

Dimensions of mounting plate





Height/Width/Depth 762 / 508 / 150 mm

Ordering data

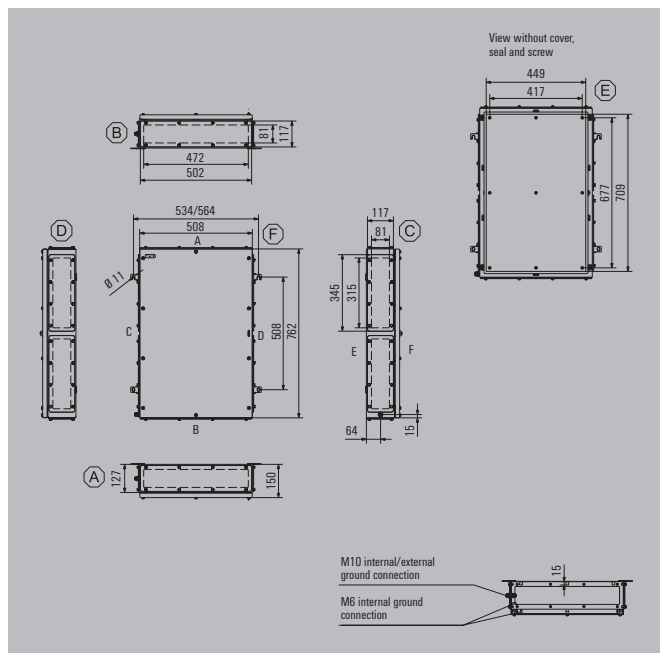
Stainless steel 1.4404 316L, electropolished	Order No.
1 gland plate - bottom side (B)	1195410000
2 gland plates - top and bottom sides (A & B)	1195420000
3 gland plates - bottom, left and right sides (B, C & D)	1195430000
4 gland plates - top, bottom, left and right sides (A, B, C & D)	1195440000

Note Painted sheet steel enclosure available on request. Standard colour is similar to RAL 7035.

Accessories

Mounting plates and fastening screws	Order No.
Steel sheet, zinc plated	1194030000
Stainless steel 1.4301	1193900000
With hole pattern, natural stainless steel 1.4301	1257750000
Fastening screws for mounting plates	0642600000
Fastening screws for terminal rails	1274150000
Stainless steel spacer M6 x 8, Set of 4	
10 mm length	0935110000
15 mm length	0935120000
20 mm length	0935130000
30 mm length	0935140000
Gland plates and screws - 6 mm	
Top and bottom sides (A & B), electropolished stainless steel 1.4404	1256660000
Left and right sides (C & D), electropolished stainless steel 1.4404	1256670000
Mounting screw, stainless steel 1.4404	1253230000
Mirror-polish Stainless steel 1.4301 rain hood (2R)	
	1281530000
Label holder	
70 x 70 angled stainless steel 1.4301	1279320000
130x50 stainless steel 1.4301	1283450000
100x25 stainless steel 1.4301	1257640000
Document holder	
For DIN A6 size documents	1252780000
For DIN A5 size documents	1252750000
For DIN A4 size documents	1252730000
Set of fixings	
For label holders, rain hoods and document holders (rivet)	1252190000
For plastic (Trafolyte), identification plate (screw)	1285200000
Earthing stud	
Stainless steel 1.4404	1192690000
Padlock with two keys	
Stainless steel 1.4301	0905680000

Note



Max. number of terminals (industry)

Max. number of terminals (industry)	vertical	horizontal
2.5 mm ²	4x132	7x82
4 mm ²	4x111	6x69
6 mm ²	3x83	5x52
10 mm ²	3x67	5x42
16 mm ²	2x56	4x35
35 mm ²	2x42	3x26



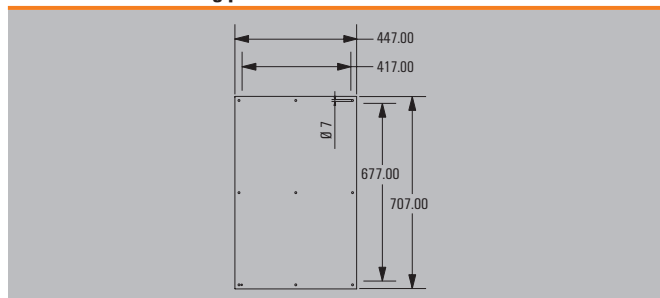
Note *For enclosure versions with zero, one or two gland plates, the horizontal gap between the mounting feet is reduced by 30 mm. Assembly with terminal blocks provides for 10 mm clearance to the ends of the mounting rail. Recommended order: TS 35 mounting rail (screw terminal) WDU 2.5 1020000000 / (tension clamp terminal) ZDU 2.5 1608510000 / (tension clamp terminal) PDU 2.5 1896110000 TS 32 mounting rail (screw terminal) SAK 2.5 0279660000 TS 15 mounting rail (screw terminal) AKZ 2.5 0697160000

Number of cable entries

Number of cable entries	A / B	C / D
M12	42	58
M16	24	32
M20	21	26
M25	9	12
M32	7	10
M40	6	8
M50	5	6
M63	0	0
M75	0	0

Note Our IP 68 brass cable glands serve as a reference for these recommended values.

Dimensions of mounting plate





Height/Width/Depth 762 / 508 / 200 mm

Ordering data

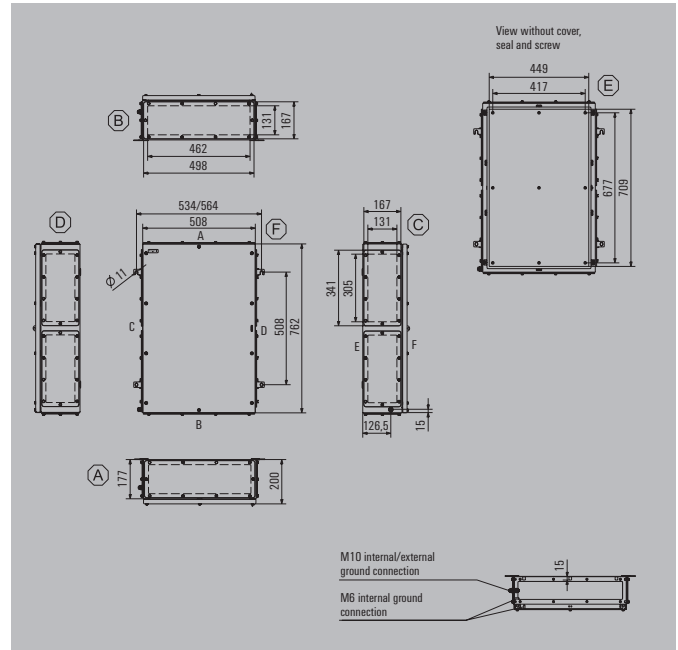
Stainless steel 1.4404 316L, electropolished	Order No.
1 gland plate - bottom side (B)	1195460000
2 gland plates - top and bottom sides (A & B)	1195470000
3 gland plates - bottom, left and right sides (B, C & D)	1195480000
4 gland plates - top, bottom, left and right sides (A, B, C & D)	1195490000

Note Painted sheet steel enclosure available on request. Standard colour is similar to RAL 7035.

Accessories

Mounting plates and fastening screws	Order No.
Steel sheet, zinc plated	1194030000
Stainless steel 1.4301	1193900000
With hole pattern, natural stainless steel 1.4301	1257750000
Fastening screws for mounting plates	0642600000
Fastening screws for terminal rails	1274150000
Stainless steel spacer M6 x 8, Set of 4	
10 mm length	0935110000
15 mm length	0935120000
20 mm length	0935130000
30 mm length	0935140000
Gland plates and screws - 6 mm	
Top and bottom sides (A & B), electropolished stainless steel 1.4404	1256680000
Left and right sides (C & D), electropolished stainless steel 1.4404	1256690000
Mounting screw, stainless steel 1.4404	1253230000
Mirror-polish Stainless steel 1.4301 rain hood (2R)	
	1281540000
Label holder	
70 x 70 angled stainless steel 1.4301	1279320000
130x50 stainless steel 1.4301	1283450000
100x25 stainless steel 1.4301	1257640000
Document holder	
For DIN A6 size documents	1252780000
For DIN A5 size documents	1252750000
For DIN A4 size documents	1252730000
Set of fixings	
For label holders, rain hoods and document holders (rivet)	1252190000
For plastic (Trafolyte), identification plate (screw)	1285200000
Earthing stud	
Stainless steel 1.4404	1192690000
Padlock with two keys	
Stainless steel 1.4301	0905680000

Note



Max. number of terminals (industry)

Max. number of terminals (industry)	vertical	horizontal
2.5 mm ²	4x132	7x82
4 mm ²	4x111	6x69
6 mm ²	3x83	5x52
10 mm ²	3x67	5x42
16 mm ²	2x56	4x35
35 mm ²	2x42	3x26

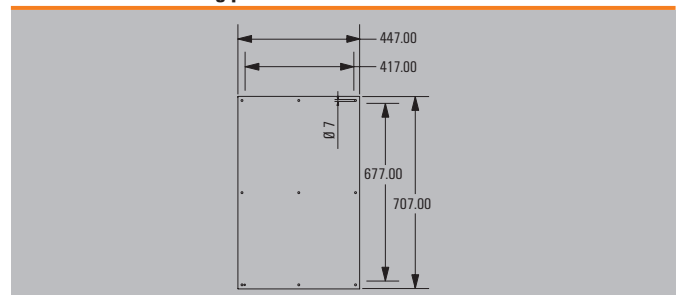
Note *For enclosure versions with zero, one or two gland plates, the horizontal gap between the mounting feet is reduced by 30 mm. Assembly with terminal blocks provides for 10 mm clearance to the ends of the mounting rail. Recommended order: TS 35 mounting rail (screw terminal) WDU 2.5 1020000000 / (tension clamp terminal) ZDU 2.5 1608510000 / (tension clamp terminal) PDU 2.5 1896110000 TS 32 mounting rail (screw terminal) SAK 2.5 0279660000 TS 15 mounting rail (screw terminal) AKZ 2.5 0697160000

Number of cable entries

Number of cable entries	A / B	C / D
M12	70	96
M16	48	64
M20	32	40
M25	26	34
M32	14	18
M40	12	14
M50	5	6
M63	4	6
M75	3	4

Note Our IP 68 brass cable glands are used as the reference for these guideline values.

Dimensions of mounting plate





Height/Width/Depth 914 / 610 / 150 mm

Ordering data

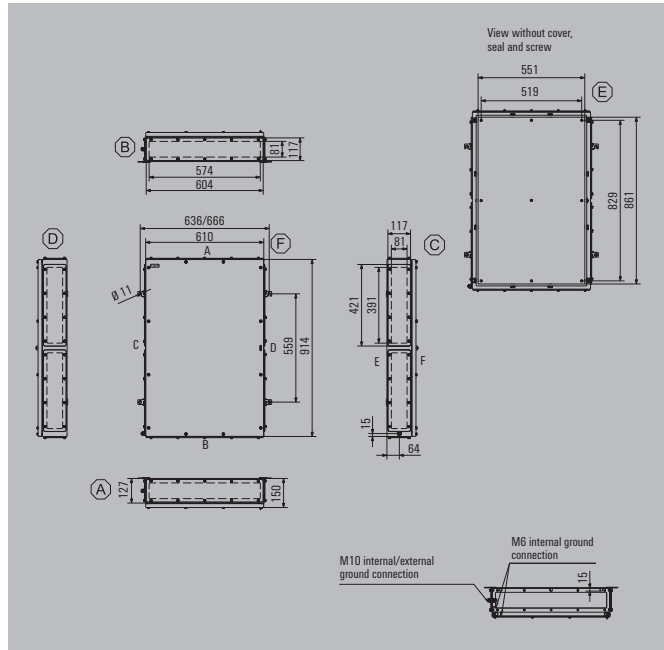
Stainless steel 1.4404 316L, electropolished	Order No.
1 gland plate - bottom side (B)	1195510000
2 gland plates - top and bottom sides (A & B)	1195520000
3 gland plates - bottom, left and right sides (B, C & D)	1195530000
4 gland plates - top, bottom, left and right sides (A, B, C & D)	1195540000

Note Painted sheet steel enclosure available on request. Standard colour is similar to RAL 7035.

Accessories

Mounting plates and fastening screws	Order No.
Steel sheet, zinc plated	1194040000
Stainless steel 1.4301	1193910000
With hole pattern, natural stainless steel 1.4301	1257760000
Fastening screws for mounting plates	0642600000
Fastening screws for terminal rails	1274150000
Stainless steel spacer M6 x 8, Set of 4	
10 mm length	0935110000
15 mm length	0935120000
20 mm length	0935130000
30 mm length	0935140000
Gland plates and screws - 6 mm	
Top and bottom sides (A & B), electropolished stainless steel 1.4404	1256710000
Left and right sides (C & D), electropolished stainless steel 1.4404	1256720000
Mounting screw, stainless steel 1.4404	1253230000
Mirror-polish Stainless steel 1.4301 rain hood (2R)	
	1281550000
Label holder	
70 x 70 angled stainless steel 1.4301	1279320000
130x50 stainless steel 1.4301	1283450000
100x25 stainless steel 1.4301	1257640000
Document holder	
For DIN A6 size documents	1252780000
For DIN A5 size documents	1252750000
For DIN A4 size documents	1252730000
Set of fixings	
For label holders, rain hoods and document holders (rivet)	1252190000
For plastic (Trafolyte), identification plate (screw)	1285200000
Earthing stud	
Stainless steel 1.4404	1192690000
Padlock with two keys	
Stainless steel 1.4301	0905680000

Note



Max. number of terminals (industry)

Max. number of terminals (industry)	vertical	horizontal
2.5 mm ²	5x161	8x102
4 mm ²	4x135	7x85
6 mm ²	4x102	7x64
10 mm ²	3x82	6x52
16 mm ²	3x68	5x43
35 mm ²	2x51	4x32

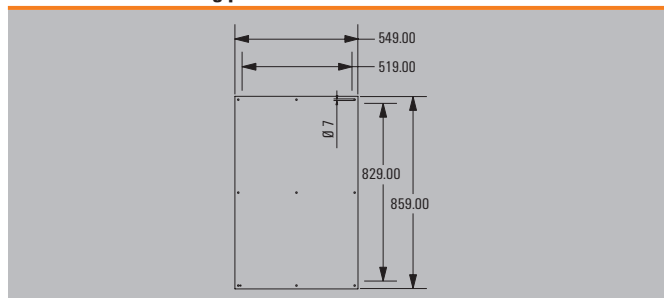
Note *For enclosure versions with zero, one or two gland plates, the horizontal gap between the mounting feet is reduced by 30 mm. Assembly with terminal blocks provides for 10 mm clearance to the ends of the mounting rail. Recommended order: TS 35 mounting rail (screw terminal) WDU 2.5 1020000000 / (tension clamp terminal) ZDU 2.5 1608510000 / (tension clamp terminal) PDU 2.5 1896110000 TS 32 mounting rail (screw terminal) SAK 2.5 0279660000 TS 15 mounting rail (screw terminal) AKZ 2.5 0697160000

Number of cable entries

Number of cable entries	A / B	C / D
M12	53	70
M16	29	40
M20	25	34
M25	11	14
M32	9	12
M40	8	10
M50	6	8
M63	0	0
M75	0	0

Note Our IP 68 brass cable glands serve as a reference for these recommended values.

Dimensions of mounting plate





Height/Width/Depth 914 / 610 / 200 mm

Ordering data

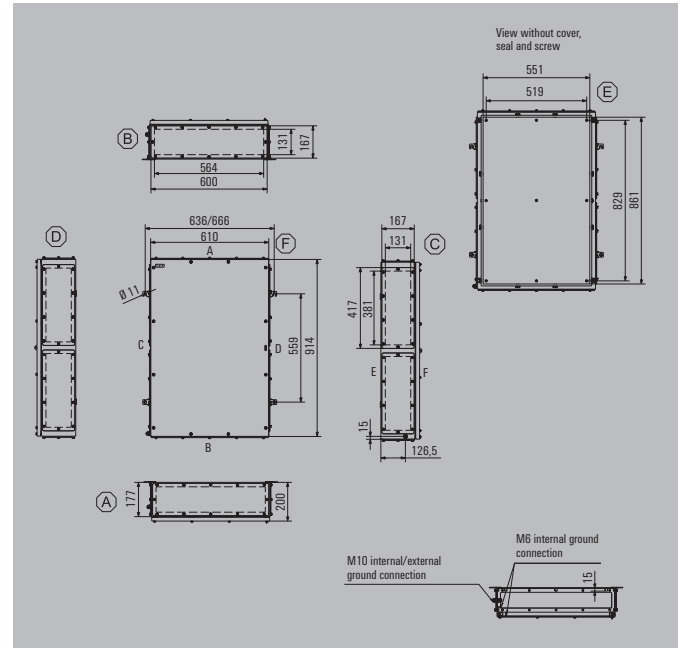
Stainless steel 1.4404 316L, electropolished	Order No.
1 gland plate - bottom side (B)	1195560000
2 gland plates - top and bottom sides (A & B)	1195570000
3 gland plates - bottom, left and right sides (B, C & D)	1195580000
4 gland plates - top, bottom, left and right sides (A, B, C & D)	1195590000

Note Painted sheet steel enclosure available on request. Standard colour is similar to RAL 7035.

Accessories

Mounting plates and fastening screws	Order No.
Steel sheet, zinc plated	1194040000
Stainless steel 1.4301	1193910000
With hole pattern, natural stainless steel 1.4301	1257760000
Fastening screws for mounting plates	0642600000
Fastening screws for terminal rails	1274150000
Stainless steel spacer M6 x 8, Set of 4	
10 mm length	0935110000
15 mm length	0935120000
20 mm length	0935130000
30 mm length	0935140000
Gland plates and screws - 6 mm	
Top and bottom sides (A & B), electropolished stainless steel 1.4404	1256730000
Left and right sides (C & D), electropolished stainless steel 1.4404	1256740000
Mounting screw, stainless steel 1.4404	1253230000
Mirror-polish Stainless steel 1.4301 rain hood (2R)	
	1281570000
Label holder	
70 x 70 angled stainless steel 1.4301	1279320000
130x50 stainless steel 1.4301	1283450000
100x25 stainless steel 1.4301	1257640000
Document holder	
For DIN A6 size documents	1252780000
For DIN A5 size documents	1252750000
For DIN A4 size documents	1252730000
Set of fixings	
For label holders, rain hoods and document holders (rivet)	1252190000
For plastic (Trafolyte), identification plate (screw)	1285200000
Earthing stud	
Stainless steel 1.4404	1192690000
Padlock with two keys	
Stainless steel 1.4301	0905680000

Note



Max. number of terminals (industry)

Max. number of terminals (industry)	vertical	horizontal
2.5 mm ²	5x161	8x102
4 mm ²	4x135	7x85
6 mm ²	4x102	7x64
10 mm ²	3x82	6x52
16 mm ²	3x68	5x43
35 mm ²	2x51	4x32

Note

*For enclosure versions with zero, one or two gland plates, the horizontal gap between the mounting feet is reduced by 30 mm. Assembly with terminal blocks provides for 10 mm clearance to the ends of the mounting rail. Recommended order: TS 35 mounting rail (screw terminal) WDU 2.5 1020000000 / (tension clamp terminal) ZDU 2.5 1608510000 / (tension clamp terminal) PDU 2.5 1896110000 TS 32 mounting rail (screw terminal) SAK 2.5 0279660000 TS 15 mounting rail (screw terminal) AKZ 2.5 0697160000

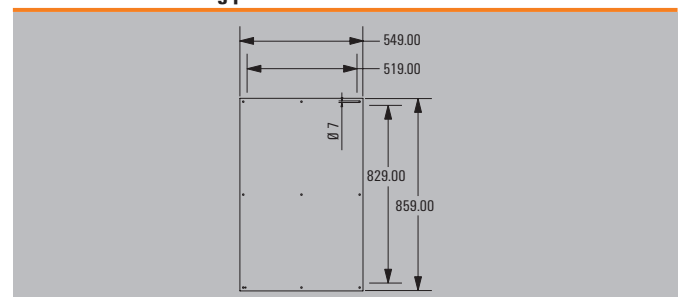
Number of cable entries

Number of cable entries	A / B	C / D
M12	88	116
M16	58	80
M20	38	52
M25	33	42
M32	18	24
M40	15	20
M50	6	8
M63	5	6
M75	4	6

Note

Our IP 68 brass cable glands are used as the reference for these guideline values.

Dimensions of mounting plate





Height/Width/Depth 980 / 740 / 200 mm

Ordering data

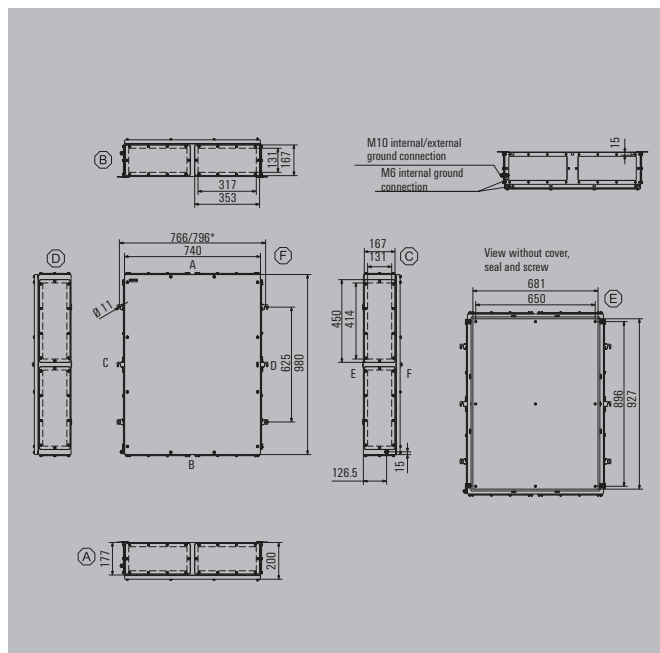
Stainless steel 1.4404 316L, electropolished	Order No.
1 gland plate - bottom side (B)	1195610000
2 gland plates - top and bottom sides (A & B)	1195620000
3 gland plates - bottom, left and right sides (B, C & D)	1195630000
4 gland plates - top, bottom, left and right sides (A, B, C & D)	1195640000

Note Painted sheet steel enclosure available on request. Standard colour is similar to RAL 7035.

Accessories

Mounting plates and fastening screws	Order No.
Steel sheet, zinc plated	1194050000
Stainless steel 1.4301	1193920000
With hole pattern, natural stainless steel 1.4301	1257770000
Fastening screws for mounting plates	0642600000
Fastening screws for terminal rails	1274150000
Stainless steel spacer M6 x 8, Set of 4	
10 mm length	0935110000
15 mm length	0935120000
20 mm length	0935130000
30 mm length	0935140000
Gland plates and screws - 6 mm	
Top and bottom sides (A & B), electropolished stainless steel 1.4404	1256750000
Left and right sides (C & D), electropolished stainless steel 1.4404	1256760000
Mounting screw, stainless steel 1.4404	1253230000
Mirror-polish Stainless steel 1.4301 rain hood (2R)	
	1281580000
Label holder	
70 x 70 angled stainless steel 1.4301	1279320000
130x50 stainless steel 1.4301	1283450000
100x25 stainless steel 1.4301	1257640000
Document holder	
For DIN A6 size documents	1252780000
For DIN A5 size documents	1252750000
For DIN A4 size documents	1252730000
Set of fixings	
For label holders, rain hoods and document holders (rivet)	1252190000
For plastic (Trafolyte), identification plate (screw)	1285200000
Earthing stud	
Stainless steel 1.4404	1192690000
Padlock with two keys	
Stainless steel 1.4301	0905680000

Note



Max. number of terminals (industry)

Max. number of terminals (industry)	vertical	horizontal
2.5 mm ²	6x174	9x127
4 mm ²	6x146	8x106
6 mm ²	5x110	7x80
10 mm ²	4x88	6x64
16 mm ²	4x74	5x54
35 mm ²	3x55	4x40



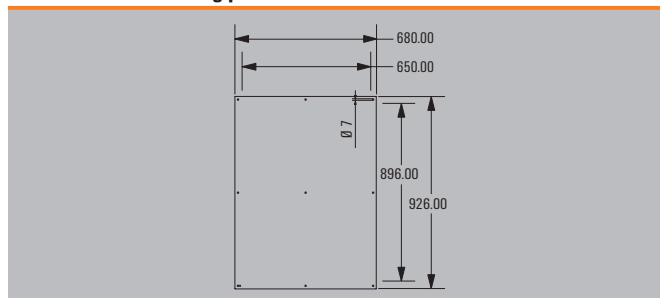
Note *For enclosure versions with zero, one or two gland plates, the horizontal gap between the mounting feet is reduced by 30 mm. Assembly with terminal blocks provides for 10 mm clearance to the ends of the mounting rail. Recommended order: TS 35 mounting rail (screw terminal) WDU 2.5 1020000000 / (tension clamp terminal) ZDU 2.5 1608510000 / (tension clamp terminal) PDU 2.5 1896110000 TS 32 mounting rail (screw terminal) SAK 2.5 0279660000 TS 15 mounting rail (screw terminal) AKZ 2.5 0697160000

Number of cable entries

Number of cable entries	A / B	C / D
M12	96	126
M16	64	84
M20	42	54
M25	36	48
M32	20	26
M40	16	22
M50	6	10
M63	6	8
M75	4	6

Note Our IP 68 brass cable glands serve as a reference for these recommended values.

Dimensions of mounting plate



Klippon® TB QL - Quarter Lock

Steel enclosures

for use in industrial and in explosive hazard areas

The Klippon® TB enclosure range features excellent performance characteristics, even under the most difficult environmental conditions, and comply with the stricter requirements of explosive hazard areas found in the process or power generation industries. The Klippon® TB QL enclosure range offers further improvements to a product line that is already successfully leading the market.

Weidmüller can manufacture and supply this enclosure to match customer specifications and fitted with all necessary terminals and cable glands.



Overview of enclosures

Ordering data

Description	Length x width x depth in mm	1 Gland Plate (below)	2 Gland Plates (above + below)	3 Gland Plates (below + sides)	4 Gland Plates (all sides)
KTB QL 221513 S4E_*	229 x 152 x 133	1199860000	1199870000	1199880000	1199890000
KTB QL 262615 S4E_*	260 x 260 x 150	1199910000	1199920000	1199930000	1199940000
KTB QL 262620 S4E_*	260 x 260 x 200	1199960000	1199970000	1199980000	1199990000
KTB QL 303015 S4E_*	306 x 306 x 150	1200020000	1200030000	1200040000	1200050000
KTB QL 303020 S4E_*	306 x 306 x 200	1200070000	1200080000	1200090000	1200100000
KTB QL 352615 S4E_*	350 x 260 x 150	1200120000	1200130000	1200140000	1200150000
KTB QL 352620 S4E_*	350 x 260 x 200	1200170000	1200180000	1200190000	1200210000
KTB QL 403015 S4E_*	400 x 300 x 150	1200230000	1200240000	1200250000	1200260000
KTB QL 403020 S4E_*	400 x 300 x 200	1200280000	1200290000	1200310000	1200320000
KTB QL 453815 S4E_*	458 x 382 x 150	1200340000	1200350000	1200360000	1200370000
KTB QL 453820 S4E_*	458 x 382 x 200	1200390000	1200410000	1200420000	1200430000
KTB QL 484815 S4E_*	480 x 480 x 150	1200450000	1200460000	1200470000	1200480000
KTB QL 484820 S4E_*	480 x 480 x 200	1200510000	1200520000	1200530000	1200540000
KTB QL 553515 S4E_*	550 x 350 x 150	1200560000	1200570000	1200580000	1200590000
KTB QL 553520 S4E_*	550 x 350 x 200	1200620000	1200630000	1200640000	1200650000
KTB QL 624515 S4E_*	620 x 450 x 150	1200670000	1200680000	1200690000	1200710000
KTB QL 624520 S4E_*	620 x 450 x 200	1200730000	1200740000	1200750000	1200760000
KTB QL 765015 S4E_*	762 x 508 x 150	1200780000	1200790000	1200810000	1200820000
KTB QL 765020 S4E_*	762 x 508 x 200	1200840000	1200850000	1200860000	1200870000
KTB QL 916115 S4E_*	914 x 610 x 150	1200890000	1200910000	1200920000	1200930000
KTB QL 916120 S4E_*	914 x 610 x 200	1200950000	1200960000	1200970000	1200980000
KTB QL 987420 S4E_*	980 x 740 x 200	1201010000	1201020000	1201030000	1201040000

Note

* Placeholder for the number of gland plates (1, 2, 3, 4). Klippon® TB QL enclosures are available without gland plates on request.

Technical Overview

Features

- Available in 12 sizes and 3 standard depths
- Equipped with up to 4 gland plates
- The gasket is protected against compression
- Quick-locking lid, comes with a slot as standard
- Improved temperature performance
- IP66 protection class
- Earth studs in enclosure cover and bottom section
- Welded mounting feet

Note

Technical data

Enclosure material**	Stainless steel 1.4404 (316L) 1.5 mm
Surface finish	Electropolished
IP protection class	IP 66 to IEC EN 60079-0
NEMA protection classes	3, 4x, 12
Gland plates	1 - 4 (fixed with M6 hexagon head screws and 10 mm heads), optionally without a gland plate
Gland plate thickness	3 mm (other thickness of up to 20 mm are available on request)
Earthing inside	Enclosure base and lid: welded M6 stainless steel earth studs
Earthing outside	Continuous M10 brass earth stud (optionally with stainless-steel earth stud)
Installation mounting	4 or 9 mounting bolts with M6 threaded holes to attach the mounting plate or mounting rails
Enclosure attachment	4 welded mounting feet with 11-mm holes (2 slotted and 2 cross-shaped openings)
Lid opening	Can be removed completely, lid opening angle 130 °
Cover attachment	Quarter-turn lock with slotted insert (other inserts available on request)
Impact resistance	7 J ATEX applications, 10 J industrial applications
Gasket material	Silicone
Operating temperature range	-60 °C...+135 °C
Lid screws, torque*	2.5 Nm
Note	* For screwing on the cover, we recommend our hexagon 10 mm socket wrench (9009070000) ** Painted steel enclosures are available on request.

Approvals for empty enclosures

ATEX certificate	KEMA 10ATEX0047 U
ATEX marking	II 2 G Ex e IIC Gb II 2 D Ex tb IIIC Db IP66
IECEx certificate	IECEx KEM 10.0016U
IECEx marking	Ex e IIC Gb Ex tb IIIC Db IP66
GOST Ex	POCC DE.ME92.802036
cULus	E243298
Germanischer Lloyd	11534 - 10 HH
Russian Maritime Register	10.04095.250
INMETRO	In preparation
Note	The Klippon® TB QL enclosure range can be pre-fitted in our customer specific production department according to your wishes; as an example, terminals, or other approved components, can be installed as required.

Approvals for control and distribution box

ATEX certificate	KEMA 10ATEX0051
ATEX marking	II 2 G Ex eb IIC T6...T4 II 1 G Ex ia IIC T6...T4 II 2(1) G Ex eb ia IIC T6...T4 II 2 D Ex tb IIIC T85 °C...T135 °C IP66
IECEx certificate	IECEx KEM 10.0020
IECEx marking	Ex eb IIC T... Ex ia IIC T... Ex eb ia IIC T... Ex tb IIIC T85 °C...T135 °C IP66
Note	Labelling depends on the application layout.

Integrate, expand and customise: the perfect supplement to every application

The fully structured range of system accessories for the Klippon® TB enclosure range allows you to easily adapt the enclosure to meet the specific requirements of every application.

The following options are available:

1 Document holder

Document holders for storage of important documents in the enclosure.

2 Earthing studs

Earthing studs are replaceable. Available in two versions – brass and stainless steel.

3 Gland plates

Gland plates are available as spares and also in various material thicknesses.

4 Mounting plates

Mounting plates with and without a drilling pattern, for horizontal and vertical mounting of rails, or components fitted directly.

5 Mounting hardware kits

Mounting hardware kits are available for quick and easy installation of label holders, mounting plates, gland plates, document holders and rain hoods.

6 Door stay

A door stay prevent the door from being closed unintentionally, regardless of the mounting position of the enclosure. This item is **only** available Ex-works.

7 Locking systems

Various locking systems are available for the safe securing of the enclosure. There are padlocks for the Klippon® TB MH enclosures and a range of lock inserts for the Klippon® TB QL enclosures.

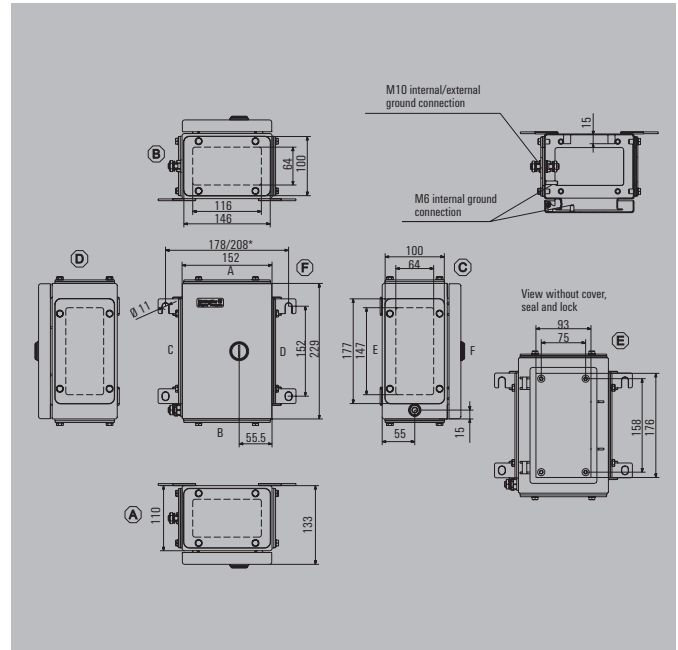
8 Type label holder

A range of label holders are available for product identification.

9 Rain hoods

The rain hood provides an ideal, additional level of protection for the enclosure. Particularly useful against heavy rainfall or extreme levels of direct sunlight.





Height/Width/Depth 229 / 152 / 133 mm

Ordering data

Stainless steel 1.4404 316L, electropolished	Order No.
1 gland plate - bottom	1199860000
2 gland plates - top and bottom sides (A & B)	1199870000
3 gland plates - bottom, left and right sides (B, C & D)	1199880000
4 gland plates - top, bottom, left and right sides (A, B, C & D)	1199890000

Note Painted sheet steel enclosure available on request. Standard colour is similar to RAL 7035.

Accessories

Mounting plates and fastening screws	Order No.
Steel sheet, zinc plated	1193930000
Stainless steel 1.4301	1193810000
With hole pattern, natural stainless steel 1.4301	1257650000
Fastening screws for mounting plates	0642600000
Fastening screws for terminal rails	1274150000
Stainless steel spacer M6 x 8, Set of 4	
10 mm length	0935110000
15 mm length	0935120000
20 mm length	0935130000
30 mm length	0935140000
Gland plates and screws - 6 mm	
Top and bottom sides (A & B), electropolished stainless steel 1.4404	1256270000
Left and right sides (C & D), electropolished stainless steel 1.4404	1256280000
Mounting screw, stainless steel 1.4404	1253230000
Mirror-polish Stainless steel 1.4301 rain hood (2R)	
	1281360000
Label holder	
70 x 70 angled stainless steel 1.4301	1279320000
130x50 stainless steel 1.4301	1283450000
100x25 stainless steel 1.4301	1257640000
Document holder	
For DIN A6 size documents	
For DIN A5 size documents	
For DIN A4 size documents	
Set of fixings	
For label holders, rain hoods and document holders (rivet)	1252190000
For plastic (Trafolyte), identification plate (screw)	1285200000
Earthing stud	
Stainless steel 1.4404	1192690000

Note

Max. number of terminals (industry)

Max. number of terminals (industry)	vertical	horizontal
2.5 mm ²	1x29	1x15
4 mm ²		1x13
6 mm ²		1x9
10 mm ²		1x7
16 mm ²		1x6
35 mm ²		



Note

*For enclosure versions with zero, one or two gland plates, the horizontal gap between the mounting feet is reduced by 30 mm. Assembly with terminal blocks provides for 10 mm clearance to the ends of the mounting rail. Recommended order: TS 35 mounting rail (screw terminal) WDU 2.5 1020000000 / (tension clamp terminal) ZDU 2.5 1608510000 / (tension clamp terminal) PDU 2.5 1896110000 TS 32 mounting rail (screw terminal) SAK 2.5 0279660000 TS 15 mounting rail (screw terminal) AKZ 2.5 0697160000

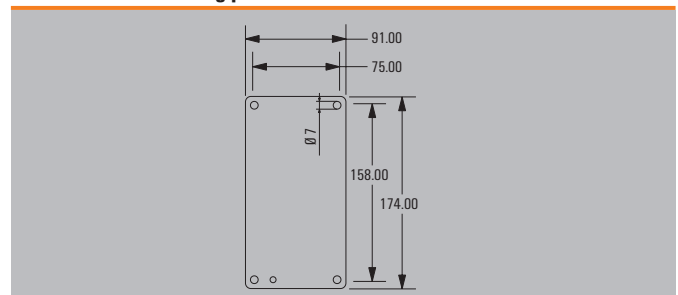
Number of cable entries

Number of cable entries	A / B	C / D
M12	6	8
M16	5	6
M20	2	3
M25	2	2
M32	1	2
M40	1	2
M50	0	0
M63	0	0
M75	0	0

Note

Our IP 68 brass cable glands serve as a reference for these recommended values.

Dimensions of mounting plate





Height/Width/Depth 260 / 260 / 150 mm

Ordering data

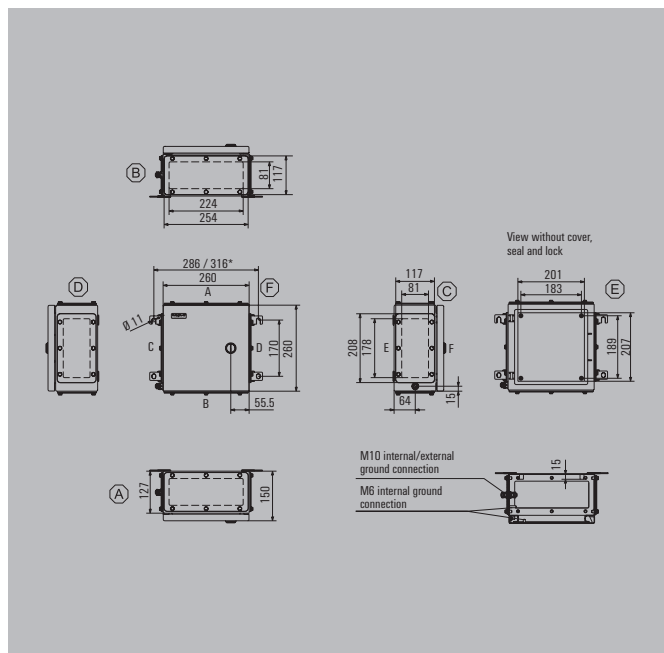
Stainless steel 1.4404 316L, electropolished	Order No.
1 gland plate - bottom	1199910000
2 gland plates - top and bottom sides (A & B)	1199920000
3 gland plates - bottom, left and right sides (B, C & D)	1199930000
4 gland plates - top, bottom, left and right sides (A, B, C & D)	1199940000

Note Painted sheet steel enclosure available on request. Standard colour is similar to RAL 7035.

Accessories

Mounting plates and fastening screws	Order No.
Steel sheet, zinc plated	1193950000
Stainless steel 1.4301	1193820000
With hole pattern, natural stainless steel 1.4301	1257660000
Fastening screws for mounting plates	0642600000
Fastening screws for terminal rails	1274150000
Stainless steel spacer M6 x 8, Set of 4	
10 mm length	0935110000
15 mm length	0935120000
20 mm length	0935130000
30 mm length	0935140000
Gland plates and screws - 6 mm	
Top and bottom sides (A & B), electropolished stainless steel 1.4404	1256290000
Left and right sides (C & D), electropolished stainless steel 1.4404	1256310000
Mounting screw, stainless steel 1.4404	1253230000
Mirror-polish Stainless steel 1.4301 rain hood (2R)	
	1281370000
Label holder	
70 x 70 angled stainless steel 1.4301	1279320000
130x50 stainless steel 1.4301	1283450000
100x25 stainless steel 1.4301	1257640000
Document holder	
For DIN A6 size documents	1252780000
For DIN A5 size documents	
For DIN A4 size documents	
Set of fixings	
For label holders, rain hoods and document holders (rivet)	1252190000
For plastic (Trafolyte), identification plate (screw)	1285200000
Earthing stud	
Stainless steel 1.4404	1192690000

Note



Max. number of terminals (industry)

Max. number of terminals (industry)	vertical	horizontal
2.5 mm ²	2x35	2x34
4 mm ²	1x30	1x29
6 mm ²	1x22	1x22
10 mm ²	1x18	1x17
16 mm ²	1x15	1x14
35 mm ²		



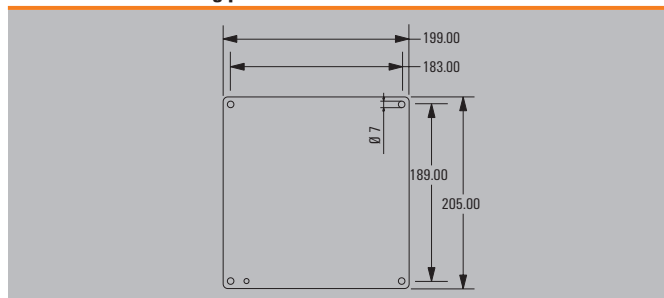
Note *For enclosure versions with zero, one or two gland plates, the horizontal gap between the mounting feet is reduced by 30 mm. Assembly with terminal blocks provides for 10 mm clearance to the ends of the mounting rail. Recommended order: TS 35 mounting rail (screw terminal) WDU 2.5 1020000000 / (tension clamp terminal) ZDU 2.5 1608510000 / (tension clamp terminal) PDU 2.5 1896110000 TS 32 mounting rail (screw terminal) SAK 2.5 0279660000 TS 15 mounting rail (screw terminal) AKZ 2.5 0697160000

Number of cable entries

Number of cable entries	A / B	C / D
M12	20	15
M16	11	8
M20	9	7
M25	4	3
M32	3	2
M40	3	2
M50	2	2
M63	0	0
M75	0	0

Note Our IP 68 brass cable glands are used as the reference for these guideline values.

Dimensions of mounting plate





Height/Width/Depth 260 / 260 / 200 mm

Ordering data

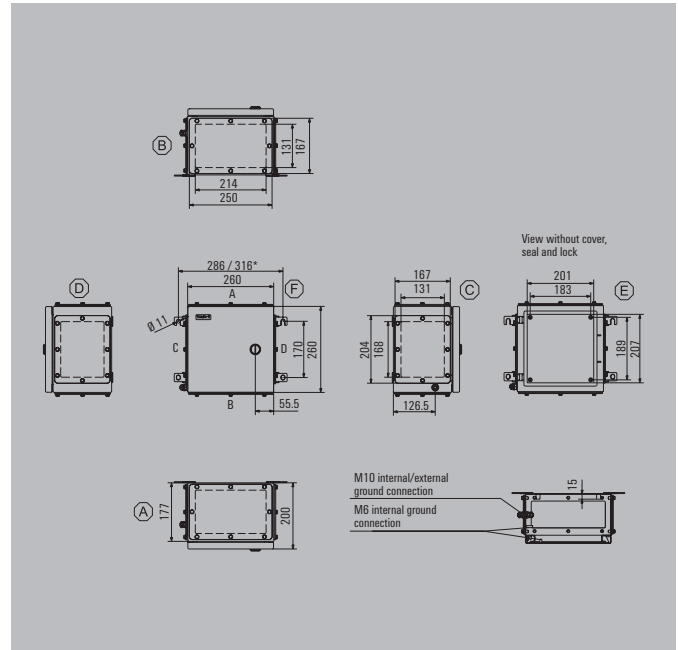
Stainless steel 1.4404 316L, electropolished	Order No.
1 gland plate - bottom	1199960000
2 gland plates - top and bottom sides (A & B)	1199970000
3 gland plates - bottom, left and right sides (B, C & D)	1199980000
4 gland plates - top, bottom, left and right sides (A, B, C & D)	1199990000

Note Painted sheet steel enclosure available on request. Standard colour is similar to RAL 7035.

Accessories

Mounting plates and fastening screws	Order No.
Steel sheet, zinc plated	1193950000
Stainless steel 1.4301	1193820000
With hole pattern, natural stainless steel 1.4301	1257660000
Fastening screws for mounting plates	0642600000
Fastening screws for terminal rails	1274150000
Stainless steel spacer M6 x 8, Set of 4	
10 mm length	0935110000
15 mm length	0935120000
20 mm length	0935130000
30 mm length	0935140000
Gland plates and screws - 6 mm	
Top and bottom sides (A & B), electropolished stainless steel 1.4404	1256320000
Left and right sides (C & D), electropolished stainless steel 1.4404	1256330000
Mounting screw, stainless steel 1.4404	1253230000
Mirror-polish Stainless steel 1.4301 rain hood (2R)	
	1281380000
Label holder	
70 x 70 angled stainless steel 1.4301	1279320000
130x50 stainless steel 1.4301	1283450000
100x25 stainless steel 1.4301	1257640000
Document holder	
For DIN A6 size documents	1252780000
For DIN A5 size documents	
For DIN A4 size documents	
Set of fixings	
For label holders, rain hoods and document holders (rivet)	1252190000
For plastic (Trafolyte), identification plate (screw)	1285200000
Earthing stud	
Stainless steel 1.4404	1192690000

Note



Max. number of terminals (industry)

Max. number of terminals (industry)	vertical	horizontal
2.5 mm ²	2x35	2x34
4 mm ²	1x30	1x29
6 mm ²	1x22	1x22
10 mm ²	1x18	1x17
16 mm ²	1x15	1x14
35 mm ²		



Note

*For enclosure versions with zero, one or two gland plates, the horizontal gap between the mounting feet is reduced by 30 mm. Assembly with terminal blocks provides for 10 mm clearance to the ends of the mounting rail. Recommended order: TS 35 mounting rail (screw terminal) WDU 2.5 1020000000 / (tension clamp terminal) ZDU 2.5 1608510000 / (tension clamp terminal) PDU 2.5 1896110000 TS 32 mounting rail (screw terminal) SAK 2.5 0279660000 TS 15 mounting rail (screw terminal) AKZ 2.5 0697160000

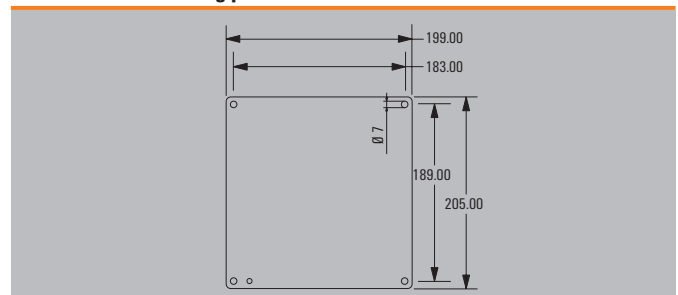
Number of cable entries

Number of cable entries	A / B	C / D
M12	33	25
M16	22	16
M20	14	11
M25	12	9
M32	6	4
M40	5	4
M50	2	2
M63	2	1
M75	1	1

Note

Our IP 68 brass cable glands serve as a reference for these recommended values.

Dimensions of mounting plate





Height/Width/Depth 306 / 306 / 150 mm

Ordering data

Stainless steel 1.4404 316L, electropolished	Order No.
1 gland plate - bottom	1200020000
2 gland plates - top and bottom sides (A & B)	1200030000
3 gland plates - bottom, left and right sides (B, C & D)	1200040000
4 gland plates - top, bottom, left and right sides (A, B, C & D)	1200050000

Note Painted sheet steel enclosure available on request. Standard colour is similar to RAL 7035.

Accessories

Mounting plates and fastening screws	Order No.
Steel sheet, zinc plated	1193960000
Stainless steel 1.4301	1193830000
With hole pattern, natural stainless steel 1.4301	1257670000
Fastening screws for mounting plates	0642600000
Fastening screws for terminal rails	1274150000

Stainless steel spacer M6 x 8, Set of 4	Order No.
10 mm length	0935110000
15 mm length	0935120000
20 mm length	0935130000
30 mm length	0935140000

Gland plates and screws - 6 mm	Order No.
Top and bottom sides (A & B), electropolished stainless steel 1.4404	1256340000
Left and right sides (C & D), electropolished stainless steel 1.4404	1256350000
Mounting screw, stainless steel 1.4404	1253230000

Mirror-polish Stainless steel 1.4301 rain hood (2R)	Order No.
	1281390000

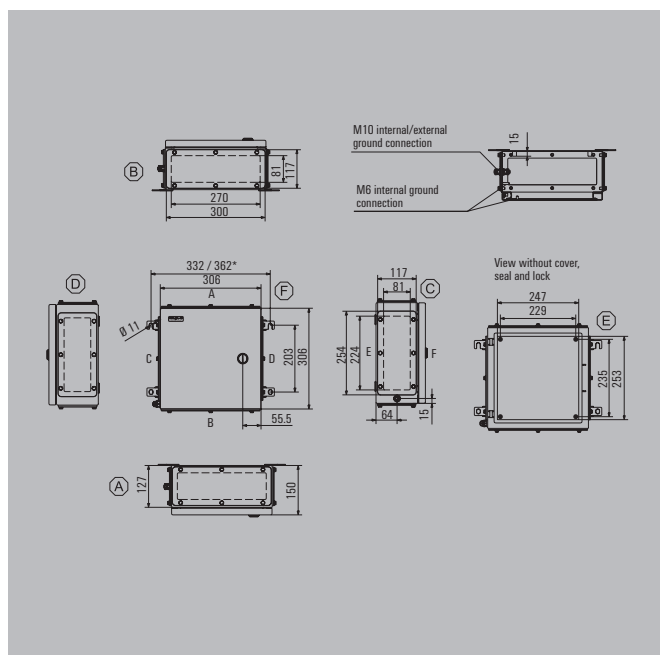
Label holder	Order No.
70 x 70 angled stainless steel 1.4301	1279320000
130x50 stainless steel 1.4301	1283450000
100x25 stainless steel 1.4301	1257640000

Document holder	Order No.
For DIN A6 size documents	1252780000
For DIN A5 size documents	
For DIN A4 size documents	

Set of fixings	Order No.
For label holders, rain hoods and document holders (rivet)	1252190000
For plastic (Trafolyte), identification plate (screw)	1285200000

Earthing stud	Order No.
Stainless steel 1.4404	1192690000

Note



Max. number of terminals (industry)

Max. number of terminals (industry)	vertical	horizontal
2.5 mm ²	2x44	2x43
4 mm ²	2x37	2x36
6 mm ²	2x28	2x27
10 mm ²	1x22	1x22
16 mm ²	1x19	1x18
35 mm ²	1x14	1x13



Note

*For enclosure versions with zero, one or two gland plates, the horizontal gap between the mounting feet is reduced by 30 mm. Assembly with terminal blocks provides for 10 mm clearance to the ends of the mounting rail. Recommended order: TS 35 mounting rail (screw terminal) WDU 2.5 1020000000 / (tension clamp terminal) ZDU 2.5 1608510000 / (tension clamp terminal) PDU 2.5 1896110000 TS 32 mounting rail (screw terminal) SAK 2.5 0279660000 TS 15 mounting rail (screw terminal) AKZ 2.5 0697160000

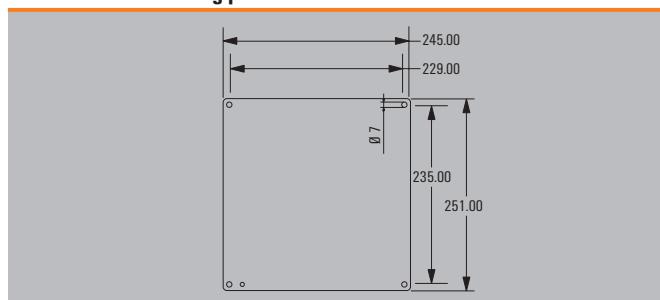
Number of cable entries

Number of cable entries	A / B	C / D
M12	24	20
M16	13	11
M20	11	9
M25	5	4
M32	4	3
M40	3	3
M50	3	2
M63	0	0
M75	0	0

Note

Our IP 68 brass cable glands are used as the reference for these guideline values.

Dimensions of mounting plate



Klippon® TB QL 303020

Depth 200 mm



Height/Width/Depth 306 / 306 / 200 mm

Ordering data

Stainless steel 1.4404 316L, electropolished	Order No.
1 gland plate - bottom	1200070000
2 gland plates - top and bottom sides (A & B)	1200080000
3 gland plates - bottom, left and right sides (B, C & D)	1200090000
4 gland plates - top, bottom, left and right sides (A, B, C & D)	1200100000

Note Painted sheet steel enclosure available on request. Standard colour is similar to RAL 7035.

Accessories

Mounting plates and fastening screws	Order No.
Steel sheet, zinc plated	1193960000
Stainless steel 1.4301	1193830000
With hole pattern, natural stainless steel 1.4301	1257670000
Fastening screws for mounting plates	0642600000
Fastening screws for terminal rails	1274150000

Stainless steel spacer M6 x 8, Set of 4	Order No.
10 mm length	0935110000
15 mm length	0935120000
20 mm length	0935130000
30 mm length	0935140000

Gland plates and screws - 6 mm	Order No.
Top and bottom sides (A & B), electropolished stainless steel 1.4404	1256360000
Left and right sides (C & D), electropolished stainless steel 1.4404	1256370000
Mounting screw, stainless steel 1.4404	1253230000

Mirror-polish Stainless steel 1.4301 rain hood (2R)	Order No.
	1281400000

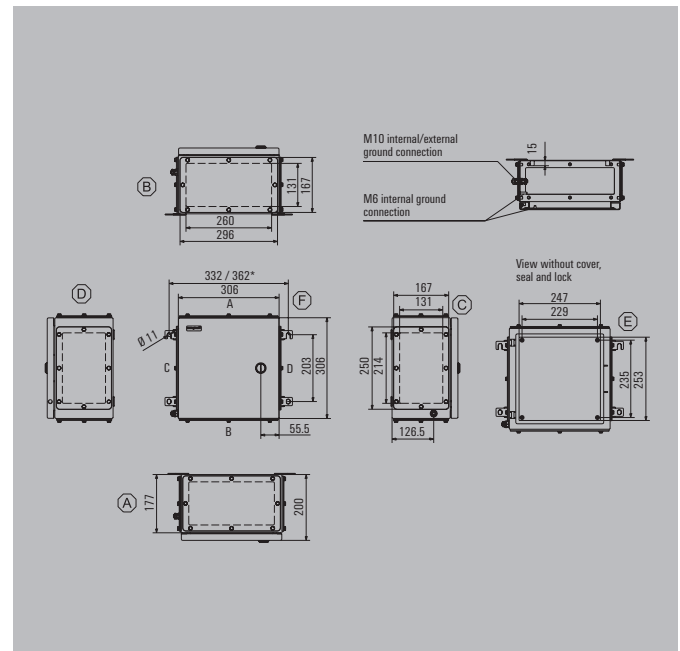
Label holder	Order No.
70 x 70 angled stainless steel 1.4301	1279320000
130x50 stainless steel 1.4301	1283450000
100x25 stainless steel 1.4301	1257640000

Document holder	Order No.
For DIN A6 size documents	1252780000
For DIN A5 size documents	
For DIN A4 size documents	

Set of fixings	Order No.
For label holders, rain hoods and document holders (rivet)	1252190000
For plastic (Trafolyte), identification plate (screw)	1285200000

Earthing stud	Order No.
Stainless steel 1.4404	1192690000

Note



Max. number of terminals (industry)

Max. number of terminals (industry)	vertical	horizontal
2.5 mm ²	2x44	2x43
4 mm ²	2x37	2x36
6 mm ²	2x28	2x27
10 mm ²	1x22	1x22
16 mm ²	1x19	1x18
35 mm ²	1x14	1x13

Note

*For enclosure versions with zero, one or two gland plates, the horizontal gap between the mounting feet is reduced by 30 mm. Assembly with terminal blocks provides for 10 mm clearance to the ends of the mounting rail. Recommended order: TS 35 mounting rail (screw terminal) WDU 2.5 1020000000 / (tension clamp terminal) ZDU 2.5 1608510000 / (tension clamp terminal) PDU 2.5 1896110000 TS 32 mounting rail (screw terminal) SAK 2.5 0279660000 TS 15 mounting rail (screw terminal) AKZ 2.5 0697160000

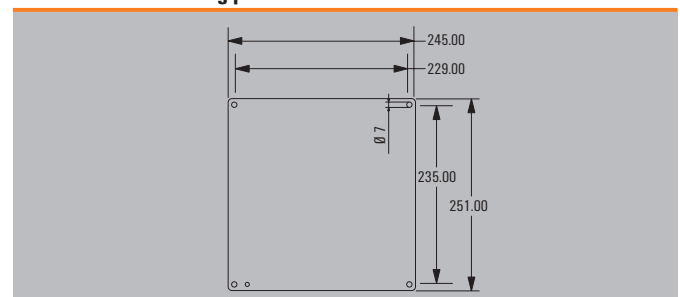
Number of cable entries

Number of cable entries	A / B	C / D
M12	40	33
M16	26	22
M20	17	14
M25	14	12
M32	8	6
M40	6	5
M50	3	2
M63	2	2
M75	2	1

Note

Our IP 68 brass cable glands serve as a reference for these recommended values.

Dimensions of mounting plate





Height/Width/Depth 350 / 260 / 150 mm

Ordering data

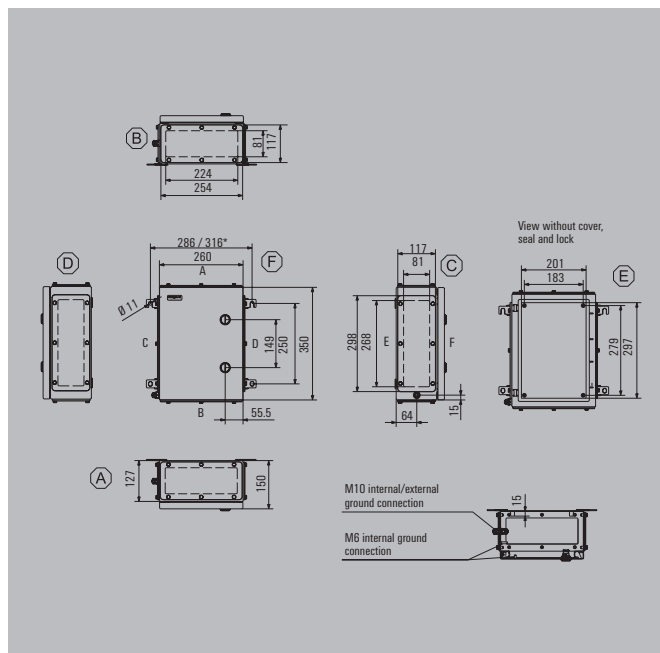
Stainless steel 1.4404 316L, electropolished	Order No.
1 gland plate - bottom	1200120000
2 gland plates - top and bottom sides (A & B)	1200130000
3 gland plates - bottom, left and right sides (B, C & D)	1200140000
4 gland plates - top, bottom, left and right sides (A, B, C & D)	1200150000

Note Painted sheet steel enclosure available on request. Standard colour is similar to RAL 7035.

Accessories

Mounting plates and fastening screws	Order No.
Steel sheet, zinc plated	1193970000
Stainless steel 1.4301	1193840000
With hole pattern, natural stainless steel 1.4301	1257680000
Fastening screws for mounting plates	0642600000
Fastening screws for terminal rails	1274150000
Stainless steel spacer M6 x 8, Set of 4	
10 mm length	0935110000
15 mm length	0935120000
20 mm length	0935130000
30 mm length	0935140000
Gland plates and screws - 6 mm	
Top and bottom sides (A & B), electropolished stainless steel 1.4404	1256380000
Left and right sides (C & D), electropolished stainless steel 1.4404	1256390000
Mounting screw, stainless steel 1.4404	1253230000
Mirror-polish Stainless steel 1.4301 rain hood (2R)	
	1281410000
Label holder	
70 x 70 angled stainless steel 1.4301	1279320000
130x50 stainless steel 1.4301	1283450000
100x25 stainless steel 1.4301	1257640000
Document holder	
For DIN A6 size documents	1252780000
For DIN A5 size documents	
For DIN A4 size documents	
Set of fixings	
For label holders, rain hoods and document holders (rivet)	1252190000
For plastic (Trafolyte), identification plate (screw)	1285200000
Earthing stud	
Stainless steel 1.4404	1192690000

Note



Max. number of terminals (industry)

Max. number of terminals (industry)	vertical	horizontal
2.5 mm ²	2x53	2x34
4 mm ²	1x44	2x29
6 mm ²	1x33	2x22
10 mm ²	1x27	2x17
16 mm ²	1x22	1x14
35 mm ²		1x11



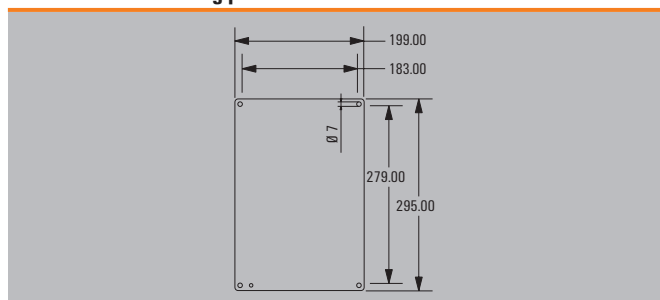
Note *For enclosure versions with zero, one or two gland plates, the horizontal gap between the mounting feet is reduced by 30 mm. Assembly with terminal blocks provides for 10 mm clearance to the ends of the mounting rail. Recommended order: TS 35 mounting rail (screw terminal) WDU 2.5 1020000000 / (tension clamp terminal) ZDU 2.5 1608510000 / (tension clamp terminal) PDU 2.5 1896110000 TS 32 mounting rail (screw terminal) SAK 2.5 0279660000 TS 15 mounting rail (screw terminal) AKZ 2.5 0697160000

Number of cable entries

Number of cable entries	A / B	C / D
M12	20	23
M16	11	13
M20	9	11
M25	4	5
M32	3	4
M40	3	3
M50	2	3
M63	0	0
M75	0	0

Note Our IP 68 brass cable glands serve as a reference for these recommended values.

Dimensions of mounting plate



Klippon® TB QL 352620

Depth 200 mm



Height/Width/Depth 350 / 260 / 200 mm

Ordering data

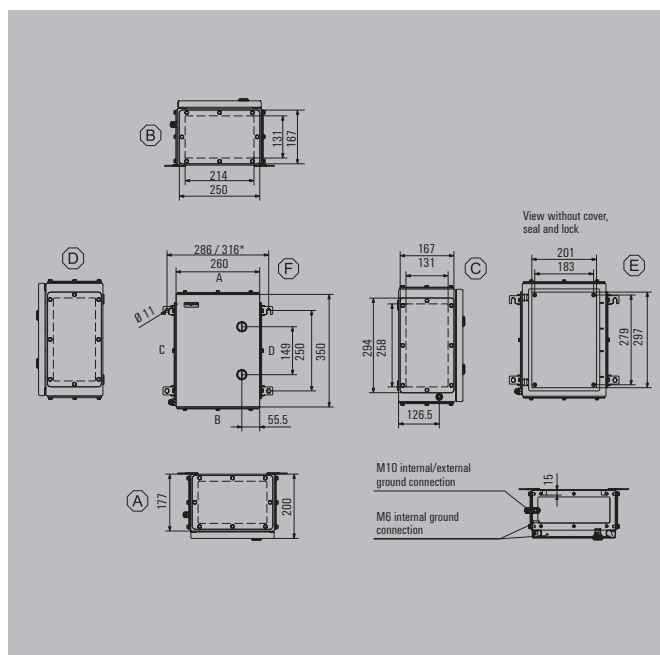
Stainless steel 1.4404 316L, electropolished	Order No.
1 gland plate - bottom	1200170000
2 gland plates - top and bottom sides (A & B)	1200180000
3 gland plates - bottom, left and right sides (B, C & D)	1200190000
4 gland plates - top, bottom, left and right sides (A, B, C & D)	1200210000

Note Painted sheet steel enclosure available on request. Standard colour is similar to RAL 7035.

Accessories

Mounting plates and fastening screws	Order No.
Steel sheet, zinc plated	1193970000
Stainless steel 1.4301	1193840000
With hole pattern, natural stainless steel 1.4301	1257680000
Fastening screws for mounting plates	0642600000
Fastening screws for terminal rails	1274150000
Stainless steel spacer M6 x 8, Set of 4	
10 mm length	0935110000
15 mm length	0935120000
20 mm length	0935130000
30 mm length	0935140000
Gland plates and screws - 6 mm	
Top and bottom sides (A & B), electropolished stainless steel 1.4404	1256410000
Left and right sides (C & D), electropolished stainless steel 1.4404	1256420000
Mounting screw, stainless steel 1.4404	1253230000
Mirror-polish Stainless steel 1.4301 rain hood (2R)	
	1281420000
Label holder	
70 x 70 angled stainless steel 1.4301	1279320000
130x50 stainless steel 1.4301	1283450000
100x25 stainless steel 1.4301	1257640000
Document holder	
For DIN A6 size documents	1252780000
For DIN A5 size documents	
For DIN A4 size documents	
Set of fixings	
For label holders, rain hoods and document holders (rivet)	1252190000
For plastic (Trafolyte), identification plate (screw)	1285200000
Earthing stud	
Stainless steel 1.4404	1192690000

Note



Max. number of terminals (industry)

Max. number of terminals (industry)	vertical	horizontal
2.5 mm ²	2x53	2x34
4 mm ²	1x44	2x29
6 mm ²	1x33	2x22
10 mm ²	1x27	2x17
16 mm ²	1x22	1x14
35 mm ²		1x11



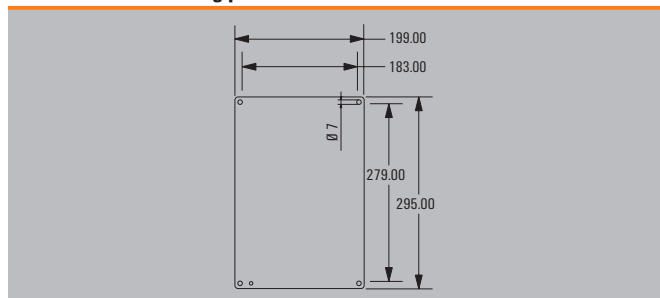
Note *For enclosure versions with zero, one or two gland plates, the horizontal gap between the mounting feet is reduced by 30 mm. Assembly with terminal blocks provides for 10 mm clearance to the ends of the mounting rail. Recommended order: TS 35 mounting rail (screw terminal) WDU 2.5 1020000000 / (tension clamp terminal) ZDU 2.5 1608510000 / (tension clamp terminal) PDU 2.5 1896110000 TS 32 mounting rail (screw terminal) SAK 2.5 0279660000 TS 15 mounting rail (screw terminal) AKZ 2.5 0697160000

Number of cable entries

Number of cable entries	A / B	C / D
M12	33	38
M16	22	26
M20	14	17
M25	12	14
M32	6	7
M40	5	6
M50	2	3
M63	2	2
M75	1	2

Note Our IP 68 brass cable glands are used as the reference for these guideline values.

Dimensions of mounting plate





Height/Width/Depth 400 / 300 / 150 mm

Ordering data

Stainless steel 1.4404 316L, electropolished	Order No.
1 gland plate - bottom	1200230000
2 gland plates - top and bottom sides (A & B)	1200240000
3 gland plates - bottom, left and right sides (B, C & D)	1200250000
4 gland plates - top, bottom, left and right sides (A, B, C & D)	1200260000

Note Painted sheet steel enclosure available on request. Standard colour is similar to RAL 7035.

Accessories

Mounting plates and fastening screws	Order No.
Steel sheet, zinc plated	1193980000
Stainless steel 1.4301	1193850000
With hole pattern, natural stainless steel 1.4301	1257690000
Fastening screws for mounting plates	0642600000
Fastening screws for terminal rails	1274150000

Stainless steel spacer M6 x 8, Set of 4	Order No.
10 mm length	0935110000
15 mm length	0935120000
20 mm length	0935130000
30 mm length	0935140000

Gland plates and screws - 6 mm	Order No.
Top and bottom sides (A & B), electropolished stainless steel 1.4404	1256430000
Left and right sides (C & D), electropolished stainless steel 1.4404	1256440000
Mounting screw, stainless steel 1.4404	1253230000

Mirror-polish Stainless steel 1.4301 rain hood (2R)	Order No.
	1281430000

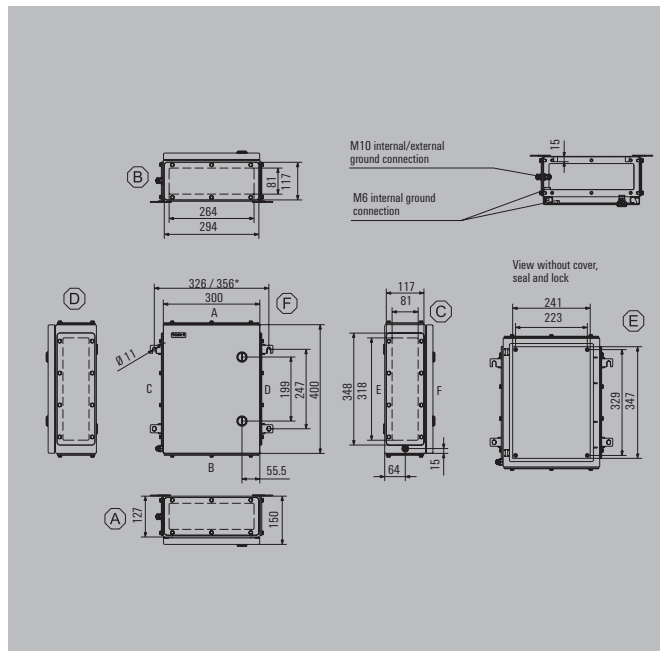
Label holder	Order No.
70 x 70 angled stainless steel 1.4301	1279320000
130x50 stainless steel 1.4301	1283450000
100x25 stainless steel 1.4301	1257640000

Document holder	Order No.
For DIN A6 size documents	1252780000
For DIN A5 size documents	
For DIN A4 size documents	

Set of fixings	Order No.
For label holders, rain hoods and document holders (rivet)	1252190000
For plastic (Trafolyte), identification plate (screw)	1285200000

Earthing stud	Order No.
Stainless steel 1.4404	1192690000

Note



Max. number of terminals (industry)

Max. number of terminals (industry)	vertical	horizontal
2.5 mm ²	2x62	3x42
4 mm ²	2x52	3x35
6 mm ²	1x39	2x26
10 mm ²	1x32	2x21
16 mm ²	1x26	2x18
35 mm ²	1x20	1x13

Note

*For enclosure versions with zero, one or two gland plates, the horizontal gap between the mounting feet is reduced by 30 mm. Assembly with terminal blocks provides for 10 mm clearance to the ends of the mounting rail. Recommended order: TS 35 mounting rail (screw terminal) WDU 2.5 1020000000 / (tension clamp terminal) ZDU 2.5 1608510000 / (tension clamp terminal) PDU 2.5 1896110000 TS 32 mounting rail (screw terminal) SAK 2.5 0279660000 TS 15 mounting rail (screw terminal) AKZ 2.5 0697160000

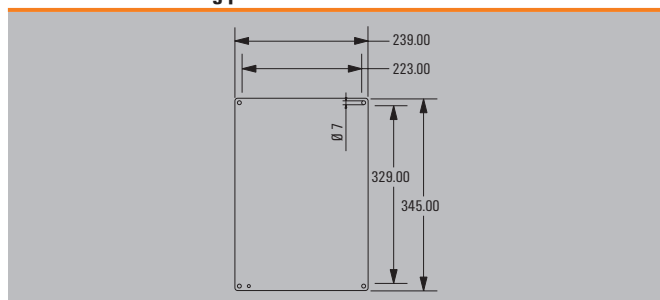
Number of cable entries

Number of cable entries	A / B	C / D
M12	23	29
M16	13	16
M20	11	13
M25	5	6
M32	4	5
M40	3	4
M50	3	3
M63	0	0
M75	0	0

Note

Our IP 68 brass cable glands serve as a reference for these recommended values.

Dimensions of mounting plate





Height/Width/Depth 400 / 300 / 200 mm

Ordering data

Stainless steel 1.4404 316L, electropolished	Order No.
1 gland plate - bottom	1200280000
2 gland plates - top and bottom sides (A & B)	1200290000
3 gland plates - bottom, left and right sides (B, C & D)	1200310000
4 gland plates - top, bottom, left and right sides (A, B, C & D)	1200320000

Note Painted sheet steel enclosure available on request. Standard colour is similar to RAL 7035.

Accessories

Mounting plates and fastening screws	Order No.
Steel sheet, zinc plated	1193980000
Stainless steel 1.4301	1193850000
With hole pattern, natural stainless steel 1.4301	1257690000
Fastening screws for mounting plates	0642600000
Fastening screws for terminal rails	1274150000

Stainless steel spacer M6 x 8, Set of 4	Order No.
10 mm length	0935110000
15 mm length	0935120000
20 mm length	0935130000
30 mm length	0935140000

Gland plates and screws - 6 mm	Order No.
Top and bottom sides (A & B), electropolished stainless steel 1.4404	1256450000
Left and right sides (C & D), electropolished stainless steel 1.4404	1256470000
Mounting screw, stainless steel 1.4404	1253230000

Mirror-polish Stainless steel 1.4301 rain hood (2R)	Order No.
	1281440000

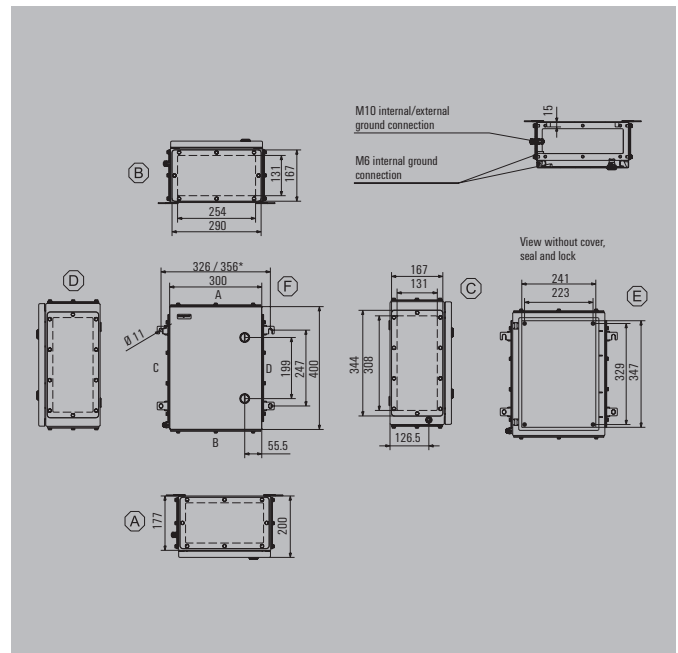
Label holder	Order No.
70 x 70 angled stainless steel 1.4301	1279320000
130x50 stainless steel 1.4301	1283450000
100x25 stainless steel 1.4301	1257640000

Document holder	Order No.
For DIN A6 size documents	1252780000
For DIN A5 size documents	
For DIN A4 size documents	

Set of fixings	Order No.
For label holders, rain hoods and document holders (rivet)	1252190000
For plastic (Trafolyte), identification plate (screw)	1285200000

Earthing stud	Order No.
Stainless steel 1.4404	1192690000

Note



Max. number of terminals (industry)

Max. number of terminals (industry)	vertical	horizontal
2.5 mm ²	2x62	3x42
4 mm ²	2x52	3x35
6 mm ²	1x39	2x26
10 mm ²	1x32	2x21
16 mm ²	1x26	2x18
35 mm ²	1x20	1x13

Note

*For enclosure versions with zero, one or two gland plates, the horizontal gap between the mounting feet is reduced by 30 mm. Assembly with terminal blocks provides for 10 mm clearance to the ends of the mounting rail. Recommended order: TS 35 mounting rail (screw terminal) WDU 2.5 1020000000 / (tension clamp terminal) ZDU 2.5 1608510000 / (tension clamp terminal) PDU 2.5 1896110000 TS 32 mounting rail (screw terminal) SAK 2.5 0279660000 TS 15 mounting rail (screw terminal) AKZ 2.5 0697160000

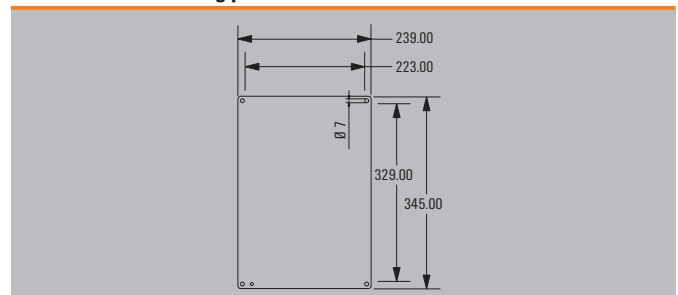
Number of cable entries

Number of cable entries	A / B	C / D
M12	38	48
M16	26	32
M20	17	20
M25	14	17
M32	7	9
M40	6	7
M50	3	3
M63	2	3
M75	2	2

Note

Our IP 68 brass cable glands are used as the reference for these guideline values.

Dimensions of mounting plate





Height/Width/Depth 458 / 382 / 150 mm

Ordering data

Stainless steel 1.4404 316L, electropolished	Order No.
1 gland plate - bottom	1200340000
2 gland plates - top and bottom sides (A & B)	1200350000
3 gland plates - bottom, left and right sides (B, C & D)	1200360000
4 gland plates - top, bottom, left and right sides (A, B, C & D)	1200370000

Note Painted sheet steel enclosure available on request. Standard colour is similar to RAL 7035.

Accessories

Mounting plates and fastening screws	Order No.
Steel sheet, zinc plated	1193990000
Stainless steel 1.4301	1193860000
With hole pattern, natural stainless steel 1.4301	1257700000
Fastening screws for mounting plates	0642600000
Fastening screws for terminal rails	1274150000

Stainless steel spacer M6 x 8, Set of 4	Order No.
10 mm length	0935110000
15 mm length	0935120000
20 mm length	0935130000
30 mm length	0935140000

Gland plates and screws - 6 mm	Order No.
Top and bottom sides (A & B), electropolished stainless steel 1.4404	1256480000
Left and right sides (C & D), electropolished stainless steel 1.4404	1256490000
Mounting screw, stainless steel 1.4404	1253230000

Mirror-polish Stainless steel 1.4301 rain hood (2R)	Order No.
	1281450000

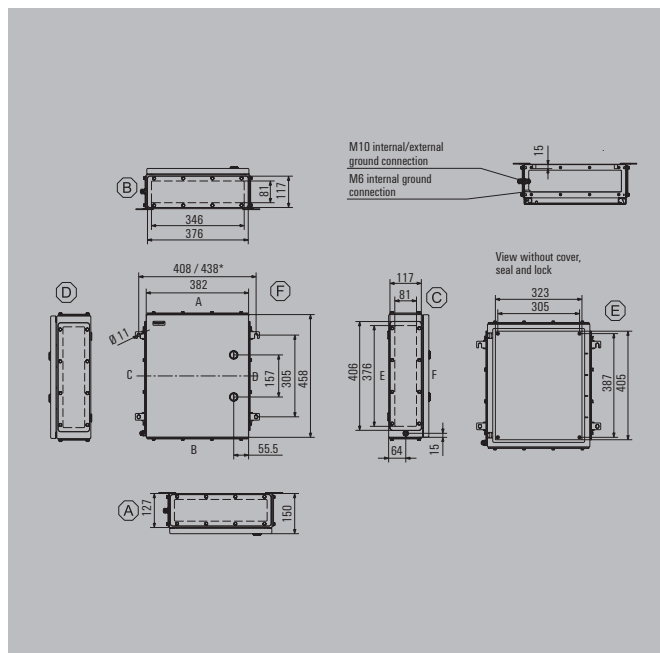
Label holder	Order No.
70 x 70 angled stainless steel 1.4301	1279320000
130x50 stainless steel 1.4301	1283450000
100x25 stainless steel 1.4301	1257640000

Document holder	Order No.
For DIN A6 size documents	1252780000
For DIN A5 size documents	1252750000
For DIN A4 size documents	1252730000

Set of fixings	Order No.
For label holders, rain hoods and document holders (rivet)	1252190000
For plastic (Trafolyte), identification plate (screw)	1285200000

Earthing stud	Order No.
Stainless steel 1.4404	1192690000

Note



Max. number of terminals (industry)

Max. number of terminals (industry)	vertical	horizontal
2.5 mm ²	3x73	4x58
4 mm ²	2x62	3x48
6 mm ²	2x46	3x36
10 mm ²	2x37	2x29
16 mm ²	2x31	2x24
35 mm ²	1x23	1x18

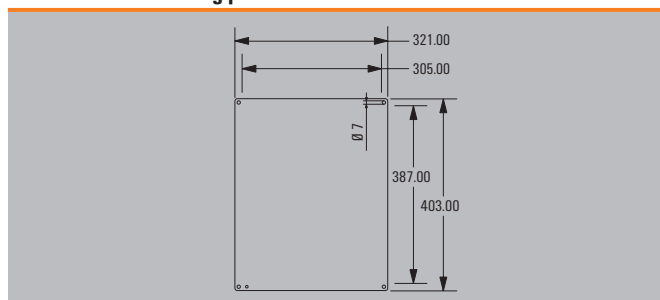
Note *For enclosure versions with zero, one or two gland plates, the horizontal gap between the mounting feet is reduced by 30 mm. Assembly with terminal blocks provides for 10 mm clearance to the ends of the mounting rail. Recommended order: TS 35 mounting rail (screw terminal) WDU 2.5 1020000000 / (tension clamp terminal) ZDU 2.5 1608510000 / (tension clamp terminal) PDU 2.5 1896110000 TS 32 mounting rail (screw terminal) SAK 2.5 0279660000 TS 15 mounting rail (screw terminal) AKZ 2.5 0697160000

Number of cable entries

Number of cable entries	A / B	C / D
M12	30	33
M16	17	19
M20	15	16
M25	6	7
M32	5	6
M40	4	5
M50	4	4
M63	0	0
M75	0	0

Note Our IP 68 brass cable glands serve as a reference for these recommended values.

Dimensions of mounting plate



Klippon® TB QL 453820

Depth 200 mm



Height/Width/Depth 458 / 382 / 200 mm

Ordering data

Stainless steel 1.4404 316L, electropolished	Order No.
1 gland plate - bottom	1200390000
2 gland plates - top and bottom sides (A & B)	1200410000
3 gland plates - bottom, left and right sides (B, C & D)	1200420000
4 gland plates - top, bottom, left and right sides (A, B, C & D)	1200430000

Note Painted sheet steel enclosure available on request. Standard colour is similar to RAL 7035.

Accessories

Mounting plates and fastening screws	Order No.
Steel sheet, zinc plated	1193990000
Stainless steel 1.4301	1193860000
With hole pattern, natural stainless steel 1.4301	1257700000
Fastening screws for mounting plates	0642600000
Fastening screws for terminal rails	1274150000

Stainless steel spacer M6 x 8, Set of 4	Order No.
10 mm length	0935110000
15 mm length	0935120000
20 mm length	0935130000
30 mm length	0935140000

Gland plates and screws - 6 mm	Order No.
Top and bottom sides (A & B), electropolished stainless steel 1.4404	1256510000
Left and right sides (C & D), electropolished stainless steel 1.4404	1256520000
Mounting screw, stainless steel 1.4404	1253230000

Mirror-polish Stainless steel 1.4301 rain hood (2R)	Order No.
	1281460000

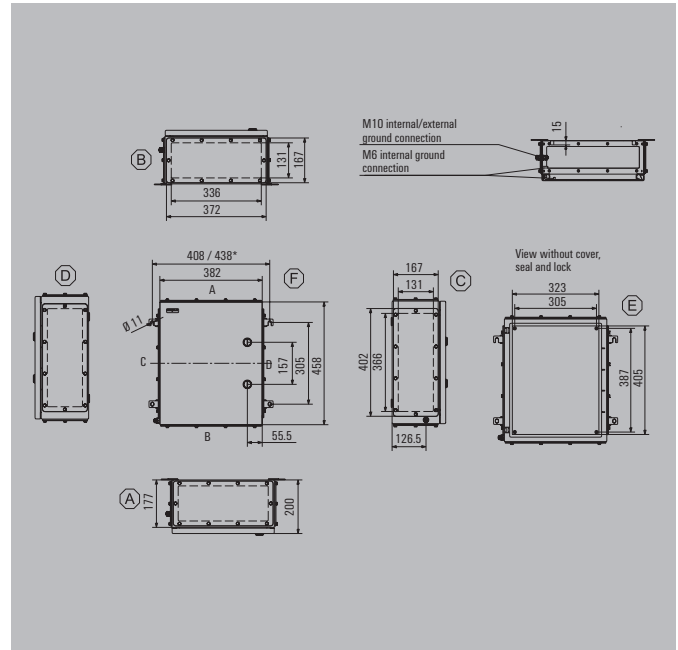
Label holder	Order No.
70 x 70 angled stainless steel 1.4301	1279320000
130x50 stainless steel 1.4301	1283450000
100x25 stainless steel 1.4301	1257640000

Document holder	Order No.
For DIN A6 size documents	1252780000
For DIN A5 size documents	1252750000
For DIN A4 size documents	1252730000

Set of fixings	Order No.
For label holders, rain hoods and document holders (rivet)	1252190000
For plastic (Trafolyte), identification plate (screw)	1285200000

Earthing stud	Order No.
Stainless steel 1.4404	1192690000

Note



Max. number of terminals (industry)

Max. number of terminals (industry)	vertical	horizontal
2.5 mm ²	3x73	4x58
4 mm ²	2x62	3x48
6 mm ²	2x46	3x36
10 mm ²	2x37	2x29
16 mm ²	2x31	2x24
35 mm ²	1x23	1x18

Note

*For enclosure versions with zero, one or two gland plates, the horizontal gap between the mounting feet is reduced by 30 mm. Assembly with terminal blocks provides for 10 mm clearance to the ends of the mounting rail. Recommended order: TS 35 mounting rail (screw terminal) WDU 2.5 1020000000 / (tension clamp terminal) ZDU 2.5 1608510000 / (tension clamp terminal) PDU 2.5 1896110000 TS 32 mounting rail (screw terminal) SAK 2.5 0279660000 TS 15 mounting rail (screw terminal) AKZ 2.5 0697160000

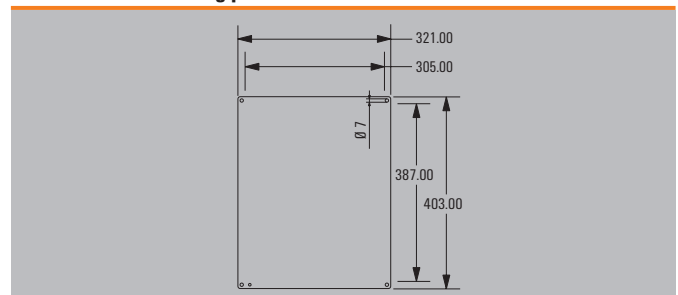
Number of cable entries

Number of cable entries	A / B	C / D
M12	50	55
M16	34	38
M20	23	24
M25	18	21
M32	10	11
M40	8	9
M50	4	4
M63	3	3
M75	2	3

Note

Our IP 68 brass cable glands are used as the reference for these guideline values.

Dimensions of mounting plate





Height/Width/Depth 480 / 480 / 150 mm

Ordering data

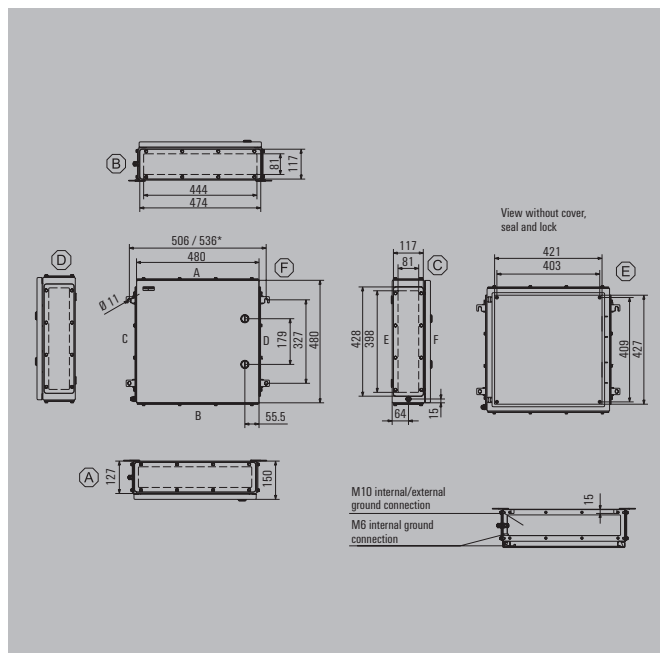
Stainless steel 1.4404 316L, electropolished	Order No.
1 gland plate - bottom	1200450000
2 gland plates - top and bottom sides (A & B)	1200460000
3 gland plates - bottom, left and right sides (B, C & D)	1200470000
4 gland plates - top, bottom, left and right sides (A, B, C & D)	1200480000

Note Painted sheet steel enclosure available on request. Standard colour is similar to RAL 7035.

Accessories

Mounting plates and fastening screws	Order No.
Steel sheet, zinc plated	1194000000
Stainless steel 1.4301	1193870000
With hole pattern, natural stainless steel 1.4301	1257710000
Fastening screws for mounting plates	0642600000
Fastening screws for terminal rails	1274150000
Stainless steel spacer M6 x 8, Set of 4	
10 mm length	0935110000
15 mm length	0935120000
20 mm length	0935130000
30 mm length	0935140000
Gland plates and screws - 6 mm	
Top and bottom sides (A & B), electropolished stainless steel 1.4404	1256530000
Left and right sides (C & D), electropolished stainless steel 1.4404	1256540000
Mounting screw, stainless steel 1.4404	1253230000
Mirror-polish Stainless steel 1.4301 rain hood (2R)	
	1281470000
Label holder	
70 x 70 angled stainless steel 1.4301	1279320000
130x50 stainless steel 1.4301	1283450000
100x25 stainless steel 1.4301	1257640000
Document holder	
For DIN A6 size documents	1252780000
For DIN A5 size documents	1252750000
For DIN A4 size documents	1252730000
Set of fixings	
For label holders, rain hoods and document holders (rivet)	1252190000
For plastic (Trafolyte), identification plate (screw)	1285200000
Earthing stud	
Stainless steel 1.4404	1192690000

Note



Max. number of terminals (industry)

Max. number of terminals (industry)	vertical	horizontal
2.5 mm ²	4x78	4x77
4 mm ²	3x65	3x64
6 mm ²	3x49	3x48
10 mm ²	2x39	3x39
16 mm ²	2x33	2x32
35 mm ²	1x25	2x24



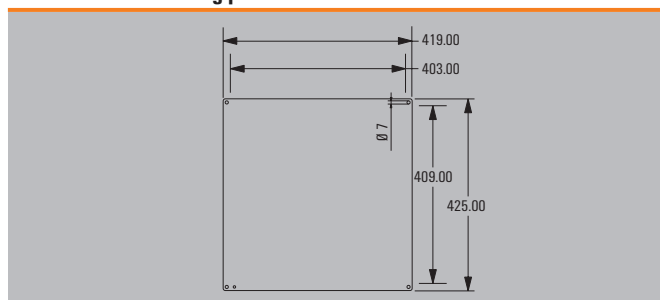
Note *For enclosure versions with zero, one or two gland plates, the horizontal gap between the mounting feet is reduced by 30 mm. Assembly with terminal blocks provides for 10 mm clearance to the ends of the mounting rail. Recommended order: TS 35 mounting rail (screw terminal) WDU 2.5 1020000000 / (tension clamp terminal) ZDU 2.5 1608510000 / (tension clamp terminal) PDU 2.5 1896110000 TS 32 mounting rail (screw terminal) SAK 2.5 0279660000 TS 15 mounting rail (screw terminal) AKZ 2.5 0697160000

Number of cable entries

Number of cable entries	A / B	C / D
M12	39	36
M16	22	20
M20	19	17
M25	8	7
M32	7	6
M40	6	5
M50	5	4
M63	0	0
M75	0	0

Note Our IP 68 brass cable glands are used as the reference for these guideline values.

Dimensions of mounting plate





Height/Width/Depth 480 / 480 / 200 mm

Ordering data

Stainless steel 1.4404 316L, electropolished	Order No.
1 gland plate - bottom	1200510000
2 gland plates - top and bottom sides (A & B)	1200520000
3 gland plates - bottom, left and right sides (B, C & D)	1200530000
4 gland plates - top, bottom, left and right sides (A, B, C & D)	1200540000

Note Painted sheet steel enclosure available on request. Standard colour is similar to RAL 7035.

Accessories

Mounting plates and fastening screws	Order No.
Steel sheet, zinc plated	1194000000
Stainless steel 1.4301	1193870000
With hole pattern, natural stainless steel 1.4301	1257710000
Fastening screws for mounting plates	0642600000
Fastening screws for terminal rails	1274150000

Stainless steel spacer M6 x 8, Set of 4	Order No.
10 mm length	0935110000
15 mm length	0935120000
20 mm length	0935130000
30 mm length	0935140000

Gland plates and screws - 6 mm	Order No.
Top and bottom sides (A & B), electropolished stainless steel 1.4404	1256550000
Left and right sides (C & D), electropolished stainless steel 1.4404	1256560000
Mounting screw, stainless steel 1.4404	1253230000

Mirror-polish Stainless steel 1.4301 rain hood (2R)	Order No.
	1281480000

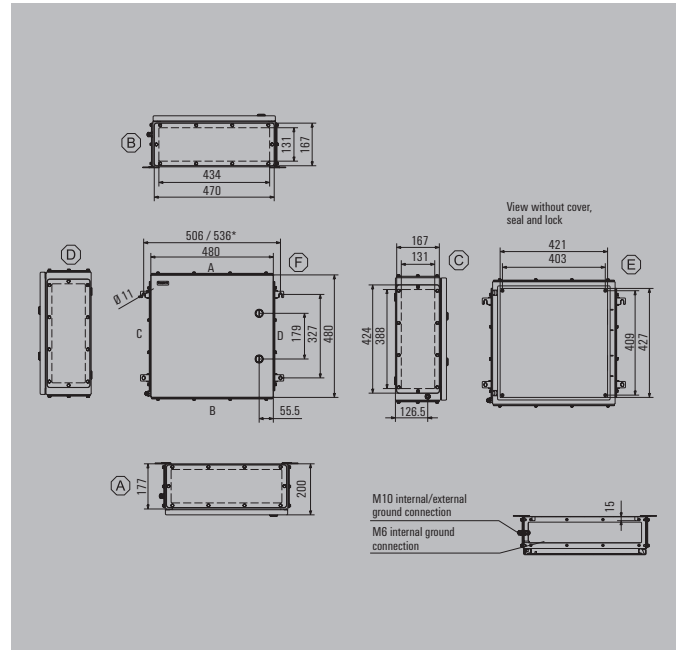
Label holder	Order No.
70 x 70 angled stainless steel 1.4301	1279320000
130x50 stainless steel 1.4301	1283450000
100x25 stainless steel 1.4301	1257640000

Document holder	Order No.
For DIN A6 size documents	1252780000
For DIN A5 size documents	1252750000
For DIN A4 size documents	1252730000

Set of fixings	Order No.
For label holders, rain hoods and document holders (rivet)	1252190000
For plastic (Trafolyte), identification plate (screw)	1285200000

Earthing stud	Order No.
Stainless steel 1.4404	1192690000

Note



Max. number of terminals (industry)

Max. number of terminals (industry)	vertical	horizontal
2.5 mm ²	4x78	4x77
4 mm ²	3x65	3x64
6 mm ²	3x49	3x48
10 mm ²	2x39	3x39
16 mm ²	2x33	2x32
35 mm ²	1x25	2x24

Note

*For enclosure versions with zero, one or two gland plates, the horizontal gap between the mounting feet is reduced by 30 mm. Assembly with terminal blocks provides for 10 mm clearance to the ends of the mounting rail. Recommended order: TS 35 mounting rail (screw terminal) WDU 2.5 1020000000 / (tension clamp terminal) ZDU 2.5 1608510000 / (tension clamp terminal) PDU 2.5 1896110000 TS 32 mounting rail (screw terminal) SAK 2.5 0279660000 TS 15 mounting rail (screw terminal) AKZ 2.5 0697160000

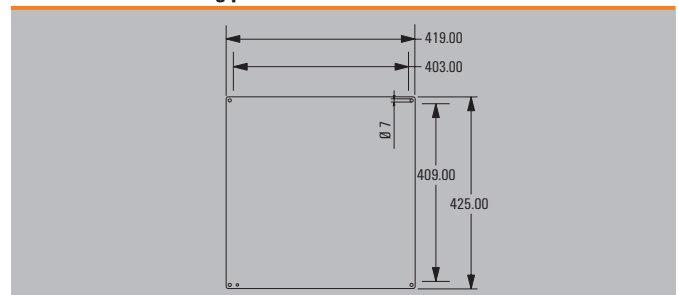
Number of cable entries

Number of cable entries	A / B	C / D
M12	65	60
M16	44	40
M20	29	26
M25	24	21
M32	13	12
M40	11	10
M50	5	4
M63	4	4
M75	3	3

Note

Our IP 68 brass cable glands serve as a reference for these recommended values.

Dimensions of mounting plate





Height/Width/Depth 550 / 350 / 150 mm

Ordering data

Stainless steel 1.4404 316L, electropolished	Order No.
1 gland plate - bottom	1200560000
2 gland plates - top and bottom sides (A & B)	1200570000
3 gland plates - bottom, left and right sides (B, C & D)	1200580000
4 gland plates - top, bottom, left and right sides (A, B, C & D)	1200590000

Note Painted sheet steel enclosure available on request. Standard colour is similar to RAL 7035.

Accessories

Mounting plates and fastening screws	Order No.
Steel sheet, zinc plated	1194010000
Stainless steel 1.4301	1193880000
With hole pattern, natural stainless steel 1.4301	1257720000
Fastening screws for mounting plates	0642600000
Fastening screws for terminal rails	1274150000

Stainless steel spacer M6 x 8, Set of 4	Order No.
10 mm length	0935110000
15 mm length	0935120000
20 mm length	0935130000
30 mm length	0935140000

Gland plates and screws - 6 mm	Order No.
Top and bottom sides (A & B), electropolished stainless steel 1.4404	1256570000
Left and right sides (C & D), electropolished stainless steel 1.4404	1256580000
Mounting screw, stainless steel 1.4404	1253230000

Mirror-polish Stainless steel 1.4301 rain hood (2R)	Order No.
	1281490000

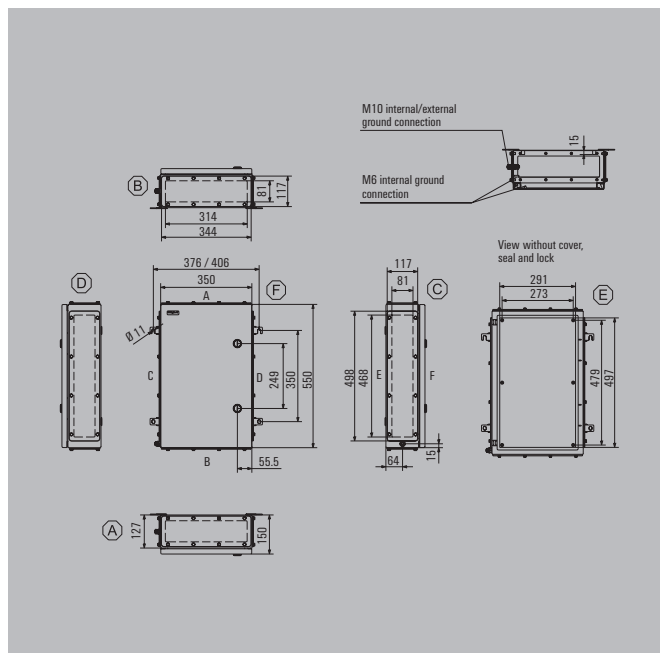
Label holder	Order No.
70 x 70 angled stainless steel 1.4301	1279320000
130x50 stainless steel 1.4301	1283450000
100x25 stainless steel 1.4301	1257640000

Document holder	Order No.
For DIN A6 size documents	1252780000
For DIN A5 size documents	1252750000
For DIN A4 size documents	

Set of fixings	Order No.
For label holders, rain hoods and document holders (rivet)	1252190000
For plastic (Trafolyte), identification plate (screw)	1285200000

Earthing stud	Order No.
Stainless steel 1.4404	1192690000

Note



Max. number of terminals (industry)

Max. number of terminals (industry)	vertical	horizontal
2.5 mm ²	2x91	4x52
4 mm ²	2x76	4x43
6 mm ²	2x58	4x32
10 mm ²	2x46	3x26
16 mm ²	1x39	3x22
35 mm ²	1x29	2x16



Note

*For enclosure versions with zero, one or two gland plates, the horizontal gap between the mounting feet is reduced by 30 mm. Assembly with terminal blocks provides for 10 mm clearance to the ends of the mounting rail. Recommended order: TS 35 mounting rail (screw terminal) WDU 2.5 1020000000 / (tension clamp terminal) ZDU 2.5 1608510000 / (tension clamp terminal) PDU 2.5 1896110000 TS 32 mounting rail (screw terminal) SAK 2.5 0279660000 TS 15 mounting rail (screw terminal) AKZ 2.5 0697160000

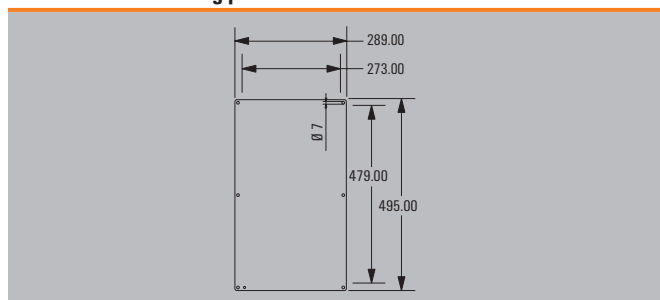
Number of cable entries

Number of cable entries	A / B	C / D
M12	27	42
M16	15	24
M20	13	20
M25	6	9
M32	5	7
M40	4	6
M50	3	5
M63	0	0
M75	0	0

Note

Our IP 68 brass cable glands are used as the reference for these guideline values.

Dimensions of mounting plate





Height/Width/Depth 550 / 350 / 200 mm

Ordering data

Stainless steel 1.4404 316L, electropolished	Order No.
1 gland plate - bottom	1200620000
2 gland plates - top and bottom sides (A & B)	1200630000
3 gland plates - bottom, left and right sides (B, C & D)	1200640000
4 gland plates - top, bottom, left and right sides (A, B, C & D)	1200650000

Note Painted sheet steel enclosure available on request. Standard colour is similar to RAL 7035.

Accessories

Mounting plates and fastening screws	Order No.
Steel sheet, zinc plated	1194010000
Stainless steel 1.4301	1193880000
With hole pattern, natural stainless steel 1.4301	1257720000
Fastening screws for mounting plates	0642600000
Fastening screws for terminal rails	1274150000

Stainless steel spacer M6 x 8, Set of 4	Order No.
10 mm length	0935110000
15 mm length	0935120000
20 mm length	0935130000
30 mm length	0935140000

Gland plates and screws - 6 mm	Order No.
Top and bottom sides (A & B), electropolished stainless steel 1.4404	1256590000
Left and right sides (C & D), electropolished stainless steel 1.4404	1256610000
Mounting screw, stainless steel 1.4404	1253230000

Mirror-polish Stainless steel 1.4301 rain hood (2R)	Order No.
	1281500000

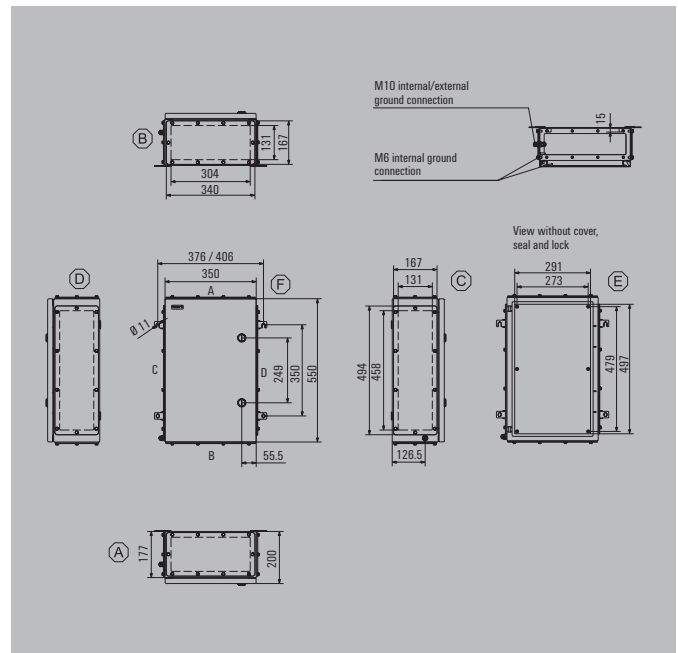
Label holder	Order No.
70 x 70 angled stainless steel 1.4301	1279320000
130x50 stainless steel 1.4301	1283450000
100x25 stainless steel 1.4301	1257640000

Document holder	Order No.
For DIN A6 size documents	1252780000
For DIN A5 size documents	1252750000
For DIN A4 size documents	

Set of fixings	Order No.
For label holders, rain hoods and document holders (rivet)	1252190000
For plastic (Trafolyte), identification plate (screw)	1285200000

Earthing stud	Order No.
Stainless steel 1.4404	1192690000

Note



Max. number of terminals (industry)

Max. number of terminals (industry)	vertical	horizontal
2.5 mm ²	2x91	4x52
4 mm ²	2x76	4x43
6 mm ²	2x58	4x32
10 mm ²	2x46	3x26
16 mm ²	1x39	3x22
35 mm ²	1x29	2x16

Note

*For enclosure versions with zero, one or two gland plates, the horizontal gap between the mounting feet is reduced by 30 mm. Assembly with terminal blocks provides for 10 mm clearance to the ends of the mounting rail. Recommended order: TS 35 mounting rail (screw terminal) WDU 2.5 1020000000 / (tension clamp terminal) ZDU 2.5 1608510000 / (tension clamp terminal) PDU 2.5 1896110000 TS 32 mounting rail (screw terminal) SAK 2.5 0279660000 TS 15 mounting rail (screw terminal) AKZ 2.5 0697160000

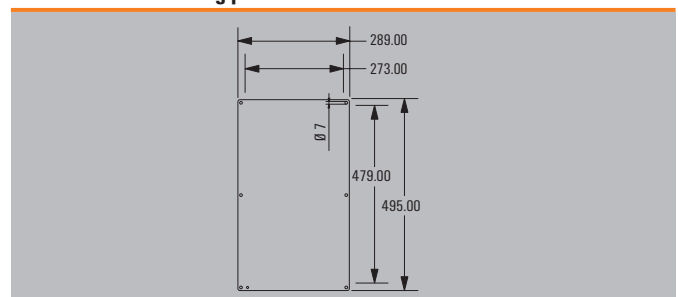
Number of cable entries

Number of cable entries	A / B	C / D
M12	45	70
M16	30	48
M20	20	30
M25	17	26
M32	9	14
M40	7	12
M50	3	5
M63	3	4
M75	2	3

Note

Our IP 68 brass cable glands serve as a reference for these recommended values.

Dimensions of mounting plate



Klippon® TB QL 624520

Depth 200 mm



Height/Width/Depth 620 / 450 / 200 mm

Ordering data

Stainless steel 1.4404 316L, electropolished	Order No.
1 gland plate - bottom	1200730000
2 gland plates - top and bottom sides (A & B)	1200740000
3 gland plates - bottom, left and right sides (B, C & D)	1200750000
4 gland plates - top, bottom, left and right sides (A, B, C & D)	1200760000

Note Painted sheet steel enclosure available on request. Standard colour is similar to RAL 7035.

Accessories

Mounting plates and fastening screws	Order No.
Steel sheet, zinc plated	1194020000
Stainless steel 1.4301	1193890000
With hole pattern, natural stainless steel 1.4301	1257740000
Fastening screws for mounting plates	0642600000
Fastening screws for terminal rails	1274150000

Stainless steel spacer M6 x 8, Set of 4	Order No.
10 mm length	0935110000
15 mm length	0935120000
20 mm length	0935130000
30 mm length	0935140000

Gland plates and screws - 6 mm	Order No.
Top and bottom sides (A & B), electropolished stainless steel 1.4404	1256640000
Left and right sides (C & D), electropolished stainless steel 1.4404	1256650000
Mounting screw, stainless steel 1.4404	1253230000

Mirror-polish Stainless steel 1.4301 rain hood (2R)	Order No.
	1281520000

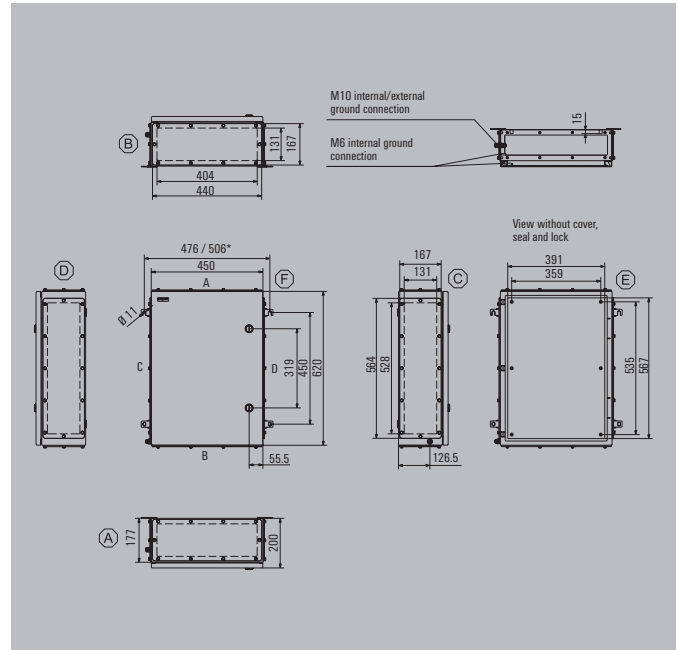
Label holder	Order No.
70 x 70 angled stainless steel 1.4301	1279320000
130x50 stainless steel 1.4301	1283450000
100x25 stainless steel 1.4301	1257640000

Document holder	Order No.
For DIN A6 size documents	1252780000
For DIN A5 size documents	1252750000
For DIN A4 size documents	1252730000

Set of fixings	Order No.
For label holders, rain hoods and document holders (rivet)	1252190000
For plastic (Trafolyte), identification plate (screw)	1285200000

Earthing stud	Order No.
Stainless steel 1.4404	1192690000

Note



Max. number of terminals (industry)

Max. number of terminals (industry)	vertical	horizontal
2.5 mm ²	3x105	5x71
4 mm ²	3x88	5x59
6 mm ²	3x66	4x45
10 mm ²	2x53	4x36
16 mm ²	2x44	3x30
35 mm ²	1x33	2x22

Note

*For enclosure versions with zero, one or two gland plates, the horizontal gap between the mounting feet is reduced by 30 mm. Assembly with terminal blocks provides for 10 mm clearance to the ends of the mounting rail. Recommended order: TS 35 mounting rail (screw terminal) WDU 2.5 1020000000 / (tension clamp terminal) ZDU 2.5 1608510000 / (tension clamp terminal) PDU 2.5 1896110000 TS 32 mounting rail (screw terminal) SAK 2.5 0279660000 TS 15 mounting rail (screw terminal) AKZ 2.5 0697160000

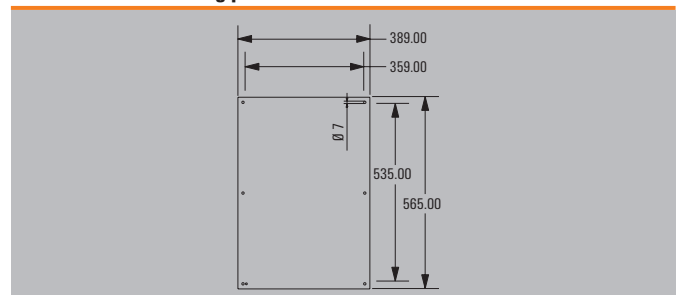
Number of cable entries

Number of cable entries	A / B	C / D
M12	63	80
M16	42	54
M20	27	36
M25	23	30
M32	12	17
M40	10	14
M50	4	6
M63	4	5
M75	3	4

Note

Our IP 68 brass cable glands serve as a reference for these recommended values.

Dimensions of mounting plate





Height/Width/Depth 762 / 508 / 150 mm

Ordering data

Stainless steel 1.4404 316L, electropolished	Order No.
1 gland plate - bottom	1200780000
2 gland plates - top and bottom sides (A & B)	1200790000
3 gland plates - bottom, left and right sides (B, C & D)	1200810000
4 gland plates - top, bottom, left and right sides (A, B, C & D)	1200820000

Note Painted sheet steel enclosure available on request. Standard colour is similar to RAL 7035.

Accessories

Mounting plates and fastening screws	Order No.
Steel sheet, zinc plated	1194030000
Stainless steel 1.4301	1193900000
With hole pattern, natural stainless steel 1.4301	1257750000
Fastening screws for mounting plates	0642600000
Fastening screws for terminal rails	1274150000

Stainless steel spacer M6 x 8, Set of 4	Order No.
10 mm length	0935110000
15 mm length	0935120000
20 mm length	0935130000
30 mm length	0935140000

Gland plates and screws - 6 mm	Order No.
Top and bottom sides (A & B), electropolished stainless steel 1.4404	1256660000
Left and right sides (C & D), electropolished stainless steel 1.4404	1256670000
Mounting screw, stainless steel 1.4404	1253230000

Mirror-polish Stainless steel 1.4301 rain hood (2R)	Order No.
	1281530000

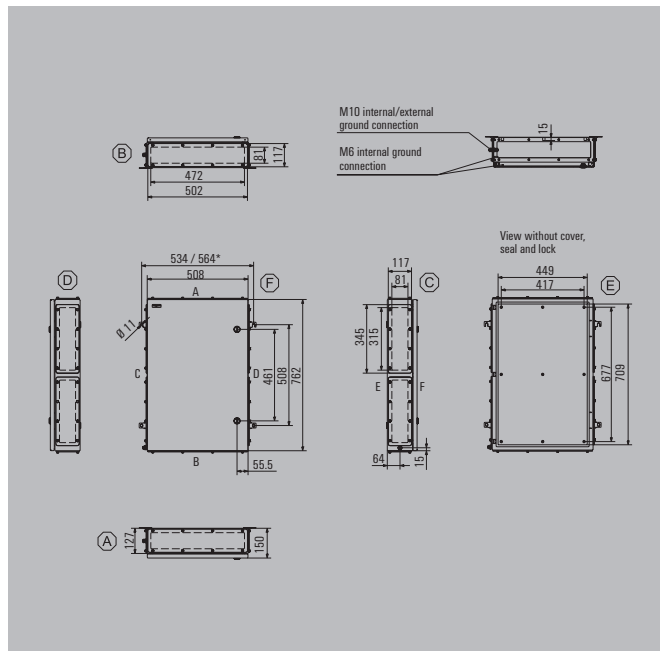
Label holder	Order No.
70 x 70 angled stainless steel 1.4301	1279320000
130x50 stainless steel 1.4301	1283450000
100x25 stainless steel 1.4301	1257640000

Document holder	Order No.
For DIN A6 size documents	1252780000
For DIN A5 size documents	1252750000
For DIN A4 size documents	1252730000

Set of fixings	Order No.
For label holders, rain hoods and document holders (rivet)	1252190000
For plastic (Trafolyte), identification plate (screw)	1285200000

Earthing stud	Order No.
Stainless steel 1.4404	1192690000

Note



Max. number of terminals (industry)

Max. number of terminals (industry)	vertical	horizontal
2.5 mm ²	4x132	7x82
4 mm ²	4x111	6x69
6 mm ²	3x83	5x52
10 mm ²	3x67	5x42
16 mm ²	2x56	4x35
35 mm ²	2x42	3x26

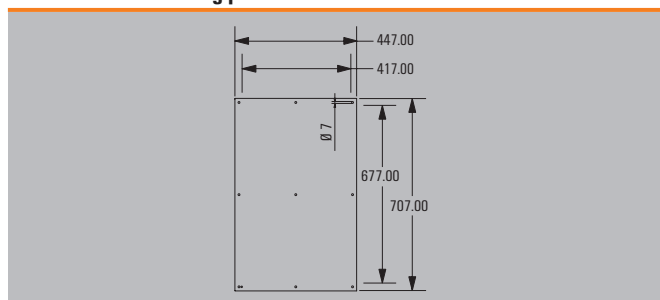
Note *For enclosure versions with zero, one or two gland plates, the horizontal gap between the mounting feet is reduced by 30 mm. Assembly with terminal blocks provides for 10 mm clearance to the ends of the mounting rail. Recommended order: TS 35 mounting rail (screw terminal) WDU 2.5 1020000000 / (tension clamp terminal) ZDU 2.5 1608510000 / (tension clamp terminal) PDU 2.5 1896110000 TS 32 mounting rail (screw terminal) SAK 2.5 0279660000 TS 15 mounting rail (screw terminal) AKZ 2.5 0697160000

Number of cable entries

Number of cable entries	A / B	C / D
M12	42	58
M16	24	32
M20	21	26
M25	9	12
M32	7	10
M40	6	8
M50	5	6
M63	0	0
M75	0	0

Note Our IP 68 brass cable glands serve as a reference for these recommended values.

Dimensions of mounting plate



Klippon® TB QL 765020

Depth 200 mm



Height/Width/Depth 762 / 508 / 200 mm

Ordering data

Stainless steel 1.4404 316L, electropolished	Order No.
1 gland plate - bottom	1200840000
2 gland plates - top and bottom sides (A & B)	1200850000
3 gland plates - bottom, left and right sides (B, C & D)	1200860000
4 gland plates - top, bottom, left and right sides (A, B, C & D)	1200870000

Note Painted sheet steel enclosure available on request. Standard colour is similar to RAL 7035.

Accessories

Mounting plates and fastening screws	Order No.
Steel sheet, zinc plated	1194030000
Stainless steel 1.4301	1193900000
With hole pattern, natural stainless steel 1.4301	1257750000
Fastening screws for mounting plates	0642600000
Fastening screws for terminal rails	1274150000

Stainless steel spacer M6 x 8, Set of 4	Order No.
10 mm length	0935110000
15 mm length	0935120000
20 mm length	0935130000
30 mm length	0935140000

Gland plates and screws - 6 mm	Order No.
Top and bottom sides (A & B), electropolished stainless steel 1.4404	1256680000
Left and right sides (C & D), electropolished stainless steel 1.4404	1256690000
Mounting screw, stainless steel 1.4404	1253230000

Mirror-polish Stainless steel 1.4301 rain hood (2R)	Order No.
	1281540000

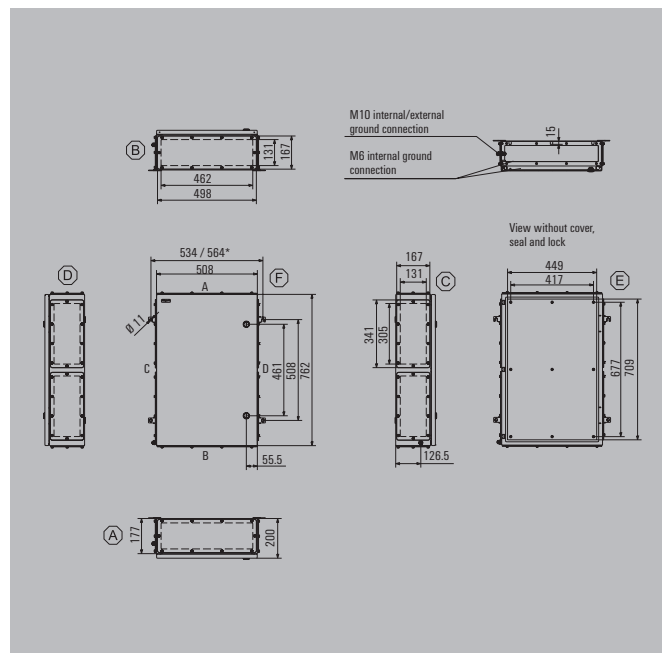
Label holder	Order No.
70 x 70 angled stainless steel 1.4301	1279320000
130x50 stainless steel 1.4301	1283450000
100x25 stainless steel 1.4301	1257640000

Document holder	Order No.
For DIN A6 size documents	1252780000
For DIN A5 size documents	1252750000
For DIN A4 size documents	1252730000

Set of fixings	Order No.
For label holders, rain hoods and document holders (rivet)	1252190000
For plastic (Trafolyte), identification plate (screw)	1285200000

Earthing stud	Order No.
Stainless steel 1.4404	1192690000

Note



Max. number of terminals (industry)

Max. number of terminals (industry)	vertical	horizontal
2.5 mm ²	4x132	7x82
4 mm ²	4x111	6x69
6 mm ²	3x83	5x52
10 mm ²	3x67	5x42
16 mm ²	2x56	4x35
35 mm ²	2x42	3x26

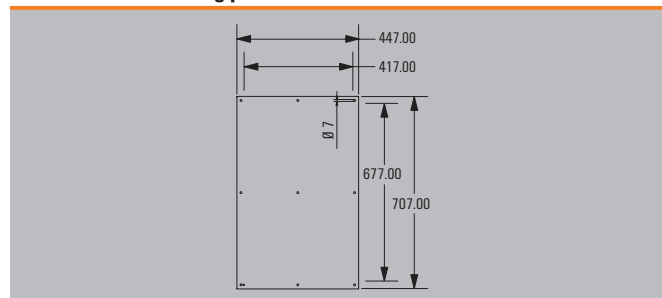
Note *For enclosure versions with zero, one or two gland plates, the horizontal gap between the mounting feet is reduced by 30 mm. Assembly with terminal blocks provides for 10 mm clearance to the ends of the mounting rail. Recommended order: TS 35 mounting rail (screw terminal) WDU 2.5 1020000000 / (tension clamp terminal) ZDU 2.5 1608510000 / (tension clamp terminal) PDU 2.5 1896110000 TS 32 mounting rail (screw terminal) SAK 2.5 0279660000 TS 15 mounting rail (screw terminal) AKZ 2.5 0697160000

Number of cable entries

Number of cable entries	A / B	C / D
M12	70	96
M16	48	64
M20	32	40
M25	26	34
M32	14	18
M40	12	14
M50	5	6
M63	4	6
M75	3	4

Note Our IP 68 brass cable glands are used as the reference for these guideline values.

Dimensions of mounting plate





Height/Width/Depth 914 / 610 / 150 mm

Ordering data

Stainless steel 1.4404 316L, electropolished	Order No.
1 gland plate - bottom	1200890000
2 gland plates - top and bottom sides (A & B)	1200910000
3 gland plates - bottom, left and right sides (B, C & D)	1200920000
4 gland plates - top, bottom, left and right sides (A, B, C & D)	1200930000

Note Painted sheet steel enclosure available on request. Standard colour is similar to RAL 7035.

Accessories

Mounting plates and fastening screws	Order No.
Steel sheet, zinc plated	1194040000
Stainless steel 1.4301	1193910000
With hole pattern, natural stainless steel 1.4301	1257760000
Fastening screws for mounting plates	0642600000
Fastening screws for terminal rails	1274150000

Stainless steel spacer M6 x 8, Set of 4	Order No.
10 mm length	0935110000
15 mm length	0935120000
20 mm length	0935130000
30 mm length	0935140000

Gland plates and screws - 6 mm	Order No.
Top and bottom sides (A & B), electropolished stainless steel 1.4404	1256710000
Left and right sides (C & D), electropolished stainless steel 1.4404	1256720000
Mounting screw, stainless steel 1.4404	1253230000

Mirror-polish Stainless steel 1.4301 rain hood (2R)	Order No.
	1281550000

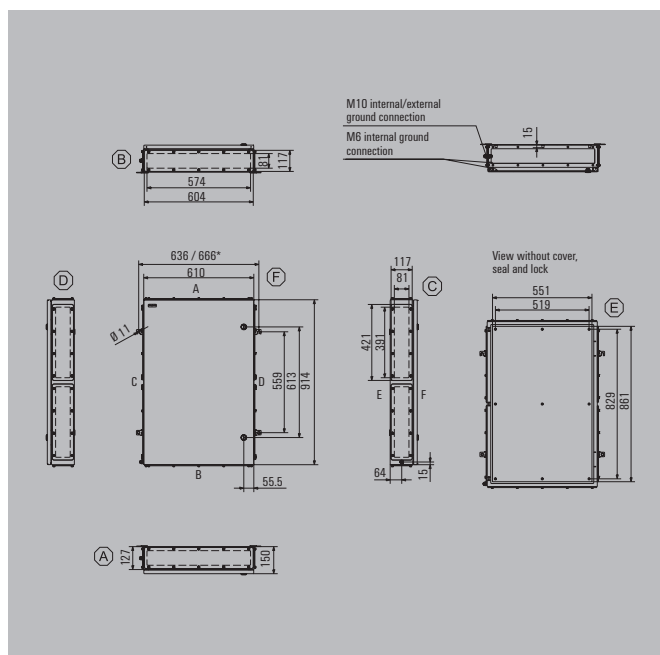
Label holder	Order No.
70 x 70 angled stainless steel 1.4301	1279320000
130x50 stainless steel 1.4301	1283450000
100x25 stainless steel 1.4301	1257640000

Document holder	Order No.
For DIN A6 size documents	1252780000
For DIN A5 size documents	1252750000
For DIN A4 size documents	1252730000

Set of fixings	Order No.
For label holders, rain hoods and document holders (rivet)	1252190000
For plastic (Trafolyte), identification plate (screw)	1285200000

Earthing stud	Order No.
Stainless steel 1.4404	1192690000

Note



Max. number of terminals (industry)

Max. number of terminals (industry)	vertical	horizontal
2.5 mm ²	5x161	8x102
4 mm ²	4x135	7x85
6 mm ²	4x102	7x64
10 mm ²	3x82	6x52
16 mm ²	3x68	5x43
35 mm ²	2x51	4x32



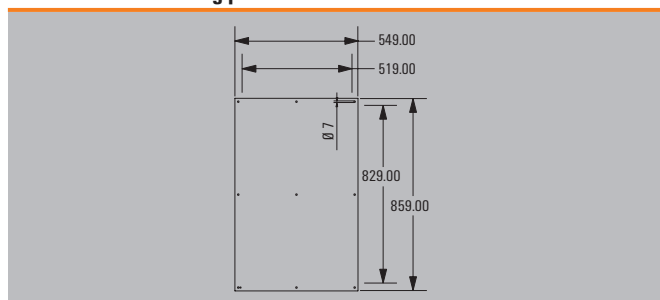
Note *For enclosure versions with zero, one or two gland plates, the horizontal gap between the mounting feet is reduced by 30 mm. Assembly with terminal blocks provides for 10 mm clearance to the ends of the mounting rail. Recommended order: TS 35 mounting rail (screw terminal) WDU 2.5 1020000000 / (tension clamp terminal) ZDU 2.5 1608510000 / (tension clamp terminal) PDU 2.5 1896110000 TS 32 mounting rail (screw terminal) SAK 2.5 0279660000 TS 15 mounting rail (screw terminal) AKZ 2.5 0697160000

Number of cable entries

Number of cable entries	A / B	C / D
M12	53	70
M16	29	40
M20	25	34
M25	11	14
M32	9	12
M40	8	10
M50	6	8
M63	0	0
M75	0	0

Note Our IP 68 brass cable glands are used as the reference for these guideline values.

Dimensions of mounting plate



Klippon® TB QL 916120

Depth 200 mm



Height/Width/Depth 914 / 610 / 200 mm

Ordering data

Stainless steel 1.4404 316L, electropolished	Order No.
1 gland plate - bottom	1200950000
2 gland plates - top and bottom sides (A & B)	1200960000
3 gland plates - bottom, left and right sides (B, C & D)	1200970000
4 gland plates - top, bottom, left and right sides (A, B, C & D)	1200980000

Note Painted sheet steel enclosure available on request. Standard colour is similar to RAL 7035.

Accessories

Mounting plates and fastening screws	Order No.
Steel sheet, zinc plated	1194040000
Stainless steel 1.4301	1193910000
With hole pattern, natural stainless steel 1.4301	1257760000
Fastening screws for mounting plates	0642600000
Fastening screws for terminal rails	1274150000

Stainless steel spacer M6 x 8, Set of 4	Order No.
10 mm length	0935110000
15 mm length	0935120000
20 mm length	0935130000
30 mm length	0935140000

Gland plates and screws - 6 mm	Order No.
Top and bottom sides (A & B), electropolished stainless steel 1.4404	1256730000
Left and right sides (C & D), electropolished stainless steel 1.4404	1256740000
Mounting screw, stainless steel 1.4404	1253230000

Mirror-polish Stainless steel 1.4301 rain hood (2R)	Order No.
	1281570000

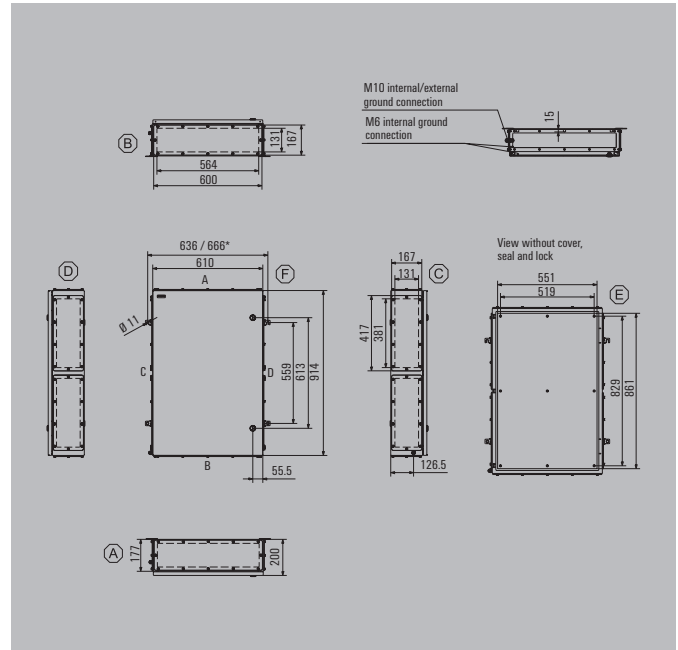
Label holder	Order No.
70 x 70 angled stainless steel 1.4301	1279320000
130x50 stainless steel 1.4301	1283450000
100x25 stainless steel 1.4301	1257640000

Document holder	Order No.
For DIN A6 size documents	1252780000
For DIN A5 size documents	1252750000
For DIN A4 size documents	1252730000

Set of fixings	Order No.
For label holders, rain hoods and document holders (rivet)	1252190000
For plastic (Trafolyte), identification plate (screw)	1285200000

Earthing stud	Order No.
Stainless steel 1.4404	1192690000

Note



Max. number of terminals (industry)

Max. number of terminals (industry)	vertical	horizontal
2.5 mm ²	5x161	8x102
4 mm ²	4x135	7x85
6 mm ²	4x102	7x64
10 mm ²	3x82	6x52
16 mm ²	3x68	5x43
35 mm ²	2x51	4x32

Note

*For enclosure versions with zero, one or two gland plates, the horizontal gap between the mounting feet is reduced by 30 mm. Assembly with terminal blocks provides for 10 mm clearance to the ends of the mounting rail. Recommended order: TS 35 mounting rail (screw terminal) WDU 2.5 1020000000 / (tension clamp terminal) ZDU 2.5 1608510000 / (tension clamp terminal) PDU 2.5 1896110000 TS 32 mounting rail (screw terminal) SAK 2.5 0279660000 TS 15 mounting rail (screw terminal) AKZ 2.5 0697160000

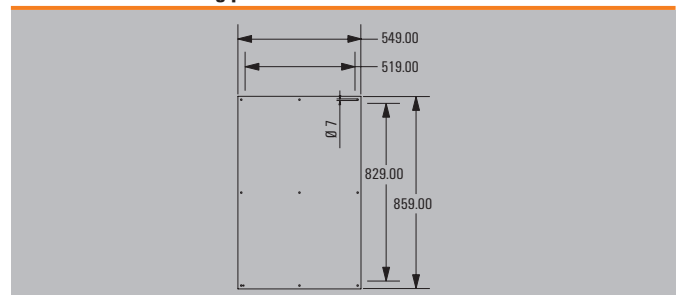
Number of cable entries

Number of cable entries	A / B	C / D
M12	88	116
M16	58	80
M20	38	52
M25	33	42
M32	18	24
M40	15	20
M50	6	8
M63	5	6
M75	4	6

Note

Our IP 68 brass cable glands serve as a reference for these recommended values.

Dimensions of mounting plate





Height/Width/Depth 980 / 740 / 200 mm

Ordering data

Stainless steel 1.4404 316L, electropolished	Order No.
1 gland plate - bottom	1201010000
2 gland plates - top and bottom sides (A & B)	1201020000
3 gland plates - bottom, left and right sides (B, C & D)	1201030000
4 gland plates - top, bottom, left and right sides (A, B, C & D)	1201040000

Note Painted sheet steel enclosure available on request. Standard colour is similar to RAL 7035.

Accessories

Mounting plates and fastening screws	Order No.
Steel sheet, zinc plated	1194050000
Stainless steel 1.4301	1193920000
With hole pattern, natural stainless steel 1.4301	1257770000
Fastening screws for mounting plates	0642600000
Fastening screws for terminal rails	1274150000

Stainless steel spacer M6 x 8, Set of 4	Order No.
10 mm length	0935110000
15 mm length	0935120000
20 mm length	0935130000
30 mm length	0935140000

Gland plates and screws - 6 mm	Order No.
Top and bottom sides (A & B), electropolished stainless steel 1.4404	1256750000
Left and right sides (C & D), electropolished stainless steel 1.4404	1256760000
Mounting screw, stainless steel 1.4404	1253230000

Mirror-polish Stainless steel 1.4301 rain hood (2R)	Order No.
	1281580000

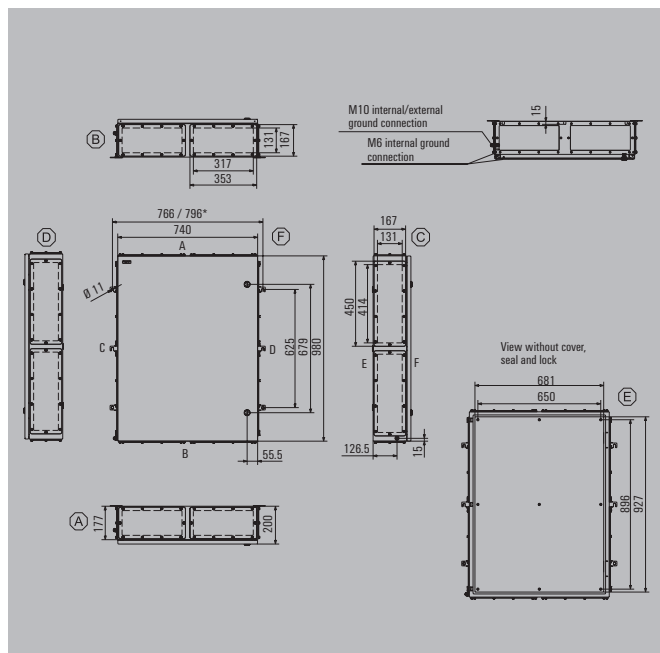
Label holder	Order No.
70 x 70 angled stainless steel 1.4301	1279320000
130x50 stainless steel 1.4301	1283450000
100x25 stainless steel 1.4301	1257640000

Document holder	Order No.
For DIN A6 size documents	1252780000
For DIN A5 size documents	1252750000
For DIN A4 size documents	1252730000

Set of fixings	Order No.
For label holders, rain hoods and document holders (rivet)	1252190000
For plastic (Trafolyte), identification plate (screw)	1285200000

Earthing stud	Order No.
Stainless steel 1.4404	1192690000

Note



Max. number of terminals (industry)

Max. number of terminals (industry)	vertical	horizontal
2.5 mm ²	6x174	9x127
4 mm ²	6x146	8x106
6 mm ²	5x110	7x80
10 mm ²	4x88	6x64
16 mm ²	4x74	5x54
35 mm ²	3x55	4x40



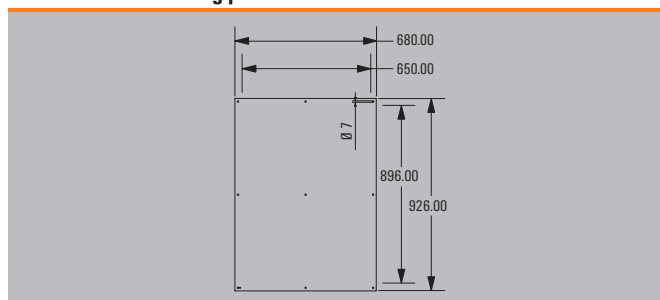
Note *For enclosure versions with zero, one or two gland plates, the horizontal gap between the mounting feet is reduced by 30 mm. Assembly with terminal blocks provides for 10 mm clearance to the ends of the mounting rail. Recommended order: TS 35 mounting rail (screw terminal) WDU 2.5 1020000000 / (tension clamp terminal) ZDU 2.5 1608510000 / (tension clamp terminal) PDU 2.5 1896110000 TS 32 mounting rail (screw terminal) SAK 2.5 0279660000 TS 15 mounting rail (screw terminal) AKZ 2.5 0697160000

Number of cable entries

Number of cable entries	A / B	C / D
M12	96	126
M16	64	84
M20	42	54
M25	36	48
M32	20	26
M40	16	22
M50	6	10
M63	6	8
M75	4	6

Note Our IP 68 brass cable glands serve as a reference for these recommended values.

Dimensions of mounting plate



Klippon® TB FS - Fixing Screw

**Steel enclosures
for use in industrial and in explosive hazard areas**

The Klippon® TB enclosure range features superior performance characteristics, even in the most extreme environmental surroundings. In addition, it meets the rigorous requirements of potentially explosive atmospheres that can be found in the process or power generation industries. The new Klippon® TB FS enclosure range complements our Klippon® TB MH and Klippon® TB QL standard enclosures.

Weidmüller can manufacture and supply this enclosure to match customer specifications and fitted with all necessary terminals and cable glands.



NEW



Overview of enclosures

Ordering data

Description	Length x width x depth in mm	1 Gland Plate (below)	2 Gland Plates (above + below)	3 Gland Plates (below + sides)	4 Gland Plates (all sides)
KTB FS 221513 S4E_*	229 x 152 x 133	1195660000	1195670000	1195680000	1195690000
KTB FS 262615 S4E_*	260 x 260 x 150	1195710000	1195720000	1195730000	1195740000
KTB FS 262620 S4E_*	260 x 260 x 200	1195760000	1195770000	1195780000	1195790000
KTB FS 303015 S4E_*	306 x 306 x 150	1195810000	1195820000	1195830000	1195840000
KTB FS 303020 S4E_*	306 x 306 x 200	1195860000	1195870000	1195880000	1195890000
KTB FS 352615 S4E_*	350 x 260 x 150	1195910000	1195920000	1195930000	1195940000
KTB FS 352620 S4E_*	350 x 260 x 200	1195960000	1195970000	1195980000	1195990000
KTB FS 403015 S4E_*	400 x 300 x 150	1196010000	1196020000	1196030000	1196040000
KTB FS 403020 S4E_*	400 x 300 x 200	1196060000	1196070000	1196080000	1196090000
KTB FS 453815 S4E_*	458 x 382 x 150	1196110000	1196120000	1196130000	1196140000
KTB FS 453820 S4E_*	458 x 382 x 200	1196160000	1196170000	1196180000	1196190000
KTB FS 484815 S4E_*	480 x 480 x 150	1196210000	1196220000	1196230000	1196240000
KTB FS 484820 S4E_*	480 x 480 x 200	1196260000	1196270000	1196280000	1196290000
KTB FS 553515 S4E_*	550 x 350 x 150	1196310000	1196320000	1196330000	1196340000
KTB FS 553520 S4E_*	550 x 350 x 200	1196360000	1196370000	1196380000	1196390000
KTB FS 624515 S4E_*	620 x 450 x 150	1196410000	1196420000	1196430000	1196440000
KTB FS 624520 S4E_*	620 x 450 x 200	1196460000	1196470000	1196480000	1196490000
KTB FS 765015 S4E_*	762 x 508 x 150	1196510000	1196520000	1196530000	1196540000
KTB FS 765020 S4E_*	762 x 508 x 200	1196560000	1196570000	1196580000	1196590000
KTB FS 916115 S4E_*	914 x 610 x 150	1196610000	1196620000	1196630000	1196640000
KTB FS 916120 S4E_*	914 x 610 x 200	1196660000	1196670000	1196680000	1196690000
KTB FS 987420 S4E_*	980 x 740 x 200	1196710000	1196720000	1196730000	1196740000

Note

The Klippon® TB FS enclosures are only available on request and subject to a minimum order quantity.
* Placeholder for the number of flange plates (1, 2, 3, 4). Klippon® TB FS enclosures without flange plates are available on request.

Technical Overview

Features

- Available in 12 sizes and 3 standard depths
- Equipped with up to 4 gland plates
- The gasket is protected against compression
- Cover lock outside the sealed zone
- Improved temperature performance
- IP66/IP67 protection
- Earth studs in enclosure cover and bottom section
- Welded mounting feet

Note

Technical data

Enclosure material	Stainless steel 1.4404 (316L) 1.5 mm
Surface	Electroplished
IP protection class	IP 66 / IP 67 (IP 66 to IEC EN 60079-0)
NEMA Rating	3, 4x, 12
Gland plates	1 - 4 (fixed with M6 hexagon head screws with a slot and 10 mm heads), optionally without a gland plate
Gland plate thickness	3 mm (other thickness of up to 20 mm are available on request)
Earthing inside	Enclosure base: welded M6 stainless steel earth studs
Earthing outside	Continuous M10 brass earth stud (optionally with stainless-steel earth stud)
Installation mounting	4 or 9 mounting bolts with M6 threaded holes to attach the mounting plate or mounting rails
Enclosure attachment	by means of 4 welded-on mounting feet with 11 mm holes (2 slots and 2 circular mounting feet)
Lid opening	Fully removable lid
Lid fixing	M6 hexagon head slotted screws SW10
Impact resistance	7 J ATEX applications, 10 J industrial applications
Gasket material	Silicone
Operating temperature range*	-60 °C...+135 °C*
Torque - cover and flange plate screws**	2,5 Nm
Note	*If used in temperature ranges above 105 °C, IP protection is limited to IP 66. **For securing the cover we recommend our 10 mm hexagonal socket wrench (9009070000)

Approvals for empty enclosures

ATEX certificate	KEMA 10ATEX0044 U
ATEX marking	II 2 G Ex e IIC Gb II 2 D Ex tb IIIC Db IP66/67
IECEx certificate	IECEx KEM 10.0013U
IECEx marking	Ex e IIC Gb Ex tb IIIC Db IP66/67
GOST Ex	POCC DE.ME92.B02036
CCOE	P267536/1
cULus	E243298
Germanischer Lloyd	11535 - 10 HH
Russian Maritime Register	10.04094.250
INMETRO	In preparation
Note	The Klippon® TB FS enclosure range can be pre-fitted in our customer specific production department according to your wishes; as an example, terminals, or other approved components, can be installed as required.

Approvals for control and distribution box

ATEX certificate	KEMA 10ATEX0048
ATEX marking	II 2 G Ex e IIC T...Gb II 1 G Ex ia IIC T...Ga II 2(1) G Ex e [ia Ga] IIC T...Gb II 2 D Ex tb IIIC T85 °C...T135 °C Db IP66/67
IECEx certificate	IECEx KEM 10.0019
IECEx marking	Ex e IIC T...Gb Ex ia IIC T...Ga Ex e [ia Ga] IIC T...Gb Ex tb IIIC T85 °C...T135 °C Db IP66/67
Note	

Integrate, expand and customise: the perfect supplement to every application

The fully structured range of system accessories for the Klippon® TB enclosure range allows you to easily adapt the enclosure to meet the specific requirements of every application.

The following options are available:

1 Document holder

Document holders for storage of important documents in the enclosure.

2 Earthing studs

Earthing studs are replaceable. Available in two versions – brass and stainless steel.

3 Gland plates

Gland plates are available as spares and also in various material thicknesses.

4 Mounting plates

Mounting plates with and without a drilling pattern, for horizontal and vertical mounting of rails, or components fitted directly.

5 Mounting hardware kits

Mounting hardware kits are available for quick and easy installation of label holders, mounting plates, gland plates, document holders and rain hoods.

6 Door stay

A door stay prevent the door from being closed unintentionally, regardless of the mounting position of the enclosure. This item is **only** available Ex-works.

7 Locking systems

Various locking systems are available for the safe securing of the enclosure. There are padlocks for the Klippon® TB MH enclosures and a range of lock inserts for the Klippon® TB QL enclosures.

8 Type label holder

A range of label holders are available for product identification.





Height/Width/Depth 229 / 152 / 133 mm

Ordering data

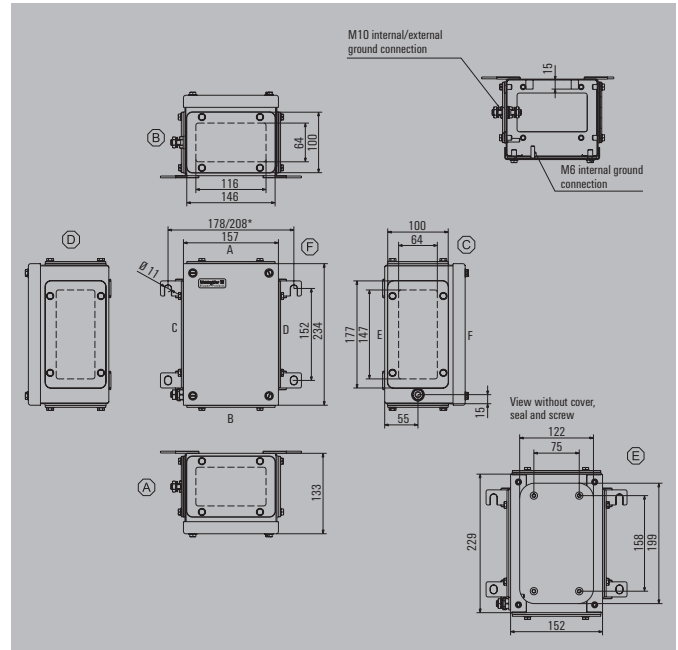
Stainless steel 1.4404 316L, electropolished	Order No.
1 gland plate - bottom side (B)	1195660000
2 gland plates - top and bottom sides (A & B)	1195670000
3 gland plates - bottom, left and right sides (B, C & D)	1195680000
4 gland plates - top, bottom, left and right sides (A, B, C & D)	1195690000

Note Painted sheet steel enclosure available on request. The colours of painted enclosures may vary under certain circumstances.

Accessories

Mounting plates and fastening screws	Order No.
Steel sheet, zinc plated	1193930000
Stainless steel 1.4301	1193810000
With hole pattern, natural stainless steel 1.4301	1257650000
Fastening screws for mounting plates	0642600000
Fastening screws for terminal rails	1274150000
Stainless steel spacer M6 x 8, Set of 4	
10 mm length	0935110000
15 mm length	0935120000
20 mm length	0935130000
30 mm length	0935140000
Gland plates and screws - 6 mm	
Top and bottom sides (A & B), electropolished stainless steel 1.4404	1256270000
Left and right sides (C & D), electropolished stainless steel 1.4404	1256280000
Mounting screw, stainless steel 1.4404	1253230000
Label holder	
70 x 70 angled stainless steel 1.4301	1279320000
130x50 stainless steel 1.4301	1283450000
100x25 stainless steel 1.4301	1257640000
Document holder	
For DIN A6 size documents	
For DIN A5 size documents	
For DIN A4 size documents	
Set of fixings	
For label holders, rain hoods and document holders (rivet)	1252190000
For plastic (Trafolyte), identification plate (screw)	1285200000
Earthing stud	
Stainless steel 1.4404	1192690000

Note



Max. number of terminals (industry)

Max. number of terminals (industry)	vertical	horizontal
2.5 mm ²	1x29	1x15
4 mm ²	1x22	1x13
6 mm ²	1x16	1x9
10 mm ²	1x13	1x7
16 mm ²	1x11	1x6
35 mm ²	1x8	1x3



Note

*For the enclosure versions with no, one or two gland plates, the horizontal distance between the mounting feet is reduced by 30 mm. The assembly with modular terminals gives consideration to a distance of 10 mm from the end of each mounting rail. Order recommendations: TS 35 mounting rail (screw terminal) WDU 2.5 1020000000 / (tension clamp terminal) ZDU 2.5 1608510000 / (tension clamp terminal) PDU 2.5 1896110000 TS 32 mounting rail (screw terminal) SAK 2.5 0279660000 TS 15 mounting rail (screw terminal) AKZ 2.5 0697160000

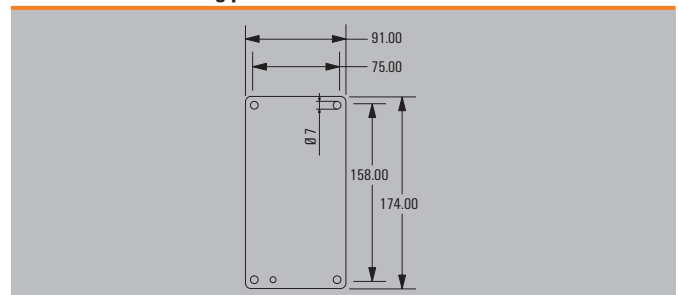
Number of cable entries

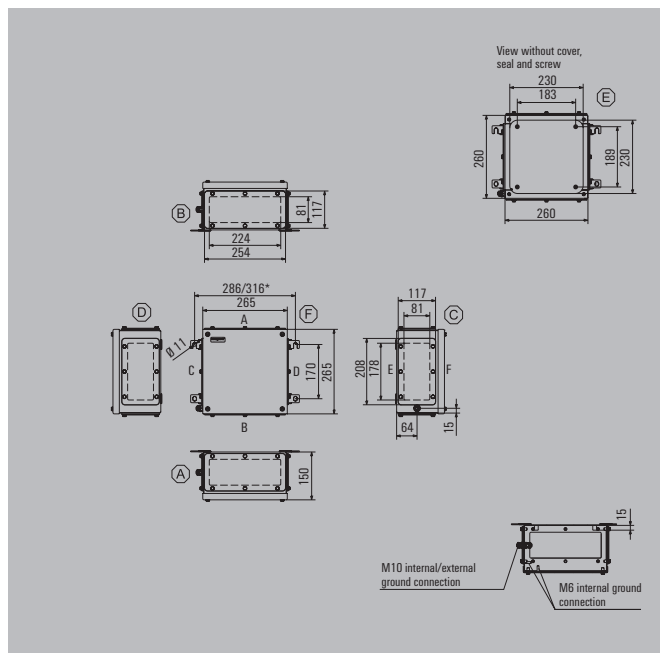
Number of cable entries	A / B	C / D
M12	6	8
M16	5	6
M20	2	3
M25	2	2
M32	1	2
M40	1	2
M50	0	0
M63	0	0
M75	0	0

Note

Our IP 68 brass cable glands are used as the reference for these guideline values.

Dimensions of mounting plate





Height/Width/Depth 260 / 260 / 150 mm

Ordering data

Stainless steel 1.4404 316L, electropolished	Order No.
1 gland plate - bottom side (B)	1195710000
2 gland plates - top and bottom sides (A & B)	1195720000
3 gland plates - bottom, left and right sides (B, C & D)	1195730000
4 gland plates - top, bottom, left and right sides (A, B, C & D)	1195740000

Note Painted sheet steel enclosure available on request. The colours of painted enclosures may vary under certain circumstances.

Accessories

Mounting plates and fastening screws	Order No.
Steel sheet, zinc plated	1193950000
Stainless steel 1.4301	1193820000
With hole pattern, natural stainless steel 1.4301	1257660000
Fastening screws for mounting plates	0642600000
Fastening screws for terminal rails	1274150000
Stainless steel spacer M6 x 8, Set of 4	
10 mm length	0935110000
15 mm length	0935120000
20 mm length	0935130000
30 mm length	0935140000
Gland plates and screws - 6 mm	
Top and bottom sides (A & B), electropolished stainless steel 1.4404	1256290000
Left and right sides (C & D), electropolished stainless steel 1.4404	1256310000
Mounting screw, stainless steel 1.4404	1253230000
Label holder	
70 x 70 angled stainless steel 1.4301	1279320000
130x50 stainless steel 1.4301	1283450000
100x25 stainless steel 1.4301	1257640000
Document holder	
For DIN A6 size documents	1252780000
For DIN A5 size documents	
For DIN A4 size documents	
Set of fixings	
For label holders, rain hoods and document holders (rivet)	1252190000
For plastic (Trafolyte), identification plate (screw)	1285200000
Earthing stud	
Stainless steel 1.4404	1192690000

Note

Max. number of terminals (industry)

Max. number of terminals (industry)	vertical	horizontal
2.5 mm ²	2x35	2x34
4 mm ²	1x30	1x29
6 mm ²	1x22	1x22
10 mm ²	1x18	1x17
16 mm ²	1x15	1x14
35 mm ²	1x10	1x10



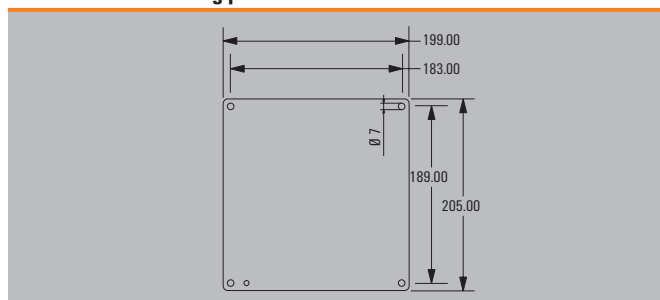
Note *For the enclosure versions with no, one or two gland plates, the horizontal distance between the mounting feet is reduced by 30 mm. The assembly with modular terminals gives consideration to a distance of 10 mm from the end of each mounting rail. Order recommendations: TS 35 mounting rail (screw terminal) WDU 2.5 1020000000 / (tension clamp terminal) ZDU 2.5 1608510000 / (tension clamp terminal) PDU 2.5 1896110000 TS 32 mounting rail (screw terminal) SAK 2.5 0279660000 TS 15 mounting rail (screw terminal) AKZ 2.5 0697160000

Number of cable entries

Number of cable entries	A / B	C / D
M12	20	15
M16	11	8
M20	9	7
M25	4	3
M32	3	2
M40	3	2
M50	2	2
M63	0	0
M75	0	0

Note Our IP 68 brass cable glands are used as the reference for these guideline values.

Dimensions of mounting plate





Height/Width/Depth 260 / 260 / 200 mm

Ordering data

Stainless steel 1.4404 316L, electropolished	Order No.
1 gland plate - bottom side (B)	1195760000
2 gland plates - top and bottom sides (A & B)	1195770000
3 gland plates - bottom, left and right sides (B, C & D)	1195780000
4 gland plates - top, bottom, left and right sides (A, B, C & D)	1195790000

Note Painted sheet steel enclosure available on request. The colours of painted enclosures may vary under certain circumstances.

Accessories

Mounting plates and fastening screws	Order No.
Steel sheet, zinc plated	1193950000
Stainless steel 1.4301	1193820000
With hole pattern, natural stainless steel 1.4301	1257660000
Fastening screws for mounting plates	0642600000
Fastening screws for terminal rails	1274150000

Stainless steel spacer M6 x 8, Set of 4	Order No.
10 mm length	0935110000
15 mm length	0935120000
20 mm length	0935130000
30 mm length	0935140000

Gland plates and screws - 6 mm	Order No.
Top and bottom sides (A & B), electropolished stainless steel 1.4404	1256320000
Left and right sides (C & D), electropolished stainless steel 1.4404	1256330000
Mounting screw, stainless steel 1.4404	1253230000

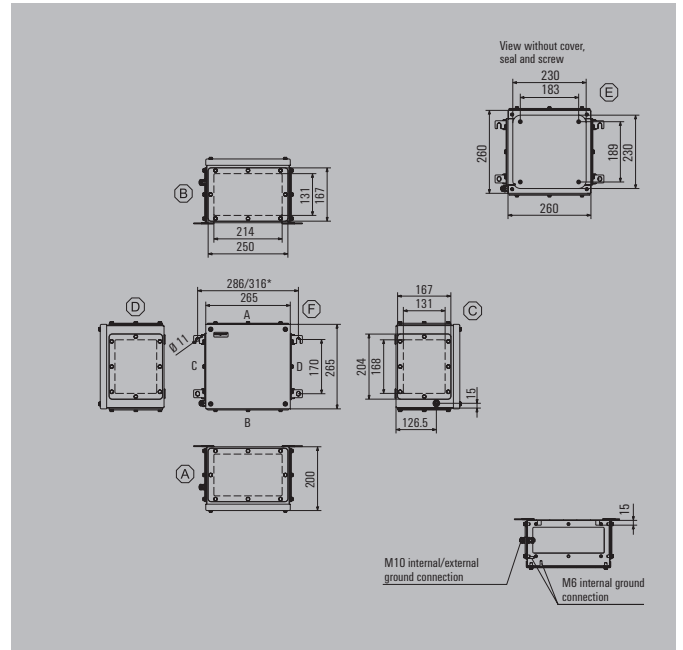
Label holder	Order No.
70 x 70 angled stainless steel 1.4301	1279320000
130x50 stainless steel 1.4301	1283450000
100x25 stainless steel 1.4301	1257640000

Document holder	Order No.
For DIN A6 size documents	1252780000
For DIN A5 size documents	
For DIN A4 size documents	

Set of fixings	Order No.
For label holders, rain hoods and document holders (rivet)	1252190000
For plastic (Trafolyte), identification plate (screw)	1285200000

Earthing stud	Order No.
Stainless steel 1.4404	1192690000

Note



Max. number of terminals (industry)

Max. number of terminals (industry)	vertical	horizontal
2.5 mm ²	2x35	2x34
4 mm ²	1x30	1x29
6 mm ²	1x22	1x22
10 mm ²	1x18	1x17
16 mm ²	1x15	1x14
35 mm ²	1x10	1x10

Note

*For the enclosure versions with no, one or two gland plates, the horizontal distance between the mounting feet is reduced by 30 mm. The assembly with modular terminals gives consideration to a distance of 10 mm from the end of each mounting rail. Order recommendations: TS 35 mounting rail (screw terminal) WDU 2.5 1020000000 / (tension clamp terminal) ZDU 2.5 1608510000 / (tension clamp terminal) PDU 2.5 1896110000 TS 32 mounting rail (screw terminal) SAK 2.5 0279660000 TS 15 mounting rail (screw terminal) AKZ 2.5 0697160000

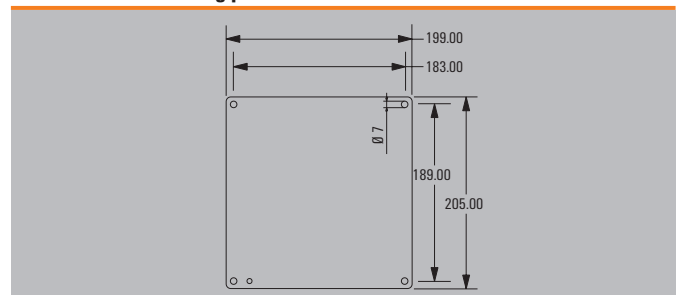
Number of cable entries

Number of cable entries	A / B	C / D
M12	33	25
M16	22	16
M20	14	11
M25	12	9
M32	6	4
M40	5	4
M50	2	2
M63	2	1
M75	1	1

Note

Our IP 68 brass cable glands are used as the reference for these guideline values.

Dimensions of mounting plate





Height/Width/Depth 306 / 306 / 150 mm

Ordering data

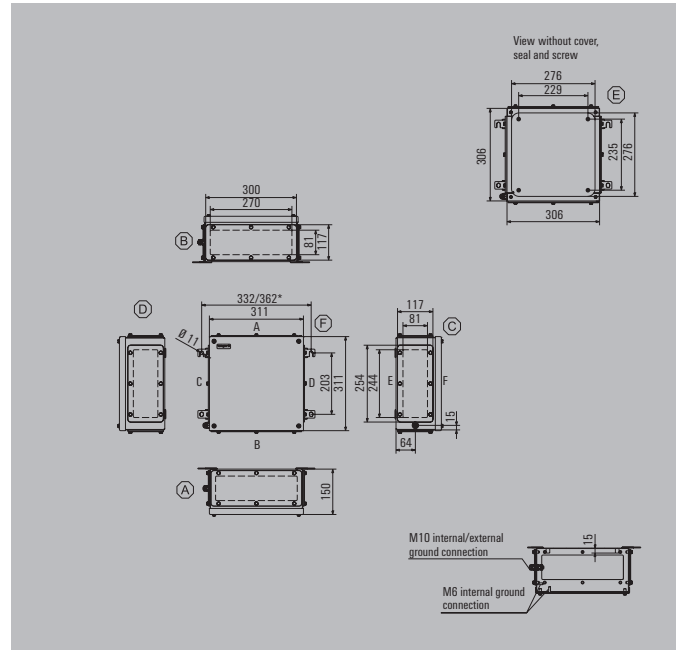
Stainless steel 1.4404 316L, electropolished	Order No.
1 gland plate - bottom side (B)	1195810000
2 gland plates - top and bottom sides (A & B)	1195820000
3 gland plates - bottom, left and right sides (B, C & D)	1195830000
4 gland plates - top, bottom, left and right sides (A, B, C & D)	1195840000

Note Painted sheet steel enclosure available on request. The colours of painted enclosures may vary under certain circumstances.

Accessories

Mounting plates and fastening screws	Order No.
Steel sheet, zinc plated	1193960000
Stainless steel 1.4301	1193830000
With hole pattern, natural stainless steel 1.4301	1257670000
Fastening screws for mounting plates	0642600000
Fastening screws for terminal rails	1274150000
Stainless steel spacer M6 x 8, Set of 4	
10 mm length	0935110000
15 mm length	0935120000
20 mm length	0935130000
30 mm length	0935140000
Gland plates and screws - 6 mm	
Top and bottom sides (A & B), electropolished stainless steel 1.4404	1256340000
Left and right sides (C & D), electropolished stainless steel 1.4404	1256350000
Mounting screw, stainless steel 1.4404	1253230000
Label holder	
70 x 70 angled stainless steel 1.4301	1279320000
130x50 stainless steel 1.4301	1283450000
100x25 stainless steel 1.4301	1257640000
Document holder	
For DIN A6 size documents	1252780000
For DIN A5 size documents	1252750000
For DIN A4 size documents	
Set of fixings	
For label holders, rain hoods and document holders (rivet)	1252190000
For plastic (Trafolyte), identification plate (screw)	1285200000
Earthing stud	
Stainless steel 1.4404	1192690000

Note



Max. number of terminals (industry)

Max. number of terminals (industry)	vertical	horizontal
2.5 mm ²	2x44	2x43
4 mm ²	2x37	2x36
6 mm ²	2x28	2x27
10 mm ²	1x22	1x22
16 mm ²	1x19	1x18
35 mm ²	1x14	1x13



Note

*For the enclosure versions with no, one or two gland plates, the horizontal distance between the mounting feet is reduced by 30 mm. The assembly with modular terminals gives consideration to a distance of 10 mm from the end of each mounting rail.
 Order recommendations:
 TS 35 mounting rail (screw terminal) WDU 2.5 1020000000 / (tension clamp terminal) ZDU 2.5 1608510000 / (tension clamp terminal) PDU 2.5 1896110000
 TS 32 mounting rail (screw terminal) SAK 2.5 0279660000
 TS 15 mounting rail (screw terminal) AKZ 2.5 0697160000

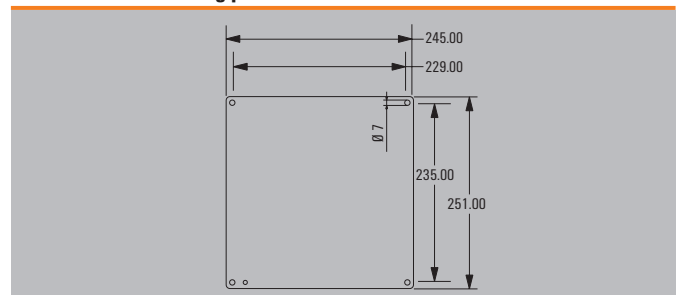
Number of cable entries

Number of cable entries	A / B	C / D
M12	24	20
M16	13	11
M20	11	9
M25	5	4
M32	4	3
M40	3	3
M50	3	2
M63	0	0
M75	0	0

Note

Our IP 68 brass cable glands are used as the reference for these guideline values.

Dimensions of mounting plate





Height/Width/Depth 306 / 306 / 200 mm

Ordering data

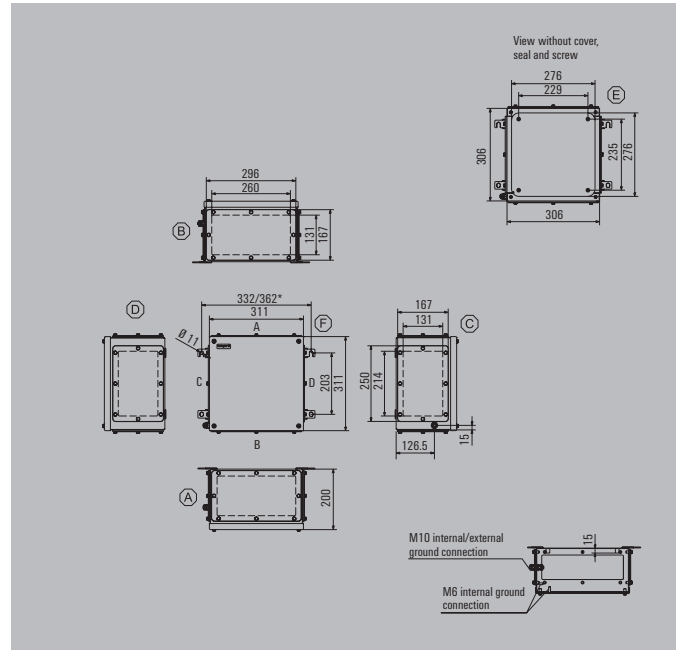
Stainless steel 1.4404 316L, electropolished	Order No.
1 gland plate - bottom side (B)	1195860000
2 gland plates - top and bottom sides (A & B)	1195870000
3 gland plates - bottom, left and right sides (B, C & D)	1195880000
4 gland plates - top, bottom, left and right sides (A, B, C & D)	1195890000

Note Painted sheet steel enclosure available on request. The colours of painted enclosures may vary under certain circumstances.

Accessories

Mounting plates and fastening screws	Order No.
Steel sheet, zinc plated	1193960000
Stainless steel 1.4301	1193830000
With hole pattern, natural stainless steel 1.4301	1257670000
Fastening screws for mounting plates	0642600000
Fastening screws for terminal rails	1274150000
Stainless steel spacer M6 x 8, Set of 4	
10 mm length	0935110000
15 mm length	0935120000
20 mm length	0935130000
30 mm length	0935140000
Gland plates and screws - 6 mm	
Top and bottom sides (A & B), electropolished stainless steel 1.4404	1256360000
Left and right sides (C & D), electropolished stainless steel 1.4404	1256370000
Mounting screw, stainless steel 1.4404	1253230000
Label holder	
70 x 70 angled stainless steel 1.4301	1279320000
130x50 stainless steel 1.4301	1283450000
100x25 stainless steel 1.4301	1257640000
Document holder	
For DIN A6 size documents	1252780000
For DIN A5 size documents	1252750000
For DIN A4 size documents	
Set of fixings	
For label holders, rain hoods and document holders (rivet)	1252190000
For plastic (Trafolyte), identification plate (screw)	1285200000
Earthing stud	
Stainless steel 1.4404	1192690000

Note



Max. number of terminals (industry)

Max. number of terminals (industry)	vertical	horizontal
2.5 mm ²	2x44	2x43
4 mm ²	2x37	2x36
6 mm ²	2x28	2x27
10 mm ²	1x22	1x22
16 mm ²	1x19	1x18
35 mm ²	1x14	1x13



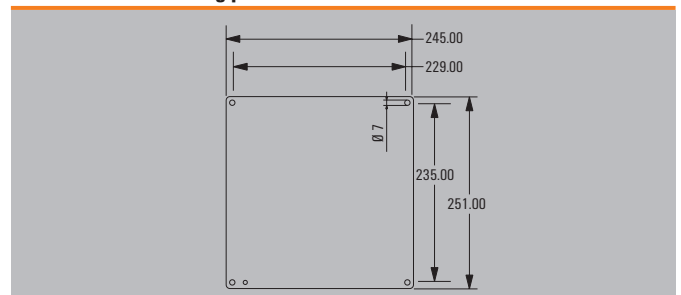
Note *For the enclosure versions with no, one or two gland plates, the horizontal distance between the mounting feet is reduced by 30 mm. The assembly with modular terminals gives consideration to a distance of 10 mm from the end of each mounting rail.
Order recommendations:
TS 35 mounting rail (screw terminal) WDU 2.5 1020000000 / (tension clamp terminal) ZDU 2.5 1608510000 / (tension clamp terminal) PDU 2.5 1896110000
TS 32 mounting rail (screw terminal) SAK 2.5 0279660000
TS 15 mounting rail (screw terminal) AKZ 2.5 0697160000

Number of cable entries

Number of cable entries	A / B	C / D
M12	40	33
M16	26	22
M20	17	14
M25	14	12
M32	8	6
M40	6	5
M50	3	2
M63	2	2
M75	2	1

Note Our IP 68 brass cable glands are used as the reference for these guideline values.

Dimensions of mounting plate





Height/Width/Depth 350 / 260 / 150 mm

Ordering data

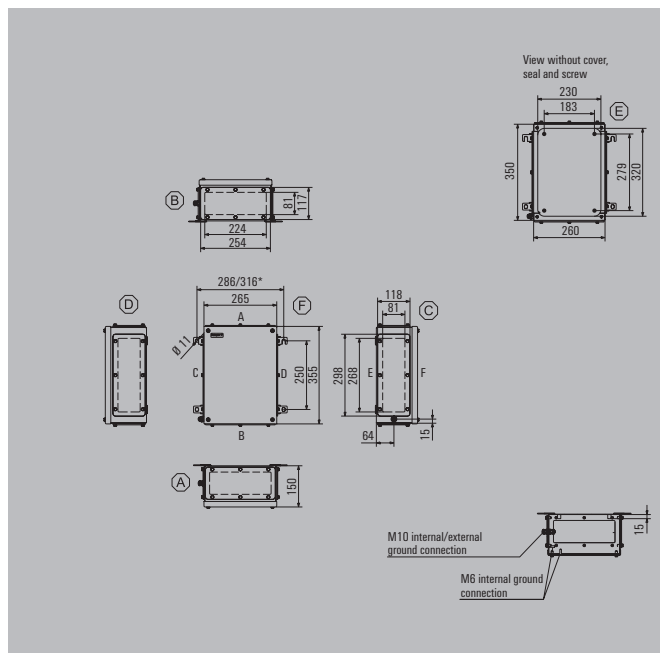
Stainless steel 1.4404 316L, electropolished	Order No.
1 gland plate - bottom side (B)	1195910000
2 gland plates - top and bottom sides (A & B)	1195920000
3 gland plates - bottom, left and right sides (B, C & D)	1195930000
4 gland plates - top, bottom, left and right sides (A, B, C & D)	1195940000

Note Painted sheet steel enclosure available on request. The colours of painted enclosures may vary under certain circumstances.

Accessories

Mounting plates and fastening screws	Order No.
Steel sheet, zinc plated	1193970000
Stainless steel 1.4301	1193840000
With hole pattern, natural stainless steel 1.4301	1257680000
Fastening screws for mounting plates	0642600000
Fastening screws for terminal rails	1274150000
Stainless steel spacer M6 x 8, Set of 4	
10 mm length	0935110000
15 mm length	0935120000
20 mm length	0935130000
30 mm length	0935140000
Gland plates and screws - 6 mm	
Top and bottom sides (A & B), electropolished stainless steel 1.4404	1256380000
Left and right sides (C & D), electropolished stainless steel 1.4404	1256390000
Mounting screw, stainless steel 1.4404	1253230000
Label holder	
70 x 70 angled stainless steel 1.4301	1279320000
130x50 stainless steel 1.4301	1283450000
100x25 stainless steel 1.4301	1257640000
Document holder	
For DIN A6 size documents	1252780000
For DIN A5 size documents	1252750000
For DIN A4 size documents	
Set of fixings	
For label holders, rain hoods and document holders (rivet)	1252190000
For plastic (Trafolyte), identification plate (screw)	1285200000
Earthing stud	
Stainless steel 1.4404	1192690000

Note



Max. number of terminals (industry)

Max. number of terminals (industry)	vertical	horizontal
2.5 mm ²	2x53	2x34
4 mm ²	1x44	2x29
6 mm ²	1x33	2x22
10 mm ²	1x27	2x17
16 mm ²	1x22	1x14
35 mm ²	1x15	1x11



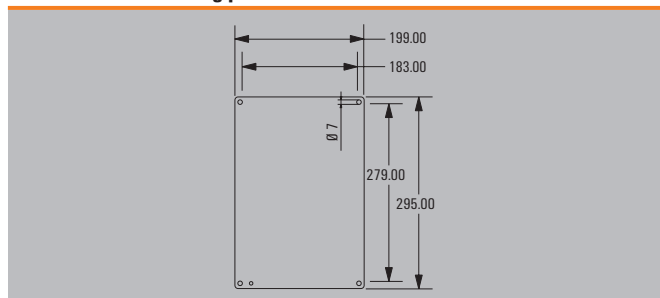
Note *For the enclosure versions with no, one or two gland plates, the horizontal distance between the mounting feet is reduced by 30 mm. The assembly with modular terminals gives consideration to a distance of 10 mm from the end of each mounting rail. Order recommendations: TS 35 mounting rail (screw terminal) WDU 2.5 1020000000 / (tension clamp terminal) ZDU 2.5 1608510000 / (tension clamp terminal) PDU 2.5 1896110000 TS 32 mounting rail (screw terminal) SAK 2.5 0279660000 TS 15 mounting rail (screw terminal) AKZ 2.5 0697160000

Number of cable entries

Number of cable entries	A / B	C / D
M12	20	23
M16	11	13
M20	9	11
M25	4	5
M32	3	4
M40	3	3
M50	2	3
M63	0	0
M75	0	0

Note Our IP 68 brass cable glands are used as the reference for these guideline values.

Dimensions of mounting plate





Height/Width/Depth 350 / 260 / 200 mm

Ordering data

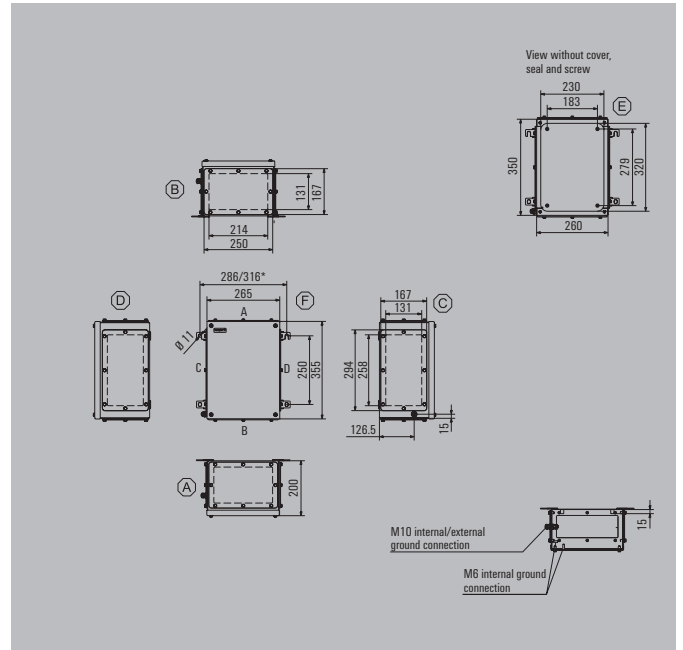
Stainless steel 1.4404 316L, electropolished	Order No.
1 gland plate - bottom side (B)	1195960000
2 gland plates - top and bottom sides (A & B)	1195970000
3 gland plates - bottom, left and right sides (B, C & D)	1195980000
4 gland plates - top, bottom, left and right sides (A, B, C & D)	1195990000

Note Painted sheet steel enclosure available on request. The colours of painted enclosures may vary under certain circumstances.

Accessories

Mounting plates and fastening screws	Order No.
Steel sheet, zinc plated	1193970000
Stainless steel 1.4301	1193840000
With hole pattern, natural stainless steel 1.4301	1257680000
Fastening screws for mounting plates	0642600000
Fastening screws for terminal rails	1274150000
Stainless steel spacer M6 x 8, Set of 4	
10 mm length	0935110000
15 mm length	0935120000
20 mm length	0935130000
30 mm length	0935140000
Gland plates and screws - 6 mm	
Top and bottom sides (A & B), electropolished stainless steel 1.4404	1256410000
Left and right sides (C & D), electropolished stainless steel 1.4404	1256420000
Mounting screw, stainless steel 1.4404	1253230000
Label holder	
70 x 70 angled stainless steel 1.4301	1279320000
130x50 stainless steel 1.4301	1283450000
100x25 stainless steel 1.4301	1257640000
Document holder	
For DIN A6 size documents	1252780000
For DIN A5 size documents	1252750000
For DIN A4 size documents	
Set of fixings	
For label holders, rain hoods and document holders (rivet)	1252190000
For plastic (Trafolyte), identification plate (screw)	1285200000
Earthing stud	
Stainless steel 1.4404	1192690000

Note



Max. number of terminals (industry)

Max. number of terminals (industry)	vertical	horizontal
2.5 mm ²	2x53	2x34
4 mm ²	1x44	2x29
6 mm ²	1x33	2x22
10 mm ²	1x27	2x17
16 mm ²	1x22	1x14
35 mm ²	1x15	1x11



Note

*For the enclosure versions with no, one or two gland plates, the horizontal distance between the mounting feet is reduced by 30 mm. The assembly with modular terminals gives consideration to a distance of 10 mm from the end of each mounting rail. Order recommendations: TS 35 mounting rail (screw terminal) WDU 2.5 1020000000 / (tension clamp terminal) ZDU 2.5 1608510000 / (tension clamp terminal) PDU 2.5 1896110000 TS 32 mounting rail (screw terminal) SAK 2.5 0279660000 TS 15 mounting rail (screw terminal) AKZ 2.5 0697160000

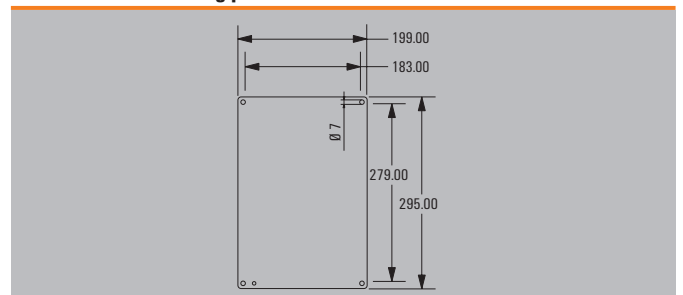
Number of cable entries

Number of cable entries	A / B	C / D
M12	33	38
M16	22	26
M20	14	17
M25	12	14
M32	6	7
M40	5	6
M50	2	3
M63	2	2
M75	1	2

Note

Our IP 68 brass cable glands are used as the reference for these guideline values.

Dimensions of mounting plate





Height/Width/Depth 400 / 300 / 150 mm

Ordering data

Stainless steel 1.4404 316L, electropolished	Order No.
1 gland plate - bottom side (B)	1196010000
2 gland plates - top and bottom sides (A & B)	1196020000
3 gland plates - bottom, left and right sides (B, C & D)	1196030000
4 gland plates - top, bottom, left and right sides (A, B, C & D)	1196040000

Note Painted sheet steel enclosure available on request. The colours of painted enclosures may vary under certain circumstances.

Accessories

Mounting plates and fastening screws	Order No.
Steel sheet, zinc plated	1193980000
Stainless steel 1.4301	1193850000
With hole pattern, natural stainless steel 1.4301	1257690000
Fastening screws for mounting plates	0642600000
Fastening screws for terminal rails	1274150000

Stainless steel spacer M6 x 8, Set of 4	Order No.
10 mm length	0935110000
15 mm length	0935120000
20 mm length	0935130000
30 mm length	0935140000

Gland plates and screws - 6 mm	Order No.
Top and bottom sides (A & B), electropolished stainless steel 1.4404	1256430000
Left and right sides (C & D), electropolished stainless steel 1.4404	1256440000
Mounting screw, stainless steel 1.4404	1253230000

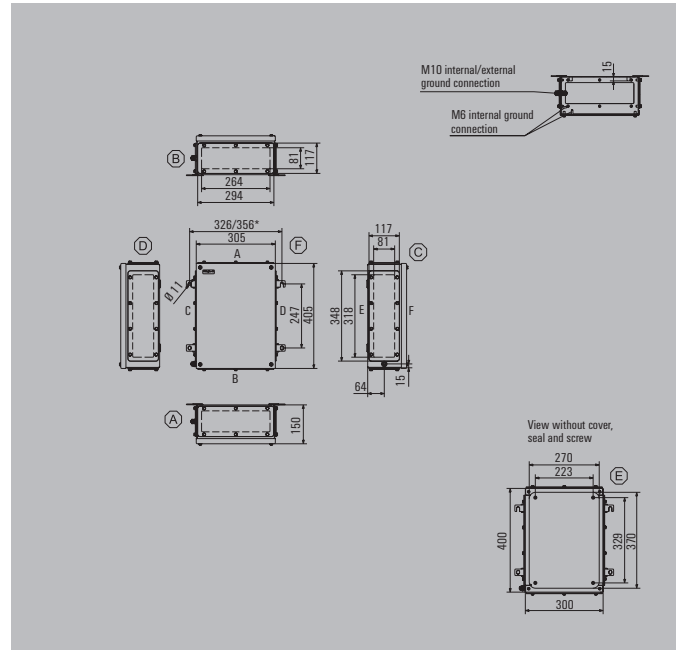
Label holder	Order No.
70 x 70 angled stainless steel 1.4301	1279320000
130x50 stainless steel 1.4301	1283450000
100x25 stainless steel 1.4301	1257640000

Document holder	Order No.
For DIN A6 size documents	1252780000
For DIN A5 size documents	1252750000
For DIN A4 size documents	

Set of fixings	Order No.
For label holders, rain hoods and document holders (rivet)	1252190000
For plastic (Trafolyte), identification plate (screw)	1285200000

Earthing stud	Order No.
Stainless steel 1.4404	1192690000

Note



Max. number of terminals (industry)

Max. number of terminals (industry)	vertical	horizontal
2.5 mm ²	2x62	3x42
4 mm ²	2x52	3x35
6 mm ²	1x39	2x26
10 mm ²	1x32	2x21
16 mm ²	1x26	2x18
35 mm ²	1x20	1x13

Note

*For the enclosure versions with no, one or two gland plates, the horizontal distance between the mounting feet is reduced by 30 mm. The assembly with modular terminals gives consideration to a distance of 10 mm from the end of each mounting rail.
Order recommendations:
TS 35 mounting rail (screw terminal) WDU 2.5 1020000000 / (tension clamp terminal) ZDU 2.5 1608510000 / (tension clamp terminal) PDU 2.5 1896110000
TS 32 mounting rail (screw terminal) SAK 2.5 0279660000
TS 15 mounting rail (screw terminal) AKZ 2.5 0697160000

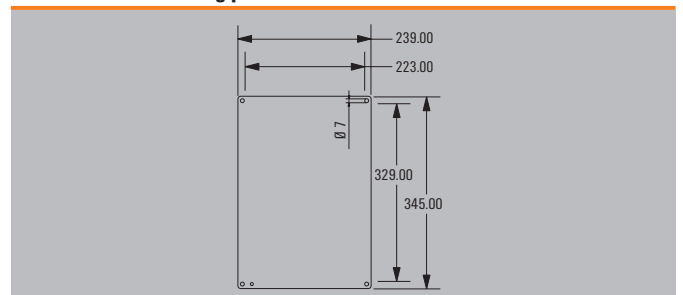
Number of cable entries

Number of cable entries	A / B	C / D
M12	23	29
M16	13	16
M20	11	13
M25	5	6
M32	4	5
M40	3	4
M50	3	3
M63	0	0
M75	0	0

Note

Our IP 68 brass cable glands are used as the reference for these guideline values.

Dimensions of mounting plate





Height/Width/Depth 400 / 300 / 200 mm

Ordering data

Stainless steel 1.4404 316L, electropolished	Order No.
1 gland plate - bottom side (B)	1196060000
2 gland plates - top and bottom sides (A & B)	1196070000
3 gland plates - bottom, left and right sides (B, C & D)	1196080000
4 gland plates - top, bottom, left and right sides (A, B, C & D)	1196090000

Note Painted sheet steel enclosure available on request. The colours of painted enclosures may vary under certain circumstances.

Accessories

Mounting plates and fastening screws	Order No.
Steel sheet, zinc plated	1193980000
Stainless steel 1.4301	1193850000
With hole pattern, natural stainless steel 1.4301	1257690000
Fastening screws for mounting plates	0642600000
Fastening screws for terminal rails	1274150000

Stainless steel spacer M6 x 8, Set of 4	Order No.
10 mm length	0935110000
15 mm length	0935120000
20 mm length	0935130000
30 mm length	0935140000

Gland plates and screws - 6 mm	Order No.
Top and bottom sides (A & B), electropolished stainless steel 1.4404	1256450000
Left and right sides (C & D), electropolished stainless steel 1.4404	1256470000
Mounting screw, stainless steel 1.4404	1253230000

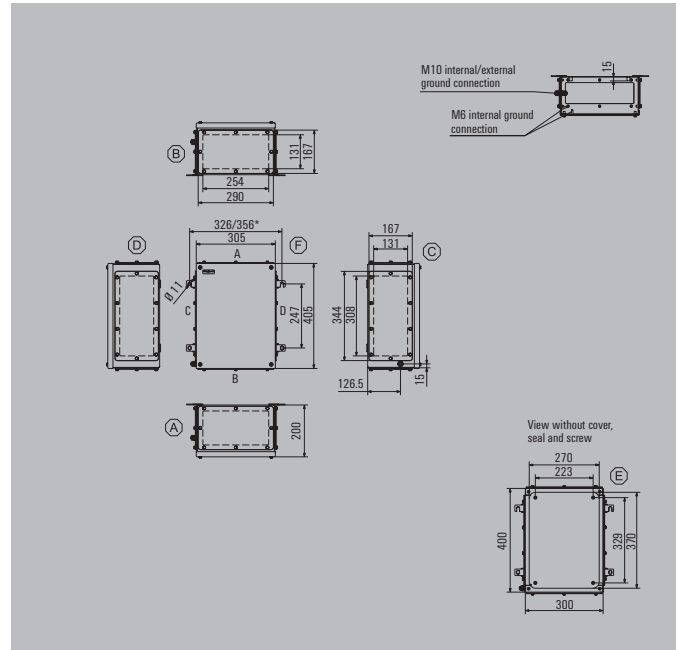
Label holder	Order No.
70 x 70 angled stainless steel 1.4301	1279320000
130x50 stainless steel 1.4301	1283450000
100x25 stainless steel 1.4301	1257640000

Document holder	Order No.
For DIN A6 size documents	1252780000
For DIN A5 size documents	1252750000
For DIN A4 size documents	

Set of fixings	Order No.
For label holders, rain hoods and document holders (rivet)	1252190000
For plastic (Trafolyte), identification plate (screw)	1285200000

Earthing stud	Order No.
Stainless steel 1.4404	1192690000

Note



Max. number of terminals (industry)

Max. number of terminals (industry)	vertical	horizontal
2.5 mm ²	2x62	3x42
4 mm ²	2x52	3x35
6 mm ²	1x39	2x26
10 mm ²	1x32	2x21
16 mm ²	1x26	2x18
35 mm ²	1x20	1x13

Note

*For the enclosure versions with no, one or two gland plates, the horizontal distance between the mounting feet is reduced by 30 mm. The assembly with modular terminals gives consideration to a distance of 10 mm from the end of each mounting rail.
Order recommendations:
TS 35 mounting rail (screw terminal) WDU 2.5 1020000000 / (tension clamp terminal) ZDU 2.5 1608510000 / (tension clamp terminal) PDU 2.5 1896110000
TS 32 mounting rail (screw terminal) SAK 2.5 0279660000
TS 15 mounting rail (screw terminal) AKZ 2.5 0697160000

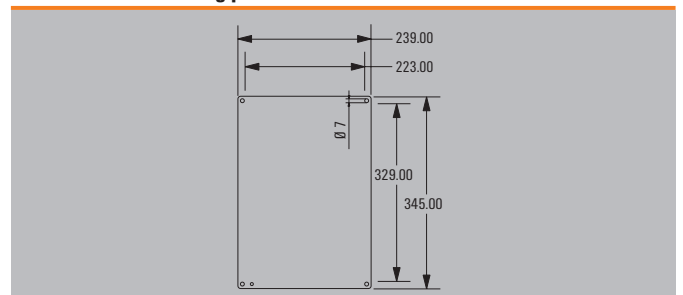
Number of cable entries

Number of cable entries	A / B	C / D
M12	38	48
M16	26	32
M20	17	20
M25	14	17
M32	7	9
M40	6	7
M50	3	3
M63	2	3
M75	2	2

Note

Our IP 68 brass cable glands are used as the reference for these guideline values.

Dimensions of mounting plate





Height/Width/Depth 458 / 382 / 150 mm

Ordering data

Stainless steel 1.4404 316L, electropolished	Order No.
1 gland plate - bottom side (B)	1196110000
2 gland plates - top and bottom sides (A & B)	1196120000
3 gland plates - bottom, left and right sides (B, C & D)	1196130000
4 gland plates - top, bottom, left and right sides (A, B, C & D)	1196140000

Note Painted sheet steel enclosure available on request. The colours of painted enclosures may vary under certain circumstances.

Accessories

Mounting plates and fastening screws	Order No.
Steel sheet, zinc plated	1193990000
Stainless steel 1.4301	1193860000
With hole pattern, natural stainless steel 1.4301	1257700000
Fastening screws for mounting plates	0642600000
Fastening screws for terminal rails	1274150000

Stainless steel spacer M6 x 8, Set of 4	
10 mm length	0935110000
15 mm length	0935120000
20 mm length	0935130000
30 mm length	0935140000

Gland plates and screws - 6 mm	
Top and bottom sides (A & B), electropolished stainless steel 1.4404	1256480000
Left and right sides (C & D), electropolished stainless steel 1.4404	1256490000
Mounting screw, stainless steel 1.4404	1253230000

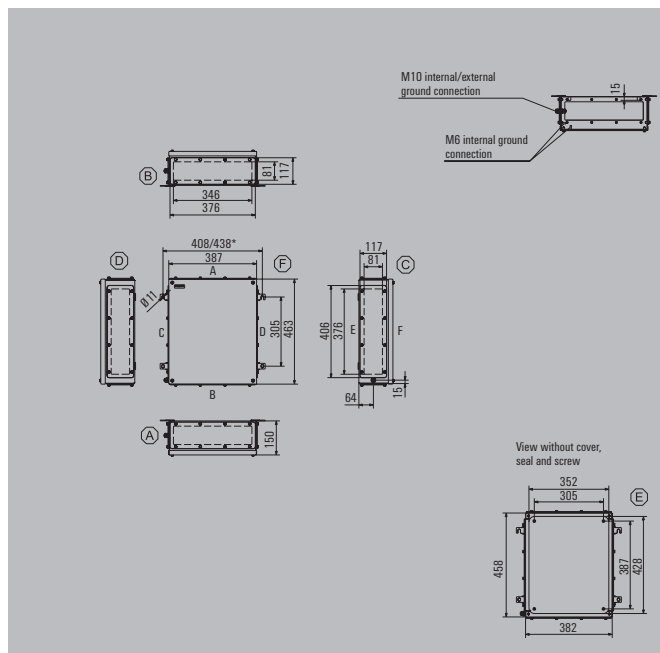
Label holder	
70 x 70 angled stainless steel 1.4301	1279320000
130x50 stainless steel 1.4301	1283450000
100x25 stainless steel 1.4301	1257640000

Document holder	
For DIN A6 size documents	1252780000
For DIN A5 size documents	1252750000
For DIN A4 size documents	1252730000

Set of fixings	
For label holders, rain hoods and document holders (rivet)	1252190000
For plastic (Trafolyte), identification plate (screw)	1285200000

Earthing stud	
Stainless steel 1.4404	1192690000

Note



Max. number of terminals (industry)

Max. number of terminals (industry)	vertical	horizontal
2.5 mm ²	3x73	4x58
4 mm ²	2x62	3x48
6 mm ²	2x46	3x36
10 mm ²	2x37	2x29
16 mm ²	2x31	2x24
35 mm ²	1x23	1x18



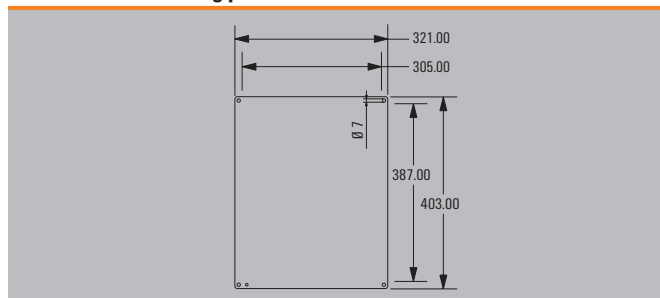
Note *For the enclosure versions with no, one or two gland plates, the horizontal distance between the mounting feet is reduced by 30 mm. The assembly with modular terminals gives consideration to a distance of 10 mm from the end of each mounting rail. Order recommendations: TS 35 mounting rail (screw terminal) WDU 2.5 1020000000 / (tension clamp terminal) ZDU 2.5 1608510000 / (tension clamp terminal) PDU 2.5 1896110000 TS 32 mounting rail (screw terminal) SAK 2.5 0279660000 TS 15 mounting rail (screw terminal) AKZ 2.5 0697160000

Number of cable entries

Number of cable entries	A / B	C / D
M12	30	33
M16	17	19
M20	15	16
M25	6	7
M32	5	6
M40	4	5
M50	4	4
M63	0	0
M75	0	0

Note Our IP 68 brass cable glands are used as the reference for these guideline values.

Dimensions of mounting plate





Height/Width/Depth 458 / 382 / 200 mm

Ordering data

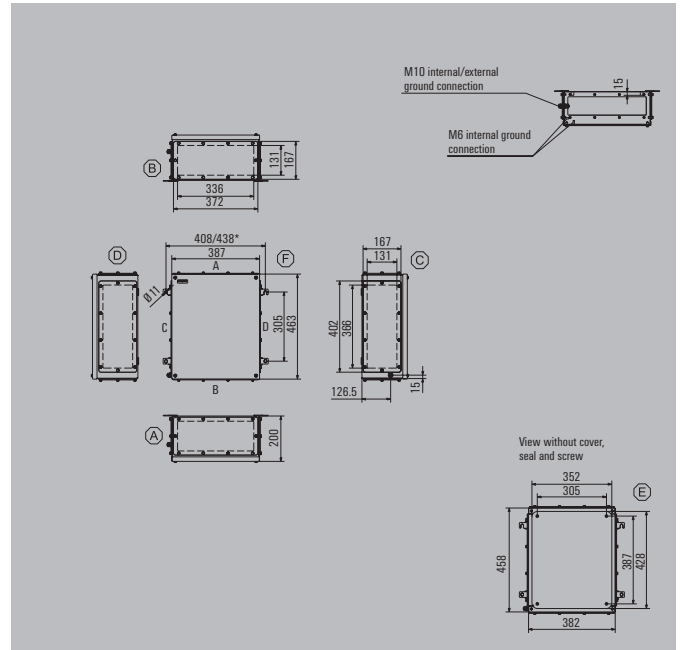
Stainless steel 1.4404 316L, electropolished	Order No.
1 gland plate - bottom side (B)	1196160000
2 gland plates - top and bottom sides (A & B)	1196170000
3 gland plates - bottom, left and right sides (B, C & D)	1196180000
4 gland plates - top, bottom, left and right sides (A, B, C & D)	1196190000

Note Painted sheet steel enclosure available on request. The colours of painted enclosures may vary under certain circumstances.

Accessories

Mounting plates and fastening screws	Order No.
Steel sheet, zinc plated	1193990000
Stainless steel 1.4301	1193860000
With hole pattern, natural stainless steel 1.4301	1257700000
Fastening screws for mounting plates	0642600000
Fastening screws for terminal rails	1274150000
Stainless steel spacer M6 x 8, Set of 4	
10 mm length	0935110000
15 mm length	0935120000
20 mm length	0935130000
30 mm length	0935140000
Gland plates and screws - 6 mm	
Top and bottom sides (A & B), electropolished stainless steel 1.4404	1256510000
Left and right sides (C & D), electropolished stainless steel 1.4404	1256520000
Mounting screw, stainless steel 1.4404	1253230000
Label holder	
70 x 70 angled stainless steel 1.4301	1279320000
130x50 stainless steel 1.4301	1283450000
100x25 stainless steel 1.4301	1257640000
Document holder	
For DIN A6 size documents	1252780000
For DIN A5 size documents	1252750000
For DIN A4 size documents	1252730000
Set of fixings	
For label holders, rain hoods and document holders (rivet)	1252190000
For plastic (Trafolyte), identification plate (screw)	1285200000
Earthing stud	
Stainless steel 1.4404	1192690000

Note



Max. number of terminals (industry)

Max. number of terminals (industry)	vertical	horizontal
2.5 mm ²	3x73	4x58
4 mm ²	2x62	3x48
6 mm ²	2x46	3x36
10 mm ²	2x37	2x29
16 mm ²	2x31	2x24
35 mm ²	1x23	1x18



Note

*For the enclosure versions with no, one or two gland plates, the horizontal distance between the mounting feet is reduced by 30 mm. The assembly with modular terminals gives consideration to a distance of 10 mm from the end of each mounting rail. Order recommendations: TS 35 mounting rail (screw terminal) WDU 2.5 1020000000 / (tension clamp terminal) ZDU 2.5 1608510000 / (tension clamp terminal) PDU 2.5 1896110000 TS 32 mounting rail (screw terminal) SAK 2.5 0279660000 TS 15 mounting rail (screw terminal) AKZ 2.5 0697160000

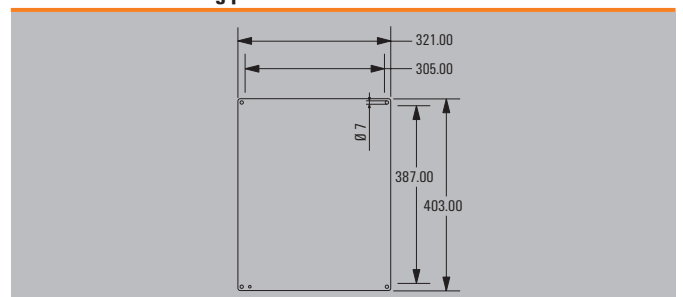
Number of cable entries

Number of cable entries	A / B	C / D
M12	50	55
M16	34	38
M20	23	24
M25	18	21
M32	10	11
M40	8	9
M50	4	4
M63	3	3
M75	2	3

Note

Our IP 68 brass cable glands are used as the reference for these guideline values.

Dimensions of mounting plate





Height/Width/Depth 480 / 480 / 150 mm

Ordering data

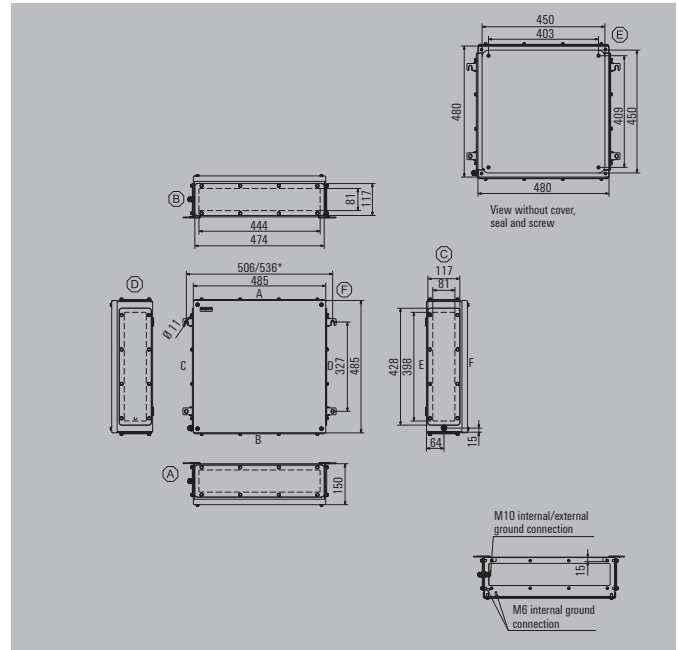
Stainless steel 1.4404 316L, electropolished	Order No.
1 gland plate - bottom side (B)	1196210000
2 gland plates - top and bottom sides (A & B)	1196220000
3 gland plates - bottom, left and right sides (B, C & D)	1196230000
4 gland plates - top, bottom, left and right sides (A, B, C & D)	1196240000

Note Painted sheet steel enclosure available on request. The colours of painted enclosures may vary under certain circumstances.

Accessories

Mounting plates and fastening screws	Order No.
Steel sheet, zinc plated	1194000000
Stainless steel 1.4301	1193870000
With hole pattern, natural stainless steel 1.4301	1257710000
Fastening screws for mounting plates	0642600000
Fastening screws for terminal rails	1274150000
Stainless steel spacer M6 x 8, Set of 4	
10 mm length	0935110000
15 mm length	0935120000
20 mm length	0935130000
30 mm length	0935140000
Gland plates and screws - 6 mm	
Top and bottom sides (A & B), electropolished stainless steel 1.4404	1256530000
Left and right sides (C & D), electropolished stainless steel 1.4404	1256540000
Mounting screw, stainless steel 1.4404	1253230000
Label holder	
70 x 70 angled stainless steel 1.4301	1279320000
130x50 stainless steel 1.4301	1283450000
100x25 stainless steel 1.4301	1257640000
Document holder	
For DIN A6 size documents	1252780000
For DIN A5 size documents	1252750000
For DIN A4 size documents	1252730000
Set of fixings	
For label holders, rain hoods and document holders (rivet)	1252190000
For plastic (Trafolyte), identification plate (screw)	1285200000
Earthing stud	
Stainless steel 1.4404	1192690000

Note



Max. number of terminals (industry)

Max. number of terminals (industry)	vertical	horizontal
2.5 mm ²	4x78	4x77
4 mm ²	3x65	3x64
6 mm ²	3x49	3x48
10 mm ²	2x39	3x39
16 mm ²	2x33	2x32
35 mm ²	1x25	2x24



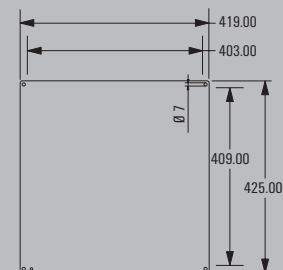
Note *For the enclosure versions with no, one or two gland plates, the horizontal distance between the mounting feet is reduced by 30 mm. The assembly with modular terminals gives consideration to a distance of 10 mm from the end of each mounting rail. Order recommendations: TS 35 mounting rail (screw terminal) WDU 2.5 1020000000 / (tension clamp terminal) ZDU 2.5 1608510000 / (tension clamp terminal) PDU 2.5 1896110000 TS 32 mounting rail (screw terminal) SAK 2.5 0279660000 TS 15 mounting rail (screw terminal) AKZ 2.5 0697160000

Number of cable entries

Number of cable entries	A / B	C / D
M12	39	36
M16	22	20
M20	19	17
M25	8	7
M32	7	6
M40	6	5
M50	5	4
M63	0	0
M75	0	0

Note Our IP 68 brass cable glands are used as the reference for these guideline values.

Dimensions of mounting plate





Height/Width/Depth 480 / 480 / 200 mm

Ordering data

Stainless steel 1.4404 316L, electropolished	Order No.
1 gland plate - bottom side (B)	1196260000
2 gland plates - top and bottom sides (A & B)	1196270000
3 gland plates - bottom, left and right sides (B, C & D)	1196280000
4 gland plates - top, bottom, left and right sides (A, B, C & D)	1196290000

Note Painted sheet steel enclosure available on request. The colours of painted enclosures may vary under certain circumstances.

Accessories

Mounting plates and fastening screws	Order No.
Steel sheet, zinc plated	1194000000
Stainless steel 1.4301	1193870000
With hole pattern, natural stainless steel 1.4301	1257710000
Fastening screws for mounting plates	0642600000
Fastening screws for terminal rails	1274150000

Stainless steel spacer M6 x 8, Set of 4	Order No.
10 mm length	0935110000
15 mm length	0935120000
20 mm length	0935130000
30 mm length	0935140000

Gland plates and screws - 6 mm	Order No.
Top and bottom sides (A & B), electropolished stainless steel 1.4404	1256550000
Left and right sides (C & D), electropolished stainless steel 1.4404	1256560000
Mounting screw, stainless steel 1.4404	1253230000

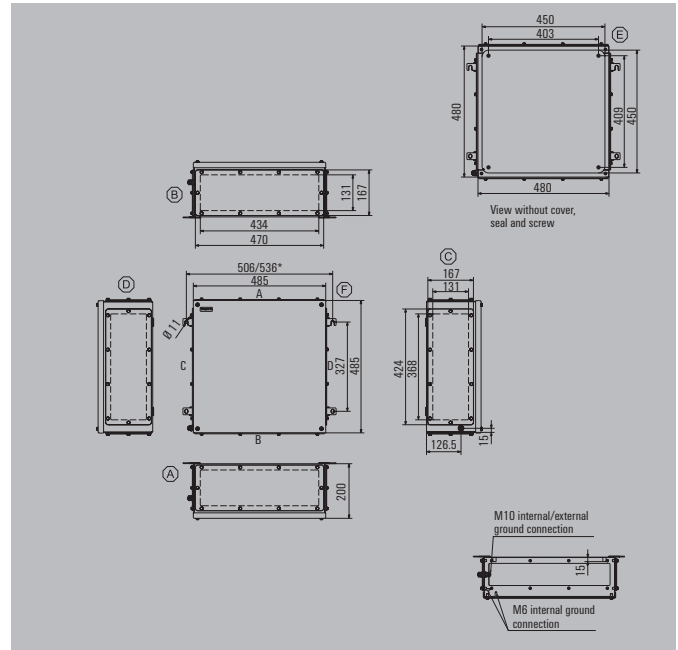
Label holder	Order No.
70 x 70 angled stainless steel 1.4301	1279320000
130x50 stainless steel 1.4301	1283450000
100x25 stainless steel 1.4301	1257640000

Document holder	Order No.
For DIN A6 size documents	1252780000
For DIN A5 size documents	1252750000
For DIN A4 size documents	1252730000

Set of fixings	Order No.
For label holders, rain hoods and document holders (rivet)	1252190000
For plastic (Trafolyte), identification plate (screw)	1285200000

Earthing stud	Order No.
Stainless steel 1.4404	1192690000

Note



Max. number of terminals (industry)

Max. number of terminals (industry)	vertical	horizontal
2.5 mm ²	4x78	4x77
4 mm ²	3x65	3x64
6 mm ²	3x49	3x48
10 mm ²	2x39	3x39
16 mm ²	2x33	2x32
35 mm ²	1x25	2x24

Note

*For the enclosure versions with no, one or two gland plates, the horizontal distance between the mounting feet is reduced by 30 mm. The assembly with modular terminals gives consideration to a distance of 10 mm from the end of each mounting rail. Order recommendations: TS 35 mounting rail (screw terminal) WDU 2.5 1020000000 / (tension clamp terminal) ZDU 2.5 1608510000 / (tension clamp terminal) PDU 2.5 1896110000 TS 32 mounting rail (screw terminal) SAK 2.5 0279660000 TS 15 mounting rail (screw terminal) AKZ 2.5 0697160000

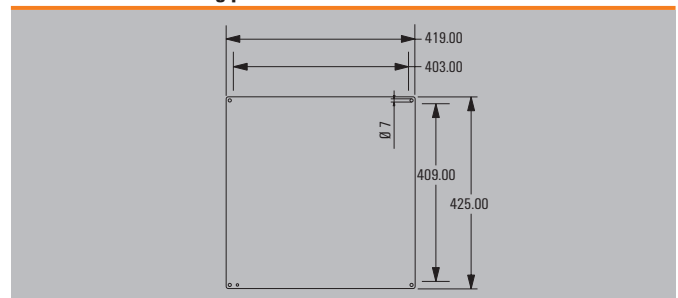
Number of cable entries

Number of cable entries	A / B	C / D
M12	65	60
M16	44	40
M20	29	26
M25	24	21
M32	13	12
M40	11	10
M50	5	4
M63	4	4
M75	3	3

Note

Our IP 68 brass cable glands are used as the reference for these guideline values.

Dimensions of mounting plate





Height/Width/Depth 550 / 350 / 150 mm

Ordering data

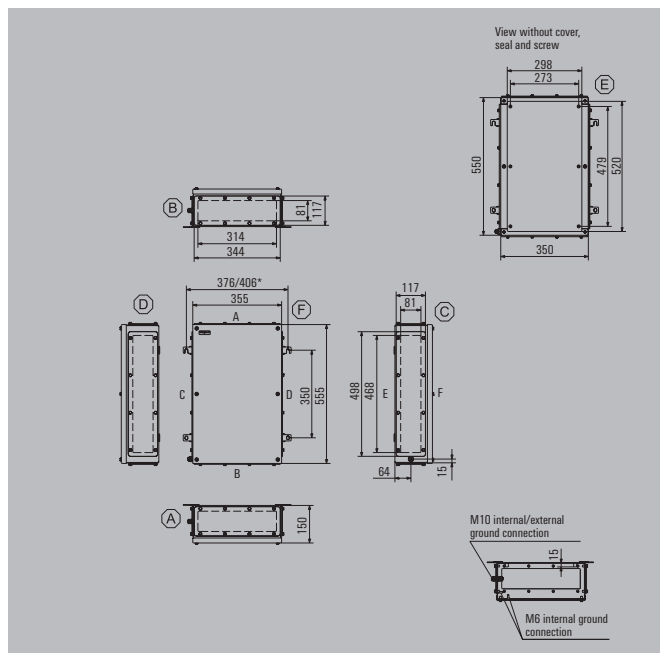
Stainless steel 1.4404 316L, electropolished	Order No.
1 gland plate - bottom side (B)	1196310000
2 gland plates - top and bottom sides (A & B)	1196320000
3 gland plates - bottom, left and right sides (B, C & D)	1196330000
4 gland plates - top, bottom, left and right sides (A, B, C & D)	1196340000

Note Painted sheet steel enclosure available on request. The colours of painted enclosures may vary under certain circumstances.

Accessories

Mounting plates and fastening screws	Order No.
Steel sheet, zinc plated	1194010000
Stainless steel 1.4301	1193880000
With hole pattern, natural stainless steel 1.4301	1257720000
Fastening screws for mounting plates	0642600000
Fastening screws for terminal rails	1274150000
Stainless steel spacer M6 x 8, Set of 4	
10 mm length	0935110000
15 mm length	0935120000
20 mm length	0935130000
30 mm length	0935140000
Gland plates and screws - 6 mm	
Top and bottom sides (A & B), electropolished stainless steel 1.4404	1256570000
Left and right sides (C & D), electropolished stainless steel 1.4404	1256580000
Mounting screw, stainless steel 1.4404	1253230000
Label holder	
70 x 70 angled stainless steel 1.4301	1279320000
130x50 stainless steel 1.4301	1283450000
100x25 stainless steel 1.4301	1257640000
Document holder	
For DIN A6 size documents	1252780000
For DIN A5 size documents	1252750000
For DIN A4 size documents	1252730000
Set of fixings	
For label holders, rain hoods and document holders (rivet)	1252190000
For plastic (Trafolyte), identification plate (screw)	1285200000
Earthing stud	
Stainless steel 1.4404	1192690000

Note



Max. number of terminals (industry)

Max. number of terminals (industry)	vertical	horizontal
2.5 mm ²	2x91	4x52
4 mm ²	2x76	4x43
6 mm ²	2x58	4x32
10 mm ²	2x46	3x26
16 mm ²	1x39	3x22
35 mm ²	1x29	2x16



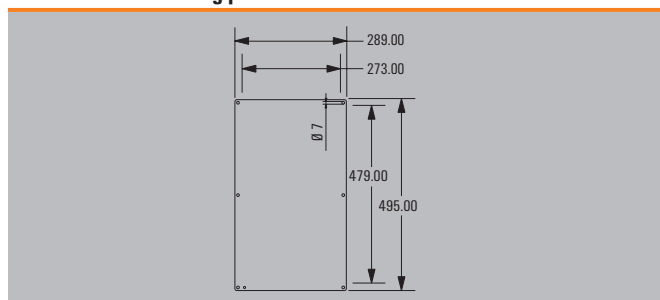
Note *For the enclosure versions with no, one or two gland plates, the horizontal distance between the mounting feet is reduced by 30 mm. The assembly with modular terminals gives consideration to a distance of 10 mm from the end of each mounting rail.
Order recommendations:
TS 35 mounting rail (screw terminal) WDU 2.5 1020000000 / (tension clamp terminal) ZDU 2.5 1608510000 / (tension clamp terminal) PDU 2.5 1896110000
TS 32 mounting rail (screw terminal) SAK 2.5 0279660000
TS 15 mounting rail (screw terminal) AKZ 2.5 0697160000

Number of cable entries

Number of cable entries	A / B	C / D
M12	27	42
M16	15	24
M20	13	20
M25	6	9
M32	5	7
M40	4	6
M50	3	5
M63	0	0
M75	0	0

Note Our IP 68 brass cable glands are used as the reference for these guideline values.

Dimensions of mounting plate





Height/Width/Depth 550 / 350 / 200 mm

Ordering data

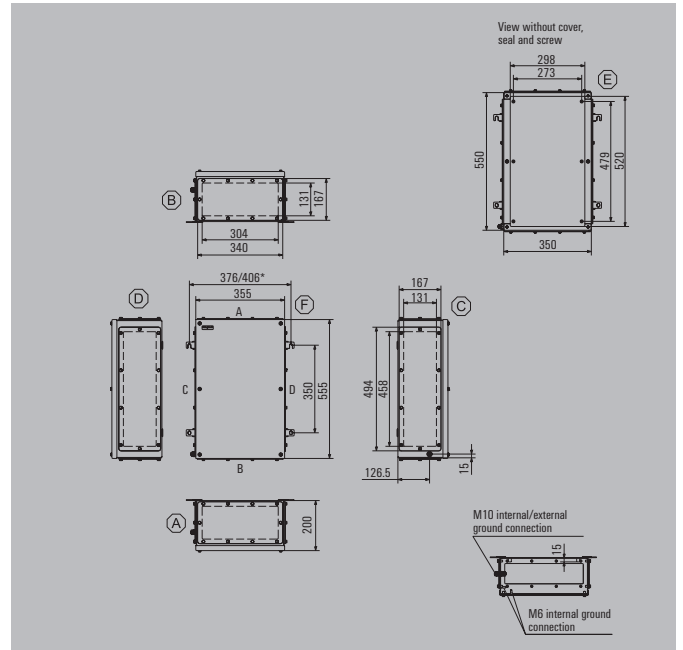
Stainless steel 1.4404 316L, electropolished	Order No.
1 gland plate - bottom side (B)	1196360000
2 gland plates - top and bottom sides (A & B)	1196370000
3 gland plates - bottom, left and right sides (B, C & D)	1196380000
4 gland plates - top, bottom, left and right sides (A, B, C & D)	1196390000

Note Painted sheet steel enclosure available on request. The colours of painted enclosures may vary under certain circumstances.

Accessories

Mounting plates and fastening screws	Order No.
Steel sheet, zinc plated	1194010000
Stainless steel 1.4301	1193880000
With hole pattern, natural stainless steel 1.4301	1257720000
Fastening screws for mounting plates	0642600000
Fastening screws for terminal rails	1274150000
Stainless steel spacer M6 x 8, Set of 4	
10 mm length	0935110000
15 mm length	0935120000
20 mm length	0935130000
30 mm length	0935140000
Gland plates and screws - 6 mm	
Top and bottom sides (A & B), electropolished stainless steel 1.4404	1256590000
Left and right sides (C & D), electropolished stainless steel 1.4404	1256610000
Mounting screw, stainless steel 1.4404	1253230000
Label holder	
70 x 70 angled stainless steel 1.4301	1279320000
130x50 stainless steel 1.4301	1283450000
100x25 stainless steel 1.4301	1257640000
Document holder	
For DIN A6 size documents	1252780000
For DIN A5 size documents	1252750000
For DIN A4 size documents	1252730000
Set of fixings	
For label holders, rain hoods and document holders (rivet)	1252190000
For plastic (Trafolyte), identification plate (screw)	1285200000
Earthing stud	
Stainless steel 1.4404	1192690000

Note



Max. number of terminals (industry)

Max. number of terminals (industry)	vertical	horizontal
2.5 mm ²	2x91	4x52
4 mm ²	2x76	4x43
6 mm ²	2x58	4x32
10 mm ²	2x46	3x26
16 mm ²	1x39	3x22
35 mm ²	1x29	2x16



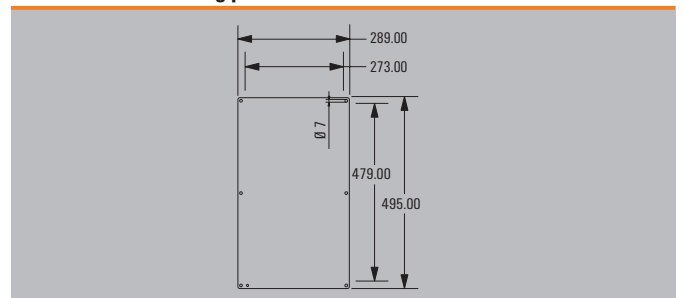
Note *For the enclosure versions with no, one or two gland plates, the horizontal distance between the mounting feet is reduced by 30 mm. The assembly with modular terminals gives consideration to a distance of 10 mm from the end of each mounting rail. Order recommendations: TS 35 mounting rail (screw terminal) WDU 2.5 1020000000 / (tension clamp terminal) ZDU 2.5 1608510000 / (tension clamp terminal) PDU 2.5 1896110000 TS 32 mounting rail (screw terminal) SAK 2.5 0279660000 TS 15 mounting rail (screw terminal) AKZ 2.5 0697160000

Number of cable entries

Number of cable entries	A / B	C / D
M12	45	70
M16	30	48
M20	20	30
M25	17	26
M32	9	14
M40	7	12
M50	3	5
M63	3	4
M75	2	3

Note Our IP 68 brass cable glands are used as the reference for these guideline values.

Dimensions of mounting plate





Height/Width/Depth 620 / 450 / 150 mm

Ordering data

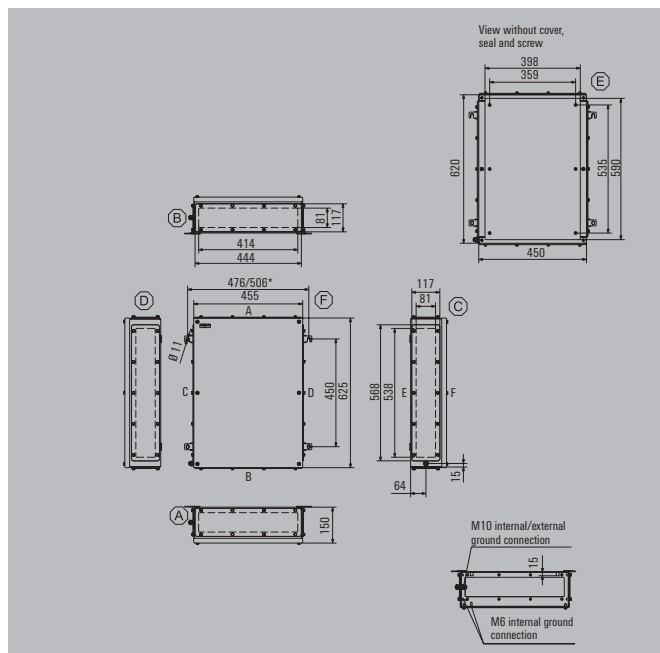
Stainless steel 1.4404 316L, electropolished	Order No.
1 gland plate - bottom side (B)	1196410000
2 gland plates - top and bottom sides (A & B)	1196420000
3 gland plates - bottom, left and right sides (B, C & D)	1196430000
4 gland plates - top, bottom, left and right sides (A, B, C & D)	1196440000

Note Painted sheet steel enclosure available on request. The colours of painted enclosures may vary under certain circumstances.

Accessories

Mounting plates and fastening screws	Order No.
Steel sheet, zinc plated	1194020000
Stainless steel 1.4301	1193890000
With hole pattern, natural stainless steel 1.4301	1257740000
Fastening screws for mounting plates	0642600000
Fastening screws for terminal rails	1274150000
Stainless steel spacer M6 x 8, Set of 4	
10 mm length	0935110000
15 mm length	0935120000
20 mm length	0935130000
30 mm length	0935140000
Gland plates and screws - 6 mm	
Top and bottom sides (A & B), electropolished stainless steel 1.4404	1256620000
Left and right sides (C & D), electropolished stainless steel 1.4404	1256630000
Mounting screw, stainless steel 1.4404	1253230000
Label holder	
70 x 70 angled stainless steel 1.4301	1279320000
130x50 stainless steel 1.4301	1283450000
100x25 stainless steel 1.4301	1257640000
Document holder	
For DIN A6 size documents	1252780000
For DIN A5 size documents	1252750000
For DIN A4 size documents	1252730000
Set of fixings	
For label holders, rain hoods and document holders (rivet)	1252190000
For plastic (Trafolyte), identification plate (screw)	1285200000
Earthing stud	
Stainless steel 1.4404	1192690000

Note



Max. number of terminals (industry)

Max. number of terminals (industry)	vertical	horizontal
2.5 mm ²	3x105	5x71
4 mm ²	3x88	5x59
6 mm ²	3x66	4x45
10 mm ²	2x53	4x36
16 mm ²	2x44	3x30
35 mm ²	1x33	2x22



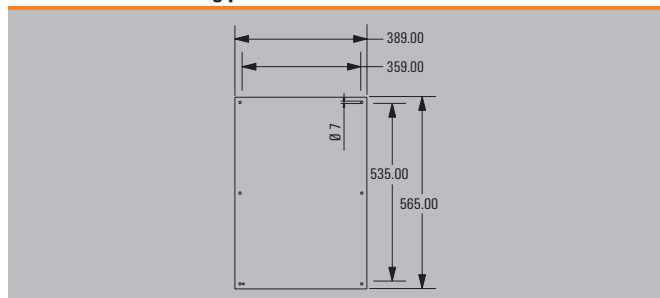
Note *For the enclosure versions with no, one or two gland plates, the horizontal distance between the mounting feet is reduced by 30 mm. The assembly with modular terminals gives consideration to a distance of 10 mm from the end of each mounting rail.
Order recommendations:
TS 35 mounting rail (screw terminal) WDU 2.5 1020000000 / (tension clamp terminal) ZDU 2.5 1608510000 / (tension clamp terminal) PDU 2.5 1896110000
TS 32 mounting rail (screw terminal) SAK 2.5 0279660000
TS 15 mounting rail (screw terminal) AKZ 2.5 0697160000

Number of cable entries

Number of cable entries	A / B	C / D
M12	38	48
M16	21	27
M20	18	24
M25	8	10
M32	6	9
M40	5	7
M50	4	6
M63	0	0
M75	0	0

Note Our IP 68 brass cable glands are used as the reference for these guideline values.

Dimensions of mounting plate



Klippon® TB FS 624520

Depth 200 mm



Height/Width/Depth 620 / 450 / 200 mm

Ordering data

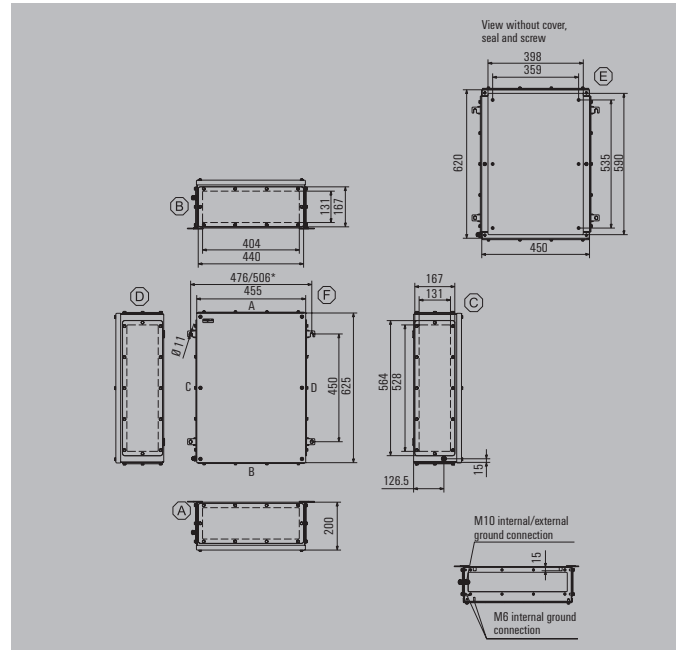
Stainless steel 1.4404 316L, electropolished	Order No.
1 gland plate - bottom side (B)	1196460000
2 gland plates - top and bottom sides (A & B)	1196470000
3 gland plates - bottom, left and right sides (B, C & D)	1196480000
4 gland plates - top, bottom, left and right sides (A, B, C & D)	1196490000

Note Painted sheet steel enclosure available on request. The colours of painted enclosures may vary under certain circumstances.

Accessories

Mounting plates and fastening screws	Order No.
Steel sheet, zinc plated	1194020000
Stainless steel 1.4301	1193890000
With hole pattern, natural stainless steel 1.4301	1257740000
Fastening screws for mounting plates	0642600000
Fastening screws for terminal rails	1274150000
Stainless steel spacer M6 x 8, Set of 4	
10 mm length	0935110000
15 mm length	0935120000
20 mm length	0935130000
30 mm length	0935140000
Gland plates and screws - 6 mm	
Top and bottom sides (A & B), electropolished stainless steel 1.4404	1256640000
Left and right sides (C & D), electropolished stainless steel 1.4404	1256650000
Mounting screw, stainless steel 1.4404	1253230000
Label holder	
70 x 70 angled stainless steel 1.4301	1279320000
130x50 stainless steel 1.4301	1283450000
100x25 stainless steel 1.4301	1257640000
Document holder	
For DIN A6 size documents	1252780000
For DIN A5 size documents	1252750000
For DIN A4 size documents	1252730000
Set of fixings	
For label holders, rain hoods and document holders (rivet)	1252190000
For plastic (Trafolyte), identification plate (screw)	1285200000
Earthing stud	
Stainless steel 1.4404	1192690000

Note



Max. number of terminals (industry)

Max. number of terminals (industry)	vertical	horizontal
2.5 mm ²	3x105	5x71
4 mm ²	3x88	5x59
6 mm ²	3x66	4x45
10 mm ²	2x53	4x36
16 mm ²	2x44	3x30
35 mm ²	1x33	2x22



Note

*For the enclosure versions with no, one or two gland plates, the horizontal distance between the mounting feet is reduced by 30 mm. The assembly with modular terminals gives consideration to a distance of 10 mm from the end of each mounting rail.
Order recommendations:
TS 35 mounting rail (screw terminal) WDU 2.5 1020000000 / (tension clamp terminal) ZDU 2.5 1608510000 / (tension clamp terminal) PDU 2.5 1896110000
TS 32 mounting rail (screw terminal) SAK 2.5 0279660000
TS 15 mounting rail (screw terminal) AKZ 2.5 0697160000

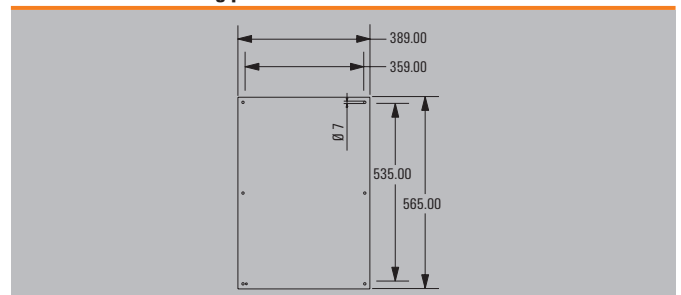
Number of cable entries

Number of cable entries	A / B	C / D
M12	63	80
M16	42	54
M20	27	36
M25	23	30
M32	12	17
M40	10	14
M50	4	6
M63	4	5
M75	3	4

Note

Our IP 68 brass cable glands are used as the reference for these guideline values.

Dimensions of mounting plate





Height/Width/Depth 762 / 508 / 150 mm

Ordering data

Stainless steel 1.4404 316L, electropolished	Order No.
1 gland plate - bottom side (B)	1196510000
2 gland plates - top and bottom sides (A & B)	1196520000
3 gland plates - bottom, left and right sides (B, C & D)	1196530000
4 gland plates - top, bottom, left and right sides (A, B, C & D)	1196540000

Note Painted sheet steel enclosure available on request. The colours of painted enclosures may vary under certain circumstances.

Accessories

Mounting plates and fastening screws	Order No.
Steel sheet, zinc plated	1194030000
Stainless steel 1.4301	1193900000
With hole pattern, natural stainless steel 1.4301	1257750000
Fastening screws for mounting plates	0642600000
Fastening screws for terminal rails	1274150000

Stainless steel spacer M6 x 8, Set of 4	Order No.
10 mm length	0935110000
15 mm length	0935120000
20 mm length	0935130000
30 mm length	0935140000

Gland plates and screws - 6 mm	Order No.
Top and bottom sides (A & B), electropolished stainless steel 1.4404	1256660000
Left and right sides (C & D), electropolished stainless steel 1.4404	1256670000
Mounting screw, stainless steel 1.4404	1253230000

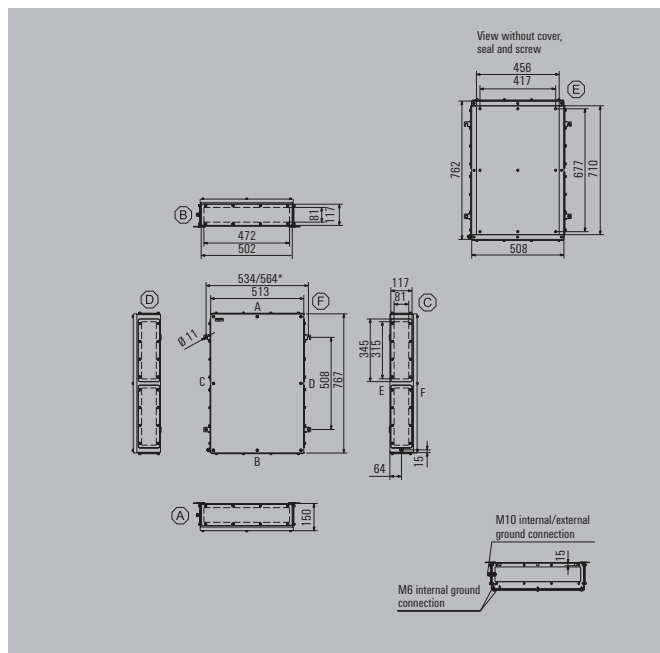
Label holder	Order No.
70 x 70 angled stainless steel 1.4301	1279320000
130x50 stainless steel 1.4301	1283450000
100x25 stainless steel 1.4301	1257640000

Document holder	Order No.
For DIN A6 size documents	1252780000
For DIN A5 size documents	1252750000
For DIN A4 size documents	1252730000

Set of fixings	Order No.
For label holders, rain hoods and document holders (rivet)	1252190000
For plastic (Trafolyte), identification plate (screw)	1285200000

Earthing stud	Order No.
Stainless steel 1.4404	1192690000

Note



Max. number of terminals (industry)

Max. number of terminals (industry)	vertical	horizontal
2.5 mm ²	4x132	7x82
4 mm ²	4x111	6x69
6 mm ²	3x83	5x52
10 mm ²	3x67	5x42
16 mm ²	2x56	4x35
35 mm ²	2x42	3x26



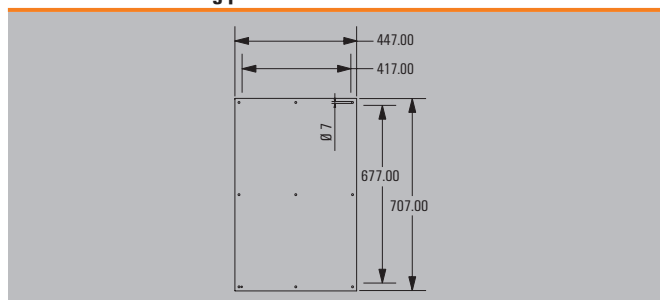
Note *For the enclosure versions with no, one or two gland plates, the horizontal distance between the mounting feet is reduced by 30 mm. The assembly with modular terminals gives consideration to a distance of 10 mm from the end of each mounting rail.
Order recommendations:
TS 35 mounting rail (screw terminal) WDU 2.5 1020000000 / (tension clamp terminal) ZDU 2.5 1608510000 / (tension clamp terminal) PDU 2.5 1896110000
TS 32 mounting rail (screw terminal) SAK 2.5 0279660000
TS 15 mounting rail (screw terminal) AKZ 2.5 0697160000

Number of cable entries

Number of cable entries	A / B	C / D
M12	42	58
M16	24	32
M20	21	26
M25	9	12
M32	7	10
M40	6	8
M50	5	6
M63	0	0
M75	0	0

Note Our IP 68 brass cable glands are used as the reference for these guideline values.

Dimensions of mounting plate





Height/Width/Depth 762 / 508 / 200 mm

Ordering data

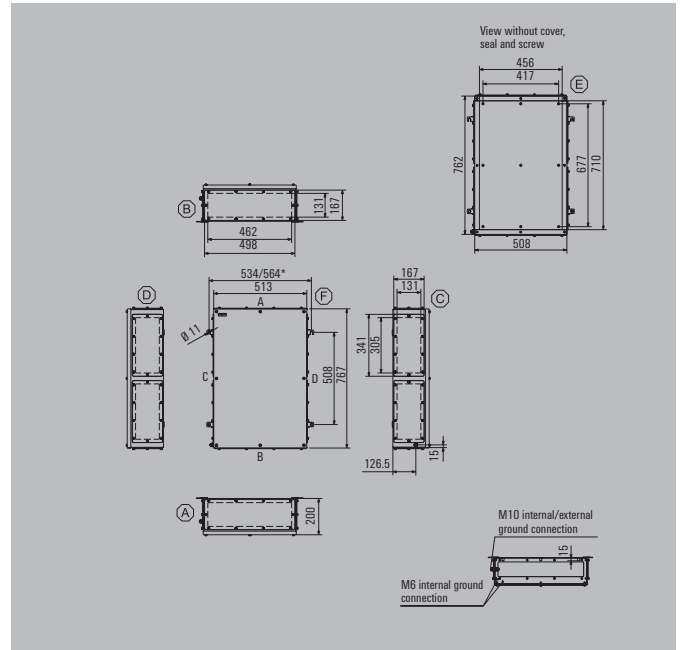
Stainless steel 1.4404 316L, electropolished	Order No.
1 gland plate - bottom side (B)	1196560000
2 gland plates - top and bottom sides (A & B)	1196570000
3 gland plates - bottom, left and right sides (B, C & D)	1196580000
4 gland plates - top, bottom, left and right sides (A, B, C & D)	1196590000

Note Painted sheet steel enclosure available on request. The colours of painted enclosures may vary under certain circumstances.

Accessories

Mounting plates and fastening screws	Order No.
Steel sheet, zinc plated	1194030000
Stainless steel 1.4301	1193900000
With hole pattern, natural stainless steel 1.4301	1257750000
Fastening screws for mounting plates	0642600000
Fastening screws for terminal rails	1274150000
Stainless steel spacer M6 x 8, Set of 4	
10 mm length	0935110000
15 mm length	0935120000
20 mm length	0935130000
30 mm length	0935140000
Gland plates and screws - 6 mm	
Top and bottom sides (A & B), electropolished stainless steel 1.4404	1256680000
Left and right sides (C & D), electropolished stainless steel 1.4404	1256690000
Mounting screw, stainless steel 1.4404	1253230000
Label holder	
70 x 70 angled stainless steel 1.4301	1279320000
130x50 stainless steel 1.4301	1283450000
100x25 stainless steel 1.4301	1257640000
Document holder	
For DIN A6 size documents	1252780000
For DIN A5 size documents	1252750000
For DIN A4 size documents	1252730000
Set of fixings	
For label holders, rain hoods and document holders (rivet)	1252190000
For plastic (Trafolyte), identification plate (screw)	1285200000
Earthing stud	
Stainless steel 1.4404	1192690000

Note



Max. number of terminals (industry)

Max. number of terminals (industry)	vertical	horizontal
2.5 mm ²	4x132	7x82
4 mm ²	4x111	6x69
6 mm ²	3x83	5x52
10 mm ²	3x67	5x42
16 mm ²	2x56	4x35
35 mm ²	2x42	3x26



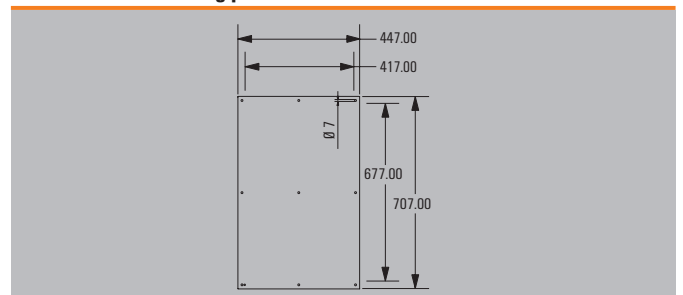
Note *For the enclosure versions with no, one or two gland plates, the horizontal distance between the mounting feet is reduced by 30 mm. The assembly with modular terminals gives consideration to a distance of 10 mm from the end of each mounting rail. Order recommendations: TS 35 mounting rail (screw terminal) WDU 2.5 1020000000 / (tension clamp terminal) ZDU 2.5 1608510000 / (tension clamp terminal) PDU 2.5 1896110000 TS 32 mounting rail (screw terminal) SAK 2.5 0279660000 TS 15 mounting rail (screw terminal) AKZ 2.5 0697160000

Number of cable entries

Number of cable entries	A / B	C / D
M12	70	96
M16	48	64
M20	32	40
M25	26	34
M32	14	18
M40	12	14
M50	5	6
M63	4	6
M75	3	4

Note Our IP 68 brass cable glands are used as the reference for these guideline values.

Dimensions of mounting plate





Height/Width/Depth 914 / 610 / 150 mm

Ordering data

Stainless steel 1.4404 316L, electropolished	Order No.
1 gland plate - bottom side (B)	1196610000
2 gland plates - top and bottom sides (A & B)	1196620000
3 gland plates - bottom, left and right sides (B, C & D)	1196630000
4 gland plates - top, bottom, left and right sides (A, B, C & D)	1196640000

Note Painted sheet steel enclosure available on request. The colours of painted enclosures may vary under certain circumstances.

Accessories

Mounting plates and fastening screws	Order No.
Steel sheet, zinc plated	1194040000
Stainless steel 1.4301	1193910000
With hole pattern, natural stainless steel 1.4301	1257760000
Fastening screws for mounting plates	0642600000
Fastening screws for terminal rails	1274150000

Stainless steel spacer M6 x 8, Set of 4	Order No.
10 mm length	0935110000
15 mm length	0935120000
20 mm length	0935130000
30 mm length	0935140000

Gland plates and screws - 6 mm	Order No.
Top and bottom sides (A & B), electropolished stainless steel 1.4404	1256710000
Left and right sides (C & D), electropolished stainless steel 1.4404	1256720000
Mounting screw, stainless steel 1.4404	1253230000

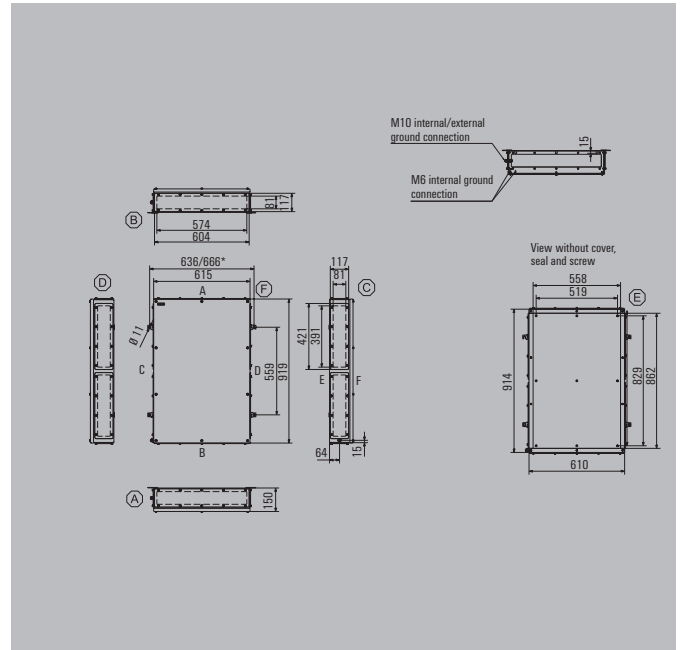
Label holder	Order No.
70 x 70 angled stainless steel 1.4301	1279320000
130x50 stainless steel 1.4301	1283450000
100x25 stainless steel 1.4301	1257640000

Document holder	Order No.
For DIN A6 size documents	1252780000
For DIN A5 size documents	1252750000
For DIN A4 size documents	1252730000

Set of fixings	Order No.
For label holders, rain hoods and document holders (rivet)	1252190000
For plastic (Trafolyte), identification plate (screw)	1285200000

Earthing stud	Order No.
Stainless steel 1.4404	1192690000

Note



Max. number of terminals (industry)

Max. number of terminals (industry)	vertical	horizontal
2.5 mm ²	5x161	8x102
4 mm ²	4x135	7x85
6 mm ²	4x102	7x64
10 mm ²	3x82	6x52
16 mm ²	3x68	5x43
35 mm ²	2x51	4x32

Note

*For the enclosure versions with no, one or two gland plates, the horizontal distance between the mounting feet is reduced by 30 mm. The assembly with modular terminals gives consideration to a distance of 10 mm from the end of each mounting rail.
Order recommendations:
TS 35 mounting rail (screw terminal) WDU 2.5 1020000000 / (tension clamp terminal) ZDU 2.5 1608510000 / (tension clamp terminal) PDU 2.5 1896110000
TS 32 mounting rail (screw terminal) SAK 2.5 0279660000
TS 15 mounting rail (screw terminal) AKZ 2.5 0697160000

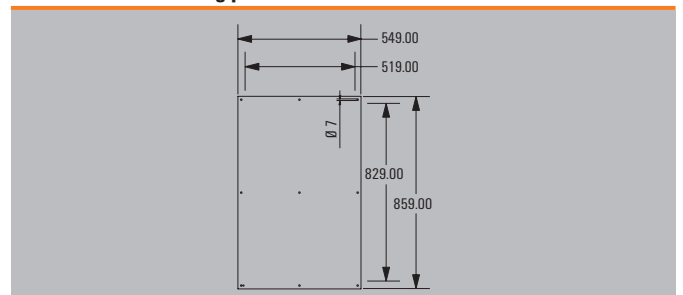
Number of cable entries

Number of cable entries	A / B	C / D
M12	53	70
M16	29	40
M20	25	34
M25	11	14
M32	9	12
M40	8	10
M50	6	8
M63	0	0
M75	0	0

Note

Our IP 68 brass cable glands are used as the reference for these guideline values.

Dimensions of mounting plate





Height/Width/Depth 914 / 610 / 200 mm

Ordering data

Stainless steel 1.4404 316L, electropolished	Order No.
1 gland plate - bottom side (B)	1196660000
2 gland plates - top and bottom sides (A & B)	1196670000
3 gland plates - bottom, left and right sides (B, C & D)	1196680000
4 gland plates - top, bottom, left and right sides (A, B, C & D)	1196690000

Note Painted sheet steel enclosure available on request. The colours of painted enclosures may vary under certain circumstances.

Accessories

Mounting plates and fastening screws	Order No.
Steel sheet, zinc plated	1194040000
Stainless steel 1.4301	1193910000
With hole pattern, natural stainless steel 1.4301	1257760000
Fastening screws for mounting plates	0642600000
Fastening screws for terminal rails	1274150000

Stainless steel spacer M6 x 8, Set of 4	Order No.
10 mm length	0935110000
15 mm length	0935120000
20 mm length	0935130000
30 mm length	0935140000

Gland plates and screws - 6 mm	Order No.
Top and bottom sides (A & B), electropolished stainless steel 1.4404	1256730000
Left and right sides (C & D), electropolished stainless steel 1.4404	1256740000
Mounting screw, stainless steel 1.4404	1253230000

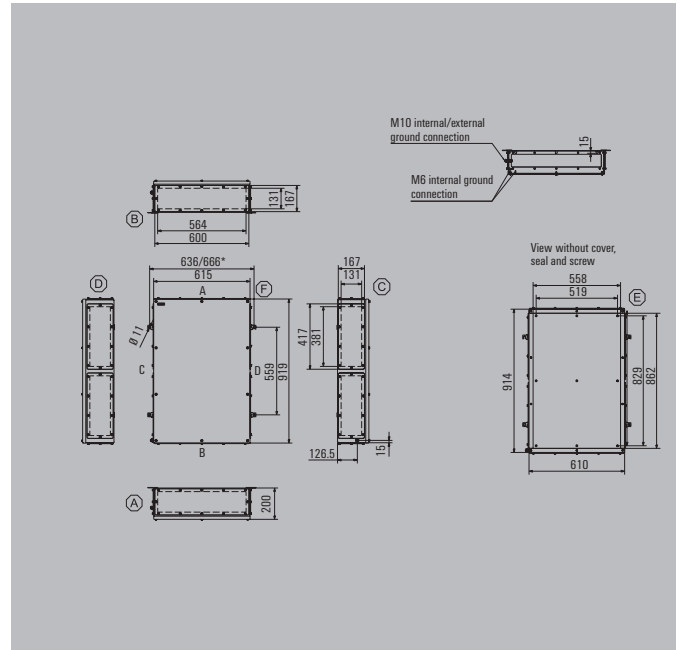
Label holder	Order No.
70 x 70 angled stainless steel 1.4301	1279320000
130x50 stainless steel 1.4301	1283450000
100x25 stainless steel 1.4301	1257640000

Document holder	Order No.
For DIN A6 size documents	1252780000
For DIN A5 size documents	1252750000
For DIN A4 size documents	1252730000

Set of fixings	Order No.
For label holders, rain hoods and document holders (rivet)	1252190000
For plastic (Trafolyte), identification plate (screw)	1285200000

Earthing stud	Order No.
Stainless steel 1.4404	1192690000

Note



Max. number of terminals (industry)

Max. number of terminals (industry)	vertical	horizontal
2.5 mm ²	5x161	8x102
4 mm ²	4x135	7x85
6 mm ²	4x102	7x64
10 mm ²	3x82	6x52
16 mm ²	3x68	5x43
35 mm ²	2x51	4x32

Note

*For the enclosure versions with no, one or two gland plates, the horizontal distance between the mounting feet is reduced by 30 mm. The assembly with modular terminals gives consideration to a distance of 10 mm from the end of each mounting rail.
Order recommendations:
TS 35 mounting rail (screw terminal) WDU 2.5 1020000000 / (tension clamp terminal) ZDU 2.5 1608510000 / (tension clamp terminal) PDU 2.5 1896110000
TS 32 mounting rail (screw terminal) SAK 2.5 0279660000
TS 15 mounting rail (screw terminal) AKZ 2.5 0697160000

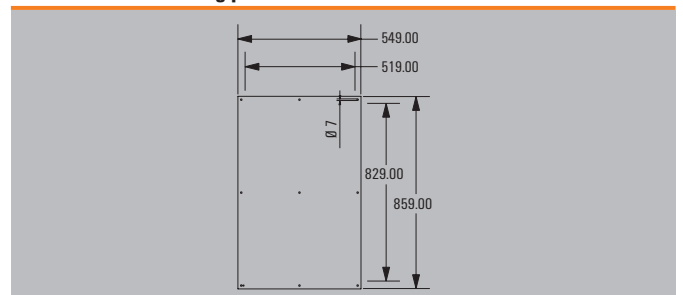
Number of cable entries

Number of cable entries	A / B	C / D
M12	88	116
M16	58	80
M20	38	52
M25	33	42
M32	18	24
M40	15	20
M50	6	8
M63	5	6
M75	4	6

Note

Our IP 68 brass cable glands are used as the reference for these guideline values.

Dimensions of mounting plate





Height/Width/Depth 980 / 740 / 200 mm

Ordering data

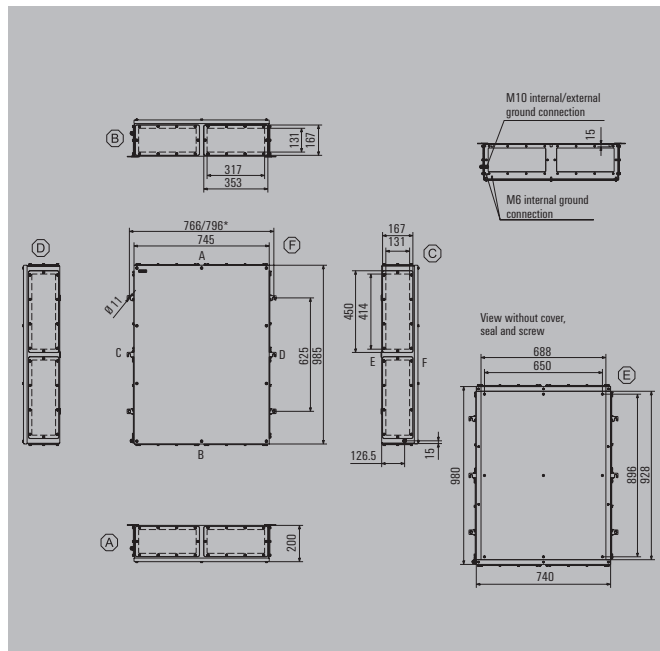
Stainless steel 1.4404 316L, electropolished	Order No.
1 gland plate - bottom side (B)	1196710000
2 gland plates - top and bottom sides (A & B)	1196720000
3 gland plates - bottom, left and right sides (B, C & D)	1196730000
4 gland plates - top, bottom, left and right sides (A, B, C & D)	1196740000

Note Painted sheet steel enclosure available on request. The colours of painted enclosures may vary under certain circumstances.

Accessories

Mounting plates and fastening screws	Order No.
Steel sheet, zinc plated	1194050000
Stainless steel 1.4301	1193920000
With hole pattern, natural stainless steel 1.4301	1257770000
Fastening screws for mounting plates	0642600000
Fastening screws for terminal rails	1274150000
Stainless steel spacer M6 x 8, Set of 4	
10 mm length	0935110000
15 mm length	0935120000
20 mm length	0935130000
30 mm length	0935140000
Gland plates and screws - 6 mm	
Top and bottom sides (A & B), electropolished stainless steel 1.4404	1256750000
Left and right sides (C & D), electropolished stainless steel 1.4404	1256760000
Mounting screw, stainless steel 1.4404	1253230000
Label holder	
70 x 70 angled stainless steel 1.4301	1279320000
130x50 stainless steel 1.4301	1283450000
100x25 stainless steel 1.4301	1257640000
Document holder	
For DIN A6 size documents	1252780000
For DIN A5 size documents	1252750000
For DIN A4 size documents	1252730000
Set of fixings	
For label holders, rain hoods and document holders (rivet)	1252190000
For plastic (Trafolyte), identification plate (screw)	1285200000
Earthing stud	
Stainless steel 1.4404	1192690000

Note



Max. number of terminals (industry)

Max. number of terminals (industry)	vertical	horizontal
2.5 mm ²	6x174	9x127
4 mm ²	6x146	8x106
6 mm ²	5x110	7x80
10 mm ²	4x88	6x64
16 mm ²	4x74	5x54
35 mm ²	3x55	4x40



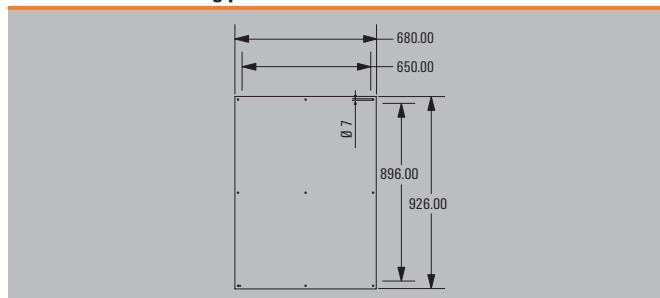
Note *For the enclosure versions with no, one or two gland plates, the horizontal distance between the mounting feet is reduced by 30 mm. The assembly with modular terminals gives consideration to a distance of 10 mm from the end of each mounting rail.
Order recommendations:
TS 35 mounting rail (screw terminal) WDU 2.5 1020000000 / (tension clamp terminal) ZDU 2.5 1608510000 / (tension clamp terminal) PDU 2.5 1896110000
TS 32 mounting rail (screw terminal) SAK 2.5 0279660000
TS 15 mounting rail (screw terminal) AKZ 2.5 0697160000

Number of cable entries

Number of cable entries	A / B	C / D
M12	96	126
M16	64	84
M20	42	54
M25	36	48
M32	20	26
M40	16	22
M50	6	10
M63	6	8
M75	4	6

Note Our IP 68 brass cable glands are used as the reference for these guideline values.

Dimensions of mounting plate



Klippon® TBi QL - Quarter Lock

**Stainless steel enclosures
for use within harsh industrial environments**

NEW

Even under moderate environmental conditions, there is an increasing need for complex, individual automated solutions. A harsh industrial environment places additional, heavy demands on applications and determines the design of the industrial enclosures to meet these demands. With complete protection and excellent durability, our Klippon® TBi stainless steel enclosures offer the best protection for the components inside them. Its electro-polished surface makes the enclosure extraordinarily resistant to corrosion.



- Available in 11 sizes and 2 depths
- Operating temperature range -40 °C to +85 °C
- Impact resistance of 10 J Industrial application
- Dedicated internal mounting support bracket for fixing terminal rail or mounting plates with self forming screws
- External Earth point - suitable for M6 threaded screw
- Concealed hinges
- Internal earth stud - M6 screw fitted to enclosure lid and base
- Supplied in 0 or 1 gland plate version
- Direct enclosure mounting is provided via the fixing positions placed into the rear of the enclosure
- Mounting feet in stainless steel are optionally available and can be rotated 90°
- Dust and moisture channel
- Double-bit locking system

Our assembly service can supply these enclosure preassembled with terminals and cable glands according to customer requirements.

Overview of enclosures

Ordering data

Description	Height x width x depth in mm	0 Gland Plate	1 Gland Plate (below)
KTBi QL 302015 S2E_*	300 x 200 x 150	1197430000	1197440000
KTBi QL 303015 S2E_*	300 x 300 x 150	1197450000	1197460000
KTBi QL 303022 S2E_*	300 x 300 x 220	1197470000	1197480000
KTBi QL 403015 S2E_*	400 x 300 x 150	1197490000	1197500000
KTBi QL 403022 S2E_*	400 x 300 x 220	1197510000	1197520000
KTBi QL 404022 S2E_*	400 x 400 x 220	1197530000	1197540000
KTBi QL 504022 S2E_*	500 x 400 x 220	1197550000	1197560000
KTBi QL 505022 S2E_*	500 x 500 x 220	1197570000	1197580000
KTBi QL 604022 S2E_*	600 x 400 x 220	1197590000	1197600000
KTBi QL 606022 S2E_*	600 x 600 x 220	1197610000	1197620000
KTBi QL 806022 S2E_*	800 x 600 x 220	1197630000	1197640000

Note *Placeholder for the number of gland plates (0 or 1)

Technical Overview

Features

- Available in 11 sizes and 2 standard depths
- Welded mounting bracket for securing the mounting plate or mounting rail by means of self-tapping screws
- External earth - M6 earth tab rivet
- Concealed hinges
- M6 earthing bolt welded in the cover and base of the enclosure
- Available with 0 or 1 flange plates
- Optimised laser welding, high quality standard
- Direct mounting of the enclosure with rear mounting holes
- Mounting feet in stainless steel are optionally available, and can be rotated by 90°
- Moisture and dust channel
- Double-bit locking system
- Permanent labelling of items
- Multi-functional tool included
- Packaging optimally designed for enclosure

Note

Technical data

Material	Stainless steel 1.4301 1.5 mm
Surface	Electroplished
IP protection class	IP 66
NEMA Rating	3, 4x, 5
Gland plates	1.5 mm thick stainless steel 1.4301 (304) flange plates, mounted with M6 screws, spanner size 10 mm
Earthing inside	Welded-on M6 stainless-steel earth stud in enclosure lid and base
Earthing outside	External earth position - suitable for M6 threaded screw
Installation mounting	Welded mounting bracket for flexible mounting of the mounting plate, rails or TAS 20 rails. They contain 4.51 mm drill holes for accommodating the mounting plate or TS/TAS by means of self-tapping screws (1274150000)
Enclosure attachment	Direct mounting (11 mm mounting holes on rear wall) or via mounting feet (optionally available), adjustable by 90°
Lid opening	125°
Lid fixing	Quarter lock with double bit
Impact resistance	10J
Gasket material	Neoprene - CR
Operating temperature range	-40 °C ... +85 °C
Tightening torque of gland plates screws*	2.5 Nm
Note	*Please use our hexagon screwdriver with 10 mm size (9009070000)

Approvals for empty enclosures

DIN EN 62208	Empty enclosure standard
Germanischer Lloyd	20 593 - 11 HH
cULus	E243298
Note	



Height/Width/Depth 300 / 300 / 150 mm

Ordering data

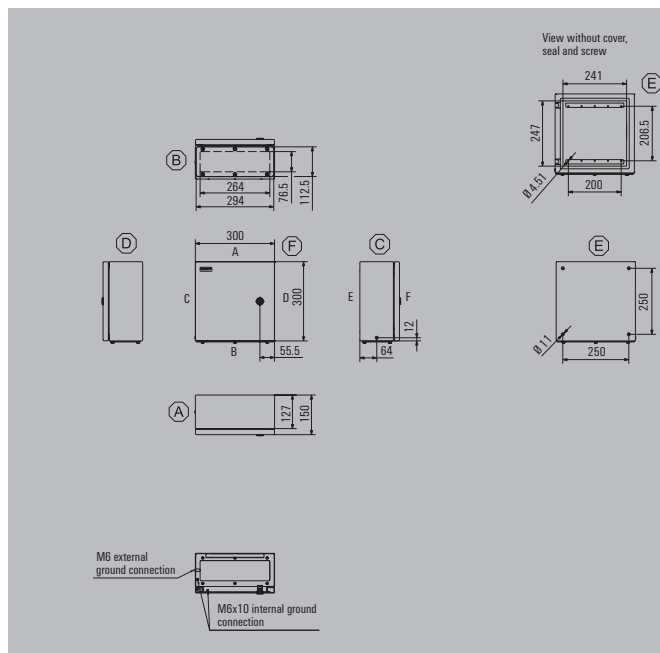
Stainless steel 1.4301 304, electropolished	Order No.
0 gland plate	1197450000
1 gland plate - bottom side (B)	1197460000

Note

Accessories

Mounting plates and fastening screws	Order No.
Steel sheet, zinc plated	1310410000
Stainless steel 1.4301	1310320000
Fastening screws for terminal rails	1274150000
Stainless steel spacer M6 x 8, Set of 4	
10 mm length	0935110000
15 mm length	0935120000
20 mm length	0935130000
30 mm length	0935140000
Mild steel nickel plated Spacer M6 x 8, set of 2	
15 mm length	3896100000
20 mm length	3896200000
30 mm length	3896300000
Mounting feet, set containing 4 pieces each	
Stainless steel 1.4301	1289180000
Lock inserts	
Double-bit	1191590000
Slot	1191600000

Note



Max. number of terminals (industry)

Max. number of terminals (industry)	vertical	horizontal
2.5 mm ²	3x36	3x36
4 mm ²	3x30	3x30
6 mm ²	3x23	3x23
10 mm ²	3x18	3x18
16 mm ²	3x15	3x15
35 mm ²	3x11	3x11



Note

The assembly with modular terminals gives consideration to a distance of 10 mm from the end of each mounting rail.
 Order recommendations:
 TS 35 mounting rail (screw terminal) WDU 2.5 1020000000 / (tension clamp terminal)
 ZDU 2.5 1608510000 / (tension clamp terminal) PDU 2.5 1896110000
 TS 32 mounting rail (screw terminal) SAK 2.5 0279660000
 TS 15 mounting rail (screw terminal) AKZ 2.5 0697160000

Number of cable entries

Number of cable entries	A / B	C / D
M12	23	
M16	13	
M20	11	
M25	5	
M32	4	
M40	3	
M50	3	
M63		
M75		



Note

Our IP 68 brass cable glands are used as the reference for these guideline values.



Height/Width/Depth 300 / 300 / 220 mm

Ordering data

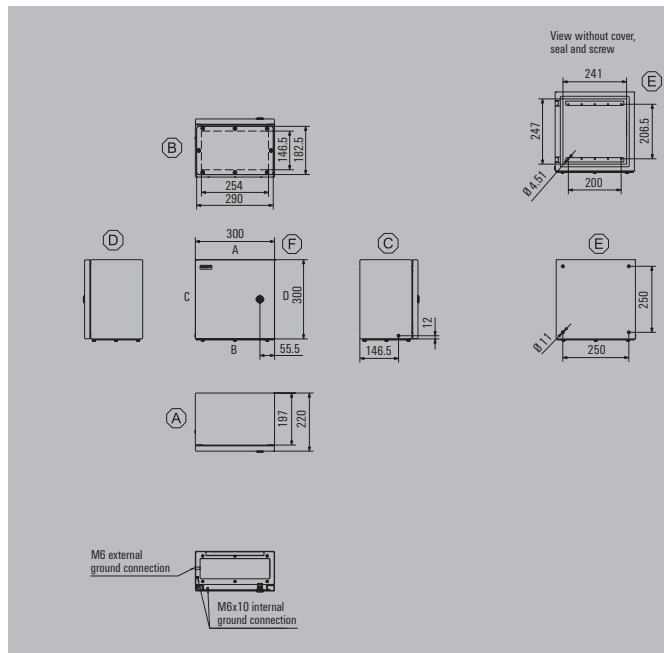
Stainless steel 1.4301 304, electropolished	Order No.
0 gland plate	1197470000
1 gland plate - bottom side (B)	1197480000

Note

Accessories

Mounting plates and fastening screws	Order No.
Steel sheet, zinc plated	1310410000
Stainless steel 1.4301	1310320000
Fastening screws for terminal rails	1274150000
Stainless steel spacer M6 x 8, Set of 4	
10 mm length	0935110000
15 mm length	0935120000
20 mm length	0935130000
30 mm length	0935140000
Mild steel nickel plated Spacer M6 x 8, set of 2	
15 mm length	3896100000
20 mm length	3896200000
30 mm length	3896300000
Mounting feet, set containing 4 pieces each	
Stainless steel 1.4301	1289180000
Lock inserts	
Double-bit	1191590000
Slot	1191600000

Note



Max. number of terminals (industry)

Max. number of terminals (industry)	vertical	horizontal
2.5 mm ²	3x36	3x36
4 mm ²	3x30	3x30
6 mm ²	3x23	3x23
10 mm ²	3x18	3x18
16 mm ²	3x15	3x15
35 mm ²	3x11	3x11



Note

The assembly with modular terminals gives consideration to a distance of 10 mm from the end of each mounting rail.
 Order recommendations:
 TS 35 mounting rail (screw terminal) WDU 2.5 1020000000 / (tension clamp terminal) ZDU 2.5 1608510000 / (tension clamp terminal) PDU 2.5 1896110000
 TS 32 mounting rail (screw terminal) SAK 2.5 0279660000
 TS 15 mounting rail (screw terminal) AKZ 2.5 0697160000

Number of cable entries

Number of cable entries	A / B	C / D
M12	38	
M16	26	
M20	22	
M25	14	
M32	7	
M40	6	
M50	3	
M63	2	
M75	2	



Note

Our IP 68 brass cable glands are used as the reference for these guideline values.



Height/Width/Depth 400 / 300 / 150 mm

Ordering data

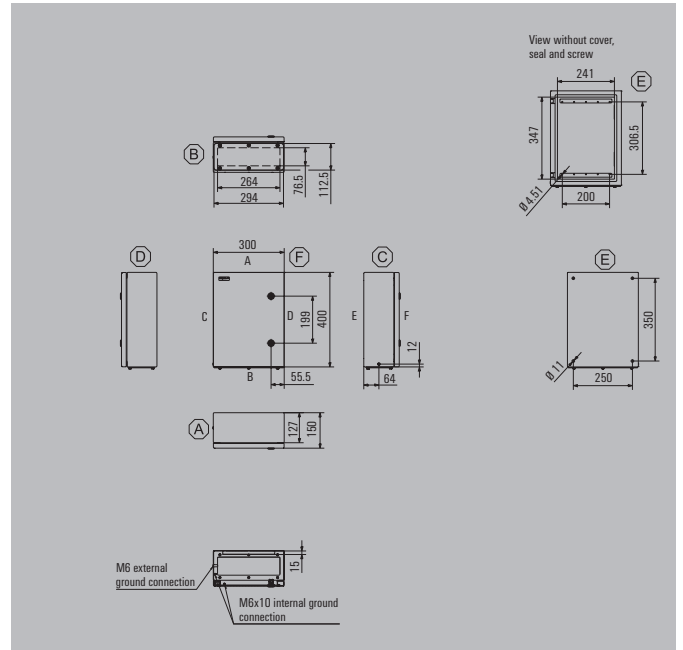
Stainless steel 1.4301 304, electropolished	Order No.
0 gland plate	1197490000
1 gland plate - bottom side (B)	1197500000

Note

Accessories

Mounting plates and fastening screws	Order No.
Steel sheet, zinc plated	1310420000
Stainless steel 1.4301	1310330000
Fastening screws for terminal rails	1274150000
Stainless steel spacer M6 x 8, Set of 4	
10 mm length	0935110000
15 mm length	0935120000
20 mm length	0935130000
30 mm length	0935140000
Mild steel nickel plated Spacer M6 x 8, set of 2	
15 mm length	3896100000
20 mm length	3896200000
30 mm length	3896300000
Mounting feet, set containing 4 pieces each	
Stainless steel 1.4301	1289180000
Lock inserts	
Double-bit	1191590000
Slot	1191600000

Note



Max. number of terminals (industry)

Max. number of terminals (industry)	vertical	horizontal
2.5 mm ²	3x56	4x36
4 mm ²	3x47	4x30
6 mm ²	3x35	4x23
10 mm ²	3x28	4x18
16 mm ²	3x23	4x15
35 mm ²	3x18	4x11



Note

The assembly with modular terminals gives consideration to a distance of 10 mm from the end of each mounting rail.
 Order recommendations:
 TS 35 mounting rail (screw terminal) WDU 2.5 1020000000 / (tension clamp terminal) ZDU 2.5 1608510000 / (tension clamp terminal) PDU 2.5 1896110000
 TS 32 mounting rail (screw terminal) SAK 2.5 0279660000
 TS 15 mounting rail (screw terminal) AKZ 2.5 0697160000

Number of cable entries

Number of cable entries	A / B	C / D
M12	23	
M16	13	
M20	11	
M25	5	
M32	4	
M40	3	
M50	3	
M63		
M75		

Note

Our IP 68 brass cable glands are used as the reference for these guideline values.



Height/Width/Depth 400 / 300 / 220 mm

Ordering data

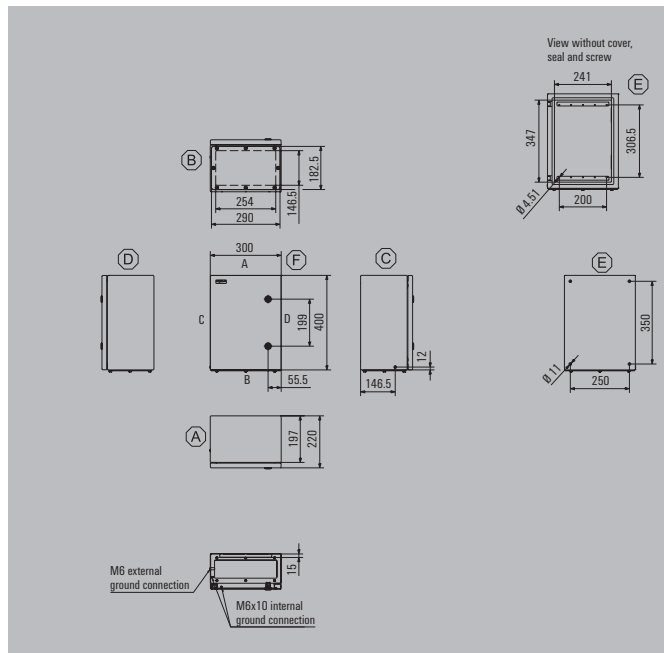
Stainless steel 1.4301 304, electropolished	Order No.
0 gland plate	1197510000
1 gland plate - bottom side (B)	1197520000

Note

Accessories

Mounting plates and fastening screws	Order No.
Steel sheet, zinc plated	1310420000
Stainless steel 1.4301	1310330000
Fastening screws for terminal rails	1274150000
Stainless steel spacer M6 x 8, Set of 4	
10 mm length	0935110000
15 mm length	0935120000
20 mm length	0935130000
30 mm length	0935140000
Mild steel nickel plated Spacer M6 x 8, set of 2	
15 mm length	3896100000
20 mm length	3896200000
30 mm length	3896300000
Mounting feet, set containing 4 pieces each	
Stainless steel 1.4301	1289180000
Lock inserts	
Double-bit	1191590000
Slot	1191600000

Note



Max. number of terminals (industry)

Max. number of terminals (industry)	vertical	horizontal
2.5 mm ²	3x56	4x36
4 mm ²	3x47	4x30
6 mm ²	3x35	4x23
10 mm ²	3x28	4x18
16 mm ²	3x23	4x15
35 mm ²	3x18	4x11



Note

The assembly with modular terminals gives consideration to a distance of 10 mm from the end of each mounting rail.
 Order recommendations:
 TS 35 mounting rail (screw terminal) WDU 2.5 1020000000 / (tension clamp terminal) ZDU 2.5 1608510000 / (tension clamp terminal) PDU 2.5 1896110000
 TS 32 mounting rail (screw terminal) SAK 2.5 0279660000
 TS 15 mounting rail (screw terminal) AKZ 2.5 0697160000

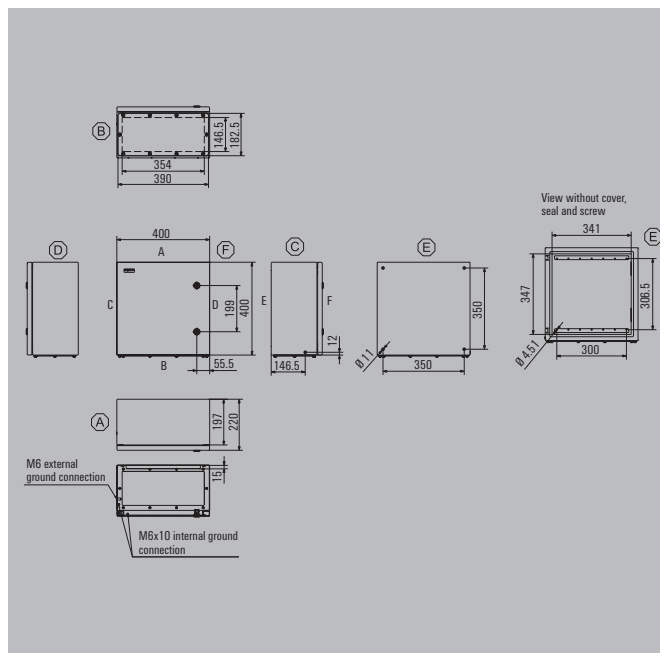
Number of cable entries

Number of cable entries	A / B	C / D
M12	38	
M16	26	
M20	22	
M25	14	
M32	7	
M40	6	
M50	3	
M63	2	
M75	2	



Note

Our IP 68 brass cable glands are used as the reference for these guideline values.



Height/Width/Depth 400 / 400 / 220 mm

Ordering data

Stainless steel 1.4301 304, electropolished	Order No.
0 gland plate	1197530000
1 gland plate - bottom side (B)	1197540000

Note

Accessories

Mounting plates and fastening screws	Order No.
Steel sheet, zinc plated	1310430000
Stainless steel 1.4301	1310340000
Fastening screws for terminal rails	1274150000
Stainless steel spacer M6 x 8, Set of 4	
10 mm length	0935110000
15 mm length	0935120000
20 mm length	0935130000
30 mm length	0935140000
Mild steel nickel plated Spacer M6 x 8, set of 2	
15 mm length	3896100000
20 mm length	3896200000
30 mm length	3896300000
Mounting feet, set containing 4 pieces each	
Stainless steel 1.4301	1289180000
Lock inserts	
Double-bit	1191590000
Slot	1191600000

Note

Max. number of terminals (industry)

Max. number of terminals (industry)	vertical	horizontal
2.5 mm ²	4x56	4x56
4 mm ²	4x47	4x47
6 mm ²	4x35	4x35
10 mm ²	4x28	4x28
16 mm ²	4x23	4x23
35 mm ²	4x18	4x18



Note The assembly with modular terminals gives consideration to a distance of 10 mm from the end of each mounting rail.
 Order recommendations:
 TS 35 mounting rail (screw terminal) WDU 2.5 1020000000 / (tension clamp terminal) ZDU 2.5 1608510000 / (tension clamp terminal) PDU 2.5 1896110000
 TS 32 mounting rail (screw terminal) SAK 2.5 0279660000
 TS 15 mounting rail (screw terminal) AKZ 2.5 0697160000

Number of cable entries

Number of cable entries	A / B	C / D
M12	53	
M16	36	
M20	30	
M25	20	
M32	11	
M40	9	
M50	4	
M63	3	
M75	3	



Note Our IP 68 brass cable glands are used as the reference for these guideline values.

Klippon® TBI QL 504022

Depth 220 mm



Height/Width/Depth 500 / 400 / 220 mm

Ordering data

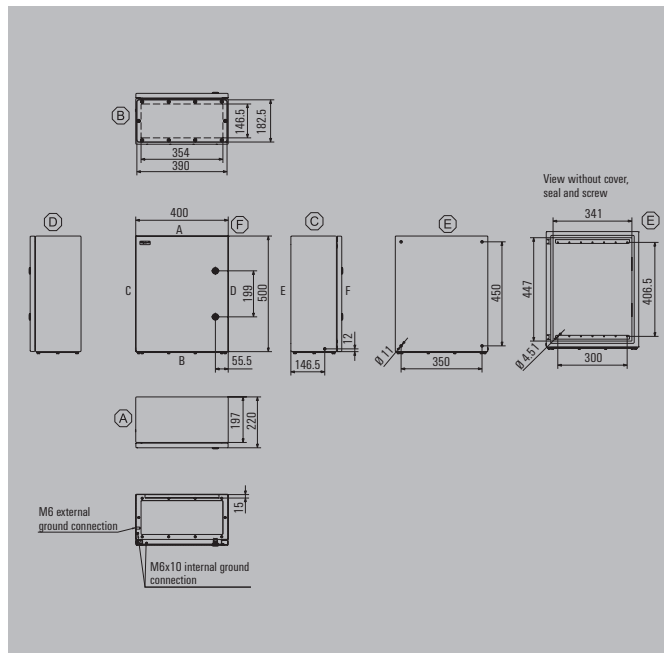
Stainless steel 1.4301 304, electropolished	Order No.
0 gland plate	1197550000
1 gland plate - bottom side (B)	1197560000

Note

Accessories

Mounting plates and fastening screws	Order No.
Steel sheet, zinc plated	1310440000
Stainless steel 1.4301	1310350000
Fastening screws for terminal rails	1274150000
Stainless steel spacer M6 x 8, Set of 4	
10 mm length	0935110000
15 mm length	0935120000
20 mm length	0935130000
30 mm length	0935140000
Mild steel nickel plated Spacer M6 x 8, set of 2	
15 mm length	3896100000
20 mm length	3896200000
30 mm length	3896300000
Mounting feet, set containing 4 pieces each	
Stainless steel 1.4301	1289180000
Lock inserts	
Double-bit	1191590000
Slot	1191600000

Note



Max. number of terminals (industry)

Max. number of terminals (industry)	vertical	horizontal
2.5 mm ²	4x75	6x56
4 mm ²	4x63	6x47
6 mm ²	4x47	6x35
10 mm ²	4x38	6x28
16 mm ²	4x32	6x23
35 mm ²	4x24	6x18



Note

The assembly with modular terminals gives consideration to a distance of 10 mm from the end of each mounting rail.
 Order recommendations:
 TS 35 mounting rail (screw terminal) WDU 2.5 1020000000 / (tension clamp terminal) ZDU 2.5 1608510000 / (tension clamp terminal) PDU 2.5 1896110000
 TS 32 mounting rail (screw terminal) SAK 2.5 0279660000
 TS 15 mounting rail (screw terminal) AKZ 2.5 0697160000

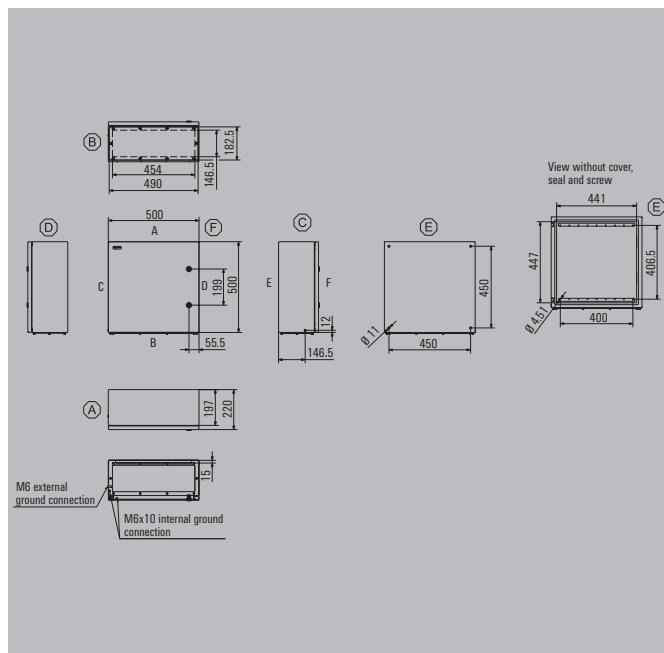
Number of cable entries

Number of cable entries	A / B	C / D
M12	53	
M16	36	
M20	30	
M25	20	
M32	11	
M40	9	
M50	4	
M63	3	
M75	3	



Note

Our IP 68 brass cable glands are used as the reference for these guideline values.



Height/Width/Depth 500 / 500 / 220 mm

Ordering data

Stainless steel 1.4301 304, electropolished	Order No.
0 gland plate	1197570000
1 gland plate - bottom side (B)	1197580000

Note

Accessories

Mounting plates and fastening screws	Order No.
Steel sheet, zinc plated	1310450000
Stainless steel 1.4301	1310360000
Fastening screws for terminal rails	1274150000
Stainless steel spacer M6 x 8, Set of 4	
10 mm length	0935110000
15 mm length	0935120000
20 mm length	0935130000
30 mm length	0935140000
Mild steel nickel plated Spacer M6 x 8, set of 2	
15 mm length	3896100000
20 mm length	3896200000
30 mm length	3896300000
Mounting feet, set containing 4 pieces each	
Stainless steel 1.4301	1289180000
Lock inserts	
Double-bit	1191590000
Slot	1191600000

Note

Max. number of terminals (industry)

Max. number of terminals (industry)	vertical	horizontal
2.5 mm ²	6x75	6x75
4 mm ²	6x63	6x63
6 mm ²	6x47	6x47
10 mm ²	6x38	6x38
16 mm ²	6x32	6x32
35 mm ²	6x24	6x24



Note The assembly with modular terminals gives consideration to a distance of 10 mm from the end of each mounting rail.
 Order recommendations:
 TS 35 mounting rail (screw terminal) WDU 2.5 1020000000 / (tension clamp terminal) ZDU 2.5 1608510000 / (tension clamp terminal) PDU 2.5 1896110000
 TS 32 mounting rail (screw terminal) SAK 2.5 0279660000
 TS 15 mounting rail (screw terminal) AKZ 2.5 0697160000

Number of cable entries

Number of cable entries	A / B	C / D
M12	70	
M16	46	
M20	40	
M25	26	
M32	14	
M40	12	
M50	5	
M63	4	
M75	3	



Note Our IP 68 brass cable glands are used as the reference for these guideline values.



Height/Width/Depth 600 / 400 / 220 mm

Ordering data

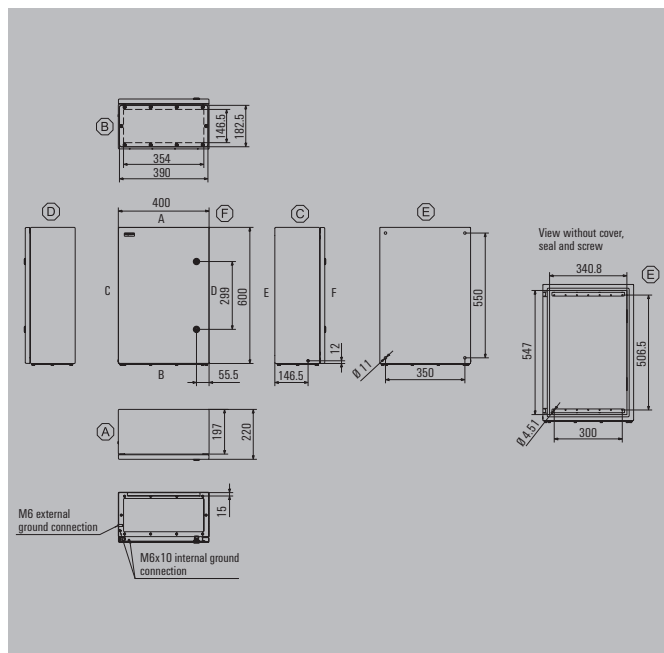
Stainless steel 1.4301 304, electropolished	Order No.
0 gland plate	1197590000
1 gland plate - bottom side (B)	1197600000

Note

Accessories

Mounting plates and fastening screws	Order No.
Steel sheet, zinc plated	1310460000
Stainless steel 1.4301	1310370000
Fastening screws for terminal rails	1274150000
Stainless steel spacer M6 x 8, Set of 4	
10 mm length	0935110000
15 mm length	0935120000
20 mm length	0935130000
30 mm length	0935140000
Mild steel nickel plated Spacer M6 x 8, set of 2	
15 mm length	3896100000
20 mm length	3896200000
30 mm length	3896300000
Mounting feet, set containing 4 pieces each	
Stainless steel 1.4301	1289180000
Lock inserts	
Double-bit	1191590000
Slot	1191600000

Note



Max. number of terminals (industry)

Max. number of terminals (industry)	vertical	horizontal
2.5 mm ²	4x94	8x56
4 mm ²	4x79	8x47
6 mm ²	4x60	8x35
10 mm ²	4x48	8x28
16 mm ²	4x40	8x23
35 mm ²	4x30	8x18



Note

The assembly with modular terminals gives consideration to a distance of 10 mm from the end of each mounting rail.
 Order recommendations:
 TS 35 mounting rail (screw terminal) WDU 2.5 1020000000 / (tension clamp terminal) ZDU 2.5 1608510000 / (tension clamp terminal) PDU 2.5 1896110000
 TS 32 mounting rail (screw terminal) SAK 2.5 0279660000
 TS 15 mounting rail (screw terminal) AKZ 2.5 0697160000

Number of cable entries

Number of cable entries	A / B	C / D
M12	53	
M16	36	
M20	30	
M25	20	
M32	11	
M40	9	
M50	4	
M63	3	
M75	3	



Note

Our IP 68 brass cable glands are used as the reference for these guideline values.



Height/Width/Depth 600 / 600 / 220 mm

Ordering data

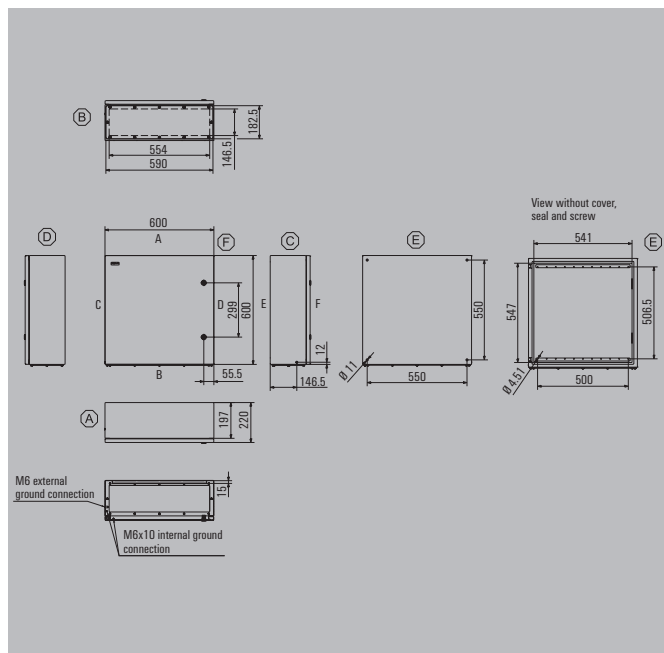
Stainless steel 1.4301 304, electropolished	Order No.
0 gland plate	1197610000
1 gland plate - bottom side (B)	1197620000

Note

Accessories

Mounting plates and fastening screws	Order No.
Steel sheet, zinc plated	1310470000
Stainless steel 1.4301	1310380000
Fastening screws for terminal rails	1274150000
Stainless steel spacer M6 x 8, Set of 4	
10 mm length	0935110000
15 mm length	0935120000
20 mm length	0935130000
30 mm length	0935140000
Mild steel nickel plated Spacer M6 x 8, set of 2	
15 mm length	3896100000
20 mm length	3896200000
30 mm length	3896300000
Mounting feet, set containing 4 pieces each	
Stainless steel 1.4301	1289180000
Lock inserts	
Double-bit	1191590000
Slot	1191600000

Note



Max. number of terminals (industry)

Max. number of terminals (industry)	vertical	horizontal
2.5 mm ²	8x94	8x94
4 mm ²	8x79	8x79
6 mm ²	8x60	8x60
10 mm ²	8x48	8x48
16 mm ²	8x40	8x40
35 mm ²	8x30	8x30



Note

The assembly with modular terminals gives consideration to a distance of 10 mm from the end of each mounting rail.
 Order recommendations:
 TS 35 mounting rail (screw terminal) WDU 2.5 1020000000 / (tension clamp terminal) ZDU 2.5 1608510000 / (tension clamp terminal) PDU 2.5 1896110000
 TS 32 mounting rail (screw terminal) SAK 2.5 0279660000
 TS 15 mounting rail (screw terminal) AKZ 2.5 0697160000

Number of cable entries

Number of cable entries	A / B	C / D
M12	85	
M16	58	
M20	50	
M25	32	
M32	17	
M40	14	
M50	6	
M63	5	
M75	4	

Note

Our IP 68 brass cable glands are used as the reference for these guideline values.



Height/Width/Depth 800 / 600 / 220 mm

Ordering data

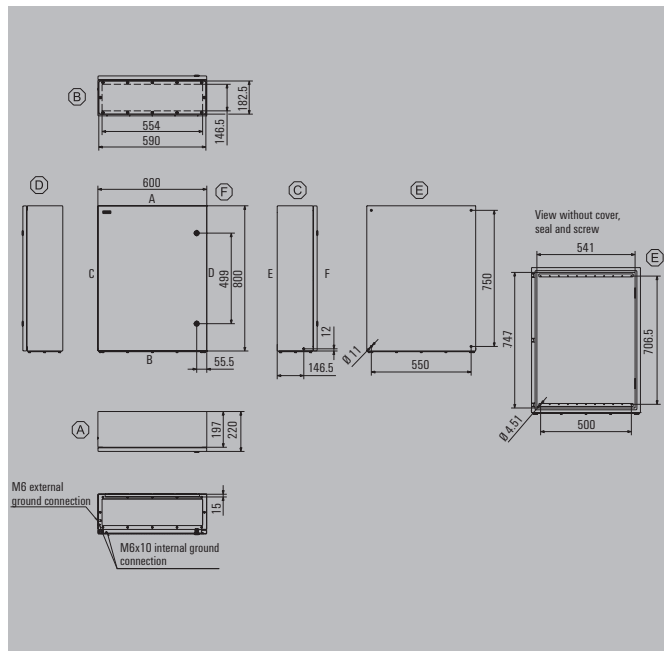
Stainless steel 1.4301 304, electropolished	Order No.
0 gland plate	1197630000
1 gland plate - bottom side (B)	1197640000

Note

Accessories

Mounting plates and fastening screws	Order No.
Steel sheet, zinc plated	1310480000
Stainless steel 1.4301	1310390000
Fastening screws for terminal rails	1274150000
Stainless steel spacer M6 x 8, Set of 4	
10 mm length	0935110000
15 mm length	0935120000
20 mm length	0935130000
30 mm length	0935140000
Mild steel nickel plated Spacer M6 x 8, set of 2	
15 mm length	3896100000
20 mm length	3896200000
30 mm length	3896300000
Mounting feet, set containing 4 pieces each	
Stainless steel 1.4301	1289180000
Lock inserts	
Double-bit	1191590000
Slot	1191600000

Note



Max. number of terminals (industry)

Max. number of terminals (industry)	vertical	horizontal
2.5 mm ²	8x133	11x94
4 mm ²	8x111	11x79
6 mm ²	8x84	11x60
10 mm ²	8x67	11x48
16 mm ²	8x56	11x40
35 mm ²	8x42	11x30



Note

The assembly with modular terminals gives consideration to a distance of 10 mm from the end of each mounting rail.
 Order recommendations:
 TS 35 mounting rail (screw terminal) WDU 2.5 1020000000 / (tension clamp terminal) ZDU 2.5 1608510000 / (tension clamp terminal) PDU 2.5 1896110000
 TS 32 mounting rail (screw terminal) SAK 2.5 0279660000
 TS 15 mounting rail (screw terminal) AKZ 2.5 0697160000

Number of cable entries

Number of cable entries	A / B	C / D
M12	85	
M16	58	
M20	50	
M25	32	
M32	17	
M40	14	
M50	6	
M63	5	
M75	4	



Note

Our IP 68 brass cable glands are used as the reference for these guideline values.

Klippon® TBi FS – Fixing Screw

**Stainless steel enclosures
for use within harsh industrial environments**

NEW

Even under moderate environmental conditions, there is an increasing need for complex, individual automated solutions. A harsh industrial environment places additional, heavy demands on applications and determines the design of the industrial enclosures to meet these demands. With complete protection and excellent durability, our Klippon® TBi stainless steel enclosures offer the best protection for the components inside them. Its electro-polished surface makes the enclosure extraordinarily resistant to corrosion.



- Available in 11 sizes and 2 depths
- Operating temperature range -40 °C to +85 °C
- Impact resistance of 10 J Industrial application
- Dedicated internal mounting support bracket for fixing terminal rail or mounting plates with self forming screws
- External earth point - suitable for M6 threaded screw
- Concealed hinges
- Internal earth stud - M6 screw fitted to enclosure lid and base
- Supplied in 0 or 1 gland plate version
- Direct mounting of the enclosure by means of rear mounting holes
- Mounting feet in stainless steel are optionally available, can be rotated by 90°
- Moisture and dust channel
- Double-bit locking system

Our assembly service can supply these enclosure preassembled with terminals and cable glands according to customer requirements.

Overview of enclosures

Ordering data

Description	Height x width x depth in mm	0 Gland Plate	1 Gland Plate (below)
KTBi FS 302015 S2E_*	300 x 200 x 150	1197200000	1197210000
KTBi FS 303015 S2E_*	300 x 300 x 150	1197220000	1197230000
KTBi FS 303022 S2E_*	300 x 300 x 220	1197240000	1197250000
KTBi FS 403015 S2E_*	400 x 300 x 150	1197260000	1197270000
KTBi FS 403022 S2E_*	400 x 300 x 220	1197280000	1197290000
KTBi FS 404022 S2E_*	400 x 400 x 220	1197300000	1197310000
KTBi FS 504022 S2E_*	500 x 400 x 220	1197320000	1197330000
KTBi FS 505022 S2E_*	500 x 500 x 220	1197340000	1197350000
KTBi FS 604022 S2E_*	600 x 400 x 220	1197360000	1197370000
KTBi FS 606022 S2E_*	600 x 600 x 220	1197380000	1197390000
KTBi FS 806022 S2E_*	800 x 600 x 220	1197400000	1197410000

Note *Placeholder for the number of gland plates (0 or 1)

Technical Overview

Features

- Available in 11 sizes and 2 standard depths
- Welded mounting bracket for securing the mounting plate or mounting rail by means of self-tapping screws
- External earth - M6 earth tab rivet
- M6 earthing bolt welded in the cover and base of the enclosure
- Available with 0 or 1 flange plates
- Optimised laser welding, high quality standard
- Direct mounting of the enclosures with rear mounting holes
- Mounting feet in stainless steel are optionally available, and can be rotated by 90°
- Permanent labelling of items
- Packaging optimally designed for enclosure

Note

Technical data

Material	Stainless steel 1.4301 (304) 1.5 mm
Surface	Electroplished
IP protection class	IP 66
NEMA Rating	3, 4x, 5
Gland plates	1.5 mm thick stainless steel 1.4301 (304) flange plates, mounted with M6 screws, spanner size 10 mm
Earthing inside	Welded-on M6 stainless-steel earth stud in enclosure lid and base
Earthing outside	M6 earth tab rivet
Installation mounting	Welded mounting bracket for flexible mounting of the mounting plate, rails or TAS 20 rails. They contain 4.51 mm drill holes for accommodating the mounting plate or TS/TAS by means of self-tapping screws (1274150000)
Enclosure attachment	Direct mounting (11 mm mounting holes on rear wall) or via mounting feet (optionally available), adjustable by 90°
Lid opening	Fully removable lid
Lid fixing	M6 hexagon head slotted screws SW10 without hinge
Impact resistance	10J
Gasket material	Neoprene - CR
Operating temperature range	-40 °C ... +85 °C
Tightening torque screws of lid and gland plates*	2.5 Nm
Note	*Please use our hexagon screwdriver with 10 mm size (9009070000)

Approvals for empty enclosures

DIN EN 62208	Empty enclosure standard
Germanischer Lloyd	20 593 - 11 HH
cULus	E256877
Note	



Height/Width/Depth 300 / 200 / 150 mm

Ordering data

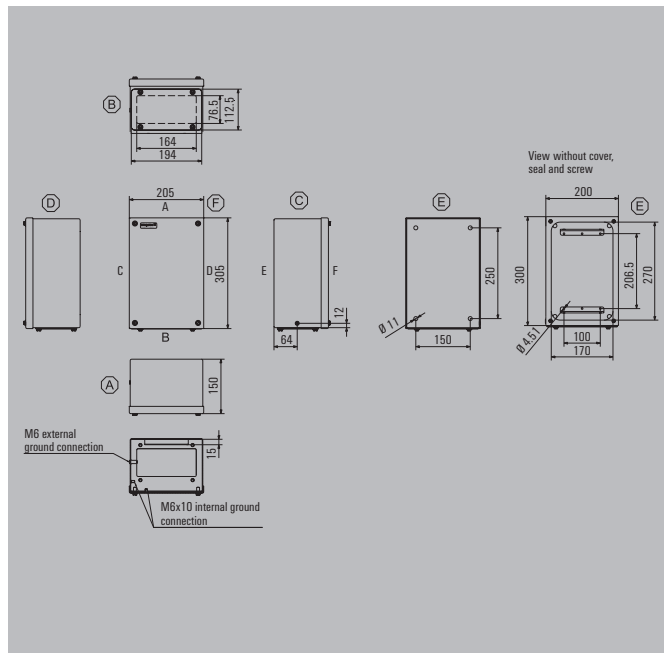
Stainless steel 1.4301 304, electropolished	Order No.
0 gland plate	1197200000
1 gland plate - bottom side (B)	1197210000

Note

Accessories

Mounting plates and fastening screws	Order No.
Steel sheet, zinc plated	1309690000
Stainless steel 1.4301	1309700000
Fastening screws for terminal rails	1274150000
Stainless steel spacer M6 x 8, Set of 4	
10 mm length	0935110000
15 mm length	0935120000
20 mm length	0935130000
30 mm length	0935140000
Mild steel nickel plated Spacer M6 x 8, set of 2	
15 mm length	3896100000
20 mm length	3896200000
30 mm length	3896300000
Mounting feet, set containing 4 pieces each	
Stainless steel 1.4301	1289180000

Note



Max. number of terminals (industry)

Max. number of terminals (industry)	vertical	horizontal
2.5 mm ²	1x36	3x17
4 mm ²	1x30	3x14
6 mm ²	1x23	3x11
10 mm ²	1x18	3x9
16 mm ²	1x15	3x7
35 mm ²	1x11	3x5



Note The assembly with modular terminals gives consideration to a distance of 10 mm from the end of each mounting rail.
 Order recommendations:
 TS 35 mounting rail (screw terminal) WDU 2.5 1020000000 / (tension clamp terminal) ZDU 2.5 1608510000 / (tension clamp terminal) PDU 2.5 1896110000
 TS 32 mounting rail (screw terminal) SAK 2.5 0279660000
 TS 15 mounting rail (screw terminal) AKZ 2.5 0697160000

Number of cable entries

Number of cable entries	A / B	C / D
M12	14	
M16	7	
M20	6	
M25	3	
M32	2	
M40	2	
M50	1	
M63		
M75		



Note Our IP 68 brass cable glands are used as the reference for these guideline values.



Height/Width/Depth 300 / 300 / 150 mm

Ordering data

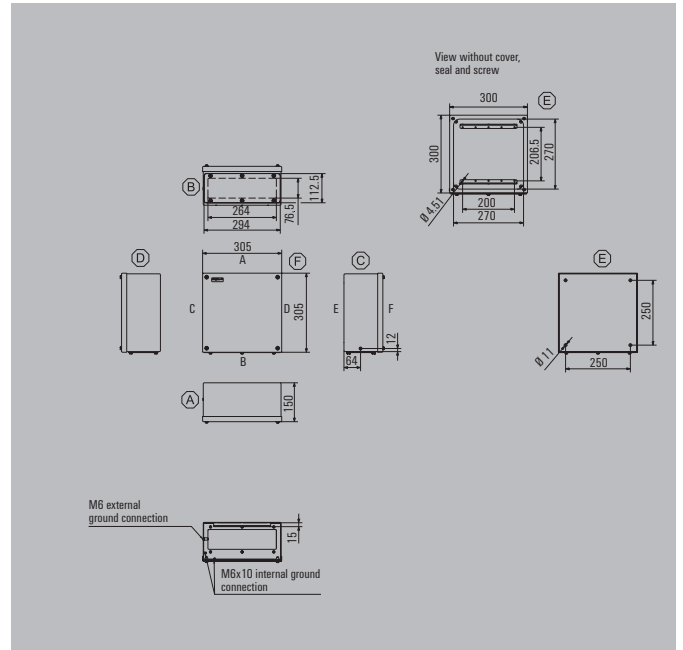
Stainless steel 1.4301 304, electropolished	Order No.
0 gland plate	1197220000
1 gland plate - bottom side (B)	1197230000

Note

Accessories

Mounting plates and fastening screws	Order No.
Steel sheet, zinc plated	1310410000
Stainless steel 1.4301	1310320000
Fastening screws for terminal rails	1274150000
Stainless steel spacer M6 x 8, Set of 4	
10 mm length	0935110000
15 mm length	0935120000
20 mm length	0935130000
30 mm length	0935140000
Mild steel nickel plated Spacer M6 x 8, set of 2	
15 mm length	3896100000
20 mm length	3896200000
30 mm length	3896300000
Mounting feet, set containing 4 pieces each	
Stainless steel 1.4301	1289180000

Note



Max. number of terminals (industry)

Max. number of terminals (industry)	vertical	horizontal
2.5 mm ²	3x36	3x36
4 mm ²	3x30	3x30
6 mm ²	3x23	3x23
10 mm ²	3x18	3x18
16 mm ²	3x15	3x15
35 mm ²	3x11	3x11



Note

The assembly with modular terminals gives consideration to a distance of 10 mm from the end of each mounting rail.
 Order recommendations:
 TS 35 mounting rail (screw terminal) WDU 2.5 1020000000 / (tension clamp terminal) ZDU 2.5 1608510000 / (tension clamp terminal) PDU 2.5 1896110000
 TS 32 mounting rail (screw terminal) SAK 2.5 0279660000
 TS 15 mounting rail (screw terminal) AKZ 2.5 0697160000

Number of cable entries

Number of cable entries	A / B	C / D
M12	23	
M16	13	
M20	11	
M25	5	
M32	4	
M40	3	
M50	3	
M63		
M75		

Note

Our IP 68 brass cable glands are used as the reference for these guideline values.



Height/Width/Depth 300 / 300 / 220 mm

Ordering data

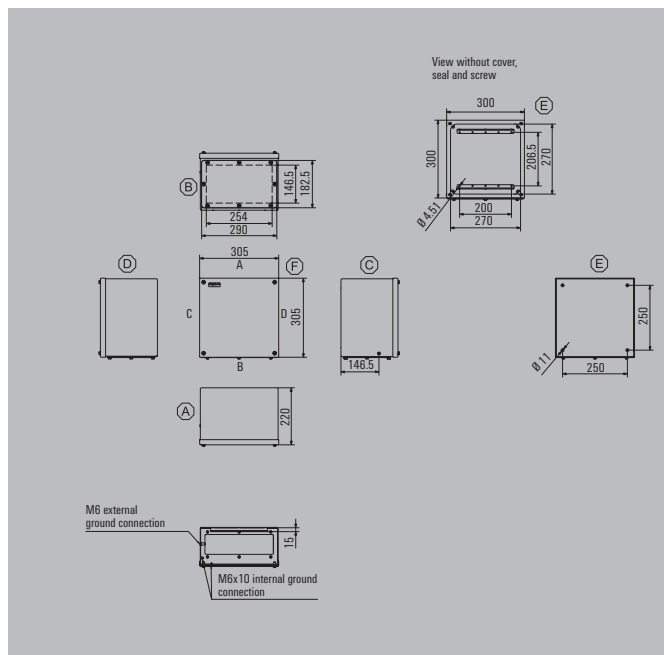
Stainless steel 1.4301 304, electropolished	Order No.
0 gland plate	1197240000
1 gland plate - bottom side (B)	1197250000

Note

Accessories

Mounting plates and fastening screws	Order No.
Steel sheet, zinc plated	1310410000
Stainless steel 1.4301	1310320000
Fastening screws for terminal rails	1274150000
Stainless steel spacer M6 x 8, Set of 4	
10 mm length	0935110000
15 mm length	0935120000
20 mm length	0935130000
30 mm length	0935140000
Mild steel nickel plated Spacer M6 x 8, set of 2	
15 mm length	3896100000
20 mm length	3896200000
30 mm length	3896300000
Mounting feet, set containing 4 pieces each	
Stainless steel 1.4301	1289180000

Note



Max. number of terminals (industry)

Max. number of terminals (industry)	vertical	horizontal
2.5 mm ²	3x36	3x36
4 mm ²	3x30	3x30
6 mm ²	3x23	3x23
10 mm ²	3x18	3x18
16 mm ²	3x15	3x15
35 mm ²	3x11	3x11



Note The assembly with modular terminals gives consideration to a distance of 10 mm from the end of each mounting rail.
 Order recommendations:
 TS 35 mounting rail (screw terminal) WDU 2.5 1020000000 / (tension clamp terminal) ZDU 2.5 1608510000 / (tension clamp terminal) PDU 2.5 1896110000
 TS 32 mounting rail (screw terminal) SAK 2.5 0279660000
 TS 15 mounting rail (screw terminal) AKZ 2.5 0697160000

Number of cable entries

Number of cable entries	A / B	C / D
M12	38	
M16	26	
M20	22	
M25	14	
M32	7	
M40	6	
M50	3	
M63	2	
M75	2	



Note Our IP 68 brass cable glands are used as the reference for these guideline values.



Height/Width/Depth 400 / 300 / 150 mm

Ordering data

Stainless steel 1.4301 304, electropolished	Order No.
0 gland plate	1197260000
1 gland plate - bottom side (B)	1197270000

Note

Accessories

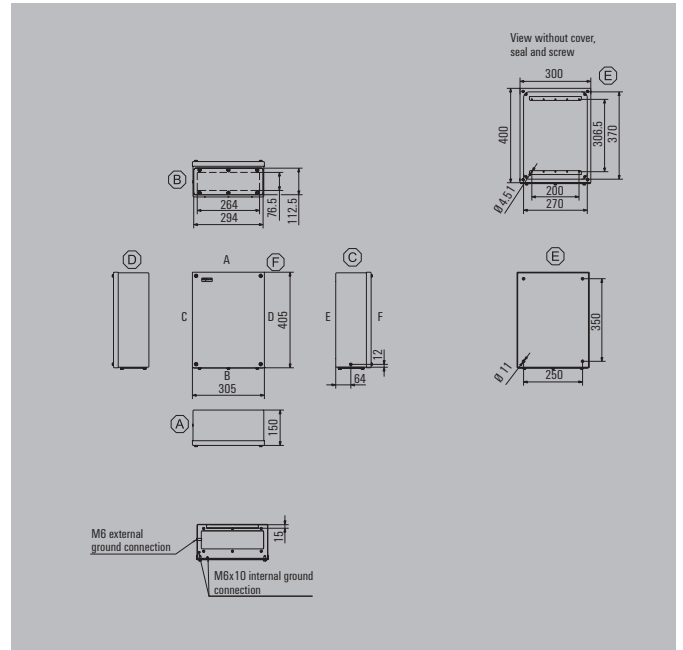
Mounting plates and fastening screws	Order No.
Steel sheet, zinc plated	1310420000
Stainless steel 1.4301	1310330000
Fastening screws for terminal rails	1274150000

Stainless steel spacer M6 x 8, Set of 4	Order No.
10 mm length	0935110000
15 mm length	0935120000
20 mm length	0935130000
30 mm length	0935140000

Mild steel nickel plated Spacer M6 x 8, set of 2	Order No.
15 mm length	3896100000
20 mm length	3896200000
30 mm length	3896300000

Mounting feet, set containing 4 pieces each	Order No.
Stainless steel 1.4301	1289180000

Note



Max. number of terminals (industry)

Max. number of terminals (industry)	vertical	horizontal
2.5 mm ²	3x56	4x36
4 mm ²	3x47	4x30
6 mm ²	3x35	4x23
10 mm ²	3x28	4x18
16 mm ²	3x23	4x15
35 mm ²	3x18	4x11



Note

The assembly with modular terminals gives consideration to a distance of 10 mm from the end of each mounting rail.
 Order recommendations:
 TS 35 mounting rail (screw terminal) WDU 2.5 1020000000 / (tension clamp terminal) ZDU 2.5 1608510000 / (tension clamp terminal) PDU 2.5 1896110000
 TS 32 mounting rail (screw terminal) SAK 2.5 0279660000
 TS 15 mounting rail (screw terminal) AKZ 2.5 0697160000

Number of cable entries

Number of cable entries	A / B	C / D
M12	23	
M16	13	
M20	11	
M25	5	
M32	4	
M40	3	
M50	3	
M63		
M75		

Note

Our IP 68 brass cable glands are used as the reference for these guideline values.



Height/Width/Depth 400 / 300 / 220 mm

Ordering data

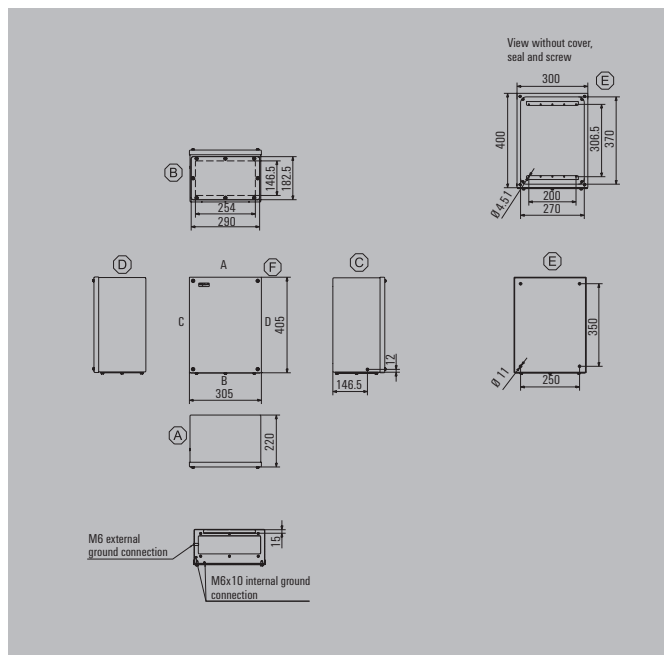
Stainless steel 1.4301 304, electropolished	Order No.
0 gland plate	1197280000
1 gland plate - bottom side (B)	1197290000

Note

Accessories

Mounting plates and fastening screws	Order No.
Steel sheet, zinc plated	1310420000
Stainless steel 1.4301	1310330000
Fastening screws for terminal rails	1274150000
Stainless steel spacer M6 x 8, Set of 4	
10 mm length	0935110000
15 mm length	0935120000
20 mm length	0935130000
30 mm length	0935140000
Mild steel nickel plated Spacer M6 x 8, set of 2	
15 mm length	3896100000
20 mm length	3896200000
30 mm length	3896300000
Mounting feet, set containing 4 pieces each	
Stainless steel 1.4301	1289180000

Note



Max. number of terminals (industry)

Max. number of terminals (industry)	vertical	horizontal
2.5 mm ²	3x56	4x36
4 mm ²	3x47	4x30
6 mm ²	3x35	4x23
10 mm ²	3x28	4x18
16 mm ²	3x23	4x15
35 mm ²	3x18	4x11



Note

The assembly with modular terminals gives consideration to a distance of 10 mm from the end of each mounting rail.
 Order recommendations:
 TS 35 mounting rail (screw terminal) WDU 2.5 1020000000 / (tension clamp terminal) ZDU 2.5 1608510000 / (tension clamp terminal) PDU 2.5 1896110000
 TS 32 mounting rail (screw terminal) SAK 2.5 0279660000
 TS 15 mounting rail (screw terminal) AKZ 2.5 0697160000

Number of cable entries

Number of cable entries	A / B	C / D
M12	38	
M16	26	
M20	22	
M25	14	
M32	7	
M40	6	
M50	3	
M63	2	
M75	2	

Note

Our IP 68 brass cable glands are used as the reference for these guideline values.



Height/Width/Depth 400 / 400 / 220 mm

Ordering data

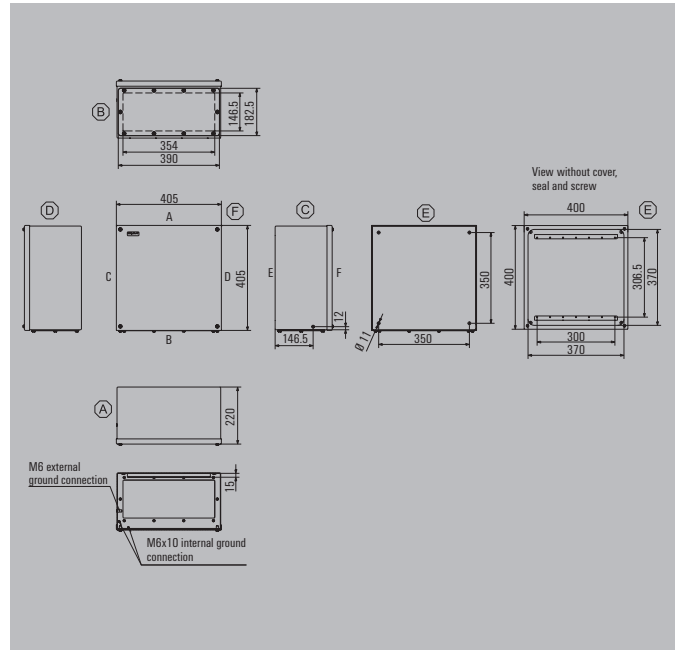
Stainless steel 1.4301 304, electropolished	Order No.
0 gland plate	1197300000
1 gland plate - bottom side (B)	1197310000

Note

Accessories

Mounting plates and fastening screws	Order No.
Steel sheet, zinc plated	1310430000
Stainless steel 1.4301	1310340000
Fastening screws for terminal rails	1274150000
Stainless steel spacer M6 x 8, Set of 4	
10 mm length	0935110000
15 mm length	0935120000
20 mm length	0935130000
30 mm length	0935140000
Mild steel nickel plated Spacer M6 x 8, set of 2	
15 mm length	3896100000
20 mm length	3896200000
30 mm length	3896300000
Mounting feet, set containing 4 pieces each	
Stainless steel 1.4301	1289180000

Note



Max. number of terminals (industry)

Max. number of terminals (industry)	vertical	horizontal
2.5 mm ²	4x56	4x56
4 mm ²	4x47	4x47
6 mm ²	4x35	4x35
10 mm ²	4x28	4x28
16 mm ²	4x23	4x23
35 mm ²	4x18	4x18



Note

The assembly with modular terminals gives consideration to a distance of 10 mm from the end of each mounting rail.
 Order recommendations:
 TS 35 mounting rail (screw terminal) WDU 2.5 1020000000 / (tension clamp terminal)
 ZDU 2.5 1608510000 / (tension clamp terminal) PDU 2.5 1896110000
 TS 32 mounting rail (screw terminal) SAK 2.5 0279660000
 TS 15 mounting rail (screw terminal) AKZ 2.5 0697160000

Number of cable entries

Number of cable entries	A / B	C / D
M12	53	
M16	36	
M20	30	
M25	20	
M32	11	
M40	9	
M50	4	
M63	3	
M75	3	

Note

Our IP 68 brass cable glands are used as the reference for these guideline values.



Height/Width/Depth 500 / 400 / 220 mm

Ordering data

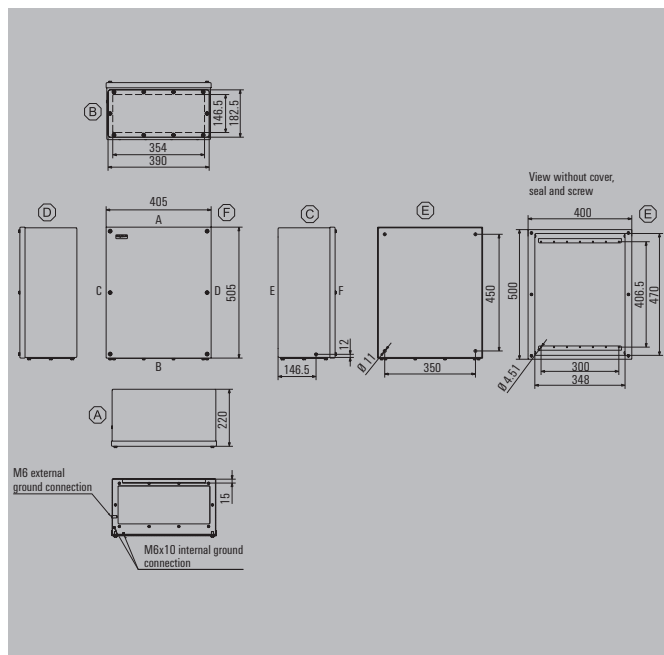
Stainless steel 1.4301 304, electropolished	Order No.
0 gland plate	1197320000
1 gland plate - bottom side (B)	1197330000

Note

Accessories

Mounting plates and fastening screws	Order No.
Steel sheet, zinc plated	1310440000
Stainless steel 1.4301	1310350000
Fastening screws for terminal rails	1274150000
Stainless steel spacer M6 x 8, Set of 4	
10 mm length	0935110000
15 mm length	0935120000
20 mm length	0935130000
30 mm length	0935140000
Mild steel nickel plated Spacer M6 x 8, set of 2	
15 mm length	3896100000
20 mm length	3896200000
30 mm length	3896300000
Mounting feet, set containing 4 pieces each	
Stainless steel 1.4301	1289180000

Note



Max. number of terminals (industry)

Max. number of terminals (industry)	vertical	horizontal
2.5 mm ²	4x75	6x56
4 mm ²	4x63	6x47
6 mm ²	4x47	6x35
10 mm ²	4x38	6x28
16 mm ²	4x32	6x23
35 mm ²	4x24	6x18



Note The assembly with modular terminals gives consideration to a distance of 10 mm from the end of each mounting rail.
 Order recommendations:
 TS 35 mounting rail (screw terminal) WDU 2.5 1020000000 / (tension clamp terminal) ZDU 2.5 1608510000 / (tension clamp terminal) PDU 2.5 1896110000
 TS 32 mounting rail (screw terminal) SAK 2.5 0279660000
 TS 15 mounting rail (screw terminal) AKZ 2.5 0697160000

Number of cable entries

Number of cable entries	A / B	C / D
M12	53	
M16	36	
M20	30	
M25	20	
M32	11	
M40	9	
M50	4	
M63	3	
M75	3	

Note Our IP 68 brass cable glands are used as the reference for these guideline values.



Height/Width/Depth 500 / 500 / 220 mm

Ordering data

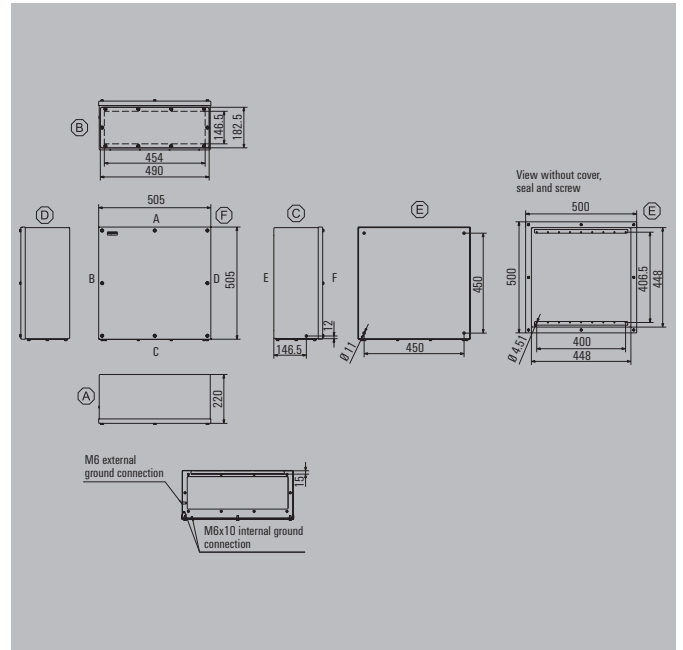
Stainless steel 1.4301 304, electropolished	Order No.
0 gland plate	1197340000
1 gland plate - bottom side (B)	1197350000

Note

Accessories

Mounting plates and fastening screws	Order No.
Steel sheet, zinc plated	1310450000
Stainless steel 1.4301	1310360000
Fastening screws for terminal rails	1274150000
Stainless steel spacer M6 x 8, Set of 4	
10 mm length	0935110000
15 mm length	0935120000
20 mm length	0935130000
30 mm length	0935140000
Mild steel nickel plated Spacer M6 x 8, set of 2	
15 mm length	3896100000
20 mm length	3896200000
30 mm length	3896300000
Mounting feet, set containing 4 pieces each	
Stainless steel 1.4301	1289180000

Note



Max. number of terminals (industry)

Max. number of terminals (industry)	vertical	horizontal
2.5 mm ²	6x75	6x75
4 mm ²	6x63	6x63
6 mm ²	6x47	6x47
10 mm ²	6x38	6x38
16 mm ²	6x32	6x32
35 mm ²	6x24	6x24



Note The assembly with modular terminals gives consideration to a distance of 10 mm from the end of each mounting rail.
 Order recommendations:
 TS 35 mounting rail (screw terminal) WDU 2.5 1020000000 / (tension clamp terminal) ZDU 2.5 1608510000 / (tension clamp terminal) PDU 2.5 1896110000
 TS 32 mounting rail (screw terminal) SAK 2.5 0279660000
 TS 15 mounting rail (screw terminal) AKZ 2.5 0697160000

Number of cable entries

Number of cable entries	A / B	C / D
M12	70	
M16	46	
M20	40	
M25	26	
M32	14	
M40	12	
M50	5	
M63	4	
M75	3	

Note Our IP 68 brass cable glands are used as the reference for these guideline values.



Height/Width/Depth 600 / 400 / 220 mm

Ordering data

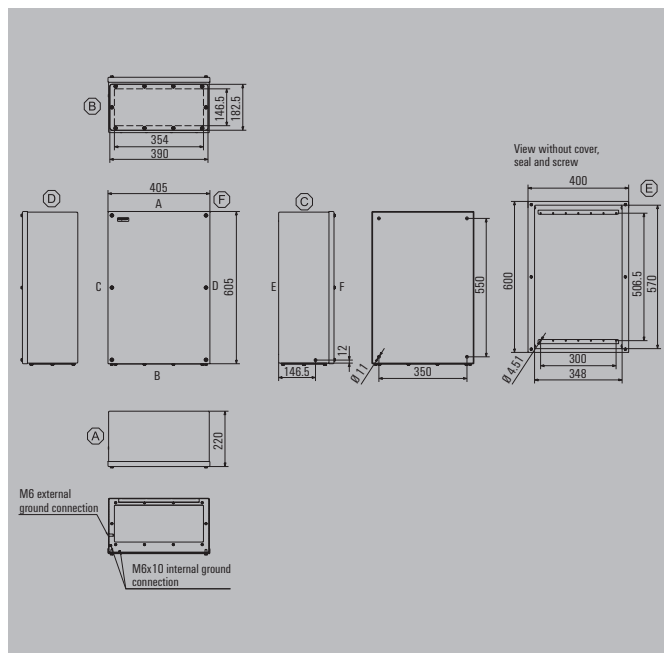
Stainless steel 1.4301 304, electropolished	Order No.
0 gland plate	1197360000
1 gland plate - bottom side (B)	1197370000

Note

Accessories

Mounting plates and fastening screws	Order No.
Steel sheet, zinc plated	1310460000
Stainless steel 1.4301	1310370000
Fastening screws for terminal rails	1274150000
Stainless steel spacer M6 x 8, Set of 4	
10 mm length	0935110000
15 mm length	0935120000
20 mm length	0935130000
30 mm length	0935140000
Mild steel nickel plated Spacer M6 x 8, set of 2	
15 mm length	3896100000
20 mm length	3896200000
30 mm length	3896300000
Mounting feet, set containing 4 pieces each	
Stainless steel 1.4301	1289180000

Note



Max. number of terminals (industry)

Max. number of terminals (industry)	vertical	horizontal
2.5 mm ²	4x94	8x56
4 mm ²	4x79	8x47
6 mm ²	4x60	8x35
10 mm ²	4x48	8x28
16 mm ²	4x40	8x23
35 mm ²	4x30	8x18



Note

The assembly with modular terminals gives consideration to a distance of 10 mm from the end of each mounting rail.
 Order recommendations:
 TS 35 mounting rail (screw terminal) WDU 2.5 1020000000 / (tension clamp terminal) ZDU 2.5 1608510000 / (tension clamp terminal) PDU 2.5 1896110000
 TS 32 mounting rail (screw terminal) SAK 2.5 0279660000
 TS 15 mounting rail (screw terminal) AKZ 2.5 0697160000

Number of cable entries

Number of cable entries	A / B	C / D
M12	53	
M16	36	
M20	30	
M25	20	
M32	11	
M40	9	
M50	4	
M63	3	
M75	3	

Note

Our IP 68 brass cable glands are used as the reference for these guideline values.



Height/Width/Depth 600 / 600 / 220 mm

Ordering data

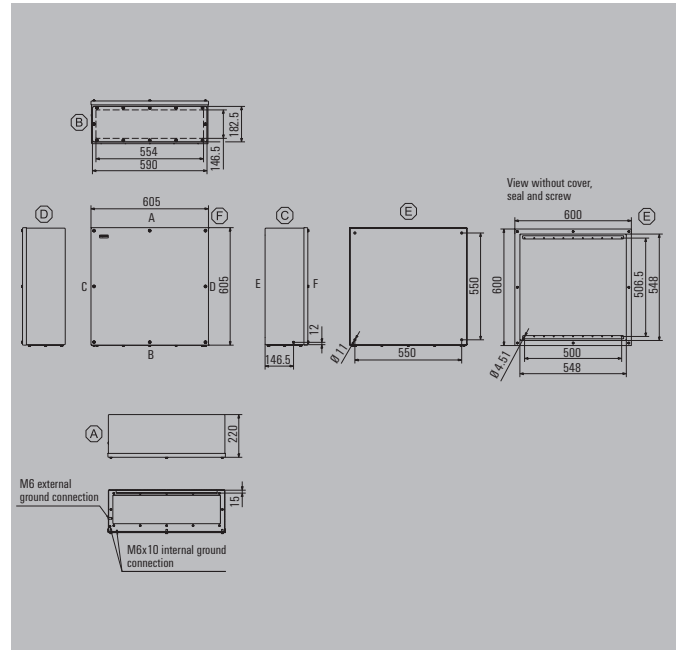
Stainless steel 1.4301 304, electropolished	Order No.
0 gland plate	1197380000
1 gland plate - bottom side (B)	1197390000

Note

Accessories

Mounting plates and fastening screws	Order No.
Steel sheet, zinc plated	1310470000
Stainless steel 1.4301	1310380000
Fastening screws for terminal rails	1274150000
Stainless steel spacer M6 x 8, Set of 4	
10 mm length	0935110000
15 mm length	0935120000
20 mm length	0935130000
30 mm length	0935140000
Mild steel nickel plated Spacer M6 x 8, set of 2	
15 mm length	3896100000
20 mm length	3896200000
30 mm length	3896300000
Mounting feet, set containing 4 pieces each	
Stainless steel 1.4301	1289180000

Note



Max. number of terminals (industry)

Max. number of terminals (industry)	vertical	horizontal
2.5 mm ²	8x94	8x94
4 mm ²	8x79	8x79
6 mm ²	8x60	8x60
10 mm ²	8x48	8x48
16 mm ²	8x40	8x40
35 mm ²	8x30	8x30



Note

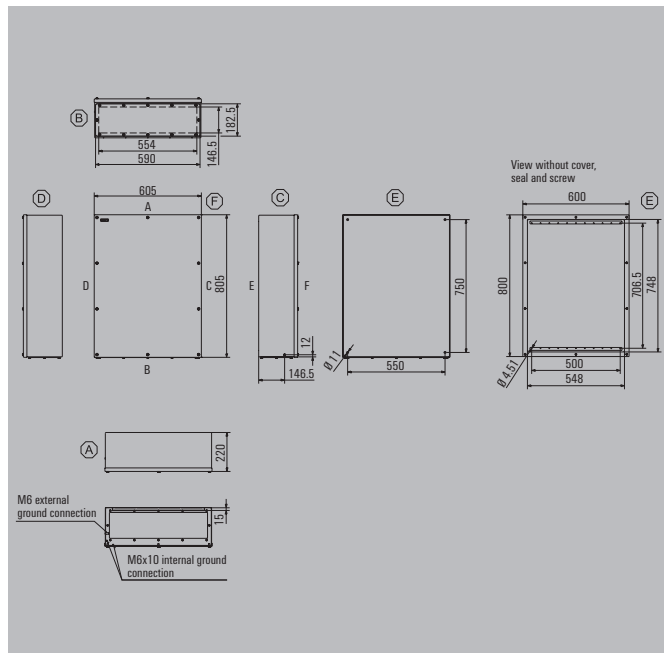
The assembly with modular terminals gives consideration to a distance of 10 mm from the end of each mounting rail.
 Order recommendations:
 TS 35 mounting rail (screw terminal) WDU 2.5 1020000000 / (tension clamp terminal) ZDU 2.5 1608510000 / (tension clamp terminal) PDU 2.5 1896110000
 TS 32 mounting rail (screw terminal) SAK 2.5 0279660000
 TS 15 mounting rail (screw terminal) AKZ 2.5 0697160000

Number of cable entries

Number of cable entries	A / B	C / D
M12	85	
M16	58	
M20	50	
M25	32	
M32	17	
M40	14	
M50	6	
M63	5	
M75	4	

Note

Our IP 68 brass cable glands are used as the reference for these guideline values.



Height/Width/Depth 800 / 600 / 220 mm

Ordering data

Stainless steel 1.4301 304, electropolished	Order No.
0 gland plate	1197400000
1 gland plate - bottom side (B)	1197410000

Note

Accessories

Mounting plates and fastening screws	Order No.
Steel sheet, zinc plated	1310480000
Stainless steel 1.4301	1310390000
Fastening screws for terminal rails	1274150000
Stainless steel spacer M6 x 8, Set of 4	
10 mm length	0935110000
15 mm length	0935120000
20 mm length	0935130000
30 mm length	0935140000
Mild steel nickel plated Spacer M6 x 8, set of 2	
15 mm length	3896100000
20 mm length	3896200000
30 mm length	3896300000
Mounting feet, set containing 4 pieces each	
Stainless steel 1.4301	1289180000

Note

Max. number of terminals (industry)

Max. number of terminals (industry)	vertical	horizontal
2.5 mm ²	8x133	11x94
4 mm ²	8x111	11x79
6 mm ²	8x84	11x60
10 mm ²	8x67	11x48
16 mm ²	8x56	11x40
35 mm ²	8x42	11x30



Note The assembly with modular terminals gives consideration to a distance of 10 mm from the end of each mounting rail.
 Order recommendations:
 TS 35 mounting rail (screw terminal) WDU 2.5 1020000000 / (tension clamp terminal) ZDU 2.5 1608510000 / (tension clamp terminal) PDU 2.5 1896110000
 TS 32 mounting rail (screw terminal) SAK 2.5 0279660000
 TS 15 mounting rail (screw terminal) AKZ 2.5 0697160000

Number of cable entries

Number of cable entries	A / B	C / D
M12	85	
M16	58	
M20	50	
M25	32	
M32	17	
M40	14	
M50	6	
M63	5	
M75	4	

Note Our IP 68 brass cable glands are used as the reference for these guideline values.

Klippon® STB – Small Terminal Box

Steel enclosures

Ideally suited for the energy and process industry and transportation, the Klippon® STB range is the perfect complement to our existing Klippon® enclosure product line. Enclosures of this range comply with international standards such as EN 62208 and EN 60079-0/7 (ATEX).

Some of the many advantages of these cases are:

- Available in stainless steel or in steel sheet
- Higher temperature resistant seals than the standard (extended temperature range of -60 °C to +100 °C / 120 °C, on request)
- Flexible options when mounting the internal rail
- The gasket is protected against compression; this ensures that a permanent and secure seal is maintained.
- Earth studs in the lid and in the enclosure base
- Lasered welding seams offer improved quality
- Delivered with welded mounting feet to ensure an sturdy enclosure installation

Weidmüller can manufacture and supply this enclosure to match customer specifications and fitted with all necessary terminals and cable glands.



Overview of enclosures

Ordering data

Description	Dimensions in mm	Mirror-polish	Electropolished	Powder-coated (RAL7032)
Klippon® STB 1	120 x 120 x 80	1002690000	1058810000	1024970000
Klippon® STB 1.1	150 x 120 x 80	1002750000	1058820000	1024980000
Klippon® STB 2	150 x 150 x 90	1002740000	1058830000	1024990000
Klippon® STB 2.1	190 x 150 x 90	1002730000	1058840000	1025010000
Klippon® STB 3	190 x 190 x 100	1002720000	1058850000	1025020000
Klippon® STB 4	250 x 250 x 120	1002710000	1058860000	1025030000
Klippon® STB 5	160 x 380 x 120	1002700000	1058880000	1025040000
Klippon® STB 6	250 x 400 x 130	1002760000	1058870000	1025050000

Note

Technical Overview

Features

- Mirror-polished or electropolished stainless steel 1.4404 (316L) or powder coated steel sheet 1.0330
- Fitted with a welded, internal C-profile rail (TAS 20) and mounting feet
- Laser cut weld seams
- Approved according to the latest international norms (e.g. ATEX, cULus, GOST)

Note We deliver enclosures through our assembly service which are ready to be connected and suitable for every application

Technical data

	Stainless steel	Sheet steel
Enclosure material	Stainless steel 1.4404 (316L) 1.50 mm	Steel sheet 1.0330 1.50 mm
Surface finish	Mirror-polished, electropolished	Powder-coated RAL 7032
IP protection class	IP 66	IP 66
NEMA Rating	4, 4x	
Earthing	Enclosure base part: internal / external M6 stainless steel Lid: M6 x 12 stainless steel	Enclosure base part: internal / external M6 stainless steel Lid: M6 x 12 stainless steel
Installation mounting	Welded C-profile rail	Welded C-profile rail
Enclosure attachment	2 external mounting feet with 8 mm holes	2 external mounting feet with 8 mm holes
Lid opening	Completely removable lid with 4 x M5 screws	Completely removable lid with 4 x M5 screws
Impact resistance	7J ATEX	10J industrial version
Gasket material	Silicone -60 °C...+100 °C (120 °C on request)	Silicone -60 °C...+120 °C
Lid screws, torque*	2.5 Nm	2.5 Nm

The gasket is protected against compression in line with the manufacturer's recommendation

Note * To secure the lid, please use our hexagonal socket wrench with a 10 mm socket (9009070000)

Approvals for empty enclosures

	Stainless steel	Sheet steel
ATEX / IECEx certificate	IBExU 07ATEX1147 U / IECEx IBE09.0018U	
ATEX / IECEx marking	⊕ II 2 G Ex e II C Gb ⊕ II 2 D Ex tb IIIC Db IP66	
cULus	E 197061	
Lloyds Register	08/20032	08/20032
Germanischer Lloyd	5935808 HH	
GOST	POCC DE.ME25.B01450	

The Klippon® STB enclosure range can be pre-fitted in our customer specific production department according to your wishes; as an example, terminals, or other approved components, can be installed as required.

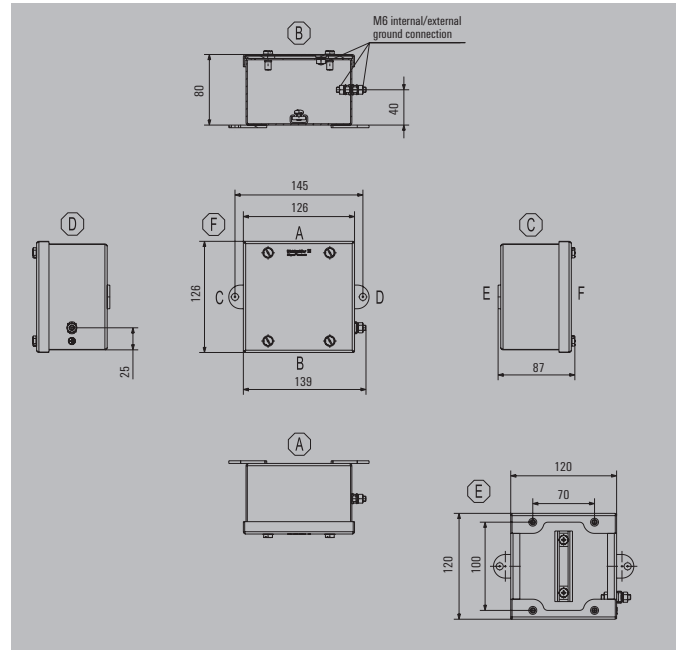
Note This enclosure range is component certified. If other electrical components are inserted into the case, additional certification is required.

Approvals for control and distribution box

	Stainless steel	Sheet steel
ATEX / IECEx certificate	IBExU 07ATEX1148 / IECEx IBE09.0019	*
ATEX / IECEx marking	⊕ II 2 G Ex e IIC Gb Tx, ⊕ II 2 D Ex tb IIIC Db IP6x Txxxx °C ⊕ I II 1 G Ex ia IIC Ga Tx, ⊕ II 1 D Ex tb IIIC Db IP6x Txxx °C ⊕ II 2 G Ex e IIC Gb Tx, ⊕ II 2 D Ex tb IIIC Db IP6x Txxx °C	

Note If you have specific requirements for equipment operating in explosive hazard areas, please contact us at Weidmüller to receive a full copy of the certification

* The Klippon® STB steel version is not Ex certified



Height/Width/Depth 120 / 120 / 80 mm

Ordering data

Stainless steel 1.4404 (316L)	Order No.
Polished Sheet	1002690000
Electropolished	1058810000
Sheet steel, powder-coated (RAL 7032)	Order No.
Powder-coated paint	1024970000

Note The colours of painted enclosures may vary under certain circumstances.

Accessories

Sliding fixing nut with screw	Order No.
M5	0433500000
Socket wrench	Order No.
M10 socket wrench	9009070000

Max. number of terminals (industry)

Assembly with terminal	vertical	horizontal
	2.5 mm ²	1x17
	4 mm ²	1x14
	6 mm ²	1x11
	10 mm ²	1x8
	16 mm ²	1x7



Note The mounting rails are designed to be installed directly. Assembly with terminals provides for 10 mm clearance to the ends of the mounting rail. Recommended order: TS 35 mounting rail (screw terminal) WDU 2.5 1020000000 / (tension clamp terminal) ZDU 2.5 1608510000 TS 32 mounting rail (screw terminal) SAK 2.5 0279660000 TS 15 mounting rail (screw terminal) AKZ 2.5 0697160000

Number of cable entries

Number of cable entries	A / B	C / D
M12	10	8
M16	6	4
M20	6	4
M25	3	2
M32	2	1
M40	2	1
M50		
M63		

Note



Note The enclosure is supplied with a set of sliding fixing nuts, washer, screws M5, to fix the mounting rail TS 35 or TS 32 into the C-Profile.

Klippon® STB 1.1

Depth **80 mm**



Height/Width/Depth 150 / 120 / 80 mm

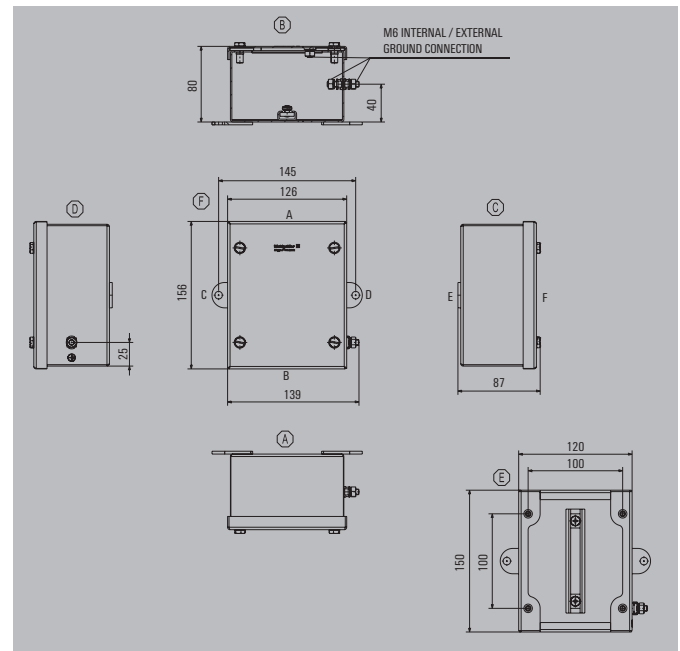
Ordering data

Stainless steel 1.4404 (316L)		Order No.
	Polished Sheet	1002750000
	Electropolished	1058820000
Sheet steel, powder-coated (RAL 7032)		
	Powder-coated paint	1024980000
Note	The colours of painted enclosures may vary under certain circumstances.	

Accessories

Sliding fixing nut with screw		Order No.
	M5	0433500000
Socket wrench		
	M10 socket wrench	9009070000

Note The enclosure is supplied with a set of sliding fixing nuts, washer, screws M5, to fix the mounting rail TS 35 or TS 32 into the C-Profile.



Max. number of terminals (industry)

Assembly with terminal	vertical	horizontal
	2.5 mm ²	1x23
	4 mm ²	1x19
	6 mm ²	1x14
	10 mm ²	1x11
	16 mm ²	1x9



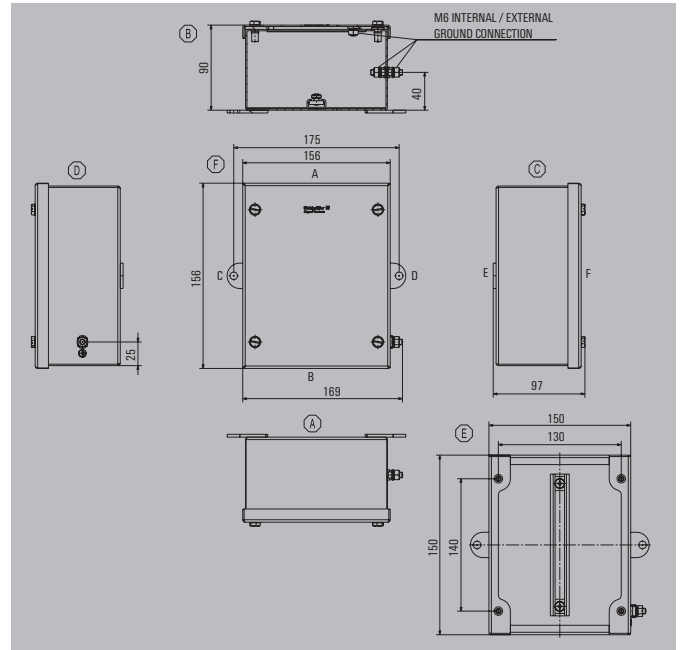
Note The mounting rails are designed to be installed directly. Assembly with terminals provides for 10 mm clearance to the ends of the mounting rail. Recommended order: TS 35 mounting rail (screw terminal) WDU 2.5 1020000000 / (tension clamp terminal) ZDU 2.5 1608510000 TS 32 mounting rail (screw terminal) SAK 2.5 0279660000 TS 15 mounting rail (screw terminal) AKZ 2.5 0697160000

Number of cable entries

Number of cable entries	A / B	C / D
	M12	10
	M16	6
	M20	6
	M25	3
	M32	2
	M40	2
	M50	1
	M63	



Note



Height/Width/Depth 150 / 150 / 90 mm

Ordering data

Stainless steel 1.4404 (316L)		Order No.
	Polished Sheet	1002740000
	Electropolished	1058830000
Sheet steel, powder-coated (RAL 7032)		
	Powder-coated paint	1024990000
Note	The colours of painted enclosures may vary under certain circumstances.	

Accessories

Sliding fixing nut with screw		Order No.
	M5	0433500000
Socket wrench		
	M10 socket wrench	9009070000

Max. number of terminals (industry)

Assembly with terminal	vertical	horizontal
	2.5 mm ²	1x23
	4 mm ²	1x19
	6 mm ²	1x14
	10 mm ²	1x11
	16 mm ²	1x9



Note The mounting rails are designed to be installed directly. Assembly with terminals provides for 10 mm clearance to the ends of the mounting rail. Recommended order: TS 35 mounting rail (screw terminal) WDU 2.5 1020000000 / (tension clamp terminal) ZDU 2.5 1608510000 TS 32 mounting rail (screw terminal) SAK 2.5 0279660000 TS 15 mounting rail (screw terminal) AKZ 2.5 0697160000

Number of cable entries

Number of cable entries	A / B	C / D
M12	15	15
M16	10	8
M20	8	6
M25	3	2
M32	3	2
M40	2	2
M50	1	1
M63		

Note



Note The enclosure is supplied with a set of sliding fixing nuts, washer, screws M5, to fix the mounting rail TS 35 or TS 32 into the C-Profile.

Klippon® STB 2.1

Depth **90 mm**



Height/Width/Depth 190 / 150 / 90 mm

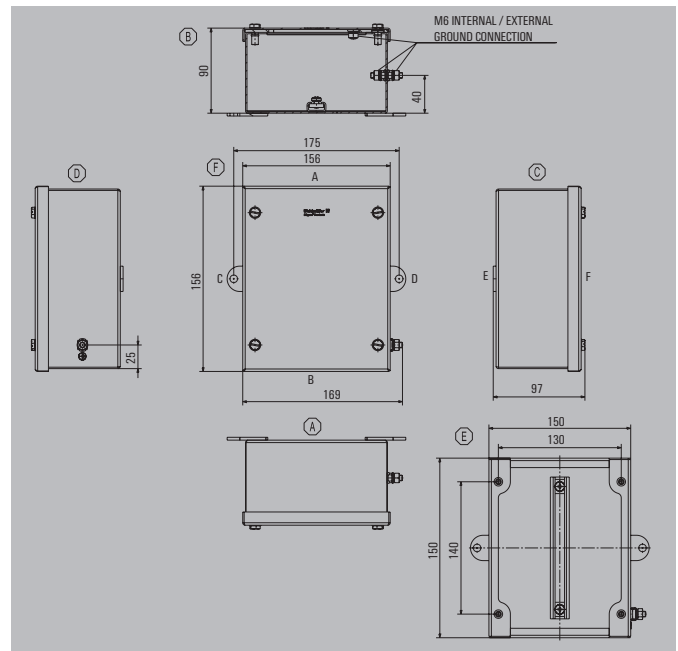
Ordering data

Stainless steel 1.4404 (316L)		Order No.
	Polished Sheet	1002730000
	Electropolished	1058840000
Sheet steel, powder-coated (RAL 7032)		
	Powder-coated paint	1025010000
Note	The colours of painted enclosures may vary under certain circumstances.	

Accessories

Sliding fixing nut with screw		Order No.
	M5	0433500000
Socket wrench		
	M10 socket wrench	9009070000

Note The enclosure is supplied with a set of sliding fixing nuts, washer, screws M5, to fix the mounting rail TS 35 or TS 32 into the C-Profile.



Max. number of terminals (industry)

Assembly with terminal	vertical	horizontal
	2.5 mm ²	1x30
	4 mm ²	1x25
	6 mm ²	1x20
	10 mm ²	1x15
	16 mm ²	1x13



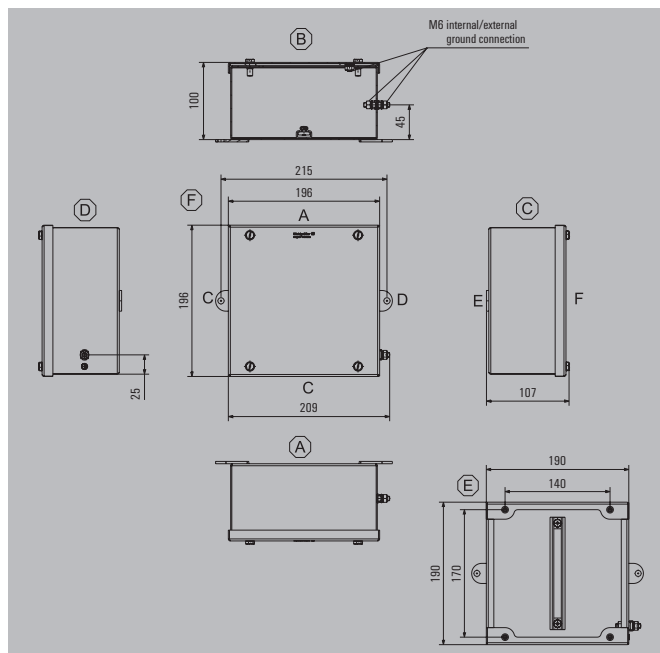
Note The mounting rails are designed to be installed directly. Assembly with terminals provides for 10 mm clearance to the ends of the mounting rail. Recommended order: TS 35 mounting rail (screw terminal) WDU 2.5 1020000000 / (tension clamp terminal) ZDU 2.5 1608510000 TS 32 mounting rail (screw terminal) SAK 2.5 0279660000 TS 15 mounting rail (screw terminal) AKZ 2.5 0697160000

Number of cable entries

Number of cable entries	A / B	C / D
	M12	15
	M16	10
	M20	8
	M25	3
	M32	3
	M40	2
	M50	1
	M63	

Note





Height/Width/Depth 190 / 190 / 100 mm

Ordering data

Stainless steel 1.4404 (316L)		Order No.
	Polished Sheet	1002720000
	Electropolished	1058850000
Sheet steel, powder-coated (RAL 7032)		
	Powder-coated paint	1025020000
Note	The colours of painted enclosures may vary under certain circumstances.	

Accessories

Sliding fixing nut with screw		Order No.
	M5	0433500000
Socket wrench		
	M10 socket wrench	9009070000

Max. number of terminals (industry)

Assembly with terminal	vertical	horizontal
	2.5 mm ²	1x30
	4 mm ²	1x25
	6 mm ²	1x20
	10 mm ²	1x15
	16 mm ²	1x13



Note The mounting rails are designed to be installed directly. Assembly with terminals provides for 10 mm clearance to the ends of the mounting rail. Recommended order: TS 35 mounting rail (screw terminal) WDU 2.5 1020000000 / (tension clamp terminal) ZDU 2.5 1608510000 TS 32 mounting rail (screw terminal) SAK 2.5 0279660000 TS 15 mounting rail (screw terminal) AKZ 2.5 0697160000

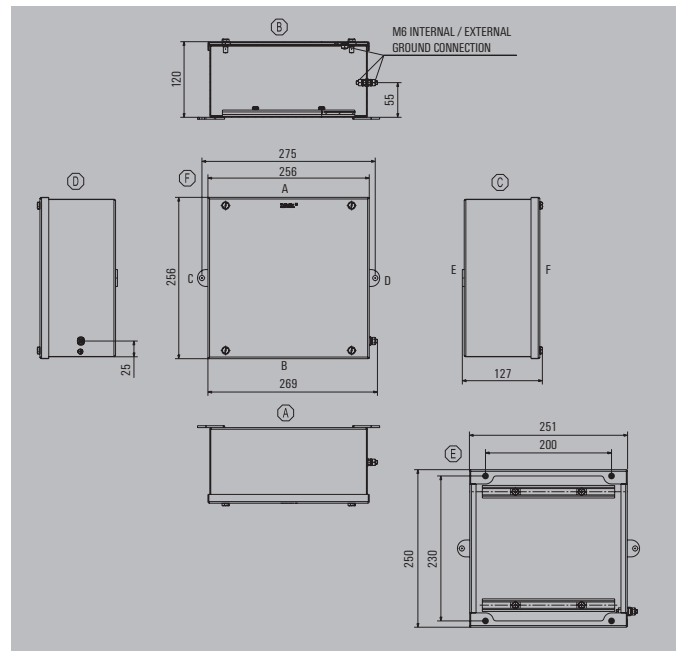
Number of cable entries

Number of cable entries	A / B	C / D
	M12	21
	M16	15
	M20	10
	M25	8
	M32	3
	M40	3
	M50	2
	M63	1



Note

Note The enclosure is supplied with a set of sliding fixing nuts, washer, screws M5, to fix the mounting rail TS 35 or TS 32 into the C-Profile.



Height/Width/Depth 250 / 250 / 120 mm

Ordering data

Stainless steel 1.4404 (316L)		Order No.
	Polished Sheet	1002710000
	Electropolished	1058860000
Sheet steel, powder-coated (RAL 7032)		
	Powder-coated paint	1025030000
Note	The colours of painted enclosures may vary under certain circumstances.	

Accessories

Sliding fixing nut with screw		Order No.
	M5	0433500000
Socket wrench		
	M10 socket wrench	9009070000

Max. number of terminals (industry)

Assembly with terminal	vertical	horizontal
	2.5 mm ²	2x42
	4 mm ²	2x35
	6 mm ²	2x27
	10 mm ²	2x22
	16 mm ²	2x18



Note The mounting rails are designed to be installed directly. Assembly with terminals provides for 10 mm clearance to the ends of the mounting rail. Recommended order: TS 35 mounting rail (screw terminal) WDU 2.5 1020000000 / (tension clamp terminal) ZDU 2.5 1608510000 TS 32 mounting rail (screw terminal) SAK 2.5 0279660000 TS 15 mounting rail (screw terminal) AKZ 2.5 0697160000

Number of cable entries

Number of cable entries	A / B	C / D
	M12	24
	M16	21
	M20	12
	M25	10
	M32	8
	M40	3
	M50	3
	M63	2

Note



Note The enclosure is supplied with a set of sliding fixing nuts, washer, screws M5, to fix the mounting rail TS 35 or TS 32 into the C-Profile.



Height/Width/Depth 160 / 380 / 120 mm

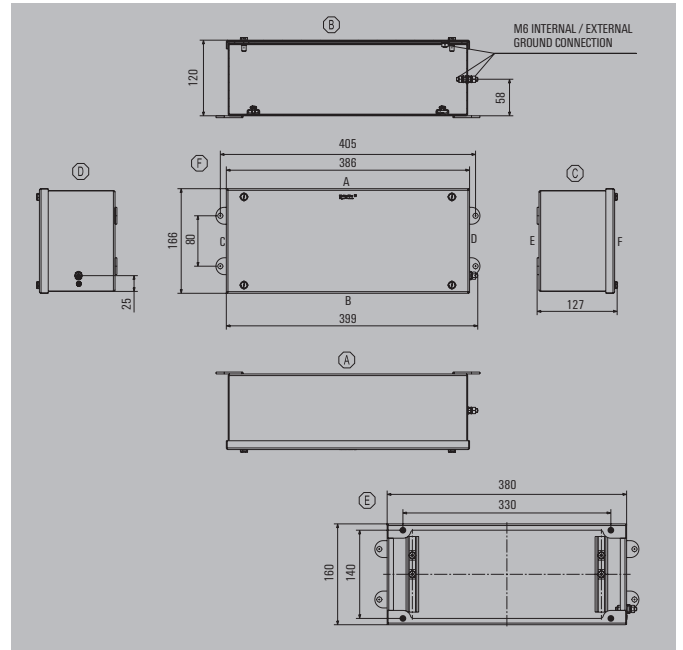
Ordering data

Stainless steel 1.4404 (316L)		Order No.
	Polished Sheet	1002700000
	Electropolished	1058880000
Sheet steel, powder-coated (RAL 7032)		
	Powder-coated paint	1025040000
Note	The colours of painted enclosures may vary under certain circumstances.	

Accessories

Sliding fixing nut with screw		Order No.
	M5	0433500000
Socket wrench		
	M10 socket wrench	9009070000

Note The enclosure is supplied with a set of sliding fixing nuts, washer, screws M5, to fix the mounting rail TS 35 or TS 32 into the C-Profile.



Max. number of terminals (industry)

Assembly with terminal	vertical	horizontal	
	2.5 mm ²	3x25	1x68
	4 mm ²	3x21	1x57
	6 mm ²	3x16	1x44
	10 mm ²	3x12	1x35
	16 mm ²	3x10	1x29



Note The mounting rails are designed to be installed directly. Assembly with terminals provides for 10 mm clearance to the ends of the mounting rail. Recommended order: TS 35 mounting rail (screw terminal) WDU 2.5 1020000000 / (tension clamp terminal) ZDU 2.5 1608510000 TS 32 mounting rail (screw terminal) SAK 2.5 0279660000 TS 15 mounting rail (screw terminal) AKZ 2.5 0697160000

Number of cable entries

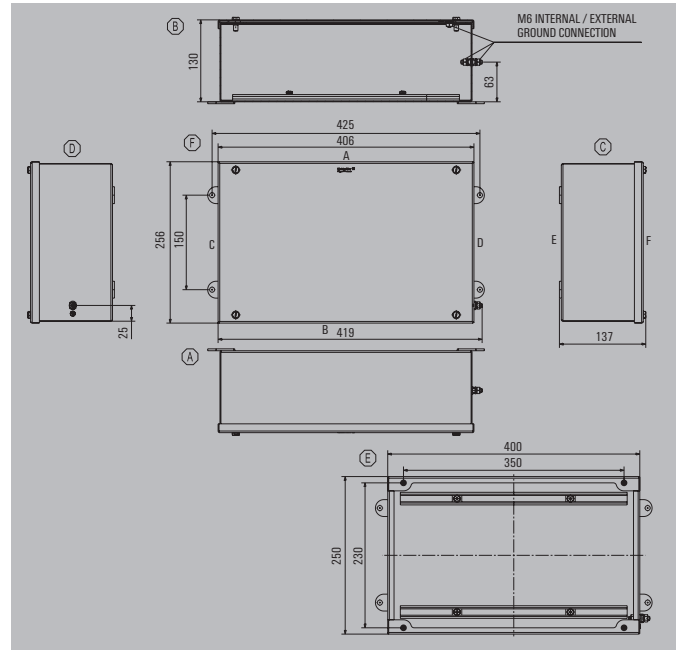
Number of cable entries	A / B	C / D
M12	64	20
M16	33	12
M20	30	12
M25	16	6
M32	10	4
M40	6	2
M50	4	1
M63	2	1

Note



Klippon® STB 6

Depth 130 mm



Height/Width/Depth 250 / 400 / 130 mm

Ordering data

Stainless steel 1.4404 (316L)		Order No.
	Polished Sheet	1002760000
	Electropolished	1058870000
Sheet steel, powder-coated (RAL 7032)		
	Powder-coated paint	1025050000
Note	The colours of painted enclosures may vary under certain circumstances.	

Accessories

Sliding fixing nut with screw		Order No.
	M5	0433500000
Socket wrench		
	M10 socket wrench	9009070000

Max. number of terminals (industry)

Assembly with terminal	vertical	horizontal
	2.5 mm ²	3x42
	4 mm ²	3x35
	6 mm ²	3x27
	10 mm ²	3x22
	16 mm ²	3x18



Note The mounting rails are designed to be installed directly. Assembly with terminals provides for 10 mm clearance to the ends of the mounting rail. Recommended order: TS 35 mounting rail (screw terminal) WDU 2.5 1020000000 / (tension clamp terminal) ZDU 2.5 1608510000 TS 32 mounting rail (screw terminal) SAK 2.5 0279660000 TS 15 mounting rail (screw terminal) AKZ 2.5 0697160000

Number of cable entries

Number of cable entries	A / B	C / D
	M12	64
	M16	33
	M20	30
	M25	16
	M32	10
	M40	6
	M50	4
	M63	2

Note



Note The enclosure is supplied with a set of sliding fixing nuts, washer, screws M5, to fix the mounting rail TS 35 or TS 32 into the C-Profile.

Klippon® K – Aluminium enclosures

Klippon® K range enclosures can be used in a variety of applications, e.g. for mounting terminals, switches, power supplies, operational and display elements or electronic modules.

The extensive Klippon® K enclosure range has the following advantages:

- More flexibility – 19 different sizes
- Available in two surface finishes – powder-coated and natural
- Mounting holes not within the sealed area
- Fastening thread to attach mounting rails and plates
- Closed moulded gasket (no glue seam)

Weidmüller can manufacture and supply this enclosure to match customer specifications and fitted with all necessary terminals and cable glands.



Overview of enclosures

Ordering data

Description	Dimensions in mm	Powder-coated (RAL 7001)		Unpainted		
		Standard		Standard		Ex enclosure
		CR moulded seal	Silicone moulded seal*	CR moulded seal	Silicone moulded seal*	Silicone moulded seal
Klippon® K 0	45 x 50 x 30	9529090000	1937920000	0573200000	1939760000	
Klippon® K 01	64 x 58 x 34	9529100000	1937850000	1565240000	1939540000	
Klippon® K 02	64 x 98 x 34	9529110000	1937840000	1565250000	1939550000	
Klippon® K 1	70 x 70 x 45	9529120000	1937630000	0342000000	1939560000	9526840000
Klippon® K 11	80 x 75 x 57	9529130000	1937910000	0573300000	1939570000	9526850000
Klippon® K 2	70 x 100 x 45	9529140000	1937930000	0342100000	1939580000	9526860000
Klippon® K 21	80 x 125 x 57	9529150000	1937830000	0573400000	1939590000	9526870000
Klippon® K 3	70 x 165 x 45	9529160000	1937900000	0342200000	1939600000	9526880000
Klippon® K 31	80 x 175 x 57	9529170000	1937820000	0573500000	1939610000	9526890000
Klippon® K 32	80 x 250 x 55	9529180000	1937810000	1565260000	1939620000	9526900000
Klippon® K 4	82 x 130 x 72	9529190000	1937890000	0342300000	1939630000	9526910000
Klippon® K 41	120 x 122 x 81	9529200000	1937800000	1565270000	1939640000	9526920000
Klippon® K 5	130 x 170 x 90	9529210000	1937860000	0342400000	1939650000	9526930000
Klippon® K 51	120 x 220 x 81	9529220000	1937750000	1565280000	1939660000	9526940000
Klippon® K 52	160 x 160 x 91	9529230000	1937740000	1565290000	1939670000	9526950000
Klippon® K 6	160 x 200 x 100	9529240000	1937870000	0342500000	1939690000	9526960000
Klippon® K 61	160 x 260 x 91	9529250000	1937730000	0573600000	1939700000	9526970000
Klippon® K 7	160 x 350 x 100	9529260000	1937880000	0342600000	1939710000	9526980000
Klippon® K 71	230 x 280 x 111	9529270000	1937720000	0573700000	1939730000	9526990000

Note *Delivery time on request

Technical Overview

Features

- Two surfaces: natural and powder-coated
- High IP protection up to IP 68
- Moulded silicone gasket for applications with high temperatures
- A uniform Torx®-slotted screw head is used for over 19 different enclosure sizes.
- Alloy is resistant to salt water
- Approved according to the latest international standards (e.g. ATEX, cULus, GOST)

Note We deliver enclosures through our assembly service which are ready to be connected and suitable for every application

Technical data

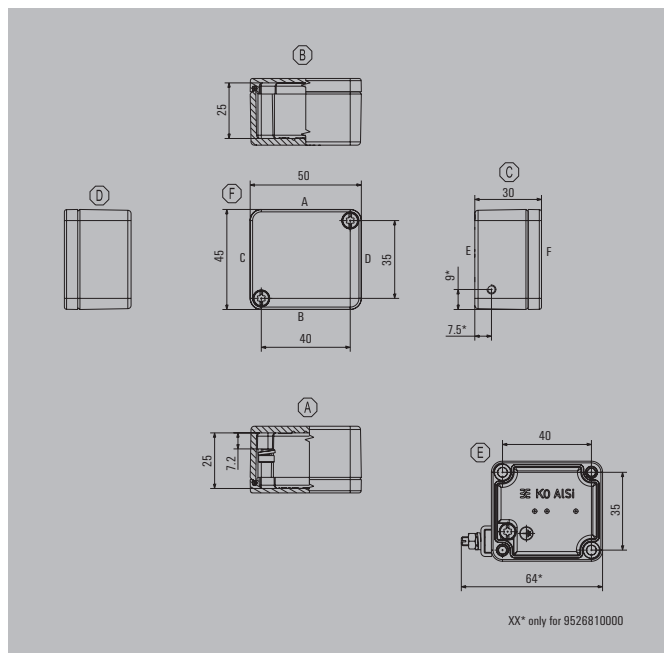
	Ex	Standard
Enclosure material	High quality aluminium alloy (Al-Si12)	High quality aluminium alloy (Al-Si12)
Surface, untreated	Smooth	Smooth
Surface, painted		Silver grey, textured, similar to RAL 7001
Painting		40 µm paint thickness
IP protection class	IP 66, IP 67	IP 66, IP 67 and IP 68*
NEMA		4, 4x
Earthing outside	Earthing studs, M4	
Installation mounting	Flexible DIN rail mounting	Flexible DIN rail mounting
Enclosure mounting	Direct mounting with optional mounting brackets (from a size of 120 x 122 x 81 Klippon® K 41)	Direct mounting with optional mounting brackets (from a size of 120 x 122 x 81 Klippon® K 41)
Lid fixing	Captive stainless steel Torx® 20 or slotted screws.	Captive stainless steel Torx® 20 or slotted screws.
Impact resistance	7J	10J
Gasket material	Silicone (VMQ)	Chloroprene / Silicone (VMQ)
Temperature range	-50 °C...+135 °C	-40 °C...+80 °C with chloroprene gasket / -50 °C...+135 °C with silicone gasket
Lid screws, torque**	2.5 Nm	2.5 Nm
Note	* (t=72h; h=1m) ** To secure the lid we recommend the use of our Torx® TH20 screwdriver (9009160000) Depending on the screw head size, our slotted screwdriver may also be used as an alternative	

Approvals for empty enclosures

	Ex	Standard
ATEX certificate	KEMA 02ATEX2088 U	
ATEX marking	II 2 G Ex e II IP66/IP67	
IECEx certificate	IECExIBE 13.0001 U	
IECEx marking	Ex e IIC Gb	
GOST Ex	POCC DE.ME92.B00362	
GOST	POCC DE.ME25.B01450	POCC DE.ME25.B01450
cULus		E 197061
Russian Maritime Register	11040200	11040200
Germanischer Lloyd	4453607 HH	4453607 HH
Installation	The Klippon® K enclosure range can be pre-fitted in our customer specific production department according to your wishes; as an example, terminals, or other approved components, can be installed as required.	
Note	This enclosure range is component certified. If other electrical components are inserted into the case, additional certification is required.	

Approvals for control and distribution box

	Ex	Standard
ATEX certificate	KEMA 00ATEX8501 X	
ATEX marking	⊕ II 2 GD Ex e II T6/T3 IP66/IP67 ⊕ II 2 (1) GD Ex e[ia] IIG T6/T3	
IECEx certificate	IECExIBE 13.0002	
IECEx marking	Ex e IIC T Gb Ex tb IIIC T °C Db	
Note	If you have specific requirements for equipment operating in explosive hazard areas, please contact us at Weidmüller to receive a full copy of the certification.	



Height/Width/Depth 45 / 50 / 30 mm



Ordering data

powder-coated (RAL 7001)		Order No.
	Standard (CR seal)	9529090000
	Standard (silicone seal)**	1937920000
unpainted		
	Standard (CR seal)	0573200000
Note	The colours of painted enclosures may vary under certain circumstances. **Delivery time available on request.	

Accessories






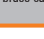


Torx® screwdriver		Order No.
	Uninsulated Torx® TH20	9009160000

Max. number of terminals (industry)

Assembly with terminal	vertical	horizontal
	2.5 mm² 1x1*	1x1*
	4 mm² 1x1*	1x1*
	6 mm²	
	10 mm²	
	16 mm²	

Note *Please refer to the Terminal Block catalogue or the SAK Range for more information about assembling the enclosures with terminal blocks. There are no prescribed possible attachment points in the enclosure.

Number of cable entries

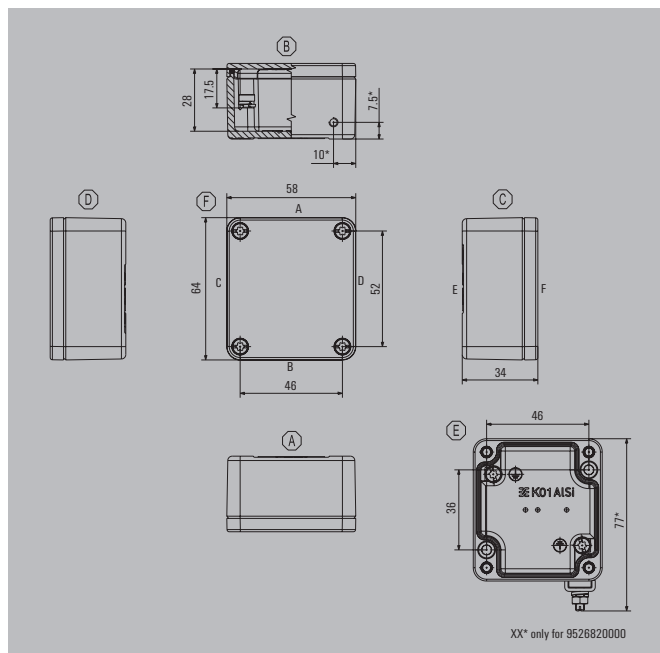
Number of cable entries	A / B	C / D
	M12 1	1
	M16 1	1
	M20	
	M25	
	M32	
	M40	
	M50	
	M63	

Note **Our IP 68 brass cable glands are used as the reference for these guideline values.

Note

Klippon® K 01

Depth **34 mm**



Height/Width/Depth 64 / 58 / 34 mm

Ordering data



powder-coated (RAL 7001)	Order No.
Standard (CR seal)	9529100000
Standard (silicone seal)**	1937850000
unpainted	Order No.
Standard (CR seal)	1565240000

Note The colours of painted enclosures may vary under certain circumstances. **Delivery time available on request.

Accessories






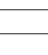
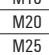

Torx® screwdriver	Order No.
Uninsulated Torx® TH20	9009160000

Max. number of terminals (industry)

Assembly with terminal	vertical	horizontal
	1x1*	1x1*
	1x1*	1x1*
	6 mm²	
	10 mm²	
	16 mm²	

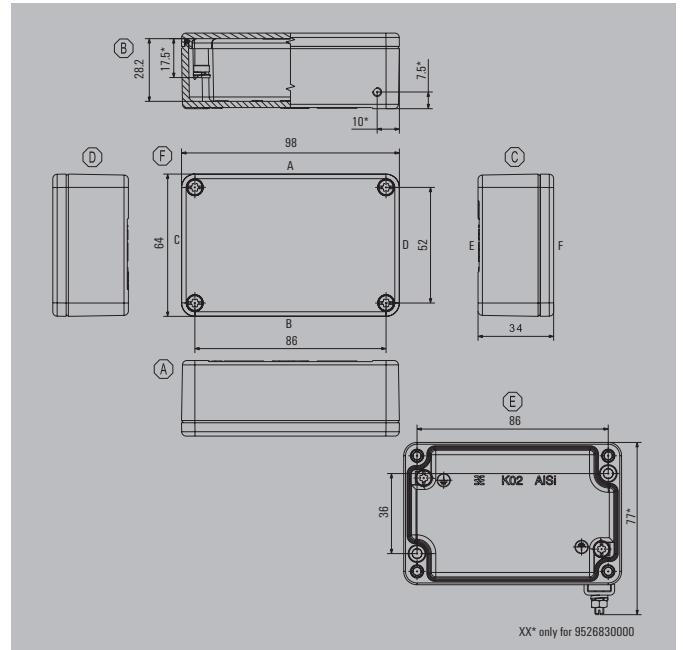
Note *Please refer to the Terminal Block catalogue or the SAK Range for more information about assembling the enclosures with terminal blocks. There are no prescribed possible attachment points in the enclosure.

Number of cable entries

Number of cable entries	A / B	C / D
	1	1
	1	1
		
		
		
		
		
		

Note **Our IP 68 brass cable glands are used as the reference for these guideline values.

Note



Height/Width/Depth 64 / 98 / 34 mm

Ordering data



powder-coated (RAL 7001)	Order No.
Standard (CR seal)	9529110000
Standard (silicone seal)**	1937840000
unpainted	Order No.
Standard (CR seal)	1565250000

Note The colours of painted enclosures may vary under certain circumstances. **Delivery time available on request.

Accessories






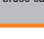


Torx® screwdriver	Order No.
Uninsulated Torx® TH20	9009160000

Max. number of terminals (industry)

Assembly with terminal	vertical	horizontal
	1x1*	1x1*
	1x1*	1x1*
	6 mm²	
	10 mm²	
	16 mm²	

Note *Please refer to the Terminal Block catalogue or the SAK Range for more information about assembling the enclosures with terminal blocks. There are no prescribed possible attachment points in the enclosure.

Number of cable entries

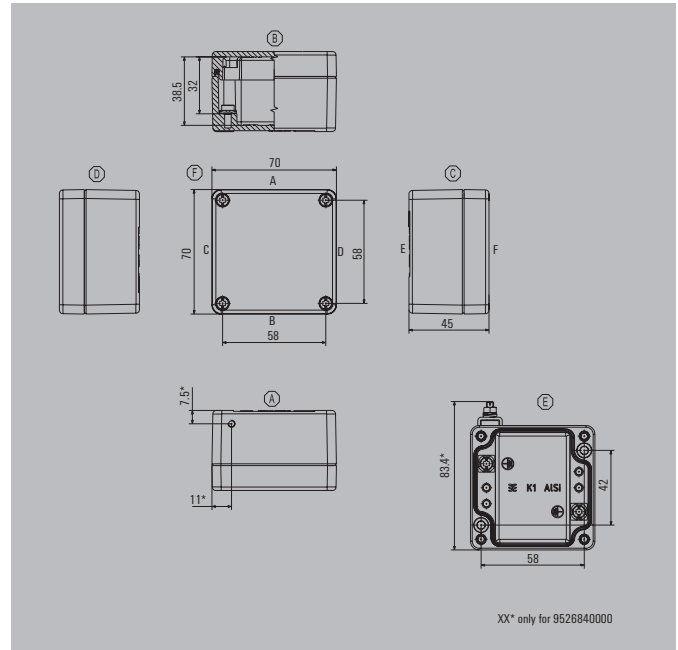
Number of cable entries	A / B	C / D
	3	1
	3	1
	2	
		
		
		
		
		

Note **Our IP 68 brass cable glands are used as the reference for these guideline values.

Note

Klippon® K 1

Depth **45 mm**



Height/Width/Depth 70 / 70 / 45 mm

Ordering data

powder-coated (RAL 7001)		Order No.
	Standard (CR seal)	9529120000
	Standard (silicone seal)**	1937630000
unpainted		
	Standard (CR seal)	0342000000
	Ex enclosure (silicone seal)	9526840000
Note	The colours of painted enclosures may vary under certain circumstances. **Delivery time available on request.	

Accessories

Terminal rail, Set		Order No.
	15 mm width	1909980000
Mounting plate		
	Steel sheet, zinc plated	1905280000
Torx® screwdriver		
	Uninsulated Torx® TH20	9009160000

Max. number of terminals (industry)

Assembly with terminal	vertical	horizontal
	2.5 mm ²	1x1*
	4 mm ²	1x1*
	6 mm ²	
	10 mm ²	
	16 mm ²	

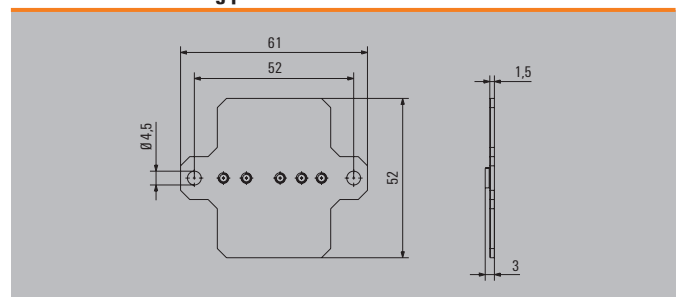
Note *Please refer to the Terminal Block Catalogue or the SAK Range for more information about populating the enclosures with terminal blocks. For vertical installations, we recommend using not more than one BK 4 or BK 4 CRN (0625120000). For horizontal installations with 2.5mm² 1x5 AKZ terminal blocks (only possible on a TS 15) for 4mm², use not more than one BK 4. There are no pre-defined mounting points set within this enclosure for installing internal equipment in a vertical position.

Number of cable entries

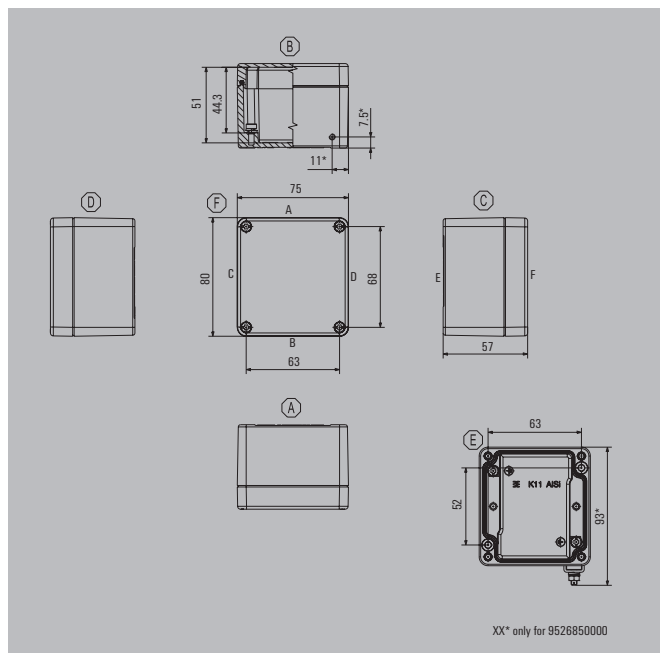
Number of cable entries	A / B	C / D
	M12	2
	M16	2
	M20	1
	M25	
	M32	
	M40	
	M50	
	M63	

Note **Our IP 68 brass cable glands are used as the reference for these guideline values.

Dimensions of mounting plate



Note The accessory sets contain the necessary mounting material.



Height/Width/Depth **80 / 75 / 57 mm**

Ordering data

powder-coated (RAL 7001)	Order No.
Standard (CR seal)	9529130000
Standard (silicone seal)**	1937910000
unpainted	Order No.
Standard (CR seal)	0573300000
Ex enclosure (silicone seal)	9526850000

Note The colours of painted enclosures may vary under certain circumstances. **Delivery time available on request.

Accessories

Terminal rail, Set	Order No.
15 mm width	1909990000
Mounting plate	Order No.
Steel sheet, zinc plated	3073000000
Hinge, diecast zinc, Set	Order No.
	1580360000
Torx® screwdriver	Order No.
Uninsulated Torx® TH20	9009160000

Note The accessory sets contain the necessary mounting material. Necessary on use of 1 hinge per longitudinal side.

Max. number of terminals (industry)

Assembly with terminal	vertical	horizontal
2.5 mm ²	1x1*	1x5
4 mm ²	1x1*	1x4
6 mm ²		
10 mm ²		
16 mm ²		



Note *Please refer to the Terminal Block Catalogue or the SAK Range for more information about populating the enclosures with terminal blocks. We recommend at most one BK 6 or BK 6 CRN (0625220000) in vertical installations. There are no pre-defined mounting points set within this enclosure for installing internal equipment in a vertical position.

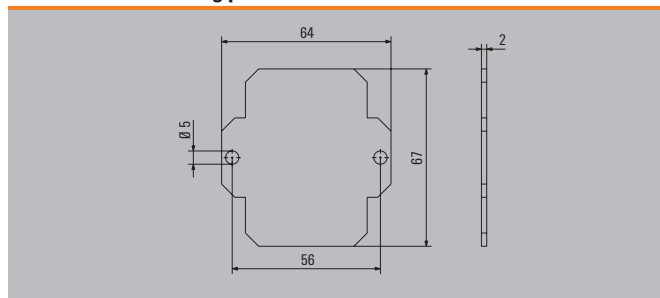
Number of cable entries

Number of cable entries	A / B	C / D
M12	2	2
M16	2	2
M20	1	1
M25	1	
M32		
M40		
M50		
M63		



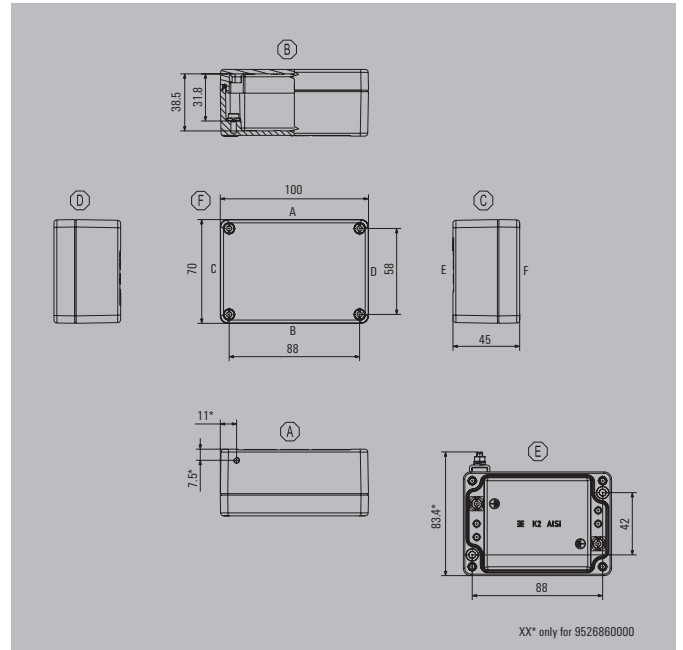
Note **Our IP 68 brass cable glands are used as the reference for these guideline values.

Dimensions of mounting plate



Klippon® K 2

Depth **45 mm**



Height/Width/Depth 70 / 100 / 45 mm

Ordering data

powder-coated (RAL 7001)	Order No.
Standard (CR seal)	9529140000
Standard (silicone seal)**	1937930000
unpainted	Order No.
Standard (CR seal)	0342100000
Ex enclosure (silicone seal)	9526860000

Note The colours of painted enclosures may vary under certain circumstances. **Delivery time available on request.

Accessories

Terminal rail, Set	Order No.
15 mm width	1910010000
Mounting plate	Order No.
Steel sheet, zinc plated	1905270000
Torx® screwdriver	Order No.
Uninsulated Torx® TH20	9009160000

Max. number of terminals (industry)

Assembly with terminal	vertical	horizontal
2.5 mm ²	*	1x10
4 mm ²	*	
6 mm ²		
10 mm ²		
16 mm ²		

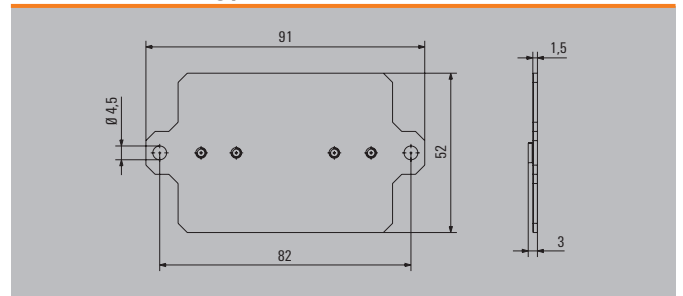
Note *Please refer to the Terminal Block Catalogue or the SAK Range for more information about populating the enclosures with terminal blocks. We recommend at most one BK 6 or BK 6 CRN (0625220000) for vertical installations. There are no pre-defined mounting points set within this enclosure for installing internal equipment in a vertical position.

Number of cable entries

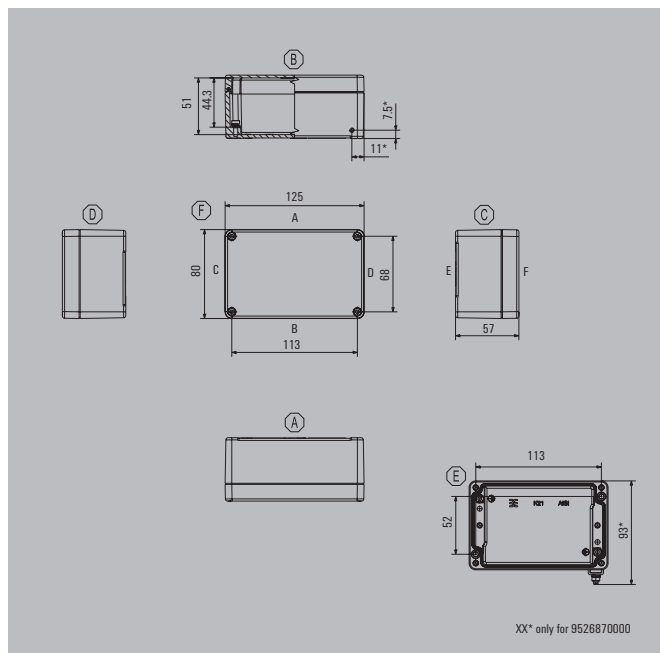
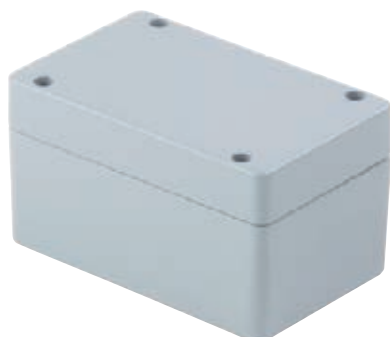
Number of cable entries	A / B	C / D
M12	3	1
M16	3	1
M20	2	
M25		
M32		
M40		
M50		
M63		

Note **Our IP 68 brass cable glands are used as the reference for these guideline values.

Dimensions of mounting plate



Note The accessory sets contain the necessary mounting material.



Height/Width/Depth 80 / 125 / 57 mm

Ordering data

powder-coated (RAL 7001)	Order No.
Standard (CR seal)	9529150000
Standard (silicone seal)**	1937830000
unpainted	Order No.
Standard (CR seal)	0573400000
Ex enclosure (silicone seal)	9526870000

Note The colours of painted enclosures may vary under certain circumstances. **Delivery time available on request.

Accessories

Terminal rail, Set	Order No.
15 mm width	1910020000
Mounting plate	Order No.
Steel sheet, zinc plated	3073020000
Hinge, diecast zinc, Set	Order No.
	1580360000
Torx® screwdriver	Order No.
Uninsulated Torx® TH20	9009160000

Note The accessory sets contain the necessary mounting material. Necessary on use of 1 hinge per longitudinal side.

Max. number of terminals (industry)

Assembly with terminal	vertical	horizontal
2.5 mm ²	*	1x15
4 mm ²	*	1x12
6 mm ²		
10 mm ²		
16 mm ²		



Note *Please refer to the Terminal Block Catalogue or the SAK Range for more information about populating the enclosures with terminal blocks. We recommend BK 6 or BK 6 CRN (0625220000) for vertical installations. There are no pre-defined mounting points set within this enclosure for installing internal equipment in a vertical position.

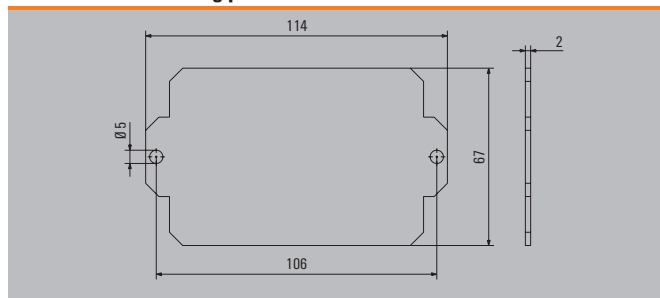
Number of cable entries

Number of cable entries	A / B	C / D
M12	6	2
M16	4	2
M20	3	1
M25	2	
M32		
M40		
M50		
M63		



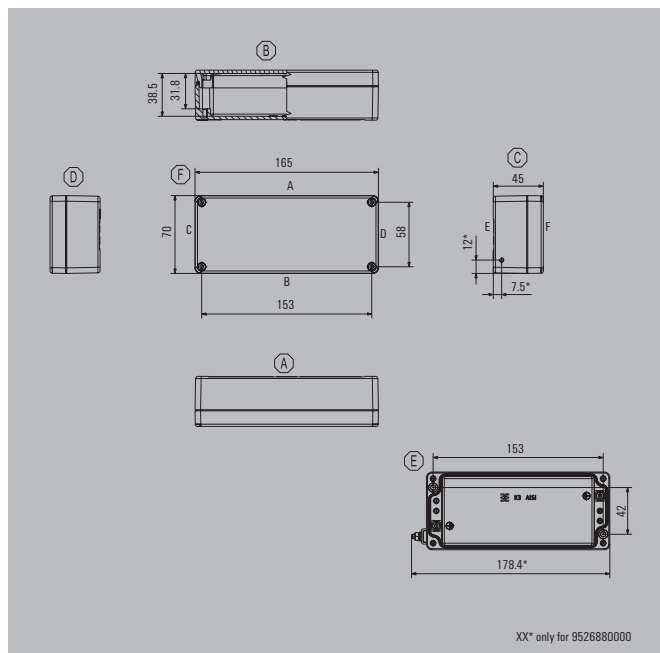
Note **Our IP 68 brass cable glands are used as the reference for these guideline values.

Dimensions of mounting plate



Klippon® K 3

Depth 45 mm



Height/Width/Depth 70 / 165 / 45 mm

Ordering data

powder-coated (RAL 7001)	Order No.
Standard (CR seal)	9529160000
Standard (silicone seal)**	1937900000
unpainted	Order No.
Standard (CR seal)	0342200000
Ex enclosure (silicone seal)	9526880000

Note The colours of painted enclosures may vary under certain circumstances. **Delivery time available on request.

Accessories

Terminal rail, Set	Order No.
15 mm width	1910030000
Mounting plate	Order No.
Steel sheet, zinc plated	1898210000
More tightly drawn	1899630000
Torx® screwdriver	Order No.
Uninsulated Torx® TH20	9009160000

Note The accessory sets contain the necessary mounting material.

Max. number of terminals (industry)

Assembly with terminal	vertical	horizontal
2.5 mm ²	*	1x22
4 mm ²	*	
6 mm ²		
10 mm ²		
16 mm ²		



Note *Please refer to the Terminal Block Catalogue or the SAK Range for more information about populating the enclosures with terminal blocks. We recommend BK 6 or BK 6 CRN (0625220000) for vertical installations. There are no pre-defined mounting points set within this enclosure for installing internal equipment in a vertical position.

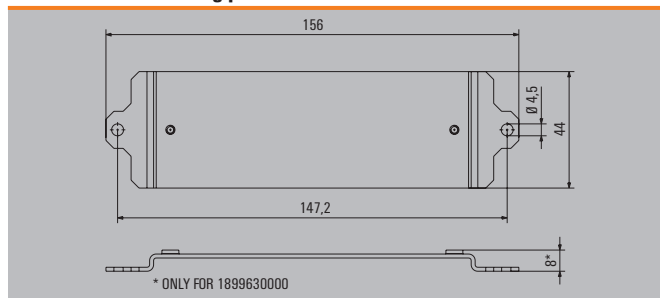
Number of cable entries

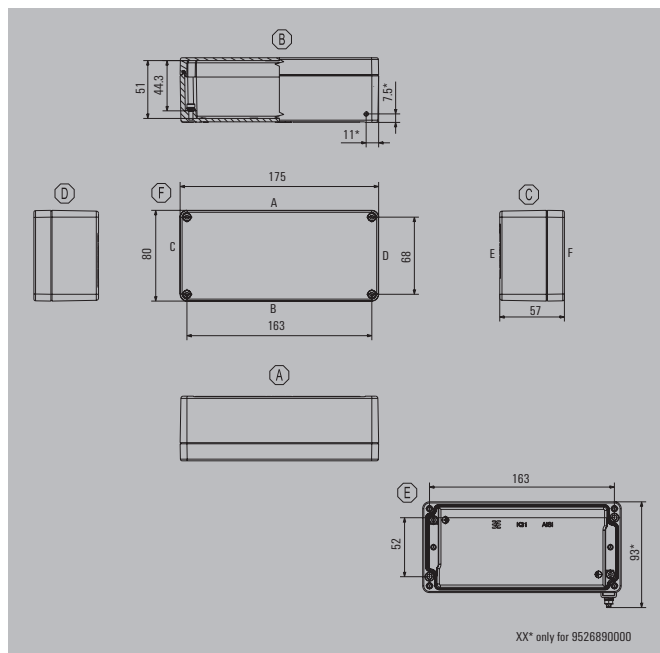
Number of cable entries	A / B	C / D
M12	6	1
M16	5	1
M20	4	
M25		
M32		
M40		
M50		
M63		



Note **Our IP 68 brass cable glands are used as the reference for these guideline values.

Dimensions of mounting plate





XX* only for 9526890000

Height/Width/Depth 80 / 175 / 57 mm

Ordering data

powder-coated (RAL 7001)	Order No.
Standard (CR seal)	9529170000
Standard (silicone seal)**	1937820000
unpainted	Order No.
Standard (CR seal)	0573500000
Ex enclosure (silicone seal)	9526890000

Note The colours of painted enclosures may vary under certain circumstances. **Delivery time available on request.

Accessories

Terminal rail, Set	Order No.
35 mm width	1910040000
Mounting plate	Order No.
Steel sheet, zinc plated	3073040000
Hinge, diecast zinc, Set	Order No.
	1580360000
Torx® screwdriver	Order No.
Uninsulated Torx® TH20	9009160000

Max. number of terminals (industry)

Assembly with terminal	vertical	horizontal
2.5 mm ²	*	1x23
4 mm ²	*	1x19
6 mm ²		
10 mm ²		
16 mm ²		



Note *Please refer to the Terminal Block Catalogue or the SAK Range for more information about populating the enclosures with terminal blocks. We recommend BK 6 or BK 6 CRN (0625220000) for vertical installations. There are no pre-defined mounting points set within this enclosure for installing internal equipment in a vertical position.

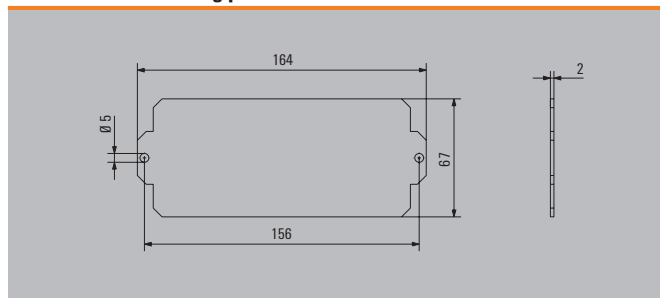
Number of cable entries

Number of cable entries	A / B	C / D
M12	9	2
M16	6	2
M20	4	1
M25	3	
M32		
M40		
M50		
M63		



Note **Our IP 68 brass cable glands are used as the reference for these guideline values.

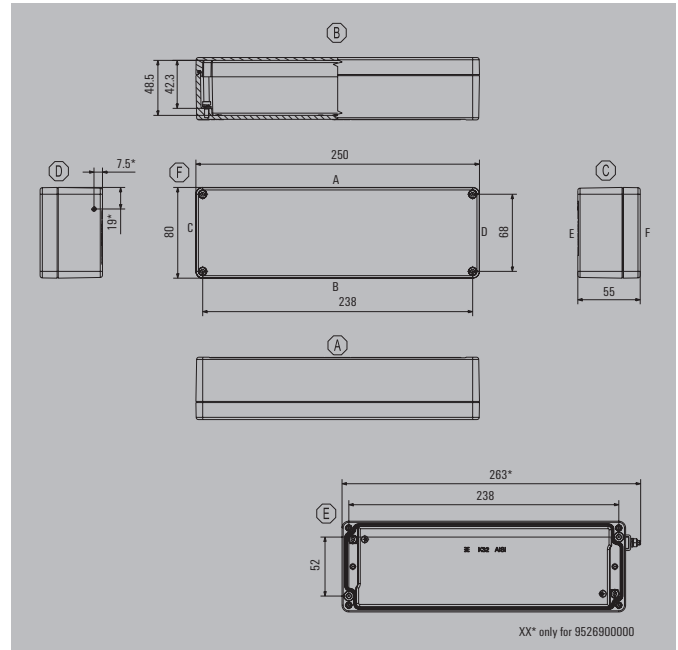
Dimensions of mounting plate



Note The accessory sets contain the necessary mounting material. Necessary on use of 1 hinge per longitudinal side.

Klippon® K 32

Depth 55 mm



Height/Width/Depth 80 / 250 / 55 mm

Ordering data

powder-coated (RAL 7001)	Order No.
Standard (CR seal)	9529180000
Standard (silicone seal)**	1937810000
unpainted	Order No.
Standard (CR seal)	1565260000
Ex enclosure (silicone seal)	9526900000

Note The colours of painted enclosures may vary under certain circumstances. **Delivery time available on request.

Accessories

Terminal rail, Set	Order No.
35 mm width	1910050000
Mounting plate	Order No.
Steel sheet, zinc plated	3073050000
Torx® screwdriver	Order No.
Uninsulated Torx® TH20	9009160000

Max. number of terminals (industry)

Assembly with terminal	vertical	horizontal
2.5 mm ²	*	1x38
4 mm ²	*	1x32
6 mm ²		
10 mm ²		
16 mm ²		

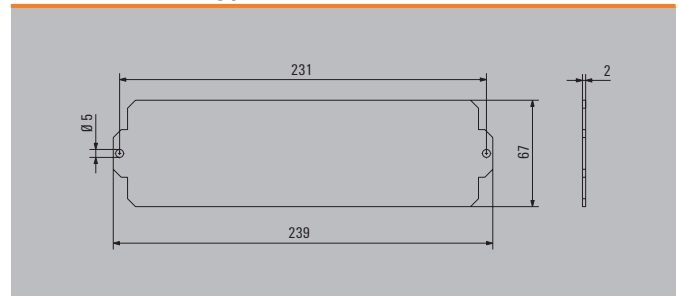
Note *Please refer to the Terminal Block Catalogue or the SAK Range for more information about populating the enclosures with terminal blocks. We recommend BK 6 or BK 6 CRN (0625220000) for vertical installations. There are no pre-defined mounting points set within this enclosure for installing internal equipment in a vertical position.

Number of cable entries

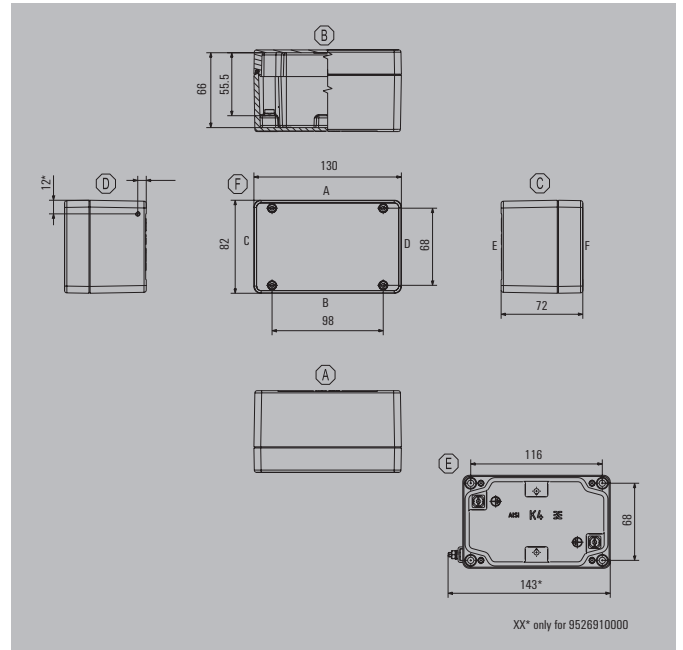
Number of cable entries	A / B	C / D
M12	15	2
M16	9	2
M20	7	1
M25	6	
M32		
M40		
M50		
M63		

Note **Our IP 68 brass cable glands are used as the reference for these guideline values.

Dimensions of mounting plate



Note The accessory sets contain the necessary mounting material.



Height/Width/Depth 82 / 130 / 72 mm

Ordering data

powder-coated (RAL 7001)		Order No.
	Standard (CR seal)	9529190000
	Standard (silicone seal)**	1937890000
unpainted		
	Standard (CR seal)	0342300000
	Ex enclosure (silicone seal)	9526910000


Note The colours of painted enclosures may vary under certain circumstances. **Delivery time available on request.

Accessories

Terminal rail, Set		Order No.
	35 mm width	1910060000
Mounting plate		
	Steel sheet, zinc plated	3073060000
Hinge, diecast zinc, Set		
		1580360000
Torx® screwdriver		
	Uninsulated Torx® TH20	9009160000

Max. number of terminals (industry)


Assembly with terminal	vertical	horizontal
	2.5 mm ²	1x5 *
	4 mm ²	1x4 *
	6 mm ²	1x3
	10 mm ²	1x2
	16 mm ²	



Note The mounting rails are designed to be installed directly. Assembly with terminals provides for 10 mm clearance to the ends of the mounting rail.
 Ordering recommendations:
 TS 35 mounting rail (screw-type terminals) WDU 2.5 1020000000 / (tension clamp terminals) ZDU 2.5 1608510000
 *For fitting the enclosures with terminal blocks, please refer to the Terminal block catalogue or the SAK range. We recommend BK 6 or BK 6 CRN (0625220000) for horizontal installations. There are no pre-defined mounting points set within this enclosure for installing internal equipment in a horizontal position.

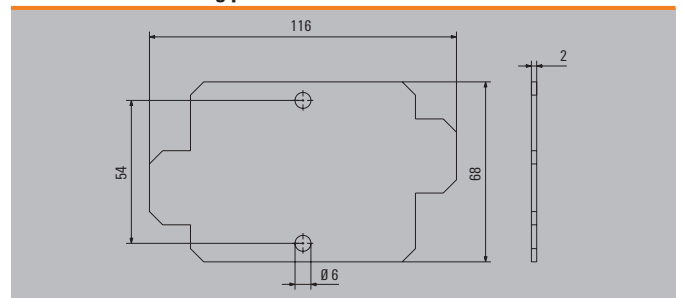
Number of cable entries

Number of cable entries	A / B	C / D
	M12	5
	M16	3
	M20	2
	M25	2
	M32	1
	M40	
	M50	
	M63	

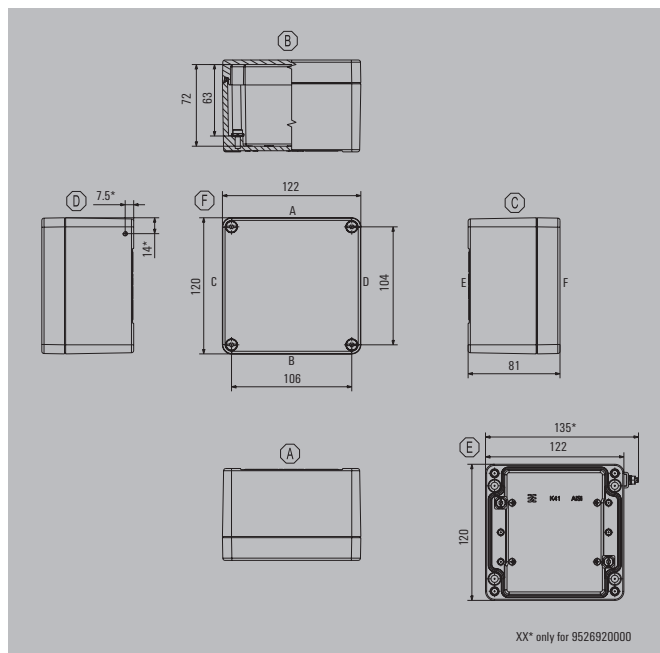


Note **Our IP 68 brass cable glands are used as the reference for these guideline values.

Dimensions of mounting plate



Note Sets also contain the mounting material, if required. 1 hinge per longitudinal side



Height/Width/Depth 120 / 122 / 81 mm

Ordering data

powder-coated (RAL 7001)	Order No.
Standard (CR seal)	9529200000
Standard (silicone seal)**	1937800000
unpainted	Order No.
Standard (CR seal)	1565270000
Ex enclosure (silicone seal)	9526920000

Note The colours of painted enclosures may vary under certain circumstances. **Delivery time available on request.

Accessories

Terminal rail, Set	Order No.
35 mm width	1910070000
Earth bar, Set	Order No.
Mounting plate	Order No.
Steel sheet, zinc plated	3073070000
Hinge, diecast zinc, Set	Order No.
	1580360000
External mounting feet, set of 4	Order No.
	9527590000
Torx® screwdriver	Order No.
Uninsulated Torx® TH20	9009160000

Note The accessory sets contain the necessary mounting material. Necessary on use of 1 hinge per longitudinal side.

Max. number of terminals (industry)

Assembly with terminal	vertical	horizontal
2.5 mm ²	*	1x13
4 mm ²	*	1x11
6 mm ²		1x8
10 mm ²		1x6
16 mm ²		



Note *Please refer to the Terminal Block Catalogue or the SAK Range for more information about populating the enclosures with terminal blocks. We recommend BK 6 or BK 6 CRN (0625220000) for vertical installations. There are no specified mounting options available for mounting the enclosure in a vertical position. There are no pre-defined mounting points set within this enclosure for installing internal equipment in a vertical position.

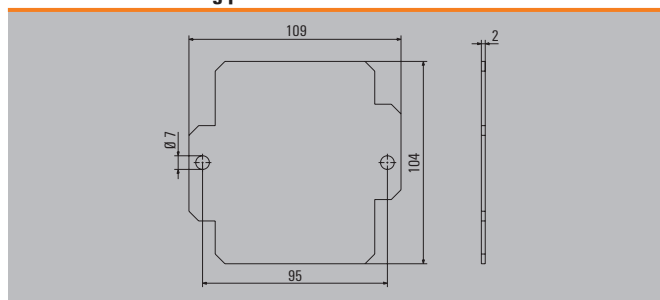
Number of cable entries

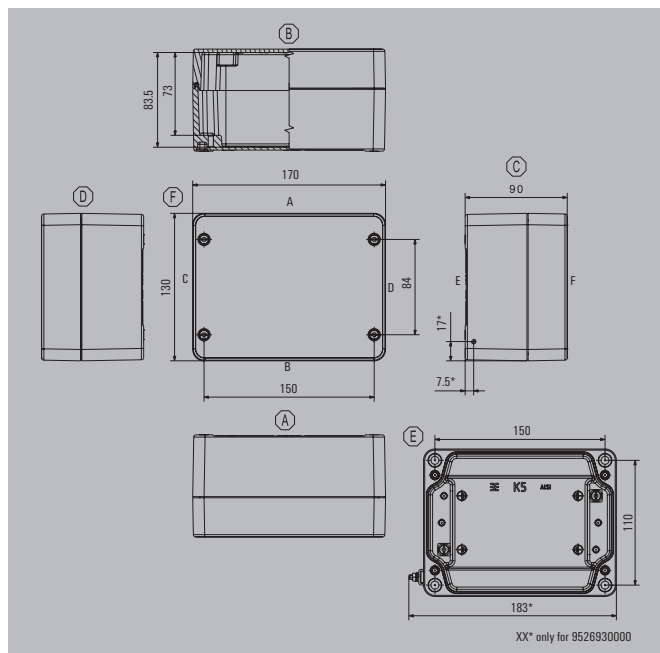
Number of cable entries	A / B	C / D
M12	6	4
M16	6	4
M20	3	2
M25	2	1
M32	1	1
M40		
M50		
M63		



Note **Our IP 68 brass cable glands are used as the reference for these guideline values.

Dimensions of mounting plate





Height/Width/Depth 130 / 170 / 90 mm

Ordering data

powder-coated (RAL 7001)	Order No.
Standard (CR seal)	9529210000
Standard (silicone seal)**	1937860000
unpainted	Order No.
Standard (CR seal)	0342400000
Ex enclosure (silicone seal)	9526930000

Note The colours of painted enclosures may vary under certain circumstances. **Delivery time available on request.

Accessories

Terminal rail, Set	Order No.
35 mm width	1910080000
Earth bar, Set	Order No.
	9511220000
Mounting plate	Order No.
Steel sheet, zinc plated	3073080000
Hinge, diecast zinc, Set	Order No.
	1580360000
External mounting feet, set of 4	Order No.
	9529080000
Torx® screwdriver	Order No.
Uninsulated Torx® TH20	9009160000

Note The accessory sets contain the necessary mounting material. Necessary on use of 1 hinge per longitudinal side.

Max. number of terminals (industry)

Assembly with terminal	vertical	horizontal
2.5 mm ²	*	1x20
4 mm ²	*	1x16
6 mm ²		1x12
10 mm ²		1x10
16 mm ²		1x8



Note The mounting rails are designed to be installed directly. Assembly with terminals provides for 10 mm clearance to the ends of the mounting rail. Ordering recommendations: TS 35 mounting rail (screw-type terminals) WDU 2.5 1020000000 / (tension clamp terminals) ZDU 2.5 1608510000. *For fitting the enclosures with terminal blocks, please refer to the Terminal block catalogue or the SAK range. We recommend BK 6 or BK 6 CRN (0625220000) for vertical installations. There are no specified mounting options available for mounting the enclosure in a vertical position. There are no pre-defined mounting points set within this enclosure for installing internal equipment in a vertical position.

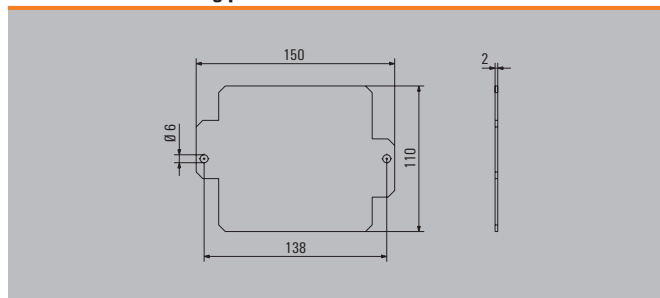
Number of cable entries

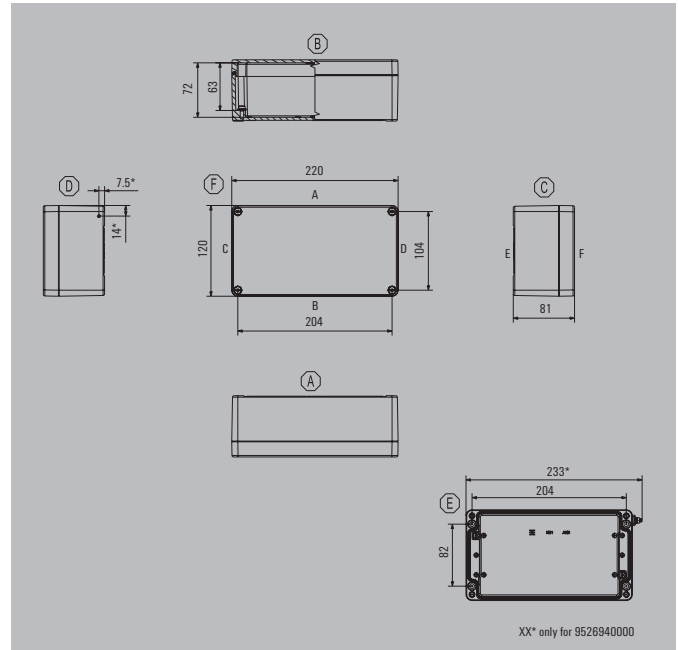
Number of cable entries	A / B	C / D
M12	11	4
M16	8	2
M20	4	1
M25	3	1
M32	2	1
M40		
M50		
M63		



Note **Our IP 68 brass cable glands are used as the reference for these guideline values.

Dimensions of mounting plate





Height/Width/Depth 120 / 220 / 81 mm

Ordering data

powder-coated (RAL 7001)	Order No.
Standard (CR seal)	9529220000
Standard (silicone seal)**	1937750000
unpainted	Order No.
Standard (CR seal)	1565280000
Ex enclosure (silicone seal)	9526940000

Note The colours of painted enclosures may vary under certain circumstances. **Delivery time available on request.

Accessories

Terminal rail, Set	Order No.
35 mm width	1910090000
Earth bar, Set	Order No.
	9511210000
Mounting plate	Order No.
Steel sheet, zinc plated	3073090000
Hinge, diecast zinc, Set	Order No.
	1580360000
External mounting feet, set of 4	Order No.
	9527590000
Torx® screwdriver	Order No.
Uninsulated Torx® TH20	9009160000

Max. number of terminals (industry)

Assembly with terminal	vertical	horizontal
2.5 mm ²	*	1x31
4 mm ²	*	1x26
6 mm ²		1x19
10 mm ²		1x15
16 mm ²		



Note The mounting rails are designed to be installed directly. Assembly with terminals provides for 10 mm clearance to the ends of the mounting rail. Ordering recommendations: TS 35 mounting rail (screw-type terminals) WDU 2.5 1020000000 / (tension clamp terminals) ZDU 2.5 1608510000 *For fitting the enclosures with terminal blocks, please refer to the Terminal block catalogue or the SAK range. We recommend BK 6 or BK 6 CRN (0625220000) for vertical installations. There are no pre-defined mounting points set within this enclosure for installing internal equipment in a vertical position.

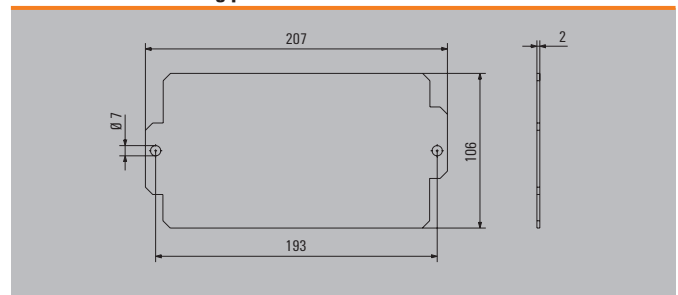
Number of cable entries

Number of cable entries	A / B	C / D
M12	23	6
M16	14	3
M20	8	2
M25	5	1
M32	3	1
M40	3	
M50		
M63		

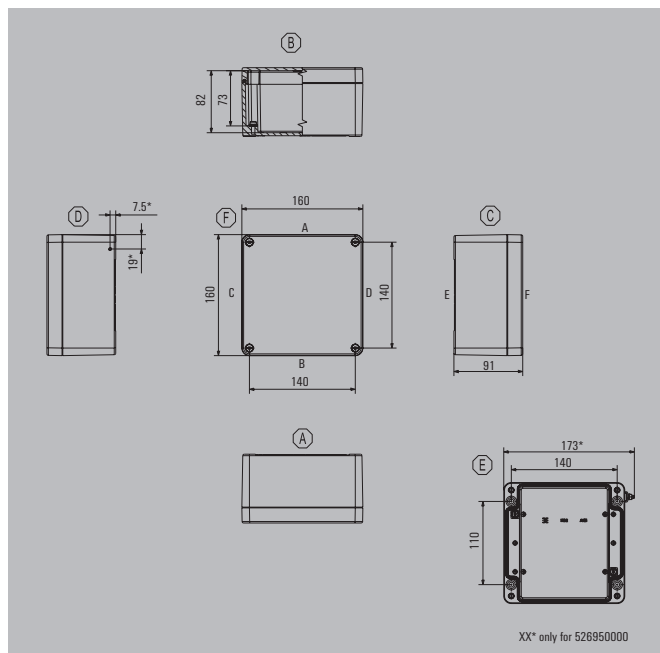


Note **Our IP 68 brass cable glands are used as the reference for these guideline values.

Dimensions of mounting plate



Note The accessory sets contain the necessary mounting material. Necessary on use of 2 hinges per longitudinal side.



Height/Width/Depth 160 / 160 / 91 mm

Ordering data

powder-coated (RAL 7001)		Order No.
	Standard (CR seal)	9529230000
	Standard (silicone seal)**	1937740000
unpainted		
	Standard (CR seal)	1565290000
	Ex enclosure (silicone seal)	9526950000

Note The colours of painted enclosures may vary under certain circumstances. **Delivery time available on request.

Accessories

Terminal rail, Set		Order No.
	35 mm width	1910100000
Earth bar, Set		9511220000
Mounting plate		3073100000
	Steel sheet, zinc plated	1580360000
Hinge, diecast zinc, Set		1580360000
External mounting feet, set of 4		9527590000
Torx® screwdriver		9009160000
	Uninsulated Torx® TH20	9009160000

Max. number of terminals (industry)

Assembly with terminal	vertical	horizontal
	2.5 mm ²	1x18
	4 mm ²	1x15
	6 mm ²	1x11
	10 mm ²	1x9
	16 mm ²	



Note The mounting rails are designed to be installed directly. Assembly with terminals provides for 10 mm clearance to the ends of the mounting rail. Ordering recommendations: TS 35 mounting rail (screw-type terminals) WDU 2.5 1020000000 / (tension clamp terminals) ZDU 2.5 1608510000. *For fitting the enclosures with terminal blocks, please refer to the Terminal block catalogue or the SAK range. We recommend BK 12 or BK 12 CRN (0625320000) for vertical installations. There are no pre-defined mounting points set within this enclosure for installing internal equipment in a vertical position.

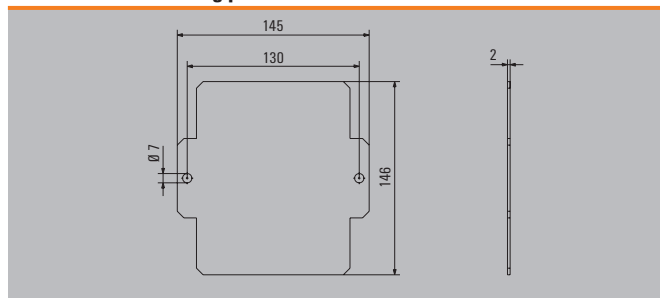
Number of cable entries

Number of cable entries	A / B	C / D
	M12	14
	M16	8
	M20	5
	M25	3
	M32	2
	M40	1
	M50	
	M63	

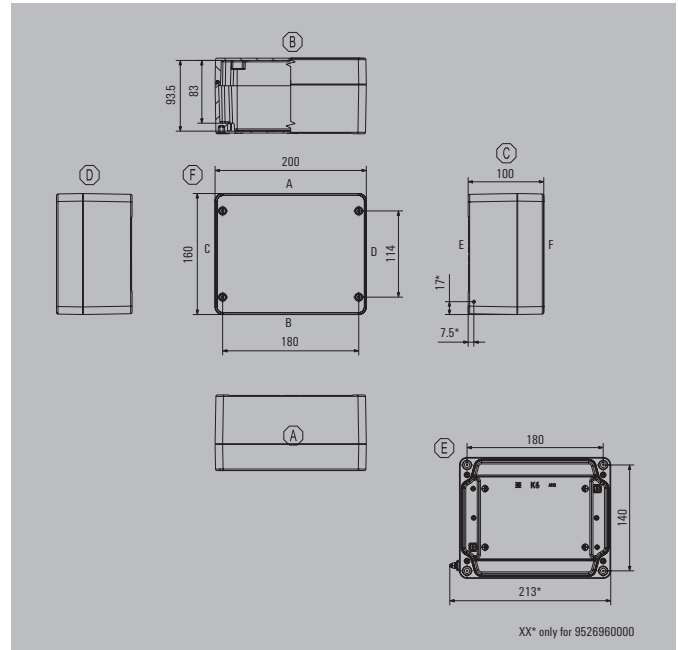


Note **Our IP 68 brass cable glands are used as the reference for these guideline values.

Dimensions of mounting plate



Note The accessory sets contain the necessary mounting material. Necessary on use of 1 hinge per longitudinal side.



Height/Width/Depth 160 / 200 / 100 mm

Ordering data

powder-coated (RAL 7001)	Order No.
Standard (CR seal)	9529240000
Standard (silicone seal)**	1937870000
unpainted	Order No.
Standard (CR seal)	0342500000
Ex enclosure (silicone seal)	9526960000

Note The colours of painted enclosures may vary under certain circumstances. **Delivery time available on request.

Accessories

Terminal rail, Set	Order No.
35 mm width	1910110000
Earth bar, Set	
Mounting plate	
Steel sheet, zinc plated	3073110000
Hinge, diecast zinc, Set	1580360000
External mounting feet, set of 4	9529080000
Torx® screwdriver	9009160000
Uninsulated Torx® TH20	

Max. number of terminals (industry)

Assembly with terminal	vertical	horizontal
2.5 mm ²	*	1x25
4 mm ²	*	1x21
6 mm ²		1x15
10 mm ²		1x12
16 mm ²		1x10



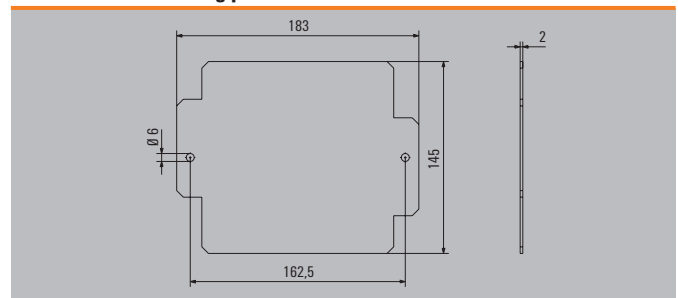
Note The mounting rails are designed to be installed directly. Assembly with terminals provides for 10 mm clearance to the ends of the mounting rail.
 Ordering recommendations:
 TS 35 mounting rail (screw-type terminals) WDU 2.5 1020000000 / (tension clamp terminals) ZDU 2.5 1608510000
 *For fitting the enclosures with terminal blocks, please refer to the Terminal block catalogue or the SAK range. We recommend BK 12 or BK 12 CRN (0625320000) for vertical installations. There are no pre-defined mounting points set within this enclosure for installing internal equipment in a vertical position.

Number of cable entries

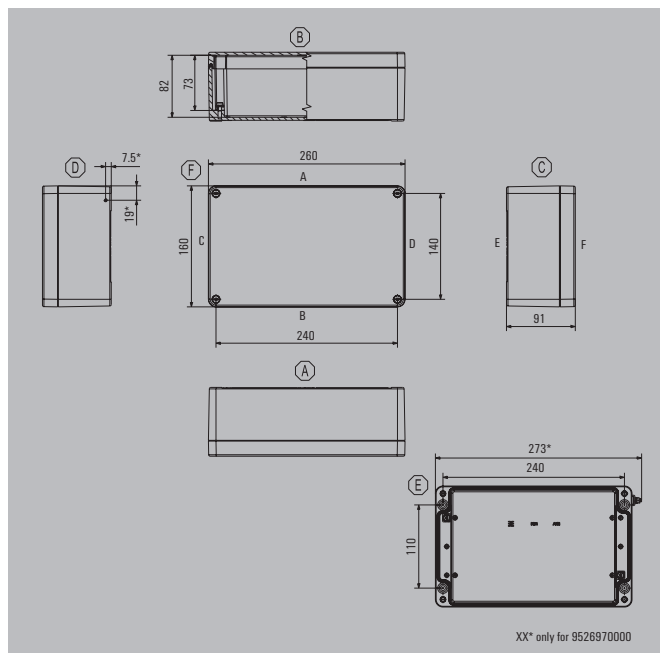
Number of cable entries	A / B	C / D
M12	17	6
M16	12	6
M20	7	3
M25	4	2
M32	3	2
M40	2	1
M50		
M63		

Note **Our IP 68 brass cable glands are used as the reference for these guideline values.

Dimensions of mounting plate



Note The accessory sets contain the necessary mounting material. Necessary on use of 2 hinges per longitudinal side.



Height/Width/Depth 160 / 260 / 91 mm

Ordering data

powder-coated (RAL 7001)	Order No.
Standard (CR seal)	9529250000
Standard (silicone seal)**	1937730000
unpainted	Order No.
Standard (CR seal)	0573600000
Ex enclosure (silicone seal)	9526970000

Note The colours of painted enclosures may vary under certain circumstances. **Delivery time available on request.

Accessories

Terminal rail, Set	Order No.
35 mm width	1910120000
Earth bar, Set	Order No.
	9511230000
Mounting plate	Order No.
Steel sheet, zinc plated	3073120000
Hinge, diecast zinc, Set	Order No.
	1580360000
External mounting feet, set of 4	Order No.
	9527590000
Torx® screwdriver	Order No.
Uninsulated Torx® TH20	9009160000

Max. number of terminals (industry)

Assembly with terminal	vertical	horizontal
2.5 mm ²	*	1x38
4 mm ²	*	1x32
6 mm ²		1x24
10 mm ²		1x19
16 mm ²		1x16



Note The mounting rails are designed to be installed directly. Assembly with terminals provides for 10 mm clearance to the ends of the mounting rail. Ordering recommendations: TS 35 mounting rail (screw-type terminals) WDU 2.5 1020000000 / (tension clamp terminals) ZDU 2.5 1608510000 *For fitting the enclosures with terminal blocks, please refer to the Terminal block catalogue or the SAK range. We recommend BK 12 or BK 12 CRN (0625320000) for vertical installations. There are no pre-defined mounting points set within this enclosure for installing internal equipment in a vertical position.

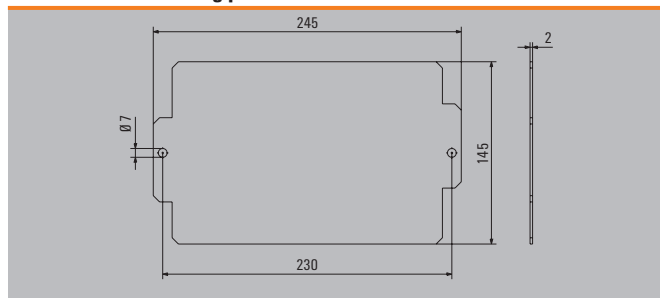
Number of cable entries

Number of cable entries	A / B	C / D
M12	27	8
M16	23	6
M20	13	3
M25	8	2
M32	4	1
M40	3	1
M50		
M63		

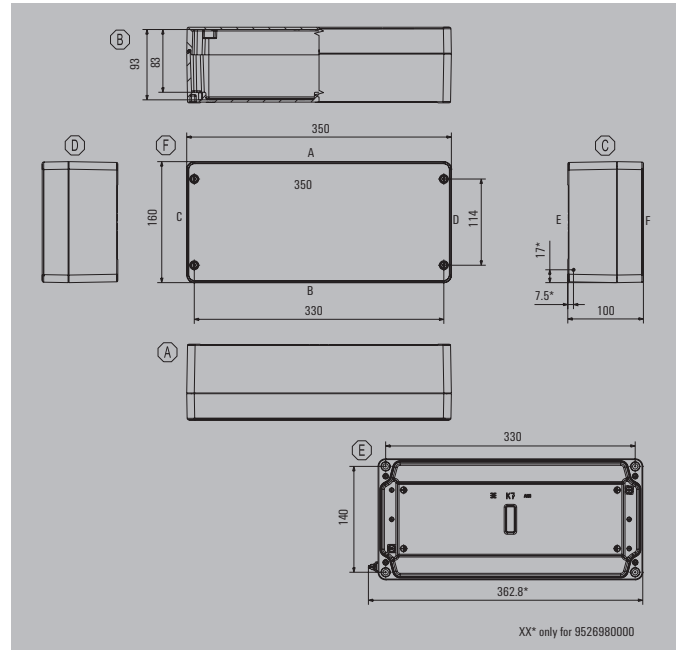


Note **Our IP 68 brass cable glands are used as the reference for these guideline values.

Dimensions of mounting plate



Note The accessory sets contain the necessary mounting material. Necessary on use of 2 hinges per longitudinal side.



Height/Width/Depth 160 / 350 / 100 mm

Ordering data

powder-coated (RAL 7001)	Order No.
Standard (CR seal)	9529260000
Standard (silicone seal)**	1937880000
unpainted	Order No.
Standard (CR seal)	0342600000
Ex enclosure (silicone seal)	9526980000

Note The colours of painted enclosures may vary under certain circumstances. **Delivery time available on request.

Accessories

Terminal rail, Set	Order No.
35 mm width	1910130000
Earth bar, Set	Order No.
Mounting plate	Order No.
Steel sheet, zinc plated	3073130000
Hinge, diecast zinc, Set	Order No.
	1580360000
External mounting feet, set of 4	Order No.
	9529080000
Torx® screwdriver	Order No.
Uninsulated Torx® TH20	9009160000

Max. number of terminals (industry)

Assembly with terminal	vertical	horizontal
2.5 mm ²	*	1x55
4 mm ²	*	1x46
6 mm ²		1x34
10 mm ²		1x27
16 mm ²		1x23



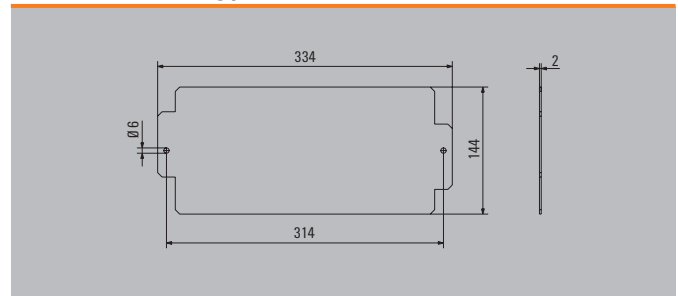
Note The mounting rails are designed to be installed directly. Assembly with terminals provides for 10 mm clearance to the ends of the mounting rail. Ordering recommendations: TS 35 mounting rail (screw-type terminals) WDU 2.5 1020000000 / (tension clamp terminals) ZDU 2.5 1608510000 *For fitting the enclosures with terminal blocks, please refer to the Terminal block catalogue or the SAK range. We recommend BK 12 or BK 12 CRN (0625320000) for vertical installations. There are no pre-defined mounting points set within this enclosure for installing internal equipment in a vertical position.

Number of cable entries

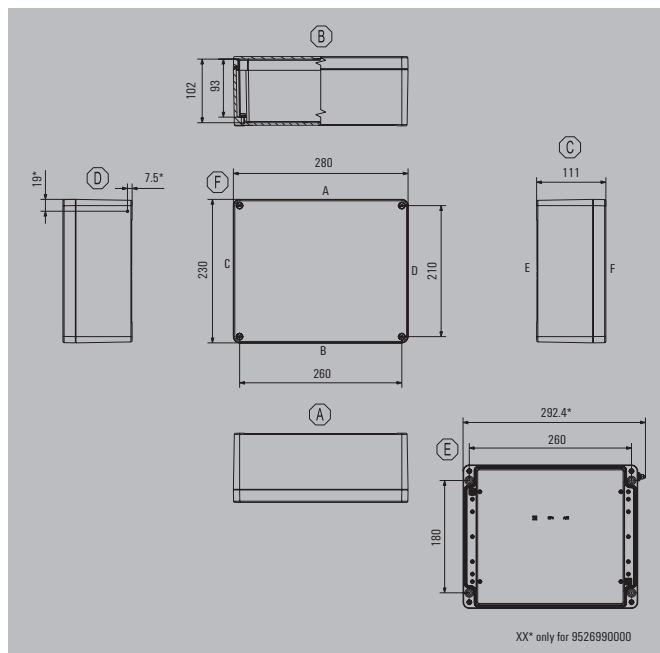
Number of cable entries	A / B	C / D
M12	42	8
M16	26	6
M20	17	3
M25	10	2
M32	6	2
M40	5	1
M50		
M63		

Note **Our IP 68 brass cable glands are used as the reference for these guideline values.

Dimensions of mounting plate



Note The accessory sets contain the necessary mounting material. Necessary on use of 2 hinges per longitudinal side.



Height/Width/Depth 230 / 280 / 111 mm

Ordering data

powder-coated (RAL 7001)		Order No.
	Standard (CR seal)	9529270000
	Standard (silicone seal)**	1937720000
unpainted		
	Standard (CR seal)	0573700000
	Ex enclosure (silicone seal)	9526990000

Note The colours of painted enclosures may vary under certain circumstances. **Delivery time available on request.

Accessories

Terminal rail, Set		Order No.
	35 mm width	1910140000
Earth bar, Set		9511190000
Mounting plate		3073140000
	Steel sheet, zinc plated	1580360000
Hinge, diecast zinc, Set		1580360000
External mounting feet, set of 4		9527590000
Torx® screwdriver		9009160000
	Uninsulated Torx® TH20	9009160000

Max. number of terminals (industry)

Assembly with terminal	vertical	horizontal
	2.5 mm ²	* 2x42
	4 mm ²	* 2x35
	6 mm ²	2x26
	10 mm ²	2x21
	16 mm ²	



Note The mounting rails are designed to be installed directly. Assembly with terminals provides for 10 mm clearance to the ends of the mounting rail. Ordering recommendations: TS 35 mounting rail (screw-type terminals) WDU 2.5 1020000000 / (tension clamp terminals) ZDU 2.5 1608510000. *For fitting the enclosures with terminal blocks, please refer to the Terminal block catalogue or the SAK range. We recommend BK 12 or BK 12 CRN (0625320000) for vertical installations. There are no pre-defined mounting points set within this enclosure for installing internal equipment in a vertical position.

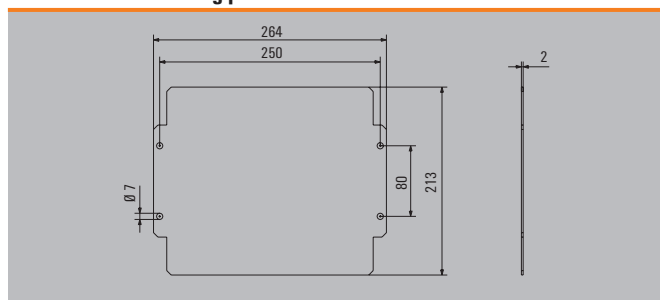
Number of cable entries

Number of cable entries	A / B	C / D
	M12	42
	M16	30
	M20	21
	M25	12
	M32	10
	M40	4
	M50	3
	M63	2



Note **Our IP 68 brass cable glands are used as the reference for these guideline values.

Dimensions of mounting plate



Note The accessory sets contain the necessary mounting material. Necessary on use of 2 hinges per longitudinal side.

Standardised distribution boxes – Product overview: Aluminium enclosure

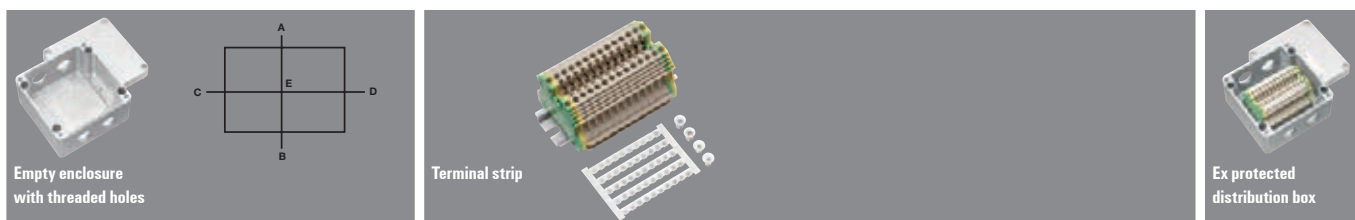
Use the product overview to find the right solution for you! Combine your own industrial version consisting of an enclosure, with or without threaded holes, a suitable mounting rail or pre-fitted terminal strips. The compatible components are always shown in a row.

Distribution boxes with Ex protection for use in explosive areas can be found in the last column. They come with threaded holes and are already equipped with a terminal strip.

Aluminium enclosure, uncoated

Dimensions of the enclosure height x width x depth mm	Enclosure type	Empty enclosure without threaded holes		Mounting rail (TS) Mounting plate (MOPL)		Order No.	Qty.
		Order No.	Qty.	Type	Length mm		
Aluminium, uncoated							
64 x 58 x 34	Klippon® K01	1565240000	10	-	-	-	-
70 x 70 x 45	Klippon® K1	0342000000	10	TS15	60	4.5 x 20	1909980000
				MOPL	59	4.2 x 14	8000004495
80 x 75 x 57	Klippon® K11	0573300000	10	TS15	64	4.5 x 20	1909990000
70 x 100 x 45	Klippon® K2	0342100000	10	TS15	90	4.5 x 20	1910010000
				MOPL	89	4.2 x 14	8000004496
80 x 125 x 57	Klippon® K21	0573400000	5	TS15	114	4.5 x 20	1910020000
70 x 165 x 45	Klippon® K3	0342200000	5	TS15	155	4.5 x 20	1910030000
				MOPL	154	4.2 x 14	8000004497
80 x 175 x 57	Klippon® K31	0573500000	5	TS15	164	4.5 x 20	1910040000
82 x 130 x 72	Klippon® K4	0342300000	1	TS35	64	5.5 x 20	1910060000
120 x 122 x 81	Klippon® K41	1565270000	1	TS35	105	6.3 x 20	1910070000
130 x 170 x 90	Klippon® K5	0342400000	1	TS35	148	5.5 x 20	1910080000
160 x 160 x 91	Klippon® K52	1565290000	1	TS35	140	6.3 x 20	1910100000
		protection class IP 66		suitable for the enclosures of the respective line			

¹⁾ Multi-pole terminal strip (terminal block BK 4, BK 6 or BK 12), mounted on mounting plate
²⁾ Space for further threaded holes up to M40

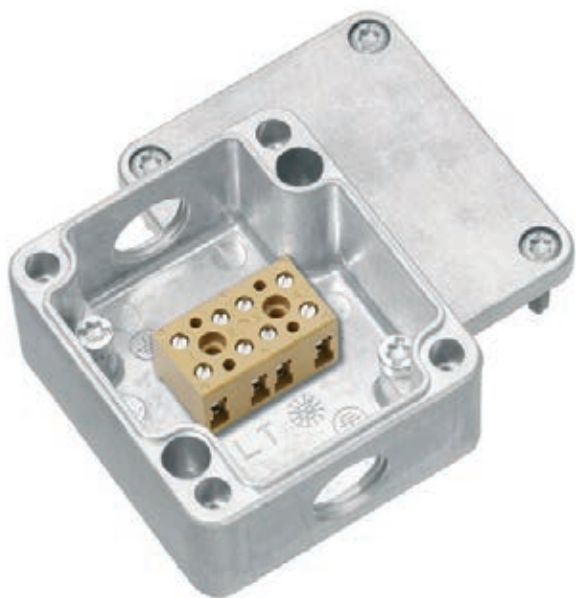


Threaded hole Side A	Threaded hole Side B	Order No.	Qty.	Connection technology	Cross-section mm ²	Number of DU*	Number of PE*	Order No.	Qty.	Order No.
----------------------	----------------------	-----------	------	-----------------------	-------------------------------	---------------	---------------	-----------	------	-----------

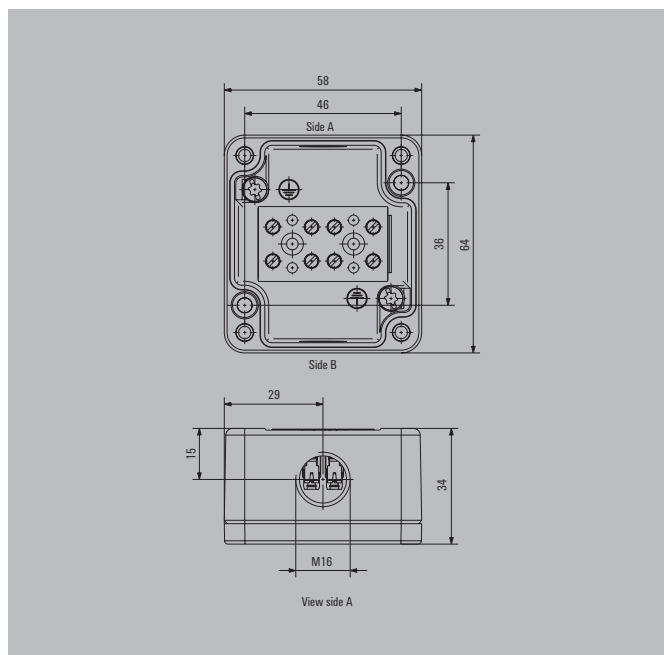
1x M16	1x M16	8000004184	1	Screw connection		4	4	0	7906080000	100	-
1x M16	2x M16	8000004147	1	Screw connection		4	4	0	8000004129 ¹⁾	1	8000004202
1x M20	1x M20	8000004148	1								8000004203
2x M16	2x M16	8000004149	1	Screw connection		4	5	2	8000004131	1	8000004207
2x M20	2x M20	8000004150	1	Tension clamp connection		2.5	5	1	8000004130	1	8000004208
2x M16	2x M16			Tension clamp connection		2.5	5	1			
2x M20	2x M20			Screw connection		4	5	2			8000004209
2x M20	2x M20	8000004151	1	Screw connection		4	6	0	8000004132 ¹⁾	1	8000004210
3x M16	3x M16	8000004152	1	Screw connection		4	13	2	8000004134	1	8000004212
3x M16	3x M16			Tension clamp connection		2.5	14	2	8000004133	1	8000004211
4x M20	4x M20	8000004153	1	Screw connection		4	12	0	8000004135 ¹⁾	1	
4x M20	4x M20	8000004154	1	Screw connection		4	21	2	8000004137	1	8000004215
4x M20	4x M20			Tension clamp connection		2.5	24	2	8000004136	1	8000004214
2x M20	2x M20	8000004155	1	Screw connection		4	5	2	8000004138	1	
2x M20	2x M20			Tension clamp connection		4	4	1	8000004139	1	8000004217
2x M25	2x M25	8000003446	1	Screw connection		4	12	2	8000003444	1	8000003589
3x M20	3x M20	8000003447	1	Tension clamp connection		4	9	2	8000003445	1	
2x M25	2x M25			Tension clamp connection		4	9	2			
3x M20	3x M20			Screw connection		4	12	2			8000003591
4x M20	4x M20	8000004158	1	Screw connection		4	17	2	8000004140	1	8000004218
4x M20	4x M20			Tension clamp connection		4	15	2	8000004141	1	
4x M20	4x M20	8000004159 ²⁾	1	Screw connection		4	16	2	8000004142	1	8000004220
4x M20	4x M20			Tension clamp connection		2.5	19	2	8000004143	1	8000004221

suitable for the enclosure of the respective line
 *DU = feed-through terminals, PE = PE terminals


Ex-enclosure with threaded holes and terminal strip according to the respective line



Height / Width / Depth 64 / 58 / 34 mm



Accessories

Stopping plugs	Order No.
 KSPM M16 PL	1209890000
VP M16-EXE MS	1737140000

Empty enclosure with tapped holes

Drill holes side A	Drill holes side B	Order No.
1 x M16x1.5	1 x M16x1.5	8000004184

Note All enclosures are natural finish (unpainted).

Note You can find markers and labels in the Terminal Block Catalogue. Wall-mounting options can be found in Chapter B under Klippon® K

Terminal block, suitable for empty enclosure

Type of connection	Type	Conductor can be clamped	Rated cross-section	No. of DU*	No. of PE*	Order No.
Screw connection	BK 4/E	Solid / stranded	0.5...4 mm ² / 1.5...4 mm ²			7906080000
		Flexible / flexible with wire-end ferrule	0.5...4 mm ² / 0.5...4 mm ²			

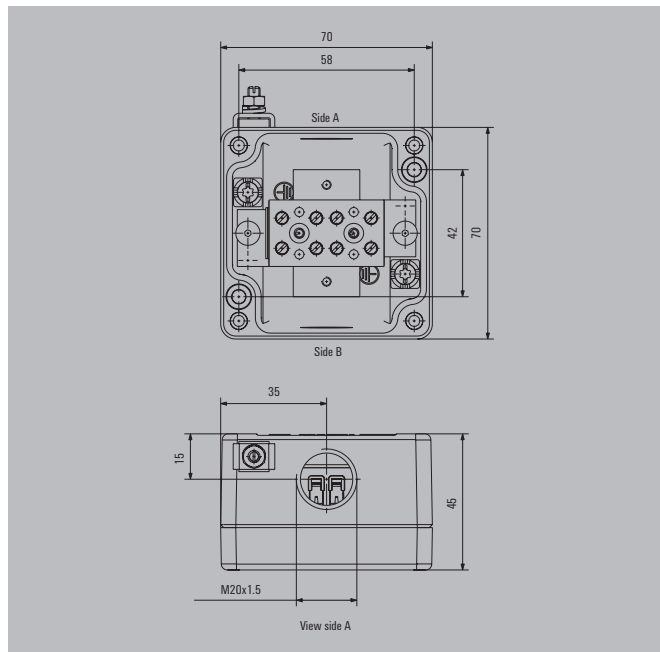
Note *DU = feed-through terminals, PE = PE terminals

Klippon® K1

45 mm



Height / Width / Depth 70 / 70 / 45 mm



Empty enclosure with tapped holes

	Drill holes side A	Drill holes side B	Order No.
	1 x M16x1.5	2 x M16x1.5	8000004147
	1 x M20x1.5	1 x M20x1.5	8000004148

Note All enclosures are natural finish (unpainted).

Accessories

Cable glands	Order No.
KSG M20 BN O NI 2 G20	1911560000
Stopping plugs	Order No.
KSPM M16 PL	1209890000
KSPM M20 PL	1209910000
VP M16-EXE MS	1737140000
VP M20-EXE MS	1737150000

Note You can find markers and labels in the Terminal Block Catalogue. Wall-mounting options can be found in Chapter B under Klippon® K

Terminal block, suitable for empty enclosure

Type	Type of connection	Conductor can be clamped	Rated cross-section	No. of DU*	No. of PE*	Order No.
BK 4/E	Screw connection	Solid / stranded Flexible / flexible with wire-end ferrule	0.5...4 mm ² / 1.5...4 mm ² 0.5...4 mm ² / 0.5...4 mm ²	4	0	8000004129

Note Supplied with mounting screws.
*DU = feed-through terminals, PE = PE terminals

Distribution box with ATEX II 2GD T85°C Ex e II T6

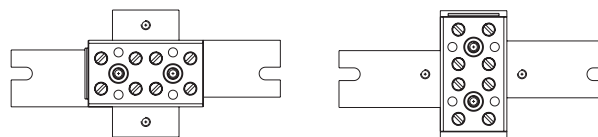
Drill holes side A	Drill holes side B	No. of DU*	No. of PE*	Order No.
1 x M16x1.5	2 x M16x1.5	4	0	8000004202
1 x M20x1.5	1 x M20x1.5	4	0	8000004203



Note All enclosures are equipped with an external earth stud connection.
*DU = feed-through terminals, PE = PE terminals

Terminal rail / mounting plate set

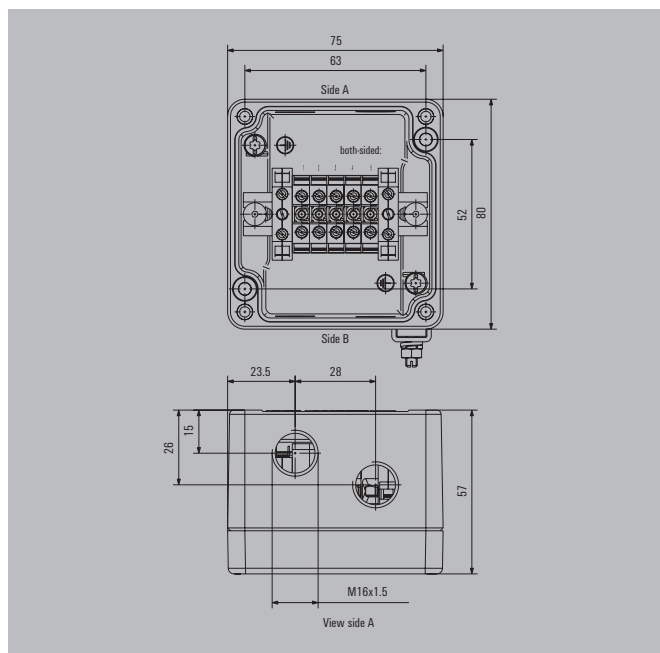
Product type	Type	Length	Order No.
Mounting plate	MOPL K1 BKVARIO SET	59 mm	8000004495
Mounting rail	TS15 60 Klippon K1 CSS	60 mm	1909980000



Note Supplied with mounting screws for the mounting rail or mounting plate



Height / Width / Depth 80 / 75 / 57 mm



Empty enclosure with tapped holes

	Drill holes side A	Drill holes side B	Order No.
	2 x M16x1.5	2 x M16x1.5	8000004149
	2 x M20x1.5	2 x M20x1.5	8000004150

Note All enclosures are natural finish (unpainted).

Accessories

Accessories	Order No.	
Cable glands KSG M20 BN O NI 2 G20	1911560000	
Stopping plugs KSPM M16 PL	1209890000	
	KSPM M20 PL	1209910000
	VP M16-EXE MS	1737140000
	VP M20-EXE MS	1737150000
Adapters ADAP EX M20-M16	1737560000	

Note You can find markers and labels in the Terminal Block Catalogue. Wall-mounting options can be found in Chapter B under Klippon® K

Terminal block, suitable for empty enclosure

Type	Type of connection	Conductor can be clamped	Rated cross-section	No. of DU*	No. of PE*	Order No.
AKZ 4	Screw connection	Solid / stranded Flexible / flexible with wire-end ferrule	0.5..6 mm ² / 1.5..4 mm ² 0.5..4 mm ² / 0.5..2.5 mm ²	5	2	8000004131
ZDUA 2.5-2	Tension clamp connection	Solid / stranded Flexible / flexible with wire-end ferrule	0.5..4 mm ² / ... 0.5..2.5 mm ² / 0.5..1.5 mm ²	5	1	8000004130

Note Markers numbered 1-50 (horizontal text) and mounting screws are included in the delivery.
*DU = feed-through terminals, PE = PE terminals

Distribution box with ATEX II 2GD T85°C Ex e II T6

Drill holes side A	Drill holes side B	No. of DU*	No. of PE*	Order No.
2 x M16x1.5	2 x M16x1.5	5	2	8000004207
2 x M16x1.5	2 x M16x1.5	5	1	8000004204
2 x M20x1.5	2 x M20x1.5	5	2	8000004209
2 x M20x1.5	2 x M20x1.5	5	1	8000004208



Note All enclosures are equipped with an external earth stud connection.
*DU = feed-through terminals, PE = PE terminals

Terminal rail / mounting plate set

Product type	Type	Length	Order No.
Mounting rail	TS15 64 Klippon K11	64 mm	1909990000

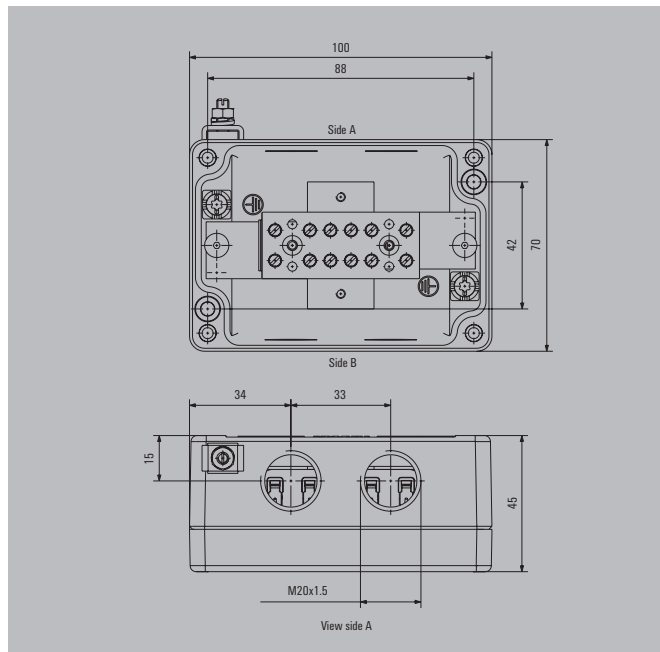
Note Supplied with mounting screws for the mounting rail or mounting plate

Klippon® K2

45 mm



Height / Width / Depth 70 / 100 / 45 mm



Empty enclosure with tapped holes

Drill holes side A	Drill holes side B	Order No.
2 x M20x1.5	2 x M20x1.5	8000004151

Note All enclosures are natural finish (unpainted).

Accessories

Cable glands	Order No.
KSG M20 BN O NI 2 G20	1911560000
Stopping plugs	Order No.
KSPM M20 PL	1209910000
VP M20-EXE MS	1737150000
Adapters	Order No.
ADAP EX M20-M16	1737560000

Note You can find markers and labels in the Terminal Block Catalogue. Wall-mounting options can be found in Chapter B under Klippon® K

Terminal block, suitable for empty enclosure

Type	Type of connection	Conductor can be clamped	Rated cross-section	No. of DU*	No. of PE*	Order No.
BK 6/E	Screw connection	Solid / stranded	0.5...4 mm ² / 1.5...4 mm ²	6	0	8000004132
		Flexible / flexible with wire-end ferrule	0.5...4 mm ² / 0.5...4 mm ²			

Note Supplied with mounting screws. *DU = feed-through terminals, PE = PE terminals

Distribution box with ATEX II 2GD T85°C Ex e II T6

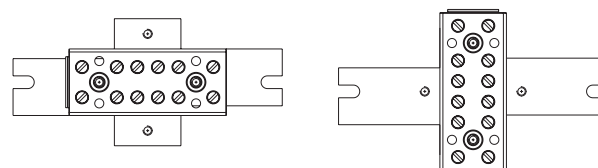
Drill holes side A	Drill holes side B	No. of DU*	No. of PE*	Order No.
2 x M20x1.5	2 x M20x1.5	6	0	8000004210



Note All enclosures are equipped with an external earth stud connection. *DU = feed-through terminals, PE = PE terminals

Terminal rail / mounting plate set

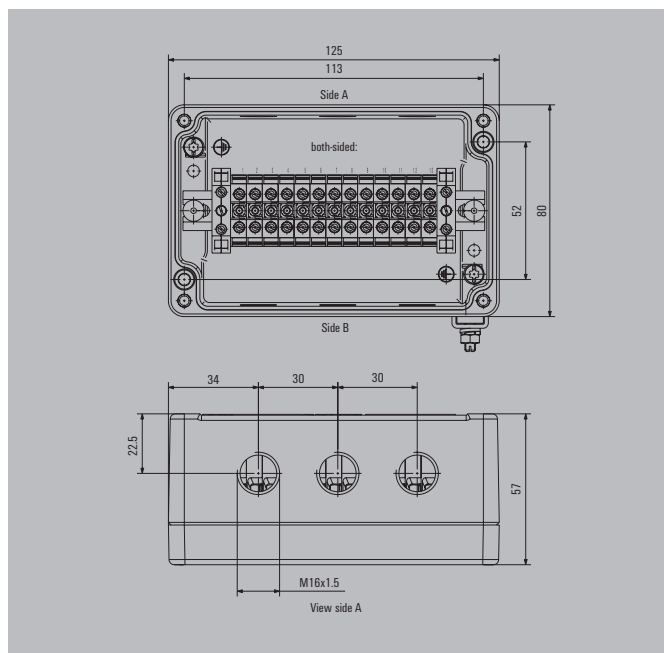
Product type	Type	Length	Order No.
Mounting plate	MOPL K2 BKVARIO SET	89 mm	8000004496
Mounting rail	TS15 90 Klippon K2 CSS	90 mm	1910010000




Note Supplied with mounting screws for the mounting rail or mounting plate



Height / Width / Depth 80 / 125 / 57 mm



Accessories

Stopping plugs	Order No.
 KSPM M16 PL	1209890000
VP M16-EXE MS	1737140000

Empty enclosure with tapped holes

Drill holes side A	Drill holes side B	Order No.
3 x M16x1.5	3 x M16x1.5	8000004152

Note All enclosures are natural finish (unpainted).

Note You can find markers and labels in the Terminal Block Catalogue. Wall-mounting options can be found in Chapter B under Klippon® K

Terminal block, suitable for empty enclosure

Type	Type of connection	Conductor can be clamped	Rated cross-section	No. of DU*	No. of PE*	Order No.
AKZ 4	Screw connection	Solid / stranded Flexible / flexible with wire-end ferrule	0.5..6 mm ² / 1.5..4 mm ² 0.5..4 mm ² / 0.5..2.5 mm ²	13	2	8000004134
ZDUA 2.5-2	Tension clamp connection	Solid / stranded Flexible / flexible with wire-end ferrule	0.5..4 mm ² / ... 0.5..2.5 mm ² / 0.5..1.5 mm ²	14	2	8000004133

Note Markers numbered 1-50 (horizontal text) and mounting screws are included in the delivery. *DU = feed-through terminals, PE = PE terminals

Distribution box with ATEX II 2GD T85°C Ex e II T6

Drill holes side A	Drill holes side B	No. of DU*	No. of PE*	Order No.
3 x M16x1.5	3 x M16x1.5	13	2	8000004212
3 x M16x1.5	3 x M16x1.5	14	2	8000004211

Note All enclosures are equipped with an external earth stud connection. *DU = feed-through terminals, PE = PE terminals

Terminal rail / mounting plate set

Product type	Type	Length	Order No.
 Mounting rail	TS15 114 Klippon K21 CSS	114 mm	1910020000

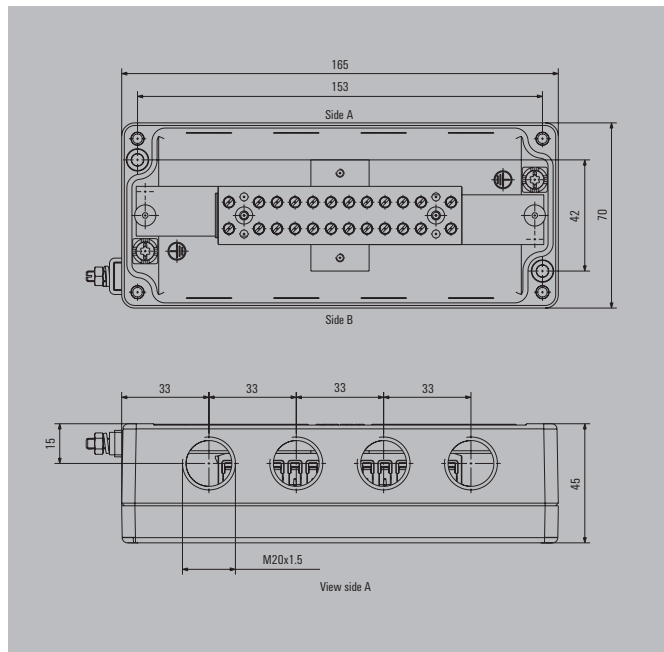
Note Supplied with mounting screws for the mounting rail or mounting plate

Klippon® K3

45 mm



Height / Width / Depth 70 / 165 / 45 mm



Empty enclosure with tapped holes

Drill holes side A	Drill holes side B	Order No.
4 x M20x1.5	4 x M20x1.5	8000004153

Note All enclosures are natural finish (unpainted).

Terminal block, suitable for empty enclosure

Type	Type of connection	Conductor can be clamped	Rated cross-section	No. of DU*	No. of PE*	Order No.
BK 12/E	Screw connection	Solid / stranded Flexible / flexible with wire-end ferrule	0.5...4 mm ² / 1.5...4 mm ² 0.5...4 mm ² / 0.5...4 mm ²	12	0	8000004135

Note Supplied with mounting screws.
*DU = feed-through terminals, PE = PE terminals

Distribution box with ATEX II 2GD T85°C Ex e II T6

Drill holes side A	Drill holes side B	No. of DU*	No. of PE*	Order No.
4 x M20x1.5	4 x M20x1.5	12	0	8000004213

Note All enclosures are equipped with an external earth stud connection.
*DU = feed-through terminals, PE = PE terminals

Accessories

Cable glands	Order No.
KSG M20 BN O NI 2 G20	1911560000
Stopping plugs	Order No.
KSPM M20 PL	1209910000
VP M20-EXE MS	1737150000
Adapters	Order No.
ADAP EX M20-M16	1737560000

Note You can find markers and labels in the Terminal Block Catalogue. Wall-mounting options can be found in Chapter B under Klippon® K

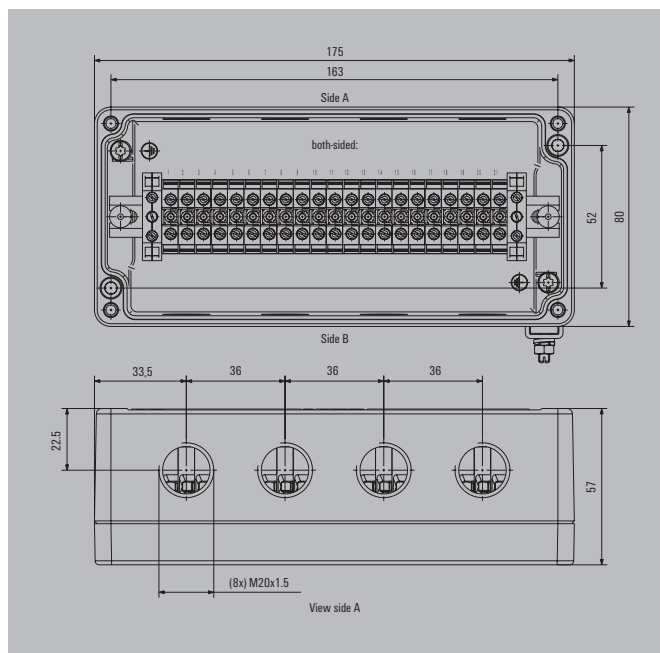
Terminal rail / mounting plate set

Product type	Type	Length	Order No.
Mounting plate	MOPL K3 BKVARIO SET	154 mm	8000004497
Mounting rail	TS15 155 Klippon K3 CSS	155 mm	1910030000

Note Supplied with mounting screws for the mounting rail or mounting plate



Height / Width / Depth 80 / 175 / 57 mm



Empty enclosure with tapped holes

	Drill holes side A	Drill holes side B	Order No.
	4 x M20x1.5	4 x M20x1.5	8000004154

Note All enclosures are natural finish (unpainted).

Terminal block, suitable for empty enclosure

	Type	Type of connection	Conductor can be clamped	Rated cross-section	No. of DU*	No. of PE*	Order No.
	AKZ 4	Screw connection	Solid / stranded Flexible / flexible with wire-end ferrule	0.5..6 mm ² / 1.5..4 mm ² 0.5..4 mm ² / 0.5..2.5 mm ²	21	2	8000004137
	ZDUA 2.5-2	Tension clamp connection	Solid / stranded Flexible / flexible with wire-end ferrule	0.5..4 mm ² / ... 0.5..2.5 mm ² / 0.5..1.5 mm ²	24	2	8000004136

Note Markers numbered 1-50 (horizontal text) and mounting screws are included in the delivery.
*DU = feed-through terminals, PE = PE terminals

Distribution box with ATEX II 2GD T85°C Ex e II T6

Drill holes side A	Drill holes side B	No. of DU*	No. of PE*	Order No.
4 x M20x1.5	4 x M20x1.5	21	2	8000004215
4 x M20x1.5	4 x M20x1.5	24	2	8000004214

Note All enclosures are equipped with an external earth stud connection.
*DU = feed-through terminals, PE = PE terminals



Accessories

	Cable glands	Order No.
	KSG M20 BN O NI 2 G20	1911560000
Stopping plugs		
	KSPM M20 PL	1209910000
	VP M20-EXE MS	1737150000
Adapters		
	ADAP EX M20-M16	1737560000

Note You can find markers and labels in the Terminal Block Catalogue. Wall-mounting options can be found in Chapter B under Klippon® K

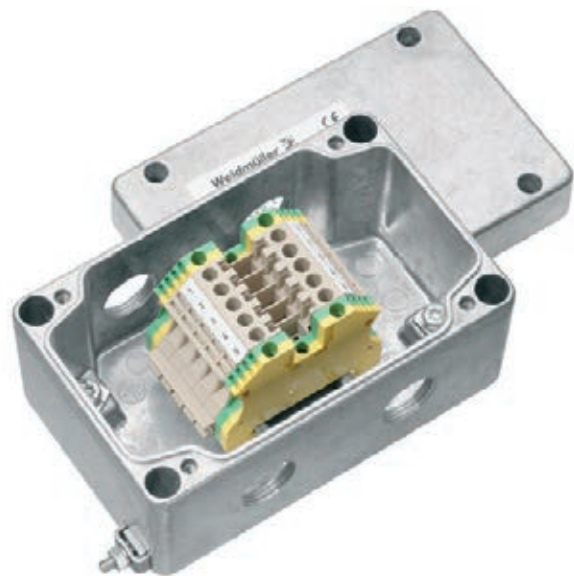
Terminal rail / mounting plate set

Product type	Type	Length	Order No.
	Mounting rail TS15 164 Klippon K31 CSS	164 mm	1910040000

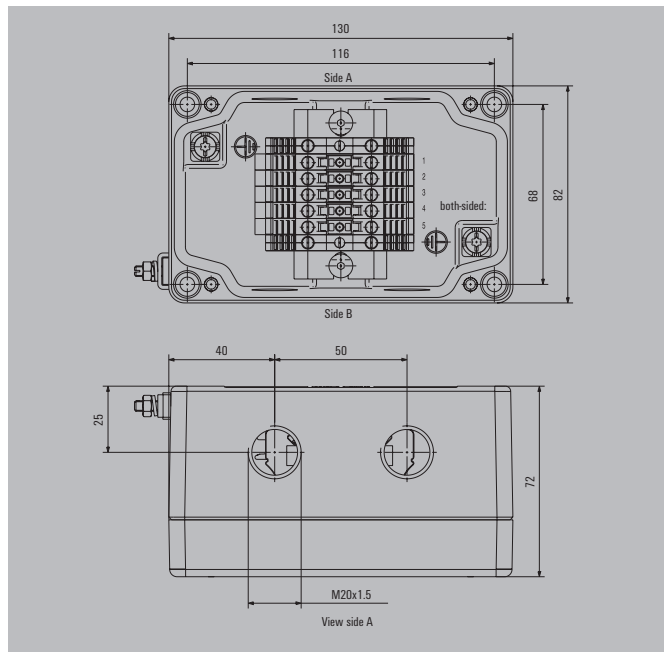
Note Supplied with mounting screws for the mounting rail or mounting plate

Klippon® K4

72 mm



Height / Width / Depth 82 / 130 / 72 mm



Empty enclosure with tapped holes

	Drill holes side A	Drill holes side B	Order No.
	2 x M20x1.5	2 x M20x1.5	8000004155

Note All enclosures are natural finish (unpainted).

Terminal block, suitable for empty enclosure

	Type	Type of connection	Conductor can be clamped	Rated cross-section	No. of DU*	No. of PE*	Order No.
	ZDU 4-2/3AN	Tension clamp connection	Solid / stranded	0.5..6 mm ² / ...	4	1	8000004139
			Flexible / flexible with wire-end ferrule	0.5..4 mm ² / 0.5..4 mm ²			
	WDU 4	Screw connection	Solid / stranded	0.5..6 mm ² / 1.5..6 mm ²	5	2	8000004138
			Flexible / flexible with wire-end ferrule	0.5..6 mm ² / 0.5..4 mm ²			

Note Markers numbered 1-50 (horizontal text) and mounting screws are included in the delivery.
*DU = feed-through terminals, PE = PE terminals

Distribution box with ATEX II 2GD T85°C Ex e II T6

Drill holes side A	Drill holes side B	No. of DU*	No. of PE*	Order No.
2 x M20x1.5	2 x M20x1.5	5	2	8000004216
2 x M20x1.5	2 x M20x1.5	4	1	8000004217



All enclosures are equipped with an external earth stud connection.
*DU = feed-through terminals, PE = PE terminals

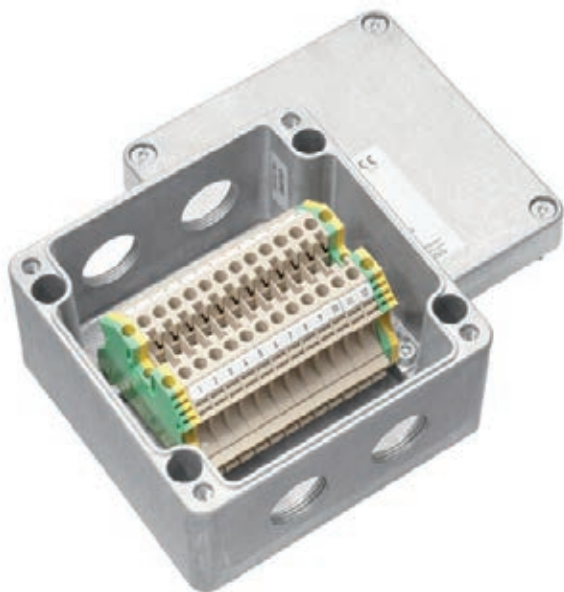
Accessories

	Cable glands	Order No.
	KSG M20 BN O NI 2 G20	1911560000
Stopping plugs		
	KSPM M20 PL	1209910000
	VP M20-EXE MS	1737150000
Adapters		
	ADAP EX M20-M16	1737560000

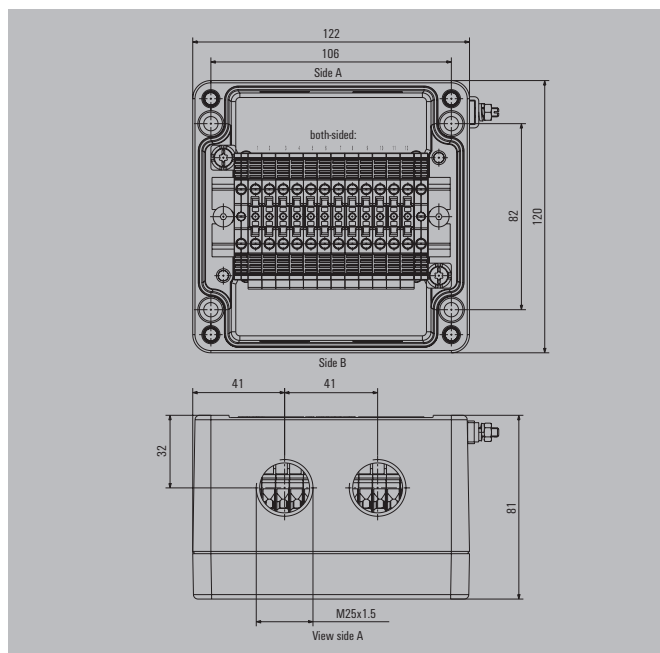
Note You can find markers and labels in the Terminal Block Catalogue. Wall-mounting options can be found in Chapter B under Klippon® K

Terminal rail / mounting plate set

Product type	Type	Length	Order No.
Mounting rail	TS35 64 Klippon K4K11	64 mm	1910060000



Height / Width / Depth 120 / 122 / 81 mm



Empty enclosure with tapped holes

	Drill holes side A	Drill holes side B	Order No.
	2 x M25x1.5	2 x M25x1.5	8000003446
	3 x M20x1.5	3 x M20x1.5	8000003447

Note All enclosures are natural finish (unpainted).

Accessories

Cable glands		Order No.
	KSG M20 BN O NI 2 G20	1911560000
	KSG M25 BN O NI 2 G25	1911570000
Stopping plugs		Order No.
	KSPM M20 PL	1209910000
	KSPM M25 PL	1209920000
	VP M20-EXE MS	1737150000
	VP M25-EXE MS	1737160000
Adapters		Order No.
	ADAP EX M25-M16	1737550000
	ADAP EX M25-M20	1737710000

Note You can find markers and labels in the Terminal Block Catalogue. Wall-mounting options can be found in Chapter B under Klippon® K

Terminal block, suitable for empty enclosure

Type	Type of connection	Conductor can be clamped	Rated cross-section	No. of DU*	No. of PE*	Order No.	
	ZDU 4-2/3AN	Tension clamp connection	Solid / stranded Flexible / flexible with wire-end ferrule	0.5..6 mm ² / ... 0.5..4 mm ² / 0.5..4 mm ²	9	2	8000003445
	WDU 4	Screw connection	Solid / stranded Flexible / flexible with wire-end ferrule	0.5..6 mm ² / 1.5..6 mm ² 0.5..6 mm ² / 0.5..4 mm ²	12	2	8000003444

Note Markers numbered 1-50 (horizontal text) and mounting screws are included in the delivery.
*DU = feed-through terminals, PE = PE terminals

Distribution box with ATEX II 2GD T85°C Ex e II T6

Drill holes side A	Drill holes side B	No. of DU*	No. of PE*	Order No.
3 x M20x1.5	3 x M20x1.5	12	2	8000003591
3 x M20x1.5	3 x M20x1.5	9	2	8000003592
2 x M25x1.5	2 x M25x1.5	12	2	8000003589
2 x M25x1.5	2 x M25x1.5	9	2	8000003590



Note All enclosures are equipped with an external earth stud connection.
*DU = feed-through terminals, PE = PE terminals

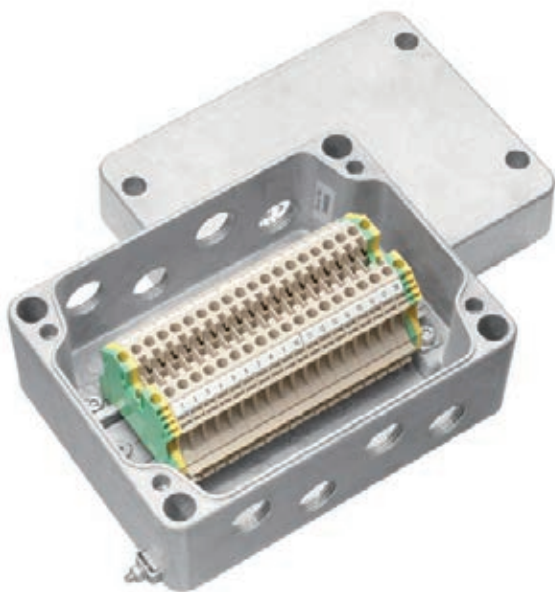
Terminal rail / mounting plate set

Product type	Type	Length	Order No.
	Mounting rail TS35 105 Klippon K41/POK4	105 mm	1910070000

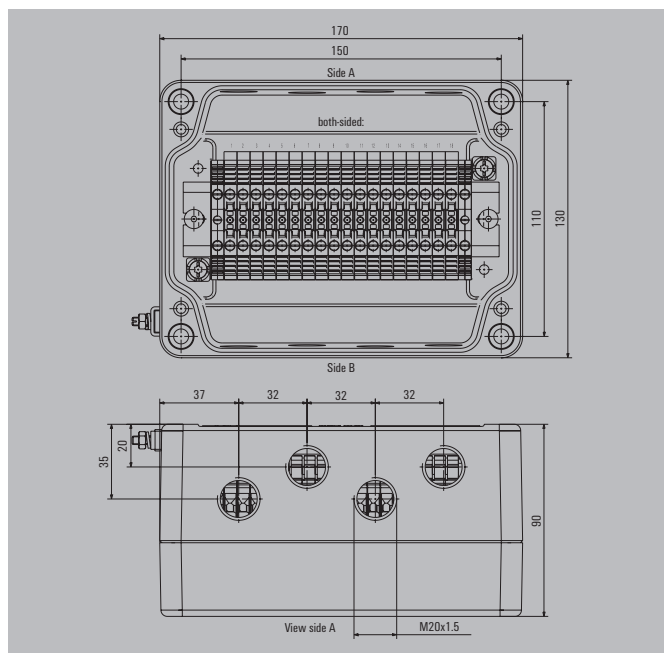
Note Supplied with mounting screws for the mounting rail or mounting plate

Klippon® K5

90 mm



Height / Width / Depth 130 / 170 / 90 mm



Empty enclosure with tapped holes

	Drill holes side A	Drill holes side B	Order No.
	4 x M20x1.5	4 x M20x1.5	8000004158

Note All enclosures are natural finish (unpainted).

Accessories

Accessories	Order No.
Cable glands	
KSG M20 BN O NI 2 G20	1911560000
Stopping plugs	
KSPM M20 PL	1209910000
VP M20-EXE MS	1737150000
Adapters	
ADAP EX M20-M16	1737560000

Note You can find markers and labels in the Terminal Block Catalogue. Wall-mounting options can be found in Chapter B under Klippon® K

Terminal block, suitable for empty enclosure

Type	Type of connection	Conductor can be clamped	Rated cross-section	No. of DU*	No. of PE*	Order No.
	Tension clamp connection	Solid / stranded	0.5..6 mm ² / ...	15	2	8000004141
		Flexible / flexible with wire-end ferrule	0.5..4 mm ² / 0.5..4 mm ²			
WDU 4	Screw connection	Solid / stranded	0.5..6 mm ² / 1.5..6 mm ²	17	2	8000004140
		Flexible / flexible with wire-end ferrule	0.5..6 mm ² / 0.5..4 mm ²			

Note Markers numbered 1-50 (horizontal text) and mounting screws are included in the delivery.
*DU = feed-through terminals, PE = PE terminals

Distribution box with ATEX II 2GD T85°C Ex e II T6

Drill holes side A	Drill holes side B	No. of DU*	No. of PE*	Order No.
4 x M20x1.5	4 x M20x1.5	17	2	8000004218
4 x M20x1.5	4 x M20x1.5	15	2	8000004219

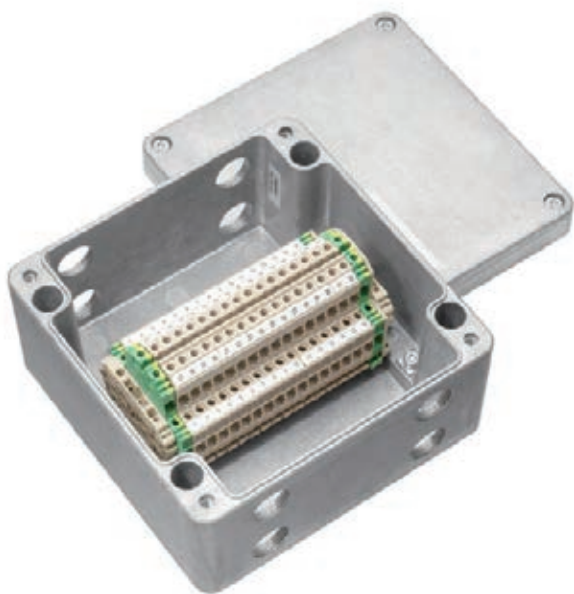


Note All enclosures are equipped with an external earth stud connection.
*DU = feed-through terminals, PE = PE terminals

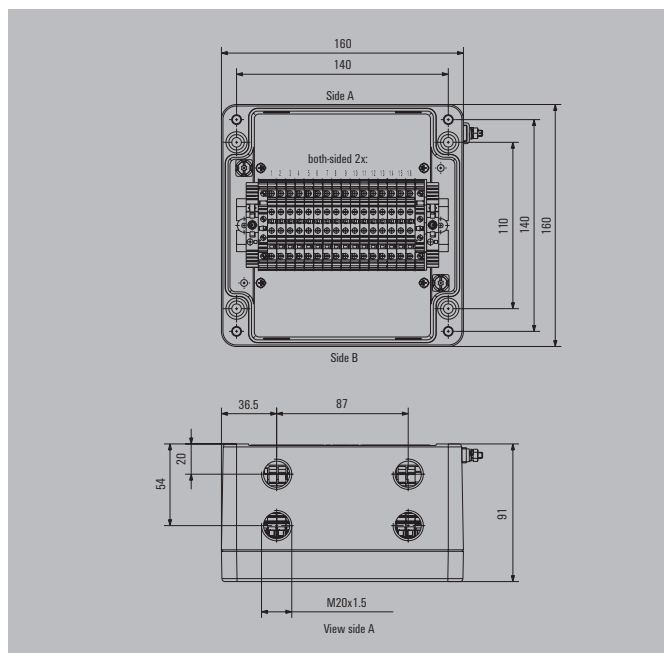
Terminal rail / mounting plate set

Product type	Type	Length	Order No.
Mounting rail	TS35/148 KLIPPON K5 CSS	148 mm	1910080000

Note Supplied with mounting screws for the mounting rail or mounting plate



Height / Width / Depth 160 / 160 / 91 mm






Empty enclosure with tapped holes

	Drill holes side A	Drill holes side B	Order No.
	4 x M20x1.5	4 x M20x1.5	8000004159


Note All enclosures are unpainted

Accessories

Accessories	Order No.
 Cable glands KSG M20 BN O NI 2 G20	1911560000
 Stopping plugs KSPM M16 PL VP M20-EXE MS	1209890000 1737150000
 Adapters ADAP EX M20-M16	1737560000

Note You can find markers and labels in the Terminal Block Catalogue. Wall-mounting options can be found in Chapter B under Klippon® K

Terminal block, suitable for empty enclosure

Type	Type of connection	Conductor can be clamped	Rated cross-section	No. of DU*	No. of PE*	Order No.
 ZDK 2.5	Tension clamp connection	Solid / stranded Flexible / flexible with wire-end ferrule	0.5...2.5 mm ² / ... 0.5...2.5 mm ² / 0.5...2.5 mm ²	19	2	8000004143
WDK 4N	Screw connection	Solid / stranded Flexible / flexible with wire-end ferrule	0.5...6 mm ² / 1.5...6 mm ² 0.5...4 mm ² / 0.5...4 mm ²	16	2	8000004142

Note Markers numbered 1-50 (horizontal text) and mounting screws are included in the delivery.
*DU = feed-through terminals, PE = PE terminals

Distribution box with ATEX II 2GD T85°C Ex e II T6

Drill holes side A	Drill holes side B	No. of DU*	No. of PE*	Order No.
4 x M20x1.5	4 x M20x1.5	16	2	8000004220
4 x M20x1.5	4 x M20x1.5	19	2	8000004221

Note All enclosures are equipped with an external earth stud connection.
*DU = feed-through terminals, PE = PE terminals



Terminal rail / mounting plate set

Product type	Type	Length	Order No.
 Mounting rail	TS35/140 Klippon K52 POK51	140 mm	1910100000

Note Supplied with mounting screws for the mounting rail or mounting plate

Klippon® POK – Polyester enclosures

The Klippon® POK range is based on a high-quality glass fibre-reinforced polyester enclosure which represents an economical solution for electrical connections. The enclosures are ideal wherever corrosion resistance, impact resistance and a high IP protection class are required.

Features of the enclosure range:

- 17 sizes and 2 versions
- Stainless Steel lid screws
- Fixing holes located outside the sealed area
- Threaded holes for mounting rails
- Approved to the latest international standards

Our assembly service can supply these enclosures preassembled with terminals and cable glands according to customer requirements.



Overview of enclosures

Ordering data

Description	Dimensions in mm	Standard	Ex Enclosures
Klippon® POK 1	75 x 80 x 56	1277200000	9510210000
Klippon® POK 2	75 x 110 x 56	1277300000	9510220000
Klippon® POK 3	75 x 160 x 56	1277400000	9510320000
Klippon® POK 31	75 x 190 x 56	1565400000	9510330000
Klippon® POK 32	75 x 230 x 56	9510510000	9510340000
Klippon® POK 4	120 x 122 x 91	1277500000	9510230000
Klippon® POK 5	120 x 220 x 91	1277600000	9510240000
Klippon® POK 51	160 x 160 x 91	1565410000	9510250000
Klippon® POK 6	160 x 260 x 91	1277700000	9510260000
Klippon® POK 7	160 x 360 x 91	1277800000	9510270000
Klippon® POK 71	160 x 560 x 91	9510520000	9510350000
Klippon® POK 8	250 x 255 x 121	1565420000	9510280000
Klippon® POK 9	250 x 400 x 121	1565430000	9510290000
Klippon® POK 91	250 x 600 x 121	9510470000	9510300000
Klippon® POK 10	405 x 400 x 121	1565440000	9510310000
Klippon® POK 11	250 x 255 x 161	9510530000	9510360000
Klippon® POK 12	250 x 400 x 161	9510540000	9510370000

Note

Technical Overview

Features

- For use in hazardous area and industrial applications
- Extremely robust and impact resistant due to the high amount of glass fibre
- Approved to the latest international standards (e.g. ATEX, cULus, GOST)

Note The enclosure range Klippon® POK can be assembled with terminals or other approved equipment by our Application-Specific Solutions service.

Technical data

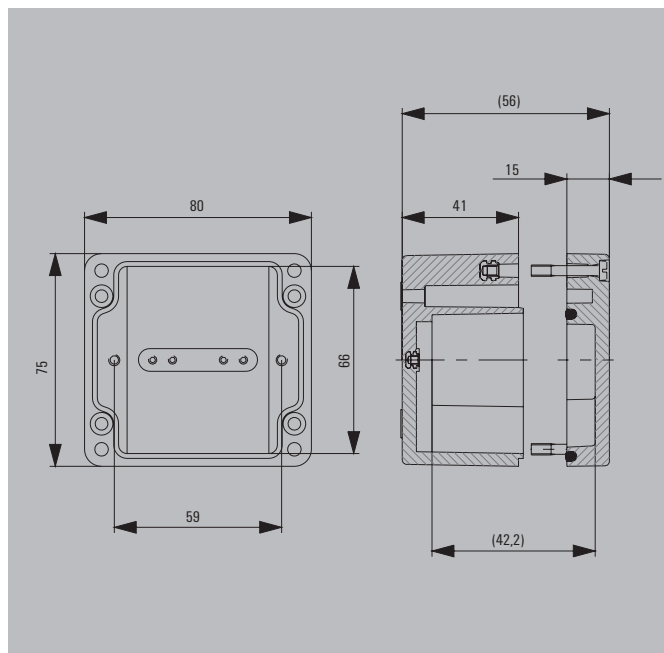
	Ex	Standard
Enclosure material	Glass fibre-reinforced polyester to DIN 16913 with added graphite	Glass fibre-reinforced polyester to DIN 16913
Surface	Black, similar to RAL 9011	Grey, similar to RAL7001
IP Rating	IP 66	IP 66
Equipment mounting	M4 to M6 threaded bushes	M4 to M6 threaded bushes
Enclosure mounting	4 holes for M4 to M6 screw	4 holes for M4 to M6 screws
Lid fixing	M4/M6 slothead / crosshead screws from stainless steel	M4/M6 slothead / crosshead screws from stainless steel
Impact Resistance	7J	7J
Gasket material	Silicone (VMQ)	Chloroprene
Temperature range	-55 °C...+100 °C	-40 °C...+90 °C
Torque screws of lid M4*	2.0 - 2.5 Nm	2.0 - 2.5 Nm
Torque screws of lid M6*	2.5 - 3.0 Nm	2.5 - 3.0 Nm
Flammability	UL94 V0	UL94 V0
Toxicity	Halogen and cadmium-free	Halogen and cadmium-free
Note	We deliver enclosures through our assembly service which are ready to be connected and suitable for every application * Depending on the screw head size, the lid can be fastened using either our slotted or cross-head screwdrivers	

Approvals for empty enclosures

	Ex	Standard
ATEX certificate	KEMA 02ATEX2078 U	
ATEX marking	II 2 GD Ex e II	
GOST Ex	POCC DE.ME92.B01149	
GOST	POCC DE.ME25.B01450	POCC DE.ME25.B01450
cULus		E 223801
Lloyds Register		07/20008
Russian Maritime Register	11040200	11040200
Germanischer Lloyd		4453607 HH
Installation	The Klippon® POK enclosure range can be pre-fitted in our customer specific production department according to your wishes; as an example, terminals, or other approved components, can be installed as required.	
	This enclosure range is component certified. An additional certifications is required, when other electronic equipment will be installed into the enclosure.	

Approvals terminal enclosures

	Ex	Standard
ATEX certificate	KEMA 03ATEX2077	
ATEX marking	⊕ II 2 GD T85°C/T100°C Ex e II T6/T5 ⊕ II 2 (1) GD T85°C/T100°C Ex e [ia] IIC T6/T5 ⊕ II GD T85°C/T100°C Ex ia IIC T6/T5	
	IP64/IP65/IP66	
Note	If you have specific requirements of equipment in hazardous area applications, please contact Weidmüller to get a copy of the complete certificates.	



Height/Width/Depth 75 / 80 / 56 mm

Ordering data

RAL 7001	Standard, grey	Order No.	1277200000
RAL 9011	Ex environment enclosure, black	Order No.	9510210000

Note The overview page lists the ambient temperatures. Colour variations may occur under certain circumstances.

Accessories

Terminal rail, Set	Order No.
15 mm width	1928060000
Mounting plate	Order No.
Steel sheet, zinc plated	9510570000
Hinge, diecast zinc, Set	Order No.
	1580360000
Brass Earth Continuity Plate	Order No.
	1390910000
External mounting feet, set of 4	Order No.
	9510900000

Note Accessories described above as sets, are supplied with fixing materials. For this enclosure only one hinge is required to be fitted to the longest side.

Max. number of terminals (industry)

Assembly with terminal	vertical	horizontal
2.5 mm ²	1x1*	1x5
4 mm ²	1x1*	1x4
6 mm ²		
10 mm ²		
16 mm ²		



Note *Please refer to the Terminal Block Catalogue or the SAK Range for more information about populating the enclosures with terminal blocks. We recommend at most one BK 6 or BK 6 CRN (0625220000) in vertical installations. There are no pre-defined mounting points set within this enclosure for installing internal equipment in a vertical position.

Number of cable entries

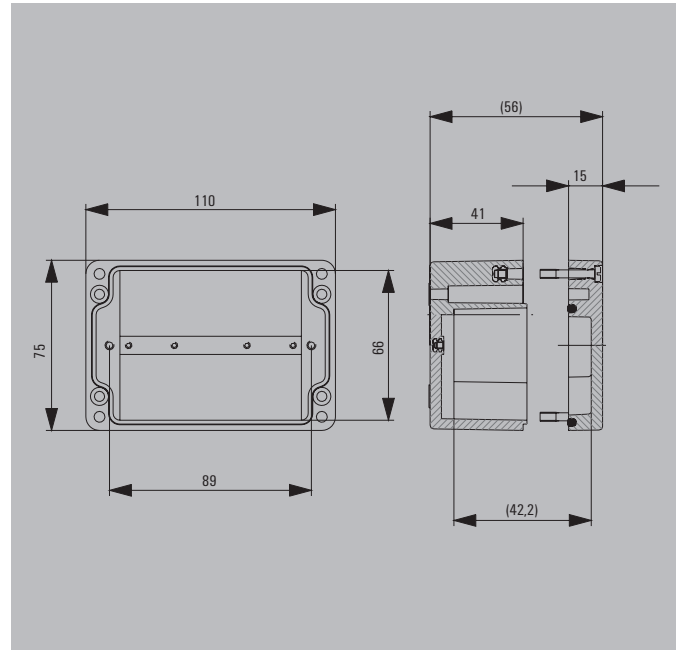
Number of cable entries	A / B	C / D
M12	4	1
M16	2	1
M20	1	1
M25	1	
M32		
M40		
M50		
M63		



Note **Our IP 68 plastic cable glands fitted without a brass plate (cruciform) serve as a reference for these recommended values.

Klippon® POK 2

Depth 56 mm



Height/Width/Depth 75 / 110 / 56 mm

Ordering data

RAL 7001	Standard, grey	Order No.	1277300000
RAL 9011	Ex environment enclosure, black	Order No.	9510220000

Note The overview page lists the ambient temperatures. Colour variations may occur under certain circumstances.

Accessories

Terminal rail, Set	15 mm width	Order No.	1928070000
Mounting plate	Steel sheet, zinc plated	Order No.	9510580000
Hinge, diecast zinc, Set		Order No.	1580360000
Brass Earth Continuity Plate		Order No.	1390920000
External mounting feet, set of 4		Order No.	9510900000

Note Accessories described above as sets, are supplied with fixing materials. For this enclosure only one hinge is required to be fitted to the longest side.

Max. number of terminals (industry)

Assembly with terminal	vertical	horizontal
2.5 mm ²	1x1*	1x10
4 mm ²	1x1*	1x9
6 mm ²		
10 mm ²		
16 mm ²		



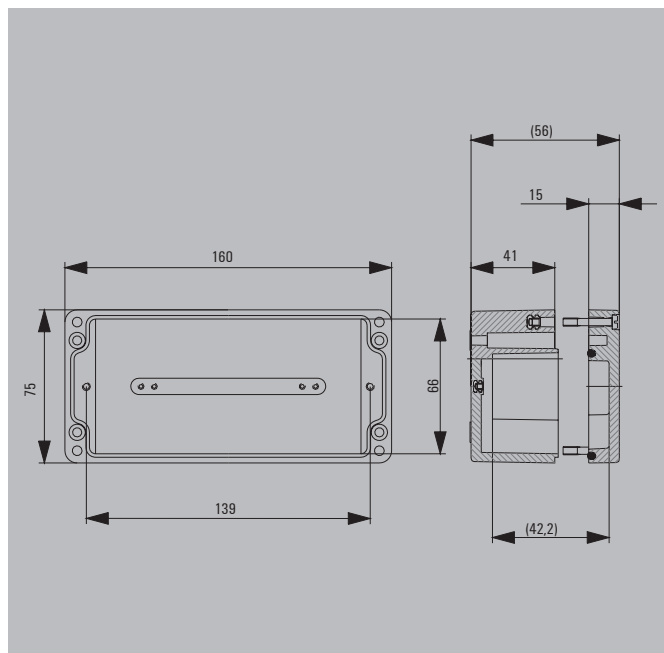
Note *Please refer to the Terminal Block Catalogue or the SAK Range for more information about populating the enclosures with terminal blocks. We recommend at most one BK 6 or BK 6 CRN (0625220000) in vertical installations. There are no pre-defined mounting points set within this enclosure for installing internal equipment in a vertical position.

Number of cable entries

Number of cable entries	A / B	C / D
M12	7	1
M16	3	1
M20	2	1
M25	2	
M32		
M40		
M50		
M63		



Note **Our IP 68 plastic cable glands fitted without a brass plate (cruciform) serve as a reference for these recommended values.



Height/Width/Depth 75 / 160 / 56 mm

Ordering data

RAL 7001	Standard, grey	Order No.	1277400000
RAL 9011	Ex environment enclosure, black	Order No.	9510320000

Note The overview page lists the ambient temperatures. Colour variations may occur under certain circumstances.

Accessories

Terminal rail, Set	Order No.
15 mm width	1928080000
Mounting plate	Order No.
Steel sheet, zinc plated	9510680000
Hinge, diecast zinc, Set	Order No.
	1580360000
Brass Earth Continuity Plate	Order No.
	1390930000
External mounting feet, set of 4	Order No.
	9510900000

Note Accessories described above as sets, are supplied with fixing materials. For this enclosure only one hinge is required to be fitted to the longest side.

Max. number of terminals (industry)

Assembly with terminal	vertical	horizontal
2.5 mm ²	*	1x20
4 mm ²	*	1x17
6 mm ²		
10 mm ²		
16 mm ²		



Note *Please refer to the Terminal Block Catalogue or the SAK Range for more information about populating the enclosures with terminal blocks. We recommend at most one BK 6 or BK 6 CRN (0625220000) in vertical installations. There are no pre-defined mounting points set within this enclosure for installing internal equipment in a vertical position.

Number of cable entries

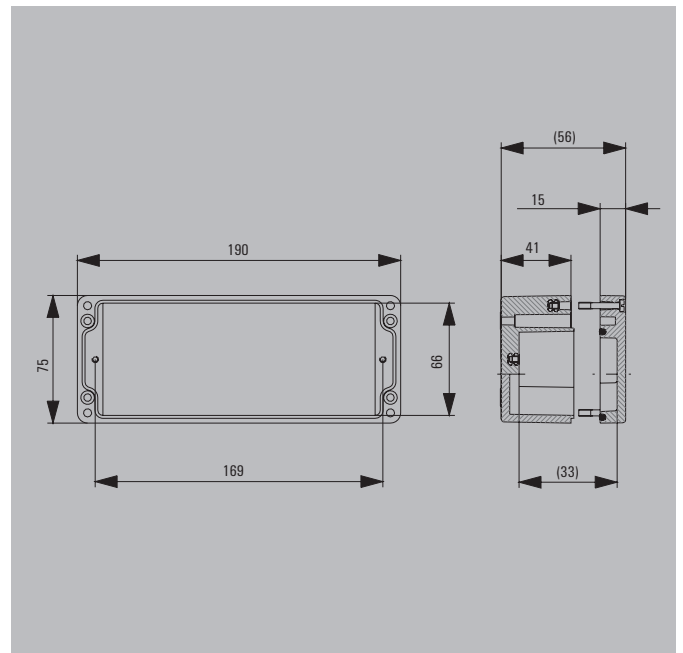
Number of cable entries	A / B	C / D
M12	11	1
M16	5	1
M20	4	1
M25	3	
M32		
M40		
M50		
M63		



Note **Our IP 68 plastic cable glands fitted without a brass plate (cruciform) serve as a reference for these recommended values.

Klippon® POK 31

Depth **56 mm**



Height/Width/Depth 75 / 190 / 56 mm

Ordering data

RAL 7001	Standard, grey	Order No.
		1565400000
RAL 9011	Ex environment enclosure, black	Order No.
		9510330000

Note The overview page lists the ambient temperatures. Colour variations may occur under certain circumstances.

Accessories

Terminal rail, Set	Order No.
15 mm width	
Mounting plate	Order No.
Steel sheet, zinc plated	9510690000
Hinge, diecast zinc, Set	Order No.
	1580360000
Brass Earth Continuity Plate	Order No.
	1390940000
External mounting feet, set of 4	Order No.
	9510900000

Note Accessories described above as sets, are supplied with fixing materials. For this enclosure only one hinge is required to be fitted to the longest side.

Max. number of terminals (industry)

Assembly with terminal	vertical	horizontal
2.5 mm ²	*	1x26
4 mm ²	*	1x22
6 mm ²		
10 mm ²		
16 mm ²		



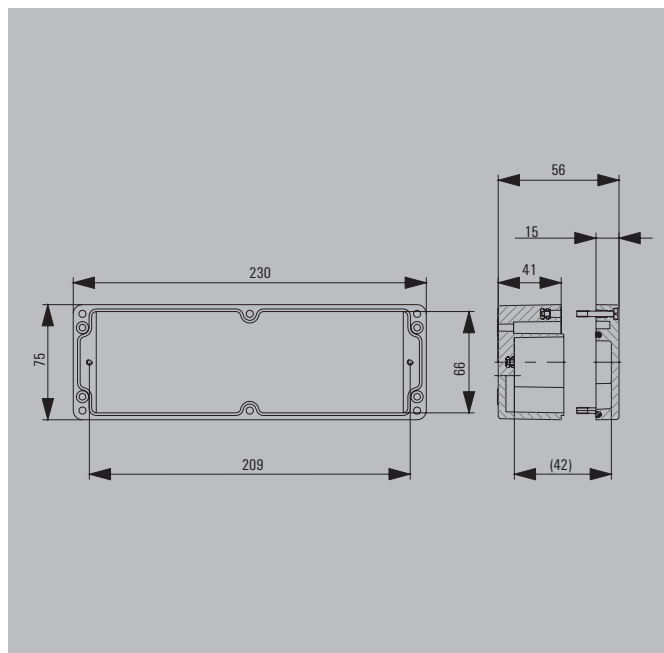
Note *Please refer to the Terminal Block Catalogue or the SAK Range for more information about populating the enclosures with terminal blocks. We recommend at most one BK 6 or BK 6 CRN (0625220000) in vertical installations. There are no pre-defined mounting points set within this enclosure for installing internal equipment in a vertical position.

Number of cable entries

Number of cable entries	A / B	C / D
M12	14	1
M16	6	1
M20	5	1
M25	4	
M32		
M40		
M50		
M63		



Note **Our IP 68 plastic cable glands fitted without a brass plate (cruciform) serve as a reference for these recommended values.



Height/Width/Depth 75 / 230 / 56 mm

Ordering data

RAL 7001	Standard, grey	Order No.	9510510000
RAL 9011	Ex environment enclosure, black	Order No.	9510340000

Note The overview page lists the ambient temperatures. Colour variations may occur under certain circumstances.

Accessories

Terminal rail, Set	15 mm width	Order No.
Mounting plate	Steel sheet, zinc plated	9510700000
Hinge, diecast zinc, Set		1580360000
Brass Earth Continuity Plate		1390950000
External mounting feet, set of 4		9510900000

Note Accessories described above as sets, are supplied with fixing materials. For this enclosure only two hinges are required to be fitted to the longest side.

Max. number of terminals (industry)

Assembly with terminal	vertical	horizontal
2.5 mm ²	*	1x33
4 mm ²	*	1x28
6 mm ²		
10 mm ²		
16 mm ²		



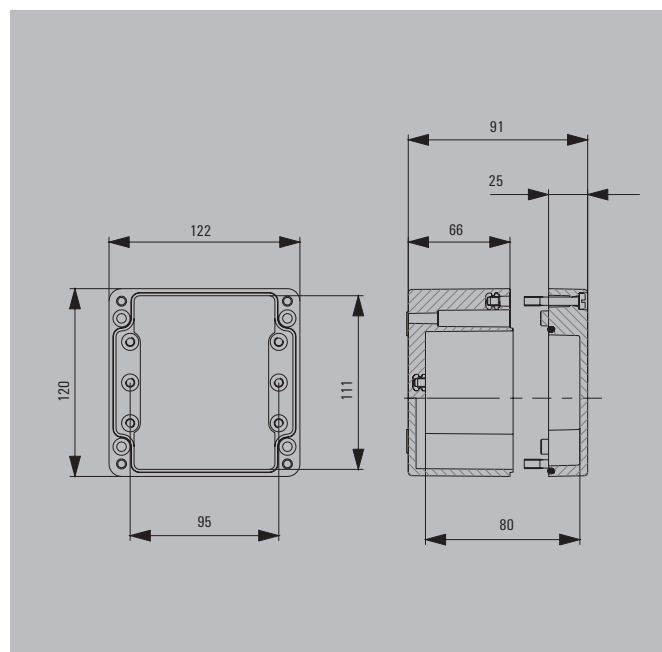
Note *Please refer to the Terminal Block Catalogue or the SAK Range for more information about populating the enclosures with terminal blocks. We recommend at most one BK 6 or BK 6 CRN (0625220000) in vertical installations. There are no pre-defined mounting points set within this enclosure for installing internal equipment in a vertical position.

Number of cable entries

Number of cable entries	A / B	C / D
M12	16	1
M16	6	1
M20	6	1
M25	4	
M32		
M40		
M50		
M63		



Note **Our IP 68 plastic cable glands fitted without a brass plate (cruciform) serve as a reference for these recommended values.



Height/Width/Depth 120 / 122 / 91 mm

Ordering data

RAL 7001	Standard, grey	Order No.	1277500000
RAL 9011	Ex environment enclosure, black	Order No.	9510230000

Note The overview page lists the ambient temperatures. Colour variations may occur under certain circumstances.

Accessories

Terminal rail, Set	15 mm width	Order No.	1928110000
Mounting plate	Steel sheet, zinc plated	Order No.	9510590000
Hinge, diecast zinc, Set		Order No.	1580360000
Brass Earth Continuity Plate		Order No.	1390970000
External mounting feet, set of 4		Order No.	9510910000

Note Accessories described above as sets, are supplied with fixing materials. For this enclosure only two hinges are required to be fitted to the longest side.

Max. number of terminals (industry)

Assembly with terminal	vertical	horizontal
2.5 mm ²	*	1x12
4 mm ²	*	1x10
6 mm ²	*	1x7
10 mm ²	*	1x6
16 mm ²	*	1x5



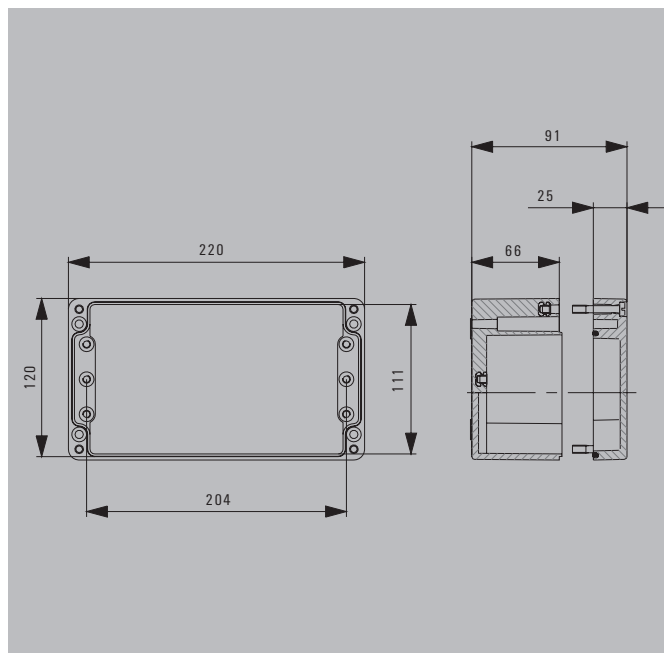
Note The mounting rails are designed to be installed directly. Assembly with terminals provides for 10 mm clearance to the ends of the mounting rail. Ordering recommendations: TS 35 mounting rail (screw-type terminals) WDU 2.5 1020000000 / (tension clamp terminals) ZDU 2.5 1608510000 *There are no pre-defined mounting points set within this enclosure for installing internal equipment in a vertical position.

Number of cable entries

Number of cable entries	A / B	C / D
M12	12	8
M16	6	4
M20	4	3
M25	2	1
M32	1	1
M40		
M50		
M63		



Note **Our IP 68 plastic cable glands fitted without a brass plate (cruciform) serve as a reference for these recommended values.



Height/Width/Depth 120 / 220 / 91 mm

Ordering data

RAL 7001	Standard, grey	Order No.	1277600000
RAL 9011	Ex environment enclosure, black	Order No.	9510240000

Note The overview page lists the ambient temperatures. Colour variations may occur under certain circumstances.

Accessories

Terminal rail, Set	15 mm width	Order No.
Mounting plate	Steel sheet, zinc plated	9510600000
Hinge, diecast zinc, Set		1580360000
Brass Earth Continuity Plate		1390980000
External mounting feet, set of 4		9510910000

Note Accessories described above as sets, are supplied with fixing materials. For this enclosure only two hinges are required to be fitted to the longest side.

Max. number of terminals (industry)

Assembly with terminal	vertical	horizontal
2.5 mm ²	*	1x31
4 mm ²	*	1x26
6 mm ²	*	1x19
10 mm ²	*	1x15
16 mm ²	*	1x13



Note The mounting rails are designed to be installed directly. Assembly with terminals provides for 10 mm clearance to the ends of the mounting rail. Ordering recommendations: TS 35 mounting rail (screw-type terminals) WDU 2.5 1020000000 / (tension clamp terminals) ZDU 2.5 1608510000 *There are no pre-defined mounting points set within this enclosure for installing internal equipment in a vertical position.

Number of cable entries

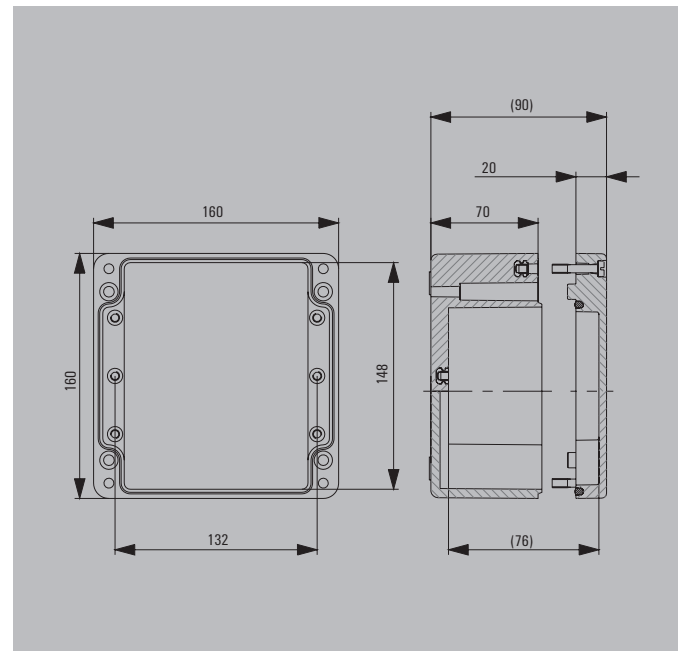
Number of cable entries	A / B	C / D
M12	24	8
M16	14	4
M20	12	3
M25	5	1
M32	4	1
M40	3	
M50		
M63		



Note **Our IP 68 plastic cable glands fitted without a brass plate (cruciform) serve as a reference for these recommended values.

Klippon® POK 51

Depth **91 mm**



Height/Width/Depth 160 / 160 / 91 mm

Ordering data

RAL 7001	Standard, grey	Order No.
		1565410000
RAL 9011	Ex environment enclosure, black	Order No.
		9510250000

Note The overview page lists the ambient temperatures. Colour variations may occur under certain circumstances.

Accessories

Terminal rail, Set	Order No.
15 mm width	1928130000
Mounting plate	Order No.
Steel sheet, zinc plated	9510610000
Hinge, diecast zinc, Set	Order No.
	1580360000
Brass Earth Continuity Plate	Order No.
	1390990000
External mounting feet, set of 4	Order No.
	9510910000

Note Accessories described above as sets, are supplied with fixing materials. For this enclosure only two hinges are required to be fitted to the longest side.

Max. number of terminals (industry)

Assembly with terminal	vertical	horizontal
2.5 mm ²	*	1x17
4 mm ²	*	1x14
6 mm ²	*	1x11
10 mm ²	*	1x9
16 mm ²	*	1x7

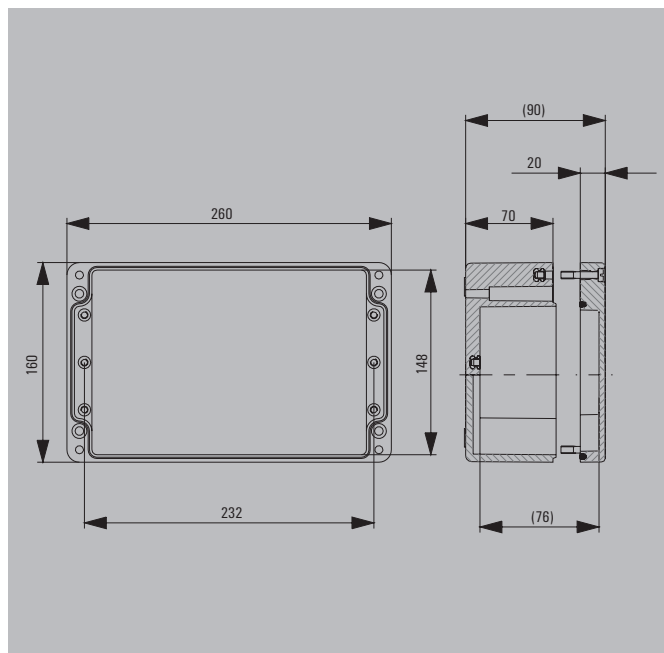


Note The mounting rails are designed to be installed directly. Assembly with terminals provides for 10 mm clearance to the ends of the mounting rail. Ordering recommendations: TS 35 mounting rail (screw-type terminals) WDU 2.5 1020000000 / (tension clamp terminals) ZDU 2.5 1608510000 *There are no pre-defined mounting points set within this enclosure for installing internal equipment in a vertical position.

Number of cable entries

Number of cable entries	A / B	C / D
M12	15	11
M16	12	6
M20	6	4
M25	3	2
M32	2	2
M40	2	1
M50		
M63		

Note **Our IP 68 plastic cable glands fitted without a brass plate (cruciform) serve as a reference for these recommended values.



Height/Width/Depth 160 / 260 / 91 mm

Ordering data

RAL 7001	Standard, grey	Order No.
		1277700000
RAL 9011	Ex environment enclosure, black	Order No.
		9510260000

Note The overview page lists the ambient temperatures. Colour variations may occur under certain circumstances.

Accessories

Terminal rail, Set	Order No.
15 mm width	
Mounting plate	Order No.
Steel sheet, zinc plated	9510620000
Hinge, diecast zinc, Set	Order No.
	1580360000
Brass Earth Continuity Plate	Order No.
	1391000000
External mounting feet, set of 4	Order No.
	9510910000

Note Accessories described above as sets, are supplied with fixing materials. For this enclosure only two hinges are required to be fitted to the longest side.

Max. number of terminals (industry)

Assembly with terminal	vertical	horizontal
2.5 mm ²	*	1x36
4 mm ²	*	1x30
6 mm ²	*	1x23
10 mm ²	*	1x16
16 mm ²	*	1x16



Note The mounting rails are designed to be installed directly. Assembly with terminals provides for 10 mm clearance to the ends of the mounting rail. Ordering recommendations: TS 35 mounting rail (screw-type terminals) WDU 2.5 1020000000 / (tension clamp terminals) ZDU 2.5 1608510000 *There are no pre-defined mounting points set within this enclosure for installing internal equipment in a vertical position.

Number of cable entries

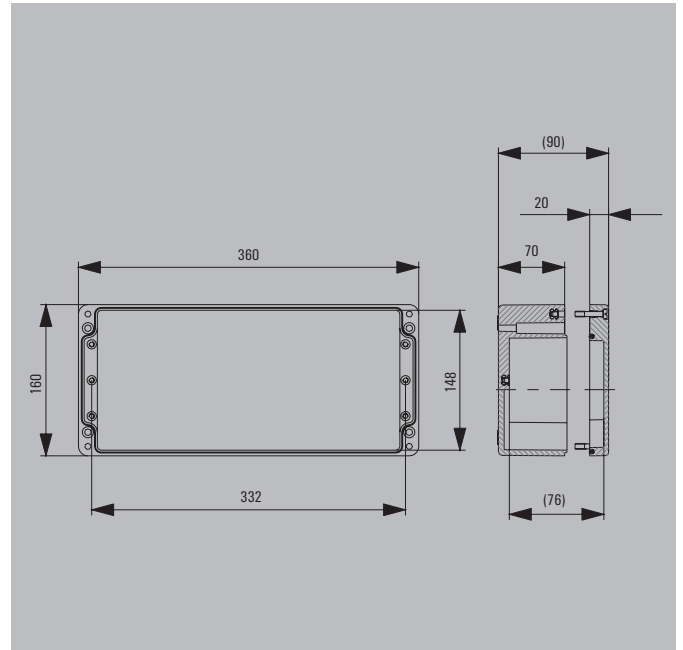
Number of cable entries	A / B	C / D
M12	30	11
M16	24	6
M20	14	4
M25	5	2
M32	4	2
M40	3	1
M50		
M63		



Note **Our IP 68 plastic cable glands fitted without a brass plate (cruciform) serve as a reference for these recommended values.

Klippon® POK 7

Depth **91 mm**



Height/Width/Depth 160 / 360 / 91 mm

Ordering data

RAL 7001	Standard, grey	Order No.
		1277800000
RAL 9011	Ex environment enclosure, black	Order No.
		9510270000

Note The overview page lists the ambient temperatures. Colour variations may occur under certain circumstances.

Accessories

Terminal rail, Set	Order No.
15 mm width	
Mounting plate	Order No.
Steel sheet, zinc plated	9510630000
Hinge, diecast zinc, Set	Order No.
	1580360000
Brass Earth Continuity Plate	Order No.
	1391010000
External mounting feet, set of 4	Order No.
	9510910000

Max. number of terminals (industry)

Assembly with terminal	vertical	horizontal
2.5 mm ²	*	1x56
4 mm ²	*	1x47
6 mm ²	*	1x36
10 mm ²	*	1x29
16 mm ²	*	1x24



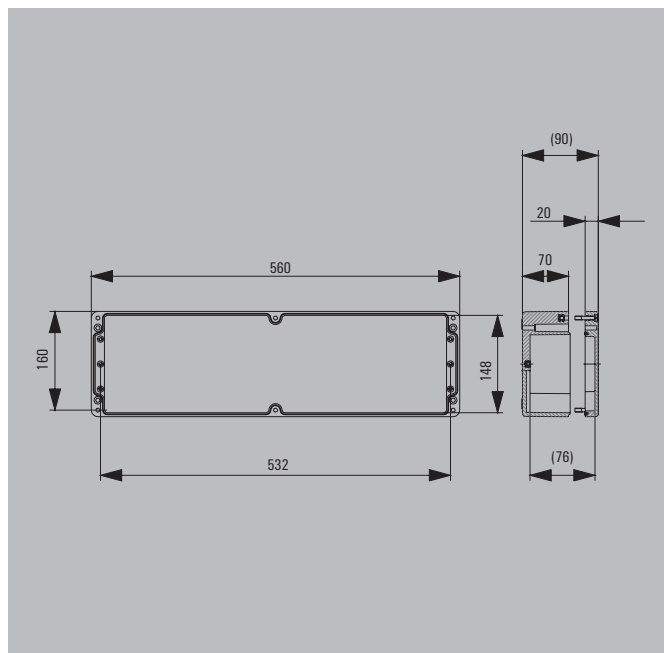
Note The mounting rails are designed to be installed directly. Assembly with terminals provides for 10 mm clearance to the ends of the mounting rail.
Ordering recommendations:
TS 35 mounting rail (screw-type terminals) WDU 2.5 1020000000 / (tension clamp terminals) ZDU 2.5 1608510000
*There are no pre-defined mounting points set within this enclosure for installing internal equipment in a vertical position.

Number of cable entries

Number of cable entries	A / B	C / D
M12	45	11
M16	36	6
M20	20	4
M25	8	2
M32	6	2
M40	5	1
M50		
M63		

Note **Our IP 68 plastic cable glands fitted without a brass plate (cruciform) serve as a reference for these recommended values.

Note Accessories described above as sets, are supplied with fixing materials. For this enclosure only two hinges are required to be fitted to the longest side.



Height/Width/Depth 160 / 560 / 91 mm

Ordering data

RAL 7001	Standard, grey	Order No.	9510520000
RAL 9011	Ex environment enclosure, black	Order No.	9510350000

Note The overview page lists the ambient temperatures. Colour variations may occur under certain circumstances.

Accessories

Terminal rail, Set	15 mm width	Order No.
		1580360000
Mounting plate	Steel sheet, zinc plated	Order No.
		9510710000
Hinge, diecast zinc, Set		Order No.
		1580360000
Brass Earth Continuity Plate		Order No.
		1391020000
External mounting feet, set of 4		Order No.
		9510910000

Note Accessories described above as sets, are supplied with fixing materials. For this enclosure only two hinges are required to be fitted to the longest side.

Max. number of terminals (industry)

Assembly with terminal	vertical	horizontal
2.5 mm ²	*	1x94
4 mm ²	*	1x79
6 mm ²	*	1x60
10 mm ²	*	1x49
16 mm ²	*	1x41



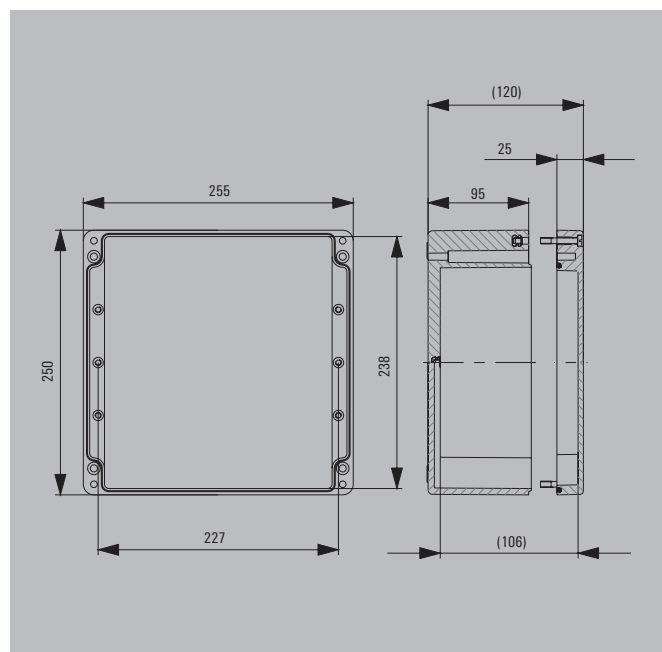
Note The mounting rails are designed to be installed directly. Assembly with terminals provides for 10 mm clearance to the ends of the mounting rail. Ordering recommendations: TS 35 mounting rail (screw-type terminals) WDU 2.5 1020000000 / (tension clamp terminals) ZDU 2.5 1608510000 *There are no pre-defined mounting points set within this enclosure for installing internal equipment in a vertical position.

Number of cable entries

Number of cable entries	A / B	C / D
M12	66	11
M16	58	6
M20	32	4
M25	12	2
M32	10	2
M40	8	1
M50		
M63		



Note **Our IP 68 plastic cable glands fitted without a brass plate (cruciform) serve as a reference for these recommended values.



Height/Width/Depth 250 / 255 / 121 mm

Ordering data

RAL 7001	Standard, grey	Order No.
		1565420000
RAL 9011	Ex environment enclosure, black	Order No.
		9510280000

Note The overview page lists the ambient temperatures. Colour variations may occur under certain circumstances.

Accessories

Terminal rail, Set	Order No.
15 mm width	
Mounting plate	Order No.
Steel sheet, zinc plated	9510640000
Hinge, diecast zinc, Set	Order No.
	1580360000
Brass Earth Continuity Plate	Order No.
	1391030000
External mounting feet, set of 4	Order No.
	9510910000

Note Accessories described above as sets, are supplied with fixing materials. For this enclosure only two hinges are required to be fitted to the longest side.

Max. number of terminals (industry)

Assembly with terminal	vertical	horizontal
2.5 mm ²	*	2x38
4 mm ²	*	2x31
6 mm ²	*	2x23
10 mm ²	*	2x19
16 mm ²	*	2x15



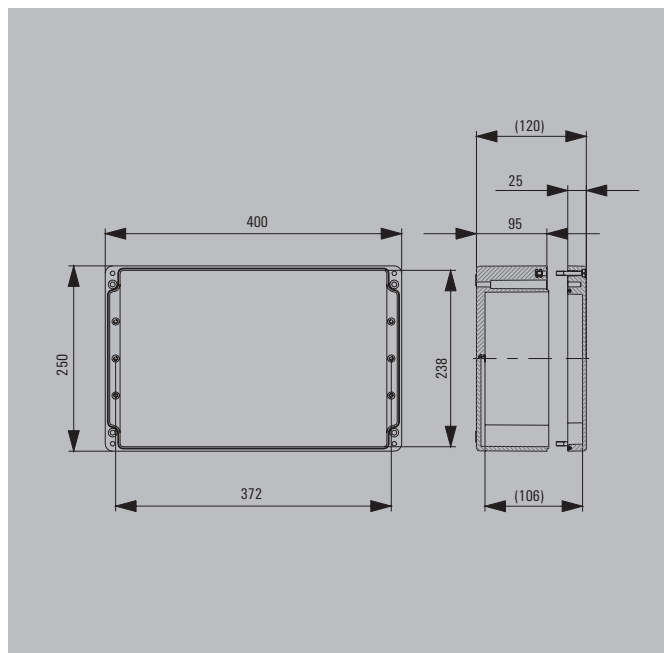
Note The mounting rails are designed to be installed directly. Assembly with terminals provides for 10 mm clearance to the ends of the mounting rail.
Ordering recommendations:
TS 35 mounting rail (screw-type terminals) WDU 2.5 1020000000 / (tension clamp terminals) ZDU 2.5 1608510000
*There are no pre-defined mounting points set within this enclosure for installing internal equipment in a vertical position.

Number of cable entries

Number of cable entries	A / B	C / D
M12	36	32
M16	32	21
M20	10	15
M25	10	8
M32	8	3
M40	3	3
M50	2	2
M63		



Note **Our IP 68 plastic cable glands fitted without a brass plate (cruciform) serve as a reference for these recommended values.



Height/Width/Depth 250 / 400 / 121 mm

Ordering data

RAL 7001	Standard, grey	Order No.	1565430000
RAL 9011	Ex environment enclosure, black	Order No.	9510290000

Note The overview page lists the ambient temperatures. Colour variations may occur under certain circumstances.

Accessories

Terminal rail, Set	15 mm width	Order No.
Mounting plate	Steel sheet, zinc plated	9510650000
Hinge, diecast zinc, Set		1580360000
Brass Earth Continuity Plate		1391040000
External mounting feet, set of 4		9510910000

Note Accessories described above as sets, are supplied with fixing materials. For this enclosure only two hinges are required to be fitted to the longest side.

Max. number of terminals (industry)

Assembly with terminal	vertical	horizontal
2.5 mm ²	*	2x67
4 mm ²	*	2x55
6 mm ²	*	2x41
10 mm ²	*	2x33
16 mm ²	*	2x27



Note The mounting rails are designed to be installed directly. Assembly with terminals provides for 10 mm clearance to the ends of the mounting rail. Ordering recommendations: TS 35 mounting rail (screw-type terminals) WDU 2.5 1020000000 / (tension clamp terminals) ZDU 2.5 1608510000 *There are no pre-defined mounting points set within this enclosure for installing internal equipment in a vertical position.

Number of cable entries

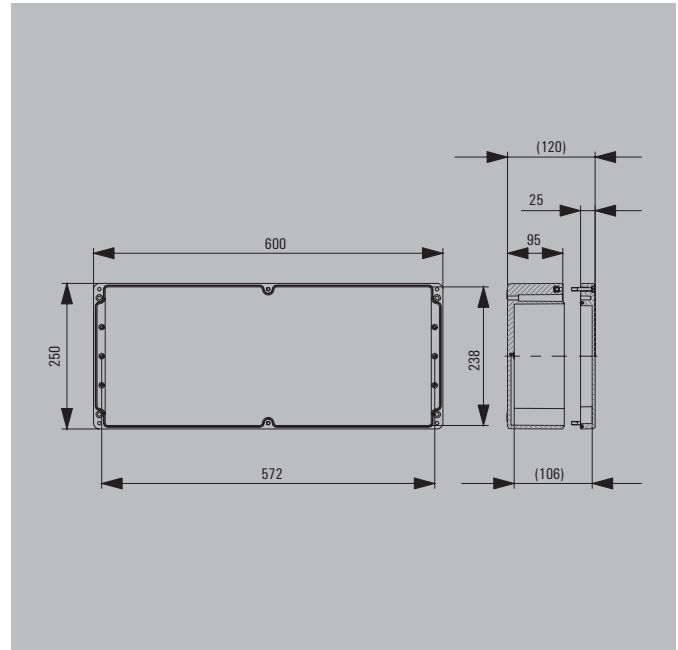
Number of cable entries	A / B	C / D
M12	62	32
M16	54	21
M20	33	15
M25	18	8
M32	14	3
M40	6	3
M50	4	2
M63		



Note **Our IP 68 plastic cable glands fitted without a brass plate (cruciform) serve as a reference for these recommended values.

Klippon® POK 91

Depth 121 mm



Height/Width/Depth 250 / 600 / 121 mm

Ordering data

RAL 7001	Standard, grey	Order No.
		9510470000
RAL 9011	Ex environment enclosure, black	Order No.
		9510300000

Note The overview page lists the ambient temperatures. Colour variations may occur under certain circumstances.

Accessories

Terminal rail, Set	Order No.
15 mm width	
Mounting plate	Order No.
Steel sheet, zinc plated	9510660000
Hinge, diecast zinc, Set	Order No.
	1580360000
Brass Earth Continuity Plate	Order No.
	1391050000
External mounting feet, set of 4	Order No.
	9510910000

Note Accessories described above as sets, are supplied with fixing materials. For this enclosure only two hinges are required to be fitted to the longest side.

Max. number of terminals (industry)

Assembly with terminal	vertical	horizontal
2.5 mm ²	*	2x107
4 mm ²	*	2x89
6 mm ²	*	2x66
10 mm ²	*	2x53
16 mm ²	*	2x44



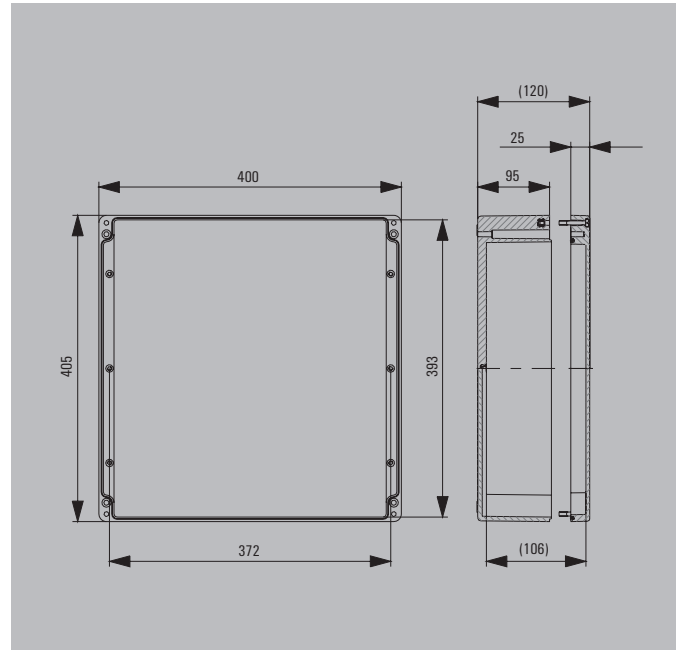
Note The mounting rails are designed to be installed directly. Assembly with terminals provides for 10 mm clearance to the ends of the mounting rail. Ordering recommendations: TS 35 mounting rail (screw-type terminals) WDU 2.5 1020000000 / (tension clamp terminals) ZDU 2.5 1608510000 *There are no pre-defined mounting points set within this enclosure for installing internal equipment in a vertical position.

Number of cable entries

Number of cable entries	A / B	C / D
M12	96	32
M16	80	21
M20	24	15
M25	20	8
M32	20	3
M40	8	3
M50	6	2
M63		



Note **Our IP 68 plastic cable glands fitted without a brass plate (cruciform) serve as a reference for these recommended values.



Height/Width/Depth 405 / 400 / 121 mm

Ordering data

RAL 7001	Standard, grey	Order No.	1565440000
RAL 9011	Ex environment enclosure, black	Order No.	9510310000

Note The overview page lists the ambient temperatures. Colour variations may occur under certain circumstances.

Accessories

Terminal rail, Set	15 mm width	Order No.
Mounting plate	Steel sheet, zinc plated	9510670000
Hinge, diecast zinc, Set		1580360000
Brass Earth Continuity Plate		1391070000
External mounting feet, set of 4		9510910000

Max. number of terminals (industry)

Assembly with terminal	vertical	horizontal
2.5 mm ²	*	3x67
4 mm ²	*	3x55
6 mm ²	*	3x41
10 mm ²	*	3x33
16 mm ²	*	3x27



Note The mounting rails are designed to be installed directly. Assembly with terminals provides for 10 mm clearance to the ends of the mounting rail.
Ordering recommendations:
TS 35 mounting rail (screw-type terminals) WDU 2.5 1020000000 / (tension clamp terminals) ZDU 2.5 1608510000
*There are no prescribed possible attachment points in the enclosures for vertical installations.

Number of cable entries

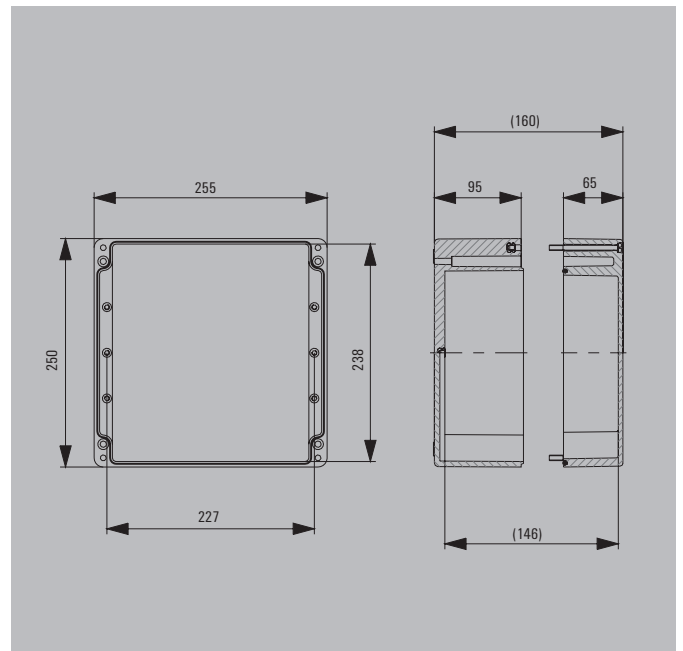
Number of cable entries	A / B	C / D
M12	62	60
M16	54	39
M20	33	30
M25	18	18
M32	14	7
M40	6	5
M50	4	4
M63		

Note **Our IP 68 plastic cable glands fitted without a brass plate (cruciform) serve as a reference for these recommended values.

Note Accessories described above as sets, are supplied with fixing materials. For this enclosure only two hinges are required to be fitted to the longest side.

Klippon® POK 11

Depth 161 mm



Height/Width/Depth 250 / 255 / 161 mm

Ordering data

RAL 7001	Standard, grey	Order No.
		9510530000
RAL 9011	Ex environment enclosure, black	Order No.
		9510360000

Note The overview page lists the ambient temperatures. Colour variations may occur under certain circumstances.

Accessories

Terminal rail, Set	Order No.
15 mm width	
Mounting plate	Order No.
Steel sheet, zinc plated	9510640000
Hinge, diecast zinc, Set	Order No.
	1580360000
Brass Earth Continuity Plate	Order No.
	1391030000
External mounting feet, set of 4	Order No.
	9510910000

Note Accessories described above as sets, are supplied with fixing materials. For this enclosure only two hinges are required to be fitted to the longest side.

Max. number of terminals (industry)

Assembly with terminal	vertical	horizontal
2.5 mm ²	*	2x38
4 mm ²	*	2x31
6 mm ²	*	2x23
10 mm ²	*	2x19
16 mm ²	*	2x15



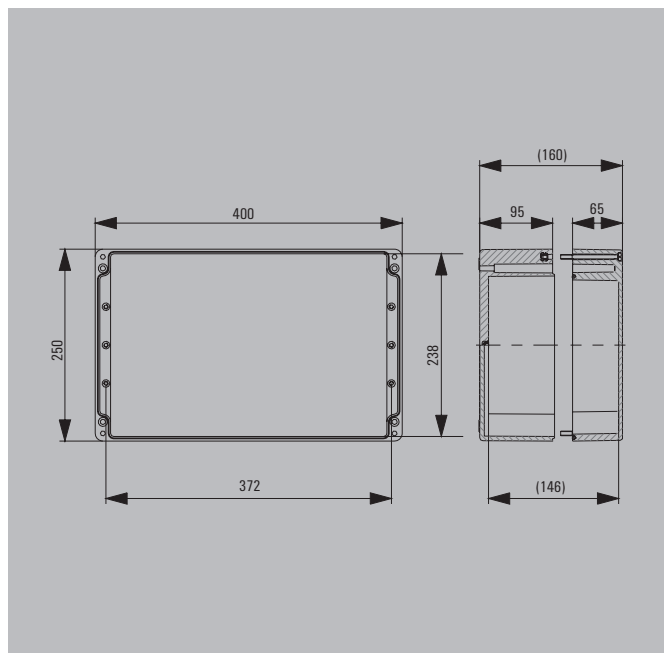
Note The mounting rails are designed to be installed directly. Assembly with terminals provides for 10 mm clearance to the ends of the mounting rail. Ordering recommendations: TS 35 mounting rail (screw-type terminals) WDU 2.5 1020000000 / (tension clamp terminals) ZDU 2.5 1608510000 *There are no prescribed possible attachment points in the enclosures for vertical installations.

Number of cable entries

Number of cable entries	A / B	C / D
M12	36	32
M16	32	21
M20	18	15
M25	10	8
M32	8	3
M40	3	3
M50	2	2
M63		



Note **Our IP 68 plastic cable glands fitted without a brass plate (cruciform) serve as a reference for these recommended values.



Height/Width/Depth 250 / 400 / 161 mm

Ordering data

RAL 7001	Standard, grey	Order No.	9510540000
RAL 9011	Ex environment enclosure, black	Order No.	9510370000

Note The overview page lists the ambient temperatures. Colour variations may occur under certain circumstances.

Accessories

Terminal rail, Set	15 mm width	Order No.
Mounting plate	Steel sheet, zinc plated	9510650000
Hinge, diecast zinc, Set		1580360000
Brass Earth Continuity Plate		1391040000
External mounting feet, set of 4		9510910000

Note Accessories described above as sets, are supplied with fixing materials. For this enclosure only two hinges are required to be fitted to the longest side.

Max. number of terminals (industry)

Assembly with terminal	vertical	horizontal
2.5 mm ²	*	2x67
4 mm ²	*	2x55
6 mm ²	*	2x41
10 mm ²	*	2x33
16 mm ²	*	2x27



Note The mounting rails are designed to be installed directly. Assembly with terminals provides for 10 mm clearance to the ends of the mounting rail. Ordering recommendations: TS 35 mounting rail (screw-type terminals) WDU 2.5 1020000000 / (tension clamp terminals) ZDU 2.5 1608510000 *There are no prescribed possible attachment points in the enclosures for vertical installations.

Number of cable entries

Number of cable entries	A / B	C / D
M12	62	32
M16	54	21
M20	33	15
M25	18	8
M32	14	3
M40	6	3
M50	4	2
M63		




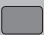

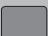

Note **Our IP 68 plastic cable glands fitted without a brass plate (cruciform) serve as a reference for these recommended values.

Standardised distribution boxes – Product overview: Polyester enclosure

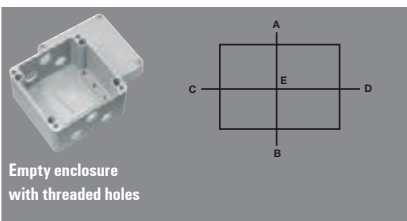
Use the product overview to find the right solution for you! Combine your own industrial version consisting of an enclosure, with or without threaded holes, a suitable mounting rail or pre-fitted terminal strips. The compatible components are always shown in a row.

Distribution boxes with Ex protection for use in explosive areas can be found in the last column. They come with threaded holes and are already equipped with a terminal strip.

Polyester enclosure

Dimensions of the enclosure height x width x depth mm	Enclosure type	Empty enclosure without threaded holes		Mounting rail (TS) / Mounting plate (MOPL)				
		Order No.	Qty.	Type	Length mm	Rail mounting slot dimensions mm	Order No.	Qty.
Polyester, RAL 7001								
75 x 80 x 56 	Klippon® POK 1	1277200000	1	TS 15	68	4.5 x 20	1928060000	1
75 x 110 x 56 	Klippon® POK 2	1277300000	1	TS 15	98	4.5 x 20	1928070000	1
75 x 160 x 56 	Klippon® POK 3	1277400000	1	TS 15	147	4.5 x 20	1928080000	1
120 x 122 x 91 	Klippon® POK 4	1277500000	1	TS 35	105	6.3 x 20	1910070000	1
160 x 160 x 91 	Klippon® POK 51	1565410000	1	TS 35	140	6.3 x 20	1910100000	1
		protection class IP 66		suitable for the enclosure of the respective line				

¹⁾ Multi-pole terminal blocks (block terminals BK 4, BK 6 or BK 12) can be directly fitted
²⁾ Space for further threaded holes up to M32



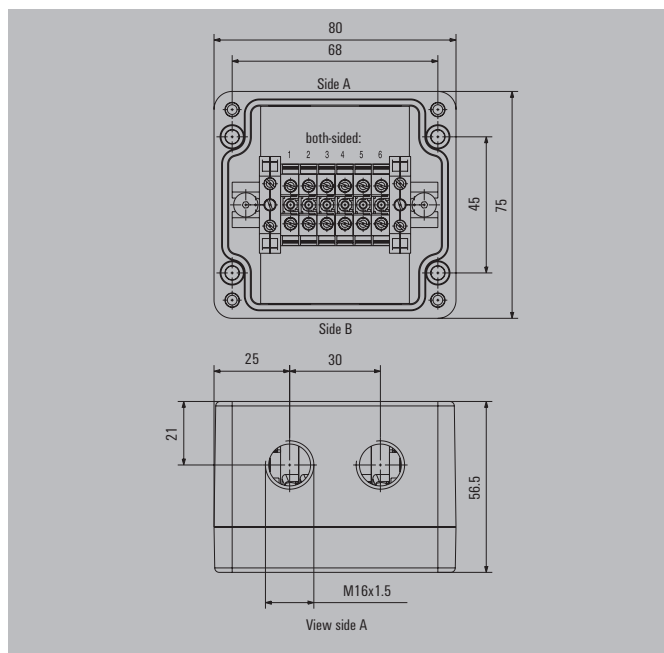
Threaded hole Side A	Threaded hole Side B	Order No.	Qty.	Connection technology	Cross-section mm ²	Number of DU*	Number of PE*	Order No.	Qty.	Order No.
2x M16	2x M16	8000004160	1	Screw connection	4	4	0	8000004365 ¹⁾	1	8000004222
2x M16	2x M16			Screw connection	4	6	2	8000004144	1	8000004223
2x M20	2x M20	8000004161	1	Screw connection	4	6	0	8000004366 ¹⁾	1	8000004224
2x M20	2x M20			Screw connection	4	10	2	8000004145	1	8000004225
4x M20	4x M20	8000004162	1	Screw connection	4	12	0	8000004367 ¹⁾	1	8000004226
4x M20	4x M20			Screw connection	4	18	2	8000004146	1	8000004228
3x M20	3x M20	8000003448	1	Screw connection	4	12	2	8000003444	1	8000003593
3x M20	3x M20			Tension clamp connection	4	9	2	8000003445	1	8000003594
4x M20	4x M20	8000004164 ²⁾	1	Screw connection	4	16	2	8000004142	1	8000004229
4x M20	4x M20			Tension clamp connection	2.5	19	2	8000004143	1	8000004230

suitable for the enclosures of the respective line
 *DU = feed-through terminals, PE = PE terminals


Ex enclosure with an external earthing connection, holes and strip terminals in each row



Height / Width / Depth 75 / 80 / 56 mm



Accessories

Stopping plugs	Order No.
 KSPM M16 PL	1209890000
VP M16-EXE MS	1737140000


Empty enclosure with tapped holes

Drill holes side A	Drill holes side B	Order No.
2 x M16x1.5	2 x M16x1.5	8000004160

Note Enclosures are delivered in RAL 7001.

Note You can find markers and labels in the Terminal Block Catalogue. Wall-mounted holders can be found in Chapter B under Klippon® POK

Terminal block, suitable for empty enclosure

Type	Type of connection	Conductor can be clamped	Rated cross-section	No. of DU*	No. of PE*	Order No.
	Screw connection	Solid / stranded	0.5...4 mm ² / 1.5...4 mm ²	4	0	8000004365
		Flexible / flexible with wire-end ferrule	0.5...4 mm ² / 0.5...4 mm ²			
AKZ 4	Screw connection	Solid / stranded	0.5...6 mm ² / 1.5...4 mm ²	6	2	8000004144
		Flexible / flexible with wire-end ferrule	0.5...4 mm ² / 0.5...2.5 mm ²			

Note Markers numbered 1-50 (horizontal text) and mounting screws are included in the delivery. *DU = feed-through terminals, PE = PE terminals

Distribution box with ATEX II 2GD T85°C Ex e II T6

Drill holes side A	Drill holes side B	No. of DU*	No. of PE*	Order No.
2 x M16x1.5	2 x M16x1.5	6	2	8000004223
2 x M16x1.5	2 x M16x1.5	4	0	8000004222

Note Enclosures are delivered in RAL 9011. *DU = feed-through terminals, PE = PE terminals

Terminal rail / mounting plate set

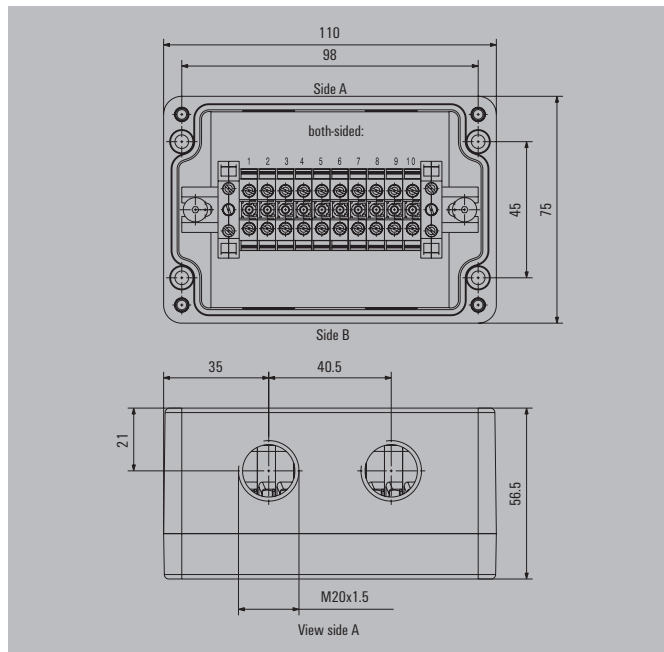
Product type	Type	Length	Order No.
 Mounting rail	TS15 68 Klippon POK1 CSS	68 mm	1928060000

Note Supplied with mounting screws for the mounting rail or mounting plate





Height / Width / Depth 75 / 110 / 56 mm



Empty enclosure with tapped holes

	Drill holes side A	Drill holes side B	Order No.
	2 x M20x1.5	2 x M20x1.5	8000004161

Note Enclosures are delivered in RAL 7001.

Accessories

Accessories	Order No.
Cable glands KSG M20 BN O NI 2 G20	1911560000
Stopping plugs KSPM M20 PL VP M20-EXE MS	1209910000 1737150000
Adapters ADAP EX M20-M16	1737560000

Note You can find markers and labels in the Terminal Block Catalogue. Wall-mounted holders can be found in Chapter B under Klippon® POK

Terminal block, suitable for empty enclosure

Type	Type of connection	Conductor can be clamped	Rated cross-section	No. of DU*	No. of PE*	Order No.
BK 6/E	Screw connection	Solid / stranded Flexible / flexible with wire-end ferrule	0.5...4 mm ² / 1.5...4 mm ² 0.5...4 mm ² / 0.5...4 mm ²	6	0	8000004366
AKZ 4	Screw connection	Solid / stranded Flexible / flexible with wire-end ferrule	0.5...6 mm ² / 1.5...4 mm ² 0.5...4 mm ² / 0.5...2.5 mm ²	10	2	8000004145

Note Markers numbered 1-50 (horizontal text) and mounting screws are included in the delivery.
*DU = feed-through terminals, PE = PE terminals

Distribution box with ATEX II 2GD T85°C Ex e II T6

Drill holes side A	Drill holes side B	No. of DU*	No. of PE*	Order No.
2 x M20x1.5	2 x M20x1.5	10	2	8000004225
2 x M20x1.5	2 x M20x1.5	6	0	8000004224



Note Enclosures are delivered in RAL 9011.
*DU = feed-through terminals, PE = PE terminals

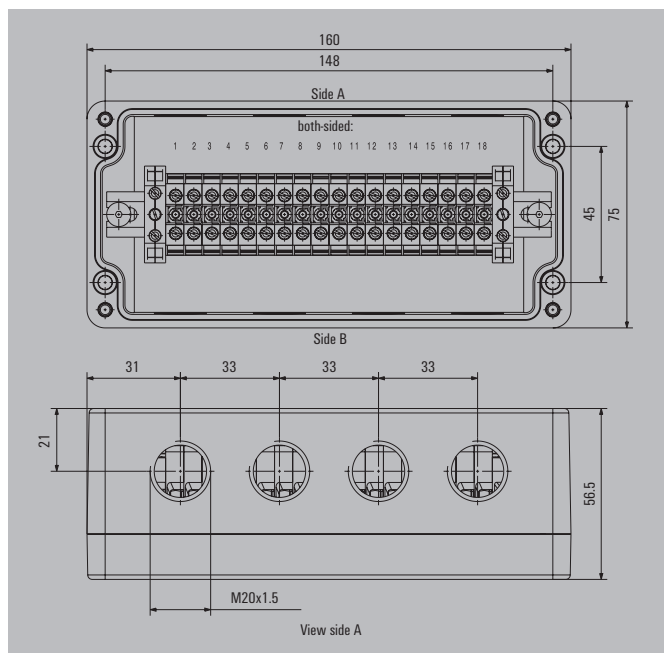
Terminal rail / mounting plate set

Product type	Type	Length	Order No.
Mounting rail	TS15 98 Klippon POK2 CSS	98 mm	1928070000

Note Supplied with mounting screws for the mounting rail or mounting plate



Height / Width / Depth 75 / 160 / 56 mm






Empty enclosure with tapped holes

	Drill holes side A	Drill holes side B	Order No.
	4 x M20x1.5	4 x M20x1.5	8000004162


Note Enclosures are delivered in RAL 7001.

Accessories

Accessories	Order No.
 Cable glands KSG M20 BN O NI 2 G20	1911560000
 Stopping plugs KSPM M20 PL VP M20-EXE MS	1209910000 1737150000
 Adapters ADAP EX M20-M16	1737560000

Note You can find markers and labels in the Terminal Block Catalogue. Wall-mounted holders can be found in Chapter B under Klippon® POK

Terminal block, suitable for empty enclosure

Type	Type of connection	Conductor can be clamped	Rated cross-section	No. of DU*	No. of PE*	Order No.
 BK 12/E	Screw connection	Solid / stranded Flexible / flexible with wire-end ferrule	0.5...4 mm ² / 1.5...4 mm ² 0.5...4 mm ² / 0.5...4 mm ²	12	0	8000004367
AKZ 4	Screw connection	Solid / stranded Flexible / flexible with wire-end ferrule	0.5...6 mm ² / 1.5...4 mm ² 0.5...4 mm ² / 0.5...2.5 mm ²	18	2	8000004146

Note Markers numbered 1-50 (horizontal text) and mounting screws are included in the delivery.
*DU = feed-through terminals, PE = PE terminals

Distribution box with ATEX II 2GD T85°C Ex e II T6

Drill holes side A	Drill holes side B	No. of DU*	No. of PE*	Order No.
4 x M20x1.5	4 x M20x1.5	18	2	8000004228
4 x M20x1.5	4 x M20x1.5	12	0	8000004226



Note Enclosures are delivered in RAL 9011.
*DU = feed-through terminals, PE = PE terminals

Terminal rail / mounting plate set

Product type	Type	Length	Order No.
 Mounting rail	TS15 147 Klippon POK3 CSS	147 mm	1928080000

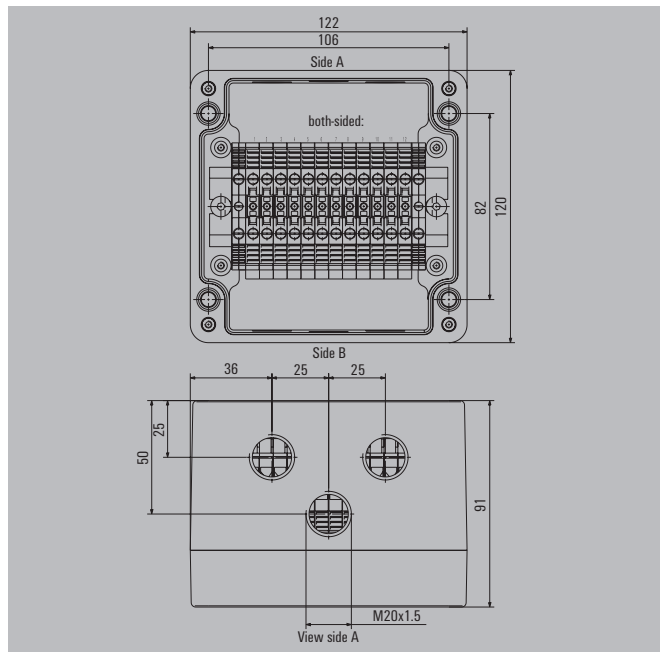
Note Supplied with mounting screws for the mounting rail or mounting plate

Klippon® POK4

91 mm



Height / Width / Depth 120 / 122 / 91 mm






Empty enclosure with tapped holes

	Drill holes side A	Drill holes side B	Order No.
	3 x M20x1.5	3 x M20x1.5	8000003448


Note Enclosures are delivered in RAL 7001.

Accessories

		Order No.
	KSG M20 BN O NI 2 G20	1911560000
	KSPM M20 PL	1209910000
	VP M20-EXE MS	1737150000
	ADAP EX M20-M16	1737560000

Note You can find markers and labels in the Terminal Block Catalogue. Wall-mounted holders can be found in Chapter B under Klippon® POK

Terminal block, suitable for empty enclosure

	Type	Type of connection	Conductor can be clamped	Rated cross-section	No. of DU*	No. of PE*	Order No.
	ZDU 4-2/3AN	Tension clamp connection	Solid / stranded Flexible / flexible with wire-end ferrule	0.5..6 mm ² / ... 0.5..4 mm ² / 0.5..4 mm ²	9	2	8000003445
	WDU 4	Screw connection	Solid / stranded Flexible / flexible with wire-end ferrule	0.5..6 mm ² / 1.5..6 mm ² 0.5..6 mm ² / 0.5..4 mm ²	12	2	8000003444

Note Markers numbered 1-50 (horizontal text) and mounting screws are included in the delivery.
*DU = feed-through terminals, PE = PE terminals

Distribution box with ATEX II 2GD T85°C Ex e II T6

Drill holes side A	Drill holes side B	No. of DU*	No. of PE*	Order No.
3 x M20x1.5	3 x M20x1.5	12	2	8000003593
3 x M20x1.5	3 x M20x1.5	9	2	8000003594



Note Enclosures are delivered in RAL 9011.
*DU = feed-through terminals, PE = PE terminals

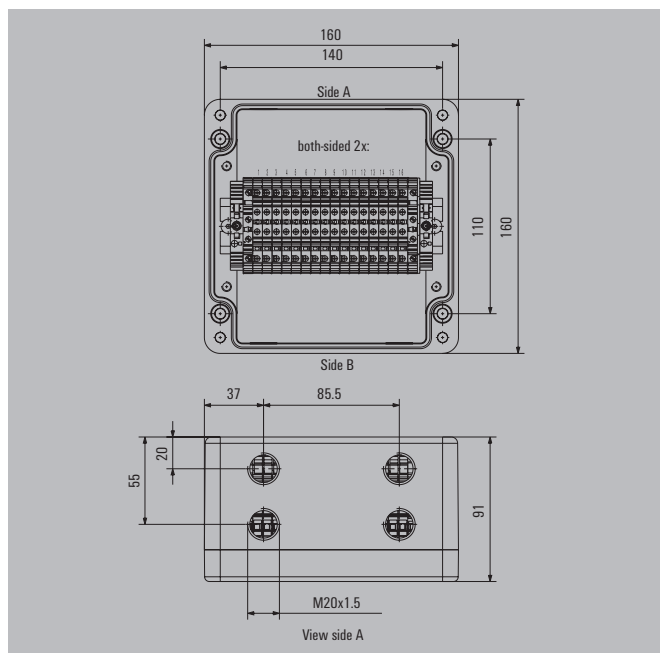
Terminal rail / mounting plate set

Product type	Type	Length	Order No.
 Mounting rail	TS35 105 Klippon K41/POK4	105 mm	1910070000

Note Supplied with mounting screws for the mounting rail or mounting plate



Height / Width / Depth 160 / 160 / 91 mm



Empty enclosure with tapped holes

	Drill holes side A	Drill holes side B	Order No.
	4 x M20x1.5	4 x M20x1.5	8000004164

Note Enclosures are delivered in RAL 7001. Space for further holes up to M40 is available.

Accessories

Accessories	Order No.
Cable glands KSG M20 BN O NI 2 G20	1911560000
Stopping plugs KSPM M20 PL VP M20-EXE MS	1209910000 1737150000
Adapters ADAP EX M20-M16	1737560000

Note You can find markers and labels in the Terminal Block Catalogue. Wall-mounted holders can be found in Chapter B under Klippon® POK

Terminal block, suitable for empty enclosure

Type	Type of connection	Conductor can be clamped	Rated cross-section	No. of DU*	No. of PE*	Order No.
ZDK 2.5	Tension clamp connection	Solid / stranded Flexible / flexible with wire-end ferrule	0.5...2.5 mm ² / ... 0.5...2.5 mm ² / 0.5...2.5 mm ²	19	2	8000004143
WDK 4N	Screw connection	Solid / stranded Flexible / flexible with wire-end ferrule	0.5...6 mm ² / 1.5...6 mm ² 0.5...4 mm ² / 0.5...4 mm ²	16	2	8000004142

Note Markers numbered 1-50 (horizontal text) and mounting screws are included in the delivery.
*DU = feed-through terminals, PE = PE terminals

Distribution box with ATEX II 2GD T85°C Ex e II T6

Drill holes side A	Drill holes side B	No. of DU*	No. of PE*	Order No.
4 x M20x1.5	4 x M20x1.5	16	2	8000004229
4 x M20x1.5	4 x M20x1.5	19	2	8000004230

Note Enclosures are delivered in RAL 9011.
*DU = feed-through terminals, PE = PE terminals



Terminal rail / mounting plate set

Product type	Type	Length	Order No.
Mounting rail	TS35/140 Klippon K52 POK51	140 mm	1910100000

Note Supplied with mounting screws for the mounting rail or mounting plate

TBF – Large polyester enclosures

The enclosures in the TBF range are made from sturdy glass-fibre reinforced polyester. They offer a universal solution for protection of components such as controllers, measuring instruments, valves and other devices. Suitable applications include photovoltaics and energy distribution.

Key features of this product range include:

- Available in 9 sizes, with grey or transparent lids
- The lid has nylon screws fitted
- Mounting holes are outside the sealed area
- Thread for fitting to terminal rails and mounting plates
- High Ingress Protection (IP 66 and IP 67)

Weidmüller can manufacture and supply this enclosure to match customer specifications and fitted with all necessary terminals and cable glands.



Overview of enclosures

Ordering data

Description	Dimensions in mm	Grey lid	Transparent lid
TBF 19/15	186 x 151 x 140	0360100000	0500500000
TBF 30/19	302 x 186 x 175	0360200000	0500600000
TBF 30/30	302 x 302 x 175	0360300000	0500700000
TBF 37/30	372 x 302 x 175	0360400000	0500800000
TBF 49/30	488 x 302 x 175 / 210	9502800000	9502840000
TBF 56/30	558 x 302 x 175 / 210	9502810000	9502850000
TBF 60/30	603 x 302 x 175 / 210	0360500000	0500900000
TBF 60/37	603 x 372 x 175 / 210	9502820000	9502860000
TBF 60/60	603 x 603 x 175 / 210	9502830000	9502870000

Note

Technical Overview

Features

- Extremely tough and impact resistant thanks to the glass-fibre reinforced polyester
- Extremely weather resistant
- High IP rating
- Approved according to the latest international standards (e.g. GOST)

Note We deliver enclosures through our assembly service which are ready to be connected and suitable for every application.

Technical data

	Grey lid	Transparent lid
Enclosure material	Base and lid made of glass-fibre reinforced polyester (GRP)	Base made of glass-fibre reinforced polyester (GRP) Lid is polycarbonate (PC)
Surface finish	grey, similar to RAL 7035	
IP protection class	IP 67	IP 66
Installation mounting	4 or 6 M4 clamping screws	4 or 6 M4 clamping screws
Enclosure mounting	4 holes of 7 mm diameter or with external fastening lugs, see accessories	4 holes of 7 mm diameter or with external fastening lugs, see accessories
Lid fixing	4 or 6 captive cross-headed nylon screws	4 or 6 captive cross-headed nylon screws
Impact resistance	4 J	7 J
Gasket material	Polyurethane	Polyurethane
Temperature range	-50 °C...+150 °C	-50 °C...+130 °C
Flammability characteristics	UL 94 HB	V2
Toxicity	Free from halogens	Free from halogens
Note		



Height / Width / Depth

Technical data

Assembly with terminal

- 2.5 mm²
- 4 mm²
- 6 mm²
- 10 mm²
- 16 mm²
- 35 mm²

Number of cable entries

- M12
- M16
- M20
- M25
- M32
- M40
- M50
- M63
- M75

Note

Ordering data

- Enclosure with grey lid
- Enclosure with transparent lid

Note

Accessories

Mounting plates and fastening screws

Steel sheet, zinc plated

External mounting lug, set of 4

Polyamide

Earthing stud

- M6, Brass
- M6, Stainless steel
- M10, Brass
- M10, Stainless steel

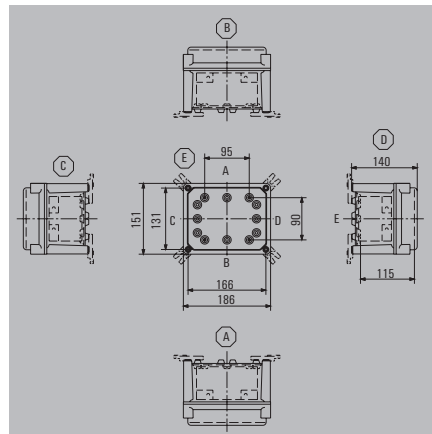
Expansion frame

Polyamide

Note

TBF 19/15

140 mm



186 / 151 / 140 mm

	vertical	horizontal
	1x11	1x18
	1x9	1x15
	1x7	1x7
	1x6	1x9
	1x4	1x6
	1x3	1x5
	A / B	C / D
	11	11
	6	6
	2	2
	2	2
	1	1
	1	1

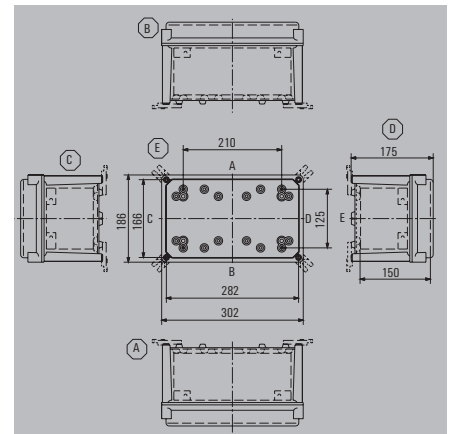
Type	Qty.	Order No.
TBF 19/15/14 7035	1	0360100000
TBF 19/15/14 trsp	1	0500500000

Type	Qty.	Order No.
MP TBF 19/15	1	9502720000
MF TBF	1	0360800000
ES TBF M6 brass	1	9502700000
ES TBF M6 ss	1	9505240000
ES TBF M10 brass	1	9502710000
ES TBF M10 ss	1	9500870000
EF TBF 19/15	1	9502930000

If using an extension frame, the protection class (IP) is reduced.

TBF 30/19

175 mm



302 / 186 / 175 mm

	vertical	horizontal
	2x22	1x44
	2x18	1x37
	2x14	2x14
	2x11	1x22
	2x8	1x16
	2x7	1x14
	A / B	C / D
	28	53
	14	30
	11	22
	6	10
	3	5
	3	3
	1	3
	1	2

Type	Qty.	Order No.
TBF 30/19/18 7035	1	0360200000
TBF 30/19/18 trsp	1	0500600000

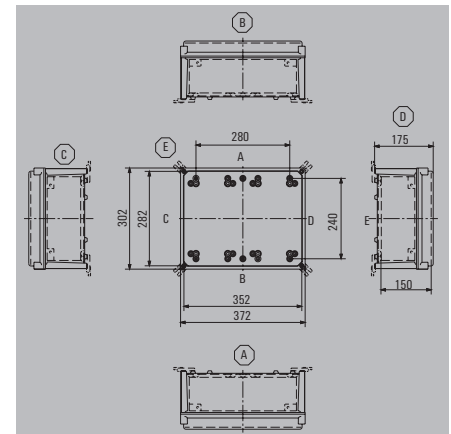
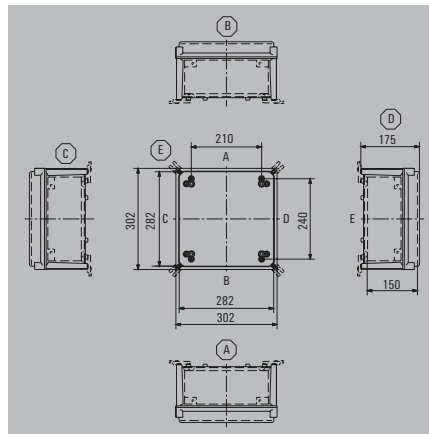
Type	Qty.	Order No.
MP TBF 30/19	1	3018950000
MF TBF	1	0360800000
ES TBF M6 brass	1	9502700000
ES TBF M6 ss	1	9505240000
ES TBF M10 brass	1	9502710000
ES TBF M10 ss	1	9500870000

TBF 30/30

175 mm

TBF 37/30

175 mm



Height / Width / Depth

302 / 302 / 175 mm

372 / 302 / 175 mm

Technical data

Assembly with terminal

- 2.5 mm²
- 4 mm²
- 6 mm²
- 10 mm²
- 16 mm²
- 35 mm²

Number of cable entries

- M12
- M16
- M20
- M25
- M32
- M40
- M50
- M63
- M75

Note

	vertical	horizontal
	2x44	1x44
	2x37	1x37
	2x28	2x28
	2x22	1x22
	2x16	1x16
	2x14	1x14
	A / B	C / D
	44	44
	24	24
	20	20
	10	10
	4	4
	3	3
	3	3
	2	2

	vertical	horizontal
	2x57	2x44
	2x48	2x37
	2x36	2x36
	2x29	2x22
	2x21	2x16
	2x18	2x14
	A / B	C / D
	44	56
	24	30
	20	27
	10	12
	4	5
	3	4
	3	4
	2	3

Ordering data

- Enclosure with grey lid
- Enclosure with transparent lid

Note

Type	Qty.	Order No.
TBF 30/30/18 7035	1	0360300000
TBF 30/30/18 trsp	1	0500700000

Type	Qty.	Order No.
TBF 37/30/18 7035	1	0360400000
TBF 37/30/18 trsp	1	0500800000

Accessories

Mounting plates and fastening screws

Steel sheet, zinc plated

External mounting lug, set of 4

Polyamide

Earthing stud

- M6, Brass
- M6, Stainless steel
- M10, Brass
- M10, Stainless steel

Expansion frame

Polyamide

Type	Qty.	Order No.
MP TBF 30/30	1	9502730000
MF TBF	1	0360800000
ES TBF M6 brass	1	9502700000
ES TBF M6 ss	1	9505240000
ES TBF M10 brass	1	9502710000
ES TBF M10 ss	1	9500870000
EF TBF 30/30	1	9502950000

Type	Qty.	Order No.
MP TBF 37/30	1	9502740000
MF TBF	1	0360800000
ES TBF M6 brass	1	9502700000
ES TBF M6 ss	1	9505240000
ES TBF M10 brass	1	9502710000
ES TBF M10 ss	1	9500870000
EF TBF 37/30	1	9502960000

Note

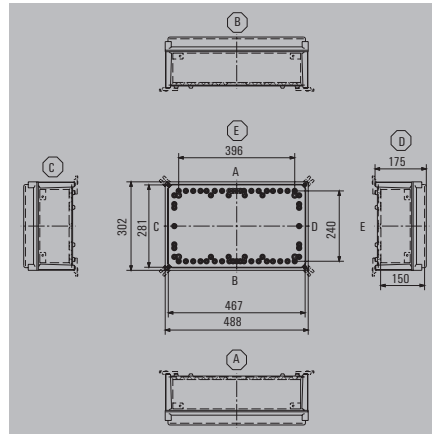
If using an extension frame, the protection class (IP) is reduced.

If using an extension frame, the protection class (IP) is reduced.



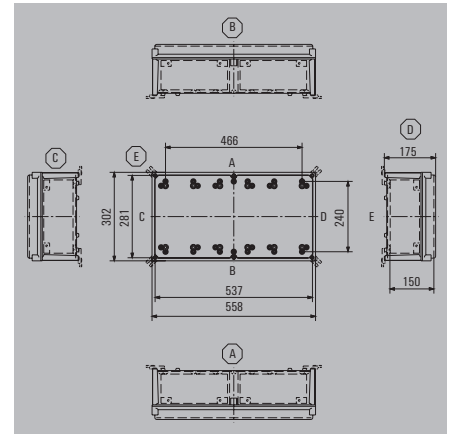
TBF 49/30

175 mm



TBF 56/30

175 mm



Height / Width / Depth

488 / 302 / 210 mm

558 / 302 / 210 mm

Technical data

Assembly with terminal

- 2.5 mm²
- 4 mm²
- 6 mm²
- 10 mm²
- 16 mm²
- 35 mm²

Number of cable entries

- M12
- M16
- M20
- M25
- M32
- M40
- M50
- M63
- M75

Note

	vertical	horizontal
	2x80	3x44
	2x67	3x37
	2x51	2x51
	2x41	3x22
	2x29	3x16
	2x25	3x14
	A / B	C / D
	44	42
	24	42
	20	36
	10	18
	4	7
	3	5
	3	5
	2	4

	vertical	horizontal
	2x94	4x44
	2x79	4x37
	2x59	2x59
	2x48	4x22
	2x34	4x16
	2x30	4x14
	A / B	C / D
	44	80
	24	46
	20	40
	10	18
	4	8
	3	6
	3	4
	2	4

Ordering data

- Enclosure with grey lid
- Enclosure with transparent lid

Note

Type	Qty.	Order No.
TBF 49/30/18 7035	1	9502800000
TBF 49/30/21 trsp	1	9502840000

Grey lid: 130 mm internal height, 175 mm total height
Transparent lid: 160 mm internal height, 210 mm total height

Type	Qty.	Order No.
TBF 56/30/18 7035	1	9502810000
TBF 56/30/21 trsp	1	9502850000

Grey lid: 130 mm internal height, 175 mm total height
Transparent lid: 160 mm internal height, 210 mm total height

Accessories

Mounting plates and fastening screws

Steel sheet, zinc plated

External mounting lug, set of 4

Polyamide

Earthing stud

- M6, Brass
- M6, Stainless steel
- M10, Brass
- M10, Stainless steel

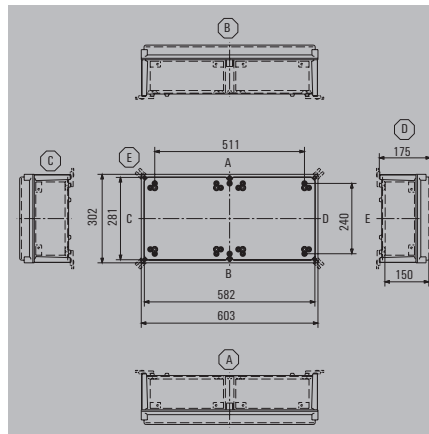
Type	Qty.	Order No.
MP TBF 49/30	1	9500960000
MF TBF	1	0360800000
ES TBF M6 brass	1	9502700000
ES TBF M6 ss	1	9505240000
ES TBF M10 brass	1	9502710000
ES TBF M10 ss	1	9500870000

Type	Qty.	Order No.
MP TBF 56/30	1	9500950000
MF TBF	1	0360800000
ES TBF M6 brass	1	9502700000
ES TBF M6 ss	1	9505240000
ES TBF M10 brass	1	9502710000
ES TBF M10 ss	1	9500870000

Note

TBF 60/30

175 mm



Height / Width / Depth

603 / 302 / 210 mm

Technical data

Assembly with terminal

- 2.5 mm²
- 4 mm²
- 6 mm²
- 10 mm²
- 16 mm²
- 35 mm²

Number of cable entries

- M12
- M16
- M20
- M25
- M32
- M40
- M50
- M63
- M75

Note

	vertical	horizontal
	5x44	1x101
	5x37	1x85
	5x28	5x28
	5x22	1x51
	5x16	1x37
	5x14	1x32
A / B	C / D	
	44	88
	24	48
	20	40
	10	20
	4	8
	3	6
	3	6
	2	4

Ordering data

- Enclosure with grey lid
- Enclosure with transparent lid

Note

Type	Order No.
TBF 60/30/18 7035	0360500000
TBF 60/30/21 trsp	0500900000

Grey lid: 130 mm internal height, 175 mm total height
Transparent lid: 160 mm internal height, 210 mm total height

Accessories

Mounting plates and fastening screws

Steel sheet, zinc plated

External mounting lug, set of 4

Polyamide

Earthing stud

- M6, Brass
- M6, Stainless steel
- M10, Brass
- M10, Stainless steel

Expansion frame

Polyamide

Type	Qty.	Order No.
MP TBF 60/30	1	9502750000
MF TBF	1	0360800000
ES TBF M6 brass	1	9502700000
ES TBF M6 ss	1	9505240000
ES TBF M10 brass	1	9502710000
ES TBF M10 ss	1	9500870000
EF TBF 60/30	1	9502990000

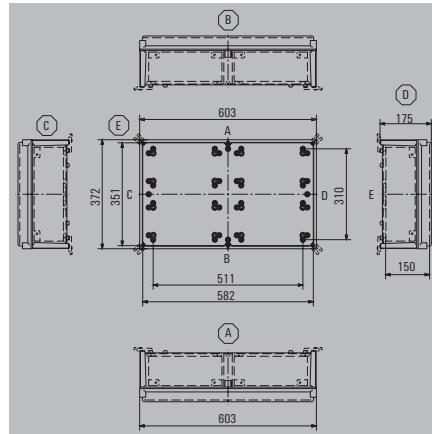
Note

If using an extension frame, the protection class (IP) is reduced.



TBF 60/37

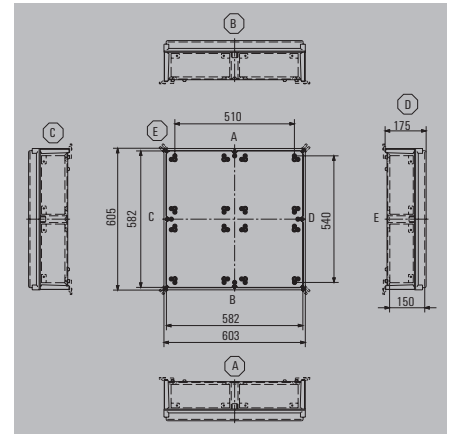
175 mm



603 / 372 / 210 mm

TBF 60/60

175 mm



603 / 605 / 210 mm

Height / Width / Depth

Technical data

Assembly with terminal

- 2.5 mm²
- 4 mm²
- 6 mm²
- 10 mm²
- 16 mm²
- 35 mm²

Number of cable entries

- M12
- M16
- M20
- M25
- M32
- M40
- M50
- M63
- M75

Note

	vertical	horizontal
	5x57	2x101
	5x48	2x85
	5x36	5x36
	5x29	2x51
	5x21	2x37
	5x18	2x32
	A / B	C / D
	52	88
	30	48
	26	40
	12	20
	5	8
	4	6
	4	6
	3	4

	vertical	horizontal
	5x101	4x101
	5x85	4x85
	5x64	5x64
	5x51	4x51
	5x37	4x37
	5x32	4x32
	A / B	C / D
	88	88
	48	48
	40	40
	20	20
	8	8
	6	6
	6	6
	4	4

Ordering data

- Enclosure with grey lid
- Enclosure with transparent lid

Note

Type	Qty.	Order No.
TBF 60/37/18 7035	1	9502820000
TBF 60/37/21 trsp	1	9502860000

Grey lid: 130 mm internal height, 175 mm total height
Transparent lid: 160 mm internal height, 210 mm total height

Type	Qty.	Order No.
TBF 60/60/18 7035	1	9502830000
TBF 60/60/21 trsp	1	9502870000

Grey lid: 130 mm internal height, 175 mm total height
Transparent lid: 160 mm internal height, 210 mm total height

Accessories

Mounting plates and fastening screws

Steel sheet, zinc plated

External mounting lug, set of 4

Polyamide

Earthing stud

- M6, Brass
- M6, Stainless steel
- M10, Brass
- M10, Stainless steel

Expansion frame

Polyamide

Type	Qty.	Order No.
MP TBF 60/37	1	9502910000
MF TBF	1	0360800000
ES TBF M6 brass	1	9502700000
ES TBF M6 ss	1	9505240000
ES TBF M10 brass	1	9502710000
ES TBF M10 ss	1	9500870000
EF TBF 60/37	1	9503000000

Type	Qty.	Order No.
MP TBF 60/60	1	9502920000
MF TBF	1	0360800000
ES TBF M6 brass	1	9502700000
ES TBF M6 ss	1	9505240000
ES TBF M10 brass	1	9502710000
ES TBF M10 ss	1	9500870000
EF TBF 60/60	1	9503010000

Note

If using an extension frame, the protection class (IP) is reduced.

If using an extension frame, the protection class (IP) is reduced.

MPC – Small polycarbonate enclosures

The polycarbonate enclosures of the MPC range are ideal for enclosing electrical, electro-mechanical and pneumatic devices as well as PCBs. The enclosures are used in situations with extreme mechanical and chemical conditions.

The characteristics of the enclosures are:

- Available in 17 sizes, with grey or transparent lids
- Lid fixing screws equipped with sealing holes
- Fixing holes outside the sealed area
- Thread for fitting to terminal rails, mounting plates and PCBs

Weidmüller can manufacture and supply this enclosure to match customer specifications and fitted with all necessary terminals and cable glands.



Overview of enclosures

Ordering data

Description	Dimensions in mm	Grey lid	Transparent lid
MPC 07/12/07	75 x 125 x 75	9535170000	9535180000
MPC 07/12/10	75 x 125 x 100	9535190000	9535200000
MPC 07/12/12	75 x 125 x 120	9535210000	9535220000
MPC 12/12/07	120 x 120 x 75	9535230000	9535240000
MPC 12/12/10	120 x 120 x 100	9535250000	9535260000
MPC 12/12/12	120 x 120 x 120	9535270000	9535280000
MPC 12/17/07	120 x 175 x 75	9535290000	9535300000
MPC 12/17/10	120 x 175 x 100	9535310000	9535320000
MPC 12/17/12	120 x 175 x 120	9535330000	9535340000
MPC 12/17/15	120 x 175 x 150	9535350000	9535360000
MPC 17/17/07	175 x 175 x 75	9535370000	9535380000
MPC 17/17/10	175 x 175 x 100	9535390000	9535400000
MPC 17/17/12	175 x 175 x 120	9535410000	
MPC 17/17/15	175 x 175 x 150	9535430000	9535440000
MPC 17/25/10	175 x 250 x 100	9535450000	
MPC 18/25/07	180 x 250 x 75	9535470000	9535480000
MPC 18/25/15	180 x 250 x 150	9535490000	9535500000

Note

Technical Overview

Features

- High thermal stability thanks to the polycarbonate
- Extremely tough and impact resistant thanks to the high fibre-glass content.
- Good IP rating, due to use of polyurethane (PUR) gasket material
- Approved according to the latest international standards

Note We deliver enclosures through our assembly service which are ready to be connected and suitable for every application.

Technical data

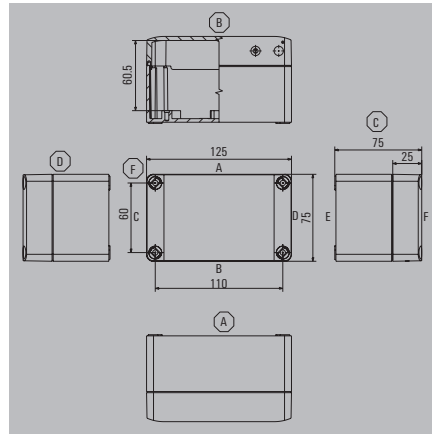
Enclosure material	Polycarbonate
Cover	Grey or transparent
Surface finish	Grey, similar to RAL 7035
IP protection class	IP 66, IP 67
Installation mounting	Self-tapping screws
Enclosure mounting	4 holes (4.5 mm diameter) or external mounting brackets (optional)
Lid fixing	4 cross-head screws (polyamide)
Gasket material	Polyurethane foam
Temperature range	-50 °C...+130 °C

Note



MPC 07/12/07

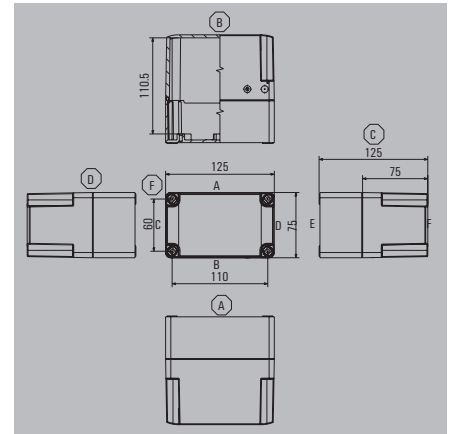
75 mm



125 / 75 / 75 mm

MPC 07/12/12

125 mm



125 / 75 / 125 mm

Height / Width / Depth

Technical data

Assembly with terminal

- 2.5 mm²
- 4 mm²
- 6 mm²
- 10 mm²
- 16 mm²
- 35 mm²

Number of cable entries

- M12
- M16
- M20
- M25
- M32
- M40
- M50
- M63
- M75

Note

vertical	horizontal
1x13	1x13
1x11	1x11
1x8	1x8
1x6	1x6

A / B	C / D
1	4
1	3
1	3

It is possible to mount the WDU terminal blocks on a TS 35.

vertical	horizontal
1x13	1x13
1x11	1x11
1x8	1x8
1x6	1x6
1x5	1x1
1x4	1x1

A / B	C / D
1	4
1	3
1	3

It is possible to mount the WDU terminal blocks on a TS 35.

Ordering data

- Enclosure with grey lid
- Enclosure with transparent lid

Note

Type	Qty.	Order No.
MPC 07/12/07 7035	1	9535170000
MPC 07/12/07 trsp	1	9535180000

Type	Qty.	Order No.
MPC 07/12/12 7035	1	9535210000
MPC 07/12/12 trsp	1	9535220000

Accessories

Mounting plate

Steel sheet, zinc plated

External mounting lug, set of 4

Hinge, set of 2

Type	Qty.	Order No.
MP MPC 07/12	10	9535540000
MF MPC	1	9535600000
HG MPC	1	9535590000

Type	Qty.	Order No.
MP MPC 07/12	10	9535540000
MF MPC	1	9535600000
HG MPC	1	9535590000

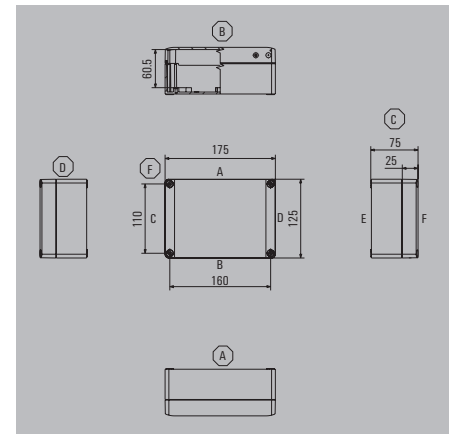
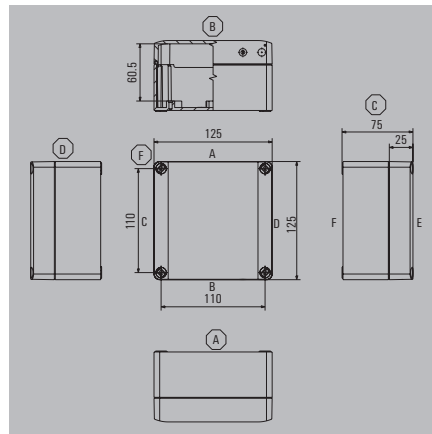
Note

MPC 12/12/07

75 mm

MPC 12/17/07

75 mm



Height / Width / Depth

125 / 125 / 75 mm

175 / 125 / 75 mm

Technical data

Assembly with terminal

2.5 mm²
4 mm²
6 mm²
10 mm²
16 mm²
35 mm²

Number of cable entries

M12
M16
M20
M25
M32
M40
M50
M63
M75

Note

vertical	horizontal
1x13	1x13
1x11	1x11
1x8	1x8
1x6	1x6

A / B	C / D
4	4
3	3
3	

It is possible to mount the WDU terminal blocks on a TS 35.

vertical	horizontal
1x22	1x22
1x19	1x19
1x14	1x14
1x11	1x11

A / B	C / D
4	6
3	4
3	4

It is possible to mount the WDU terminal blocks on a TS 35.

Ordering data

Enclosure with grey lid
Enclosure with transparent lid

Note

Type	Qty.	Order No.
MPC 12/12/07 7035	1	9535230000
MPC 12/12/07 trsp	1	9535240000

Type	Qty.	Order No.
MPC 12/17/07 7035	1	9535290000
MPC 12/17/07 trsp	1	9535300000

Accessories

Mounting plate

Steel sheet, zinc plated

External mounting lug, set of 4

Hinge, set of 2

Type	Qty.	Order No.
MP MPC 12/12	10	9535550000
MF MPC	1	9535600000
HG MPC	1	9535590000

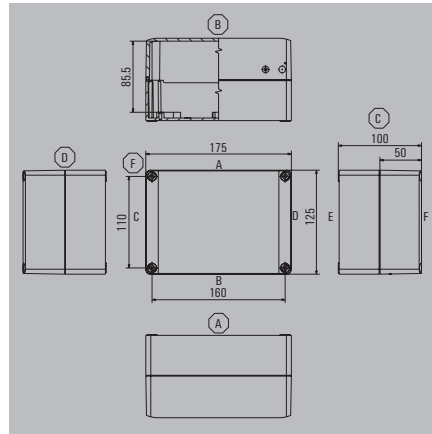
Type	Qty.	Order No.
MP MPC 12/17	10	9535560000
MF MPC	1	9535600000
HG MPC	1	9535590000

Note



MPC 12/17/10

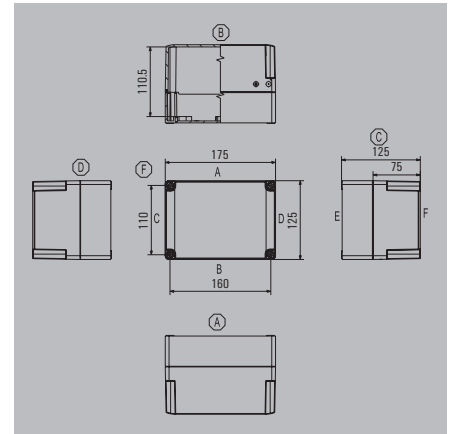
100 mm



175 / 125 / 100 mm

MPC 12/17/12

125 mm



175 / 125 / 125 mm

Height / Width / Depth

Technical data

Assembly with terminal
2.5 mm ²
4 mm ²
6 mm ²
10 mm ²
16 mm ²
35 mm ²
Number of cable entries
M12
M16
M20
M25
M32
M40
M50
M63
M75

	vertical	horizontal
	1x22	1x22
	1x19	1x19
	1x14	1x14
	1x11	1x11
	1x9	1x5
	1x7	1x4
	A / B	C / D
	4	6
	3	4
	3	4

	vertical	horizontal
	1x13	1x22
	1x11	1x19
	1x8	1x8
	1x6	1x11
	1x5	1x5
	1x4	1x4
	A / B	C / D
	4	6
	3	4
	3	4

Note

It is possible to mount the WDU terminal blocks on a TS 35.

It is possible to mount the WDU terminal blocks on a TS 35.

Ordering data

Type	Qty.	Order No.
MPC 12/17/10 7035	1	9535310000
MPC 12/17/10 trsp	1	9535320000

Type	Qty.	Order No.
MPC 12/17/12 7035	1	9535330000
MPC 12/17/12 trsp	1	9535340000

Accessories

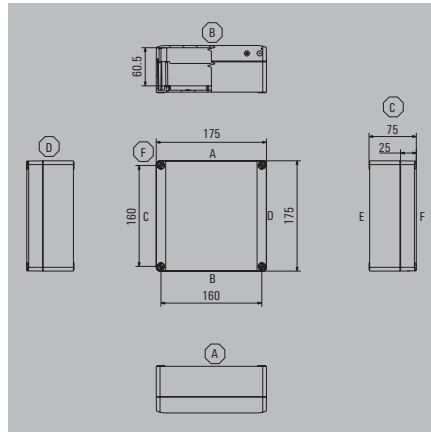
Type	Qty.	Order No.
MP MPC 12/17	10	9535560000
MF MPC	1	9535600000
HG MPC	1	9535590000

Type	Qty.	Order No.
MP MPC 12/17	10	9535560000
MF MPC	1	9535600000
HG MPC	1	9535590000

Note

MPC 17/17/07

75 mm



Height / Width / Depth

175 / 175 / 75 mm

Technical data

Assembly with terminal

- 2.5 mm²
- 4 mm²
- 6 mm²
- 10 mm²
- 16 mm²
- 35 mm²

Number of cable entries

- M12
- M16
- M20
- M25
- M32
- M40
- M50
- M63
- M75

Note

vertical	horizontal
1x22	1x22
1x19	1x19
1x14	1x14
1x11	1x11

A / B	C / D
6	6
4	4
4	

It is possible to mount the WDU terminal blocks on a TS 35.

Ordering data

- Enclosure with grey lid
- Enclosure with transparent lid

Note

Type	Qty.	Order No.
MPC 17/17/07 7035	1	9535370000
MPC 17/17/07 trsp	1	9535380000

Accessories

Mounting plate

Steel sheet, zinc plated



External mounting lug, set of 4



Hinge, set of 2



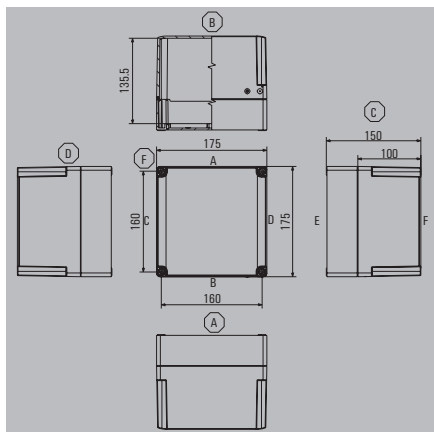
Type	Qty.	Order No.
MP MPC 17/17	10	9535570000
MF MPC	1	9535600000
HG MPC	1	9535590000

Note



MPC 17/17/15

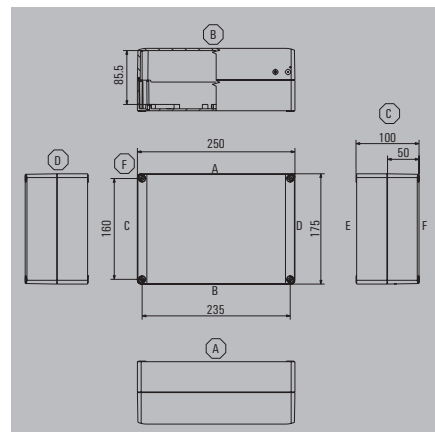
150 mm



175 / 175 / 150 mm

MPC 17/25/10

100 mm



250 / 175 / 100 mm

Height / Width / Depth

Technical data

Assembly with terminal
2.5 mm ²
4 mm ²
6 mm ²
10 mm ²
16 mm ²
35 mm ²
Number of cable entries
M12
M16
M20
M25
M32
M40
M50
M63
M75
Note

vertical	horizontal
1x22	1x22
1x19	1x19
1x14	1x14
1x11	1x11
1x9	1x9
1x7	1x7
A / B	C / D
6	6
4	4
4	
Note	

It is possible to mount the WDU terminal blocks on a TS 35.

vertical	horizontal
1x37	1x37
1x31	1x31
1x23	1x23
1x19	1x19
1x15	1x9
1x11	1x7
A / B	C / D
6	9
4	7
4	6
Note	

It is possible to mount the WDU terminal blocks on a TS 35.

Ordering data

Type	Qty.	Order No.
MPC 17/17/15 7035	1	9535430000
MPC 17/17/15 trsp	4	9535440000
Note	Enclosure with grey lid Enclosure with transparent lid	

Type	Qty.	Order No.
MPC 17/25/10 7035	1	9535470000
MPC 17/25/10 trsp	1	9535480000
Note		

Accessories

Type	Qty.	Order No.
MP MPC 17/17	10	9535570000
MF MPC	1	9535600000
HG MPC	1	9535590000
Note	Mounting plate: Steel sheet, zinc plated	

Type	Qty.	Order No.
MP MPC 17/25	1	9535580000
MF MPC	1	9535600000
HG MPC	1	9535590000
Note		

FPC – Medium-sized polycarbonate enclosures

The FPC enclosure range is the next generation of the MPC range. The enclosures have the same technical characteristics and are ideal for enclosing electrical, electro-mechanical and pneumatic devices and PCBs. The enclosures are used in situations where extreme mechanical and chemical conditions exist.

The characteristics of the enclosures are:

- Available in 6 sizes, with grey or transparent lids
- Lid fixing screws equipped with sealing holes
- Fixing holes outside the sealed area
- Thread for fitting to terminal rails, mounting plates and PCBs

Weidmüller can manufacture and supply this enclosure to match customer specifications and fitted with all necessary terminals and cable glands.



Overview of enclosures

Ordering data

Description	Dimensions in mm	Grey lid	Transparent lid
FPC 20/20/13	200 x 200 x 130	9535690000	9535680000
FPC 20/30/13	300 x 200 x 130	9535710000	9535700000
FPC 20/40/13	400 x 200 x 130	9535730000	9535720000
FPC 30/30/13	300 x 300 x 130	9535750000	9535740000
FPC 30/40/13	400 x 300 x 130	9535770000	9535760000
FPC 40/60/13	600 x 400 x 130	9535810000	9535820000

Note

Technical data

Enclosure material	Polycarbonate
Cover	Grey or transparent
Surface finish	Grey, similar to RAL 7035
IP protection class	IP 66, IP 67
Installation mounting	Self-tapping screws
Enclosure mounting	4 holes (7.5 mm diameter) or external mounting brackets (optional)
Lid fixing	4 cross-head screws (polyamide)
Gasket material	Polyurethane foam
Temperature range	-50 °C...+130 °C

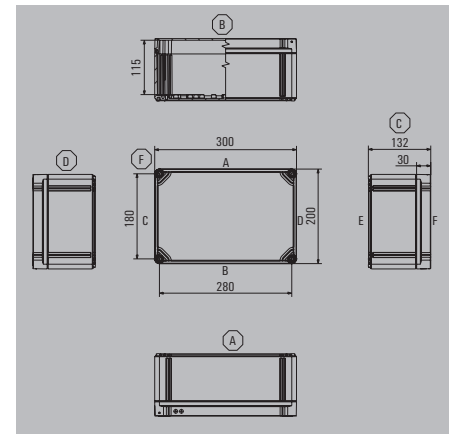
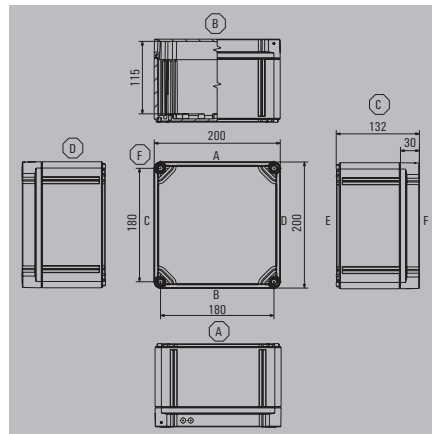
Note

FPC 20/20/13

132 mm

FPC 20/30/13

132 mm



Height / Width / Depth

200 / 200 / 132 mm

200 / 300 / 132 mm

Technical data

Assembly with terminal

- 2.5 mm²
- 4 mm²
- 6 mm²
- 10 mm²
- 16 mm²
- 35 mm²

Number of cable entries

- M12
- M16
- M20
- M25
- M32
- M40
- M50
- M63
- M75

Note

	vertical	horizontal
	1x17	1x17
	1x14	1x14
	1x10	1x10
	1x8	1x8
	1x7	1x7
	1x5	1x5
A / B	C / D	
20	20	
11	11	
6	6	
4	4	
2	2	
1	1	
1	1	
1	1	

	vertical	horizontal
	2x20	1x40
	2x17	1x33
	2x13	2x13
	2x10	1x20
	2x8	1x17
	2x6	1x12
A / B	C / D	
38	20	
21	11	
12	6	
8	4	
3	2	
3	1	
2	1	
2	1	

Ordering data

- Enclosure with grey lid
- Enclosure with transparent lid

Note

Type	Qty.	Order No.
FPC 20/20/13 7035	1	9535690000
FPC 20/20/13 trsp	1	9535680000

Type	Qty.	Order No.
FPC 20/30/13 7035	1	9535710000
FPC 20/30/13 trsp	1	9535700000

Accessories

Mounting plate

Steel sheet, zinc plated



Type	Qty.	Order No.
MP FPC 20/20	1	9535920000

Type	Qty.	Order No.
MP FPC 20/30	1	9535930000

External mounting lug, set of 4



Type	Qty.	Order No.
MF FPC	1	9536040000

Type	Qty.	Order No.
MF FPC	1	9536040000

Hinge, set of 2



Type	Qty.	Order No.
HG FPC	1	9535990000

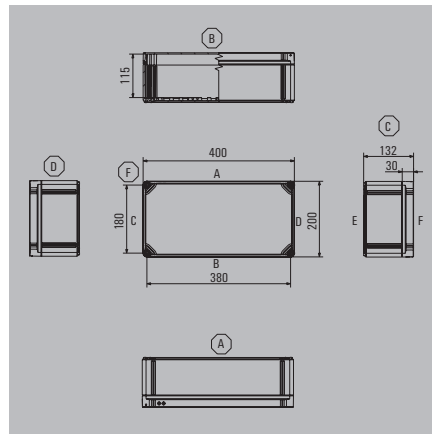
Type	Qty.	Order No.
HG FPC	1	9535990000

Note



FPC 20/40/13

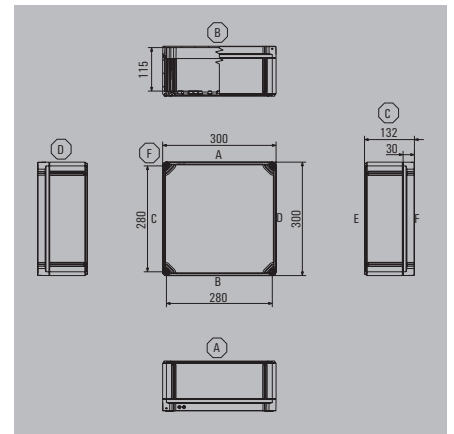
132 mm



200 / 400 / 132 mm

FPC 30/30/13

132 mm



300 / 300 / 132 mm

Height / Width / Depth

Technical data

Assembly with terminal

- 2.5 mm²
- 4 mm²
- 6 mm²
- 10 mm²
- 16 mm²
- 35 mm²

Number of cable entries

- M12
- M16
- M20
- M25
- M32
- M40
- M50
- M63
- M75

Note

	vertical	horizontal
	3x20	1x59
	3x17	1x49
	3x13	3x13
	3x10	1x30
	3x8	1x25
	3x6	1x19
	A / B	C / D
	56	20
	30	11
	18	6
	12	4
	5	2
	4	1
	4	1
	3	1

	vertical	horizontal
	2x40	1x40
	2x33	1x33
	2x25	2x25
	2x20	1x20
	2x17	1x17
	2x12	1x12
	A / B	C / D
	38	38
	21	21
	12	12
	8	8
	3	3
	3	3
	2	2
	2	2

Ordering data

- Enclosure with grey lid
- Enclosure with transparent lid

Note

Type	Qty.	Order No.
FPC 20/40/13 7035	1	9535730000
FPC 20/40/13 trsp	1	9535720000

Type	Qty.	Order No.
FPC 30/30/13 7035	1	9535750000
FPC 30/30/13 trsp	1	9535740000

Accessories

Mounting plate

Steel sheet, zinc plated



External mounting lug, set of 4



Hinge, set of 2



Type	Qty.	Order No.
MP FPC 20/40	1	9535940000
MF FPC	1	9536040000
HG FPC	1	9535990000

Type	Qty.	Order No.
MP FPC 30/30	1	9535950000
MF FPC	1	9536040000
HG FPC	1	9535990000

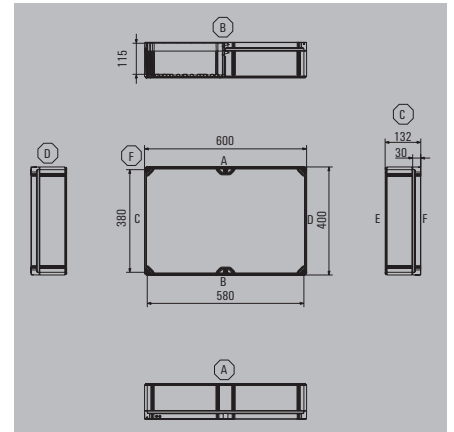
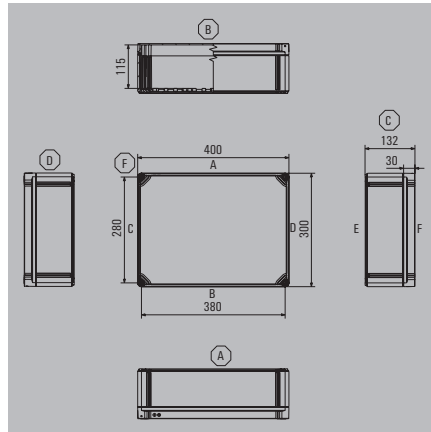
Note

FPC 30/40/13

132 mm

FPC 40/60/13

132 mm



Height / Width / Depth

300 / 400 / 132 mm

400 / 600 / 132 mm

Technical data

Assembly with terminal

- 2.5 mm²
- 4 mm²
- 6 mm²
- 10 mm²
- 16 mm²
- 35 mm²

Number of cable entries

- M12
- M16
- M20
- M25
- M32
- M40
- M50
- M63
- M75

Note

	vertical	horizontal
	3x40	1x59
	3x33	1x49
	3x25	3x25
	3x20	1x30
	3x17	1x25
	3x12	1x19
	A / B	C / D
	56	38
	30	21
	18	12
	12	8
	5	3
	4	3
	4	2
	3	2

	vertical	horizontal
	5x59	2x97
	5x49	2x81
	5x37	5x37
	5x30	2x49
	5x25	2x41
	5x19	2x31
	A / B	C / D
	76	56
	42	30
	24	18
	16	12
	6	5
	6	4
	4	4
	4	3

Ordering data

- Enclosure with grey lid
- Enclosure with transparent lid

Note

Type	Qty.	Order No.
FPC 30/40/13 7035	1	9535770000
FPC 30/40/13 trsp	1	9535760000

Type	Qty.	Order No.
FPC 40/60/13 7035	1	9535810000
FPC 40/60/13 trsp	1	9535820000

Accessories

Mounting plate

Steel sheet, zinc plated



External mounting lug, set of 4



Hinge, set of 2



Type	Qty.	Order No.
MP FPC 30/40	1	9535960000
MF FPC	1	9536040000
HG FPC	1	9535990000

Type	Qty.	Order No.
MP FPC 40/60	1	9535980000
MF FPC	1	9536040000
HG FPC	1	9535990000

Note

Cable entries

Cable entries	Introduction	C.2
	Standard cable glands - Plastic	C.6
	Standard cable glands - Brass	C.9
	EMC cable glands	C.15
	Standard cable glands - Stainless steel	C.17
	Klippon® Cable Glands	C.19
	Accessories - Lock nuts	C.46
	Accessories - Flat IP washer	C.51
	Accessories - Earthing rings	C.55
	Accessories - Shrouds	C.57
	Accessories - Washers	C.59
	Sealing plugs	C.60
	Adaptors	C.67
	Compensating elements	C.69

Cable entries

Weidmüller offers a variety of add-on components for a multitude of applications; complementing its wide range of enclosure products.

In addition to cable glands in brass, plastic and stainless steel, we provide sealing plugs, pressure compensation elements, adaptors and matching accessories, including lock nuts, flat gasket seals and earthing rings.

As with the enclosures, the cable glands come in IP protective classes from IP 54 to IP 69K and can be used as required in industrial standard applications, EMC applications or indeed in explosive hazard areas. They have the appropriate approvals for use in these areas. Ex certified Klippon® cable glands also allow the connection of braided and shielded armour with or without a lead sheath, as well as single wire reinforcement and metal foil armoured cables and wires. They can be used in temperatures from -60 °C to +180 °C.

Depending on the connector range and the application area, the cable glands, sealing plugs, adaptors, pressure compensation elements and accessories are certified and manufactured in line with the following standards:

- EN 60423 (metric thread)
- EN 40430 (PG and NPT thread)
- EN 60079-0 (General ATEX regulations)
- EN 60079-1 (Ex d ATEX regulations)
- EN 60079-7 (Ex e ATEX regulations)
- EN 60079-11 (Ex i ATEX regulations)
- EN 50262 (strain relief)
- EN 60529 (IP protection degree)

The range of cable glands, sealing plugs and pressure compensation elements is available in metric (M) and highstrength (PG) threads in sizes from M 12 to M 75 and PG 7 to PG 48. When choosing glands and sealing plugs, please refer to the table for the sealing characteristics of the O-rings, flat gaskets and seal inserts. The O-ring or flat gasket is always used to seal the connecting thread of an enclosure, while the seal insert for the cable gland actually seals and clamps the connection cable.



You should always observe the maximum drill-hole diameter when installing a cable gland, sealing plug, adaptor or pressure compensation element (e.g. onto the gland plate of an enclosure). These must not exceed the following specified maximum values / tolerances so that the protection degree of the whole enclosure can be guaranteed.

Through-hole information

M thread	Through-hole, in mm
M 12	12.2
M 16	16.2
M 20	20.2
M 25	25.2
M 32	32.2
M 40	40.2
M 50	50.2
M 63	63.2
M 75	75.2
PG thread	Through-hole, in mm
PG 7	12.4
PG 9	15.1
PG 11	18.5
PG 13.5	20.4
PG 16	22.5
PG 21	28.3
PG 29	37.4
PG 36	47.2
PG 42	54.2
PG 48	59.5

Overview of sealing materials for O-rings, flat gaskets as well as seal inserts

Abbreviation	Material	Trade name	Temperature range	Chemical resistance	Fire resistant	Shore	Free from halogens	UV resistance
TPE	Thermo-plastic elastomer	Santoprene	-40 °C...+130 °C	Hydrocarbons, oils, acids	UL94, HB	64	Yes	very good
CR	Chloroprene rubber	Neoprene	-40 °C...+130 °C	Mineral oils, greases, fuels	very good	40 - 90	No	very good
NBR	Nitrile rubber	Perbunan, Nitrile	-40 °C...+130 °C	Hydrocarbons, oils, acids, aliphatic solvents, greases, fuels	weak	40 - 90	No	good
EPDM	Ethylene-propylene-diene rubber	Keltan	-50 °C...+130 °C	Weather-, grease-, mineral oil-, chlorine- and ozone resistant, hydrocarbons	weak	20 - 90		very good
FPM	Fluoro-rubber	Viton	-25 °C...+200 °C	ozone, oxygen, mineral oils, synthetic hydraulic fluids, fuels, aromatics, many organic solvents and chemicals	weak	65 - 95		good

Abbreviations - technical data

A, L	Length in mm
L1	Length of thread in mm
D	Diameter in mm
S	Thickness in mm
GWDR	Threaded sealing ring or IP washer in mm
S1,S2	Depth in mm
SW	Distance across flats in mm
KB	Clamping range in mm
Thread	External thread
SUHB	Shroud
DR	Body torque in Nm
MODR	Mounting torque in Nm
DR HM	Cap nut torque in Nm
Qty.	Packing unit in pieces












Product designation

VG	Cable gland
VP	Sealing plugs
KDSU	Klippon® Double Seal Universal
KDSW	Klippon® Double Seal for SWA
KDSX	Klippon® Double Seal for SWB/STA
KSG	Klippon® Standard Gland
KUB	Klippon® Universal Barrier
KSPA	Klippon® Stopping Plug Type A
KSPM	Klippon® Stopping Plug Mushroom
KSWN	Klippon® Sealing Washer Nylon
KSWF	Klippon® Sealing Washer Red Fibre
KSP	Klippon® Shroud PVC/Silicone
SKMU	Hexagon nut
DAE	Pressure compensation element
BD	Breather drain (compensation element)
EWS	Drain plug
SZS	Serrated Star Washers
ZE	Strain relief
EMV	Electromagnetic compatibility
SKS	Spiral kink protection
GWDR	Threaded sealing ring or IP washer
ZR	Onion ring system (removable seal incisions system)











Glands and accessories

The tables below provide an overview of the Weidmüller cable glands and the recommended accessories.

Standard glands









Material/Type	Approvals			Armouring	Thread sealing rings			Locknuts				
	IP class of protection without seal	IP class of protection with seal	Ex		EMC	CSM GWDR PO	CR GWDR...NR	O-Ring	grey SKMU...K GR	black SKMU...KSW	brass SKMU...MS	MS EMC SKMU EMV...
Plastic												
 VG ... K67	IP 67								•			
 VG ... K68	IP 68 / 5 bar								•			
 VG ... K68 SKS	IP 68 / 5 bar								•			
Nickel-plated brass												
 VG ... MS54	IP 54	IP 65				optional					•	
 VG ... MS68		IP 68 / 5 bar, IP 69k						included			•	
 VG ... MS54-ZE	IP 54										•	
 VG...MS54 ZE BS	IP 54										•	
 VG...MS54 ZR	IP 54										•	
 VG ... EMV		IP 68 / 10 bar		•				included				•
 VG ... 1/EMV		IP 68 / 5 bar, IP 69k		•				included				•
Stainless steel												
 VG...SS68		IP 68 / 5 bar, IP 69k						included			•	

Cable glands Ex









Material/Type	Approvals			Armouring	Thread sealing rings			Locknuts				
	IP class of protection without seal	IP class of protection with seal	Ex		EMC	CSM GWDR PO	CR GWDR...NR	O-Ring	grey SKMU...K GR	black SKMU...KSW	brass SKMU...MS	MS EMC SKMU EMV...
Nickel-plated brass, Ex												
 KDSU...BN/BS O NI		IP 68 / 2.5 bar	Exe/d		•			included			•	
 KUB...BS O NI		IP 66, IP 68 / 10 bar	Exe/d		•			included			•	
 KDSW...BN/BS O/L NI	IP 54	IP 54, IP 66, IP 68 / 2.5 bar	Exe/d		•	optional					•	
 KDSX...BS O NI	IP 54	IP 54, IP 66, IP 68 / 2.5 bar	Exe/d		•	optional					•	
 KSG...BN/BS O NI		IP 66, IP 68 / 2.5 bar	Exe/d					included			•	
Brass Ex												
 KDSU...BN/BS O SC		IP 68 / 2.5 bar	Exe/d		•			included			•	
 KUB...BS O SC		IP 66, IP 68 / 10 bar	Exe/d		•			included			•	
 KDSW...BN/BS O/L SC	IP 54	IP 54, IP 66, IP 68 / 2.5 bar	Exe/d		•	optional					•	
 KDSX...BS O SC	IP 54	IP 54, IP 66, IP 68 / 2.5 bar	Exe/d		•	optional					•	
 KSG...BN/BS O SC		IP 66, IP 68 / 2.5 bar	Exe/d					included			•	

Ex - Stainless steel glands on request

Adaptor

Material/Type	Approvals		Ex	Thread sealing rings			Locknuts			
	IP class of protection with seal			CSM GWDR PO	CR GWDR...NR	O-Ring	grey SKMU...K GR	black SKMU...K SW	brass SKMU...MS	MS EMC SKMU EMV...
Plastic										
 DAE M12 PA	IP 66, IP 68, IP 69K					included				
 DAE M12 PA long	IP 66, IP 68, IP 69K					included		•		
Plastic Ex										
 EWS	IP 54		•	•						
Stainless steel										
 DAE M12 SS	IP 66, IP 68, IP 69K					included			•	•
Stainless steel Ex										
 BD 1 ss	IP 66		•			included				
Brass Ex										
 BD 1 brass	IP 66		•			included				
Brass Ex										
 KLIPPON BDx ... B	IP 66		•			included				
Stainless steel Ex										
 KLIPPON BDx ... S	IP 66		•			included				

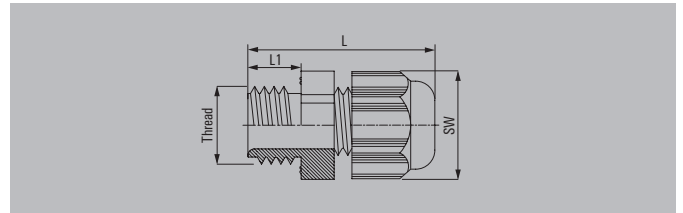
Stopping plugs

Material/Type	Approvals		Ex	Thread sealing rings			Locknuts			
	IP class of protection without seal	IP class of protection with seal		CSM GWDR PO	CR GWDR...NR	O-Ring	grey SKMU...K GR	black SKMU...K SW	brass SKMU...MS	MS EMC SKMU EMV...
Plastic										
 VP ... K54	IP 54	IP 65					•			
Nickel-plated brass										
 VP ... MS65		IP 68				included			•	
Stainless steel										
 KSPM...SSC		IP 66, IP 68	Exe/d			included			•	
Plastic Ex										
 VP...Ex SW	IP 66	IP 66, IP 68	Exe		optional			•		
 KSPM...PL		IP 66, IP 68	Exe			Nitrile		•		
Nickel-plated brass, Ex										
 VP...Ex MS		IP 68	Exe/d			included			•	
 KSPA...BNI	IP 54		Ex d						•	
Brass Ex										
 KSPM...BSC		IP 66, IP 68	Exe/d			included			•	

Cable glands - Plastic - IP 67



Inexpensive cable gland for industrial applications, without approvals.



Technical data

Material / Colour	Polyamide 6 / RAL 7035
Seal insert	CR
Temperature range	-20 °C...80 °C
Protection degree	IP 67
Flammability rating	V-2

Note Version with moulded sealing lip
Length L varies depending on the cable diameter used

Ordering data

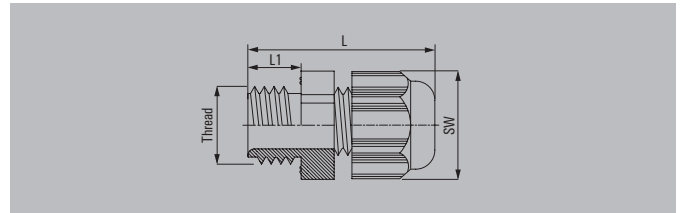
Typ	Thread	KB	L/L1	SW	TRQ CN min. / max.	TRQ B0 min. / max.	Qty.	Order No.
metric								
VG M12-K67	M 12 / 1.5	3-6.5	23.9 / 8	15	1.50 / 2.50	1.00 / 3.00	100	1909660000
VG M16-K67	M 16 / 1.5	4-8	27.7 / 8	19	2.00 / 3.00	1.00 / 4.00	50	1909670000
VG M16-K67	M 16 / 1.5	5-10	29 / 10	22	2.00 / 3.00	1.00 / 4.00	50	1909680000
VG M20-K67	M 20 / 1.5	6-12	29.2 / 10	24	4.50 / 5.50	2.00 / 5.00	50	1909690000
VG M20-K67	M 20 / 1.5	10-14	32.8 / 10	27	5.00 / 6.00	2.00 / 5.00	50	1909700000
VG M25-K67	M 25 / 1.5	13-18	37.9 / 8	29	7.00 / 9.00	2.00 / 5.00	25	1909710000
VG M32-K67	M 32 / 1.5	18-25	40.7 / 10	36	8.00 / 10.00	3.00 / 7.00	20	1909720000
VG M40-K67	M 40 / 1.5	22-32	51.3 / 10	46	16.00 / 19.00	7.00 / 12.00	10	1909730000
VG M50-K67	M 50 / 1.5	30-38	53.5 / 18	60	20.00 / 24.00	9.50 / 15.50	10	1909740000
VG M63-K67	M 63 / 1.5	34-44	55 / 18	65	20.50 / 25.50	12.50 / 18.50	10	1909750000
PG								
VG PG7-K67	PG 7	3-6.5	23.9 / 8	15	1.50 / 2.50	1.20 / 1.80	100	1909760000
VG PG9-K67	PG 9	4-8	27.7 / 8	19	2.00 / 3.00	1.20 / 1.80	50	1909770000
VG PG11-K67	PG 11	5-10	29 / 8	22	2.00 / 3.00	1.50 / 2.50	50	1909780000
VG PG13.5-K67	PG 13.5	6-12	29.2 / 9	24	4.50 / 5.50	2.50 / 3.50	50	1909790000
VG PG16-K67	PG 16	10-14	32.8 / 10	27	5.00 / 6.00	2.50 / 4.50	50	1909800000
VG PG21-K67	PG 21	13-18	37.9 / 11	33	5.00 / 6.00	7.00 / 9.00	25	1909810000
VG PG29-K67	PG 29	18-25	40.7 / 11	42	7.00 / 8.00	7.50 / 10.50	20	1909820000
VG PG36-K67	PG 36	22-32	51.3 / 13	53	14.50 / 15.30	9.50 / 12.50	10	1909830000
VG PG42-K67	PG 42	30-38	53.5 / 13	60	17.00 / 19.00	12.00 / 16.00	10	1909840000
VG PG48-K67	PG 48	34-44	55 / 14	65	19.00 / 21.00	12.00 / 16.00	10	1909850000

Note Integrated strain relief, halogen-free without sealing ring.

Cable glands - Plastic - IP 68



Plastic cable gland with integrated strain relief for industrial applications requiring IP 68 protection.



Technical data

Material / Colour	Polyamide 6 / RAL 7035
Seal insert	CR
Temperature range	-30 °C...80 °C
Protection degree	IP 68 - 5 bar (30 min.)
Flammability rating	V-2

Note Version with moulded sealing lip
Length L varies depending on the cable diameter used

Ordering data

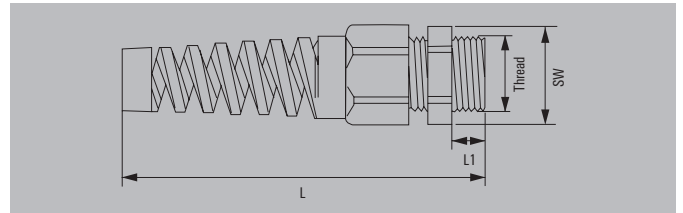
Typ	Thread	KB	L/L1	SW	TRQ CN min. / max.	TRQ B0 min. / max.	Qty.	Order No.
metric								
VG M12-1/K68	M 12 / 1.5	3-6.5	32.4 / 8	15	1.50 / 2.50	1.00 / 3.00	100	1772280000
VG M16 - K 68	M 16 / 1.5	5-10	39.7 / 10	22	2.00 / 3.00	1.00 / 4.00	50	1772290000
VG M16-1/K68	M 16 / 1.5	4-8	35.7 / 8	19	2.00 / 3.00	1.00 / 4.00	50	1909860000
VG M20-1/K68	M 20 / 1.5	6-12	41.2 / 10	24	4.50 / 5.50	2.00 / 5.00	50	1772300000
VG M25 - K 68	M 25 / 1.5	13-18	48.2 / 10	33	7.00 / 9.00	2.00 / 5.00	25	1772310000
VG M25-1/K68	M 25 / 1.5	11-17	43.2 / 8	29	7.00 / 9.00	2.00 / 5.00	25	1909870000
VG M32 - K 68	M 32 / 1.5	18-25	50.8 / 18	42	8.00 / 10.00	3.00 / 7.00	20	1772320000
VG M32-1/K68	M 32 / 1.5	15-21	50.7 / 10	36	8.00 / 10.00	3.00 / 7.00	20	1909880000
VG M40 - K 68	M 40 / 1.5	22-32	69.9 / 18	53	16.00 / 19.00	7.00 / 12.00	10	1772330000
VG M40-1/K68	M 40 / 1.5	19-28	55.2 / 10	46	16.00 / 19.00	7.00 / 12.00	10	1909890000
VG M50 - K 68	M 50 / 1.5	30-38	71.7 / 18	60	20.00 / 24.00	9.50 / 15.50	10	1772340000
VG M63-1/K68	M 63 / 1.5	34-44	72.9 / 18	65	20.50 / 25.50	12.50 / 18.50	10	1772350000
PG								
VG 7-K68	PG 7	3-6.5	30.5 / 8	15	1.50 / 2.50	1.20 / 1.80	100	1568970000
VG 9-K68	PG 9	4-8	34 / 8	19	2.00 / 3.00	1.20 / 1.80	50	1568980000
VG 11-K68	PG 11	5-10	37 / 8	22	2.00 / 3.00	1.50 / 2.50	50	1568990000
VG 13.5-K68	PG 13.5	6-12	39 / 9	24	4.50 / 5.50	2.50 / 3.50	50	1569000000
VG 16-K68	PG 16	10-14	42.5 / 10	27	5.00 / 6.00	2.50 / 4.50	50	1569010000
VG 21-K68	PG 21	13-18	48 / 11	33	5.00 / 6.00	7.00 / 9.00	25	1569020000
VG 29-K68	PG 29	18-25	53 / 11	42	7.00 / 8.00	7.50 / 10.50	20	1569030000
VG 36-K68	PG 36	22-32	65 / 13	53	14.50 / 15.50	9.50 / 12.50	10	1569040000
VG 42-K68	PG 42	30-38	68 / 13	60	17.00 / 19.00	12.00 / 16.00	10	1569050000
VG 48-K68	PG 48	34-44	69 / 14	65	19.00 / 21.00	12.00 / 16.00	10	1718770000

Note Long-thread version on request, halogen-free without sealing ring

Cable glands - Plastic - SKS



Plastic cable gland with spiral bending protection specially suited for flexible connections.



Technical data

Material / Colour	Polyamide 6 / RAL 7035
Seal insert	CR
Temperature range	-30 °C...80 °C
Protection degree	IP 68 - 5 bar (30 min.)
Flammability rating	V-2

Note Version with moulded sealing lip
Length L varies depending on the cable diameter used

Ordering data

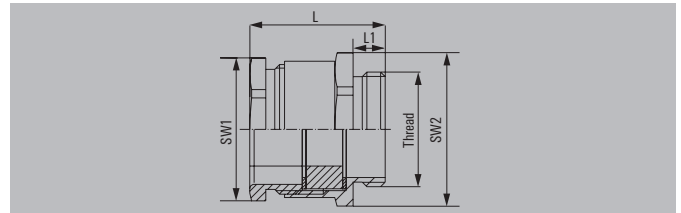
Typ	Thread	KB	L/L1	SW	TRQ CN min. / max.	TRQ B0 min. / max.	Qty.	Order No.
metric								
VGM12-K68 SKS	M 12 / 1.5	3-6.5	65 / 8	15	1.50 / 2.50	1.50 / 2.50	100	1776700000
VGM16-K68 SKS	M 16 / 1.5	5-10	90 / 10	22	2.00 / 3.00	2.00 / 3.00	50	1776710000
VGM20-K68 SKS	M 20 / 1.5	6-12	106 / 10	24	4.50 / 5.50	2.00 / 5.00	50	1778860000
VGM20-K68 SKS	M 20 / 1.5	10-14	116 / 10	27	5.00 / 6.00	2.00 / 5.00	50	1776720000
VGM25-K68 SKS	M 25 / 1.5	13-18	129 / 10	33	7.00 / 9.00	2.00 / 5.00	25	1776730000
PG								
VG 9-K68 SKS	PG 9	4-8	79 / 8	19	2.00 / 3.00	1.50 / 2.50	50	1720480000
VG 11-K68 SKS	PG 11	5-10	89 / 8	22	2.00 / 3.00	1.50 / 2.50	100	1720490000
VG 13.5-K68 SKS	PG 13.5	6-12	105 / 9	24	4.50 / 5.50	2.50 / 3.50	50	1720500000
VG 16-K68 SKS	PG 16	10-14	117 / 10	27	5.00 / 6.00	2.50 / 4.50	25	1720510000
VG 21-K68 SKS	PG 21	13-18	130 / 11	33	5.00 / 6.00	7.00 / 9.00	20	1720520000

Note VDE for metric variants, halogen free, without sealing ring

Cable glands - Brass - IP 54



Standard brass cable gland for industrial applications that require IP 54 protection.



Technical data

Material	Brass, nickel-plated
Seal insert	NBR
Temperature range	-20 °C...60 °C
Protection degree	IP 54

Note Optional sealing ring
Length „L“ varies depending on the cable diameter used.

Ordering data

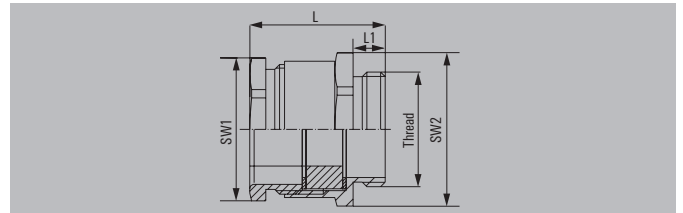
Typ	Thread	KB	L/L1	SW1/SW2	TRQ CN min. / max.	TRQ B0 min. / max.	Qty.	Order No.
metric								
VGM12-MS54	M 12 / 1.5	5-7	21.5 / 5	13 / 14	5.30 / 5.30	8.00 / 8.00	100	1778410000
VGM12-MS54	M 12 / 1.5	6-8	22 / 6	15 / 17	5.30 / 5.30	8.00 / 8.00	100	1778400000
VGM16-MS54	M 16 / 1.5	8-10	26 / 5	18 / 20	6.70 / 6.70	10.00 / 10.00	100	1778390000
VGM20-MS54	M 20 / 1.5	8-10	26.5 / 6	18 / 22	8.00 / 8.00	12.00 / 12.00	50	1778380000
VGM20-MS54	M 20 / 1.5	10-12	26.5 / 6.5	20 / 22	8.00 / 8.00	12.00 / 12.00	50	1778370000
VGM25-MS54	M 25 / 1.5	12-14	27.5 / 7	22 / 27	8.00 / 8.00	12.00 / 12.00	50	1778360000
VGM25-MS54	M 25 / 1.5	15-17	29.5 / 7	28 / 30	8.00 / 8.00	12.00 / 12.00	50	1778350000
VGM32-MS54	M 32 / 1.5	24-26	33 / 8	38 / 40	12.00 / 12.00	18.00 / 18.00	25	1778340000
VGM40-MS54	M 40 / 1.5	33-35	33 / 9	37 / 43	12.00 / 12.00	18.00 / 18.00	25	1778330000
VGM50-MS54	M 50 / 1.5	31-33	39 / 9	47 / 55	13.30 / 13.30	20.00 / 20.00	10	1778320000
VGM50-MS54	M 50 / 1.5	39-41	43 / 10	54 / 57	13.30 / 13.30	20.00 / 20.00	5	1778310000
VGM63-MS54	M 63 / 1.5	45-47	45 / 10	60 / 68	13.30 / 13.30	20.00 / 20.00	5	1778300000
PG								
VG 7-MS54	PG 7	5-7	20.5 / 5	13 / 14	4.20 / 4.20	6.25 / 6.25	100	0521500000
VG 9-MS54	PG 9	6-8	22 / 6	15 / 17	4.20 / 4.20	6.25 / 6.25	100	0261500000
VG 11-MS54	PG 11	8-10	26 / 6	18 / 20	4.20 / 4.20	6.25 / 6.25	50	0260700000
VG 13.5-MS54	PG 13.5	10-12	26 / 6.5	20 / 22	4.20 / 4.20	6.25 / 6.25	50	0260800000
VG 16-MS54	PG 16	12-14	27 / 6.5	22 / 24	5.00 / 5.00	7.50 / 7.50	50	0261400000
VG 21-MS54	PG 21	15-17	29.5 / 7	28 / 30	6.70 / 6.70	10.00 / 10.00	50	0260900000
VG 29-MS54	PG 29	24-26	33 / 8	37 / 40	6.70 / 6.70	10.00 / 10.00	25	0261000000
VG 36-MS54	PG 36	33-35	39 / 9	47 / 50	6.70 / 6.70	10.00 / 10.00	20	0497600000
VG 42-MS54	PG 42	39-41	44 / 10	54 / 57	6.70 / 6.70	10.00 / 10.00	10	0497700000
VG 48-MS54	PG 48	45-47	45 / 10	60 / 64	6.70 / 6.70	10.00 / 10.00	5	1718780000

Note Further versions on request

Cable glands - Brass - ZR



Brass cable gland with incision seal for standard industrial applications. The seal insert which is used contains several removable or separable inlets. This enables cables with a diameter of 4 mm to 41 mm to be connected.



Technical data

Material	Brass, nickel-plated
Seal insert	NBR
Temperature range	-20 °C...80 °C
Protection degree	IP 54

Note

Ordering data

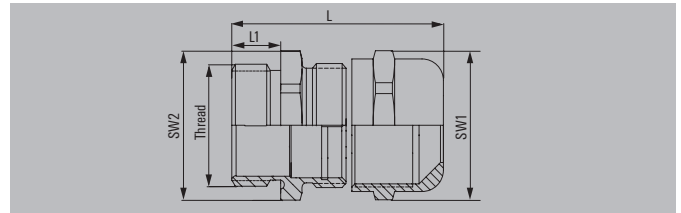
Typ	Thread	KB	L/L1	SW1/SW2	TRQ CN, min.	TRQ B0, min.	D1	D2	D3	D4	Qty.	Order No.
metric												
VG M20-MS54	M 20 / 1.5	4-13	26.5 / 6.5	22 / 24	3.05	6.25	4	7	10	13	50	1009560000
VG M25-MS54	M 25 / 1.5	8.5-18	27.5 / 7	28 / 30	3.66	7.50	8.5	11.5	14.5	18	25	1009570000
VG M32-MS54	M 32 / 1.5	16-26	33 / 8	37 / 40	4.88	10.00	16	19	22	25	25	1009580000
VG M40-MS54	M 40 / 1.5	23-30	33 / 33	47 / 50	4.88	10.00	23	26	29	32	10	1009590000
VG M50-MS54	M 50 / 1.5	32-40	39 / 39	54 / 57	4.88	10.00	32	35	38	41	5	1009600000
PG												
VGPG13.5-MS54	PG 13.5	7.5-12.5	22 / 6.5	20 / 22	4.20	6.25	7.5	10	12.5	0	50	1009610000
VG PG16-MS54	PG 16	7.5-15	27 / 6.5	22 / 24	5.00	7.50	7.5	10	12.5	15	50	1009620000
VG PG21-MS54	PG 21	10-19	29.5 / 7	28 / 30	6.70	10.00	10	13	16	19	25	1009630000
VG PG29-MS54	PG 29	18-27	33 / 8	37 / 40	6.70	10.00	18	21	24	27	25	1009640000
VG PG36-MS54	PG 36	24-33	39 / 9	47 / 50	6.70	10.00	24	27	30	33	10	1009650000
VG PG42-MS54	PG 42	30-39	44 / 10	54 / 57	6.70	10.00	30	33	36	39	5	1009670000

Note D1-D4 are the removable seal incisions from 4 mm to 41 mm.

Cable glands - Brass - IP 68



Standard brass cable gland for industrial applications that require IP 68 or IP 69K protection.



Technical data

Material	Brass, nickel-plated
O-ring / Seal insert	NBR / CR
Temperature range	-40 °C...100 °C
Clamp insert	Polyamide
Protection degree with GWDR	IP 68 - 5 bar, IP 69K

Note Length „L“ varies depending on the cable diameter used; IP 69K applies to all metric cable glands; the following thread sizes PG29, PG36, PG42 and PG48 are excluded from IP 69K.

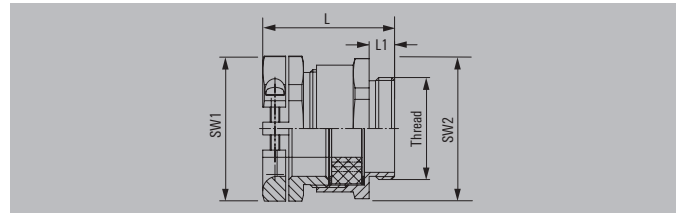
Ordering data

Typ	Thread	KB	L/L1	SW1/SW2	TRQ CN min. / max.	TRQ B0 min. / max.	Qty.	Order No.
metric								
VG M12 - MS 68	M 12 / 1.5	3-6.5	28 / 6	14 / 14	4.50 / 5.50	2.50 / 3.50	50	1772200000
VG M16 - MS 68	M 16 / 1.5	4-8	33 / 7	17 / 18	5.00 / 6.00	3.50 / 4.50	50	1772210000
VG M16-1/MS68	M 16 / 1.5	4.5-10	37.3 / 7	20 / 20	5.00 / 6.00	3.50 / 4.50	50	1909910000
VG M20 - MS 68	M 20 / 1.5	6-12	38 / 8	22 / 22	7.00 / 9.00	5.00 / 6.00	50	1772220000
VG M25 - MS 68	M 25 / 1.5	10-14	42 / 8	24 / 27	10.00 / 12.00	5.00 / 7.00	25	1772230000
VG M25-1/MS68	M 25 / 1.5	11-17	42 / 8	27 / 27	10.00 / 12.00	5.00 / 7.00	25	1909920000
VG M32 - MS 68	M 32 / 1.5	13-18	48 / 9	30 / 34	16.00 / 18.00	5.00 / 7.00	25	1772240000
VG M32-1/MS68	M 32 / 1.5	15-21	45 / 8	34 / 34	16.00 / 18.00	5.00 / 7.00	20	1909930000
VG M40 - MS 68	M 40 / 1.5	18-25	53 / 9	40 / 43	21.00 / 23.00	10.50 / 13.50	20	1772250000
VG M40-1/MS68	M 40 / 1.5	19-28	55.1 / 9	43 / 43	21.00 / 23.00	10.50 / 13.50	20	1909940000
VG M50 - MS 68	M 50 / 1.5	22-32	57 / 9	50 / 55	38.50 / 41.50	16.00 / 20.00	15	1772260000
VG M50-1/MS68	M 50 / 1.5	27-38	62.2 / 9	58 / 58	38.50 / 41.50	16.00 / 20.00	12	1909950000
VG M63 - MS 68	M 63 / 1.5	34-44	65 / 14	64 / 68	48.00 / 52.00	22.50 / 27.50	12	1772270000
PG (IP 69K)								
VG 7-MS68	PG 7	3-6.5	28 / 6	14 / 14	4.50 / 5.50	2.50 / 3.50	50	1569060000
VG 9-MS68	PG 9	4-8	28 / 6	17 / 17	5.00 / 6.00	3.50 / 4.50	50	1569070000
VG 11-MS68	PG 11	5-10	31 / 6	20 / 20	6.50 / 7.50	4.50 / 5.50	50	1569080000
VG 13.5-MS68	PG 13.5	6-12	31 / 6.5	22 / 22	7.00 / 9.00	4.50 / 6.50	50	1569090000
VG 16-MS68	PG 16	10-14	34 / 6.5	24 / 24	10.00 / 12.00	6.00 / 8.00	25	1569100000
VG 21-MS68	PG 21	13-18	39 / 7	30 / 30	16.00 / 18.00	9.00 / 11.00	25	1569110000
PG (IP68)								
VG 29-MS68	PG 29	18-25	47 / 8	40 / 50	21.00 / 23.00	13.50 / 16.50	20	1569120000
VG 36-MS68	PG 36	22-32	57 / 10	50 / 50	38.50 / 41.50	18.00 / 22.00	15	1569130000
VG 42-MS68	PG 42	30-38	60 / 12	58 / 58	43.00 / 47.00	25.00 / 29.00	12	1569140000
VG 48-MS68	PG 48	34-44	63 / 14	64 / 64	48.00 / 52.00	32.50 / 37.50	12	1718790000
Note	Long-thread version on request VDE for metric version							

Cable glands - Brass - ZE



Brass cable glands with external, centrally positioned strain relief provided by clamping jaws. The seal insert which is used contains several removable or separable inlets.



Technical data

Material	Brass, nickel-plated
Seal insert	NBR
Temperature range	-20 °C...80 °C
Protection degree	IP 54

Note Optional sealing ring
Length „L“ varies depending on the cable diameter used.

Ordering data

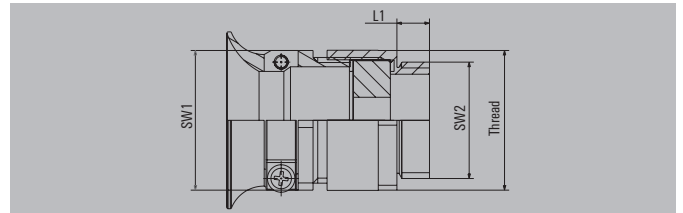
Typ	Thread	KB	KB ZE	L/L1	SW1/SW2	TRQ CN min. / max.	TRQ B0 min. / max.	Qty.	Order No.
metric									
VGM12-MS54 ZE	M 12 / 1.5	5-7	5.8-8	21.5 / 6	14 / 16	5.33 / 5.33	8.00 / 8.00	100	1778420000
VGM16-MS54 ZE	M 16 / 1.5	4-10	6.5-10	26 / 6	18 / 19	6.67 / 6.67	10.00 / 10.00	100	1778440000
VGM20-MS54 ZE	M 20 / 1.5	6.5-12.5	7.5-12	26.5 / 6.5	22 / 22	8.00 / 8.00	12.00 / 12.00	50	1778450000
VGM20-MS54 ZE	M 20 / 1.5	6.5-12.5	8.5-14	26.5 / 6.5	22 / 24	8.00 / 8.00	12.00 / 12.00	50	1778460000
VGM25-MS54 ZE	M 25 / 1.5	9-19	12-21	29.5 / 7	30 / 34	8.00 / 8.00	12.00 / 12.00	50	1778480000
VGM32-MS54 ZE	M 32 / 1.5	17-27	19-30	33 / 8	40 / 42	12.00 / 12.00	18.00 / 18.00	25	1778490000
VGM40-MS54 ZE	M 40 / 1.5	23-33	25-37	33 / 8	50 / 52	12.00 / 12.00	18.00 / 18.00	25	1778500000
VGM50-MS54 ZE	M 50 / 1.5	29-39	31-43	43 / 9	57 / 59	13.33 / 13.33	20.00 / 20.00	5	1778520000
VGM63-MS54 ZE	M 63 / 1.5	35-45	35-48	45 / 10	66 / 64	13.33 / 13.33	20.00 / 20.00	5	1778530000
PG									
VG 7-MS54-ZE	PG 7	5-7	5.8-8	27 / 5	14 / 16	4.20 / 4.20	6.25 / 6.25	50	1718800000
VG 9-MS54-ZE	PG 9	4-10	6.5-10	30.5 / 6	17 / 19	4.20 / 4.20	6.25 / 6.25	50	1718810000
VG 11-MS54-ZE	PG 11	6.5-12.5	7.5-12	31.5 / 6	20 / 22	4.20 / 4.20	6.25 / 6.25	50	1718820000
VG 13.5-MS54-ZE	PG 13.5	6.5-12.5	8.5-14	32 / 6.5	22 / 24	4.20 / 4.20	6.25 / 6.25	50	1718830000
VG 16-MS54-ZE	PG 16	6.5-15	9.5-17	33 / 6.5	24 / 27	5.00 / 5.00	7.50 / 7.50	50	1718840000
VG 21-MS54-ZE	PG 21	9-19	12-21	38 / 7	30 / 34	6.70 / 6.70	10.00 / 10.00	50	1718850000
VG 29-MS54-ZE	PG 29	17-27	19-30	43 / 8	40 / 40	6.70 / 6.70	10.00 / 10.00	25	1718860000
VG 36-MS54-ZE	PG 36	23-33	25-37	49.5 / 9	50 / 50	6.70 / 6.70	10.00 / 10.00	10	1718870000
VG 42-MS54-ZE	PG 42	29-39	31-43	53.5 / 10	57 / 57	6.70 / 6.70	10.00 / 10.00	5	1718880000
VG 48-MS54-ZE	PG 48	35-45	35-48	55 / 10	64 / 64	6.70 / 6.70	10.00 / 10.00	5	1718890000

Note Further versions on request

Cable glands - Brass - ZE - BS



Industrial brass cable glands with strain-relief and trumpet-shaped anti-bend mechanism for connecting non-stationary cables and lines. The seal insert which is used contains several removable or separable inlets.



Technical data

Material	Brass, nickel-plated
Seal insert	NBR
Temperature range	-20 °C...80 °C
Protection degree	IP 54

Note

Ordering data

Typ	Thread	KB	KB ZE	L/L1	SW1/SW2	TRQ CN min. / max.	TRQ BO min. / max.	Qty.	Order No.
metric									
VGM16-MS54ZE	M 16 / 1.5	4-10	6-9	5 / 6	18 / 22	6.70 / 6.70	10.00 / 10.00	50	1005190000
VGM16-MS54ZE	M 16 / 1.5	6.5-12.5	8-12	34 / 5	20 / 26	6.70 / 6.70	10.00 / 10.00	50	1005200000
VGM20-MS54ZE	M 20 / 1.5	6.5-12.5	8-12	37.8 / 6	22 / 26	8.00 / 8.00	12.00 / 12.00	50	1005210000
VGM20-MS54ZE	M 20 / 1.5	6.5-15	10-15	37.8 / 6.5	24 / 32	8.00 / 8.00	12.00 / 12.00	50	1005220000
VGM25-MS54ZE	M 25 / 1.5	9-19	14-20	44 / 7	30 / 38	8.00 / 8.00	12.00 / 12.00	25	1005230000
VGM32-MS54ZE	M 32 / 1.5	17-27	18-27	50.8 / 8	40 / 50	12.00 / 12.00	18.00 / 18.00	25	1005240000

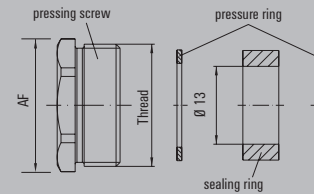
Note

Standard cable glands - Brass

Clamping screws - Brass - IP 65



The halved cable glands are designed for use in HDC - RockStar® base and hoods. The seal insert which is used contains several removable or separable inlets.



Technical data

Clamping screw material	Brass, nickel-plated
Sealing ring material	SBR/NBR
Pressure ring material	Polyamide
Temperature range	-20 °C...60 °C
Protection degree	IP 65

Note

Ordering data

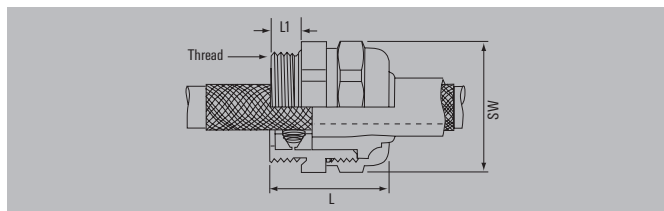
Typ metric	Thread	Inserts in mm	SW	Qty.	Order No.
VG H M20 MS	M 20 / 1.5	4 / 7 / 10 / 13	20	50	1921720000
VG H M25 MS	M 25 / 1.5	8.5 / 11.5 / 14.5 / 18	25	25	1921740000
VG H M32 MS	M 32 / 1.5	16 / 19 / 22 / 25	32	20	1921760000
VG H M40 MS	M 40 / 1.5	23 / 26 / 29 / 32	40	10	1921770000
PG					
KV 11-M	PG 11	7.5 / 10 / 12.5	10	10	1656390000
KV 13-M	PG 13	7.5 / 10 / 12.5	10	10	1656400000
KV 16-M	PG 16	7.5 / 10 / 12.5 / 15	10	10	1656410000
KV 21-M	PG 21	10 / 13 / 16 / 19	10	10	1656420000
KV 29-M	PG 29	18 / 21 / 24 / 27	10	10	1656430000

Note

Cable glands - Brass - EMC



Brass cable gland for shielding against interference frequencies with a screening attenuation of up to 100 dB. Contact with cable shield by means of spring washer.



Technical data

Material	Brass, nickel-plated
O-Ring	NBR
Temperature range	-40 °C...135 °C
Protection degree	IP 68 - 10 bar
Clamp insert	TPE

Note Length „L“ varies according to cable diameter used

Ordering data

Typ	Thread	KB	Shield Ø	L/L1	SW	TRQ CN min. / max.	TRQ BO min. / max.	Qty.	Order No.
metric									
VG EMV M18X1.5	M 18 / 1.5	6.5-9	3.50-7.50	41 / 10	24	9.00 / 30.00	30.00 / 30.00	50	1706920000
VG EMV M20X1.5	M 20 / 1.5	8-11	4.00-8.50	41 / 10	24	9.00 / 10.00	9.00 / 9.00	50	1706940000
VG EMV M24X1.5	M 24 / 1.5	14-18	9.50-16.50	43 / 11	30	10.00 / 10.00	10.00 / 10.00	50	1706930000
VG EMV M25X1.5	M 25 / 1.5	14-18	8.00-13.50	43 / 11	30	10.00 / 10.00	10.00 / 10.00	25	1706950000
PG									
VG EMV PG 7/9	PG 7	4-6.5	1.50-4.00	32 / 5	17	6.00 / 20.00	20.00 / 20.00	50	1713870000
VG EMV PG 9/11	PG 9	6.5-9.5	2.50-6.00	34 / 6	20	6.00 / 8.00	6.00 / 6.00	50	1706860000
VG EMV PG 11	PG 11	6.5-9	3.50-7.50	41 / 10	24	10.00 / 10.00	10.00 / 10.00	50	1706870000
VG EMV PG 13.5	PG 13.5	8-11	4.00-8.50	41 / 10	24	10.00 / 10.00	10.00 / 10.00	50	1706880000
VG EMV PG 16 K14	PG 16	10-14	6.50-11.50	43 / 11	30	10.00 / 10.00	10.00 / 10.00	25	1706890000
VG EMV PG 16 K18	PG 16	14-18	6.50-11.50	43 / 11	30	10.00 / 10.00	10.00 / 10.00	25	1713880000
VG EMV PG 21 K18	PG 21	17-20	12.50-17.50	45 / 11	35	10.00 / 15.00	10.00 / 10.00	10	1706900000
VG EMV PG K28	PG 21	17-20	12.50-17.50	45 / 11	35	8.00 / 15.00	8.00 / 8.00	10	1713890000
VG EMV PG 29 K26	PG 29	22-26	15.00-21.00	52 / 13	40	15.00 / 20.00	15.00 / 15.00	10	1706910000
VG EMV PG 29 K29	PG 29	25-29	22.00-25.00	58 / 13	50	20.00 / 20.00	20.00 / 20.00	5	1713900000
VG EMV PG36 K32-27	PG 36	27-32	24.00-30.50	54 / 9	50	15.00 / 30.00	15.00 / 15.00	10	1770410000

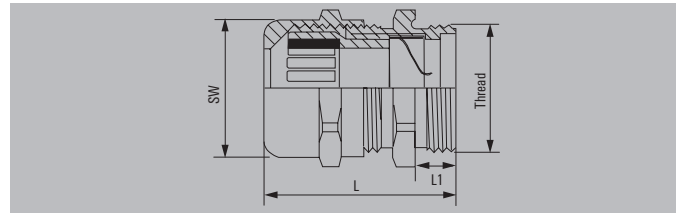
Note Further versions on request

EMC cable glands

Cable glands - Brass - 1/EMC



Brass cable gland for shielding against interference frequencies with a shield attenuation of up to 90 dB. Conical metal cage ensures multiple contacts with the cable shielding. On installation, the cable gland does not have to be divided into its individual parts, enabling particularly simple installation.



Technical data

Material	Brass, nickel-plated
O-ring / Seal insert	NBR / CR
Temperature range	-40 °C...100 °C
Protection degree	IP 68 - 10 bar
Clamp insert	Polyamide

Note Length „L“ varies according to cable diameter used

Ordering data

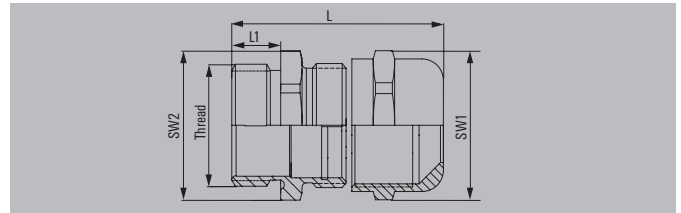
Typ metric	Thread	KB	Shield Ø	L/L1	SW	TRQ CN min. / max.	TRQ BO min. / max.	Qty.	Order No.
VG M12 - MS 1/EMV	M 12 / 1.5	3-6.5	3.00-6.50	28.5 / 6	14	6.00 / 8.00	8.00 / 10.00	50	1909490000
VG M16 - MS 1/EMV	M 16 / 1.5	4.5-10	4.00-10.00	37.3 / 7	20	5.00 / 7.00	8.00 / 10.00	50	1909500000
VG M20 - MS 1/EMV	M 20 / 1.5	6-12	5.00-12.00	38.8 / 8	22	8.00 / 10.00	12.00 / 15.00	50	1909510000
VG M25 - MS 1/EMV	M 25 / 1.5	11-17	10.00-17.00	42 / 8	27	6.00 / 8.00	9.00 / 12.00	25	1909520000
VG M32 - MS 1/EMV	M 32 / 1.5	15-21	13.50-21.00	45 / 8	34	6.00 / 10.00	9.00 / 15.00	20	1909530000
VG M40 - MS 1/EMV	M 40 / 1.5	19-28	17.00-28.00	55.1 / 9	43	7.00 / 10.00	10.00 / 15.00	10	1909540000
VG M50 - MS 1/EMV	M 50 / 1.5	27-38	25.00-38.00	62.2 / 9	58	20.00 / 30.00	30.00 / 45.00	10	1909550000
VG M63 - MS 1/EMV	M 63 / 1.5	34-44	31.00-44.00	71.5 / 14	64	23.00 / 28.00	30.00 / 40.00	5	1909560000

Note Further versions on request

Cable glands - Stainless steel - IP 68



Stainless steel cable glands for standard industrial applications that require a high degree of protection (IP 68). These cable glands - with their resistance to impact and sea water - are also suitable for use in applications under extreme environmental conditions.



Technical data

Material	Stainless steel 1.4305 (303)
O-Ring / Seal insert	NBR / CR
Temperature range	-40 °C...100 °C
Protection degree	IP 69K, IP 68 - 5 bar (30 min.)

Note

Ordering data

Typ metric	Thread	KB	L/L1	SW1/SW2	TRQ CN min. / max.	TRQ B0 min. / max.	Qty.	Order No.
VGM12-SS 68 KB 3-6.5	M 12 / 1.5	3-6.5	28 / 6	14 / 14	5.00 / 7.00	10.00 / 8.00	50	1009840000
VGM16-SS 68 KB 4-8	M 16 / 1.5	4-8	33 / 7	17 / 19	8.00 / 10.00	15.00 / 12.00	50	1009850000
VGM20-SS 68 KB 6-12	M 20 / 1.5	6-12	38 / 8	22 / 22	12.00 / 15.00	22.00 / 16.00	50	1009860000
VGM25-SS 68 KB 10-14	M 25 / 1.5	10-14	42 / 8	24 / 27	15.00 / 20.00	30.00 / 22.00	25	1009870000
VGM32-SS 68 KB 13-18	M 32 / 1.5	13-18	48 / 9	30 / 36	28.00 / 35.00	50.00 / 40.00	20	1009880000
VGM40-SS 68 KB 18-25	M 40 / 1.5	18-25	53 / 9	41 / 46	30.00 / 40.00	60.00 / 45.00	20	1009890000
VGM50-SS 68 KB 22-32	M 50 / 1.5	22-32	57 / 9	50 / 55	35.00 / 45.00	60.00 / 50.00	12	1009900000
VGM63-SS 68 KB 34-44	M 63 / 1.5	34-44	65 / 14	65 / 70	45.00 / 55.00	70.00 / 60.00	10	1009910000
PG								
VG 7-SS 68 KB 3-6.5	PG 7	3-6.5	28 / 6	14 / 14	5.00 / 7.00	10.00 / 8.00	50	1009740000
VG 9-SS 68 KB 4-8	PG 9	4-8	28 / 6	17 / 17	8.00 / 10.00	15.00 / 12.00	50	1009750000
VG 11-SS 68 KB 5-10	PG 11	5-10	31 / 6	22 / 22	10.00 / 13.00	20.00 / 15.00	50	1009760000
VG 16-SS 68 KB 10-14	PG 16	10-14	34 / 6.5	24 / 24	15.00 / 20.00	30.00 / 22.00	25	1009780000
VG 21-SS 68 KB 13-18	PG 21	13-18	39 / 7.5	30 / 30	28.00 / 35.00	50.00 / 40.00	25	1009790000
VG 29-SS 68 KB 18-25	PG 29	18-25	47 / 8	41 / 41	30.00 / 40.00	60.00 / 45.00	20	1009800000
VG 36-SS 68 KB 22-32	PG 36	22-32	57 / 9	50 / 50	35.00 / 45.00	60.00 / 50.00	15	1009810000
VG 42-SS 68 KB 30-38	PG 42	30-38	60 / 12	60 / 60	40.00 / 50.00	70.00 / 55.00	12	1009820000
VG 48-SS 68 KB 34-44	PG 48	34-44	63 / 14	65 / 65	45.00 / 55.00	70.00 / 60.00	10	1009830000

Note 1.4404 (316L) on request

Overview: Klippon® cable glands and selection tool

ATEX / IECEx certified cable glands and stopping plugs

Cable Gland Type	Outer Elastomeric Seal	Inner Elastomeric Seal	Lead Option	Armour Clamp	Certification	IP Rating	Page No.
KDSU	YES	YES	NO	Universal	Ex d / Ex e	IP 68	C.30
KDSW	YES	YES	YES	Steel wire	Ex d / Ex e	IP 66, IP 68	C.34
KDSX	YES	YES	NO	Braided	Ex d / Ex e	IP 66, IP 68	C.40
KUB	YES	Compound	NO	Universal	Ex d	IP 68	C.44
KSG	YES	NO	NO	No	Ex d / Ex e	IP 66, IP 68	C.42

General

Health & Safety

When Weidmüller cable glands and the accessories are used and installed as prescribed within the data sheet provided, they will not cause any danger or hazard to the health or safety of persons, animals or property. The products should be installed by suitably trained/skilled personnel and in full accordance with the relevant legislative regulations and the accepted code of practice for the industry concerned.

Warning

Weidmüller cable glands and accessories should not be used within any application other than those specified for each product, unless Weidmüller issue a statement in writing that the product is suitable for the specified application. For further information on each product, we refer you to the specific Assembly Instructions and General Arrangement drawings, which are available on request. Weidmüller takes no responsibility for any damage, injury or other consequential loss caused where the glands are not installed or used according to our Assembly Instructions.

Installation in hazardous area applications

If cable glands and accessories are installed in hazardous area applications, international and national standards of the Explosion Protection have to be considered.

Klippon® KDSU Cable Glands

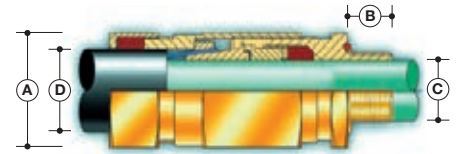
The KDSU type glands provide a universal armour clamp for steel wire, steel tape, screened or braided cables. An electrical bond between the cable armour and the gland is ensured. The gland can also be used to terminate un-armoured cables. In addition, the gland is fitted with two separate seals to seal the outer and inner cable insulation.

When choosing the gland with a neoprene sealing a temperature range from -20 °C to +85 °C will be achieved. Whereas the gland with silicone sealing ensures a temperature range from -60 °C to +180 °C.

With both sealing materials an IP rating of IP 68 to 25 metres (30 min. at 2.5 bar) is maintained. The KDSU type gland is approved for Flameproof Ex d and Increased Safety Ex e applications.

Structure of the part description

Order key	[Type]	[a]	[b]	[c]	[d]	[e]	[f]	[ggg]
Example article description	KDSU	M20	B	S	0	SC	1	G16
Meaning	[Type] = Gland type (KDSU)	[a] = Entry thread (M20-M75)	[b] = Material (B = brass)	[c] = Seal material (S = Silicone, N = Neoprene)	[d] = Continuity for lead sheath (L = yes, 0 = no)	[e] = Plating (SC = self-coloured, NI = Nickel)	[f] = Cable outer sheath (1 = Reduced, 2 = Standard)	[ggg] = Gland size (G16-G75)
Note	Refer to page C.27 Selection Guide Klippon® Cable Glands to determine the suitable order number							



Dimensions

Gland Size [ggg]	Entry thread [a]	Entry thread Length [B]	Max Outer Diameter [A]	Max Length	Gland Seal Range						Armour Acceptance Range	Shroud Size
					Cable Inner Sheath [C]		Cable Outer Sheath [D]					
					Min	Max	Standard [f] = 2		Reduced [f] = 1			
G16	M20	16	28.0	78.0	3.4	8.4	9.0	13.5	6.7	10.3	0.15 - 1.25	L24
G20S	M20	16	28.0	78.0	7.2	11.7	11.5	16.0	9.4	12.5	0.15 - 1.25	L24
G20	M20	16	33.0	78.0	9.4	14.0	15.5	21.1	12.0	17.6	0.15 - 1.25	EL30
G25	M25	16	41.4	90.0	13.5	20.0	20.3	27.4	16.8	23.9	0.15 - 1.60	EL38
G32	M32	16	50.6	105.0	19.5	26.3	26.7	34.0	23.2	30.5	0.15 - 2.00	EL46
G40	M40	16	60.5	113.0	23.0	32.2	33.0	40.6	28.6	36.2	0.20 - 2.00	EL55
G50S	M50	16	71.5	125.0	28.1	38.2	39.4	46.7	34.8	42.4	0.30 - 2.50	EL65
G50	M50	16	71.5	125.0	33.1	44.1	45.7	53.2	41.1	48.5	0.30 - 2.50	EL65
G63S	M63	19	88.0	125.0	39.2	50.1	52.1	59.5	47.5	54.8	0.30 - 2.50	EL80
G63	M63	19	88.0	125.0	46.7	56.0	58.4	65.8	53.8	61.2	0.30 - 2.50	EL80
G75S	M75	19	99.0	131.0	52.1	62.0	64.8	72.2	60.2	68.0	0.30 - 2.50	EL90
G75	M75	19	99.0	131.0	58.0	68.0	71.1	78.0	66.5	73.4	0.30 - 2.50	EL90
Dimensions in mm												

Important Notes

- The gland size does not necessarily equate to the entry thread size.
- In some cases several gland sizes can be chosen due to overlapping inner as well as outer cable diameters. Due to the wide range of armoured cables available, it is necessary to select the correct clamping range. This is achieved by taking the inner and outer clamping range values to determine the best fit (as close as possible to the Min/Max values average).
- All cable glands have a 1.5 mm pitch.
- For Flameproof Ex d applications the female thread into which the gland is to be fitted must achieve an engagement of at least 5 full threads in compliance with clause 5.3 of EN/IEC 60079-1.
- Where KDSU glands are fitted into non-metallic Increased Safety Ex e enclosures they must be included within the earth circuit of the system.
- Fully assembly instructions are supplied with the glands. The instructions must be read prior to installation and adhered to in full.
- When the gland is used to terminate un-armoured cables, the gland is suitable only for fixed installation.

The KDSW glands provide an armour clamp for steel wire, steel tape and lead sheathed cables. An electrical bond between the cable armour and the gland is ensured. In addition, the gland is fitted with two separate sealings to seal the outer and inner cable insulation.

When choosing the gland with a neoprene sealing a temperature range from -20 °C to +85 °C will be achieved, whereas the gland with silicone sealing ensures a temperature range from -60 °C to +180 °C. With both sealing materials an IP rating of IP 66 and IP 68 to 25 metres (30 min at 2.5 bar) is maintained. The KDSW gland is approved for Flameproof Ex d and Increased Safety Ex e applications.

Structure of the part description

Order key	[Type]	[a]	[b]	[c]	[d]	[e]	[f]	[ggg]
Example article description	KDSW	M20	B	S	L	SC	1	G16
Meaning	[Type] = Gland type (KDSW) [a] = Entry thread (M20-M75) [b] = Material (B = brass) [c] = Seal material (S = Silicone, N = Neoprene) [d] = Continuity for lead sheath (L = yes, O = no) [e] = Plating (SC = self-coloured, NI = Nickel) [f] = Cable outer sheath (1 = Reduced, 2 = Standard) [ggg] = Gland size (G16-G75)							
Note	Refer to page C.27 Selection Guide Klippon® Cable Glands to determine the suitable order number							



Dimensions

Gland Size [ggg]	Entry thread [a]	Entry thread Length [B]	Max Outer Diameter [A]	Max Length	Gland Seal Range						Armour Acceptance Range	Shroud Size
					Cable Inner Sheath [C]		Cable Outer Sheath [D]					
							Standard [f] = 2		Reduced [f] = 1			
					Min	Max	Min	Max	Min	Max		
G16	M20	16	26.5	58.0	4.0	8.4	8.4	13.5	4.9	10.0	0.90	L24
G20S	M20	16	26.5	58.0	8.0	11.7	11.5	16.0	9.4	12.5	0.90 - 1.25	L24
G20	M20	16	33.0	58.0	6.7	14.0	15.5	21.1	12.0	17.6	0.90 - 1.25	L30
G25	M25	16	41.4	58.0	13.0	20.0	20.3	27.4	16.8	23.9	1.25 - 1.60	L38
G32	M32	16	50.6	65.0	19.0	26.3	26.7	34.0	23.2	30.5	1.60 - 2.00	L46
G40	M40	16	60.5	72.0	25.0	32.2	33.0	40.6	28.6	36.2	1.60 - 2.00	L55
G50S	M50	16	71.5	73.0	31.5	38.2	39.4	46.7	34.8	42.4	2.00 - 2.50	L65
G50	M50	16	71.5	73.0	36.5	44.1	45.7	53.2	41.1	48.5	2.00 - 2.50	L65
G63S	M63	19	88.0	76.0	42.5	50.1	52.1	59.5	47.5	54.8	2.50	L80
G63	M63	19	88.0	76.0	49.5	56.0	58.4	65.8	53.8	61.2	2.50	L80
G75S	M75	19	99.0	82.0	54.5	62.0	64.8	72.2	60.2	68.0	2.50	L90
G75	M75	19	99.0	82.0	60.5	68.0	71.1	78.0	66.5	73.4	2.5	L90

Dimensions in mm

Important Notes

- The gland size does not necessarily equate to the entry thread size.
- In some cases several gland sizes can be chosen due to overlapping inner as well as outer cable diameters. Due to the wide range of armoured cables available, it is necessary to select the correct clamping range. This is achieved by taking the inner and outer clamping range values to determine the best fit (as close as possible to the Min/Max values average).
- All cable glands have a 1.5 mm pitch.
- For Flameproof Ex d applications the female thread into which the gland is to be fitted must achieve an engagement of at least 5 full threads in compliance with clause 5.3 of EN/IEC 60079-1.
- Where KDSW glands are fitted into non-metallic Increased Safety Ex e enclosures they must be included within the earth circuit of the system.
- Fully assembly instructions are supplied with the glands. The instructions must be read prior to installation and adhered to in full.
- When the gland is used to terminate un-armoured cables, the gland is suitable only for fixed installation.
- KDSW gland size G20 with silicone seal, the silicone inner seal only seals to a minimum of 11 mm and NOT 6.7 mm.

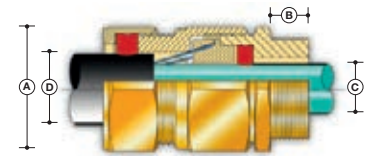
Klippon® KDSX Cable Glands

The KDSX glands provide an armour clamp for braided cables. An electrical bond between the cable armour and the gland is ensured. In addition, the gland is fitted with two separate sealings to seal the outer and inner cable insulation.

The gland maintains a temperature range from -60 °C to +180 °C. With both sealing materials an IP rating of IP 66 and IP 68 to 25 metres (30 min at 2.5 bar) is maintained. The KDSX gland is approved for Flameproof Ex d and Increased Safety Ex e applications.

Structure of the part description

Order key	[Type]	[a]	[b]	[c]	[d]	[e]	[f]	[ggg]
Example article description	KDSX	M20	B	S	0	SC	1	G16
Meaning	[Type] = Gland type (KDSX) [a] = Entry thread (M20-M75) [b] = Material (B = brass) [c] = Seal material (S = Silicone) [d] = Continuity for lead sheath (L = yes, 0 = no) [e] = Plating (SC = self-coloured, NI = Nickel) [f] = Cable outer sheath (1 = Reduced, 2 = Standard) [ggg] = Gland size (G16-G75)							
Note	Refer to page C.27 Selection Guide Klippon® Cable Glands to determine the suitable order number							



Dimensions

Gland Size [ggg]	Entry thread [a]	Entry thread Length [B]	Max Outer Diameter [A]	Max Length	Gland Seal Range						Armour Acceptance Range	Shroud Size
					Cable Inner Sheath [C]		Cable Outer Sheath [D]					
					Min	Max	Standard [f] = 2		Reduced [f] = 1			
G16	M20	16	26.5	58.0	4.0	8.4	8.4	13.5	4.9	10.0	0.15 - 0.35	L24
G20S	M20	16	26.5	58.0	8.0	11.7	11.5	16.0	9.4	12.5	0.15 - 0.35	L24
G20	M20	16	33.0	58.0	6.7	14.0	15.5	21.1	12.0	17.6	0.15 - 0.50	L30
G25	M25	16	41.4	58.0	13.0	20.0	20.3	27.4	16.8	23.9	0.15 - 0.50	L38
G32	M32	16	50.6	65.0	19.0	26.3	26.7	34.0	23.2	30.5	0.15 - 0.55	L46
G40	M40	16	60.5	72.0	25.0	32.2	33.0	40.6	28.6	36.2	0.20 - 0.60	L55
G50S	M50	16	71.5	73.0	31.5	38.2	39.4	46.7	34.8	42.4	0.20 - 0.60	L65
G50	M50	16	71.5	73.0	36.5	44.1	45.7	53.2	41.1	48.5	0.30 - 0.80	L65
G63S	M63	19	88.0	76.0	42.5	50.1	52.1	59.5	47.5	54.8	0.30 - 0.80	L80
G63	M63	19	88.0	76.0	49.5	56.0	58.4	65.8	53.8	61.2	0.30 - 0.80	L80
G75S	M75	19	99.0	82.0	54.5	62.0	64.8	72.2	60.2	68.0	0.30 - 1.00	L90
G75	M75	19	99.0	82.0	60.5	68.0	71.1	78.0	66.5	73.4	0.30 - 1.00	L90
Dimensions in mm												

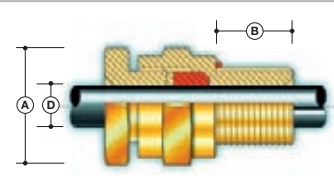
Important Notes

- The gland size does not necessarily equate to the entry thread size.
- In some cases several gland sizes can be chosen due to overlapping inner as well as outer cable diameters. Due to the wide range of armoured cables available, it is necessary to select the correct clamping range. This is achieved by taking the inner and outer clamping range values to determine the best fit (as close as possible to the Min/Max values average).
- All cable glands have a 1.5 mm pitch.
- For Flameproof Ex d applications the female thread into which the gland is to be fitted must achieve an engagement of at least 5 full threads in compliance with clause 5.3 of EN/IEC 60079-1.
- Where KDSX glands are fitted into non-metallic Increased Safety Ex e enclosures they must be included within the earth circuit of the system.
- Fully assembly instructions are supplied with the glands. The instructions must be read prior to installation and adhered to in full.
- When the gland is used to terminate un-armoured cables, the gland is suitable only for fixed installation.
- KDSX gland size G20 with silicone seal, the silicone inner seal only seals to a minimum of 11 mm and NOT 6.7 mm.

The KSG gland is designed to terminate un-armoured cables. When choosing the gland with a neoprene sealing a temperature range from -20 °C to +85 °C will be achieved, whereas the gland with silicone sealing ensures a temperature range from -60 °C to +180 °C. With both sealing materials an IP rating of IP 66 and IP 68 to 25 metres (30 min. at 2.5 bar) is maintained. The KSG type gland is approved for Flameproof Ex d and Increased Safety Ex e applications.

Structure of the part description

Order key	[Type]	[a]	[b]	[c]	[d]	[e]	[f]	[ggg]
Example article description	KSG	M20	B	S	0	SC	2	G16
Meaning	[Type] = Gland type (KSG) [a] = Entry thread (M20-M90) [b] = Material (B = brass) [c] = Seal material (S = Silicone, N = Neoprene) [d] = Continuity for lead sheath (L = yes, 0 = no) [e] = Plating (SC = self-coloured, NI = Nickel) [f] = Cable outer sheath (2 = Standard) [ggg] = Gland size (G16-G90)							
Note	Refer to page C.27 Selection Guide Klippon® Cable Glands to determine the suitable order number							



Dimensions

Gland Size [ggg]	Entry thread [a]	Entry thread Length [B]	Max Outer Diameter [A]	Max Length	Gland Seal Range		Shroud Size
					Cable Outer Sheath [D]		
					Standard [f] = 2		
					Min	Max	
G16	M20	16	28.0	33.0	4.0	8.4	L24
G20S	M20	16	28.0	33.0	7.2	11.7	L24
G20	M20	16	33.0	33.0	9.6	14.0	L30
G25	M25	16	41.4	33.0	13.5	20.0	L38
G32	M32	16	50.6	33.0	19.5	26.3	L46
G40	M40	16	60.5	37.0	23.0	32.2	L55
G50S	M50	16	71.5	37.0	28.2	38.2	L65
G50	M50	16	71.5	37.0	33.2	44.1	L65
G63S	M63	19	88.0	37.0	39.3	50.1	L80
G63	M63	19	88.0	37.0	46.7	56.0	L80
G75S	M75	19	99.0	37.0	52.3	62.0	L90
G75	M75	19	99.0	37.0	58.1	69.0	L90
G85	M85	25	115.2	50	69.1	78.0	L104
G90	M90	25	125.7	50	74.1	84.0	L114

Dimensions in mm

Important Notes

- The gland size does not necessarily equate to the entry thread size.
- In some cases several gland sizes can be chosen due to overlapping inner as well as outer cable diameters. Due to the wide range of armoured cables available, it is necessary to select the correct clamping range. This is achieved by taking the inner and outer clamping range values to determine the best fit (as close as possible to the Min/Max values average).
- All cable glands have a 1.5 mm pitch.
- For Flameproof Ex d applications the female thread into which the gland is to be fitted must achieve an engagement of at least 5 full threads in compliance with clause 5.3 of EN/IEC 60079-1.
- Where KSG glands are fitted into non-metallic Increased Safety Ex e enclosures they must be included within the earth circuit of the system.
- Fully assembly instructions are supplied with the glands. The instructions must be read prior to installation and adhered to in full.
- When the gland is used to terminate un-armoured cables, the gland is suitable only for fixed installation.

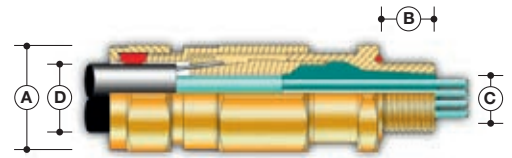
Klippon® KUB Cable Glands

The KUB gland provide an armour clamp for steel tape, steel wire and braided cables. An electrical bond between the cable armour and the gland is ensured. The gland can also be used to terminate unarmoured cables. Additionally, the gland provides a single pull resistant seal on the outer sheath of any cable. After clamping the cable armour onto the cone, the cable has to be filled with the provided compound to seal the free spaces between the single conductors.

The gland maintains a temperature range from -60 °C to +85 °C. When filled, the gland fulfills an IP rating of IP 68 to 100 metres (30 Min. at 10 bar). The KUB gland is only suitable for Ex d applications.

Structure of the part description

Order key	[Type]	[a]	[b]	[c]	[d]	[e]	[f]	[ggg]
Example article description	KUB	M20	B	S	0	SC	1	G16
Meaning	[Type] = Gland type (KUB) [a] = Entry thread (M20-M75) [b] = Material (B = brass) [c] = Seal material (S = Silicone) [d] = Continuity for lead sheath (L = yes, 0 = no) [e] = Plating (SC = self-coloured, NI = Nickel) [f] = Cable outer sheath (1 = Reduced, 2 = Standard) [ggg] = Gland size (G16-G75)							
Note	Refer to page C.27 Selection Guide Klippon® Cable Glands to determine the suitable order number							



Dimensions

Gland Size	Entry thread	Entry thread Length	Max Outer Diameter	Max Length	Gland Seal Range						Armour Acceptance Range	Shroud Size	
					Cable Inner Sheath [C]			Cable Outer Sheath [D]					
					X	Y	Z	Standard [f] = 2		Reduced [f] = 1			
Min	Max	Min	Max										
[ggg]	[a]	[B]	[A]										
G16	M20	16	28.0	72.0	7	9.0	11.7	9.0	13.5	6.7	10.3	0.15 - 1.25	L24
G20S	M20	16	28.0	72.0	8	10.4	11.7	11.5	16.0	9.4	12.5	0.15 - 1.25	L24
G20	M20	16	33.0	73.0	14	12.5	14.0	15.5	21.1	12.0	17.6	0.15 - 1.25	EL30
G25	M25	16	41.4	83.0	25	17.8	20.0	20.3	27.4	16.8	23.9	0.15 - 1.60	EL38
G32	M32	16	50.6	103.0	50	23.5	26.3	26.7	34.0	23.2	30.5	0.15 - 2.00	EL46
G40	M40	16	60.5	105.0	80	28.8	32.2	33.0	40.6	28.6	36.2	0.20 - 2.00	EL55
G50S	M50	16	71.5	115.0	100	34.2	38.2	39.4	46.7	34.8	42.4	0.30 - 2.50	EL65
G50	M50	16	71.5	115.0	100	39.4	44.1	45.7	53.2	41.1	48.5	0.30 - 2.50	EL65
G63S	M63	19	88.0	115.0	120	44.8	50.1	52.1	59.5	47.5	54.8	0.30 - 2.50	EL80
G63	M63	19	88.0	115.0	120	50.0	56.0	58.4	65.8	53.8	61.2	0.30 - 2.50	EL80
G75S	M75	19	99.0	122.0	140	55.4	62.0	64.8	72.2	60.2	68.0	0.30 - 2.50	EL90
G75	M75	19	99.0	122.0	140	60.8	68.0	71.1	78.0	66.5	73.4	0.30 - 2.50	EL90

Dimensions in mm

Important Notes

- The gland size does not necessarily equate to the entry thread size.
- In some cases several gland sizes can be chosen due to overlapping inner as well as outer cable diameters. Due to the wide range of armoured cables available, it is necessary to select the correct clamping range. This is achieved by taking the inner and outer clamping range values to determine the best fit (as close as possible to the Min/Max values average).
- X = Maximum numbers of cores
- Y = Maximum over cores
- Z = Maximum inner sheath
- All cable glands have a 1.5 mm pitch.
- For Flameproof Ex d applications the female thread into which the gland is to be fitted must achieve an engagement of at least 5 full threads in compliance with clause 5.3 of EN/IEC 60079-1.
- Where KUB glands are fitted into non-metallic Increased Safety Ex e enclosures they must be included within the earth circuit of the system
- Fully assembly instructions are supplied with the glands. The instructions must be read prior to installation and adhered to in full.
- When the gland is used to terminate un-armoured cables, the gland is suitable only for fixed installation

Selection Guide Klippon® Cable Glands

Purpose: Generation of the article description

By selecting the suitable cable gland different factors have to be considered, such as

- The environment of the application
- The conditions inside the enclosure
- The construction of the cable

By using the Selection Guide Klippon® Cable Glands the article description will be generated following the step by step process to create the 7 character order key. From this the order number can be identified.

The order key consists out of the following attributes:

Order key	[Type]	[a]	[b]	[c]	[d]	[e]	[f]	[ggg]
Example Article Description	KDSU	M20	B	S	0	SC	1	G16
Meaning	[Type] = Gland type (KDSU, KDSW, KDSX, KSG, KUB)	[a] = Entry thread (M20-M75)	[b] = Material (B = brass)	[c] = Seal material (S=Silicone, N=Neoprene)	[d] = Continuity for lead sheath (L = yes, 0 = no)	[e] = Plating (SC = self-coloured, NI = nickel-plated)	[f] = Cable outer sheath (1 = Reduced, 2 = Standard)	[ggg] = Gland size (G16-G75)

Application example

Within an Ex d application on an Off-Shore platform a suitable cable gland for the termination into an enclosure is required.

Following details about the application are given:

- The enclosure will be used for the control of a motor circuit breaker
- The enclosure has a volume of 1.3 dm³ and is installed outdoor.
- The application is in the field, a place in which an explosive atmosphere is likely to occur in normal operation, occasionally (Zone 1)
- The surrounding atmosphere of the enclosure consists Ethylene (gas group IIB)
- The enclosure operates in a temperature range of -25 °C to +45 °C
- The armour of the cable is unknown, no lead sheathed cable
- The cable outer sheath diameter is 10 mm
- The cable inner sheath diameter is 8 mm

Based on the information in the above shown example case the article description will be determined on the following pages.

1. Selection of the cable gland type [type] and continuity for lead sheath [d]

Order key	[Type]	[a]	[b]	[c]	[d]	[e]	[f]	[ggg]
Example Article Description								

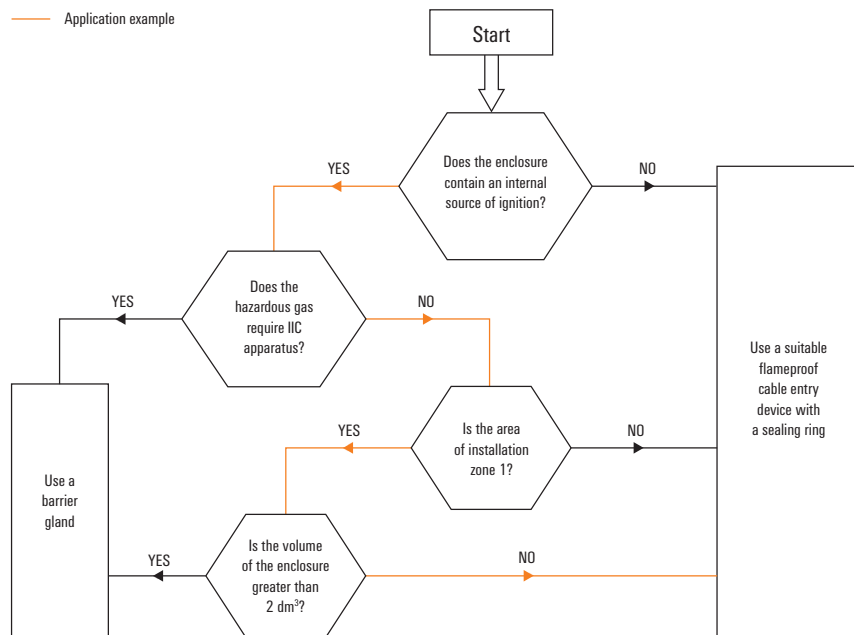
C

1a) Selection of the cable gland type in regard to the ignition protection type

[Type]	Ignition Protection Type
KDSU	Ex d / Ex e
KDSW	Ex d / Ex e
KDSX	Ex d / Ex e
KSG	Ex d / Ex e
KUB	Ex d

Because it is an Ex d application all cable gland types (marked in blue) can come into consideration.

For Ex d applications the following questionnaire according to the IEC 60079-14 standard has to be passed to find out if a barrier gland ([Type]=KUB) or if a cable gland with a sealing ring ([Type]=KDSU,KDSW,KDSX) has to be used.



By passing this questionnaire with the given information of the example case the orange marked way has to be followed and the result is that a cable gland with sealing ring has to be used. Consequently the blue marked cable gland types below can come into consideration.

Gland type	Type of sealing
KDSU	Sealing ring
KDSW	Sealing ring
KDSX	Sealing ring
KSG	Sealing ring
KUB	Compound

1b) Selection of the cable gland type in regard to the continuity for lead sheath

[Type]	[d]	Continuity for lead sheath
KDSU	0	No
KDSW	L / 0	Yes
KDSX	0	No
KSG	0	No
KUB	0	No

In the example case a cable without lead sheath is to be terminated, therefore the option to clamp a lead sheathed cable is not needed. Consequently is

[d] = 0

All four gland types marked in blue can be used.

1c) Selection of the cable gland type in regard to the type of armour

[Type]	Armour
KDSU	Universal
KDSW	Steel wire, steel tape
KDSX	Braided
KSG	No armour
KUB	Universal

Because the type of armour of the cable is unknown, the cable gland type KDSU has to be selected. Consequently is

[Type] = KDSU

The generated information has to be filled into the order key below:

Order key	[Type]	[a]	[b]	[c]	[d]	[e]	[f]	[ggg]
Example Article Description	KDSU				0			

2. Selection of the material [b], the sealing material [c] and the plating [e] of the cable gland

Order key	[Type]	[a]	[b]	[c]	[d]	[e]	[f]	[ggg]
Example Article Description	KDSU				0			

2a) Selection of the material [b]

All cable gland types are made from brass "b". Other materials can also be provided upon request. Consequently is

[b] = B

2b) Selection of the sealing material [c] based on the required temperature range

The cable glands can be ordered with either a neoprene seal "N" or a silicone seal "S". Glands with a neoprene seal can be used in a temperature range from -20 °C to +85 °C, whereas glands with silicone seal maintain a temperature range from -60 °C to +180 °C. (KUB glands are certified to a temperature of -60 °C to +85 °C).

[Type]	[c]	Seal material
KDSU	N,S	Neoprene, Silicone
KDSW	N,S	Neoprene (with continuity for lead sheath), Silicone
KDSX	S	Silicone
KSG	N,S	Neoprene, Silicone
KUB	N	Silicone (-60 °C to +85 °C)

Because the enclosure in the example case operates in a temperature range of -25 °C to +45 °C, a cable gland with a silicone seal has to be used. Consequently is

[c] = „S“ (Silicone)

2c) Selection of the plating [e]

All cable glands can be provided either with nickel plated surface "NI" or with self-coloured surface "SC".

In the example case the enclosure is used outdoor, therefore it can come into contact with water in form of rain, so that a cable gland with nickel plated surface as protection against corrosion and wear has to be selected. Consequently is [e] = „NI“

The generated information has to be filled into the order key below:

Order key	[Type]	[a]	[b]	[c]	[d]	[e]	[f]	[ggg]
Example Article Description	KDSU		B	S	0	NI		

3. Selection of the entry thread [a], the cable outer sheath variant [f] and the gland size [ggg]

Order key	[Type]	[a]	[b]	[c]	[d]	[e]	[f]	[ggg]
Example Article Description	KDSU		B	S	0	NI		

The suitable gland size [ggg] will be selected based on the inner and outer sheath diameters of the cable. Thereby the entry thread size [a] and the cable outer sheath variant [f] result.

In the example case the following diameters are given:

Cable Outer Sheath: 10 mm (By looking into the below shown dimensions chart of the KDSU the orange marked clamping ranges (Cable Outer Sheath [D]) can be selected).

Cable Inner Sheath: 8 mm (By looking into the below shown dimensions chart of the KDSU the orange marked clamping ranges (Cable Inner Sheath [C]) can be selected).

Dimensions

Gland Size [ggg]	Entry thread	Entry thread Length [B]	Max Outer Diameter [A]	Max Length	Gland Seal Range						Armour Acceptance Range	Shroud Size
					Cable Inner Sheath [C]		Cable Outer Sheath [D]					
					Min	Max	Standard [f]=2		Reduced [f]=1			
							Min	Max	Min	Max		
G16	M20	16	28.0	78.0	3.4	8.4	9.0	13.5	6.7	10.3	0.15 - 1.25	L24
G20S	M20	16	28.0	78.0	7.2	11.7	11.5	16.0	9.4	12.5	0.15 - 1.25	L24
G20	M20	16	33.0	78.0	9.4	14.0	15.5	21.1	12.0	17.6	0.15 - 1.25	EL30
G25	M25	16	41.4	90.0	13.5	20.0	20.3	27.4	16.8	23.9	0.15 - 1.60	EL38
G32	M32	16	50.6	105.0	19.5	26.3	26.7	34.0	23.2	30.5	0.15 - 2.00	EL46
G40	M40	16	60.5	113.0	23.0	32.2	33.0	40.6	28.6	36.2	0.20 - 2.00	EL55
G50S	M50	16	71.5	125.0	28.1	38.2	39.4	46.7	34.8	42.4	0.30 - 2.50	EL65
G50	M50	16	71.5	125.0	33.1	44.1	45.7	53.2	41.1	48.5	0.30 - 2.50	EL65
G63S	M63	19	88.0	125.0	39.2	50.1	52.1	59.5	47.5	54.8	0.30 - 2.50	EL80
G63	M63	19	88.0	125.0	46.7	56.0	58.4	65.8	53.8	61.2	0.30 - 2.50	EL80
G75S	M75	19	99.0	131.0	52.1	62.0	64.8	72.2	60.2	68.0	0.30 - 2.50	EL90
G75	M75	19	99.0	131.0	58.0	68.0	71.1	78.0	66.5	73.4	0.30 - 2.50	EL90

All dimensions in mm

By the selection of the inner [C] resp. outer [D] clamping range, a range should be used where the diameter of the cable outer and inner sheath are as near as possible to the average of the Min/Max Values. In doing so, the reduced cable outer sheath with the gland size G20S and the entry thread of M20 has to be selected.

Consequently is

[f]=1

[ggg]=G20S

[a]=M20

The generated information has to be filled into the order key below:

Order key	[Type]	[a]	[b]	[c]	[d]	[e]	[f]	[ggg]
Article description	KDSU	M20	B	S	0	NI	1	G20S

Resulting from the complete article description the relating order number (brown marked) can be determined.

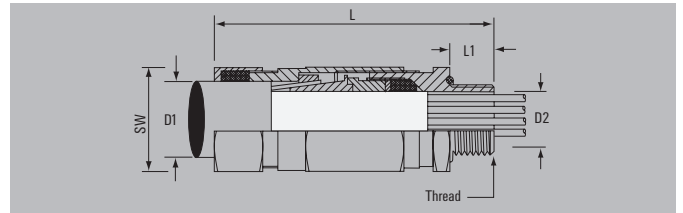
Extract from table KDSU "Nickel-plated brass gland with silicone sealing" on page C.33

Order No.	Description	[Type]	[a]	[b]	[c]	[d]	[e]	[f]	[ggg]	Qty.
0930001221	KDSU M20 BS 0 NI 1 G16	KDSU	M20	B	S	0	NI	1	G16	20
0930001222	KDSU M20 BS 0 NI 2 G16	KDSU	M20	B	S	0	NI	2	G16	20
0930011223	KDSU M20 BS 0 NI 1 G20S	KDSU	M20	B	S	0	NI	1	G20S	20
0930011224	KDSU M20 BS 0 NI 2 G20S	KDSU	M20	B	S	0	NI	2	G20S	20
0930021221	KDSU M20 BS 0 NI 1 G20	KDSU	M20	B	S	0	NI	1	G20	20
...

Klippon® cable glands - Brass - Ex e, Ex d, IP 68 for armoured and non-armoured cables



All-purpose cable gland for cables and lines with single-wire armouring, metal-foil armouring and braided armouring. Non-armoured cables and lines can also be connected.



Technical data

Material	Brass
O-Ring / Seal insert	NBR / CR
Temperature range	-20 °C...85 °C
Degree of protection	IP 68 - 2.5 bar
Water depth	25 m (30 Min.)
Type of armouring	Single-wire armouring, Metal foil armouring, Braided armouring
Approval	ATEX II 2 GD, Ex d IIC / Ex e II / Ex tD A21 IP68, IECEx Ex d IIC / Ex e II

Note

Ordering data

Typ	Thread	D1 outer cable Ø	D2 inner cable Ø	Cable armour	L/L1	SW	MODR	SUHB	Qty.	Order No.
metric, brass										
KDSU M20 BN 0 SC 1 G16	M 20 / 1.5	6.70-10.30	3.40-8.40	0.15-1.25	78 / 16	24	32.5	L24	20	1076120000
KDSU M20 BN 0 SC 2 G16	M 20 / 1.5	9.00-13.50	3.40-8.40	0.15-1.25	78 / 16	24	32.5	L24	20	1909260000
KDSU M20 BN 0 SC 1 G20S	M 20 / 1.5	9.40-12.50	7.20-11.70	0.15-1.25	78 / 16	24	32.5	L24	20	1076130000
KDSU M20 BN 0 SC 2 G20S	M 20 / 1.5	11.50-16.00	7.20-11.70	0.15-1.25	78 / 16	24	32.5	L24	20	1909290000
KDSU M20 BN 0 SC 1 G20	M 20 / 1.5	12.00-17.60	9.40-14.00	0.15-1.25	78 / 16	30	32.5	EL30	20	1076140000
KDSU M20 BN 0 SC 2 G20	M 20 / 1.5	15.50-21.10	9.40-14.00	0.15-1.25	78 / 16	30	32.5	EL30	20	1909300000
KDSU M25 BN 0 SC 1 G25	M 25 / 1.5	16.80-23.90	13.50-20.00	0.15-1.6	90 / 16	38	50	EL38	20	1076150000
KDSU M25 BN 0 SC 2 G25	M 25 / 1.5	20.30-27.40	13.50-20.00	0.15-1.6	90 / 16	38	50	EL38	20	1909310000
KDSU M32 BN 0 SC 1 G32	M 32 / 1.5	23.20-30.50	19.50-26.30	0.15-2	105 / 16	46	80	EL46	10	1076160000
KDSU M32 BN 0 SC 2 G32	M 32 / 1.5	26.70-34.00	19.50-26.30	0.15-2	105 / 16	46	80	EL46	10	1909320000
KDSU M40 BN 0 SC 1 G40	M 40 / 1.5	28.60-36.20	23.00-32.20	0.2-2	113 / 16	55	80	EL55	10	1076170000
KDSU M40 BN 0 SC 2 G40	M 40 / 1.5	33.00-40.60	23.00-32.20	0.2-2	113 / 16	55	80	EL55	10	1909330000
KDSU M50 BN 0 SC 1 G50S	M 50 / 1.5	34.80-42.40	28.10-38.20	0.3-2.5	125 / 16	65	100	EL65	1	1076180000
KDSU M50 BN 0 SC 2 G50S	M 50 / 1.5	39.40-46.70	28.10-38.20	0.3-2.5	125 / 16	65	100	EL65	1	1909340000
KDSU M50 BN 0 SC 1 G50	M 50 / 1.5	41.10-48.50	33.10-44.10	0.3-2.5	125 / 16	65	100	EL65	1	1076190000
KDSU M50 BN 0 SC 2 G50	M 50 / 1.5	45.70-53.20	33.10-44.10	0.3-2.5	125 / 16	65	100	EL65	1	1909350000
KDSU M63 BN 0 SC 1 G63S	M 63 / 1.5	47.50-54.80	39.20-50.10	0.3-2.5	125 / 19	80	160	EL80	1	1076200000
KDSU M63 BN 0 SC 2 G63S	M 63 / 1.5	52.10-59.50	39.20-50.10	0.3-2.5	125 / 19	80	160	EL80	1	1909360000
KDSU M63 BN 0 SC 1 G63	M 63 / 1.5	53.80-61.20	46.70-56.00	0.3-2.5	125 / 19	80	160	EL80	1	1076210000
KDSU M63 BN 0 SC 2 G63	M 63 / 1.5	58.40-65.80	46.70-56.00	0.3-2.5	125 / 19	80	160	EL80	1	1909370000
KDSU M75 BN 0 SC 1 G75S	M 75 / 1.5	60.20-68.00	52.10-62.00	0.3-2.5	131 / 19	90	200	EL90	1	1076220000
KDSU M75 BN 0 SC 2 G75S	M 75 / 1.5	64.80-72.20	52.10-62.00	0.3-2.5	131 / 19	90	200	EL90	1	1076230000
KDSU M75 BN 0 SC 1 G75	M 75 / 1.5	66.50-73.40	58.00-68.00	0.3-2.5	131 / 19	90	200	EL90	1	1076240000
KDSU M75 BN 0 SC 2 G75	M 75 / 1.5	71.10-78.00	58.00-68.00	0.3-2.5	131 / 19	90	200	EL90	1	1076260000

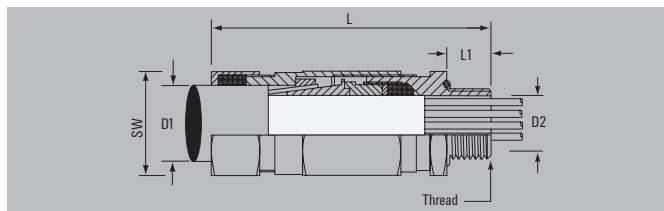
Note

- All cable glands have a thread pitch of 1.5 mm.
- In the case of Ex d applications, the inner threads used for cable glands must meet the requirements of section 5.3 of EN/IEC 60079-1. In the screwed in position, at least 5 threads must be engaged.
- If the cable glands are installed in non-metallic Ex e connection equipment, these must be connected to the protective earth of the system.
- The connection cable must be laid securely and inflexibly to rule out tensile stress.

Klippon® cable glands - Brass - Ex e, Ex d, IP 68 for armoured and non-armoured cables



All-purpose cable gland for cables and lines with single-wire armouring, metal-foil armouring and braided armouring. Non-armoured cables and lines can also be connected.



Technical data

Material	Brass, nickel-plated
O-Ring / Seal insert	NBR / CR
Temperature range	-20 °C...85 °C
Degree of protection	IP 68 - 2.5 bar
Water depth	25 m (30 Min.)
Type of armouring	Single-wire armouring, Metal foil armouring, Braided armouring
Approval	ATEX II 2 GD, Ex d IIC / Ex e II / Ex tD A21 IP68, IECEx Ex d IIC / Ex e II

Note

Ordering data

Typ	Thread	D1 outer cable Ø	D2 inner cable Ø	Cable armour	L/L1	SW	MODR	SUHB	Qty.	Order No.
metric, nickel-plated brass										
KDSU M20 BN 0 NI 1 G16	M 20 / 1.5	6.70-10.30	3.40-8.40	0.15-1.25	78 / 16	24	32.5	L24	20	1083280000
KDSU M20 BN 0 NI 2 G16	M 20 / 1.5	9.00-13.50	3.40-8.40	0.15-1.25	78 / 16	24	32.5	L24	20	1911380000
KDSU M20 BN 0 NI 1 G20S	M 20 / 1.5	9.40-12.50	7.20-11.70	0.15-1.25	78 / 16	24	32.5	L24	20	1083290000
KDSU M20 BN 0 NI 2 G20S	M 20 / 1.5	11.50-16.00	7.20-11.70	0.15-1.25	78 / 16	24	32.5	L24	20	1911390000
KDSU M20 BN 0 NI 1 G20	M 20 / 1.5	12.00-17.60	9.40-14.00	0.15-1.25	78 / 16	30	32.5	EL30	20	1083320000
KDSU M20 BN 0 NI 2 G20	M 20 / 1.5	15.50-21.10	9.40-14.00	0.15-1.25	78 / 16	30	32.5	EL30	20	1911400000
KDSU M25 BN 0 NI 1 G25	M 25 / 1.5	16.80-23.90	13.50-20.00	0.15-1.6	90 / 16	38	50	EL38	20	1083330000
KDSU M25 BN 0 NI 2 G25	M 25 / 1.5	20.30-27.40	13.50-20.00	0.15-1.6	90 / 16	38	50	EL38	20	1911420000
KDSU M32 BN 0 NI 1 G32	M 32 / 1.5	23.20-30.50	19.50-26.30	0.15-2	105 / 16	46	80	EL46	10	1083340000
KDSU M32 BN 0 NI 2 G32	M 32 / 1.5	26.70-34.00	19.50-26.30	0.15-2	105 / 16	46	80	EL46	10	1911430000
KDSU M40 BN 0 NI 1 G40	M 40 / 1.5	28.60-36.20	23.00-32.20	0.2-2	113 / 16	55	80	EL55	10	1083350000
KDSU M40 BN 0 NI 2 G40	M 40 / 1.5	33.00-40.60	23.00-32.20	0.2-2	113 / 16	55	80	EL55	10	1911440000
KDSU M50 BN 0 NI 1 G50	M 50 / 1.5	41.10-48.50	33.10-44.10	0.3-2.5	125 / 16	65	100	EL65	1	1083370000
KDSU M50 BN 0 NI 2 G50	M 50 / 1.5	45.70-53.20	33.10-44.10	0.3-2.5	125 / 16	65	100	EL65	1	1911460000
KDSU M50 BN 0 NI 1 G50S	M 50 / 1.5	34.80-42.40	28.10-38.20	0.3-2.5	125 / 16	65	100	EL65	1	1083360000
KDSU M50 BN 0 NI 2 G50S	M 50 / 1.5	39.40-46.70	28.10-38.20	0.3-2.5	125 / 16	65	100	EL65	1	1911450000
KDSU M63 BN 0 NI 1 G63S	M 63 / 1.5	47.50-54.80	39.20-50.10	0.3-2.5	125 / 19	80	160	EL80	1	1083380000
KDSU M63 BN 0 NI 2 G63S	M 63 / 1.5	52.10-59.50	39.20-50.10	0.3-2.5	125 / 19	80	160	EL80	1	1911480000
KDSU M63 BN 0 NI 1 G63	M 50 / 1.5	53.80-61.20	46.70-56.00	0.3-2.5	125 / 16	80	160	EL80	1	1083390000
KDSU M63 BN 0 NI 2 G63	M 63 / 1.5	58.40-65.80	46.70-56.00	0.3-2.5	125 / 19	80	160	EL80	1	1911490000
KDSU M75 BN 0 NI 1 G75S	M 75 / 1.5	60.20-68.00	52.10-62.00	0.3-2.5	131 / 19	90	200	EL90	1	1083400000
KDSU M75 BN 0 NI 2 G75S	M 75 / 1.5	64.80-72.20	52.10-62.00	0.3-2.5	131 / 19	90	200	EL90	1	1083410000
KDSU M75 BN 0 NI 1 G75	M 75 / 1.5	66.50-73.40	58.00-68.00	0.3-2.5	131 / 19	90	200	EL90	1	1083420000
KDSU M75 BN 0 NI 2 G75	M 75 / 1.5	71.10-78.00	58.00-68.00	0.3-2.5	131 / 19	90	200	EL90	1	1083430000

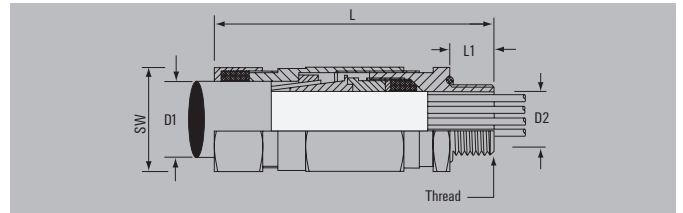
Note

- All cable glands have a thread pitch of 1.5 mm.
- In the case of Ex d applications, the inner threads used for cable glands must meet the requirements of section 5.3 of EN/IEC 60079-1. In the screwed in position, at least 5 threads must be engaged.
- If the cable glands are installed in non-metallic Ex e connection equipment, these must be connected to the protective earth of the system.
- The connection cable must be laid securely and inflexibly to rule out tensile stress.

Klippon® cable glands - Brass - Ex e, Ex d, IP 68 for armoured and non-armoured cables



All-purpose cable gland for cables and lines with single-wire armouring, metal-foil armouring and braided armouring. Non-armoured cables and lines can also be connected.



Technical data

Material	Brass
O-Ring / Seal insert	Silicone / Silicone
Temperature range	-60 °C...180 °C
Degree of protection	IP 68 - 2.5 bar
Water depth	25 m (30 Min.)
Type of armouring	Single-wire armouring, Metal foil armouring, Braided armouring
Approval	ATEX II 2 GD, Ex d IIC / Ex e II / Ex tD A21 IP68, IECEx Ex d IIC / Ex e II

Note

Ordering data

Typ	Thread	D1 outer cable Ø	D2 inner cable Ø	Cable armour	L/L1	SW	MODR	SUHB	Qty.	Order No.
metric, brass										
KDSU M20 BS 0 SC 1 G16	M 20 / 1.5	6.70-10.30	3.40-8.40	0.15-1.25	78 / 16	24	32.5	L24	20	0930001211
KDSU M20 BS 0 SC 2 G16	M 20 / 1.5	9.00-13.50	3.40-8.40	0.15-1.25	78 / 16	24	32.5	L24	20	0930001212
KDSU M20 BS 0 SC 1 G20S	M 20 / 1.5	9.40-12.50	7.20-11.70	0.15-1.25	78 / 16	24	32.5	L24	20	0930011213
KDSU M20 BS 0 SC 2 G20S	M 20 / 1.5	11.50-16.00	7.20-11.70	0.15-1.25	78 / 16	24	32.5	L24	20	0930011214
KDSU M20 BS 0 SC 1 G20	M 20 / 1.5	12.00-17.60	9.40-14.00	0.15-1.25	78 / 16	30	32.5	EL30	20	0930021211
KDSU M20 BS 0 SC 2 G20	M 20 / 1.5	15.50-21.10	9.40-14.00	0.15-1.25	78 / 16	30	32.5	EL30	20	0930021212
KDSU M25 BS 0 SC 1 G25	M 25 / 1.5	16.80-23.90	13.50-20.00	0.15-1.6	90 / 16	38	50	EL38	20	0930031211
KDSU M25 BS 0 SC 2 G25	M 25 / 1.5	20.30-27.40	13.50-20.00	0.15-1.6	90 / 16	38	50	EL38	20	0930031212
KDSU M32 BS 0 SC 1 G32	M 32 / 1.5	23.20-30.50	19.50-26.30	0.15-2	105 / 16	46	80	EL46	10	0930041211
KDSU M32 BS 0 SC 2 G32	M 32 / 1.5	26.70-34.00	19.50-26.30	0.15-2	105 / 16	46	80	EL46	10	0930041212
KDSU M40 BS 0 SC 1 G40	M 40 / 1.5	28.60-36.20	23.00-32.20	0.2-2	113 / 16	55	80	EL55	10	1136870000
KDSU M40 BS 0 SC 2 G40	M 40 / 1.5	33.00-40.60	23.00-32.20	0.2-2	113 / 16	55	80	EL55	10	0930051212
KDSU M50 BS 0 SC 1 G50S	M 50 / 1.5	34.80-42.20	28.10-38.20	0.3-2.5	125 / 16	65	100	EL65	1	0930061213
KDSU M50 BS 0 SC 2 G50S	M 50 / 1.5	39.40-46.70	28.10-38.20	0.3-2.5	125 / 16	65	100	EL65	1	1136880000
KDSU M50 BS 0 SC 1 G50	M 50 / 1.5	41.10-48.50	33.10-44.10	0.3-2.5	125 / 16	65	100	EL65	1	1136890000
KDSU M50 BS 0 SC 2 G50	M 50 / 1.5	45.70-53.20	33.10-44.10	0.3-2.5	125 / 16	65	100	EL65	1	1136910000
KDSU M63 BS 0 SC 1 G63S	M 63 / 1.5	47.50-54.80	39.20-50.10	0.3-2.5	125 / 19	80	160	EL80	1	1136920000
KDSU M63 BS 0 SC 2 G63S	M 63 / 1.5	52.10-59.50	39.20-50.10	0.3-2.5	125 / 19	80	160	EL80	1	1136930000
KDSU M63 BS 0 SC 1 G63	M 63 / 1.5	53.80-61.20	46.70-56.00	0.3-2.5	125 / 19	80	160	EL80	1	1136940000
KDSU M63 BS 0 SC 2 G63	M 63 / 1.5	58.40-65.80	46.70-56.00	0.3-2.5	125 / 19	80	160	EL80	1	1136950000
KDSU M75 BS 0 SC 1 G75	M 75 / 1.5	66.50-73.40	58.00-68.00	0.3-2.5	131 / 19	90	200	EL90	1	1136980000
KDSU M75 BS 0 SC 2 G75	M 75 / 1.5	71.10-78.00	58.00-68.00	0.3-2.5	131 / 19	90	200	EL90	1	0930111212
KDSU M75 BS 0 SC 1 G75S	M 75 / 1.5	60.20-68.00	52.10-62.00	0.3-2.5	131 / 19	90	200	EL90	1	1136960000
KDSU M75 BS 0 SC 2 G75S	M 75 / 1.5	64.80-72.20	52.10-62.00	0.3-2.5	131 / 19	90	200	EL90	1	1136970000

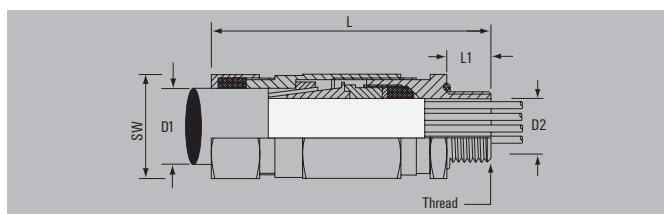
Note

- All cable glands have a thread pitch of 1.5 mm.
- In the case of Ex d applications, the inner threads used for cable glands must meet the requirements of section 5.3 of EN/IEC 60079-1. In the screwed in position, at least 5 threads must be engaged.
- If the cable glands are installed in non-metallic Ex e connection equipment, these must be connected to the protective earth of the system.
- The connection cable must be laid securely and inflexibly to rule out tensile stress.

Klippon® cable glands - Brass - Ex e, Ex d, IP 68 for armoured and non-armoured cables



All-purpose cable gland for cables and lines with single-wire armouring, metal-foil armouring and braided armouring. Non-armoured cables and lines can also be connected.



Technical data

Material	Brass, nickel-plated
O-Ring / Seal insert	Silicone / Silicone
Temperature range	-60 °C...180 °C
Degree of protection	IP 68 - 2.5 bar
Water depth	25 m (30 Min.)
Type of armouring	Single-wire armouring, Metal foil armouring, Braided armouring
Approval	ATEX II 2 GD, Ex d IIC / Ex e II / Ex tD A21 IP68, IECEx Ex d IIC / Ex e II

Note

Ordering data

Typ	Thread	D1 outer cable Ø	D2 inner cable Ø	Cable armour	L/L1	SW	MODR	SUHB	Qty.	Order No.
metric, nickel-plated brass										
KDSU M20 BS 0 NI 1 G16	M 20 / 1.5	6.70-10.30	3.40-8.40	0.15-1.25	78 / 16	24	32.5	L24	20	0930001221
KDSU M20 BS 0 NI 2 G16	M 20 / 1.5	9.00-13.50	3.40-8.40	0.15-1.25	78 / 16	24	32.5	L24	20	0930001222
KDSU M20 BS 0 NI 1 G20	M 20 / 1.5	12.00-17.60	9.40-14.00	0.15-1.25	78 / 16	30	32.5	EL30	20	0930021221
KDSU M20 BS 0 NI 2 G20	M 20 / 1.5	15.50-21.10	9.40-14.00	0.15-1.25	78 / 16	30	32.5	EL30	20	0930021222
KDSU M20 BS 0 NI 1 G20S	M 20 / 1.5	9.40-12.50	7.20-11.70	0.15-1.25	78 / 16	24	32.5	L24	20	0930011223
KDSU M20 BS 0 NI 2 G20S	M 20 / 1.5	11.50-16.00	7.20-11.70	0.15-1.25	78 / 16	24	32.5	L24	20	0930011224
KDSU M25 BS 0 NI 1 G25	M 25 / 1.5	16.80-23.90	13.50-20.00	0.15-1.6	90 / 16	38	50	EL38	20	0930031221
KDSU M25 BS 0 NI 2 G25	M 25 / 1.5	20.30-27.40	13.50-20.00	0.15-1.6	90 / 16	38	50	EL38	20	0930031222
KDSU M32 BS 0 NI 1 G32	M 32 / 1.5	23.20-30.50	19.50-26.30	0.15-2	105 / 16	46	80	EL46	10	0930041221
KDSU M32 BS 0 NI 2 G32	M 32 / 1.5	26.70-34.00	19.50-26.30	0.15-2	105 / 16	46	80	EL46	10	0930041222
KDSU M40 BS 0 NI 1 G40	M 40 / 1.5	28.60-36.20	23.00-32.20	0.2-2	113 / 16	55	80	EL55	10	1136990000
KDSU M40 BS 0 NI 2 G40	M 40 / 1.5	33.00-40.60	23.00-32.20	0.2-2	113 / 16	55	80	EL55	10	0930051222
KDSU M50 BS 0 NI 1 G50	M 50 / 1.5	41.10-48.50	33.10-44.10	0.3-2.5	125 / 16	65	100	EL65	1	1137010000
KDSU M50 BS 0 NI 2 G50	M 50 / 1.5	45.70-53.20	33.10-44.10	0.3-2.5	125 / 16	65	100	EL65	1	1137020000
KDSU M50 BS 0 NI 1 G50S	M 50 / 1.5	34.80-42.40	28.10-38.20	0.3-2.5	125 / 16	65	100	EL65	1	1137000000
KDSU M50 BS 0 NI 2 G50S	M 50 / 1.5	39.40-46.70	28.10-38.20	0.3-2.5	125 / 16	65	100	EL65	1	0930061224
KDSU M63 BS 0 NI 1 G63	M 63 / 1.5	53.80-61.20	46.70-56.00	0.3-2.5	125 / 19	80	160	EL80	1	1137050000
KDSU M63 BS 0 NI 2 G63	M 63 / 1.5	58.40-65.80	46.70-56.00	0.3-2.5	125 / 19	80	160	EL80	1	0930091222
KDSU M63 BS 0 NI 1 G63S	M 63 / 1.5	47.50-54.80	39.20-50.10	0.3-2.5	125 / 19	80	160	EL80	1	1137030000
KDSU M63 BS 0 NI 2 G63S	M 63 / 1.5	52.10-59.50	39.20-50.10	0.3-2.5	125 / 19	80	160	EL80	1	1137040000
KDSU M75 BS 0 NI 1 G75	M 75 / 1.5	66.50-73.40	58.00-68.00	0.3-2.5	131 / 19	90	200	EL90	1	1137080000
KDSU M75 BS 0 NI 2 G75	M 75 / 1.5	71.10-78.00	58.00-68.00	0.3-2.5	131 / 19	90	200	EL90	1	1137090000
KDSU M75 BS 0 NI 1 G75S	M 75 / 1.5	60.20-68.00	52.10-62.00	0.3-2.5	131 / 19	90	200	EL90	1	1137060000
KDSU M75 BS 0 NI 2 G75S	M 75 / 1.5	64.80-72.20	52.10-62.00	0.3-2.5	131 / 19	90	200	EL90	1	1137070000

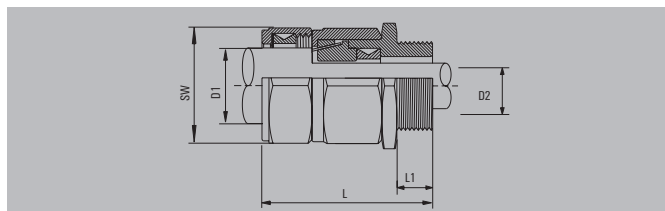
Note

- All cable glands have a thread pitch of 1.5 mm.
- In the case of Ex d applications, the inner threads used for cable glands must meet the requirements of section 5.3 of EN/IEC 60079-1. In the screwed in position, at least 5 threads must be engaged.
- If the cable glands are installed in non-metallic Ex e connection equipment, these must be connected to the protective earth of the system.
- The connection cable must be laid securely and inflexibly to rule out tensile stress.

Klippon® cable glands - Brass - Ex e, Ex d, IP 66 / IP 68 for armoured cables



Cable gland for cables and lines with single-wire armouring.



Technical data

Material	Brass
Seal insert	CR
Temperature range	-20 °C...85 °C
Protection degree	IP 54
Protection degree with GWDR	IP 66, IP 68 - 2.5 bar
Water depth	25 m (30 Min.)
Type of armouring	Single-wire armouring
Approval	ATEX II 2 GD, Ex d IIC / Ex e II / Ex tD A21 IP68, IECEx Ex d IIC / Ex e II

Note IP protection without GWDR is IP 54. To achieve IP 66/68 protection, a nylon GWDR must be ordered separately.

Ordering data

Typ	Thread	D1 outer cable Ø	D2 inner cable Ø	Cable armour	L/L1	SW	MODR	SUHB	Qty.	Order No.
metric, brass										
KDSW M20 BN O SC 1 G16	M 20 / 1.5	4.90-10.00	4.00-8.40	0.9	58 / 16	24	32.5	L24	20	1074480000
KDSW M20BN O SC 2 G16	M 20 / 1.5	8.40-13.50	4.00-8.40	0.9	58 / 16	24	32.5	L24	20	1074490000
KDSW M20 BN O SC 1 G20S	M 20 / 1.5	9.40-12.50	8.00-11.70	0.9-1.25	58 / 16	30	32.5	L24	20	1074500000
KDSW M20 BN O SC 2 G20S	M 20 / 1.5	11.50-16.00	8.00-11.70	0.9-1.25	58 / 16	30	32.5	L24	20	1074510000
KDSW M20 BN O SC 1 G20	M 20 / 1.5	12.00-17.60	6.70-14.00	0.9-1.25	58 / 16	24	32.5	L30	20	1074520000
KDSW M20 BN O SC 2 G20	M 20 / 1.5	15.50-21.10	6.70-14.00	0.9-1.25	58 / 16	24	32.5	L30	20	1074530000
KDSW M25 BN O SC 1 G25	M 25 / 1.5	16.80-23.90	13.00-20.00	1.25-1.6	58 / 16	38	47.5	L38	20	1074540000
KDSW M25 BN O SC 2 G25	M 25 / 1.5	20.30-27.40	13.00-20.00	1.25-1.6	58 / 16	38	47.5	L38	20	1074550000
KDSW M32 BN O SC 1 G32	M 32 / 1.5	23.20-30.50	19.00-26.30	1.6-2	65 / 16	46	55	L46	10	1074570000
KDSW M32 BN O SC 2 G32	M 32 / 1.5	26.70-34.00	19.00-26.30	1.6-2	65 / 16	46	55	L46	10	1074580000
KDSW M40 BN O SC 1 G40	M 40 / 1.5	28.60-36.20	25.00-32.20	1.6-2	72 / 16	55	65	L55	10	1074590000
KDSW M40 BN O SC 2 G40	M 40 / 1.5	33.00-40.60	25.00-32.20	1.6-2	72 / 16	55	65	L55	10	1074610000
KDSW M50 BN O SC 1 G50S	M 50 / 1.5	34.80-42.40	31.50-38.20	2-2.5	73 / 16	65	80	L65	1	1074620000
KDSW M50 BN O SC 2 G50S	M 50 / 1.5	39.40-46.70	31.50-38.20	2-2.5	73 / 16	65	80	L65	1	1074630000
KDSW M50 BN O SC 1 G50	M 50 / 1.5	41.10-48.50	36.50-44.10	2-2.5	73 / 16	65	80	L65	1	1074640000
KDSW M50 BN O SC 2 G50	M 50 / 1.5	45.70-53.20	36.50-44.10	2-2.5	73 / 16	65	80	L65	1	1074650000
KDSW M63 BN O SC 1 G63S	M 63 / 1.5	47.50-54.80	42.50-50.10	2.5	76 / 19	80	95	L80	1	1074670000
KDSW M63 BN O SC 2 G63S	M 63 / 1.5	52.10-59.50	42.50-50.10	2.5	76 / 19	80	95	L80	1	1074710000
KDSW M63 BN O SC 1 G63	M 63 / 1.5	53.80-61.20	49.50-56.00	2.5	76 / 19	80	95	L80	1	1074730000
KDSW M63 BN O SC 2 G63	M 63 / 1.5	58.40-65.80	49.50-56.00	2.5	76 / 19	80	95	L80	1	1074750000
KDSW M75 BN O SC 1 G75S	M 75 / 1.5	60.20-68.00	54.50-62.00	2.5	82 / 19	90	110	L90	1	1074770000
KDSW M75 BN O SC 2 G75S	M 75 / 1.5	64.80-72.20	54.50-62.00	2.5	82 / 19	90	110	L90	1	1074790000
KDSW M75 BN O SC 1 G75	M 75 / 1.5	66.50-73.40	60.50-68.00	2.5	82 / 19	90	110	L90	1	1074820000
KDSW M75 BN O SC 2 G75	M 75 / 1.5	71.10-78.00	60.50-68.00	2.5	82 / 19	90	110	L90	1	1074840000

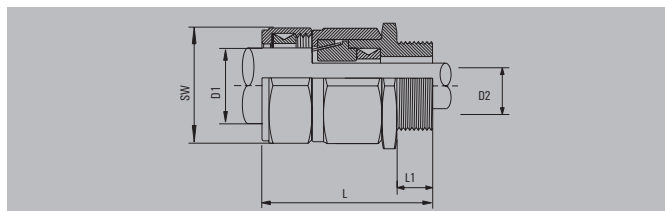
Note

- All cable glands have a thread pitch of 1.5 mm.
- In the case of Ex d applications, the inner threads used for cable glands must meet the requirements of section 5.3 of EN/IEC 60079-1. In the screwed in position, at least 5 threads must be engaged.
- If the cable glands are installed in non-metallic Ex e connection equipment, these must be connected to the protective earth of the system.
- The connection cable must be laid securely and inflexibly to rule out tensile stress.

Klippon® cable glands - Brass - Ex e, Ex d, IP 66 / IP 68 for armoured cables



Cable gland for cables and lines with single-wire armouring.



Technical data

Material	Brass, nickel-plated
Seal insert	CR
Temperature range	-20 °C...85 °C
Protection degree	IP 54
Protection degree with GWDR	IP 66, IP 68 - 2.5 bar
Water depth	25 m (30 Min.)
Type of armouring	Single-wire armouring
Approval	ATEX II 2 GD, Ex d IIC / Ex e II / Ex tD A21 IP68, IECEx Ex d IIC / Ex e II

Note IP protection without GWDR is IP 54. To achieve IP 66/68 protection, a nylon GWDR must be ordered separately.

Ordering data

Typ	Thread	D1 outer cable Ø	D2 inner cable Ø	Cable armour	L/L1	SW	MODR	SUHB	Qty.	Order No.
metric, nickel-plated brass										
KDSW M20 BN O NI 1 G16	M 20 / 1.5	4.90-10.00	4.00-8.40	0.9	58 / 16	24	32.5	L24	20	1075030000
KDSW M20 BN O NI 2 G16	M 20 / 1.5	8.40-13.50	4.00-8.40	0.9	58 / 16	24	32.5	L24	20	1075040000
KDSW M20 BN O NI 1 G20	M 20 / 1.5	12.00-17.60	6.70-14.00	0.9-1.25	58 / 16	30	32.5	L30	20	1075070000
KDSW M20 BN O NI 2 G20	M 20 / 1.5	15.50-21.10	6.70-14.00	0.9-1.25	58 / 16	24	32.5	L30	20	1075080000
KDSW M20 BN O NI 1 G20S	M 20 / 1.5	9.40-12.50	8.00-11.70	0.9-1.25	58 / 16	30	32.5	L24	20	1075050000
KDSW M20 BN O NI 2 G20S	M 20 / 1.5	11.50-16.00	8.00-11.70	0.9-1.25	58 / 16	24	32.5	L24	20	1075060000
KDSW M25 BN O NI 1 G25	M 25 / 1.5	16.80-23.90	13.00-20.00	1.25-1.6	58 / 16	38	47.5	L38	20	1075090000
KDSW M25 BN O NI 2 G25	M 25 / 1.5	20.30-27.40	13.00-20.00	1.25-1.6	58 / 16	38	47.5	L38	20	1075110000
KDSW M32 BN O NI 1 G32	M 32 / 1.5	23.20-30.50	19.00-26.30	1.6-2	65 / 16	46	55	L46	10	1075120000
KDSW M32 BN O NI 2 G32	M 32 / 1.5	26.70-34.00	19.00-26.30	1.6-2	65 / 16	46	55	L46	10	1075130000
KDSW M40 BN O NI 1 G40	M 40 / 1.5	28.60-36.20	25.00-32.20	1.6-2	72 / 16	55	65	L55	10	1075140000
KDSW M40 BN O NI 2 G40	M 40 / 1.5	33.00-40.60	25.00-32.20	1.6-2	72 / 16	55	65	L55	10	1075150000
KDSW M50 BN O NI 1 G50	M 50 / 1.5	41.10-48.50	36.50-44.10	2.2-2.5	73 / 16	65	80	L65	1	1075180000
KDSW M50 BN O NI 2 G50	M 50 / 1.5	45.70-53.20	36.50-44.10	2.2-2.5	73 / 16	65	80	L65	1	1075190000
KDSW M50 BN O NI 1 G50S	M 50 / 1.5	34.80-42.40	31.50-38.20	2.2-2.5	73 / 16	65	80	L65	1	1075160000
KDSW M50 BN O NI 2 G50S	M 50 / 1.5	39.40-46.70	31.50-38.20	2.2-2.5	73 / 16	65	80	L65	1	1075170000
KDSW M63 BN O NI 1 G63	M 63 / 1.5	53.80-61.20	49.50-56.00	2.5	76 / 19	80	95	L80	1	1075230000
KDSW M63 BN O NI 2 G63	M 63 / 1.5	58.40-65.80	49.50-56.00	2.5	76 / 19	80	95	L80	1	1075240000
KDSW M63 BN O NI 1 G63S	M 63 / 1.5	47.50-54.80	42.50-50.10	2.5	76 / 19	80	95	L80	1	1075210000
KDSW M63 BN O NI 2 G63S	M 63 / 1.5	52.10-59.50	42.50-50.10	2.5	76 / 19	80	95	L80	1	1075220000
KDSW M75 BN O NI 1 G75	M 75 / 1.5	66.50-73.40	60.50-68.00	2.5	82 / 19	90	110	L90	1	1075270000
KDSW M75 BN O NI 2 G75	M 75 / 1.5	71.10-78.00	60.50-68.00	2.5	82 / 19	90	110	L90	1	1075280000
KDSW M75 BN O NI 1 G75S	M 75 / 1.5	60.20-68.00	54.50-62.00	2.5	82 / 19	90	110	L90	1	1075250000
KDSW M75 BN O NI 2 G75S	M 75 / 1.5	64.80-72.20	54.50-62.00	2.5	82 / 19	90	110	L90	1	1075260000

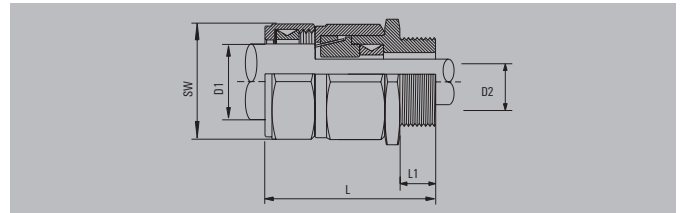
Note

- All cable glands have a thread pitch of 1.5 mm.
- In the case of Ex d applications, the inner threads used for cable glands must meet the requirements of section 5.3 of EN/IEC 60079-1. In the screwed in position, at least 5 threads must be engaged.
- If the cable glands are installed in non-metallic Ex e connection equipment, these must be connected to the protective earth of the system.
- The connection cable must be laid securely and inflexibly to rule out tensile stress.

Klippon® cable glands - Brass - Ex e, Ex d, IP 66 / IP 68 for armoured cables



Cable gland for cables and lines with single-wire armouring.



Technical data

Material	Brass
Seal insert	Silicone
Temperature range	-60 °C...180 °C
Protection degree	IP 54
Protection degree with GWDR	IP 66, IP 68 - 2.5 bar
Water depth	25 m (30 Min.)
Type of armouring	Single-wire armouring
Approval	ATEX II 2 GD, Ex d IIC / Ex e II / Ex tD A21 IP68, IECEx Ex d IIC / Ex e II

Note IP protection without GWDR is IP 54. To achieve IP 66/68 protection, a nylon GWDR must be ordered separately.

Ordering data

Typ	Thread	D1 outer cable Ø	D2 inner cable Ø	Cable armour	L/L1	SW	MODR	SUHB	Qty.	Order No.
metric, brass										
KDSW M20 BS 0 SC 1 G16	M 20 / 1.5	4.90-10.00	4.00-8.40	0.9	58 / 16	24	32.5	L24	20	1136160000
KDSW M20 BS 0 SC 2 G16	M 20 / 1.5	8.40-13.50	4.00-8.40	0.9	58 / 16	24	32.5	L24	20	1136170000
KDSW M20 BS 0 SC 1 G20S	M 20 / 1.5	9.40-12.50	8.00-11.70	0.9-1.25	58 / 16	24	32.5	L24	20	1136180000
KDSW M20 BS 0 SC 2 G20S	M 20 / 1.5	11.50-16.00	8.00-11.70	0.9-1.25	58 / 16	24	32.5	L24	20	1136190000
KDSW M20 BS 0 SC 1 G20	M 20 / 1.5	12.00-17.60	6.70-14.00	0.9-1.25	58 / 16	30	32.5	L30	20	1136200000
KDSW M20 BS 0 SC 2 G20	M 20 / 1.5	15.50-21.10	6.70-14.00	0.9-1.25	58 / 16	30	32.5	L30	20	1136210000
KDSW M25 BS 0 SC 1 G25	M 25 / 1.5	16.80-23.90	13.00-20.00	1.25-1.6	58 / 16	38	47.5	L38	20	1136220000
KDSW M25 BS 0 SC 2 G25	M 25 / 1.5	20.30-27.40	13.00-20.00	1.25-1.6	58 / 16	38	47.5	L38	20	1136230000
KDSW M32 BS 0 SC 1 G32	M 32 / 1.5	23.20-30.50	19.00-26.30	1.6-2	65 / 16	46	55	L46	10	1136240000
KDSW M32 BS 0 SC 2 G32	M 32 / 1.5	26.70-34.00	19.00-26.30	1.6-2	65 / 16	46	55	L46	10	1136250000
KDSW M40 BS 0 SC 1 G40	M 40 / 1.5	28.60-36.20	25.00-32.20	1.6-2	72 / 16	55	65	L55	10	1136260000
KDSW M40 BS 0 SC 2 G40	M 40 / 1.5	33.00-40.60	25.00-32.20	1.6-2	72 / 16	55	65	L55	10	1136270000
KDSW M50 BS 0 SC 1 G50S	M 50 / 1.5	34.80-42.40	31.50-38.20	2-2.5	73 / 16	65	80	L65	1	1136280000
KDSW M50 BS 0 SC 2 G50S	M 50 / 1.5	39.40-46.70	31.50-38.20	2-2.5	73 / 16	65	80	L65	1	1136290000
KDSW M50 BS 0 SC 1 G50	M 50 / 1.5	41.10-48.50	36.50-44.10	2-2.5	73 / 16	65	80	L65	1	1136310000
KDSW M50 BS 0 SC 2 G50	M 50 / 1.5	45.70-53.20	36.50-44.10	2-2.5	73 / 16	65	80	L65	1	1136320000
KDSW M63 BS 0 SC 1 G63S	M 63 / 1.5	47.50-54.80	42.50-50.10	2.5	76 / 19	80	95	L80	1	1136330000
KDSW M63 BS 0 SC 2 G63S	M 63 / 1.5	52.10-59.50	42.50-50.10	2.5	76 / 19	80	95	L80	1	1136340000
KDSW M63 BS 0 SC 1 G63	M 63 / 1.5	53.80-61.20	49.50-56.00	2.5	76 / 19	80	95	L80	1	1136350000
KDSW M63 BS 0 SC 2 G63	M 63 / 1.5	58.40-65.80	49.50-56.00	2.5	76 / 19	80	95	L80	1	1136360000
KDSW M75 BS 0 SC 1 G75S	M 75 / 1.5	60.20-68.00	54.50-62.00	2.5	82 / 19	90	110	L90	1	1136370000
KDSW M75 BS 0 SC 2 G75S	M 75 / 1.5	64.80-72.20	54.50-62.00	2.5	82 / 19	90	110	L90	1	1136380000
KDSW M75 BS 0 SC 1 G75	M 75 / 1.5	66.50-73.40	60.50-68.00	2.5	82 / 19	90	110	L90	1	1136390000
KDSW M75 BS 0 SC 2 G75	M 75 / 1.5	71.10-78.00	60.50-68.00	2.5	82 / 19	90	110	L90	1	1136400000

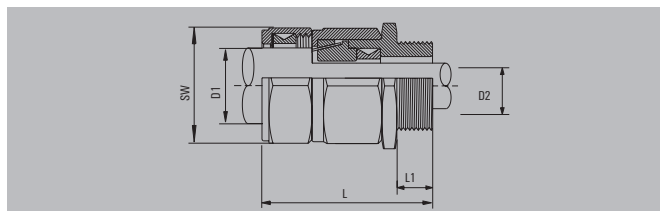
Note

- All cable glands have a thread pitch of 1.5 mm.
- In the case of Ex d applications, the inner threads used for cable glands must meet the requirements of section 5.3 of EN/IEC 60079-1. In the screwed in position, at least 5 threads must be engaged.
- If the cable glands are installed in non-metallic Ex e connection equipment, these must be connected to the protective earth of the system.
- The connection cable must be laid securely and inflexibly to rule out tensile stress.

Klippon® cable glands - Brass - Ex e, Ex d, IP 66 / IP 68 for armoured cables



Cable gland for cables and lines with single-wire armouring.



Technical data

Material	Brass, nickel-plated
Seal insert	Silicone
Temperature range	-60 °C...180 °C
Protection degree	IP 54
Protection degree with GWDR	IP 66, IP 68 - 2.5 bar
Water depth	25 m (30 Min.)
Type of armouring	Single-wire armouring
Approval	ATEX II 2 GD, Ex d IIC / Ex e II / Ex tD A21 IP68, IECEx Ex d IIC / Ex e II

Note IP protection without GWDR is IP 54. To achieve IP 66/68 protection, a nylon GWDR must be ordered separately.

Ordering data

Typ	Thread	D1 outer cable Ø	D2 inner cable Ø	Cable armour	L/L1	SW	MODR	SUHB	Qty.	Order No.
metric, nickel-plated brass										
KDSW M20 BS 0 NI 1 G16	M 20 / 1.5	4.90-10.00	4.00-8.40	0.9	58 / 16	24	32.5	L24	20	1136410000
KDSW M20 BS 0 NI 2 G16	M 20 / 1.5	8.40-13.50	4.00-8.40	0.9	58 / 16	24	32.5	L24	20	1136420000
KDSW M20 BS 0 NI 1 G20	M 20 / 1.5	12.00-17.60	6.70-14.00	0.9-1.25	58 / 16	30	32.5	L30	20	1136450000
KDSW M20 BS 0 NI 2 G20	M 20 / 1.5	15.50-21.10	6.70-14.00	0.9-1.25	58 / 16	24	32.5	L30	20	1136460000
KDSW M20 BS 0 NI 1 G20S	M 20 / 1.5	9.40-12.50	8.00-11.70	0.9-1.25	58 / 16	30	32.5	L24	20	1136430000
KDSW M20 BS 0 NI 2 G20S	M 20 / 1.5	11.50-16.00	8.00-11.70	0.9-1.25	58 / 16	24	32.5	L24	20	1136440000
KDSW M25 BS 0 NI 1 G25	M 25 / 1.5	16.80-23.90	13.00-20.00	1.25-1.6	58 / 16	38	47.5	L38	20	1136470000
KDSW M25 BS 0 NI 2 G25	M 25 / 1.5	20.30-27.40	13.00-20.00	1.25-1.6	58 / 16	38	47.5	L38	20	1136480000
KDSW M32 BS 0 NI 1 G32	M 32 / 1.5	23.20-30.50	19.00-26.30	1.6-2	65 / 16	46	55	L46	10	1136490000
KDSW M32 BS 0 NI 2 G32	M 32 / 1.5	26.70-34.00	19.00-26.30	1.6-2	65 / 16	46	55	L46	10	1136510000
KDSW M40 BS 0 NI 1 G40	M 40 / 1.5	28.60-36.20	25.00-32.20	1.6-2	72 / 16	55	65	L55	10	1136520000
KDSW M40 BS 0 NI 2 G40	M 40 / 1.5	33.00-40.60	25.00-32.20	1.6-2	72 / 16	55	65	L55	10	1136530000
KDSW M50 BS 0 NI 1 G50	M 50 / 1.5	41.10-48.50	36.50-44.10	2.2-2.5	73 / 16	65	80	L65	1	1136560000
KDSW M50 BS 0 NI 2 G50	M 50 / 1.5	45.70-53.20	36.50-44.10	2.2-2.5	73 / 16	65	80	L65	1	1136570000
KDSW M50 BS 0 NI 1 G50S	M 50 / 1.5	34.80-42.40	31.50-38.20	2.2-2.5	73 / 16	65	80	L65	1	1136540000
KDSW M50 BS 0 NI 2 G50S	M 50 / 1.5	39.40-46.70	31.50-38.20	2.2-2.5	73 / 16	65	80	L65	1	1136550000
KDSW M63 BS 0 NI 1 G63	M 63 / 1.5	53.80-61.20	49.50-56.00	2.5	76 / 19	80	95	L80	1	1136600000
KDSW M63 BS 0 NI 2 G63	M 63 / 1.5	58.40-65.80	49.50-56.00	2.5	76 / 19	80	95	L80	1	1136610000
KDSW M63 BS 0 NI 1 G63S	M 63 / 1.5	47.50-54.80	42.50-50.10	2.5	76 / 19	80	95	L80	1	1136580000
KDSW M63 BS 0 NI 2 G63S	M 63 / 1.5	52.10-59.50	42.50-50.10	2.5	76 / 19	80	95	L80	1	1136590000
KDSW M75 BS 0 NI 1 G75	M 75 / 1.5	66.50-73.40	60.50-68.00	2.5	82 / 19	90	110	L90	1	1136640000
KDSW M75 BS 0 NI 2 G75	M 75 / 1.5	71.10-78.00	60.50-68.00	2.5	82 / 19	90	110	L90	1	1136650000
KDSW M75 BS 0 NI 1 G75S	M 75 / 1.5	60.20-68.00	54.50-62.00	2.5	82 / 19	90	110	L90	1	1136620000
KDSW M75 BS 0 NI 2 G75S	M 75 / 1.5	64.80-72.20	54.50-62.00	2.5	82 / 19	90	110	L90	1	1136630000

Note

- All cable glands have a thread pitch of 1.5 mm.
- In the case of Ex d applications, the inner threads used for cable glands must meet the requirements of section 5.3 of EN/IEC 60079-1. In the screwed in position, at least 5 threads must be engaged.
- If the cable glands are installed in non-metallic Ex e connection equipment, these must be connected to the protective earth of the system.
- The connection cable must be laid securely and inflexibly to rule out tensile stress.

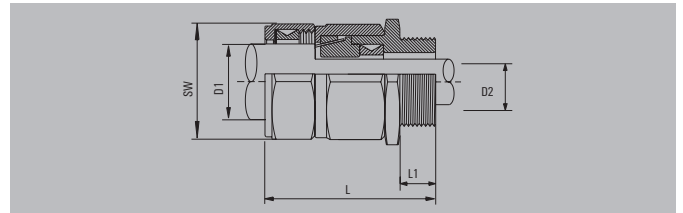
Cable entries

C

Klippon® cable glands - Brass - Ex e, Ex d, IP 66 / IP 68 for armoured cables



Cable gland for cables and lines with single-wire armouring and lead-sheath armouring.



Technical data

Material	Brass
Seal insert	CR
Temperature range	-20 °C...85 °C
Protection degree	IP 54
Protection degree with GWDR	IP 66, IP 68 - 2.5 bar
Water depth	25 m (30 Min.)
Type of armouring	Single-wire armouring, Lead sheath armouring
Approval	ATEX II 2 GD, Ex d IIC / Ex e II / Ex tD A21 IP68, IECEx Ex d IIC / Ex e II

Note IP protection without GWDR is IP 54. To achieve IP 66/68 protection, a nylon GWDR must be ordered separately.

Ordering data

Typ	Thread	D1 outer cable Ø	D2 inner cable Ø	Cable armour	L/L1	SW	MODR	SUHB	Qty.	Order No.
metric, brass										
KDSW M20 BN L SC 1 G16	M 20 / 1.5	4.90-10.00	4.00-8.40	0.9	58 / 16	24	32.5	L24	20	1076250000
KDSW M20 BN L SC 2 G16	M 20 / 1.5	8.40-13.50	4.00-8.40	0.9	58 / 16	24	32.5	L24	20	1076270000
KDSW M20 BN L SC 1 G20S	M 20 / 1.5	9.40-12.50	8.00-11.70	0.9-1.25	58 / 16	24	32.5	L24	20	1076280000
KDSW M20 BN L SC 2 G20S	M 20 / 1.5	11.50-16.00	8.00-11.70	0.9-1.25	58 / 16	24	32.5	L24	20	1076290000
KDSW M20 BN L SC 1 G20	M 20 / 1.5	12.00-17.60	6.70-14.00	0.9-1.25	58 / 16	30	32.5	L30	20	1076300000
KDSW M20 BN L SC 2 G20	M 20 / 1.5	15.50-21.10	6.70-14.00	0.9-1.25	58 / 16	30	32.5	L30	20	1076310000
KDSW M25 BN L SC 1 G25	M 25 / 1.5	16.80-23.90	13.00-20.00	1.25-1.6	58 / 16	38	47.5	L38	20	1076320000
KDSW M25 BN L SC 2 G25	M 25 / 1.5	20.30-27.40	13.00-20.00	1.25-1.6	58 / 16	38	47.5	L38	20	1076330000
KDSW M32 BN L SC 1 G32	M 32 / 1.5	23.20-30.50	19.00-26.30	1.6-2	65 / 16	46	55	L46	10	1076340000
KDSW M32 BN L SC 2 G32	M 32 / 1.5	26.70-34.00	19.00-26.30	1.6-2	65 / 16	46	55	L46	10	1076350000
KDSW M40 BN L SC 1 G40	M 40 / 1.5	28.60-36.20	25.00-32.20	1.6-2	72 / 16	55	65	L55	10	1076360000
KDSW M40 BN L SC 2 G40	M 40 / 1.5	33.00-40.60	25.00-32.20	1.6-2	72 / 16	55	65	L55	10	1076370000
KDSW M50 BN L SC 1 G50S	M 50 / 1.5	34.80-42.40	31.50-38.20	2-2.5	73 / 16	65	80	L65	1	1076380000
KDSW M50 BN L SC 2 G50S	M 50 / 1.5	39.40-46.70	31.50-38.20	2-2.5	73 / 16	65	80	L65	1	1076390000
KDSW M50 BN L SC 1 G50	M 50 / 1.5	41.10-48.50	36.50-44.10	2-2.5	73 / 16	65	80	L65	1	1076400000
KDSW M50 BN L SC 2 G50	M 50 / 1.5	45.70-53.20	36.50-44.10	2-2.5	73 / 16	65	80	L65	1	1076410000
KDSW M63 BN L SC 1 G63S	M 63 / 1.5	47.50-54.80	42.50-50.10	2.5	76 / 19	80	95	L80	1	1076420000
KDSW M63 BN L SC 2 G63S	M 63 / 1.5	52.10-59.50	42.50-50.10	2.5	76 / 19	80	95	L80	1	1076430000
KDSW M63 BN L SC 1 G63	M 63 / 1.5	53.80-61.20	49.50-56.00	2.5	76 / 19	80	95	L80	1	1076440000
KDSW M63 BN L SC 2 G63	M 63 / 1.5	58.40-65.80	49.50-56.00	2.5	76 / 19	80	95	L80	1	1076450000
KDSW M75 BN L SC 1 G75S	M 75 / 1.5	60.20-68.00	54.50-62.00	2.5	82 / 19	90	110	L90	1	1076460000
KDSW M75 BN L SC 2 G75S	M 75 / 1.5	64.80-72.20	54.50-62.00	2.5	82 / 19	90	110	L90	1	1076470000
KDSW M75 BN L SC 1 G75	M 75 / 1.5	66.50-73.40	60.50-68.00	2.5	82 / 19	90	110	L90	1	1076480000
KDSW M75 BN L SC 2 G75	M 75 / 1.5	71.10-78.00	60.50-68.00	2.5	82 / 19	90	110	L90	1	1076490000

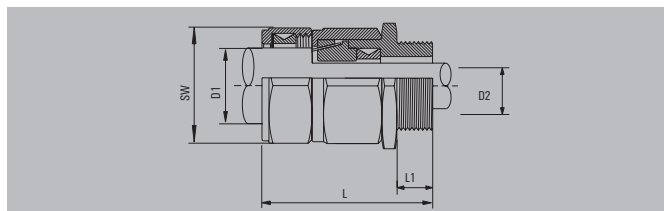
Note

- All cable glands have a thread pitch of 1.5 mm.
- In the case of Ex d applications, the inner threads used for cable glands must meet the requirements of section 5.3 of EN/IEC 60079-1. In the screwed in position, at least 5 threads must be engaged.
- If the cable glands are installed in non-metallic Ex e connection equipment, these must be connected to the protective earth of the system.
- The connection cable must be laid securely and inflexibly to rule out tensile stress.

Klippon® cable glands - Brass - Ex e, Ex d, IP 66 / IP 68 for armoured cables



Cable gland for cables and lines with single-wire armouring and lead-sheath armouring.



Technical data

Material	Brass, nickel-plated
Seal insert	CR
Temperature range	-20 °C...85 °C
Protection degree	IP 54
Protection degree with GWDR	IP 66, IP 68 - 2.5 bar
Water depth	25 m (30 Min.)
Type of armouring	Single-wire armouring, Lead sheath armouring
Approval	ATEX II 2 GD, Ex d IIC / Ex e II / Ex tD A21 IP68, IECEx Ex d IIC / Ex e II

Note IP protection without GWDR is IP 54. To achieve IP 66/68 protection, a nylon GWDR must be ordered separately.

Ordering data

Typ	Thread	D1 outer cable Ø	D2 inner cable Ø	Cable armour	L/L1	SW	MODR	SUHB	Qty.	Order No.
metric, nickel-plated brass										
KDSW M20 BN L NI 1 G16	M 20 / 1.5	4.90-10.00	4.00-8.40	0.9	58 / 16	24	32.5	L24	20	1074660000
KDSW M20 BN L NI 2 G16	M 20 / 1.5	8.40-13.50	4.00-8.40	0.9	58 / 16	24	32.5	L24	20	1074690000
KDSW M20 BN L NI 1 G20	M 20 / 1.5	12.00-17.60	6.70-14.00	0.9-1.25	58 / 16	30	32.5	L30	20	1074760000
KDSW M20 BN L NI 2 G20	M 20 / 1.5	15.50-21.10	6.70-14.00	0.9-1.25	58 / 16	30	32.5	L30	20	1074780000
KDSW M20 BN L NI 1 G20S	M 20 / 1.5	9.40-12.50	8.00-11.70	0.9-1.25	58 / 16	24	32.5	L24	20	1074720000
KDSW M20 BN L NI 2 G20S	M 20 / 1.5	11.50-16.00	8.00-11.70	0.9-1.25	58 / 16	24	32.5	L24	20	1074740000
KDSW M25 BN L NI 1 G25	M 25 / 1.5	16.80-23.90	13.00-20.00	1.25-1.6	58 / 16	38	47.5	L38	20	1074810000
KDSW M25 BN L NI 2 G25	M 25 / 1.5	20.30-27.40	13.00-20.00	1.25-1.6	58 / 16	38	47.5	L38	20	1074830000
KDSW M32 BN L NI 1 G32	M 32 / 1.5	23.20-30.50	19.00-26.30	1.6-2	65 / 16	46	55	L46	10	1074850000
KDSW M32 BN L NI 2 G32	M 32 / 1.5	26.70-34.00	19.00-26.30	1.6-2	65 / 16	46	55	L46	10	1074860000
KDSW M40 BN L NI 1 G40	M 40 / 1.5	28.60-36.20	25.00-32.20	1.6-2	72 / 16	55	65	L55	10	1074870000
KDSW M40 BN L NI 2 G40	M 40 / 1.5	33.00-40.60	25.00-32.20	1.6-2	72 / 16	55	65	L55	10	1074880000
KDSW M50 BN L NI 1 G50	M 50 / 1.5	41.40-48.50	36.50-44.10	2-2.5	73 / 16	65	80	L65	1	1074920000
KDSW M50 BN L NI 2 G50	M 50 / 1.5	45.70-53.20	36.50-44.10	2-2.5	73 / 16	65	80	L65	1	1074930000
KDSW M50 BN L NI 1 G50S	M 50 / 1.5	34.80-42.40	31.50-38.20	2-2.5	73 / 16	65	80	L65	1	1074890000
KDSW M50 BN L NI 2 G50S	M 50 / 1.5	39.40-46.70	31.50-38.20	2-2.5	73 / 16	65	80	L65	1	1074910000
KDSW M63 BN L NI 1 G63	M 63 / 1.5	53.80-61.20	49.50-56.00	2.5	76 / 19	80	95	L80	1	1074960000
KDSW M63 BN L NI 2 G63	M 63 / 1.5	58.40-65.80	49.50-56.00	2.5	76 / 19	80	95	L80	1	1074970000
KDSW M63 BN L NI 1 G63S	M 63 / 1.5	47.50-54.80	42.50-50.10	2.5	76 / 19	80	95	L80	1	1074940000
KDSW M63 BN L NI 2 G63S	M 63 / 1.5	52.10-59.50	42.50-50.10	2.5	76 / 19	80	95	L80	1	1074950000
KDSW M75 BN L NI 1 G75	M 75 / 1.5	66.50-73.40	60.50-68.00	2.5	82 / 19	90	110	L90	1	1075010000
KDSW M75 BN L NI 2 G75	M 75 / 1.5	71.10-78.00	60.50-68.00	2.5	82 / 19	90	110	L90	1	1075020000
KDSW M75 BN L NI 1 G75S	M 75 / 1.5	60.20-68.00	54.50-62.00	2.5	82 / 19	90	110	L90	1	1074980000
KDSW M75 BN L NI 2 G75S	M 75 / 1.5	64.80-72.20	54.50-62.00	2.5	82 / 19	90	110	L90	1	1074990000

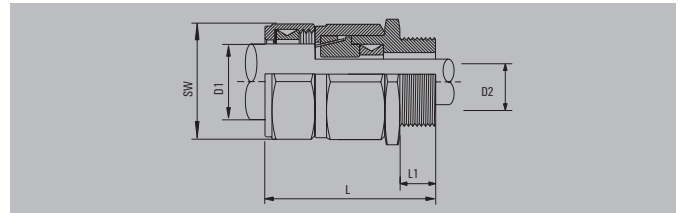
Note

- All cable glands have a thread pitch of 1.5 mm.
- In the case of Ex d applications, the inner threads used for cable glands must meet the requirements of section 5.3 of EN/IEC 60079-1. In the screwed in position, at least 5 threads must be engaged.
- If the cable glands are installed in non-metallic Ex e connection equipment, these must be connected to the protective earth of the system.
- The connection cable must be laid securely and inflexibly to rule out tensile stress.

Klippon® cable glands - Brass - Ex e, Ex d, IP 66 / IP 68 for armoured cables



Cable gland for cables and lines with braided armouring.



Technical data

Material	Brass
Seal insert	Silicone
Temperature range	-60 °C...180 °C
Protection degree	IP 54
Protection degree with GWDR	IP 66, IP 68 - 2.5 bar
Water depth	25 m (30 Min.)
Type of armouring	Braided armouring
Approval	ATEX II 2 GD, Ex d IIC / Ex e II / Ex tD A21 IP68, IECEx Ex d IIC / Ex e II

Note IP protection without GWDR is IP 54. To achieve IP 66/68 protection, a nylon GWDR must be ordered separately.

Ordering data

Typ	Thread	D1 outer cable Ø	D2 inner cable Ø	Cable armour	L/L1	SW	MODR	SUHB	Qty.	Order No.
metric, brass										
KDSX M20 BS 0 SC 1 G16	M 20 / 1.5	4.90-10.00	4.00-8.40	0.15-0.35	58 / 16	24	32.5	L24	20	1135650000
KDSX M20 BS 0 SC 2 G16	M 20 / 1.5	8.40-13.50	4.00-8.40	0.15-0.35	58 / 16	24	32.5	L24	20	1135660000
KDSX M20 BS 0 SC 1 G20S	M 20 / 1.5	9.40-12.50	8.00-11.70	0.15-0.35	58 / 16	24	32.5	L24	20	1135670000
KDSX M20 BS 0 SC 2 G20S	M 20 / 1.5	11.50-16.00	8.00-11.70	0.15-0.35	58 / 16	24	32.5	L24	20	1135680000
KDSX M20 BS 0 SC 1 G20	M 20 / 1.5	12.00-17.60	6.70-14.00	0.15-0.5	58 / 16	30	32.5	L30	20	1135690000
KDSX M20 BS 0 SC 2 G20	M 20 / 1.5	15.50-21.10	6.70-14.00	0.15-0.5	58 / 16	30	32.5	L30	20	1135710000
KDSX M25 BS 0 SC 1 G25	M 25 / 1.5	16.80-23.90	13.00-20.00	0.15-0.5	58 / 16	38	47.5	L38	20	1135720000
KDSX M25 BS 0 SC 2 G25	M 25 / 1.5	20.30-27.40	13.00-20.00	0.15-0.5	58 / 16	38	47.5	L38	20	1135730000
KDSX M32 BS 0 SC 1 G32	M 32 / 1.5	23.20-30.50	19.00-26.30	0.15-0.55	65 / 16	46	55	L46	10	1135740000
KDSX M32 BS 0 SC 2 G32	M 32 / 1.5	26.70-34.00	19.00-26.30	0.15-0.55	65 / 16	46	55	L46	10	1135750000
KDSX M40 BS 0 SC 1 G40	M 40 / 1.5	28.60-36.20	25.00-32.20	0.2-0.6	72 / 16	55	65	L55	10	1135760000
KDSX M40 BS 0 SC 2 G40	M 40 / 1.5	33.00-40.60	25.00-32.20	0.2-0.6	72 / 16	55	65	L55	10	1135770000
KDSX M50 BS 0 SC 1 G50S	M 50 / 1.5	34.80-42.40	31.50-38.20	0.2-0.6	73 / 16	65	80	L65	1	1135780000
KDSX M50 BS 0 SC 2 G50S	M 50 / 1.5	39.40-46.70	31.50-38.20	0.2-0.6	73 / 16	65	80	L65	1	1135790000
KDSX M50 BS 0 SC 1 G50	M 50 / 1.5	41.10-48.50	36.50-44.10	0.3-0.8	73 / 16	65	80	L65	1	1135800000
KDSX M50 BS 0 SC 2 G50	M 50 / 1.5	45.70-53.20	36.50-44.10	0.3-0.8	73 / 16	65	80	L65	1	1135810000
KDSX M63 BS 0 SC 1 G63S	M 63 / 1.5	47.50-54.80	42.50-50.10	0.3-0.8	76 / 19	80	95	L80	1	1135820000
KDSX M63 BS 0 SC 2 G63S	M 63 / 1.5	52.10-59.50	42.50-50.10	0.3-0.8	76 / 19	80	95	L80	1	1135830000
KDSX M63 BS 0 SC 1 G63	M 63 / 1.5	53.80-61.20	49.50-56.00	0.3-0.8	76 / 19	80	95	L80	1	1135840000
KDSX M63 BS 0 SC 2 G63	M 63 / 1.5	58.40-65.80	49.50-56.00	0.3-0.8	76 / 19	80	95	L80	1	1135850000
KDSX M75 BS 0 SC 1 G75S	M 75 / 1.5	60.20-68.00	54.50-62.00	0.3-1	82 / 19	90	110	L90	1	1135860000
KDSX M75 BS 0 SC 2 G75S	M 75 / 1.5	64.80-72.20	54.50-62.00	0.3-1	82 / 19	90	110	L90	1	1135870000
KDSX M75 BS 0 SC 1 G75	M 75 / 1.5	66.50-73.40	60.50-68.00	0.3-1	82 / 19	90	110	L90	1	1135880000
KDSX M75 BS 0 SC 2 G75	M 75 / 1.5	71.10-78.00	60.50-68.00	0.3-1	82 / 19	90	110	L90	1	1135890000

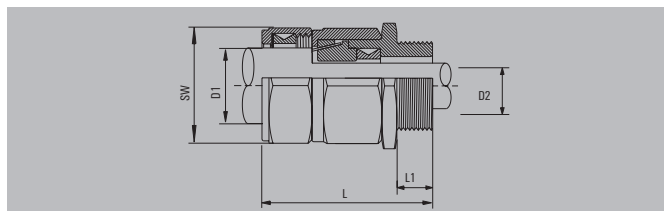
Note

- All cable glands have a thread pitch of 1.5 mm.
- In the case of Ex d applications, the inner threads used for cable glands must meet the requirements of section 5.3 of EN/IEC 60079-1. In the screwed in position, at least 5 threads must be engaged.
- If the cable glands are installed in non-metallic Ex e connection equipment, these must be connected to the protective earth of the system.
- The connection cable must be laid securely and inflexibly to rule out tensile stress.

Klippon® cable glands - Brass - Ex e, Ex d, IP 66 / IP 68 for armoured cables



Cable gland for cables and lines with braided armouring.



Technical data

Material	Brass, nickel-plated
Seal insert	Silicone
Temperature range	-60 °C...180 °C
Protection degree	IP 54
Protection degree with GWDR	IP 66, IP 68 - 2.5 bar
Water depth	25 m (30 Min.)
Type of armouring	Braided armouring
Approval	ATEX II 2 GD, Ex d IIC / Ex e II / Ex tD A21 IP68, IECEx Ex d IIC / Ex e II

Note IP protection without GWDR is IP 54. To achieve IP 66/68 protection, a nylon GWDR must be ordered separately.

Ordering data

Typ	Thread	D1 outer cable Ø	D2 inner cable Ø	Cable armour	L/L1	SW	MODR	SUHB	Qty.	Order No.
metric, nickel-plated brass										
KDSX M20 BS 0 NI 1 G16	M 20 / 1.5	4.90-10.00	4.00-8.40	0.15-0.35	58 / 16	24	32.5	L24	20	1135910000
KDSX M20 BS 0 NI 2 G16	M 20 / 1.5	8.40-13.50	4.00-8.40	0.15-0.35	58 / 16	24	32.5	L24	20	1135920000
KDSX M20 BS 0 NI 1 G20	M 20 / 1.5	12.00-17.60	6.70-14.00	0.15-0.5	58 / 16	30	32.5	L30	20	1135950000
KDSX M20 BS 0 NI 2 G20	M 20 / 1.5	15.50-21.10	6.70-14.00	0.15-0.5	58 / 16	30	32.5	L30	20	1135960000
KDSX M20 BS 0 NI 1 G20S	M 20 / 1.5	9.40-12.50	8.00-11.70	0.15-0.35	58 / 16	24	32.5	L24	20	1135930000
KDSX M20 BS 0 NI 2 G20S	M 20 / 1.5	11.50-16.00	8.00-11.70	0.15-0.35	58 / 16	24	32.5	L24	20	1135940000
KDSX M25 BS 0 NI 1 G25	M 25 / 1.5	16.80-23.90	13.00-20.00	0.15-0.5	58 / 16	38	47.5	L38	20	1135970000
KDSX M25 BS 0 NI 2 G25	M 25 / 1.5	20.30-27.40	13.00-20.00	0.15-0.5	58 / 16	38	47.5	L38	20	1135980000
KDSX M32 BS 0 NI 1 G32	M 32 / 1.5	23.20-30.50	19.00-26.30	0.15-0.55	65 / 16	46	55	L46	10	1135990000
KDSX M32 BS 0 NI 2 G32	M 32 / 1.5	26.70-34.00	19.00-26.30	0.15-0.55	65 / 16	46	55	L46	10	1136000000
KDSX M40 BS 0 NI 1 G40	M 40 / 1.5	28.60-36.20	25.00-32.20	0.2-0.6	72 / 16	55	65	L55	10	1136010000
KDSX M40 BS 0 NI 2 G40	M 40 / 1.5	33.00-40.60	25.00-32.20	0.2-0.6	72 / 16	55	65	L55	10	1136020000
KDSX M50 BS 0 NI 1 G50	M 50 / 1.5	41.10-48.50	36.50-44.10	0.2-0.8	73 / 16	65	80	L65	1	1136050000
KDSX M50 BS 0 NI 2 G50	M 50 / 1.5	45.70-53.20	36.50-44.10	0.2-0.8	73 / 16	65	80	L65	1	1136060000
KDSX M50 BS 0 NI 1 G50S	M 50 / 1.5	34.80-42.40	31.50-38.20	0.2-0.6	73 / 16	65	80	L65	1	1136030000
KDSX M50 BS 0 NI 2 G50S	M 50 / 1.5	39.40-46.70	31.50-38.20	0.2-0.6	73 / 16	65	80	L65	1	1136040000
KDSX M63 BS 0 NI 1 G63	M 63 / 1.5	53.80-61.20	49.50-65.00	0.3-0.8	76 / 19	80	95	L80	1	1136090000
KDSX M63 BS 0 NI 2 G63	M 63 / 1.5	58.40-65.80	49.50-65.00	0.3-0.8	76 / 19	80	95	L80	1	1136110000
KDSX M63 BS 0 NI 1 G63S	M 63 / 1.5	47.50-54.80	42.50-50.10	0.3-0.8	76 / 19	80	95	L80	1	1136070000
KDSX M63 BS 0 NI 2 G63S	M 63 / 1.5	52.10-59.50	42.50-50.10	0.3-0.8	76 / 19	80	95	L80	1	1136080000
KDSX M75 BS 0 NI 1 G75	M 75 / 1.5	66.50-73.40	60.50-68.00	0.3-1	82 / 19	90	110	L90	1	1136140000
KDSX M75 BS 0 NI 2 G75	M 75 / 1.5	71.10-78.00	60.50-68.00	0.3-1	82 / 19	90	110	L90	1	1136150000
KDSX M75 BS 0 NI 1 G75S	M 75 / 1.5	60.20-68.00	54.50-62.00	0.3-1	82 / 19	90	110	L90	1	1136120000
KDSX M75 BS 0 NI 2 G75S	M 75 / 1.5	64.80-72.20	54.50-62.00	0.3-1	82 / 19	90	110	L90	1	1136130000

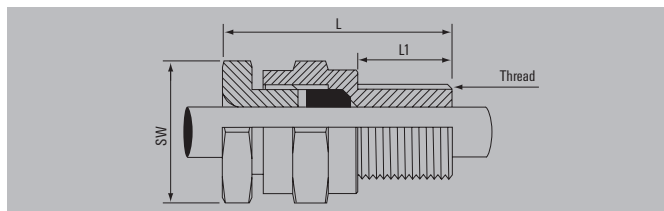
Note

- All cable glands have a thread pitch of 1.5 mm.
- In the case of Ex d applications, the inner threads used for cable glands must meet the requirements of section 5.3 of EN/IEC 60079-1. In the screwed in position, at least 5 threads must be engaged.
- If the cable glands are installed in non-metallic Ex e connection equipment, these must be connected to the protective earth of the system.
- The connection cable must be laid securely and inflexibly to rule out tensile stress.

Klippon® cable glands - Brass - Ex e, Ex d, IP 66 / IP 68 for non-armoured cables



Cable gland exclusively for non-armoured cables and lines.



Technical data

Material	Brass, nickel-plated
O-ring / Seal insert	CR / CR
Temperature range	-20 °C...85 °C
Degree of protection	IP 66, IP 68 - 2.5 bar
Water depth	25 m (30 Min.)
Approval	ATEX II 2 GD, Ex d IIC / Ex e II / Ex tD A21 IP68, IECEx Ex d IIC / Ex e II

Note Length „L“ varies according to cable diameter used.

Ordering data

Typ	Thread	KB	L/L1	SW	SUHB	Qty.	Order No.
metric, brass							
KSG M20 BN O SC 2 G16	M 20 / 1.5	4-8.4	33 / 16	25	L24	20	1909380000
KSG M20 BN O SC 2 G20S	M 20 / 1.5	7.2-11.7	33 / 16	25	L24	20	1909400000
KSG M20 BN O SC 2 G20	M 20 / 1.5	9.6-14	33 / 16	30	L30	20	1909410000
KSG M25 BN O SC 2 G25	M 25 / 1.5	13.5-20	33 / 16	38	L38	20	1909420000
KSG M32 BN O SC 2 G32	M 32 / 1.5	19.5-26.3	33 / 16	46	L46	10	1909430000
KSG M40 BN O SC 2 G40	M 40 / 1.5	23-32.2	37 / 16	55	L55	10	1909440000
KSG M50 BN O SC 2 G50S	M 50 / 1.5	28.2-38.2	37 / 16	65	L65	1	1909450000
KSG M50 BN O SC 2 G50	M 50 / 1.5	33.2-44.1	37 / 16	65	L65	1	1909460000
KSG M63 BN O SC 2 G63S	M 63 / 1.5	39.3-50.1	37 / 19	80	L80	1	1909470000
KSG M63 BN O SC 2 G63	M 63 / 1.5	46.7-56	37 / 19	80	L80	1	1909480000
KSG M75 BN O SC 2 G75	M 75 / 1.5	58.1-68	37 / 19	90	L90	1	1075340000
KSG M75 BN O SC 2 G75S	M 75 / 1.5	52.3-62	37 / 19	90	L90	1	1075330000
metric, nickel-plated brass							
KSG M20 BN O NI 2 G16	M 20 / 1.5	4-8.4	33 / 16	25	L24	20	1911510000
KSG M20 BN O NI 2 G20S	M 20 / 1.5	7.2-11.7	33 / 16	25	L24	20	1911540000
KSG M20 BN O NI 2 G20	M 20 / 1.5	9.6-14	33 / 16	30	L30	20	1911560000
KSG M25 BN O NI 2 G25	M 25 / 1.5	13.5-20	33 / 16	38	L38	20	1911570000
KSG M32 BN O NI 2 G32	M 32 / 1.5	19.5-26.3	33 / 16	46	L46	10	1911580000
KSG M40 BN O NI 2 G40	M 40 / 1.5	23-32.2	37 / 16	55	L55	10	1911590000
KSG M50 BN O NI 2 G50S	M 50 / 1.5	28.2-38.2	37 / 16	65	L65	1	1911600000
KSG M50 BN O NI 2 G50	M 50 / 1.5	33.2-44.1	37 / 16	65	L65	1	1911610000
KSG M63 BN O NI 2 G63S	M 63 / 1.5	39.3-50.1	37 / 19	80	L80	1	1911620000
KSG M63 BN O NI 2 G63	M 63 / 1.5	46.7-56	37 / 19	80	L80	1	1911630000
KSG M75 BN O NI 2 G75	M 75 / 1.5	58.1-68	37 / 19	90	L90	1	1075360000
KSG M75 BN O NI 2 G75S	M 75 / 1.5	52.3-62	37 / 19	90	L90	1	1075350000

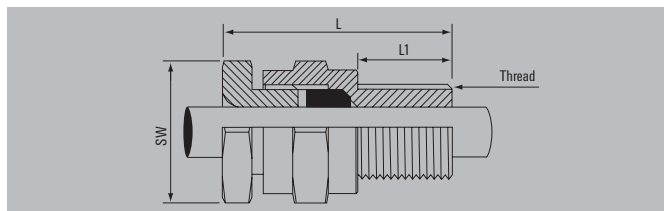
Note

- All cable glands have a thread pitch of 1.5 mm.
- In the case of Ex d applications, the inner threads used for cable glands must meet the requirements of section 5.3 of EN/IEC 60079-1. In the screwed in position, at least 5 threads must be engaged.
- If the cable glands are installed in non-metallic Ex e connection equipment, these must be connected to the protective earth of the system.
- The connection cable must be laid securely and inflexibly to rule out tensile stress.

Klippon® cable glands - Brass - Ex e, Ex d, IP 66 / IP 68 for non-armoured cables



Cable gland exclusively for non-armoured cables and lines.



Technical data

Material	Brass
O-ring / Seal insert	Silicone / Silicone
Temperature range	-60 °C...180 °C
Degree of protection	IP 66, IP 68 - 2.5 bar
Water depth	25 m (30 Min.)
Approval	ATEX II 2 GD, Ex d IIC / Ex e II / Ex tD A21 IP68, IECEx Ex d IIC / Ex e II

Note

Ordering data

Typ	Thread	KB	L/L1	SW	SUHB	Qty.	Order No.
metric, brass							
KSG M20 BS 0 SC 2 G16	M 20 / 1.5	4.8-4	33 / 16	25	L24	20	0930481212
KSG M20 BS 0 SC 2 G20	M 20 / 1.5	9.6-14	33 / 16	30	L30	20	0930501212
KSG M20 BS 0 SC 2 G20S	M 20 / 1.5	7.2-11.7	33 / 16	25	L24	20	1136720000
KSG M25 BS 0 SC 2 G25	M 25 / 1.5	13.5-20	33 / 16	38	L38	20	0930511212
KSG M32 BS 0 SC 2 G32	M 32 / 1.5	19.5-26.3	33 / 16	46	L46	10	0930521212
KSG M40 BS 0 SC 2 G40	M 40 / 1.5	23-32.2	37 / 16	55	L55	10	0930531212
KSG M50 BS 0 SC 2 G50	M 50 / 1.5	33.2-44.1	37 / 16	65	L65	1	0930551212
KSG M50 BS 0 SC 2 G50S	M 50 / 1.5	28.2-38.2	37 / 16	65	L65	1	1136730000
KSG M63 BS 0 SC 2 G63	M 63 / 1.5	46.7-56	37 / 19	80	L80	1	1136750000
KSG M63 BS 0 SC 2 G63S	M 63 / 1.5	39.3-50.1	37 / 19	80	L80	1	1136740000
KSG M75 BS 0 SC 2 G75	M 75 / 1.5	58.1-68	37 / 19	90	L90	1	1136770000
KSG M75 BS 0 SC 2 G75S	M 75 / 1.5	52.3-62	37 / 19	90	L90	1	1136760000
metric, nickel-plated brass							
KSG M20 BS 0 NI 2 G16	M 20 / 1.5	4.8-4	33 / 16	25	L24	20	0930481222
KSG M20 BS 0 NI 2 G20	M 20 / 1.5	9.6-14	33 / 16	25	L30	20	0930501222
KSG M20 BS 0 NI 2 G20S	M 20 / 1.5	7.2-11.7	33 / 16	25	L24	20	0930491222
KSG M25 BS 0 NI 2 G25	M 25 / 1.5	13.5-20	33 / 16	38	L38	20	0930511222
KSG M32 BS 0 NI 2 G32	M 32 / 1.5	19.5-26.3	33 / 16	46	L46	10	0930521222
KSG M40 BS 0 NI 2 G40	M 40 / 1.5	23-32.2	37 / 16	55	L55	10	0930531222
KSG M50 BS 0 NI 2 G50	M 50 / 1.5	33.2-44.1	37 / 16	65	L65	1	1136670000
KSG M50 BS 0 NI 2 G50S	M 50 / 1.5	28.2-38.2	37 / 16	65	L65	1	1136660000
KSG M63 BS 0 NI 2 G63	M 63 / 1.5	46.7-56	37 / 19	80	L80	1	1136690000
KSG M63 BS 0 NI 2 G63S	M 63 / 1.5	39.3-50.1	37 / 19	80	L80	1	1136680000
KSG M75 BS 0 NI 2 G75	M 75 / 1.5	58.1-68	37 / 19	90	L90	1	1136710000
KSG M75 BS 0 NI 2 G75S	M 75 / 1.5	52.3-62	37 / 19	90	L90	1	1136700000

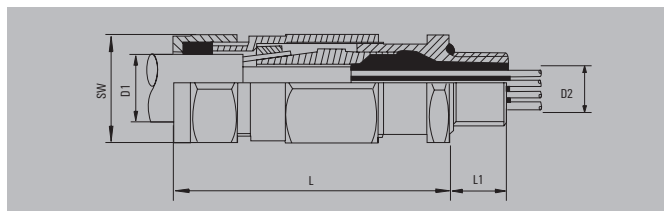
Note

- All cable glands have a thread pitch of 1.5 mm.
- In the case of Ex d applications, the inner threads used for cable glands must meet the requirements of section 5.3 of EN/IEC 60079-1. In the screwed in position, at least 5 threads must be engaged.
- If the cable glands are installed in non-metallic Ex e connection equipment, these must be connected to the protective earth of the system.
- The connection cable must be laid securely and inflexibly to rule out tensile stress.

Klippon® cable glands - Brass - Ex d, IP 68 for armoured and non-armoured encapsulated cables



Barrier cable glands for cables and lines with a single-wire, metal-foil armouring, and braided armouring for Ex-d IIC enclosure, with a volume of more than two litres.



Technical data

Material	Brass
O-ring / Seal insert	Silicone / CR
Temperature range	-60 °C...85 °C
Degree of protection	IP 68 - 10 bar
Water depth	100 m (30 Min.)
Type of armouring	Single-wire armouring, Metal foil armouring, Braided armouring
Encapsulation compound	Processing temperature at 21°C, the sealing compound is hardened after one hour, After 4 hours, the cable gland can be installed and initial commissioning can take place
Approval	ATEX II 2 GD, Ex d IIC / Ex tD A21 IP68, I M2 Ex d I, IECEx Ex d IIC / Ex d I
Note	

Ordering data

Typ	Thread	D1 outer cable Ø	D2 inner cable Ø	L/L1	SW	SUHB	Qty.	Order No.
metric, brass								
KUB M20 BS 0 SC 1 G16	M 20 / 1.5	6.70-16.00	14.00	72 / 16	24	L24	20	1095340000
KUB M20 BS 0 SC 2 G16	M 20 / 1.5	9.00-17.60	11.70	72 / 16	24	L24	20	1095350000
KUB M20 BS 0 SC 1 G20S	M 20 / 1.5	9.40-10.30	11.70	72 / 16	24	L24	20	1095360000
KUB M20 BS 0 SC 2 G20S	M 20 / 1.5	11.50-21.10	11.70	72 / 16	24	L24	20	1095370000
KUB M20 BS 0 SC 1 G20	M 20 / 1.5	12.00-13.50	11.70	73 / 16	30	EL30	20	1095380000
KUB M20 BS 0 SC 2 G20	M 20 / 1.5	15.50-12.50	14.00	73 / 16	30	EL30	20	1095390000
KUB M25 BS 0 SC 1 G25	M 25 / 1.5	16.80-23.90	20.00	83 / 16	38	EL38	20	1095400000
KUB M25 BS 0 SC 2 G25	M 25 / 1.5	20.30-27.40	20.00	83 / 16	38	EL38	20	1095410000
KUB M32 BS 0 SC 1 G32	M 32 / 1.5	23.20-30.50	26.30	103 / 16	46	EL46	10	1095420000
KUB M32 BS 0 SC 2 G32	M 32 / 1.5	26.70-34.00	26.30	103 / 16	46	EL46	10	1095430000
KUB M40 BS 0 SC 1 G40	M 40 / 1.5	28.60-36.20	32.20	105 / 16	55	EL55	10	1095440000
KUB M40 BS 0 SC 2 G40	M 40 / 1.5	33.00-46.70	38.20	105 / 16	55	EL55	10	1095450000
KUB M50 BS 0 SC 1 G50S	M 50 / 1.5	34.80-48.50	44.10	115 / 16	65	EL65	1	1095460000
KUB M50 BS 0 SC 2 G50S	M 50 / 1.5	39.40-59.50	50.10	115 / 16	65	EL65	1	1095470000
KUB M50 BS 0 SC 1 G50	M 50 / 1.5	41.10-40.60	32.20	115 / 16	65	EL65	1	1095480000
KUB M50 BS 0 SC 2 G50	M 50 / 1.5	45.70-42.40	38.20	115 / 16	65	EL65	1	1095490000
KUB M63 BS 0 SC 1 G63S	M 63 / 1.5	47.50-61.20	56.00	115 / 19	80	EL80	1	1095500000
KUB M63 BS 0 SC 2 G63S	M 63 / 1.5	52.10-72.20	62.00	115 / 19	80	EL80	1	1095510000
KUB M63 BS 0 SC 1 G63	M 63 / 1.5	53.80-53.20	44.10	115 / 19	80	EL80	1	1095520000
KUB M63 BS 0 SC 2 G63	M 63 / 1.5	58.40-54.80	50.10	115 / 19	80	EL80	1	1095530000
KUB M75 BS 0 SC 1 G75S	M 75 / 1.5	60.20-73.40	68.00	122 / 19	90	EL90	1	1095540000
KUB M75 BS 0 SC 2 G75S	M 75 / 1.5	64.80-78.00	68.00	122 / 19	90	EL90	1	1095550000
KUB M75 BS 0 SC 1 G75	M 75 / 1.5	66.50-65.80	56.00	122 / 19	90	EL90	1	1095560000
KUB M75 BS 0 SC 2 G75	M 75 / 1.5	71.10-68.00	62.00	122 / 19	90	EL90	1	1095570000

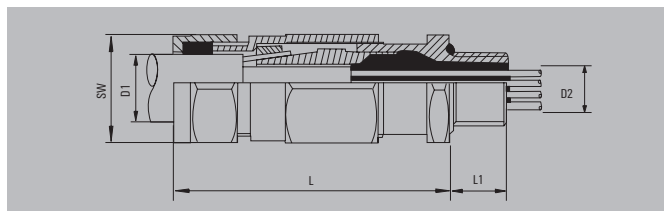
Note

- All cable glands have a thread pitch of 1.5 mm.
- In the case of Ex d applications, the inner threads used for cable glands must meet the requirements of section 5.3 of EN/IEC 60079-1. In the screwed in position, at least 5 threads must be engaged.
- The connection cable must be laid securely and inflexibly to rule out tensile stress.

Klippon® cable glands - Brass - Ex d, IP 68 for armoured and non-armoured encapsulated cables



Barrier cable glands for cables and lines with a single-wire, metal-foil armouring, and braided armouring for Ex-d IIC enclosure, with a volume of more than two litres.



Technical data

Material	Brass, nickel-plated
O-ring / Seal insert	Silicone / Silicone
Temperature range	-60 °C...85 °C
Degree of protection	IP 68 - 10 bar
Water depth	100 m (30 Min.)
Type of armouring	Single-wire armouring, Metal foil armouring, Braided armouring
Encapsulation compound	Processing temperature at 21°C, the sealing compound is hardened after one hour, After 4 hours, the cable gland can be installed and initial commissioning can take place
Approval	ATEX II 2 GD, Ex d IIC / Ex tD A21 IP68, I M2 Ex d I, IECEx Ex d IIC / Ex d I
Note	

Ordering data

Typ	Thread	D1 outer cable Ø	D2 inner cable Ø	L/L1	SW	SUHB	Qty.	Order No.
metric, nickel-plated brass								
KUB M20 BS 0 NI 1 G16	M 20 / 1.5	6.70-10.30	11.70	72 / 16	24	L24	20	1095100000
KUB M20 BS 0 NI 2 G16	M 20 / 1.5	9.00-13.50	11.70	72 / 16	24	L24	20	1095110000
KUB M20 BS 0 NI 1 G20	M 20 / 1.5	12.00-17.60	11.70	73 / 16	30	EL30	20	1095140000
KUB M20 BS 0 NI 2 G20	M 20 / 1.5	15.50-21.10	11.70	73 / 16	30	EL30	20	1095150000
KUB M20 BS 0 NI 1 G20S	M 20 / 1.5	9.40-12.50	14.00	72 / 16	24	L24	20	1095120000
KUB M20 BS 0 NI 2 G20S	M 20 / 1.5	11.50-16.00	14.00	72 / 16	24	L24	20	1095130000
KUB M25 BS 0 NI 1 G25	M 25 / 1.5	16.80-23.90	20.00	83 / 16	38	EL38	20	1095160000
KUB M25 BS 0 NI 2 G25	M 25 / 1.5	20.30-27.40	20.00	83 / 16	38	EL38	20	1095170000
KUB M32 BS 0 NI 1 G32	M 32 / 1.5	23.20-30.50	26.30	103 / 16	46	EL46	10	1095180000
KUB M32 BS 0 NI 2 G32	M 32 / 1.5	26.70-34.00	26.30	103 / 16	46	EL46	10	1095190000
KUB M40 BS 0 NI 1 G40	M 40 / 1.5	28.60-36.20	32.20	105 / 16	55	EL55	10	1095200000
KUB M40 BS 0 NI 2 G40	M 40 / 1.5	33.00-40.60	32.20	105 / 16	55	EL55	10	1095210000
KUB M50 BS 0 NI 1 G50	M 50 / 1.5	41.10-48.50	44.10	115 / 16	65	EL65	1	1095240000
KUB M50 BN 0 NI 2 G50	M 50 / 1.5	45.70-53.20	44.10	115 / 16	65	EL65	1	1095250000
KUB M50 BS 0 NI 1 G50S	M 50 / 1.5	34.80-42.40	38.20	115 / 16	65	EL65	1	1095220000
KUB M50 BS 0 NI 2 G50S	M 50 / 1.5	39.40-46.70	38.20	115 / 16	65	EL65	1	1095230000
KUB M63 BS 0 NI 1 G63	M 63 / 1.5	53.80-61.20	56.00	115 / 19	80	EL80	1	1095280000
KUB M63 BS 0 NI 2 G63	M 63 / 1.5	58.40-65.80	56.00	115 / 19	80	EL80	1	1095290000
KUB M63 BS 0 NI 1 G63S	M 63 / 1.5	47.50-54.80	50.10	115 / 19	80	EL80	1	1095260000
KUB M63 BS 0 NI 2 G63S	M 63 / 1.5	52.10-59.50	50.10	115 / 19	80	EL80	1	1095270000
KUB M75 BS 0 NI 1 G75	M 75 / 1.5	66.50-73.40	68.00	122 / 19	90	EL90	1	1095320000
KUB M75 BS 0 NI 2 G75	M 75 / 1.5	71.10-78.00	68.00	122 / 19	90	EL90	1	1095330000
KUB M75 BS 0 NI 1 G75S	M 75 / 1.5	60.20-68.00	62.00	122 / 19	90	EL90	1	1095300000
KUB M75 BS 0 NI 2 G75S	M 75 / 1.5	64.80-72.20	62.00	122 / 19	90	EL90	1	1095310000

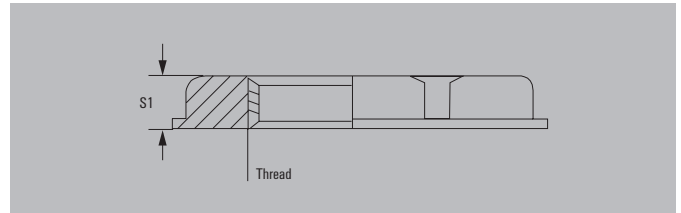
Note

- All cable glands have a thread pitch of 1.5 mm.
- In the case of Ex d applications, the inner threads used for cable glands must meet the requirements of section 5.3 of EN/IEC 60079-1. In the screwed in position, at least 5 threads must be engaged.
- The connection cable must be laid securely and inflexibly to rule out tensile stress.

Lock nuts - Plastic 7035



Lock nuts with collar for preventing enclosure damage on installation. These are used to secure plastic cable glands and sealing plugs.



Technical data

Material / Colour	Polyamid 6 (PA6 - GF30) / RAL 7035
Temperature range	-20 °C...80 °C
Flammability rating	V-2

Note

Ordering data

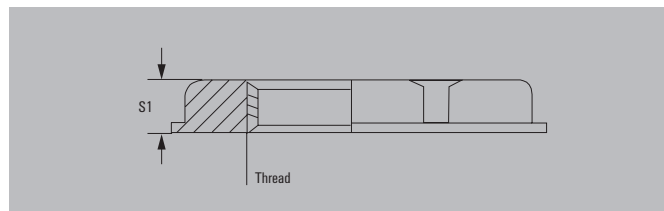
Typ metric	Thread	S1	SW	Qty.	Order No.
SKMU M12 - K GR	M 12 / 1.5	5.00	18	100	1772440000
SKMU M16 - K GR	M 16 / 1.5	5.00	22	100	1772450000
SKMU M20 - K GR	M 20 / 1.5	6.00	26	100	1772460000
SKMU M25 - K GR	M 25 / 1.5	6.00	32	100	1772470000
SKMU M32 - K GR	M 32 / 1.5	7.00	41	100	1772480000
SKMU M40 - K GR	M 40 / 1.5	7.00	50	50	1772490000
SKMU M50 - K GR	M 50 / 1.5	8.00	60	10	1772500000
SKMU M63 - K GR	M 63 / 1.5	8.00	75	10	1772510000
PG					
SKMU PG7-K GR	PG 7	5.00	19	100	1697440000
SKMU PG9-K GR	PG 9	5.00	22	100	1697450000
SKMU PG11-K GR	PG 11	5.00	24	100	1697460000
SKMU PG 13.5-K GR	PG 13.5	6.00	27	100	1697470000
SKMU PG16-K GR	PG 16	6.00	30	100	1697480000
SKMU PG21-K GR	PG 21	7.00	36	100	1698220000
SKMU PG29-K GR	PG 29	7.00	46	50	1698230000
SKMU PG36-K GR	PG 36	8.00	60	25	1698240000
SKMU PG42-K GR	PG 42	8.00	65	25	1698250000
SKMU PG48-K GR	PG 48	8.00	70	25	1719090000

Note Further versions on request

Lock nuts - Plastic 9005



Lock nuts with collar for preventing enclosure damage on installation. These are used to secure plastic cable glands and sealing plugs - recommended for Ex e and Ex i plastic cable glands.



Technical data

Material / Colour	Polyamid 6 (PA6 - GF30) / RAL 9005
Temperature range	-20 °C...80 °C
Flammability rating	V-2

Note

Ordering data

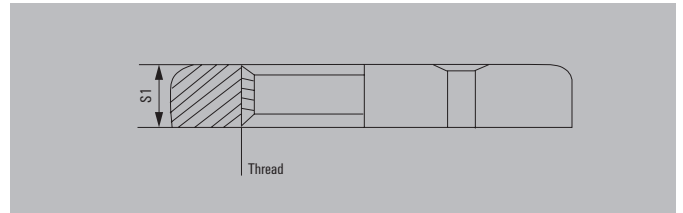
Typ metric	Thread	S1	SW	Qty.	Order No.
SKMU M12-K SW	M 12 / 1.5	5.00	18	100	1806540000
SKMU M16 K SW	M 16 / 1.5	5.00	22	100	1736920000
SKMU M20 K SW	M 20 / 1.5	6.00	26	100	1736930000
SKMU M25 K SW	M 25 / 1.5	6.00	32	25	1736940000
SKMU M32 K SW	M 32 / 1.5	7.00	41	100	1736950000
SKMU M40 K SW	M 40 / 1.5	7.00	50	10	1736960000
SKMU M50 K SW	M 50 / 1.5	8.00	60	5	1736970000
SKMU M63 K SW	M 63 / 1.5	8.00	75	5	1736980000
PG					
SKMU PG7-K SW	PG 7	5.00	19	50	1719100000
SKMU PG9-K SW	PG 9	5.00	22	50	1719110000
SKMU PG11-K SW	PG 11	5.00	24	50	1719120000
SKMU PG13.5-K SW	PG 13.5	6.00	27	50	1719130000
SKMU PG16-K SW	PG 16	6.00	30	25	1719140000
SKMU PG21-K SW	PG 21	7.00	36	20	1719150000
SKMU PG29-K SW	PG 29	7.00	46	20	1719160000
SKMU PG36-K SW	PG 36	8.00	60	10	1719170000
SKMU PG42-K SW	PG 42	8.00	65	10	1719180000
SKMU PG48-K SW	PG 48	8.00	70	5	1719190000

Note

Lock nuts - Brass - Nickel-plated



A lock nut is used to secure the brass cable glands and sealing plugs - also recommended when working with Ex applications.



Technical data

Material Brass, nickel-plated

Note

Ordering data

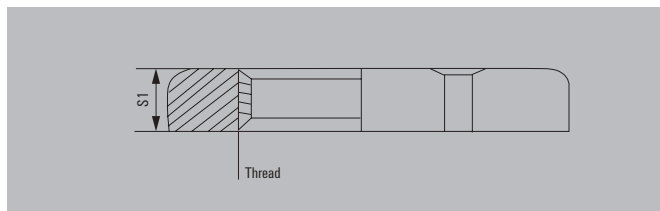
Typ	Thread	S1	SW	Qty.	Order No.
metric					
SKMU M12 - MS	M 12 / 1.5	2.8	14	50	1772360000
SKMU M16 MS	M 16 / 1.5	2.8	19	50	1736990000
SKMU M20 MS	M 20 / 1.5	3	24	50	1737000000
SKMU M25 MS	M 25 / 1.5	3	28	25	1737010000
SKMU M32 MS	M 32 / 1.5	4	36	20	1737020000
SKMU M40 MS	M 40 / 1.5	4.5	44	10	1737030000
SKMU M50 MS	M 50 / 1.5	5	54	5	1737040000
SKMU M63 MS	M 63 / 1.5	6	70	5	1737050000
SKMU M75 MS	M 75 / 1.5	8	85	5	1737060000
PG					
SKMU PG7-MS	PG 7	2.8	15	100	1694070000
SKMU PG9-MS	PG 9	2.8	18	100	1694080000
SKMU PG11-MS	PG 11	3	21	100	1694090000
SKMU PG13.5-MS	PG 13.5	3	23	100	1694100000
SKMU PG16-MS	PG 16	3	26	100	1694110000
SKMU PG21-MS	PG 21	3.5	32	50	1719200000
SKMU PG29-MS	PG 29	4	41	50	1719210000
SKMU PG36-MS	PG 36	5	51	50	1719220000
SKMU PG42-MS	PG 42	5	60	50	1719230000
SKMU PG48-MS	PG 48	5.5	64	50	1719240000

Note Further versions on request

Lock nuts - Brass - Natural



A lock nut made from untreated brass is used to secure the brass cable glands and sealing plugs – also recommended when working with Ex applications.



Technical data

Material	Brass
----------	-------

Note

Ordering data

Typ metric	Thread	S1	SW	Qty.	Order No.
SKMU M16 MS SC	M 16 / 1.5	4	22	50	0930640001
SKMU M20 MS SC	M 20 / 1.5	4	24	50	0930640002
SKMU M25 MS SC	M 25 / 1.5	4	30	25	0930640003
SKMU M32 MS SC	M 32 / 1.5	4	40	20	0930640004
SKMU M40 MS SC	M 40 / 1.5	4.5	50	10	0930640005
SKMU M50 MS SC	M 50 / 1.5	5	65	5	0930640006
SKMU M63 MS SC	M 63 / 1.5	6.5	75	5	0930640007
SKMU M75 MS SC	M 75 / 1.5	7	90	5	0930640008
SKMU M80 MS SC	M 80 / 1.5	7	90	5	0930640009
SKMU M85 MS SC	M 85 / 1.5	7	104.8	5	0930640010
SKMU M90 MS SC	M 90 / 1.5	7	104.8	5	0930640011

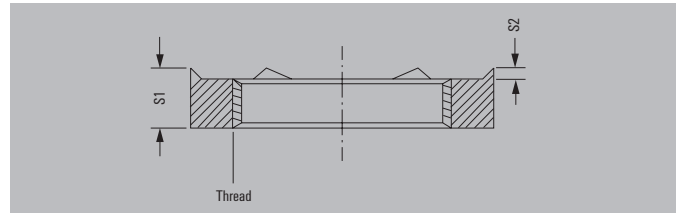
Note

Accessories - Lock nuts

Lock nuts - Brass - EMC



Serrated locks are used for securing brass cable glands and sealing plugs – specially equipped with 6 edges which contact the enclosure when the lock nut is tightened.



Technical data

Material Brass, nickel-plated

Note

Ordering data

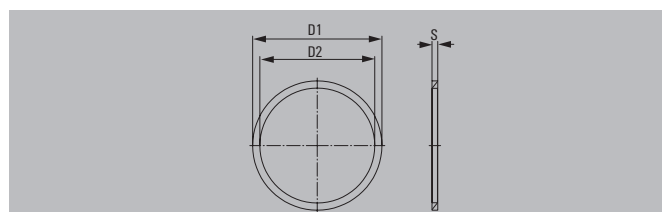
Typ metric	Thread	S1	SW	Qty.	Order No.
SKMU EMV M12	M 12 / 1.5	3.6	15	50	1777610000
SKMU EMV M16	M 16 / 1.5	3.6	19	50	1777620000
SKMU EMV M20	M 20 / 1.5	3.6	24	50	1777630000
SKMU EMV M25	M 25 / 1.5	3.6	30	20	1777640000
SKMU EMV M32	M 32 / 1.5	4.1	36	20	1777650000
SKMU EMV M40	M 40 / 1.5	4.6	46	10	1777660000
SKMU EMV M50	M 50 / 1.5	4.6	60	10	1777670000
SKMU EMV M63	M 63 / 1.5	6.6	70	10	1777680000
PG					
SKMU EMV PG7	PG 7	4.7	15	20	1718900000
SKMU EMV PG9	PG 9	4.7	18	20	1718910000
SKMU EMV PG11	PG 11	4.7	21	20	1718920000
SKMU EMV PG13.5	PG 13.5	4.7	23	10	1718930000
SKMU EMV PG16	PG 16	4.7	26	10	1718940000
SKMU EMV PG21	PG 21	5.2	32	10	1718950000
SKMU EMV PG29	PG 29	5.7	41	15	1718960000
SKMU EMV PG 36	PG 36	4.6	51	1	1777710000
SKMU EMV PG 42	PG 42	4.6	58	1	1777700000
SKMU EMV PG 48	PG 48	5.6	64	1	1777690000

Note Further versions on request

Flat IP washer - Standard - Polyethylene



Flat IP washer for increasing the degree of protection for cable glands and sealing plugs.
The IP washer is also suitable as a replacement for O-rings.



Technical data

Material / Colour	Polyethylene / Transparent
Temperature range	-30 °C...90 °C

Note

Ordering data

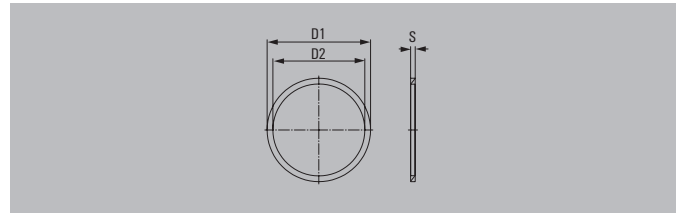
Typ	Thread	D1	D2	S	Qty.	Order No.
metric						
GWDR M12-PO	M 12 / 1.5	16.00	12.00	1.50	50	1777920000
GWDR M16-PO	M 16 / 1.5	20.00	16.00	1.50	50	1777930000
GWDR M20-PO	M 20 / 1.5	25.00	20.40	2.00	100	1777940000
GWDR M25-PO	M 25 / 1.5	30.00	25.00	2.00	50	1777950000
GWDR M32-PO	M 32 / 1.5	38.00	32.00	2.00	50	1777960000
GWDR M40-PO	M 40 / 1.5	45.00	40.00	2.00	50	1777970000
GWDR M50-PO	M 50 / 1.5	56.00	50.00	2.00	50	1777980000
GWDR M63-PO	M 63 / 1.5	70.00	63.00	2.00	50	1777990000
PG						
GWDR PG7-PO	PG 7	16.50	12.50	1.60	100	1719440000
GWDR PG9-PO	PG 9	19.00	15.20	1.60	100	1719450000
GWDR PG11-PO	PG 11	22.50	18.60	1.80	100	1719460000
GWDR PG13.5-PO	PG 13.5	25.00	20.40	1.80	100	1719470000
GWDR PG16-PO	PG 16	27.00	22.50	1.80	100	1719480000
GWDR PG21-PO	PG 21	33.50	28.30	2.20	100	1719490000
GWDR PG29-PO	PG 29	43.50	37.00	2.20	50	1719500000
GWDR PG36-PO	PG 36	55.00	47.00	2.70	50	1719510000
GWDR PG42-PO	PG 42	63.00	54.00	3.20	10	1719520000
GWDR PG48-PO	PG 48	69.00	59.30	3.20	5	1719530000

Note Further versions on request

Flat gasket seals - Standard - Neoprene



Flat gasket seal to increase the degree of protection for cable glands and sealing plugs - recommended for use in Ex applications. The seal is also suitable as a replacement for O-rings.



Technical data

Material / Colour	Neoprene / RAL 9005
Temperature range	-30 °C...100 °C

Note

Ordering data

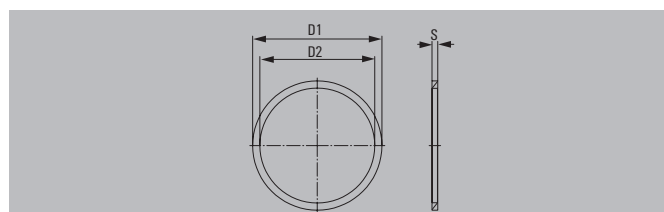
Typ	Thread	D1	D2	S	Qty.	Order No.
metric						
GWDR M12-NP	M 12 / 1.5	18.00	12.00	1.20	50	1913320000
GWDR M16-NP	M 16 / 1.5	22.00	16.00	1.20	50	1736230000
GWDR M20-NP	M 20 / 1.5	24.00	20.00	1.20	50	1736240000
GWDR M25-NP	M 25 / 1.5	30.00	25.00	1.50	50	1736250000
GWDR M32-NP	M 32 / 1.5	42.00	32.00	1.50	50	1736260000
GWDR M40-NP	M 40 / 1.5	52.00	40.00	1.50	20	1736270000
GWDR M50-NP	M 50 / 1.5	63.00	50.00	1.50	20	1736280000
GWDR M63-NP	M 63 / 1.5	77.00	63.00	2.00	10	1736290000
PG						
GWDR PG7-NP	PG 7	17.00	11.60	1.20	100	1719540000
GWDR PG9-NP	PG 9	21.00	14.00	1.20	100	1719550000
GWDR PG11-NP	PG 11	24.00	17.00	1.20	100	1719560000
GWDR PG13.5-NP	PG 13.5	27.00	19.50	1.20	100	1719570000
GWDR PG16-NP	PG 16	30.00	22.50	1.20	100	1719580000
GWDR PG21-NP	PG 21	35.00	28.30	1.50	100	1719590000
GWDR PG29-NP	PG 29	45.00	37.00	1.50	50	1719600000
GWDR PG36-NP	PG 36	60.00	47.00	1.50	20	1719610000
GWDR PG42-NP	PG 42	65.00	54.00	1.50	10	1719620000
GWDR PG48-NP	PG 48	71.00	59.30	1.50	5	1719630000

Note Further versions on request

Flat IP washer - Standard - Nylon



Flat nylon IP washer, used for sealing large surfaces, for example around cable glands on enclosures.



Technical data

Material / Colour	Nylon 6 / RAL 3020
Temperature range	-40 °C...135 °C

Note

Ordering data

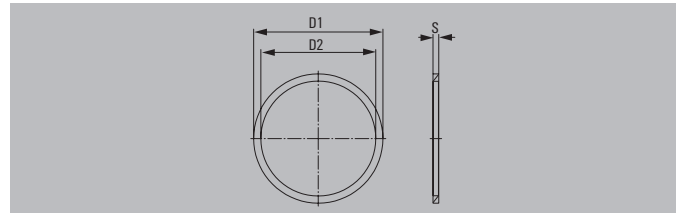
Typ metric	Thread	D1	D2	S	Qty.	Order No.
KSWN M16	M 16 / 1.5	25.00	16.50	2.00	25	1076630000
KSWN M20	M 20 / 1.5	29.40	20.70	2.00	25	0930730002
KSWN M25	M 25 / 1.5	38.10	25.70	2.00	25	1076640000
KSWN M32	M 32 / 1.5	42.50	32.50	2.00	25	1076650000
KSWN M40	M 40 / 1.5	52.00	40.50	2.00	25	0899780000
KSWN M50	M 50 / 1.5	65.00	50.50	2.00	25	0900660000
KSWN M63	M 63 / 1.5	79.40	63.50	2.00	25	1076660000
KSWN M75	M 75 / 1.5	90.50	75.50	2.00	25	1076670000

Note

Flat IP washer - Standard - Vulcanised fibre



Flat nylon IP washer made from vulcanised fibre, used for sealing large surfaces, for example around cable glands on enclosures.



Technical data

Material / Colour	Vulcanized fibre / RAL 3011
Temperature range	-40 °C...95 °C

Note

Ordering data

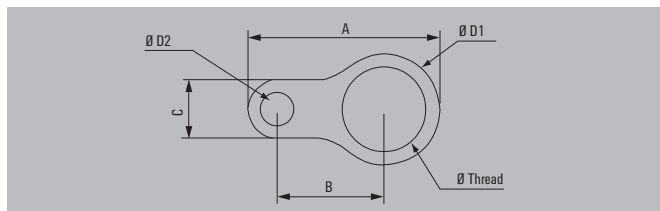
Typ metric	Thread	D1	D2	S	Qty.	Order No.
KSWF M16	M 16 / 1.5	25.00	16.50	2.00	25	1076680000
KSWF M20	M 20 / 1.5	29.40	20.70	2.00	25	0899750000
KSWF M25	M 25 / 1.5	38.10	25.70	2.00	25	0899770000
KSWF M32	M 32 / 1.5	42.50	32.50	2.00	25	1076690000
KSWF M40	M 40 / 1.5	52.00	40.50	2.00	25	1076710000
KSWF M50	M 50 / 1.5	65.00	50.50	2.00	25	1076720000
KSWF M63	M 63 / 1.5	79.40	63.50	2.00	25	1076730000
KSWF M75	M 75 / 1.5	90.50	75.50	2.00	25	1076740000
KSWF M90	M 90 / 1.5	114.30	90.50	2.00	25	1192820000

Note

Accessories - Earth tags - Brass - Nickel plated



Earth tags are best used when a cable shielding is being tightened onto the cable gland, and when it has the same potential as another cable gland on the enclosure.



Technical data

Material	Brass, nickel-plated
----------	----------------------

Note

Ordering data

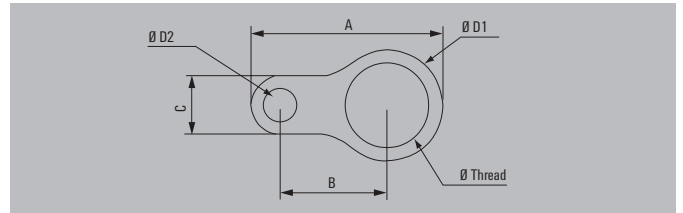
Typ metric	Thread	A	B	C	D1	D2	Qty.	Order No.
EA-RING MS/M 16	M 16 / 1.5	48.75	30.00	13.00	24.50	6.75	20	1736480000
EA-RING MS/M 20	M 20 / 1.5	53.8	33.00	13.00	28.60	7.00	20	1736490000
EA-RING MS/M 25	M 25 / 1.5	61.5	36.00	17.00	34.00	10.50	20	1736500000
EA-RING MS/M 32	M 32 / 1.5	73	41.00	22.00	42.00	12.20	20	1736510000
EA-RING MS/M 40	M 40 / 1.5	86.5	44.50	30.00	54.00	13.50	10	1736520000
EA-RING MS/M 50	M 50 / 1.5	111.5	58.00	40.00	67.00	13.50	10	1736530000
EA-RING MS/M 63	M 63 / 1.5	125.5	67.00	40.00	77.00	13.50	10	1736540000
EA-RING MS/M 75	M 75 / 1.5	137.5	73.00	40.00	89.00	13.50	10	1736550000

Note Further versions on request

Accessories - Earth tags - Brass - Natural



Earth tags are best used when a cable shielding is being tightened onto the cable gland, and when it has the same potential as another cable gland on the enclosure.



Technical data

Material	Brass
----------	-------

Note

Ordering data

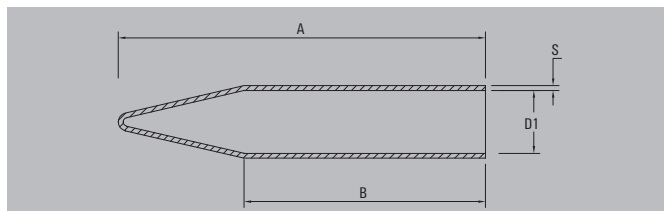
Typ metric	Thread	A	B	C	D1	D2	Qty.	Order No.
EA-RING MS/M16 SC	M 16 / 1.5	50.8	31.80	12.80	16.30	6.90	20	0930710001
EA-RING MS/M20 SC	M 20 / 1.5	54	33.00	12.80	21.80	6.90	20	0930710002
EA-RING MS/M25 SC	M 25 / 1.5	60.2	36.50	12.80	27.30	6.90	20	0930710003
EA-RING MS/M32 SC	M 32 / 1.5	74.6	42.50	22.30	33.80	11.80	20	0930710004
EA-RING MS/M40 SC	M 40 / 1.5	86.7	45.50	31.70	42.70	13.50	10	0930710005
EA-RING MS/M50 SC	M 50 / 1.5	111	58.10	41.30	50.70	13.50	10	0930710006
EA-RING MS/M63 SC	M 63 / 1.5	128.7	66.80	41.30	63.50	13.50	10	0930710007
EA-RING MS/M75 SC	M 75 / 1.5	141.3	73.00	41.30	76.30	13.50	10	0930710008

Note Other versions on request

Accessories - Shrouds - PVC



The cover shroud a cable gland before and after the installation. It also protects against external environmental influences.



Technical data

Material / Colour	PVC / RAL 9005
Temperature range	-25 °C...70 °C
Hardness [Shore A]	65

Note

Ordering data

Typ metric	A	B	D1	S	Qty.	Order No.
KSP L24	120	70.00	25.00	1.50	10	1736570000
KSP L30	110	55.00	30.00	1.50	10	1736580000
KSP L38	160	60.00	37.00	1.50	10	1736590000
KSP L46	160	60.00	46.00	1.50	10	1736600000
KSP L55	160	60.00	55.00	1.50	10	1736610000
KSP L65	210	70.00	65.00	1.50	10	1736620000
KSP L80	240	90.00	80.00	1.50	10	1736630000
KSP L90	240	90.00	90.00	1.50	10	1736640000
KSP EL30*	127.5	75.00	30.00	1.50	10	1736670000
KSP EL38*	168	80.00	38.00	1.50	10	1736680000
KSP EL46*	198	95.00	46.00	1.50	10	1076750000
KSP EL55*	210	105.00	55.00	1.50	10	1076760000
KSP EL65*	250	115.00	65.00	1.50	10	1076770000
KSP EL80*	270	115.00	80.00	2.00	10	1076780000
KSP EL90*	285	120.00	90.00	2.00	10	1076790000

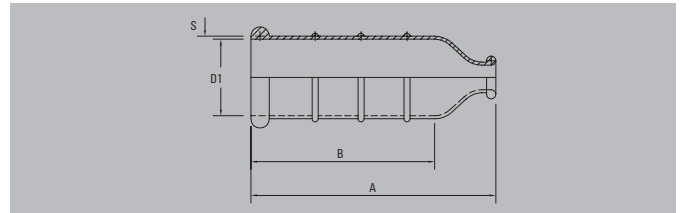
Note *These shrouds have been specially designed for the Klippon® KDSU and Klippon® KUB cable glands.

Accessories - Shrouds

Accessories - Shrouds - Silicone



The cover shroud a cable gland before and after the installation. It also protects against external environmental influences.



Technical data

Material / Colour	Silicone / RAL 5015
Temperature range	-60 °C...200 °C
Hardness [IRHD]	65

Note

Ordering data

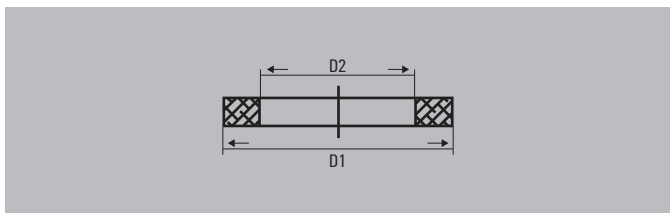
Typ metric	A	B	D1	S	Qty.	Order No.
KSP L24 S	80	60.00	25.00	1.50	10	0930700001
KSP L30 S	80	60.00	30.00	1.50	10	0930700002
KSP L38 S	85	65.00	37.00	1.50	10	0930700003
KSP L46 S	95	70.00	46.00	1.50	10	0930700004
KSP L55 S	95	70.00	55.00	1.50	10	0930700005
KSP L65 S	110	80.00	65.00	1.50	10	0930700006
KSP L80 S	120	90.00	80.00	1.50	10	0930700007
KSP L90 S	140	110.00	90.00	1.50	10	0930700008
KSP L 104 S	160	130.00	104.00	1.50	10	1193940000
KSP L114 S	180	150.00	114.00	1.50	10	1192790000

Note

Accessories - Serrated washers, Stainless steel



Serrated stainless steel washers to prevent mounted cable glands from loosening.



Technical data

Material	Stainless steel 1.4404 (316L)
----------	-------------------------------

Note

Ordering data

Typ metric	Thread	D1	D2	Qty.	Order No.
SZS M16	M 16 / 1.5	25.50	17.30	50	1736300000
SZS M20	M 20 / 1.5	32.40	21.30	10	1736310000
SZS M25	M 25 / 1.5	37.40	25.30	10	1736320000
SZS M32	M 32 / 1.5	48.00	33.00	20	1736330000
SZS M40	M 40 / 1.5	60.00	41.00	5	1736340000
SZS M50	M 50 / 1.5	71.00	51.00	5	1736350000
SZS M63	M 63 / 1.5	87.00	64.00	5	1736360000

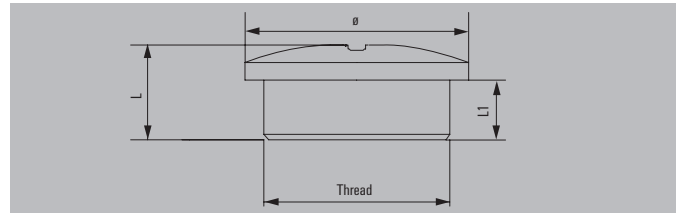
Note

Sealing plugs

Sealing plugs - Plastic



Plastic sealing plug with cross-head is used to seal surplus threaded holes and to maintain the IP protection degree.



Technical data

Material / Colour	Polyamid 6 (PA6 - GF30) / RAL 7035
Temperature range	-40 °C...100 °C
Protection degree	IP 54
Flammability rating	V-2

Note Optional sealing ring

Ordering data

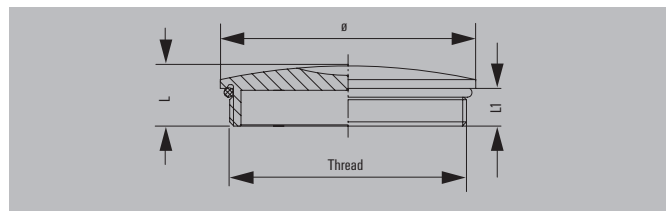
Typ metric	Thread	L	L1	Head Ø	Qty.	Order No.
VP M12 K54	M 12 / 1.5	5.5	6	15.00	100	1776930000
VP M16 K54	M 16 / 1.5	5.5	7	20.00	100	1776920000
VP M20 K54	M 20 / 1.5	6.5	7	24.00	100	1776910000
VP M25 K54	M 25 / 1.5	7	10	30.00	100	1776900000
VP M32 K54	M 32 / 1.5	7	11	37.00	100	1776940000
VP M40 K54	M 40 / 1.5	7	13	46.00	50	1776950000
VP M50 K54	M 50 / 1.5	8.5	14	56.00	25	1776960000
VP M63 K54	M 63 / 1.5	8.5	15	69.50	50	1776970000
PG						
VP 7-K54	PG 7	8	6	15.00	50	1719250000
VP 9-K54	PG 9	9.5	5	19.00	100	0294760000
VP 11-K54	PG 11	10	6.5	22.00	100	0294860000
VP 13.5-K54	PG 13.5	10	5	25.00	100	0294960000
VP 16-K54	PG 16	10	5	27.00	100	0295060000
VP 21-K54	PG 21	12	8	33.00	100	0295160000
VP 29-K54	PG 29	11.5	8	44.00	50	0501160000
VP 36-K54	PG 36	14	10	55.00	25	0501260000
VP 42-K54	PG 42	14	10	62.00	10	0501360000
VP 48-K54	PG 48	16	12	69.00	5	1719260000

Note Other versions available on request. The sealing plugs must be tightened „hand-tight“ with the screwdriver.

Sealing plugs - Brass - Nickel-plated



Brass sealing plug with cross-head is used to seal surplus threaded holes and to maintain the IP protection degree.



Technical data

Material	Brass, nickel-plated
O-Ring	NBR
Temperature range	-40 °C...100 °C
Protection degree	IP 68

Note

Ordering data

Typ	Thread	L	L1	Head Ø	Qty.	Order No.
metric						
VP M12-MS65	M 12 / 1.5	5	5	14.00	100	1777720000
VP M16-MS65	M 16 / 1.5	8	5	18.00	100	1777730000
VP M20-MS65	M 20 / 1.5	9.5	6.5	22.00	100	1777740000
VP M25-MS65	M 25 / 1.5	11	7	28.00	100	1777750000
VP M32-MS65	M 32 / 1.5	12	8	35.00	50	1777760000
VP M40-MS65	M 40 / 1.5	13	8	44.00	50	1777770000
VP M50-MS65	M 50 / 1.5	15	9	54.00	25	1777780000
VP M63-MS65	M 63 / 1.5	16	10	67.00	10	1777790000
PG						
VP 7-MS65	PG 7	7.5	5	15.00	100	0521600000
VP 9-MS65	PG 9	8	5	18.00	100	0294700000
VP 11-MS65	PG 11	8	5	22.00	100	0294800000
VP 13.5-MS65	PG 13.5	9	6	24.00	100	0294900000
VP 16-MS65	PG 16	9	6	26.00	100	0295000000
VP 21-MS65	PG 21	10	6	32.00	100	0295100000
VP 29-MS65	PG 29	12	8	40.00	50	0501100000
VP 36-MS65	PG 36	15	9	50.00	25	0501200000
VP 42-MS65	PG 42	16	10	57.00	10	0501300000
VP 48-MS65	PG 48	16	10	64.00	5	1719270000

Note

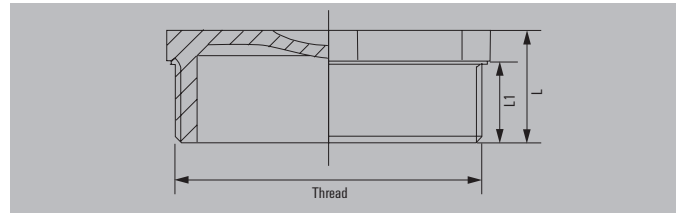
Other versions available on request. The sealing plugs must be tightened „hand-tight“ with the screwdriver.

Sealing plugs

Sealing plugs - Plastic - Ex e



Sealing plug with cross-head is used to seal surplus threaded holes and to maintain the IP protection degree – especially for Ex-e Ex applications.



Technical data

Material / Colour	Polyamide / RAL 9005
Temperature range	-20 °C...80 °C
Protection degree	IP 66
Protection degree with GWDR	IP 68
UL 94 flammability rating	V-2
Approval	II 2 GD, Ex d IIC, Ex e II, Ex tD

Note Optional sealing ring

Ordering data

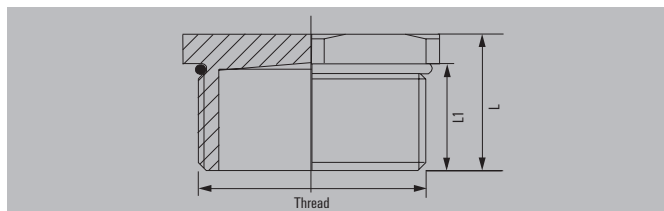
Typ metric	Thread	L	L1	SW	Qty.	Order No.
VP M16-EXE SW	M 16 / 1.5	19	15	19	50	1737070000
VP M20-EXE SW	M 20 / 1.5	19	15	23	50	1737080000
VP M25-EXE SW	M 25 / 1.5	20	15	28	100	1737090000
VP M32-EXE SW	M 32 / 1.5	20.5	15	36	20	1737100000
VP M40-EXE SW	M 40 / 1.5	20.5	15	44	10	1737110000
VP M50-EXE SW	M 50 / 1.5	21	15	54	5	1737120000
VP M63-EXE SW	M 63 / 1.5	23.5	15	67	5	1737130000

Note Refer to the enclosed installation instructions for the tightening torque.

Sealing plugs - Brass - Ex e, Ex d



Sealing plug is used for sealing surplus threaded holes to ensure the IP protection degree - especially for Ex-e and Ex-d applications.



Technical data

Material	Brass, nickel-plated
O-Ring	NBR
Temperature range	-40 °C...100 °C
Protection degree	IP 68
Approval	II 2 GD, Ex d IIC, Ex e II, Ex tD

Note

Ordering data

Typ metric	Thread	L	L1	SW	Qty.	Order No.
VP M16 EXE MS	M 16 / 1.5	15	12	17	50	1210890000
VP M20 EXE MS	M 20 / 1.5	15	12	23	50	1210900000
VP M25 EXE MS	M 25 / 1.5	15.5	12	29	25	1210910000
VP M32 EXE MS	M 32 / 1.5	16	12	39	10	1210920000
VP M40 EXE MS	M 40 / 1.5	19	15	45	10	1210930000
VP M50 EXE MS	M 50 / 1.5	20	15	58	5	1210940000
VP M63 EXE MS	M 63 / 1.5	26	19	70	5	1210950000

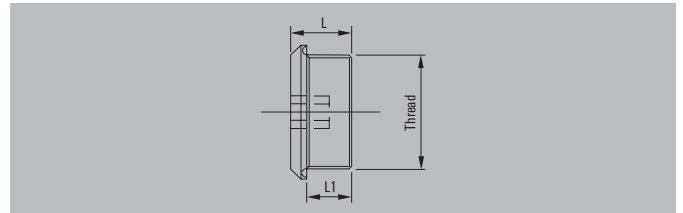
Note Refer to the enclosed installation instructions for the tightening torque.

Sealing plugs

Sealing plugs - Brass - Ex e, Ex d, IP 54



Sealing plug with accessible hexagon recess. It is used to seal unused threaded holes so that cable glands can be connected in the future. Approved for use with the pressure-resistant Ex d encapsulation.



Technical data

Material	Brass, nickel-plated
Temperature range	-50 °C...180 °C
Protection degree	IP 54
Approval	ATEX I M2 II 2 GD Ex d I/IIC Mb Gb Ex tb IIIDb IP6X, IECEx Ex d I/IIC & Ex e I/IIC MbGb Ex tb IIC Db IP6X

Note

Ordering data

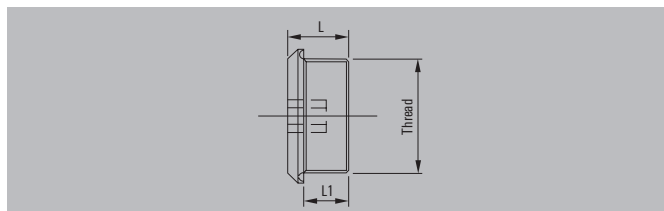
Typ metric	Thread	L1	Qty.	Order No.
KSPA M16 BNI	M 16	16	20	0887490000
KSPA M20 BNI	M 20	16	20	0886670000
KSPA M25 BNI	M 25	16	20	0886680000
KSPA M32 BNI	M 32	16	10	0886690000
KSPA M40 BNI	M 40	16	10	0886700000
KSPA M50 BNI	M 50	16	1	0886710000
KSPA M63 BNI	M 63	16	1	1075370000
KSPA M75 BNI	M 75	16	1	1075380000

Note

Sealing plugs - Brass and Stainless steel - Ex e, Ex d, IP 66 / IP 68



Dome head sealing plug with accessible hexagon recess. It is used to seal unused threaded holes so that cable glands can be connected in the future. Available in brass and stainless steel. Approved for use with the pressure-resistant Ex d encapsulation and increased safety Ex e.



Technical data

O-Ring	NBR
Temperature range	-30 °C...100 °C
Protection degree	IP 66, IP 68
Approval	ATEX I M2 II 2 GD Ex d/IIC Mb Gb Ex e I/IIC Mb Gb Ex tb IIC Db IP6X, IECEx Ex d I/IIC & Ex e I/IIC MbGb Ex tb IIC Db IP6X

Note

Ordering data

Typ	Thread	L	L1	Qty.	Order No.
Stainless steel					
KSPM M16 SSC	M 16	21.5	16	20	088750000
KSPM M20 SSC	M 20	21.5	16	20	088672000
KSPM M25 SSC	M 25	21.5	16	20	088673000
KSPM M32 SSC	M 32	21.5	16	10	088674000
KSPM M40 SSC	M 40	21.5	16	10	088675000
KSPM M50 SSC	M 50	21.5	16	1	107551000
KSPM M63 SSC	M 63	21.5	16	1	107552000
KSPM M75 SSC	M 75	21.5	16	1	107553000
brass					
KSPM M16 BSC	M 16	21.5	16	20	088748000
KSPM M20 BSC	M 20	21.5	16	20	088541000
KSPM M25 BSC	M 25	21.5	16	20	088542000
KSPM M32 BSC	M 32	21.5	16	10	088543000
KSPM M40 BSC	M 40	21.5	16	10	088544000
KSPM M50 BSC	M 50	21.5	16	1	088545000
KSPM M63 BSC	M 63	21.5	16	1	107548000
KSPM M75 BSC	M 75	21.5	16	1	107549000

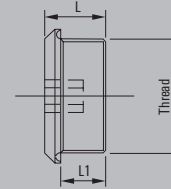
Note

Sealing plugs

Sealing plugs - Plastic - Ex e, IP 66



Sealing plugs with accessible hexagon recess, made from glass-fibre-reinforced nylon. They are used to seal unused threaded holes so that cable glands can be connected in the future - also recommended for Ex applications.



Technical data

Material	Nylon
O-Ring	NBR
Temperature range	-20 °C...40 °C
Protection degree	IP 66
Approval	II 2 GD, Ex e IIC Gb, Ex tb IIIC Db, IP6X

Note

Ordering data

Typ metric	Thread	L	L1	Qty.	Order No.
KSPM M16 PL	M 16 / 1.5	21.5	16	20	1209890000
KSPM M20 PL	M 20 / 1.5	21.5	16	20	1209910000
KSPM M25 PL	M 25 / 1.5	21.5	16	20	1209920000
KSPM M32 PL	M 32 / 1.5	21.5	16	10	1209930000
KSPM M40 PL	M 40 / 1.5	21.5	16	10	1209940000
KSPM M50 PL	M 50 / 1.5	21.5	16	1	1209950000

Note

Adaptors with NPT male threads



Adaptors can be used to connect threaded holes and cable glands of different thread sizes and types.

Technical data

Material	Brass, nickel-plated
Temperature range	-40 °C...100 °C
Protection degree	IP 54
Approval	II 2 GD, Ex d IIC, Ex e II, Ex tD

Ordering data

External thread	1/2" NPT	3/4" NPT	1" NPT	1 1/4" NPT	1 1/2" NPT	2" NPT	2 1/2" NPT	3" NPT
Inner thread	Order No.	Order No.	Order No.	Order No.	Order No.	Order No.	Order No.	Order No.
M16	1737490000					1737440000	1737430000	1737420000
M20	1737650000	1737640000	1737630000			1737600000	1737590000	1737580000
M25	1737810000	1737800000	1737790000			1737760000	1737750000	1737740000
M32		1737950000				1737910000	1737900000	1737890000
M40			1738070000			1738040000	1738030000	1738020000
M50						1738150000	1738140000	1738130000
M63						1738240000	1738230000	1738220000
M75						1738310000	1738300000	1738290000
1/2" NPT	1738410000	1738400000	1738390000	1738380000	1738370000	1738360000	1738350000	1738340000
3/4" NPT	1738570000	1738560000	1738550000	1738540000	1738530000	1738520000	1738510000	1738500000
1" NPT			1738700000	1738690000	1738680000	1738670000	1738660000	1738650000
1 1/4" NPT			1738820000	1738810000	1738800000	1738790000	1738780000	1738770000
1 1/2" NPT				1738920000	1738910000	1738900000	1738890000	1738880000
2" NPT						1738990000	1738980000	1738970000
2 1/2" NPT						1739060000	1739050000	1739040000
3" NPT							1739100000	1739090000

Note Qty. = 1

Adaptors

Adaptors with metric male threads



Adaptors can be used to connect threaded holes and cable glands of different thread sizes and types.

Technical data

Material	Brass, nickel-plated
Temperature range	-40 °C...100 °C
Protection degree	IP 54
Approval	II 2 GD, Ex d IIC, Ex e II, Ex tD

Ordering data

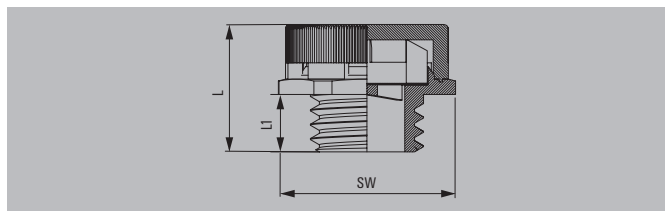
External thread	M 16	M 20	M 25	M 32	M 40	M 50	M 63	M 75
Inner thread	Order No.	Order No.	Order No.	Order No.	Order No.	Order No.	Order No.	Order No.
M16		1737560000	1737550000	1737540000	1737530000	1737520000	1737510000	1737500000
M20	1737730000	1737720000	1737710000	1737700000	1737690000	1737680000	1737670000	1737660000
M25		1737880000		1737860000	1737850000	1737840000	1737830000	1737820000
M32			1738010000		1737990000	1737980000	1737970000	1737960000
M40				1738120000	1738110000	1738100000	1738090000	1738080000
M50					1738210000		1738190000	1738180000
M75						1738280000	1738330000	1738260000
1/2" NPT		1738480000		1738460000	1738450000	1738440000	1738430000	1738420000
3/4" NPT		1738640000	1738630000		1738610000	1738600000	1738590000	1738580000
1" NPT			1738760000	1738750000	1738740000	1738730000	1738720000	1738710000
1 1/4" NPT				1738870000		1738850000	1738840000	1738830000
1 1/2" NPT							1738940000	1738930000
2" NPT								1739010000
2 1/2" NPT							1739080000	1739070000
3" NPT								1739110000

Note Qty. - 1

Compensation elements - Plastic - DAE



The DAE pressure-compensation element provides good ventilation for the enclosure and prevents moisture build-up. At the same time it maintains the high IP 69k protection level. The membrane repels water and oil.



Technical data

Material / Colour	Polyamide 6 / RAL 9005
O-Ring	NBR
Temperature range	-40 °C...105 °C
Protection degree	IP 66, IP 68, IP 69K
Air flow	0.8 l/min at 0.1 bar ΔP, up to 7.6 l/min at 1bar ΔP
Wasser inlet point	> 1.5 bar
UL 94 flammability rating	V-2

Note

Ordering data

Typ	Thread	L	L1	SW	Qty.	Order No.
metric						
DAE M12 PA long	M 12 / 1.5	17.4	10	17	10	1868570000
DAE M12 PA short	M 12 / 1.5	13.4	6	17	10	1868560000

Note

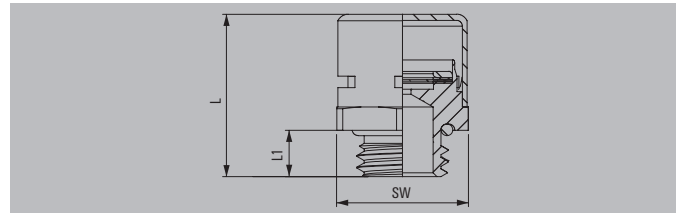
Light grey version - RAL 7035 - on request

Compensating elements

Compensation elements - Stainless steel - DAE



The DAE pressure-compensation element provides good ventilation for the enclosure and prevents moisture build-up. At the same time it maintains the high IP 69k protection level. The membrane repels water and oil.



Technical data

Material	Stainless steel
O-Ring	NBR
Temperature range	-40 °C...105 °C
Protection degree	IP 66, IP 68, IP 69K
Air flow	0.8 l/min at 0.1 bar ΔP , up to 7.6 l/min at 1bar ΔP
Wasser inlet point	> 1.5 bar

Note

Ordering data

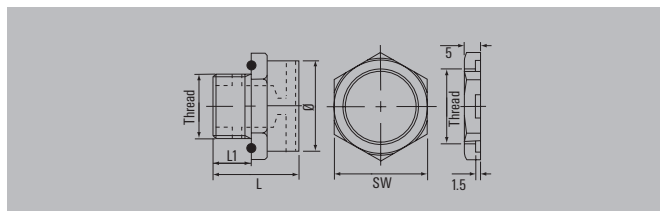
Typ metric	Thread	L	L1	SW	Qty.	Order No.
DAE M12 SS	M 12 / 1.5	21.1	10	17	10	1868550000

Note

Compensation elements - BD 1



The BD1 compensation element can be used for enclosure ventilation and to prevent moisture build-up. It is specially designed for Ex applications.



Technical data

O-Ring	NBR
Temperature range	-30 °C...85 °C
Protection degree	IP 66
Filter	HDPE insert
Approval	Ex e II, II 2 GD

Note

Ordering data

Typ	Thread	L	L1	SW	Qty.	Order No.
metric, brass						
BD 1 brass	M 20 / 1.5	25	10	29	1	3080760000
metric, stainless steel 1.4404 316L						
BD 1 ss	M 20 / 1.5	25	10	29	1	3080770000

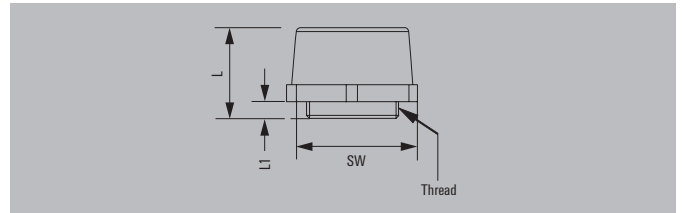
Note

Compensating elements

Compensation elements - EWS



We recommend using the EWS drainage plug in order to drain moisture out of the enclosure. This component is not suitable for providing ventilation to the enclosure.



Technical data

Material / Colour	Polyamide / RAL 9005
Temperature range	-20 °C...40 °C
Protection degree	IP 54
Flammability rating	V-2
Approval	Ex e II, II 2 GD

Note Installed at the lowest point from the bottom in the wall of the enclosure
Minimum enclosure wall thickness of 4 mm must be maintained.

Ordering data

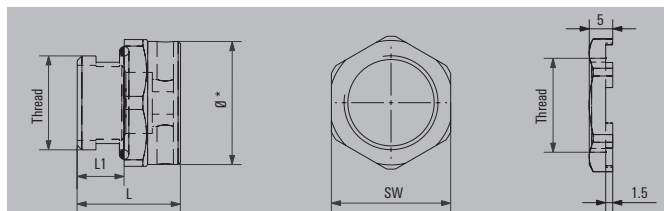
Typ metric	Thread	L	L1	SW	Qty.	Order No.
EWS M 25X1.5	M 25 / 1.5	23	5	30	20	1719740000

Note

Breather drains – Klippon® BDx



The BDx compensating element is used for ventilating the enclosure and preventing a build up of moisture, particularly in Ex applications.



Technical data

Material	Stainless steel 1.4404 (316L) or brass CuZnPb (CZ121)
IP class	IP 66
Impact resistance	20 J
Filter	sintered bronze
Flow rate	0.25 Litres per hour
Sealing ring	silicone O-ring
Temperature range	-60 °C to +200 °C
Plating	natural
Torque	10 Nm

Note

- The breather-drain is only to be fitted on the bottom side of the enclosure, aligned vertically with the thread upwards, and at the lowest point to permit proper drainage.
- Fully assembly instructions are supplied with the breather drain. The instructions must be read prior to installation and adhered to in full.
- The water flow rate has been tested by a water filled empty enclosure (no pressure or heat producing internal components). The water flow rate can slightly differ by influences from operational parameter and environmental conditions.

Ordering data

Type	Material	Thread	L/L1	SW	Diameter Ø*	Order No.
KLIPPON BDx M20 B	brass	M20 x 1.5	22/10	27	26.2	1292540000
KLIPPON BDx M20 S	stainless steel	M20 x 1.5	22/10	27	26.2	1292530000
KLIPPON BDx M20X15 S	stainless steel	M20 x 1.5	27/15	27	26.2	1344630000
Note	Dimensions in mm					

Cable entry system

Cable entry system	Cable entry system	D.2
	Cable grommets	D.3
	Cable entry strips and panels	D.4
	Strain-relief strips	D.9
	Separable cable gland	D.10

Cable entry system

Would you prefer to connect a pre-assembled cable to an installation enclosure or cabinet, or install it later, without having to dismantle the plug or cut it from the cable? If so, you can save time and money by using our modular Cabtite cable entry system. These systems are a combination of splittable cable entry strips or cable glands connected with clamping grommets.

The use of split, captive grommets allows different diameters to be fed into the enclosure whilst simultaneously guaranteeing IP 54 protection and strain relief. Thanks to the fact that they have the same design and dimensions, the modular components and grommets can be used in cable entry strips as well as in cable glands. The system is found particularly in measurement, power, computer lines or field bus systems in the areas of:

- Control engineering
- Switchgear cabinet manufacture
- Motor vehicle manufacture
- Systems engineering
- Mechanical engineering
- Electrical installation

Cabtite KEL SNAP frame

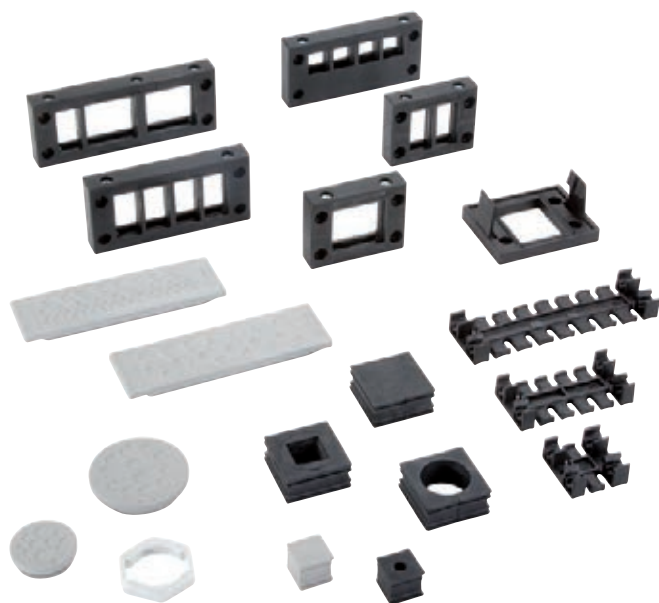


Separable cable gland Cabtite KVT



Cabtite sample set

Get a feel for the Cabtite system with our Cabtite sample set. It contains cable entry frames, snap frames, separable cable glands as well as diverse cable grommets.



Ordering data

Type	Qty.	Order No.
Cabtite Sample Kit	1	1849780000

HDC KT - Cable grommets, small



Cable grommets for ASI cables

HDC KT - Cable grommets, large



Blanking plugs

Adapter grommet

Technical data

Material, grey	Elastomers, free from halogens and silicone
Material, black	Elastomers with very high chemical resistance
Temperature range, grey	-40 °C to +90 °C (static)
Temperature range, black	-30 °C to +90 °C (static)
UL 94 flammability rating	V0 grey, HB black

Technical data

Material, grey	Elastomers, free from halogens and silicone
Material, black	Elastomers with very high chemical resistance
Temperature range, grey	-40 °C to +90 °C (static)
Temperature range, black	-30 °C to +90 °C (static)
UL 94 flammability rating	V0 grey, HB black

Ordering data

Type	Clamping range [mm]	Qty.	Order No. grey	Order No. black
HDC KT 3	3-4	10	1826460000	1827790000
HDC KT 4	4-5	10	1826470000	1827800000
HDC KT 5	5-6	10	1826480000	1827810000
HDC KT 6	6-7	10	1826490000	1827830000
HDC KT 7	7-8	10	1826500000	1827840000
HDC KT 8	8-9	10	1826510000	1827850000
HDC KT 9	9-10	10	1826520000	1827860000
HDC KT 10	10-11	10	1826530000	1827870000
HDC KT 11	11-12	10	1826540000	1827880000
HDC KT 12	12-13	10	1826550000	1827890000
HDC KT 13	13-14	10	1826560000	1827900000
HDC KT 14	14-15	10	1826570000	1827910000
HDC KT 15	15-16	10	1826580000	1827920000
HDC KTS 16	16-17	10	1826590000	1827930000
HDC KTS 17	17-18	10	1826600000	1827940000
for ASI cables				
HDC KT-ASI		10	1826610000	1828120000
2 or 4 openings				
HDC KT 2/4	2 x 4	10	1826620000	1828130000
HDC KT 2/5	2 x 5	10	1826630000	1828140000
HDC KT 2/6	2 x 6	10	1826640000	1828150000
HDC KT 4/5	4 x 5	10	1826650000	1828160000
Blanking plugs, small				
HDC BTK		10	1828170000	1828200000

Ordering data

Type	Clamping range [mm]	Qty.	Order No. grey	Order No. black
HDC KT 16	16-17	10	1825950000	1827950000
HDC KT 17	17-18	10	1826300000	1827960000
HDC KT 18	18-19	10	1826310000	1827970000
HDC KT 19	19-20	10	1826320000	1827980000
HDC KT 20	20-21	10	1826330000	1827990000
HDC KT 21	21-22	10	1826340000	1828000000
HDC KT 22	22-23	10	1826350000	1828010000
HDC KT 23	23-24	10	1826360000	1828020000
HDC KT 24	24-25	10	1826370000	1828030000
HDC KT 25	25-26	10	1826380000	1828040000
HDC KT 26	26-27	10	1826390000	1828050000
HDC KT 27	27-28	10	1826400000	1828060000
HDC KT 28	28-29	10	1826410000	1828070000
HDC KT 29	29-30	10	1826420000	1828080000
HDC KT 30	31-32	10	1826430000	1828090000
HDC KT 32	32-33	10	1826440000	1828100000
HDC KT 34	33-34	10	1826450000	1828110000
Adapter grommet, large (for small cable grommets)				
HDC ATG		10	1828190000	1828220000
Blanking plugs, large				
HDC BTG		10	1828180000	1828210000

Cabtite KEL

Cabtite KEL

The rectangular panel cutout frames fit exactly into the standard cutout for heavy-duty connectors. This makes it possible to accommodate up to 40 connectors in a very confined space.

- Feeds through prefabricated wiring in confined spaces.
- Two-piece, two-tier system
- Fast and easy mounting
- Standard panel cutout frames for 16 and 24 pole industrial plug-in connectors
- The predefined gap achieves a minimum class of protection of IP 54
- Large numbers of cables in very confined spaces
- Retrofitting of prefabricated wiring also possible
- The manufacturer's guarantee covering the prefabricated cables remains valid
- Integral strain relief to VDE 0619
- Locknuts ensure that working "overhead" is safe and simple

Cabtite KEL SNAP frame

Snap frame for mounting the cable entry frame in the switchgear cabinet.

- The KEL can be fitted quickly without tools
- The KEL need not be fitted or removed to add or remove individual cables
- The drilling pattern is identical with that of the KEL
- Seals are already integrated on both sides
- Switchgear cabinets can be fitted with KEL SNAP in advance
- KEL Snap is available for KEL 16, KEL 24 and KEL B4.

Cabtite KEL-DP

The Cabtite KEL-DP feed-through plate system offers an affordable alternative to standard cable glands. It is ideal when multiple cables must be connected within an installation enclosure and when IP 54 protection is adequate. Weidmüller offers this system with round and rectangular entry plates. The entry plates are simply pressed into the standard cut-outs. The position of the system is centred by means of integrated spring-loaded pins.

The advantages of this system are clear:

- High packing density
- Affordable
- Simple, tool free installation in seconds
- Very low profile

Operating mode

1. The grommet is fitted around the cable.

Important:

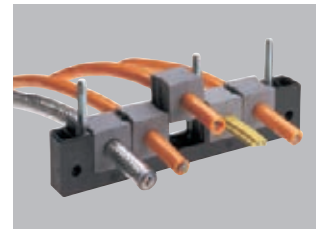
Choose an appropriately sized grommet for the diameter of the cable!



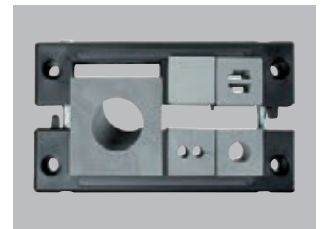
2. Press the grommet with the cable into the open cable entry frame..

Important:

The flat side of the grommet must face upwards!



3. Assemble the two halves of the cable entry frame using the M5x50 Allen screws supplied. This achieves integral strain relief in accordance with VDE 0619 (VDE = German Association for Electrical, Electronic and Information Technologies).



4. Finally, the rubber seal is glued around the cabinet panel cutout and the cable entry frame is secured with 4 screws. The cable entry is now complete, and has a protection class of IP 54!



Advantage: The panel cutout frames are the same as those used for heavy-duty connectors. They are supplied by the switchgear cabinet manufacturers. You do not require a new punching die!



HDC KEL 16

Size equivalent to 16-pole HE inserts

KEL 16/8 with 8 small grommets



KEL 16/4 closed half-shell and 4 small grommets



Snap frame
KEL 16 SNAP



HDC KEL 24

Size equivalent to 24-pole HE inserts

KEL 24/10 with 10 small grommets



KEL 24/7 with 1 large and 6 small grommets



Snap frame
KEL 24 SNAP



Technical data

Material	Polyamide, free from halogens and silicone
Colour	black
Temperatur range	-40 °C to +140 °C (static)
Class of protection	IP 54, when the correct cable grommet is selected
UL 94 flammability rating	V0

Technical data

Material	Polyamide, free from halogens and silicone
Colour	black
Temperatur range	-40 °C to +140 °C (static)
Class of protection	IP 54, when the correct cable grommet is selected
UL 94 flammability rating	V0

Ordering data

Type	Number of grommet positions		Qty.	Order No.
	small	large		
HDC KEL 16/2	-	2	10	1825860000
HDC KEL 16/4	4	- *)	10	1825900000
HDC KEL 16/5	4	1	10	1849700000
HDC KEL 16/8	8	-	10	1825910000
Snap frame				
HDC KEL 16 SNAP			10	1827700000

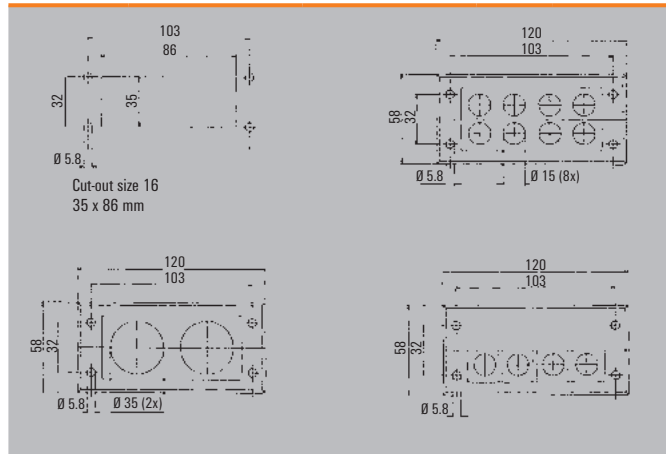
*) with closed half shell

Ordering data

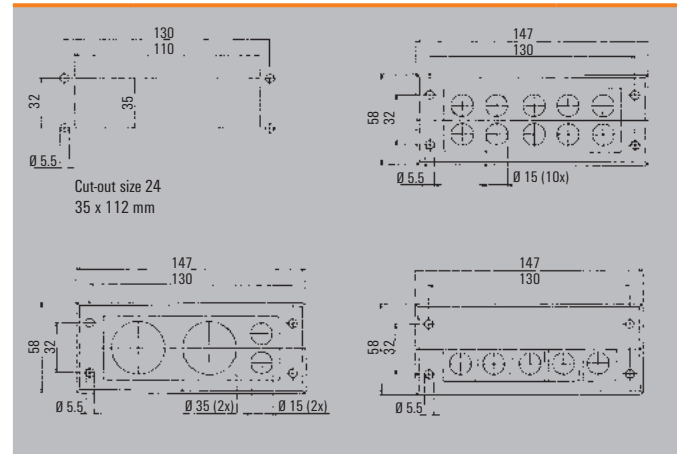
Type	Number of grommet positions		Qty.	Order No.
	small	large		
HDC KEL 24/4	2	2	10	1825930000
HDC KEL 24/5	5	- *)	10	1825940000
HDC KEL 24/7	6	1	10	1849760000
HDC KEL 24/10	10	-	10	1827760000
Snap frame				
HDC KEL 24 SNAP			10	1827780000

*) with closed half shell

Dimensions



Dimensions



HDC KEL B

KEL B 1 with 1 large grommet



KEL B 4 with 4 small grommets



Snap frame KEL-SNAP B4



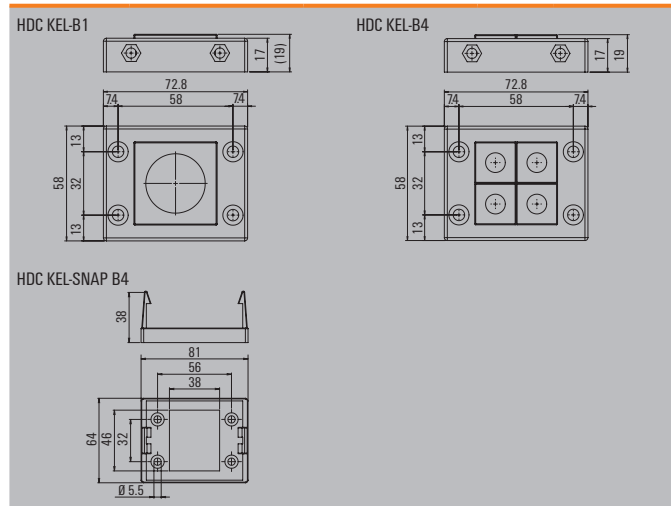
Technical data

Material	Polyamide, free from halogens and silicone
Colour	black
Temperatur range	-40 °C to +140 °C (static)
Class of protection	IP 54, when the correct cable grommet is selected
UL 94 flammability rating	V0

Ordering data

Type	Number of grommet positions		Qty.	Order No.
	small	large		
HDC KEL-B1	-	1	10	1048170000
HDC KEL-B4	4	-	10	1048180000
Snap frame				
HDC KEL-SNAP B4			10	1048190000

Dimensions



HDC KEL DP - Rectangular version

Rectangular cable entry plates (112 x 36 mm)

CABTITE KEL-DP 24/14



CABTITE KEL-DP 24/17



CABTITE KEL-DP 24/19



CABTITE KEL-DP 24/26



CABTITE KEL-DP 24/48



CABTITE KEL-DP 24/50



Technical data

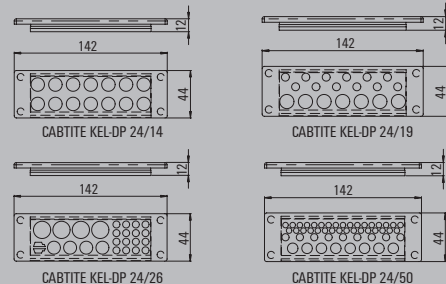
Material	Elastomers, free from halogens and silicone
Colour	grey
Temperatur range	-40 °C to +90 °C (static)
Class of protection	IP 64
UL 94 flammability rating	VO

Ordering data

Rectangular version (112 x 36 mm)			
Type	Number of lines with maximum diameter (in mm)	Qty.	Order No.
CABTITE KEL-DP 24/14	14 x max. 12.1 mm	1	1039850000
CABTITE KEL-DP 24/17	12 x max. 12.6 mm 5 x max. 10.5 mm	1	1039870000
CABTITE KEL-DP 24/19	7 x max. 12.1 mm 12 x max. 6.5 mm	1	1039890000
CABTITE KEL-DP 24/26	2 x ASI cables 16 x max. 6.5 mm 4 x max. 12.1 mm 4 x max. 16.1 mm	1	1039930000
CABTITE KEL-DP 24/48	48 x max. 6.5 mm	1	1039940000
CABTITE KEL-DP 24/50	33 x max. 5.3 mm 9 x max. 6.4 mm 8 x max. 8.3 mm	1	1039950000

Dimensions

Cut-out size KEL-DP 24
112 x 36 mm
1.5 - 4.0 mm sheet thickness



HDC KEL DP - Round version

Round cable entry plates

CABTITE KEL-DP 32/10



CABTITE KEL-DP 50/9



CABTITE KEL-DP 50/12



CABTITE KEL-DP 50/16



CABTITE KEL-DP 50/18



CABTITE KEL-DP 50/20



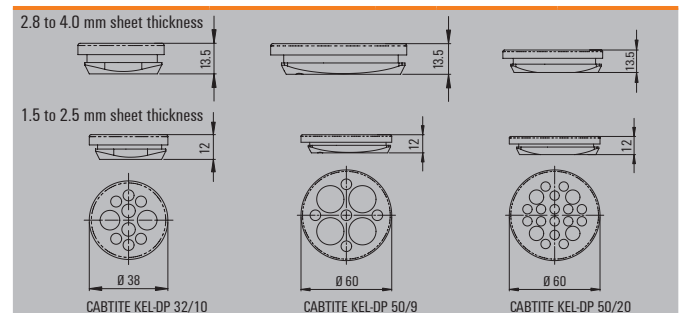
Technical data

Material	Elastomers, free from halogens and silicone
Colour	grey
Temperatur range	-40 °C to +90 °C (static)
Class of protection	IP 65
UL 94 flammability rating	VO

Ordering data

Round version				
Type	Number of lines with maximum diameter (in mm)	Qty.	Order No. for sheet thickness of 1.5-2.5 mm	Order No. for sheet thickness of 2.8-4.0 mm
CABTITE KEL-DP 32/10	6 x max. 5.2 mm 2 x max. 6.4 mm 2 x max. 9.4 mm	1	1040120000	1040310000
CABTITE KEL-DP 50/9	5 x max. 7.0 mm 4 x max. 18.0 mm	1	1040130000	1040320000
CABTITE KEL-DP 50/12	10 x max. 9.2 mm 2 x max. 11.2 mm	1	1040160000	1040330000
CABTITE KEL-DP 50/16	4 x max. 5.3 mm 5 x max. 6.3 mm 3 x max. 9.5 mm 4 x max. 11.3 mm	1	1040180000	1040350000
CABTITE KEL-DP 50/18	5 x max. 11.5 mm 5 x max. 9.0 mm 4 x max. 6.5 mm 2 x max. 5.5 mm 2 x max. 4.0 mm	1	1040210000	1040360000
CABTITE KEL-DP 50/20	16 x max. 6.3 mm 4 x max. 9.3 mm	1	1040240000	1040370000

Dimensions



Cable entry strips and panels

Cable clamping rail Cabtite KEL-EMV

Provides electromagnetic protection for prefabricated cable without interrupting shielding.

Advantages:



- Direct, simple and quick contact with the enclosure
- Two-tier version saves space with up to 10 cables
- Strain relief without cable ties in accordance with VDE 0619
- No EMC cable glands necessary for mains-generated interference sources
- Low-impedance shielding contact
- Seals using outer sheath and not the shield = higher class of protection!
- Trouble-free retrofitting



Technical data

Material	Stainless steel
----------	-----------------

Ordering data

Type	for	Qty.	Order No.
 HDC KEL EMV 16/4	KEL 16	10	1825750000
 HDC KEL EMV 24/5	KEL 24	10	1825760000

Strain-relief strips

The Cabtite KZL strain-relief strips are used when routing various types of cables to machines and electrical cabinets. A secure grip is ensured by the undercut on the comb-shaped profile. Cable ties provide strain relief for the cables. Undercuts in the teeth of the KZL prevent the cable tie from slipping out.

HDC KZL

CABTITE KZL 140



CABTITE KZL 80



CABTITE KZL 39



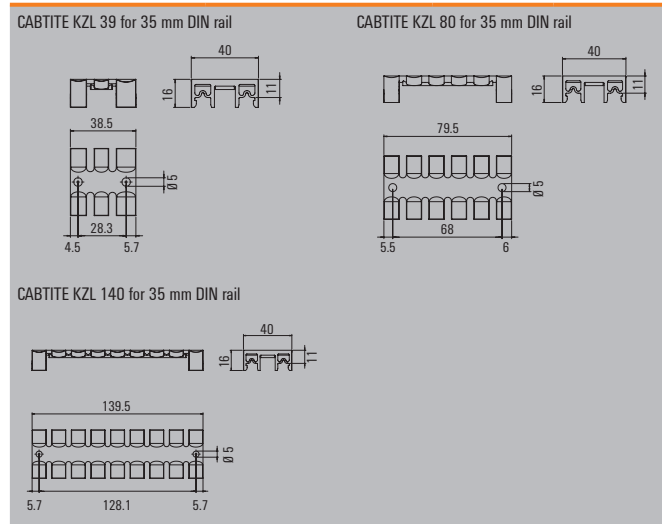
Technical data

Material	Polyamide, free from halogens and silicone
Colour	black
Temperatur range	-40 °C to +140 °C (static)
UL 94 flammability rating	V0

Ordering data

Type	Length	Qty.	Order No. for 35 mm DIN mounting rail	Order No. for C profile rail
CABTITE KZL 39	39 mm	10	1039990000	1040080000
CABTITE KZL 80	80 mm	10	1039970000	1040060000
CABTITE KZL 140	140 mm	10	1039960000	1040030000

Dimensions



Cabtite KVT






KVTs are used to feed through prefabricated cables when space is tight or only a few cables are required. As is the case with its big brother, the KEL, this product is also a two-piece system for easy assembly using the same cable grommets. The preassembled KVT32 can be used for hole diameters up to 35 mm, the KVT63 for hole diameters up to 65 mm. A sealing ring is also included.

- This two-piece system means that the size of the plug-in connector to be fed through is limited only by the size of the hole diameter.
- Two-piece two-tier system
- Fast and easy mounting
- The predefined gap achieves a minimum class of protection of IP54
- Large numbers of cables in very confined spaces
- Retrofitting of prefabricated wiring also possible
- The manufacturer's guarantee covering the prefabricated cables remains valid
- Integral strain relief to VDE 0619

Technical data

Material	Polycarbonate, free from halogens and silicone
Colour	grey, similar to RAL 7035
Temperatur range	IP54, when the correct cable grommet is selected
Class of protection	-30 °C to +100 °C (static)
UL 94 flammability rating	V0

Ordering data

Type	Thread	No. of grommet positions		Qty.	Order No.
		small	large		
 HDC KVT 25	M 25 x 1.5	1	-	10	1826660000
 HDC KVT 32	M 32 x 1.5	1	-	10	1826670000
 HDC KVT 63-4	M 63 x 1.5	4	-	5	1828230000
 HDC KVT 63-1	M 63 x 1.5	-	1	5	1828240000
Locknut for D-Sub 9					
 KGM-SUB-D9	M 32 x 1.5	1	-	10	1828250000

Note: HDC KVT 63-x types are supplied with a locknut.

Operating mode

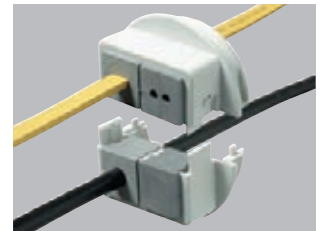
1. The grommet is fitted around the cable.

Important:

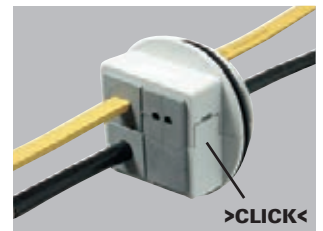
Choose an appropriately sized grommet for the diameter of the cable!



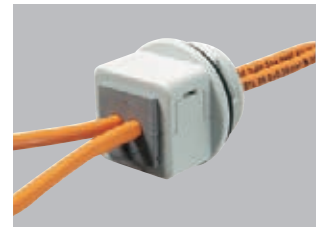
2. Press the grommet with the cable into the open cable gland. The flat sides of the grommet must face upwards when fitting the KVT 63/4!



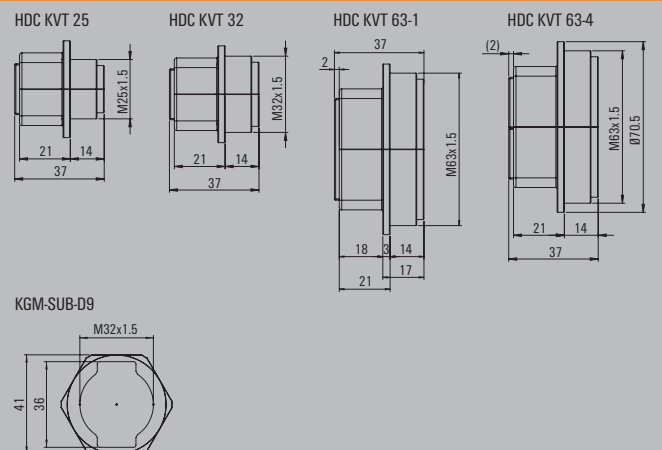
3. Squeeze the two halves of the cable gland together until they lock together with an audible "click".



4. Place the seal, which is also supplied, over the thread. Then fit the cable gland into the hole and, if necessary, secure it with a locknut.



Dimensions

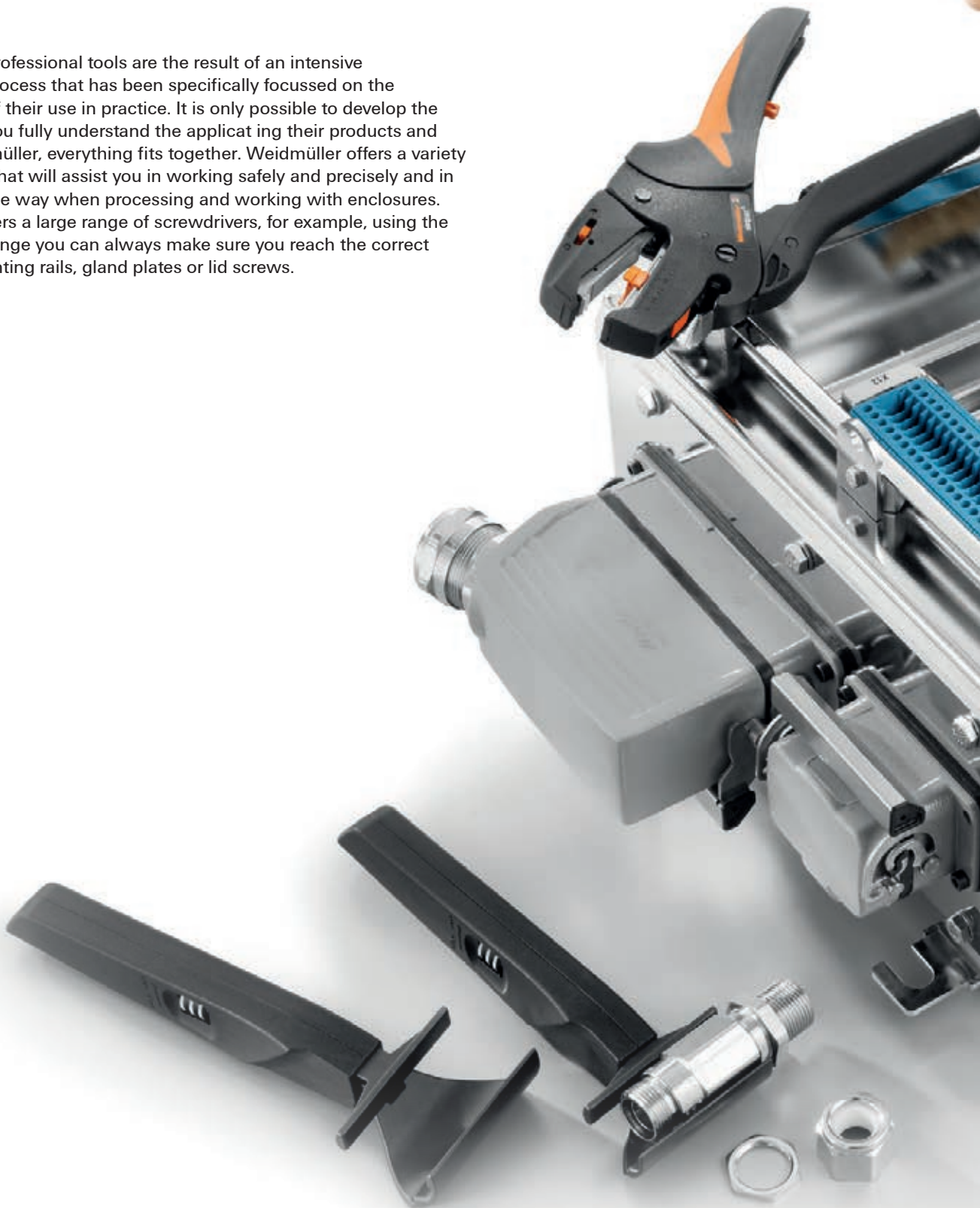


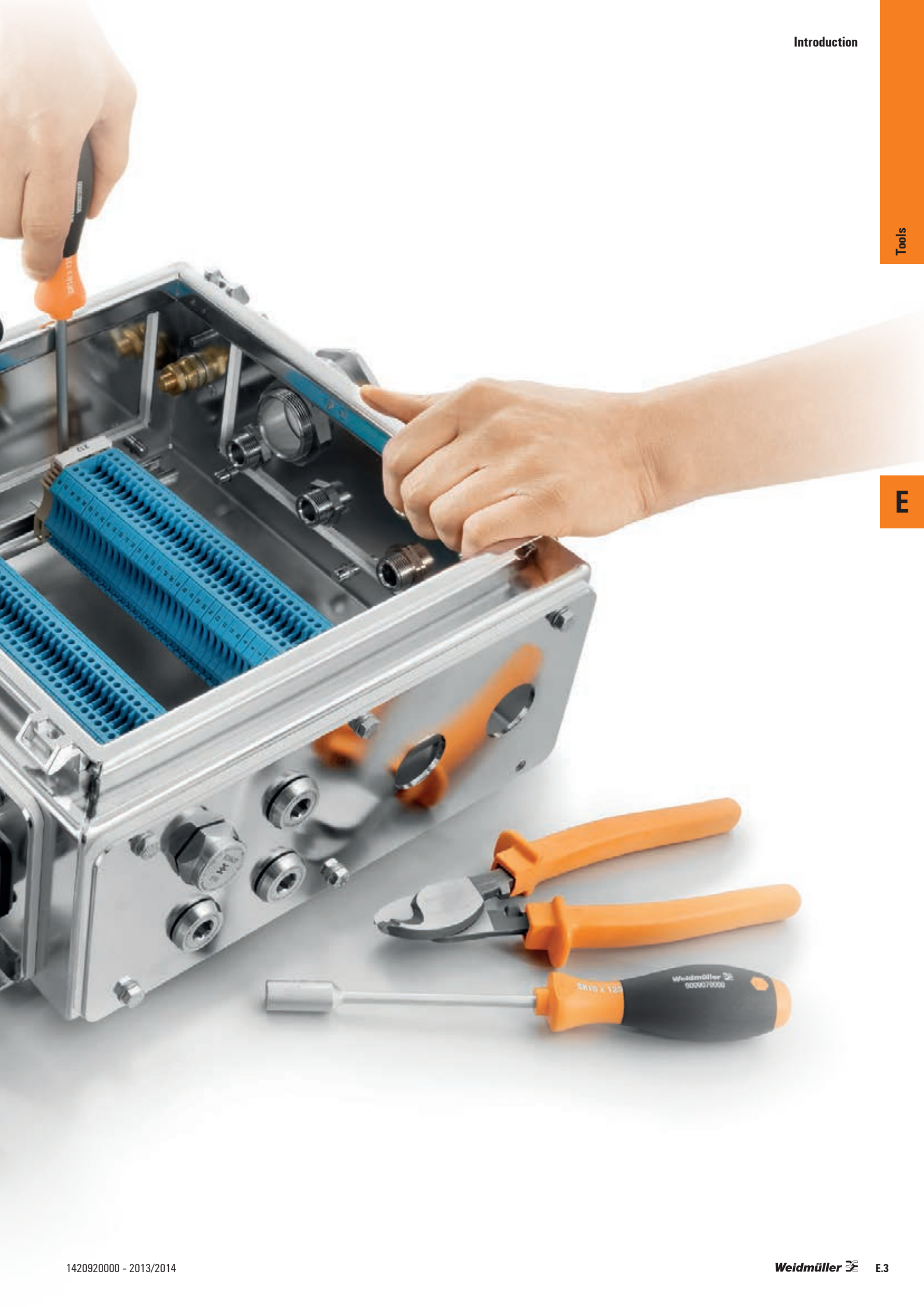
Tools

Tools	Introduction	E.2
	Hole punch	E.4
	Screwdrivers	E.8
	Torque screwdrivers	E.10
	Uninsulated torque screwdriver	E.11
	VDE-insulated torque screwdriver	E.12
	Cable gland tools	E.13
	Screwdrivers	E.14
	VDE-insulated screwdriver	E.15
	Uninsulated screwdriver	E.17
	Weidmüller wrench set	E.19
	Pin and electrical cabinet key	E.22

Tools

Weidmüller's professional tools are the result of an intensive development process that has been specifically focussed on the requirements of their use in practice. It is only possible to develop the perfect tool if you fully understand the application of their products and tools. At Weidmüller, everything fits together. Weidmüller offers a variety of useful tools that will assist you in working safely and precisely and in the best possible way when processing and working with enclosures. Weidmüller offers a large range of screwdrivers, for example, using the DMS Manual range you can always make sure you reach the correct torque for mounting rails, gland plates or lid screws.





Hydraulic hole puncher

The IP protection classes for enclosures, cable glands, heavy-duty connectors and Industrial Ethernet connectors can only be maintained under two conditions: the sheet metal must not be bent during the punching process and the size of the punched-out holes must correspond precisely with the specifications. The IE-KO-HAT hydraulic sheet metal hole puncher, together with its accessories, guarantees you the highest quality workmanship available. It ensures that the connector fits precisely with the punched-out holes so that you can fulfill the proper IP protection class requirements.



The hydraulic hole puncher punches out precise holes for accommodating metric and PG cable glands.



Automatic centre punching at the drill points when punching out holes for heavy-duty connectors.



Punching out holes for a variety of industrial Ethernet connectors.

The table below lists the round splitting stamps and their corresponding tension screws – for manual use and for use with the hydraulic screws

Type	Descriptions	Dimension	Order No.	Tension screw Ø x l in mm	Order No.	Hydraulic screw (tension bolt) Ø in mm	Order No.
KOS M 16	Round splitting stamp for M16 cable glands	Ø 16.2 mm	9204880000	9.5 x 50	9205030000	19 x 9.5	9205000000
KOS M 20	Round splitting stamp for M20 cable glands	Ø 20.4 mm	9204950000	9.5 x 50	9205030000	19 x 9.5	9205000000
KOS M 25	Round splitting stamp for M25 cable glands	Ø 25.4 mm	9204900000	9.5 x 50	9205030000	19 x 9.5	9205000000
KOS M 32	Round splitting stamp for M32 cable glands	Ø 32.5 mm	9204910000	19.0 x 55	9205040000	19	9205010000
KOS M 40	Round splitting stamp for M40 cable glands	Ø 40.5 mm	9204920000	19.0 x 75	9204780000	19	9205010000
KOS PG 9	Round splitting stamp for PG9 cable glands	Ø 15.2 mm	9204930000	9.5 x 50	9205030000	19 x 9.5	9205000000
KOS PG 11	Round splitting stamp for PG11 cable glands	Ø 18.6 mm	9204940000	9.5 x 50	9205030000	19 x 9.5	9205000000
KOS PG 13	Round splitting stamp for PG13 cable glands	Ø 20.4 mm	9204950000	9.5 x 50	9205030000	19 x 9.5	9205000000
KOS PG 16	Round splitting stamp for PG16 cable glands	Ø 22.5 mm	9204960000	9.5 x 50	9205030000	19 x 9.5	9205000000
KOS PG 21	Round splitting stamp for PG21 cable glands	Ø 28.3 mm	9204970000	9.5 x 50	9205030000	19 x 9.5	9205000000
KOS PG 29	Round splitting stamp for PG29 cable glands	Ø 37.0 mm	9204980000	19.0 x 55	9205040000	19	9205010000
KOS PG 36	Round splitting stamp for PG36 cable glands	Ø 47.0 mm	9204990000	19.0 x 75	9204780000	19	9205010000

Note: Hydraulic screw included in the IE-KO-HAT set.
Tension screws only used for manual operation.

Hydraulic hole puncher

Incl. accessories:

- 1 hydraulic screw \varnothing 19 mm
- 1 hydraulic screw \varnothing 19 x 9.5 mm
- 1 HSS pre-drill \varnothing 10 mm
- 1 spacer nut set (3-part)
- 1 bridge

IE-KO-HAT

- Overpressure valve protects against overloading
- Cylinder head angled 90°
- Angled head can be rotated through 360°
- Ergonomic handle springs back automatically
- The piece of waste no longer becomes jammed thanks to 3-fold cleaving
- Hydraulic punch manufactured from high-strength aluminium (approx. 40 % less weight)

Technical data

Maximum steel-sheet punching performance	
Round holes from 1 to \varnothing 85 mm	-
Round holes from 2 to \varnothing 64 mm	-
Square holes up to	-
Rectangular holes up to	-
Maximum stainless steel sheet punching performance	
Round holes from 3 to \varnothing 64 mm	-
Tool data	
Length x width x height	mm
Weight	kg
Punching force	kN
Max. operating pressure	bar
Note	

IE-KO-HAT	
2.0 mm F = 370 N/mm ²	
3.0 mm F = 370 N/mm ²	
68 x 68 mm; 2.0 mm F = 370 N/mm ²	
36 x 112 mm; 2.0 mm F = 370 N/mm ²	
2.5 mm F = 600 N/mm ²	
290 / 120 / 70	
1.9	
75	
650	
Note	

Ordering data

Version
Note

Type	Qty.	Order No.
IE-KO-HAT	1	1966810000
Note		

Accessories

Type	Qty.	Order No.
KOHS 19	1	9205010000
KOHS 9.5+19	1	9205000000
KOPD 10.0	1	9205020000
Note		

Type	Qty.	Order No.
KOHS 19	1	9205010000
KOHS 9.5+19	1	9205000000
KOPD 10.0	1	9205020000
Splitting stamp on the next page		

Custom stamp for Industrial Ethernet connections



Type	Description	Dimensions	Qty.	Order No.
IE-KOK-V1	Custom shape for Bajonet 01 metal	Ø 27 mm x 1-sided 25.9 mm	1	1966780000
IE-KOK-V4	Custom shape for Push Pull V04 plastic	Ø 23.2 mm x 2-sided 20.2 mm	1	1966790000
IE-KOK-V5	Custom shape for RockStar® V05 metal	22.0 x 22.0 mm	1	9204790000
IE-KOK-V14	Custom shape for V14 flange	22.0 x 18.5 mm	1	1135240000

Rectangular splitting stamp for heavy-duty connectors



Type	Description	Dimensions	Size	Qty.	Order No.
KOK 52 x 36	Splitting stamp for 6-pole heavy-duty connectors	52.0 x 36 mm	3	1	9204820000
KOK 65 x 36	Splitting stamp for 10-pole heavy-duty connectors	65.0 x 36 mm	4	1	9204830000
KOK 86 x 36	Splitting stamp for 16-pole heavy-duty connectors	86.0 x 36 mm	6	1	9204850000
KOK 91 x 36	Splitting stamp for 16-pole heavy-duty connectors	91.0 x 36 mm	1	1	9204860000
KOK 112 x 36	Splitting stamp for 24-pole heavy-duty connectors	112.0 x 36 mm	8	1	9204870000

Rectangular splitting stamp for switches



Type	Description	Dimensions	Qty.	Order No.
KOK 46 x 46	Rectangular splitting stamp for switches	46.0 x 46.0 mm	1	9204810000
KOK 68 x 68	Rectangular splitting stamp for switches	68.0 x 68.0 mm	1	9204840000

Round splitting stamp for metric cable glands



Type	Description	Dimensions	Qty.	Order No.
KOS M 16	Round splitting stamp for M16 cable glands	Ø 16.2 mm	1	9204880000
KOS M 20	Round splitting stamp for M20 cable glands	Ø 20.4 mm	1	9204950000
KOS M 25	Round splitting stamp for M25 cable glands	Ø 25.4 mm	1	9204900000
KOS M 32	Round splitting stamp for M32 cable glands	Ø 32.5 mm	1	9204910000
KOS M 40	Round splitting stamp for M40 cable glands	Ø 40.5 mm	1	9204920000

Round splitting stamp for high-strength cable glands



Type	Description	Dimensions	Qty.	Order No.
KOS PG 9	Round splitting stamp for PG9 Cable glands	Ø 15.2 mm	1	9204930000
KOS PG 11	Round splitting stamp for PG11 Cable glands	Ø 18.6 mm	1	9204940000
KOS PG 13	Round splitting stamp for PG13 Cable glands	Ø 20.4 mm	1	9204950000
KOS PG 16	Round splitting stamp for PG16 Cable glands	Ø 22.5 mm	1	9204960000
KOS PG 21	Round splitting stamp for PG21 Cable glands	Ø 28.3 mm	1	9204970000
KOS PG 29	Round splitting stamp for PG29 Cable glands	Ø 37.0 mm	1	9204980000
KOS PG 36	Round splitting stamp for PG36 Cable glands	Ø 47.0 mm	1	9204990000

Tension screw



Type	Description	Dimensions	Qty.	Order No.
KOBBS	Tension screw	9.5 x 50 mm	1	9205030000
KOBBS	Tension screw	19 x 55 mm	1	9205040000
KOBBS	Tension screw	19 x 75 mm	1	9204780000

Screwdrivers

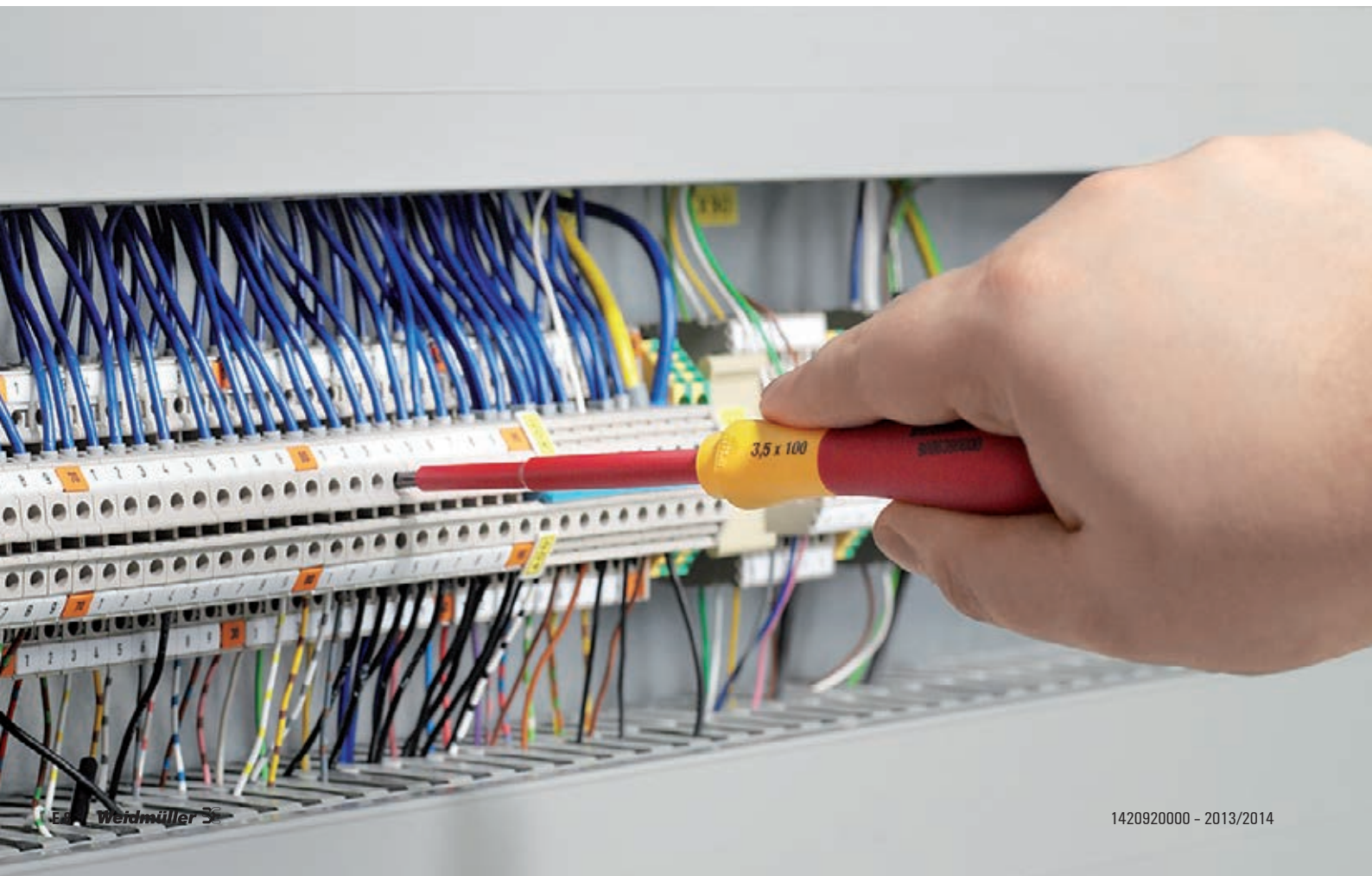
Precisely the proper torque! It's indispensable when you require your work to be precise, effective and repeatable: for example when screwing in sensitive or expensive components, during assembly, final testing, or during quality inspection. This is the ideal job for Weidmüller's manual torque screwdriver with its ergonomic grip and its unique interchangeable bit system.

The Weidmüller screwdriver assortment is the perfect solution; it features the ergonomic design and versatility required for demanding professional applications. Weidmüller safeguards your safety, health, comfort and efficiency with our ergonomic design.

In order to establish secure manual screw connections, all Weidmüller screwdrivers and manual torque screwdrivers feature an advanced geometry, slip protection and a special SoftFinish® area. These qualities enable optimal handling and ensure electrical safety and hand protection even when working on the most critical and potentially dangerous applications.

Weidmüller offers a wide variety of electric screwdrivers, standard bits and innovative quick-change holders – the perfect additions to the manual torque screwdriver. They are the ideal tool for achieving a high level of repetitive accuracy, which is made possible through their ergonomic design and integrated automatic torque control which comes as standard.

Weidmüller also offers innovative solutions for special applications such as cable glands or the fastening of sensor cables.





DMS manual / DMSI manual

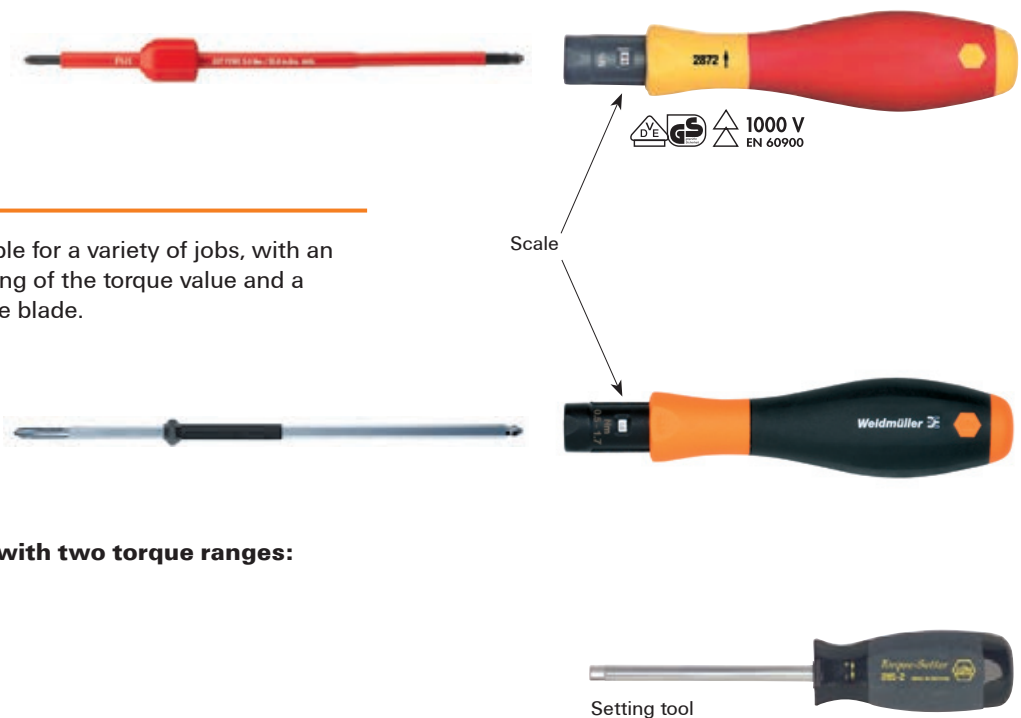
Torque screwdrivers with insulation up to 1,000 V (VDE) DMSI manual

The „DMSI manual“ with an integral window scale, combined with a Weidmüller 1,000 V insulated (VDE) interchangeable blade, ensures controlled tightening of screws and maximum reliability in electrical applications.

Every 1,000 V insulated (VDE) handle and blade is tested and provides the necessary safety up to 1,000 V AC / 1,500 V DC.

Torque screwdrivers DMS manual

This is a versatile tool suitable for a variety of jobs, with an integral scale for easy reading of the torque value and a Weidmüller interchangeable blade.



Each model is available with two torque ranges:

- 0.5 to 1.7 Nm
- 2.0 to 8.0 Nm
- setting tool included

Advantages:

- Compact and especially lightweight design
- Torque set with special tool (included) to ensure the right setting
- Ergonomic handle size to match the torque range
- Every tool checked and given an ID No., 100 % quality control with verification and product reference
- Audible, unmistakable click upon reaching the torque, no unnecessary effort
- Interchangeable blade made from high-quality wear-resistant tool steel
- All tools comply with the accuracy stipulations of: EN ISO 6798, BS EN 26789, ASME B107.14M
- Operating accuracy: ± 6 % of set scale value

Uninsulated torque screwdriver



DMS manual

Torque screwdriver
EN ISO 6798, BS EN 26789, ASME B107.14M



Type	Size / AF	a	b	c	Order No.
DMS MANUELL 0,5-1,7	0.5 - 1.7 Nm				9918370000
DMS MANUELL 2,0-8,0	2.0 - 8.0 Nm				9918380000

WK K S

Interchangeable bits for torque screwdriver
output acc. to DIN 5264, ISO 2380/1



WK S 0,4x2,5	max. 0.4 Nm	0.4	2.5	175	9918520000
WK S 0,5x3,0	max. 0.6 Nm	0.5	3	175	9918530000
WK S 0,6x3,5	max. 1.1 Nm	0.6	3.5	175	9918540000
WK S 0,8x4,0	max. 2.5 Nm	0.8	4	175	9918550000
WK S 1,0x5,5	max. 3.8 Nm	1	5.5	175	9918560000

WK K PZ

Interchangeable bits for torque screwdriver
output acc. to DIN 5260-PZ, ISO 8764/1-PZ



WK K PZ0	max. 0.9 Nm			175	9918600000
WK K PZ1	max. 3.8 Nm			175	9918610000
WK K PZ2	max. 5.5 Nm			175	9918620000

WK K PH

Interchangeable bits for torque screwdriver
output acc. to DIN 5260-PH, ISO 8764/1-PH



WK K PH0	max. 0.9 Nm			175	9918570000
WK K PH1	max. 3.8 Nm			175	9918580000
WK K PH2	max. 5.5 Nm			175	9918590000

WGK 1/4 C6.3 E6.3

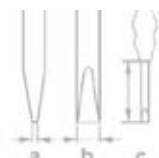
Interchangeable bit with bit holder for torque screwdrivers
Drive: 1/4" C6.3 and 1/4" E6.3



WK 1/4" C6,3 E6,3					9202510000
-------------------	--	--	--	--	------------

VDE-insulated torque screwdriver

VDE-insulated torque screwdriver



DMSI manual

VDE-insulated torque screwdriver
EN ISO 6798, BS EN 26789, ASME B107.14M



Type	Size / AF	a	b	c	Order No.
DMSI MANUELL 0,5-1,7	0.5 - 1.7 Nm				9918390000
DMSI MANUELL 2,0-8,0	2.0 - 8.0 Nm				9918400000

WK SI

VDE-insulated interchangeable bits for VDE-insulated torque screwdriver;
output acc. to DIN 5264, ISO 2380/1



WK SI 0,4x2,5	max. 0.4 Nm	0.4	2.5	200	9918410000
WK SI 0,5x3,0	max. 0.6 Nm	0.5	3	200	9918420000
WK SI 0,6x3,5	max. 1.1 Nm	0.6	3.5	200	9918430000
WK SI 0,8x4,0	max. 2.5 Nm	0.8	4	200	9918440000
WK SI 1,0x5,5	max. 3.8 Nm	1	5.5	200	9918450000

WK IK PH

VDE-insulated interchangeable bits for VDE-insulated torque screwdriver;
output acc. to DIN 5260-PH, ISO 8764/1-PH



WK IK PH0	max. 0.9 Nm			200	9918460000
WK IK PH1	max. 3.8 Nm			200	9918470000
WK IK PH2	max. 5.5 Nm			200	9918480000

WK IK PZ

VDE-insulated interchangeable bits for VDE-insulated torque screwdriver;
output acc. to DIN 5260-PZ, ISO 8764/1-PZ



WK IK PZ0	max. 0.9 Nm			200	9918490000
WK IK PZ1	max. 3.8 Nm			200	9918500000
WK IK PZ2	max. 5.5 Nm			200	9918510000

WK IK SL/PH

VDE-insulated interchangeable bits for VDE-insulated torque screwdriver



WK IK SL/PH1					1318130000
WK IK SL/PH2					1318140000

Cable gland tools

Screwing tool for all types of cable glands.

- Can tighten or loosen several rows of cable glands
- No deforming of the cable glands

FleCaFix 11/24

Cable gland tool



- Spanner size: 11 to 24 AF
- Infinite adjustment of spanner size
- Ratchet function: not necessary to remove tool between turns
- Authentic one-hand tool

FleCaFix 24/36

Cable gland tool



- Spanner size: 24 to 36 AF
- Infinite adjustment of spanner size
- Ratchet function: not necessary to remove tool between turns
- Authentic one-hand tool



Technical data

Tool data	
Length / Width / Height	mm
Weight	g
AF size	-
Note	

190 / 30 / 60
190
11...24 mm

204 / 30 / 60
240
24...36 mm

Ordering data

Version
Note

Type	Qty.	Order No.
FLECAFIX 11/24	1	9015900000

Type	Qty.	Order No.
FLECAFIX 24/36	1	9015980000

Screwdrivers

Weidmüller screwdrivers come in four different grip sizes, and are the result of a consistent grip concept which takes into account both the human hand and the different work requirements and conditions.

- Perfect handling with all grip sizes
- Maximum torques
- Optimum transmission of axial force
- Complete range including all commercial sizes



SoftFinish® grip



Weidmüller's SoftFinish® grip zone for use in dry conditions and for general applications offers customers a complete range of screwdrivers that enables far higher torques as well as substantially more comfort due to the soft material of the grip.

Product benefits:

- Made of an especially soft material, which is kind to the skin, the SoftFinish® zone enables maximum torques
- Perfect ergonomic grip design for comfortable screw driving and optimum handling
- You can choose from long-life extremely stressable blades in standard sizes
- ChromTop blade tip offers maximum corrosion protection and greatest possible dimensional accuracy of the blade geometry in the screw head over many years

SoftFinish® electric



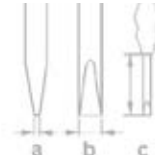
VDE-insulated screwdriver according to DIN EN 60900, IEC 900 for work on live equipment

Product benefits:

- The protective insulation moulded directly on the screwdriver blade ensures electrical safety, even in critical applications
- Safe for working at up to 1,500 volts DC and 1,000 volts AC
- Each screwdriver is individually tested in a water bath at 10,000 volts according to DIN EN 60900
- Perfect ergonomic grip design for comfortable screw driving and optimum handling
- Made of special soft material which is kind to the skin, the SoftFinish® zone prevents slipping in critical situations and at the same time enables maximum torques

VDE-insulated screwdriver

VDE-insulated screwdriver, for working on live parts up to 1.000 V AC and 1.500 V DC.
DIN EN 60900, IEC 900,
Each piece „GS Safety“ tested. Bit made from fully hardened, high-alloy chromiumvanadium-molybdenum steel, gun-metal finish.



SDI S

VDE insulated slot-head screwdriver, SDI DIN 7437, ISO 2380/2, drive output acc. to DIN 5264, ISO 2380/1. SoftFinish® grip



Type	Blade type	Size / AF	a	b	c	Order No.
SDIS 0.4X2.0X60	A		0.4	2	60	9205690000
SDIS 0.4X2.5X75	A		0.4	2.5	75	9008370000
SDIS 0.5X3.0X100	B		0.5	3	100	9008380000
SDIS 0.6X3.5X100	B		0.6	3.5	100	9008390000
SDIS 0.8X4.0X100	B		0.8	4	100	9008400000
SDIS 1.0X4.5X125	B		1	4.5	125	9008910000
SDIS 1.0X4.5X175	B		1	4.5	175	9205700000
SDIS 1.0X5.5X125	B		1	5.5	125	9008410000
SDIS 1.0X5.5X175	B		1	5.5	175	9205710000
SDIS 1.2X6.5X150	B		1.2	6.5	150	9008420000
SDIS 1.6X8.0X175	B		1.6	8	175	9008430000

SDIK PH

VDE-insulated crosshead screwdriver Pozidrive type, SDIK PZ DIN 7438, ISO 8764/2-PZ, output acc. to ISO 8764-PZ, SoftFinish® grip



SDIK PH0	0.00	60	9008560000
SDIK PH1	1.00	80	9008570000
SDIK PH2	2.00	100	9008580000
SDIK PH3	3.00	150	9008590000

SDIK PZ

VDE-insulated crosshead screwdriver Pozidrive type, SDIK PZ DIN 7438, ISO 8764/2-PZ, output acc. to ISO 8764-PZ, SoftFinish® grip



SDIK PZ1	1.00	80	9008900000
SDIK PZ2	2.00	100	9008890000

SDI SL / PH

VDE-insulated plus-minus screwdriver, Phillips, SDI SL/PH SoftFinish® handle



SDI SL/PH 1	size PH1	1318330000
SDI SL/PH 2	size PH2	1318340000

SDIZ

VDE insulated slot-head screwdriver, SDI DIN 7437, ISO 2380/2, drive output acc. to DIN 5264, ISO 2380/1. SoftFinish® grip

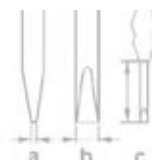


SDIZ 0.6X3.5X100	0.6	3.5	100	9008450000
SDIZ 0.8X4.0X100	0.8	4	100	9008460000
SDIZ 0,8X5,5 150/248	0.8	5.5	150	9008640000

VDE-insulated screwdriver

VDE-insulated screwdriver

VDE-insulated screwdrivers, for working on live parts up to 1.000 V AC and 1.500 V DC, DIN EN 60900, IEC 900. Each piece „GS Safety“ tested. Blade made from throughhardened, high-alloy chromium-vanadium-molybdenum steel, gun-metal black-oxide finish.



SDIS 2.5-5.5/PH/1/2

6-part set: VDE insulated slotted and crosshead PH screwdriver set



Type	Blade type	Size / AF	a	b	c	Order No.
SDIS 0.4X2.5X75	A		0.4	2.5	75	
SDIS 0.5X3.0X100	B		0.5	3	100	
SDIS 0.8X4.0X100	B		0.8	4	100	
SDIS 1.0X5.5X125	B		1	5.5	125	
SDIK PH1		1.00			80	
SDIK PH2		2.00			100	
SDI Set S2.5-5.5/PH1/2						9009730000

SDIS 2.5-5.5/PZ/1/2



SDIS 0.4X2.5X75	A		0.4	2.5	75	
SDIS 0.5X3.0X100	B		0.5	3	100	
SDIS 0.8X4.0X100	B		0.8	4	100	
SDIS 1.0X5.5X125	B		1	5.5	125	
SDIK PZ1		1.00			80	
SDIK PZ2		2.00			100	
SDI Set S2.5-5.5/PZ1/2					1	1128540000

SDIS 2.0-5.5

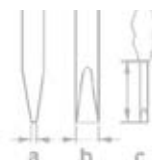
6-part set: VDE-insulated slotted screwdriver set



SDIS 0.4X2.0X60	A		0.4	2	60	
SDIS 0.4X2.5X75	A		0.4	2.5	75	
SDIS 0.5X3.0X100	B		0.5	3	100	
SDIS 0.6X3.5X100	B		0.6	3.5	100	
SDIS 0.8X4.0X100	B		0.8	4	100	
SDIS 1.0X5.5X125	B		1	5.5	125	
SDI Set S2.0-5.5					1	9205550000

Uninsulated screwdriver

Weidmüller SoftFinish® screwdriver for general applications.
Blade made from through-hardened, high-alloy chromium-vanadium-molybdenum steel, matt chrome-plated.



SD S

Slotted screwdriver with rounded blade SD DIN 5265, ISO 2380/2, output to DIN 5264, ISO 2380/1. ChromTop tip, SoftFinish® grip



Type	Blade type	Size / AF	a	b	c	Order No.
SDS 0.4X2.0X60	B		0.4	2	60	9037160000
SDS 0.4X2.5X75	A		0.4	2.5	75	9009030000
SDS 0.5X3.0X80	A		0.5	3	80	9008320000
SDS 0.6X3.5X100	A		0.6	3.5	100	9008330000
SDS 0.6X3.5X200	A		0.6	3.5	200	9010110000
SDS 0.8X4.0X100	A		0.8	4	100	9008340000
SDS 0.8X4.0X125	A		0.8	4.5	125	9009020000
SDS 1.0X5.5X150	A		1	5.5	150	9008350000
SDS 1.2X6.5X150	A		1.2	6.5	150	9009010000

SDK PH

Crosshead screwdriver, Phillips, SDK PH DIN 5262, ISO 8764/2-PH, output to ISO 8764-PH, ChromTop tip, SoftFinish® grip



SDK PH0		0.00			60	9008470000
SDK PH1		1.00			80	9008480000
SDK PH2		2.00			100	9008490000
SDK PH3		3.00			150	9008500000

SDK PZ

Crosshead screwdriver, Pozidriv, SDK PZ DIN 5262, ISO 8764/2-PZ, output to ISO 8764/1-PZ, ChromTop tip, SoftFinish® grip



SDK PZ1		1.00			80	9008530000
SDK PZ2		2.00			100	9008540000
SDK PZ3		3.00			150	9008550000

SD TH

Torx® TH screwdriver with hole in tip of blade (tamper-resistant), SD TH for screwing Torx® and Torx®-TH security screws (pin in centre of Torx® recess), ChromTop tip, SoftFinish® grip



SD TH10					10	80	9009180000
SD TH15					15	80	9009170000
SD TH20					20	100	9009160000

SK

Hexagon socket wrench SK DIN 3125, output to DIN 3125, SoftFinish® grip



SK 10,0x125							9009070000
-------------	--	--	--	--	--	--	------------

Uninsulated screwdriver

Uninsulated screwdriver

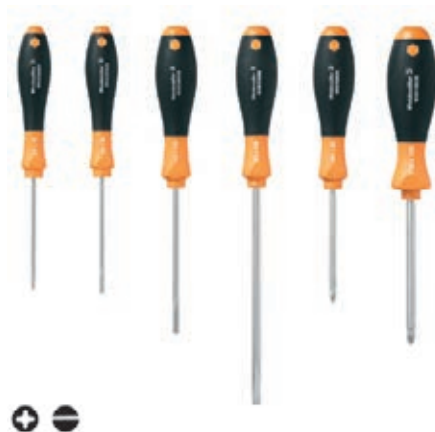
Weidmüller SoftFinish® screwdriver for general applications.

Blade made from through-hardened, high-alloy chromium-vanadium-molybdenum steel, matt chrome-plated.



Set S 2.5/3.0/4.0/5.5/PH 1/2

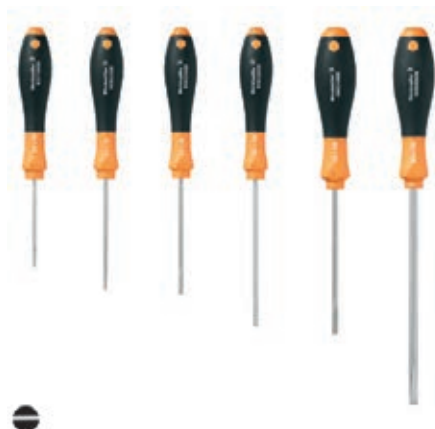
6-part set: slotted and crosshead PH screwdriver set with circular blades



Type	Blade type	Size / AF	a	b	c	Order No.
SDS 0.4X2.5X75	A		0.4	2.5	75	
SDS 0.5X3.0X80	A		0.5	3	80	
SDS 0.8X4.0X100	A		0.8	4	100	
SDS 1.0X5.5X150	A		1	5.5	150	
SDK PH1		1.00			80	
SDK PH2		2.00			100	
SD Set S2.5-5.5/PH1/2						9009740000

Set S 2.0/2.5/3.0/3.5/4.0/5.5

6-part set: slotted screwdriver set



SDS 0.4X2.0X60	B		0.4	2	60	
SDS 0.4X2.5X75	A		0.4	2.5	75	
SDS 0.5X3.0X80	A		0.5	3	80	
SDS 0.6X3.5X100	A		0.6	3.5	100	
SDS 0.8X4.0X100	A		0.8	4	100	
SDS 1.0X5.5X150	A		1	5.5	150	
SD Set S2.0-5.5					1	9205560000

SD TO 0,6x3,0

Angled slotted screwdriver with round handle, SoftFinish® handle



SD TO 0,6X3,0	A		0.6	3	70	1323880000
---------------	---	--	-----	---	----	------------

Weidmüller wrench set

Weidmüller wrench set

Weidmüller SoftFinish® screwdriver for general applications.
 Blade made from through-hardened, high-alloy chromium-vanadium-molybdenum steel, matt chrome-plated.

System 11+1 S-PH-PZ-SK

12-piece set with interchangeable bits for slotted, cross-head PH/PZ and hexagon head screws, SoftFinish® handle



Type	Size / AF	a	b	c	Order No.
SD					
SD					
SD					
SD					
PH 1					
PH 2					
PZ 1					
PZ 2					
SK					
SK					
SK					
SYSTEM 11+1				140	9009750000

IS 4 / IS 6 / IS 8

Wrench with pegged pilot tip



Hexagon screwdriver with cross-grip made from highquality plastic

- Nickel-plated surface
- Made from hardened chromium-vanadium steel
- Manufactured according to DIN 6911
- Designed for screws acc. to DIN 6912

IS 2 KG / IS 3 KG / IS 4 KG

Socket wrench



Hexagon screwdriver with cross-grip made from highquality plastic

- Nickel-plated surface
- Made from hardened chromium-vanadium steel
- Manufactured according to DIN 6911
- Designed for screws acc. to DIN 6912

SDQ T15 / SDQ T20 / SDQ T40

Socket wrench, Torx®



Torx® screwdriver with cross-grip made from high-quality plastic

- Matt-chrome surface finish
- Made from hardened chromium-vanadium steel

Technical data

	IS4	IS6	IS8
c	60 mm	80 mm	90 mm
Weight	27 g	61 g	89 g

Technical data

	IS 2 KG	IS 3 KG	IS 4 KG
c	100 mm	100 mm	100 mm
Weight	32 g	32 g	32 g

Technical data

	SDQ T15	SDQ T20	SDQ T40
c	100 mm	100 mm	100 mm
Weight	32 g	32 g	32 g

Ordering data

Type	Qty.	Order No.
IS 4 DIN 6911	1	0485100000
IS 6 DIN 6911	1	0407900000
IS 8 DIN 6911	1	0235000000

Ordering data

Type	Qty.	Order No.
IS 2 KG	1	1806630000
IS 3 KG	1	1806650000
IS 4 KG	1	1806660000

Ordering data

Type	Qty.	Order No.
SDQ T15	1	1318390000
SDQ T20	1	1318400000
SDQ T40	1	1318410000

Cross-Key Master

Universal key



- 1.0 x 7 mm PH 2
- 5 mm □
- 7 mm □ 12 mm 9 mm ▲ 13.5 mm
- 8 mm □ 13.5 mm 4 mm ◀ 10 mm

- With bit holder and reversible bit (drives - refer to symbols)
- Material: diecast zinc
- Dimensions: 62 x 90 mm

Application: For almost all technical locking systems in buildings including: doors, window handles, radiator bleed valves, sanitary installations, HVAC, gas and water supply



Cross-Key Universal

Universal electrical cabinet key



- 1.0 x 7 mm PH 2
- 5 mm □
- 6 mm □ 11.5 mm 9 mm ▲ 13.5 mm
- 7-8 mm □ 13.5 mm 3-5 mm ● 9 mm

- With bit holder and reversible bit (drives - refer to symbols)
- Material: diecast zinc
- Dimensions: 72 x 72 mm

Application: For locking systems used in electrical engineering, fits all standard electrical cabinet locks.



Cross-Key Universal S

Universal mini electrical cabinet key



- 1.0 x 7 mm PH 2
- 6 mm □ 11.5 mm 9 mm ▲ 13.5 mm
- 8 mm □ 13.5 mm 5 mm ● 9 mm

- With bit holder and reversible bit (drives - refer to symbols)
- Material: diecast zinc
- Dimensions: 42 x 42 mm

Application: For locking systems used in electrical engineering, fits all standard electrical cabinet locks.



Technical data

Ordering data

Type	Qty.	Order No.
CROSS-KEY MASTER	1	9918150000

Technical data

Ordering data

Type	Qty.	Order No.
CROSS-KEY UNIVERSAL	1	9918130000

Technical data

Ordering data

Type	Qty.	Order No.
CROSS-KEY UNIVERSAL S	1	9918140000

Weidmüller Solutions & Services

Weidmüller Solutions & Service	Customer specific solutions: best advice, best solutions	V.2
	Digital support: RailDesigner®, Product Assistant for Distribution Boxes, Online product catalogue, M-Print® PRO label designer	V.8

Application specific solutions – Your requirements are our motivation

Each industry has its own requirements calling for more and more individual solutions aside from standard products. Your new product might have to contend with severe conditions. Many applications are subjected to high mechanical strains – through vibration or directly applied forces. Extreme temperature conditions or an application in hazardous areas are further factors your product must be able to comply with. We can offer you highly competent expertise to support you in the selection of ideal products, whatever your application. Feel free to contact us!

From custom product development, customer-specific assembly or application-specific products that are ready for use - we can help you to optimise your working processes and ensure your company's sustained efficiency, today, as well as for the future.

Individual product development

Working closely with you, we can develop individual and future-proof products using the latest technologies and which are specifically tailored to your application.

Customer-specific assembly

Our highly-skilled production expertise and broad product portfolio means that we can deliver superior solutions to meet and exceed your specification requirements.

Application-specific products

Our cross-industrial solutions set standards: Set up for your application, instantly ready for use and available from stock.



V

Individual product development for your success

We have a passion for simple, innovative solutions

Working with you, we can develop innovative and future-oriented products tailored to your application. Our philosophy is "one customer - one product". It is not the product that is the starting point, but you, your technical specifications and your requirements.

A connecting partnership

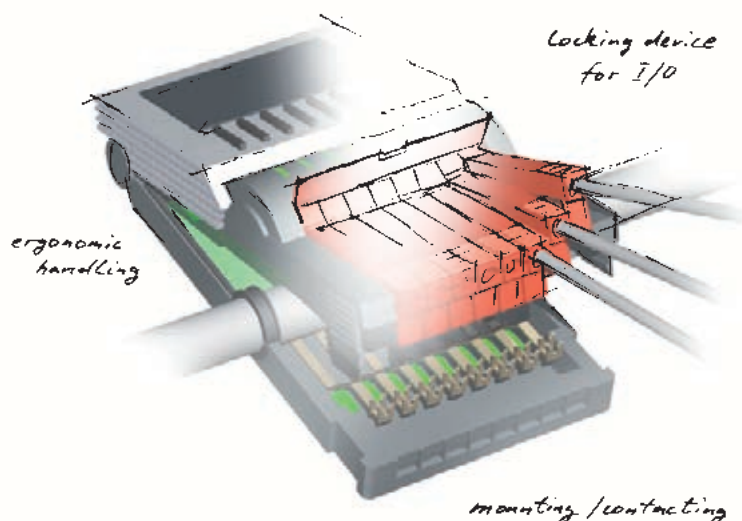
The development of individual products means making the most of the experience and competencies available in the partnership. Our project management provides a professional and quality approach - from concept and design through to development, implementation and production. Our extensive knowledge of electrical connectivity, enclosure and sealing technology, as well as signal conditioning are all at your disposal.

Benefit from a reliable partner:

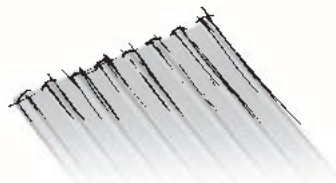
- Increase the efficiency of your development and production processes**
 Outsourcing the development and production of your components will shorten your time-to-market. In addition, you have more time to concentrate on your core competencies.
- Take advantage of our applications and production experience and expertise**
 You can draw on the accumulated knowledge of our applications engineers and our specialists in the fields of connection technology, enclosure and surface technology, as well as metal and plastic processing, which is second to none.
- Feel safe with the professional approach of our project management**
 Through innovation workshops, feasibility studies and profitability analyses we define a requirement profile forming the basis for the further development process. In this way, you can be sure of the best possible products for your needs.

*all technical
data achieved ?*

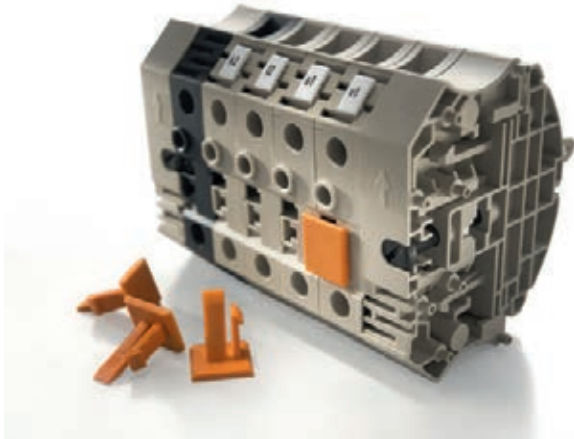
functional tests



VDE / UL approvals !!



Application specific products – solutions for industries and markets



Industries and applications often have similar or even identical requirements for products or product assemblies. Application specific products that are based on earlier realised solutions are now directly available from stock.

Your advantage: You quickly get a suitable and cost-efficient solution.

Cross industrial solutions as standard

It is our aim to develop solutions that offer the additional advantage of a truly flexible design. Although this may mean an application-specific product may have an additional input or terminal you don't need, it can still be much cheaper than having a custom-made solution. Therefore, you not only save time, but money!



Reap multiple benefits:

- **High availability**

Application specific products are available from stock without delay. So you can rely on the delivery of your products when you need them.

- **Advice from application engineers**

Using the expertise of our applications engineers means that you can develop the solutions that are not only right, but which deliver added value to your applications.

- **Supportive software**

Project planning and evaluation is made easy with our software solutions such as NetCalc, RailDesigner® or Softclinic.

- **Worldwide application centres**

We stay in constant dialogue with our worldwide application centres, ensuring that our own application knowledge is shared, kept up to date and at your disposal anywhere you need us.



Customer specific assembly, tailored configuration



You may be looking to bring costs down and increase your efficiency. It may be that you would like more time to focus on your core competencies. You could be looking for a partner who will send up intelligent solutions for you, that you can trust to deliver your specific requirements. Here at Weidmüller, we have a wealth of expertise, capability, and capacity to deliver custom solutions that are flexible, economically advantageous and on time.

We offer to work closely with you, providing support and advice, and in putting together the job specification. Furthermore, our broad product portfolio means that we can jointly work together on the selection of the best components to make up your custom solution.

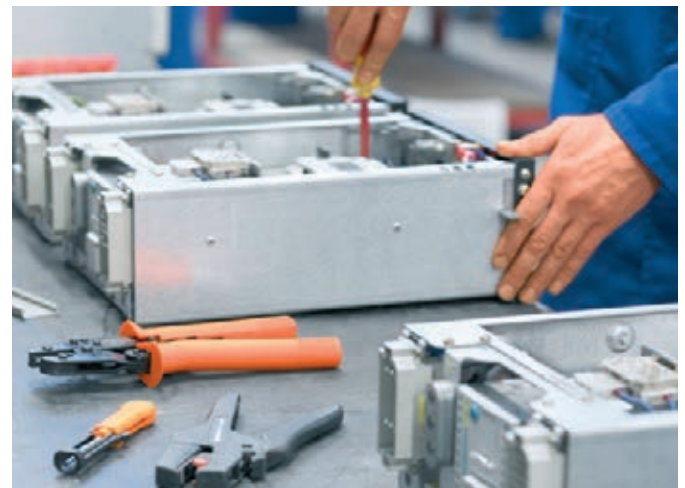


Highest levels of professional production

You have complete access to our highly-skilled project management team and our production expertise, for example, in the ATEX area. We can offer you a comprehensive portfolio of customer-specific assemblies, from simple assembly to the modification of existing electronics products.

Our services include:

- Adaptation and assembly of enclosures for all IP protection classes
- ATEX solutions for hazardous areas
- Assembly of heavy duty connectors
- Assembly of terminal strips
- Customer specific electronics solutions
- Cable assembly



Take advantage of:

- **Simple ordering and stockholding information**

One solution – one item number! It will no longer be necessary to order single components. Article variety and stockholding will be reduced.

- **Professional assembly**

All individual components will be pre-assembled, reducing your own assembly time and costs.

- **Less costs for documentation**

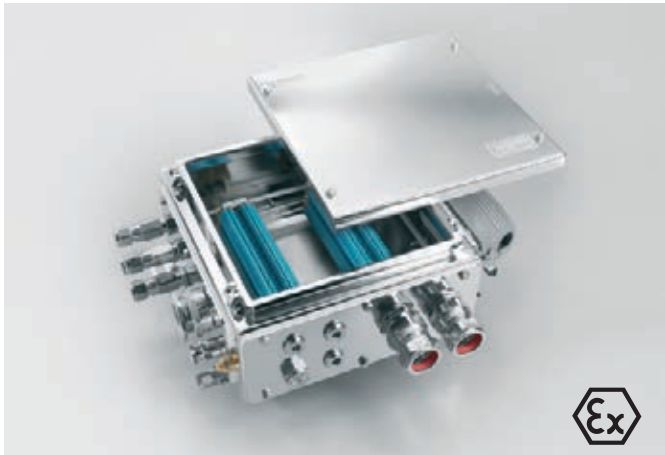
Our RailDesigner® software will facilitate the generation of parts lists or drawings.

- **Modern processing of enclosures**

Our CNC processing centres can adapt the enclosures to suit your tailored solution.

Customer specific assembly – consultation, product, development and production – all from a single source

Our application and manufacturing expertise influences decisions on all areas of modern connection technology. They therefore play an integral part of every solution.



Enclosures

Perfect protection and safety

- Enclosures for all IP protection classes
- ATEX enclosures for hazardous areas
- Placement of inspection glasses, drill holes and threads
- Elaborate machining operations like the milling of contours
- Class C5 welding, according to DIN 6700, for stainless steel and sheet steel enclosures
- Surface coating as and when required
- Individual device and system markers



Heavy duty connectors

Perfect connection with system

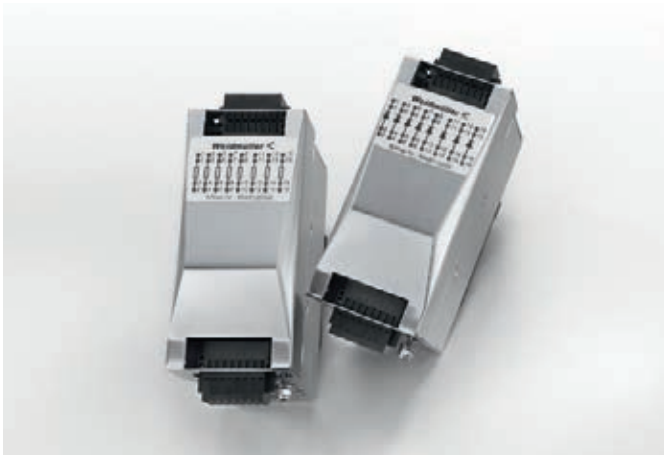
- Placement of drill holes and cable glands
- Equipped with plug-and-play components
- Wiring of subassemblies
- Cable assembly
- All housings are available with individual laser marking



Terminal strips

Configuration made to measure

- Machining of mounting rails
- Snapping components onto terminal rails
- Placement of cross connections
- Mounting of standard wires
- Marking of terminals, devices, wires and cables



Electronics

Individual solution from the beginning

- Modular terminal blocks, component plugs, snap on bases, enclosures for electronics: integration of relevant electronic components
- Snap-on base: Component carrier design or simple wiring of the modules
- Interface units
- Modification of existing electronic products: Modification of the circuitry or specific calibration
- Combination of components: Relays or optocouplers in combination with other components



Cable assembly

Our special service

- Pre cutting of wires and cables
- Installation of
 - Heavy duty connectors
 - PCB connectors or DIN connectors
- Conditioning of wire ends
- Mounting of wire end ferrules and cable lugs
- Connection of wires to terminal rails

RailDesigner®

A faster way to configure and order terminal strips



These days, time and cost efficiency are of the essence when it comes to working in planning and production. RailDesigner®, our free configuration and purchasing software, uses its virtual assembly of mounting rails (assembled or unassembled) to help you with the design of your own completely personal solution.

RailDesigner® brings you substantial benefits:

Less time required

It speeds up the process of acquiring quotations and placing orders because, for example, all processes can be initiated directly from the software. You configure your projects and the rest virtually takes care of itself!

User friendly operation

Any potential errors are prevented by automatic installation tips and clear project processing and management. So that you can plan your project realistically, RailDesigner® offers both 2D and 3D displays.

Wide selection from the current product portfolio

"You can easily download software updates for RailDesigner® from the internet. This means that you will always have access to the latest version of our product database."

Project planning that is compatible with your software

Plan and design your projects easily using your usual CAE software. With the integrated interface, transferring data from your CAE system has never been so simple. You can export component lists and terminal strip designs in various formats. Marking data is automatically transferred to the M-Print® Pro labelling software.

Simple purchasing of terminal strips

Once you have completed the planning stages of your projects in RailDesigner®, you can choose to send all of your data to us by email. Then we take over the assembly and deliver the required configuration to you, along with anything else that you still require for your project.

Download the software for free and discover the advantages to using RailDesigner® at www.raildesigner.de

Product assistant for distribution boxes and assemblies – The perfect solution, in the shortest time



You can easily and quickly select, combine and purchase the required components, all with the help of the Weidmüller product assistant for distribution boxes and assemblies. This means that you can rapidly obtain your individual enclosure solutions which may include the following components:

Empty enclosures without holes

Empty enclosures in various sizes of the Klippon® K and Klippon® POK series (aluminium and plastic) with matching mounting rails.

Empty enclosures with pre-threaded holes

Empty enclosures in different sizes from the Klippon® K and Klippon® POK series (aluminium and plastic), that are already equipped with metric threaded holes.

Mounting rails

Exactly tailored mounting rails for the enclosure sizes on offer.

Terminal strips

Mounting rails, which also perfectly match the offered enclosure sizes and are pre-fitted with terminals, optionally with screw or tension clamp connection.

Distribution boxes with Ex-protection

Enclosures that are already assembled with a terminal strip and already equipped with metric threaded holes.

Numerous possible combinations

Enclosures with Ex-protection are supplied exclusively with terminal strips that are already fitted. The product assistant offers you various approaches for industry variants so that you can create the right enclosure variant.

You can start off with any of the listed components and then add further components to the combination. This means that, for example, you can select the required terminal strip and the product assistant will then offer the matching enclosure variants.

Or, you can start with the enclosure, and matching terminal strips or mounting rails will then be chosen. The selected products can then be directly included in the query list.

Provision of all relevant data

During the selection, you can choose filters for the terminal strips, such as length, connection technology or dimensional cross-section and, for the enclosure, you can choose material, size, holes etc. If a product is then selected and combined, the user can view all of the relevant data, including drawings and pictures. This means that you can extensively plan how the enclosure will be integrated into the customer's application.

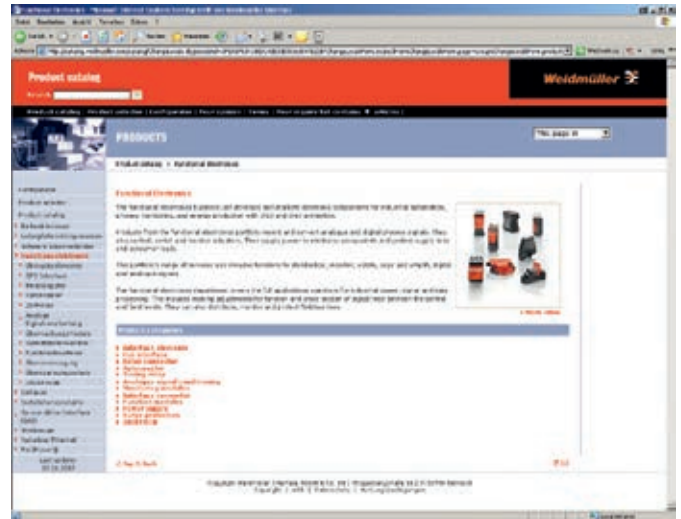
The product assistant is available at <http://galaxy.weidmueller.com>

Online product catalogue

If you have questions about the specifications and details of our products, perhaps even outside normal business hours, then our online catalogue at <http://catalog.weidmueller.com> is opened 24 hours a day, 365 days a year and is the perfect source for information. Besides product features and part numbers, it contains extensive additional information on all product groups.

For further information, offers and your personal contact, simply consult the Weidmüller website at

www.weidmueller.com

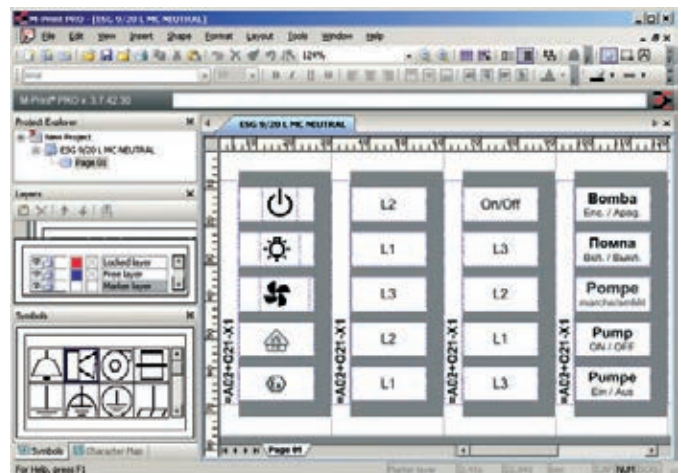


With one click selection for the product data sheet of your choice.

M-Print® PRO label designer

The comprehensive range of Weidmüller services includes the M-Print® PRO software. This is a professional standard, Windows®-based program for printing and ordering labels and markers that is coordinated with our current printing systems and marking materials.

M-Print® PRO enables you to design your labelling materials professionally and quickly. Texts, borders, lines, graphics, barcodes, serial numbers and photographs are all possible. The interface to RailDesigner® or your CAE system enables the transfer of all your configured data.



Technical appendix

Technical appendix	ATEX directive 1999/92/EC	W.2
	ATEX directive 94/9/EC	W.4
	IECEx scheme	W.5
	Classification of explosive groups in gas Ex protection	W.6
	Classification of zones and equipment categories	W.6
	Ratings plate of an empty enclosure	W.7
	IP class of protection	W.8

ATEX directive 1999/92/EC

Article 137 of the European Community Formation Treaty set out the minimum standards in order to improve workers' health and safety, this can also be put at risk by explosive atmospheres. An explosive atmosphere is a mixture of air and flammable gasses, vapours, mists or dust under atmospheric conditions where, following successful ignition, the burning process will propagate throughout the whole unburned mixture.

The ATEX directive 1999/92/EC was transferred into national law. Compliance with the minimum standards contained in this directive does not guarantee that all relevant national laws are met. It is possible for local regulators to introduce more stringent requirements.

The employer is required, according to the ATEX directive 1999/92/EC, to take measures to ensure the health and safety of the employees. One measure is the division of the area into zones where explosive atmospheres could be present.

Unless the risk analysis conducted by the employer indicates otherwise, all areas where an explosive atmosphere may be present must be equipped with devices and protective systems that meet the relevant category of the ATEX directive 94/9/EC.

In particular in these zones the following categories of equipment should be used, as long as they are suitable for use with gases, vapours, mists or dusts:

- In Zone 0 or Zone 20: category 1 devices,
- In Zone 1 or Zone 21: category 1 or category 2 devices,
- In Zone 2 or Zone 22: category 1, category 2 or category 3 devices.

Zoning according to the ATEX directive 1999/92/EC

Zone 0

An area which has a potentially explosive atmosphere that is a mixture of air and **flammable gases, vapours or mists**. The mixture is either permanently present or frequently present over long periods of time.

Zone 1

An area in which during normal operations a potentially explosive atmosphere of air and **flammable gases, vapours or mists** can occasionally form.

Zone 2

An area for which during normal operations there is at most only a short-term occurrence of a potentially explosive atmosphere of mixtures of air and **flammables gases, vapours or mists**.

Zone 20

An area where a potentially explosive atmosphere is present in the form of a **flammable dust** cloud in the air. This cloud is either permanently present or frequently present over long periods of time.

Zone 21

An area where, during normal operations, a potentially explosive atmosphere in the form of a **flammable dust** cloud in the air can occasionally form.

Zone 22

An area where, during normal operations, a potentially explosive atmosphere in the form of a **flammable dust** cloud in the air is not normally present or only present for a short time.

For the risk assessment and as well as the zoning concept described above, Ex devices themselves can be considered in an alternative process which uses the equipment protection level (EPL). These protective levels determine the internal ignition risk of a device where the sort of applied protection does not play a role.

The system of EPL classifications (Equipment Protection Level) is shown below.

Firedamp (methane) risk mines (Group I)

EPL Ma

Equipment for installation in mining applications, offering a „very high“ level of protection and which do not constitute a source of ignition during normal operation, or in the event of rarely occurring faults.

EPL Mb

Equipment for installation in a mine with a high level of protection. Has sufficient safety to ensure that there is no source of ignition in the period of time between the outbreak of gas and the time the equipment is switched off.

Gases (Group II)

EPL Ga

Equipment for explosive-risk gas atmospheres with a very high level of protection. No source of ignition is present during normal operation or when errors occur that cannot be necessarily expected on a regular basis.

EPL Gb

Equipment for explosive-risk gas atmospheres with a high level of protection. No source of ignition is present during normal operation or when errors occur that cannot be necessarily expected on a regular basis.

EPL Gc

Equipment for explosive-risk gas atmospheres with an elevated level of protection. No source of ignition is present during normal operation and it can have additional safeguards to ensure that none is present during faults which happen regularly (e. g. failure of a lamp).

Dust (Group III)

EPL Da

Equipment for combustible dust atmospheres with a very high level of protection. No source of ignition is present during normal operation or in very rare faults.

EPL Db

Equipment for combustible dust atmospheres with a high level of protection. No source of ignition is present during normal operation or when errors occur that cannot be necessarily expected on a regular basis.

EPL Dc

Equipment for combustible dust atmospheres with an elevated level of protection. No source of ignition is present during normal operation and it can have additional safeguards to ensure that none is present during faults which happen regularly (e. g. failure of a lamp).

ATEX directive 94/9/EC

Article 95 of the European Community Formation Treaty deals with the equalization of laws of the Member States. The ATEX directive 94/9/EC sets out the basic requirements for health and safety protection as a directive following the new concept. It is aimed at manufacturers of equipment and components designed for used in potentially explosive atmosphere areas.

This directive had to be adopted without deviation into national law.

In Germany, this was implemented through the enactment of the Explosion Protection Regulation (11 ExVO) of the Equipment and Product Safety Law (GPSGV). It applies to all industrial potentially explosive areas, including mines, and also covers protection from dust-ignited explosions.

This directive sets out the requirements for the products depending on their equipment group and category. This is the category as set down by the ATEX directive 1999/92/EC applicable for each appropriate zone.

To prove conformity with the basic health and safety regulations, harmonised standards are used. If the requirements as laid out in the Official Journal of the EU are met, then it will be in compliance with the standard requirements for conformity (presumption of conformity). Various, mostly equivalent, protection types have been standardised harmoniously.

This conformity assessment process of the directives sets out different procedures. For device category 3, the manufacturer can perform the conformity assessment itself. For devices of categories 1 and 2, this conformity check must be carried out at a notified body in the form of a EC type-examination. In addition, quality assurance must be monitored for the devices of categories 1, 2 and 3.

Weidmüller has devices and components in its product range. Empty enclosures are components and are certified at the factory as such. Installing certified components does not create a certified equipment. To do this, additional tests must be carried out.

Weidmüller offers customer-specific devices available as certified solutions. The production of assembled enclosures is monitored by a notified body.

IECEx scheme

The IECEx scheme is an international certification scheme for products which meet the requirements of the international standards, e.g. the technical committee TC31's IEC standards.

The certificates awarded in this scheme are published on the IECEx website (www.iecex.com) as an electronic certificate. They can be viewed online and printed out.

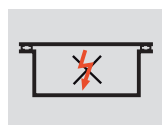
A Certificate of Conformity (CoC) refers to a test report (Ex Test Report ExTR) and on an assessment of the quality assessment report from the manufacturer (QAR).

The standards used for the production of the test report correspond almost entirely to the harmonised standards in Europe. Recent EN standards were initially adopted as IEC standards.

Protection concepts

The zoning described above provides the basis for the selection of the type of ignition protection. So, as an example, in the ATEX applicable areas, only ignition protection devices meeting Ex ia for Zone 0 (highest probability of an explosive atmosphere being present) are allowed.

Increased safety Ex e No sparks and a surface temperature limited to a safe level

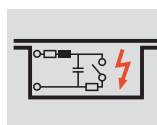


Increased safety is for products where there are no sparks produced during normal operation or in case of a failure. The surface temperature of the relevant parts is limited to a value below the ignition temperature.

Increased safety is achieved by reducing the current load and raising the isolation properties and by maintaining clearance and creepage distances above the value in an industrial application. The highest voltage permitted for this protection scheme is 11 kV (D.C. or A.C. rms).

This protection scheme is usually used for distribution cabinets.

Intrinsically safe Ex i Limited to a safe level of ignition energy

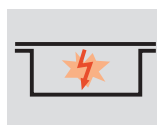


Intrinsic safety is for products where electrical energy which flows into the product, or is stored in the product, is not sufficient to ignite the surrounding explosive atmosphere. This also applies in fault conditions. The methods that achieve intrinsic safety mean that it is important that not only the devices installed in direct contact with the explosive atmosphere are constructed correctly, but also the electrical devices to which they are connected.

Intrinsically safe equipment and intrinsically safe parts of the associated equipment are divided into protection levels: ia (for zones 0, 1, and 2), ib (for zones 1 and 2), and ic (only for zone 2).

A typical application area are control and display circuits with low voltage and current.

Pressure-resistant Ex d encapsulation Limits the explosion to the inside of the enclosure



Pressure-resistant encapsulated enclosures are designed for devices where sparks are generated or which have hot surfaces which are a source of ignition during normal operation. Similarly, industrial components for use in potentially explosive atmospheres are often made suitable by encapsulating them in a pressure-resistant enclosure which otherwise could not be used.

The surrounding possibly explosive atmosphere can enter the enclosure and will produce an internal explosion during the equipment's lifespan.

The enclosure must therefore be stable enough to ensure that it is not deformed or destroyed by the pressure created. All connections of the enclosure are sized so that they cannot transmit an explosion from inside to the surrounding atmosphere. These connections are known as ignition gaps.

For this sort of ignition protection the explosion groups apply (IIA, IIB, IIC). Devices using this protection principle may not be installed in Zone 0.

Classification of explosive groups in gas Ex protection

Flammable gases, vapours or mists are divided according to their ignition resistance capacity into the explosive groups IIA, IIB and IIC. This classification is based on the respective maximum experimental safe gap (MESG) and the minimum ignition current of the gases. The lower this value, the higher the danger presented by the gases. The danger of the gas increases from IIA to IIC so that all equipment certified for use in IIC areas may also be used in IIA and IIB areas.

Explosion group	Maximum experimental safe gap (MESG)	Minimum ignition current
IIA	> 0.9 mm	> 0.8
IIB	0.5 mm to 0.9 mm	0.45 to 0.8
IIC	< 0.9 mm	< 0.45

Definition of dust ignition protection

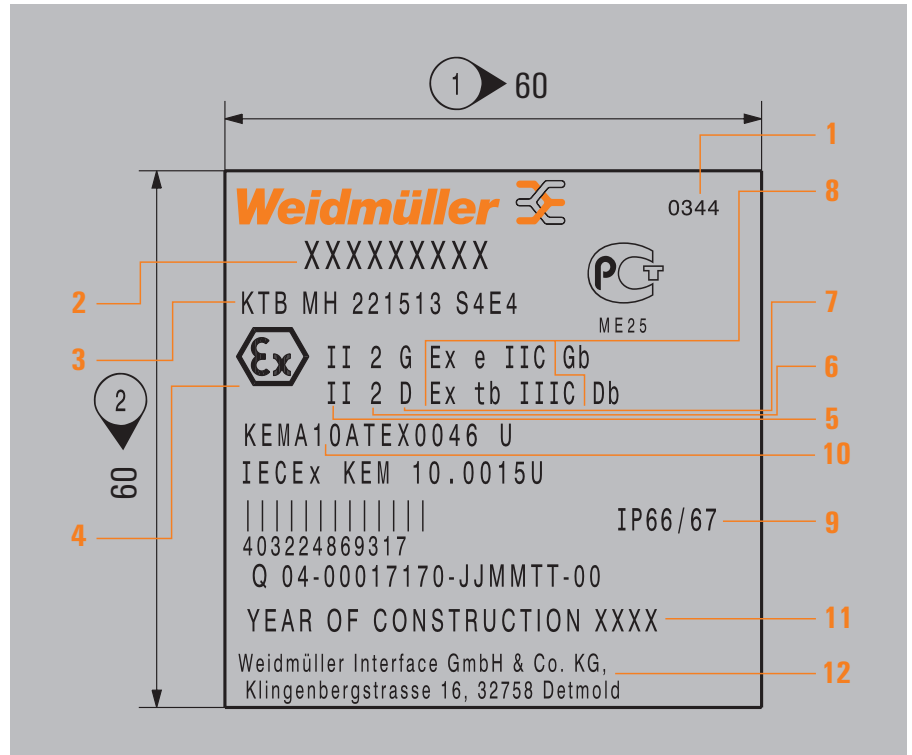
Dust refers to solid particles contained in the atmosphere, which eventually settle due to their own weight, but which for a time are present in the atmosphere as a dust-air mixture.

Classification of zones and equipment categories

Combustible ingredients	Explosive atmospheres	Zone division	Identification	
			Equipment group	Device category
Gas, mist, vapours/fumes (G / Gas)	permanent, long-term	Zone 0	II	1G
	occasionally	Zone 1	II	2G
	unlikely, short-term	Zone 2	II	3G
Dusts (D / Dust)	permanent, long-term	Zone 20	II	1D
	occasionally	Zone 21	II	2D
	unlikely, short-term	Zone 22	II	3D

Ratings plate of an Ex-certified empty enclosure

- 1 Number of the notified body
- 2 Part No.
- 3 Part designation
- 4 Ex marking
- 5 Equipment group
- 6 Device category
- 7 • G Gas (gas)
• D flammable dust
- 8 Explosion protection type
- 9 IP ingress protection class (DIN EN 60529)
- 10 EC type-examination certificate
- 11 Year of manufacture
- 12 Name and address of manufacturer



IP class of protection to DIN EN 60529

The ingress protection class or IP rating is indicated by a code consisting of the two letters IP and two digits representing the class of protection.

Example: **IP 65**
 | |
 2nd digit: protection from liquids
 1st digit: protection from solid bodies

Protection against intrusion of external particle matter (1st digit)

Code digit		
0		No protection
1		Protection against ingress of large solid bodies with diameter > 50 mm. (Protection to prevent dangerous parts being touched with the back of the hand.)
2		Protection against ingress of large solid bodies with diameter > 12.5 mm. (Protection to prevent dangerous parts being touched with the fingers.)
3		Protection against ingress of large solid bodies with diameter > 2.5 mm. (Protection to prevent dangerous parts being touched with a tool.)
4		Protection against ingress of large solid bodies with diameter > 1 mm. (Protection to prevent dangerous parts being touched with a piece of wire.)
5		Protection against harmful deposits of dust, which cannot enter in an amount sufficient to interfere with satisfactory operation.
6		Complete protection against ingress of dust.

Protection against penetration of liquids (2nd digit)

Code digit		
0		No protection
1		Protection against drops of condensed water falling vertically.
2		Protection against drops of liquid falling at an angle of 15° with respect to the vertical.
3		Protection against drops of liquid falling at an angle of 60° with respect to the vertical.
4		Protection against liquids splashed from any direction.
5		Protection against water jets projected by a nozzle from any direction.
6		Protection against water from heavy sea on ships' decks.
7		Protection against immersion in water under defined conditions of pressure and time.
8		Protection against indefinite immersion in water under defined conditions of pressure (which must be agreed between manufacturer and user and must be more adverse than number 7).

Definition of the protection degrees according to NEMA, UL and CSA

Type	NEMA	UL	CSA
Designation	National Electrical Manufacturers Association NEMA 250-1991	Underwriters Laboratories Inc. UL 50 und UL 508	Canadian Standards Association CSA-C22.2 No. 94-M91
Type 1	Enclosure predominately for indoor use. Protection against penetration by solid foreign bodies.	Enclosure predominately for indoor use. Protection against penetration by solid foreign bodies.	Enclosure for general use. Protection against accidental contact with live components.
Type 2	Enclosure predominately for indoor use. Protection against penetration by solid foreign bodies and water.	Enclosure predominately for indoor use. Protection against penetration by solid foreign bodies and water.	Enclosure for indoor use. Protection against non-corrosive drops/splashes of liquid and foreign bodies.
Type 3	Enclosure predominately for indoor use. Protection against penetration by rainfall and dust as well as damage due to ice formation.	Enclosure predominately for indoor use. Protection against penetration by rainfall and dust as well as damage due to ice formation.	Enclosure for indoor or outdoor use. Protection against penetration by rainfall and snow as well as damage due to ice formation.
Type 3R	Enclosure predominately for indoor use. Protection against rain and snow as damage due to ice-formation.	Enclosure predominately for indoor use. Protection against rain and snow as damage due to ice-formation.	Enclosure for indoor or outdoor use. Protection against penetration by rainfall and snow as well as damage due to ice formation.
Type 3S	Enclosure predominately for indoor use. Protection against rain, snow and foreign bodies. External mechanisms can be operated despite ice accumulation.	Enclosure predominately for indoor use. Protection against rain, snow and foreign bodies. External mechanisms can be operated despite ice accumulation.	Enclosure for indoor or outdoor use. Protection against rain, snow and foreign bodies. External mechanisms can be operated despite ice accumulation.
Type 4	Enclosure for indoor or outdoor use. Protection against rain, foreign bodies, splashing water and hose water as well as damage due to ice-formation on the outside of the enclosure.	Enclosure for indoor or outdoor use. Protection against rain, foreign bodies, splashing water and hose water as well as damage due to ice-formation on the outside of the enclosure.	Enclosure for indoor or outdoor use. Protection against rain, snow, foreign bodies, splashing water and hose water as well as damage due to ice-formation on the outside of the enclosure.
Type 4X	Enclosure for indoor or outdoor use. Protection against corrosion, rain, foreign bodies, splashing water and hose water as well as damage due to ice-formation on the outside of the enclosure.	Enclosure for indoor or outdoor use. Protection against corrosion, rain, foreign bodies, splashing water and hose water as well as damage due to ice-formation on the outside of the enclosure.	Enclosure for indoor or outdoor use. Protection against rain, foreign bodies, splashing water and hose water as well as damage due to ice-formation on the outside of the enclosure.
Type 6	Enclosure for indoor or outdoor use. Protection against hose water as well as against penetration by water during immersion; protection damage due to ice formation on the outside of the enclosure.	Enclosure for indoor or outdoor use. Protection against hose water as well as against penetration by water during immersion; protection damage due to ice formation on the outside of the enclosure.	Enclosure for indoor or outdoor use. Protection against penetration by water during immersion; protection damage due to ice formation on the outside of the enclosure.
Type 12	Enclosure for indoor use. Protection against dust accumulation, foreign bodies and non-corrosive drops of liquids.	Enclosure for indoor use. Protection against dust accumulation, foreign bodies and non-corrosive drops of liquids.	Enclosure for indoor or outdoor use. Protection against a build-up of dust, fibres and foreign bodies as well as against non-corrosive liquid drips, without pre-formed openings.
Type 13	Enclosure for indoor use. Protection against dust build-up, splashing water, oil, and non-corrosive coolants.	Enclosure for indoor use. Protection against dust build-up, splashing water, oil, and non-corrosive coolants.	Enclosure for indoor or outdoor use. Protection against a build-up of dust, fibres and foreign bodies as well as against non-corrosive liquid sprays including oil and coolants.

Index

Index	Index Type	X.2
	Index Order No.	X.8
	Addresses worldwide	X.16

Type	Order No.	Page
A		
ADAP EX 1 1/2-1 1/2NPT	1738910000	C.67
ADAP EX 1 1/2NPT-1/4	1738800000	C.67
ADAP EX 1 1/2NPT-1/2NPT	1738370000	C.67
ADAP EX 1 1/2NPT-1NPT	1738680000	C.67
ADAP EX 1 1/2NPT-3/4NPT	1738530000	C.67
ADAP EX 1 1/4-1 1/4NPT	1738810000	C.67
ADAP EX 1 1/4NPT-1 1/2	1738920000	C.67
ADAP EX 1 1/4NPT-1/2NPT	1738380000	C.67
ADAP EX 1 1/4NPT-1NPT	1738690000	C.67
ADAP EX 1 1/4NPT-3/4NPT	1738540000	C.67
ADAP EX 1/2NPT-3/4NPT	1738570000	C.67
ADAP EX 1/2NPT-M16	1737490000	C.67
ADAP EX 1/2NPT-M20	1737650000	C.67
ADAP EX 1/2NPT-M25	1737810000	C.67
ADAP EX 1NPT-1 1/4NPT	1738820000	C.67
ADAP EX 1NPT-1/2NPT	1738390000	C.67
ADAP EX 1NPT-1NPT	1738700000	C.67
ADAP EX 1NPT-3/4NPT	1738550000	C.67
ADAP EX 1NPT-M20	1737630000	C.67
ADAP EX 1NPT-M25	1737790000	C.67
ADAP EX 1NPT-M40	1738070000	C.67
ADAP EX 2 1/2-2 1/2NPT	1739050000	C.67
ADAP EX 2 1/2NPT-1 1/2	1738890000	C.67
ADAP EX 2 1/2NPT-1 1/4	1738780000	C.67
ADAP EX 2 1/2NPT-1/2	1738350000	C.67
ADAP EX 2 1/2NPT-1NPT	1738660000	C.67
ADAP EX 2 1/2NPT-2NPT	1738980000	C.67
ADAP EX 2 1/2NPT-3/4NPT	1738510000	C.67
ADAP EX 2 1/2NPT-3NPT	1739100000	C.67
ADAP EX 2 1/2NPT-M16	1737430000	C.67
ADAP EX 2 1/2NPT-M20	1737590000	C.67
ADAP EX 2 1/2NPT-M25	1737550000	C.67
ADAP EX 2 1/2NPT-M32	1737900000	C.67
ADAP EX 2 1/2NPT-M40	1738030000	C.67
ADAP EX 2 1/2NPT-M50	1738140000	C.67
ADAP EX 2 1/2NPT-M63	1738230000	C.67
ADAP EX 2 1/2NPT-M75	1738300000	C.67
ADAP EX 2NPT-1 1/2NPT	1738900000	C.67
ADAP EX 2NPT-1 1/4NPT	1738790000	C.67
ADAP EX 2NPT-1/2NPT	1738360000	C.67
ADAP EX 2NPT-1NPT	1738670000	C.67
ADAP EX 2NPT-2 1/2NPT	1739060000	C.67
ADAP EX 2NPT-2NPT	1738990000	C.67
ADAP EX 2NPT-3/4NPT	1738520000	C.67
ADAP EX 2NPT-M16	1737440000	C.67
ADAP EX 2NPT-M20	1737600000	C.67
ADAP EX 2NPT-M25	1737760000	C.67
ADAP EX 2NPT-M32	1737910000	C.67
ADAP EX 2NPT-M40	1738040000	C.67
ADAP EX 2NPT-M50	1738150000	C.67
ADAP EX 2NPT-M63	1738240000	C.67
ADAP EX 2NPT-M75	1738310000	C.67
ADAP EX 3/4NPT-1/2NPT	1738400000	C.67
ADAP EX 3/4NPT-3/4NPT	1738560000	C.67
ADAP EX 3/4NPT-M20	1737640000	C.67
ADAP EX 3/4NPT-M25	1737800000	C.67
ADAP EX 3/4NPT-M32	1737950000	C.67
ADAP EX 3NPT-1 1/2NPT	1738880000	C.67
ADAP EX 3NPT-1 1/4NPT	1738770000	C.67
ADAP EX 3NPT-1/2NPT	1738340000	C.67
ADAP EX 3NPT-1NPT	1738650000	C.67
ADAP EX 3NPT-2 1/2NPT	1739040000	C.67
ADAP EX 3NPT-2NPT	1738970000	C.67
ADAP EX 3NPT-3/4NPT	1738500000	C.67
ADAP EX 3NPT-3NPT	1739090000	C.67
ADAP EX 3NPT-M16	1737420000	C.67
ADAP EX 3NPT-M20	1737580000	C.67
ADAP EX 3NPT-M25	1737740000	C.67
ADAP EX 3NPT-M32	1737890000	C.67
ADAP EX 3NPT-M40	1738020000	C.67
ADAP EX 3NPT-M50	1738130000	C.67
ADAP EX 3NPT-M63	1738220000	C.67
ADAP EX 3NPT-M75	1738290000	C.67
ADAP EX M16-M20	1737730000	C.68
ADAP EX M20-1/2NPT	1738480000	C.68
ADAP EX M20-3/4NPT	1738640000	C.68
ADAP EX M20-M16	1737560000	B.154
ADAP EX M20-M20	1737720000	C.68
ADAP EX M20-M25	1737880000	C.68
ADAP EX M25-1NPT	1738760000	C.68
ADAP EX M25-3/4NPT	1738630000	C.68
ADAP EX M25-M16	1737550000	C.68
ADAP EX M25-M20	1737710000	C.68
ADAP EX M25-M32	1738010000	C.68
ADAP EX M32-1 1/4NPT	1738870000	C.68
ADAP EX M32-1/2NPT	1738460000	C.68
ADAP EX M32-1NPT	1738750000	C.68
ADAP EX M32-M16	1737540000	C.68
ADAP EX M32-M20	1737700000	C.68
ADAP EX M32-M25	1737860000	C.68
ADAP EX M32-M40	1738120000	C.68
ADAP EX M40-1/2NPT	1738450000	C.68
ADAP EX M40-1NPT	1738740000	C.68
ADAP EX M40-3/4NPT	1738610000	C.68
ADAP EX M40-M16	1737530000	C.68
ADAP EX M40-M20	1737690000	C.68
ADAP EX M40-M25	1737850000	C.68

Type	Order No.	Page
B		
ADAP EX M40-M32	1737990000	C.68
ADAP EX M40-M40	1738110000	C.68
ADAP EX M40-M50	1738210000	C.68
ADAP EX M50-1 1/4NPT	1738850000	C.68
ADAP EX M50-1/2NPT	1738440000	C.68
ADAP EX M50-1NPT	1738790000	C.68
ADAP EX M50-3/4NPT	1738600000	C.68
ADAP EX M50-M16	1737520000	C.68
ADAP EX M50-M20	1737880000	C.68
ADAP EX M50-M25	1737840000	C.68
ADAP EX M50-M32	1737980000	C.68
ADAP EX M50-M40	1738100000	C.68
ADAP EX M50-M63	1738280000	C.68
ADAP EX M63-1 1/2NPT	1738940000	C.68
ADAP EX M63-1/4NPT	1738840000	C.68
ADAP EX M63-1/2NPT	1738430000	C.68
ADAP EX M63-1NPT	1738720000	C.68
ADAP EX M63-2 1/2NPT	1739080000	C.68
ADAP EX M63-3/4NPT	1738590000	C.68
ADAP EX M63-M16	1737510000	C.68
ADAP EX M63-M20	1737670000	C.68
ADAP EX M63-M25	1737830000	C.68
ADAP EX M63-M32	1737970000	C.68
ADAP EX M63-M40	1738090000	C.68
ADAP EX M63-M50	1738190000	C.68
ADAP EX M63-M75	1738330000	C.68
ADAP EX M75-1 1/2NPT	1738930000	C.68
ADAP EX M75-1 1/4NPT	1738830000	C.68
ADAP EX M75-1/2NPT	1738420000	C.68
ADAP EX M75-1NPT	1738710000	C.68
ADAP EX M75-2 1/2NPT	1739070000	C.68
ADAP EX M75-2NPT	1739010000	C.68
ADAP EX M75-3/4NPT	1738580000	C.68
ADAP EX M75-3NPT	1739110000	C.68
ADAP EX M75-M16	1737500000	C.68
ADAP EX M75-M20	1737660000	C.68
ADAP EX M75-M25	1737820000	C.68
ADAP EX M75-M32	1737960000	C.68
ADAP EX M75-M40	1738080000	C.68
ADAP EX M75-M50	1738180000	C.68
ADAP EX M75-M63	1738260000	C.68
ADAPAP EX 1/2NPT-1/2NPT	1738410000	C.67

B		
BD 1 brass	3080760000	C.71
BD 1 ss	3080770000	C.71
BK 4/E	7906080000	B.150

Type	Order No.	Page
C		
CABTITE KEL 16/2	1825860000	D.5
CABTITE KEL 16/4	1825900000	D.5
CABTITE KEL 16/4 EMV	1825750000	D.8
CABTITE KEL 16/5	1849770000	D.5
CABTITE KEL 16/8	1825910000	D.5
CABTITE KEL 24/10	1827760000	D.5
CABTITE KEL 24/4	1825830000	D.5
CABTITE KEL 24/5	1825940000	D.5
CABTITE KEL 24/5 EMV	1825760000	D.8
CABTITE KEL 24/7	1849760000	D.5
CABTITE KEL B1	1048170000	D.6
CABTITE KEL B4	1048180000	D.6
CABTITE KEL SNAP 16	1827770000	D.5
CABTITE KEL SNAP 24	1827780000	D.5
CABTITE KEL SNAP B4	1048190000	D.6
CABTITE KEL-DP 24/14	1039850000	D.7
CABTITE KEL-DP 24/17	1039870000	D.7
CABTITE KEL-DP 24/19	1039890000	D.7
CABTITE KEL-DP 24/26	1039930000	D.7
CABTITE KEL-DP 24/48	1039940000	D.7
CABTITE KEL-DP 24/50	1039950000	D.7
CABTITE KEL-DP 32/10	1040310000	D.7
CABTITE KEL-DP 32/10/2	1040120000	D.7
CABTITE KEL-DP 50/12	1040330000	D.7
CABTITE KEL-DP 50/12/2	1040160000	D.7
CABTITE KEL-DP 50/16	1040350000	D.7
CABTITE KEL-DP 50/16/2	1040180000	D.7
CABTITE KEL-DP 50/18	1040360000	D.7
CABTITE KEL-DP 50/18/2	1040210000	D.7
CABTITE KEL-DP 50/20	1040370000	D.7
CABTITE KEL-DP 50/20/2	1040240000	D.7
CABTITE KEL-DP 50/9	1040320000	D.7
CABTITE KEL-DP 50/9/2	1040130000	D.7
CABTITE KT 10	1826350000	D.3
CABTITE KT 10 b	1827870000	D.3
CABTITE KT 11	1826540000	D.3
CABTITE KT 11 b	1827880000	D.3
CABTITE KT 12	1826550000	D.3
CABTITE KT 12 b	1827890000	D.3
CABTITE KT 13	1826560000	D.3
CABTITE KT 13 b	1827900000	D.3
CABTITE KT 14	1826570000	D.3
CABTITE KT 14 b	1827910000	D.3
CABTITE KT 15	1826580000	D.3
CABTITE KT 15 b	1827920000	D.3
CABTITE KT 16	1825950000	D.3
CABTITE KT 16 b	1827950000	D.3
CABTITE KT 17	1826300000	D.3

Type	Order No.	Page
D		
CABTITE KT 17 b	1827960000	D.3
CABTITE KT 18	1826310000	D.3
CABTITE KT 18 b	1827970000	D.3
CABTITE KT 19	1826320000	D.3
CABTITE KT 19 b	1827980000	D.3
CABTITE KT 2/4	1826620000	D.3
CABTITE KT 2/4 b	1828130000	D.3
CABTITE KT 2/5	1826630000	D.3
CABTITE KT 2/5 b	1828140000	D.3
CABTITE KT 2/6	1826640000	D.3
CABTITE KT 2/6 b	1828150000	D.3
CABTITE KT 20	1826330000	D.3
CABTITE KT 20 b	1827990000	D.3
CABTITE KT 21	1826340000	D.3
CABTITE KT 21 b	1828000000	D.3
CABTITE KT 22	1826350000	D.3
CABTITE KT 22 b	1828010000	D.3
CABTITE KT 23	1826360000	D.3
CABTITE KT 23 b	1828020000	D.3
CABTITE KT 24	1826370000	D.3
CABTITE KT 24 b	1828030000	D.3
CABTITE KT 25	1826380000	D.3
CABTITE KT 25 b	1828040000	D.3
CABTITE KT 26	1826390000	D.3
CABTITE KT 26 b	1828050000	D.3
CABTITE KT 27	1826400000	D.3
CABTITE KT 27 b	1828060000	D.3
CABTITE KT 28	1826410000	D.3
CABTITE KT 28 b	1828070000	D.3
CABTITE KT 29	1826420000	D.3
CABTITE KT 29 b	1828080000	D.3
CABTITE KT 3	1826460000	D.3
CABTITE KT 3 b	1827790000	D.3
CABTITE KT 30	1826430000	D.3
CABTITE KT 30 b	1828090000	D.3
CABTITE KT 32	1826440000	D.3
CABTITE KT 32 b	1828100000	D.3
CABTITE KT 34	1826450000	D.3
CABTITE KT 34 b	1828110000	D.3
CABTITE KT 4	1826470000	D.3
CABTITE KT 4 b	1827800000	D.3
CABTITE KT 4/5	1826650000	D.3
CABTITE KT 4/5 b	1828160000	D.3
CABTITE KT 5	1826480000	D.3
CABTITE KT 5 b	1827810000	D.3
CABTITE KT 6	1826490000	D.3
CABTITE KT 6 b	1827830000	D.3
CABTITE KT 7	1826500000	D.3
CABTITE KT 7 b	1827840000	D.3
CABTITE KT 8	1826510000	D.3
CABTITE KT 8 b	1827850000	D.3
CABTITE KT 9	1826520000	D.3
CABTITE KT 9 b	1827860000	D.3
CABTITE KT ASI	1826610000	D.3
CABTITE KT ASI b	1828120000	D.3
CABTITE KT ATG	1828190000	D.3
CABTITE KT ATG b	1828220000	D.3
CABTITE KT BTG	1828180000	D.3
CABTITE KT BTG b	1828210000	D.3
CABTITE KT BTK	1828170000	D.3
CABTITE KT BTK b	1828200000	D.3
CABTITE Kts 16	1826590000	D.3
CABTITE Kts 16 b	1827930000	D.3
CABTITE Kts 17	1826600000	D.3
CABTITE Kts 17 b	1827940000	D.3
CABTITE KV T 25	1826660000	D.10
CABTITE KV T 32	1826670000	D.10
CABTITE KV T 63-1	1828240000	D.10
CABTITE KV T 63-4	1828230000	D.10
CABTITE KZL 140 C	1040030000	D.9
CABTITE KZL 140 TS39	1039960000	D.9
CABTITE KZL 39 C	1040080000	D.9
CABTITE KZL 39 TS35	1039990000	D.9
CABTITE KZL 80 C	1040060000	D.9
CABTITE KZL 80 TS35	1039970000	D.9
Cabrite Sample Kit	1849780000	D.2
CABTITE SUBD9	1828250000	D.10
CROSS-KEY MASTER	9918150000	E.23
CROSS-KEY UNIVERSAL	9918130000	E.23
CROSS-KEY UNIVERSAL S	9918140000	E.23

D		
DAE M12 PA long	1868570000	C.69
DAE M12 PA short	1868560000	C.69
DAE M12 SS	1868550000	C.70
DEMC M6X14 KTB SET	1253230000	B.15
DMS MANUELL 0,5-1,7	9918370000	E.11
DMS MANUELL 2,0-8,0	9918380000	E.11
DMSI MANUELL 0,5-1,7	9918390000	E.12
DMSI MANUELL 2,0-8		

Type	Order No.	Page
IE-KOK-V4	1966790000	E.6
IE-KOK-V5	9204790000	E.6
IS 2 KG	1806630000	E.22
IS 3 KG	1806650000	E.22
IS 4 DIN 6911	0485100000	E.22
IS 4 KG	1806660000	E.22
IS 6 DIN 6911	0407900000	E.22
IS 8 DIN 6911	0235000000	E.22

K

KDSU M20 BN 0 NI 1 G16	1083280000	C.31
KDSU M20 BN 0 NI 1 G20	1083290000	C.31
KDSU M20 BN 0 NI 1 G20S	1083290000	C.31
KDSU M20 BN 0 NI 2 G16	1911380000	C.31
KDSU M20 BN 0 NI 2 G20	1911400000	C.31
KDSU M20 BN 0 NI 2 G20S	1911390000	C.31
KDSU M20 BN 0 SC 1 G16	1076120000	C.30
KDSU M20 BN 0 SC 1 G20	1076140000	C.30
KDSU M20 BN 0 SC 1 G20S	1076130000	C.30
KDSU M20 BN 0 SC 2 G16	1909260000	C.30
KDSU M20 BN 0 SC 2 G20	1909300000	C.30
KDSU M20 BN 0 SC 2 G20S	1909290000	C.30
KDSU M20 BS 0 NI 1 G16	0930001221	C.33
KDSU M20 BS 0 NI 1 G20	0930011221	C.33
KDSU M20 BS 0 NI 1 G20S	0930011223	C.33
KDSU M20 BS 0 NI 2 G16	0930001222	C.33
KDSU M20 BS 0 NI 2 G20	0930021222	C.33
KDSU M20 BS 0 NI 2 G20S	0930011224	C.33
KDSU M20 BS 0 SC 1 G16	0930001211	C.32
KDSU M20 BS 0 SC 1 G20	0930021211	C.32
KDSU M20 BS 0 SC 1 G20S	0930011213	C.32
KDSU M20 BS 0 SC 2 G16	0930001212	C.32
KDSU M20 BS 0 SC 2 G20	0930021212	C.32
KDSU M20 BS 0 SC 2 G20S	0930011214	C.32
KDSU M25 BN 0 NI 1 G25	1083330000	C.31
KDSU M25 BN 0 NI 2 G25	1911420000	C.31
KDSU M25 BN 0 SC 1 G25	1076150000	C.30
KDSU M25 BN 0 SC 2 G25	1909310000	C.30
KDSU M25 BS 0 NI 1 G25	0930031221	C.33
KDSU M25 BS 0 NI 2 G25	0930031222	C.33
KDSU M25 BS 0 SC 1 G25	0930031211	C.32
KDSU M25 BS 0 SC 2 G25	0930031212	C.32
KDSU M32 BN 0 NI 1 G32	1083340000	C.31
KDSU M32 BN 0 NI 2 G32	1911430000	C.31
KDSU M32 BN 0 SC 1 G32	1076160000	C.30
KDSU M32 BN 0 SC 2 G32	1909320000	C.30
KDSU M32 BS 0 NI 1 G32	0930041221	C.33
KDSU M32 BS 0 NI 2 G32	0930041222	C.33
KDSU M32 BS 0 SC 1 G32	0930041211	C.32
KDSU M32 BS 0 SC 2 G32	0930041212	C.32
KDSU M40 BN 0 NI 1 G40	1083350000	C.31
KDSU M40 BN 0 NI 2 G40	1911440000	C.31
KDSU M40 BN 0 SC 1 G40	1076170000	C.30
KDSU M40 BN 0 SC 2 G40	1909330000	C.30
KDSU M40 BS 0 NI 1 G40	1136990000	C.33
KDSU M40 BS 0 NI 2 G40	0930051222	C.33
KDSU M40 BS 0 SC 1 G40	1136870000	C.32
KDSU M40 BS 0 SC 2 G40	0930051212	C.32
KDSU M50 BN 0 NI 1 G50	1083370000	C.31
KDSU M50 BN 0 NI 1 G50S	1083360000	C.31
KDSU M50 BN 0 NI 2 G50	1911460000	C.31
KDSU M50 BN 0 NI 2 G50S	1911450000	C.31
KDSU M50 BS 0 NI 1 G50	1076190000	C.30
KDSU M50 BS 0 NI 1 G50S	1076180000	C.30
KDSU M50 BS 0 NI 2 G50	1909350000	C.30
KDSU M50 BS 0 NI 2 G50S	1909340000	C.30
KDSU M50 BS 0 NI 1 G50	1137010000	C.33
KDSU M50 BS 0 NI 1 G50S	1137000000	C.33
KDSU M50 BS 0 NI 2 G50	1137020000	C.33
KDSU M50 BS 0 NI 2 G50S	0930061224	C.33
KDSU M50 BS 0 SC 1 G50	1136890000	C.32
KDSU M50 BS 0 SC 1 G50S	0930061213	C.32
KDSU M50 BS 0 SC 2 G50	1136910000	C.32
KDSU M50 BS 0 SC 2 G50S	1136880000	C.32
KDSU M63 BN 0 NI 1 G63	1083390000	C.31
KDSU M63 BN 0 NI 1 G63S	1083380000	C.31
KDSU M63 BN 0 NI 2 G63	1911490000	C.31
KDSU M63 BN 0 NI 2 G63S	1911480000	C.31
KDSU M63 BN 0 SC 1 G63	1076210000	C.30
KDSU M63 BN 0 SC 1 G63S	1076200000	C.30
KDSU M63 BN 0 SC 2 G63	1909370000	C.30
KDSU M63 BN 0 SC 2 G63S	1909360000	C.30
KDSU M63 BS 0 NI 1 G63	1137050000	C.33
KDSU M63 BS 0 NI 1 G63S	1137030000	C.33
KDSU M63 BS 0 NI 2 G63	0930091222	C.33
KDSU M63 BS 0 NI 2 G63S	1137040000	C.33
KDSU M63 BS 0 SC 1 G63	1136940000	C.32
KDSU M63 BS 0 SC 1 G63S	1136920000	C.32
KDSU M63 BS 0 SC 2 G63	1136950000	C.32
KDSU M63 BS 0 SC 2 G63S	1136930000	C.32
KDSU M75 BN 0 NI 1 G75	1083420000	C.31
KDSU M75 BN 0 NI 1 G75S	1083400000	C.31
KDSU M75 BN 0 NI 2 G75	1083430000	C.31
KDSU M75 BN 0 NI 2 G75S	1083410000	C.31
KDSU M75 BN 0 SC 1 G75	1076240000	C.30
KDSU M75 BN 0 SC 1 G75S	1076220000	C.30
KDSU M75 BN 0 SC 2 G75	1076260000	C.30
KDSU M75 BN 0 SC 2 G75S	1076230000	C.30

Type	Order No.	Page
KDSU M75 BS 0 NI 1 G75	1137080000	C.33
KDSU M75 BS 0 NI 1 G75S	1137060000	C.33
KDSU M75 BS 0 NI 2 G75	1137090000	C.33
KDSU M75 BS 0 NI 2 G75S	1137070000	C.33
KDSU M75 BS 0 SC 1 G75	1136980000	C.32
KDSU M75 BS 0 SC 1 G75S	1136960000	C.32
KDSU M75 BS 0 SC 2 G75	0930111212	C.32
KDSU M75 BS 0 SC 2 G75S	1136970000	C.32
KDSW M20 BN L NI 1 G16	1074660000	C.39
KDSW M20 BN L NI 1 G20	1074760000	C.39
KDSW M20 BN L NI 1 G20S	1074720000	C.39
KDSW M20 BN L NI 2 G16	1074690000	C.39
KDSW M20 BN L NI 2 G20	1074780000	C.39
KDSW M20 BN L NI 2 G20S	1074740000	C.39
KDSW M20 BN L SC 1 G16	1076250000	C.38
KDSW M20 BN L SC 1 G20	1076300000	C.38
KDSW M20 BN L SC 1 G20S	1076280000	C.38
KDSW M20 BN L SC 2 G16	1076270000	C.38
KDSW M20 BN L SC 2 G20	1076310000	C.38
KDSW M20 BN L SC 2 G20S	1076290000	C.38
KDSW M20 BN 0 NI 1 G16	1075030000	C.35
KDSW M20 BN 0 NI 1 G20	1075070000	C.35
KDSW M20 BN 0 NI 1 G20S	1075050000	C.35
KDSW M20 BN 0 NI 2 G16	1075040000	C.35
KDSW M20 BN 0 NI 2 G20	1075080000	C.35
KDSW M20 BN 0 NI 2 G20S	1075060000	C.35
KDSW M20 BN 0 SC 1 G16	1074480000	C.34
KDSW M20 BN 0 SC 1 G20	1074520000	C.34
KDSW M20 BN 0 SC 1 G20S	1074500000	C.34
KDSW M20 BN 0 SC 2 G16	1074530000	C.34
KDSW M20 BN 0 SC 2 G20	1074510000	C.34
KDSW M20 BS 0 NI 1 G16	1136410000	C.37
KDSW M20 BS 0 NI 1 G20	1136450000	C.37
KDSW M20 BS 0 NI 1 G20S	1136430000	C.37
KDSW M20 BS 0 NI 2 G16	1136420000	C.37
KDSW M20 BS 0 NI 2 G20	1136460000	C.37
KDSW M20 BS 0 NI 2 G20S	1136440000	C.37
KDSW M20 BS 0 SC 1 G16	1136160000	C.36
KDSW M20 BS 0 SC 1 G20	1136200000	C.36
KDSW M20 BS 0 SC 1 G20S	1136180000	C.36
KDSW M20 BS 0 SC 2 G16	1136170000	C.36
KDSW M20 BS 0 SC 2 G20	1136210000	C.36
KDSW M20 BS 0 SC 2 G20S	1136190000	C.36
KDSW M20BN 0 SC 2 G16	1074490000	C.34
KDSW M25 BN L NI 1 G25	1074810000	C.39
KDSW M25 BN L NI 2 G25	1074830000	C.39
KDSW M25 BN L SC 1 G25	1076320000	C.38
KDSW M25 BN L SC 2 G25	1076330000	C.38
KDSW M25 BN 0 NI 1 G25	1075090000	C.35
KDSW M25 BN 0 NI 2 G25	1075110000	C.35
KDSW M25 BN 0 SC 1 G25	1074540000	C.34
KDSW M25 BN 0 SC 2 G25	1074550000	C.34
KDSW M25 BS 0 NI 1 G25	1136470000	C.37
KDSW M25 BS 0 NI 2 G25	1136480000	C.37
KDSW M25 BS 0 SC 1 G25	1136220000	C.36
KDSW M25 BS 0 SC 2 G25	1136230000	C.36
KDSW M32 BN L NI 1 G32	1074850000	C.39
KDSW M32 BN L NI 2 G32	1074860000	C.39
KDSW M32 BN L SC 1 G32	1076340000	C.38
KDSW M32 BN L SC 2 G32	1076350000	C.38
KDSW M32 BN 0 NI 1 G32	1075120000	C.35
KDSW M32 BN 0 NI 2 G32	1075130000	C.35
KDSW M32 BN 0 SC 1 G32	1074570000	C.34
KDSW M32 BN 0 SC 2 G32	1074580000	C.34
KDSW M32 BS 0 NI 1 G32	1136490000	C.37
KDSW M32 BS 0 NI 2 G32	1136510000	C.37
KDSW M32 BS 0 SC 1 G32	1136240000	C.36
KDSW M32 BS 0 SC 2 G32	1136250000	C.36
KDSW M32 BN L NI 1 G40	1074870000	C.39
KDSW M40 BN L NI 2 G40	1074880000	C.39
KDSW M40 BN L SC 1 G40	1076360000	C.38
KDSW M40 BN L SC 2 G40	1076370000	C.38
KDSW M40 BN 0 NI 1 G40	1075140000	C.35
KDSW M40 BN 0 NI 2 G40	1075150000	C.35
KDSW M40 BN 0 SC 1 G40	1074590000	C.34
KDSW M40 BN 0 SC 2 G40	1074610000	C.34
KDSW M40 BS 0 NI 1 G40	1136520000	C.37
KDSW M40 BS 0 NI 2 G40	1136530000	C.37
KDSW M40 BS 0 SC 1 G40	1136260000	C.36
KDSW M40 BS 0 SC 2 G40	1136270000	C.36
KDSW M50 BN L NI 1 G50	1074920000	C.39
KDSW M50 BN L NI 1 G50S	1074890000	C.39
KDSW M50 BN L NI 2 G50	1074930000	C.39
KDSW M50 BN L NI 2 G50S	1074910000	C.39
KDSW M50 BN L SC 1 G50	1076400000	C.38
KDSW M50 BN L SC 1 G50S	1076380000	C.38
KDSW M50 BN L SC 2 G50	1076410000	C.38
KDSW M50 BN L SC 2 G50S	1076390000	C.38
KDSW M50 BN 0 NI 1 G50	1075180000	C.35
KDSW M50 BN 0 NI 1 G50S	1075170000	C.35
KDSW M50 BN 0 NI 2 G50	1075190000	C.35
KDSW M50 BN 0 NI 2 G50S	1075180000	C.35
KDSW M50 BN 0 SC 1 G50	1074640000	C.34
KDSW M50 BN 0 SC 1 G50S	1074620000	C.34
KDSW M50 BN 0 SC 2 G50	1074650000	C.34
KDSW M50 BN 0 SC 2 G50S	1074630000	C.34
KDSW M50 BS 0 NI 1 G50	1136560000	C.37
KDSW M50 BS 0 NI 1 G50S	1136540000	C.37
KDSW M50 BS 0 NI 2 G50	1136570000	C.37

Type	Order No.	Page
KDSX M50 BS 0 NI 2 G50S	1136550000	C.37
KDSX M50 BS 0 SC 1 G50	1136310000	C.36
KDSX M50 BS 0 SC 1 G50S	1136280000	C.36
KDSX M50 BS 0 SC 2 G50	1136320000	C.36
KDSX M50 BS 0 SC 2 G50S	1136290000	C.36
KDSX M63 BN L NI 1 G63	1074960000	C.39
KDSX M63 BN L NI 1 G63S	1074940000	C.39
KDSX M63 BN L NI 2 G63	1074970000	C.39
KDSX M63 BN L NI 2 G63S	1074950000	C.39
KDSX M63 BN L SC 1 G63	1076440000	C.38
KDSX M63 BN L SC 1 G63S	1076420000	C.38
KDSX M63 BN L SC 2 G63	1076450000	C.38
KDSX M63 BN L SC 2 G63S	1076430000	C.38
KDSX M63 BN 0 NI 1 G63	1075230000	C.35
KDSX M63 BN 0 NI 1 G63S	1075210000	C.35
KDSX M63 BN 0 NI 2 G63	1075240000	C.35
KDSX M63 BN 0 NI 2 G63S	1075220000	C.35
KDSX M63 BN 0 SC 1 G63	1074730000	C.34
KDSX M63 BN 0 SC 1 G63S	1074700000	C.34
KDSX M63 BN 0 SC 2 G63	1074750000	C.34
KDSX M63 BN 0 SC 2 G63S	1074710000	C.34
KDSX M63 BS 0 NI 1 G63	1136600000	C.37
KDSX M63 BS 0 NI 1 G63S	1136580000	C.37
KDSX M63 BS 0 NI 2 G63	1136610000	C.37
KDSX M63 BS 0 NI 2 G63S	1136590000	C.37
KDSX M63 BS 0 SC 1 G63	1136350000	C.36
KDSX M63 BS 0 SC 1 G63S	1136330000	C.36
KDSX M63 BS 0 SC 2 G63	1136360000	C.36
KDSX M63 BS 0 SC 2 G63S	1136340000	C.36
KDSX M63 BS 0 SC 2 G63S	1136340000	C.36
KDSX M75 BN L NI 1 G75	1074980000	C.39
KDSX M75 BN L NI 2 G75	1075020000	C.39
KDSX M75 BN L NI 2 G75S	1074990000	C.39
KDSX M75 BN L SC 1 G75	1076480000	C.38
KDSX M75 BN L SC 1 G75S	1076460000	C.38
KDSX M75 BN L SC 2 G75	1076490000	C.38
KDSX M75 BN L SC 2 G75S	1076470000	C.38
KDSX M75 BN 0 NI 1 G75	1075270000	C.35
KDSX M75 BN 0 NI 1 G75S	1075250000	C.35
KDSX M75 BN 0 NI 2 G75	1075280000	C.35
KDSX M75 BN 0 NI 2 G75S	1075260000	C.35
KDSX M75 BN 0 SC 1 G75	1074820000	C.34
KDSX M75 BN 0 SC 1 G75S	1074770000	C.34
KDSX M75 BN 0 SC 2 G75	1074840000	C.34
KDSX M75 BN 0 SC 2 G75S	1074900000	C.34
KDSX M75 BS 0 NI 1 G75	1136640000	C.37
KDSX M75 BS 0 NI 1 G75S	1136620000	C.37
KDSX M75 BS 0 NI 2 G75	1136650000	C.37
KDSX M75 BS 0 NI 2 G75S	1136630000	C.37
KDSX M75 BS 0 SC 1 G75	1136390000	C.36
KDSX M75 BS 0 SC 1 G75S	1136370000	C.36
KDSX M75 BS 0 SC 2 G75	1136400000	C.36
KDSX M75 BS 0 SC 2 G75S	1136380000	C.36
KDSX M20 BS 0 NI 1 G16	1135910000	C.41
KDSX M20 BS 0 NI 1 G20	1135950000	C.41
KDSX M20 BS 0 NI 1 G20S	1135930000	C.41
KDSX M20 BS 0 NI 2 G16	1135920000	C.41
KDSX M20 BS 0 NI 2 G20	1135960000	C.41
KDSX M20 BS 0 NI 2 G20S	1135940000	C.41
KDSX M20 BS 0 SC 1 G16	1135650000	C.40
KDSX M20 BS 0 SC 1 G20	1135690000	C.40
KDSX M20 BS 0 SC 1 G20S	1135670000	C.40
KDSX M20 BS 0		

Type	Order No.	Page	Type	Order No.	Page	Type	Order No.	Page	Type	Order No.	Page
KLIPPON K3 VMQ RAL7001	1937900000	B.137	KLIPPON POK1 2M16AB CSS	8000004160	B.184	KSG M40 BN 0 NI 2 G40	1911590000	C.42	KSWN M75	1076670000	C.53
KLIPPON K31	0573500000	B.138	KLIPPON POK1 2M16AB CSS	8000004160	B.186	KSG M40 BN 0 SC 2 G40	1909440000	C.42	KTB FS 221513 S4E1	1195660000	B.67
KLIPPON K31 4M20AB CSS	8000004154	B.138	KLIPPON POK1 M16ACSS EX	8000004223	B.184	KSG M40 BS 0 NI 2 G40	0930531222	C.43	KTB FS 221513 S4E2	1195670000	B.67
KLIPPON K31 EX	9526890000	B.158	KLIPPON POK1 M16ACSS EX	8000004223	B.186	KSG M40 BS 0 SC 2 G40	0930531212	C.43	KTB FS 221513 S4E3	1195680000	B.67
KLIPPON K31 M20ACSS EX	8000004215	B.158	KLIPPON POK1 M16BCSS EX	8000004222	B.184	KSG M50 BN 0 NI 2 G50	1911610000	C.42	KTB FS 221513 S4E4	1195690000	B.67
KLIPPON K31 M20ZCSS EX	8000004214	B.158	KLIPPON POK1 M16BCSS EX	8000004222	B.186	KSG M50 BN 0 NI 2 G50S	1911600000	C.42	KTB FS 262615 S4E1	1195710000	B.68
KLIPPON K31 RAL7001	9529170000	B.138	KLIPPON POK2 2M20AB CSS	8000004161	B.184	KSG M50 BN 0 SC 2 G50	1909460000	C.42	KTB FS 262615 S4E2	1195720000	B.68
KLIPPON K31 VMQ RAL7001	1937820000	B.138	KLIPPON POK2 2M20AB CSS	8000004161	B.187	KSG M50 BN 0 SC 2 G50S	1909450000	C.42	KTB FS 262615 S4E3	1195730000	B.68
KLIPPON K32	1565260000	B.139	KLIPPON POK2 M20ACSS EX	8000004225	B.184	KSG M50 BS 0 NI 2 G50	1136670000	C.43	KTB FS 262615 S4E4	1195740000	B.68
KLIPPON K32 EX	9526900000	B.139	KLIPPON POK2 M20ACSS EX	8000004225	B.187	KSG M50 BS 0 NI 2 G50S	1136660000	C.43	KTB FS 262620 S4E1	1195760000	B.69
KLIPPON K32 RAL7001	9529180000	B.139	KLIPPON POK2 M20BCSS EX	8000004224	B.184	KSG M50 BS 0 SC 2 G50	0930551212	C.43	KTB FS 262620 S4E2	1195770000	B.69
KLIPPON K32 VMQ RAL7001	1937810000	B.139	KLIPPON POK2 M20BCSS EX	8000004224	B.187	KSG M50 BS 0 SC 2 G50S	1136730000	C.43	KTB FS 262620 S4E3	1195780000	B.69
KLIPPON K4	0342300000	B.140	KLIPPON POK3 4M20AB CSS	8000004162	B.184	KSG M63 BN 0 NI 2 G63	1911630000	C.42	KTB FS 262620 S4E4	1195790000	B.69
KLIPPON K4 2M20AB CSS	8000004155	B.159	KLIPPON POK3 4M20AB CSS	8000004162	B.188	KSG M63 BN 0 NI 2 G63S	1911620000	C.42	KTB FS 303015 S4E1	1195810000	B.70
KLIPPON K4 EX	9526910000	B.140	KLIPPON POK3 M20ACSS EX	8000004228	B.184	KSG M63 BN 0 SC 2 G63	1909480000	C.42	KTB FS 303015 S4E2	1195820000	B.70
KLIPPON K4 M20WCSS EX	8000004216	B.159	KLIPPON POK3 M20ACSS EX	8000004228	B.188	KSG M63 BN 0 SC 2 G63S	1909470000	C.42	KTB FS 303015 S4E3	1195830000	B.70
KLIPPON K4 M20ZCSS EX	8000004217	B.159	KLIPPON POK3 M20BCSS EX	8000004226	B.184	KSG M63 BS 0 NI 2 G63	1136690000	C.43	KTB FS 303015 S4E4	1195840000	B.70
KLIPPON K4 RAL7001	9529190000	B.140	KLIPPON POK3 M20BCSS EX	8000004226	B.188	KSG M63 BS 0 NI 2 G63S	1136680000	C.43	KTB FS 303020 S4E1	1195860000	B.71
KLIPPON K4 VMQ RAL7001	1937890000	B.140	KlIPPon POK3 1	1565400000	B.169	KSG M63 BS 0 SC 2 G63	1136750000	C.43	KTB FS 303020 S4E2	1195870000	B.71
KLIPPON K41	1565270000	B.141	KLIPPON POK4 3M20AB CSS	8000003448	B.184	KSG M63 BS 0 SC 2 G63S	1136740000	C.43	KTB FS 303020 S4E3	1195880000	B.71
KLIPPON K41 EX	1565270000	B.150	KLIPPON POK4 3M20AB CSS	8000003448	B.189	KSG M75 BN 0 NI 2 G75	1075360000	C.42	KTB FS 303020 S4E4	1195890000	B.71
KLIPPON K41 2M25AB CSS	8000003446	B.160	KLIPPON POK4 M20WCSS EX	8000003593	B.184	KSG M75 BN 0 NI 2 G75S	1075350000	C.42	KTB FS 352615 S4E1	1195910000	B.72
KLIPPON K41 2M20AB CSS	8000003447	B.160	KLIPPON POK4 M20WCSS EX	8000003593	B.189	KSG M75 BN 0 SC 2 G75	1075340000	C.42	KTB FS 352615 S4E2	1195920000	B.72
KLIPPON K41 EX	9526920000	B.141	KLIPPON POK4 M20ZCSS EX	8000003594	B.184	KSG M75 BN 0 SC 2 G75S	1075330000	C.42	KTB FS 352615 S4E3	1195930000	B.72
KLIPPON K41 M20WCSS EX	8000003591	B.160	KLIPPON POK4 M20ZCSS EX	8000003594	B.189	KSG M75 BS 0 NI 2 G75	1136710000	C.43	KTB FS 352615 S4E4	1195940000	B.72
KLIPPON K41 M20ZCSS EX	8000003592	B.160	KLIPPON POK5 1 4M20ABCSS	8000004164	B.184	KSG M75 BS 0 NI 2 G75S	1136700000	C.43	KTB FS 352620 S4E1	1195960000	B.73
KLIPPON K41 M25WCSS EX	8000003589	B.160	KLIPPON POK5 1 4M20ABCSS	8000004164	B.184	KSG M75 BS 0 SC 2 G75	1136700000	C.43	KTB FS 352620 S4E2	1195970000	B.73
KLIPPON K41 M25ZCSS EX	8000003590	B.160	KLIPPON POK5 1 M20WCSS E	8000004229	B.190	KSG M75 BS 0 SC 2 G75S	1136760000	C.43	KTB FS 352620 S4E3	1195980000	B.73
KLIPPON K41 RAL7001	9529200000	B.141	KLIPPON POK5 1 M20WCSS E	8000004229	B.190	KSP EL30	1736670000	C.57	KTB FS 352620 S4E4	1195990000	B.73
KLIPPON K41 VMQ RAL7001	1937800000	B.141	KLIPPON POK5 1 M20ZCSS E	8000004230	B.194	KSP EL30	1736680000	C.57	KTB FS 403015 S4E1	1196010000	B.74
KLIPPON K5	0342400000	B.142	KLIPPON POK5 1 M20ZCSS E	8000004230	B.190	KSP EL46	1076750000	C.57	KTB FS 403015 S4E2	1196020000	B.74
KLIPPON K5 4M20AB CSS	8000004158	B.161	KLIPPON STB 1 MS HT	1024970000	B.120	KSP EL55	1076760000	C.57	KTB FS 403015 S4E3	1196030000	B.74
KLIPPON K5 4M20ZCSS EX	8000004218	B.161	KLIPPON STB 1 SS	1002690000	B.120	KSP EL65	1076770000	C.57	KTB FS 403015 S4E4	1196040000	B.74
KLIPPON K5 4M20ZCSS EX	8000004219	B.161	KLIPPON STB 1 SS E	1058810000	B.120	KSP EL80	1076780000	C.57	KTB FS 403020 S4E1	1196060000	B.75
KLIPPON K5 EX	9526930000	B.142	KLIPPON STB 1.1 MS HT	1024980000	B.121	KSP EL90	1076790000	C.57	KTB FS 403020 S4E2	1196070000	B.75
KLIPPON K5 RAL7001	9529210000	B.142	KLIPPON STB 1.1 SS	1002750000	B.121	KSP L 104 S	1193940000	C.58	KTB FS 403020 S4E3	1196080000	B.75
KLIPPON K5 VMQ RAL7001	1937860000	B.142	KLIPPON STB 1.1 SS E	1058820000	B.121	KSP L114 S	1192790000	C.58	KTB FS 403020 S4E4	1196090000	B.75
KLIPPON K51	1565280000	B.143	KLIPPON STB 2 MS HT	1024990000	B.122	KSP L24	1736570000	C.57	KTB FS 453815 S4E1	1196110000	B.76
KLIPPON K51 EX	9526940000	B.143	KLIPPON STB 2 SS	1002740000	B.122	KSP L24 S	0930700001	C.58	KTB FS 453815 S4E2	1196120000	B.76
KLIPPON K51 RAL7001	9529220000	B.143	KLIPPON STB 2 SS E	1058830000	B.122	KSP L30	1736580000	C.57	KTB FS 453815 S4E3	1196130000	B.76
KLIPPON K51 VMQ RAL7001	1937750000	B.143	KLIPPON STB 2.1 MS HT	1025010000	B.123	KSP L30 S	0930700002	C.58	KTB FS 453815 S4E4	1196140000	B.76
KLIPPON K52	1565290000	B.144	KLIPPON STB 2.1 SS	1002730000	B.123	KSP L38	1736590000	C.57	KTB FS 453820 S4E1	1196160000	B.77
KLIPPON K52 EX	9526950000	B.144	KLIPPON STB 2.1 SS E	1058840000	B.123	KSP L38 S	0930700003	C.58	KTB FS 453820 S4E2	1196170000	B.77
KLIPPON K52 4M20AB CSS	8000004159	B.162	KLIPPON STB 3 MS HT	1025020000	B.124	KSP L46	1736600000	C.57	KTB FS 453820 S4E3	1196180000	B.77
KLIPPON K52 EX	9526950000	B.144	KLIPPON STB 3 SS	1002720000	B.124	KSP L46 S	0930700004	C.58	KTB FS 453820 S4E4	1196190000	B.77
KLIPPON K52 M20WCSS EX	8000004220	B.162	KLIPPON STB 3 SS E	1058850000	B.124	KSP L55	1736610000	C.57	KTB FS 484815 S4E1	1196210000	B.78
KLIPPON K52 M20ZCSS EX	8000004221	B.162	KLIPPON STB 4 MS HT	1025030000	B.125	KSP L55 S	0930700005	C.58	KTB FS 484815 S4E2	1196220000	B.78
KLIPPON K52 RAL7001	9529230000	B.144	KLIPPON STB 4 SS	1002710000	B.125	KSP L65	1736620000	C.57	KTB FS 484815 S4E3	1196230000	B.78
KLIPPON K52 VMQ RAL7001	1937740000	B.144	KLIPPON STB 4 SS E	1058860000	B.125	KSP L65 S	0930700006	C.58	KTB FS 484815 S4E4	1196240000	B.78
KLIPPON K6	0342500000	B.145	KLIPPON STB 5 MS HT	1025040000	B.126	KSP L80	1736630000	C.57	KTB FS 484820 S4E1	1196260000	B.79
KLIPPON K6 EX	9526960000	B.145	KLIPPON STB 5 SS	1002700000	B.126	KSP L80 S	0930700007	C.58	KTB FS 484820 S4E2	1196270000	B.79
KLIPPON K6 RAL7001	9529240000	B.145	KLIPPON STB 5 SS E	1058870000	B.126	KSP L90	1736640000	C.57	KTB FS 484820 S4E3	1196280000	B.79
KLIPPON K6 VMQ RAL7001	1937870000	B.145	KLIPPON STB 6 MS HT	1025050000	B.127	KSP L90 S	0930700008	C.58	KTB FS 484820 S4E4	1196290000	B.79
KLIPPON K61	0573600000	B.146	KLIPPON STB 6 SS	1002760000	B.127	KSPA M16 BNI	0887490000	C.64	KTB FS 553515 S4E1	1196310000	B.80
KLIPPON K61 EX	9526970000	B.146	KLIPPON STB 6 SS E	1058870000	B.127	KSPA M20 BNI	0886670000	C.64	KTB FS 553515 S4E2	1196320000	B.80
KLIPPON K61 RAL7001	9529250000	B.146	KOBBS 19X55	9205040000	E.4	KSPA M25 BNI	0886680000	C.64	KTB FS 553515 S4E3	1196330000	B.80
KLIPPON K61 VMQ RAL7001	1937730000	B.146	KOBBS 19X75	9204780000	E.4	KSPA M32 BNI	0886690000	C.64	KTB FS 553515 S4E4	1196340000	B.80
KLIPPON K7	0342600000	B.147	KOBBS 9.5X50	9205030000	E.4	KSPA M40 BNI	0886700000	C.64	KTB FS 553520 S4E1	1196360000	B.81
KLIPPON K7 EX	9526980000	B.147	KOHS 19	9205010000	E.4	KSPA M50 BNI	0886710000	C.64	KTB FS 553520 S4E2	1196370000	B.81
KLIPPON K7 RAL7001	9529260000	B.147	KOHS 9.5+19	9205000000	E.4	KSPA M63 BNI	1075370000	C.64	KTB FS 553520 S4E3	1196380000	B.81
KLIPPON K7 VMQ RAL7001	1937880000	B.147	KOK-112X36	9204870000	E.6	KSPA M75 BNI	1075380000	C.64	KTB FS 553520 S4E4	1196390000	B.81
KLIPPON K71	0573700000	B.148	KOK-46X46	9204810000	E.6	KSPM M16 BSC	0887480000	C.65	KTB FS 624515 S4E1	1196410000	B.82
KLIPPON K71 EX	9526990000	B.148	KOK-52X36	9204820000	E.6	KSPM M16 PL	1209890000	C.66	KTB FS 624515 S4E2	1196420000	B.82
KLIPPON K71 RAL7001	9529270000	B.148	KOK-65X36	9204830000	E.6	KSPM M16 SSC	0887500000	C.65	KTB FS 624515 S4E3	1196430000	B.82
KLIPPON K71 VMQ RAL7001	1937720000	B.148	KOK-68X68	9204840000	E.6	KSPM M20 BSC	0885410000	C.65	KTB FS 624515 S4E4	1196440000	B.82
KlIPPon POK 1	1277200000	B.166	KOK-86X36	9204850000	E.6	KSPM M20 PL	1209910000	C.66	KTB FS 624515 S4E1	1196460000	B.83
KlIPPon POK 1 Ex	9510210000	B.166	KOK-91X36	9204860000	E.6	KSPM M20 SSC	0886720000	C.65	KTB FS 624520 S4E2	1196470000	B.83
KlIPPon POK 10	1565440000	B.180	KOPD 10.0	9205020000	E.5	KSPM M25 BSC	0885420000	C.66	KTB FS 624520 S4E3	1196480000	B.83
KlIPPon POK 10 Ex	9510310000	B.180	KOS PG 13/M20	9204950000	E.4	KSPM M25 PL	1209920000	C.66	KTB FS 624520 S4E4	1196490000	B.83
KlIPPon POK 11	9510530000	B.181	KOS-M16	9204880000	E.4	KSPM M25 SSC	0886730000	C.65	KTB FS 765015 S4E1	1196510000	B.84
KlIPPon POK 11 Ex	9510360000	B.181	KOS-M25	9204900000	E.4	KSPM M32 BSC	0885430000	C.65	KTB FS 765015 S4E2	1196520000	B.84
KlIPPon POK 12	9510540000	B.182	KOS-M32	9204910000	E.4	KSPM M32 PL	1209930000	C.66	KTB FS 765015 S4E3	1196530000	B.84
KlIPPon POK 12 Ex	9510370000	B.182	KOS-M40	9204920000	E.4	KSPM M32 SSC	0886740000	C.65	KTB FS 765015 S4E4	1196540000	B.84
KlIPPon POK 2	1277300000	B.167	KOS-PG11	9204940000	E.4	KSPM M40 BSC	0885440000	C.65	KTB FS 765020 S4E1	1196560000	B.85
KlIPPon POK 2 Ex	9510220000	B.167	KOS-PG16	9204960000	E.4	KSPM M40 PL	1209940000	C.66	KTB FS 765020 S4E2	1196570000	B.85
KlIPPon POK 3	1277400000	B.168	KOS-PG21	9204970000	E.4	KSPM M40 SSC	0886750000	C.65	KTB FS 765020 S4E3	1196580000	B.85
KlIPPon POK 3 Ex	9510320000	B.168	KOS-PG29	920							

Type	Order No.	Page
KTBP GP 352615 AB S4 6MM	1256380000	B.20
KTBP GP 352615 CD S4 6MM	1256390000	B.20
KTBP GP 352620 AB S4 6MM	1256410000	B.21
KTBP GP 352620 CD S4 6MM	1256420000	B.21
KTBP GP 403015 AB S4 6MM	1256430000	B.22
KTBP GP 403015 CD S4 6MM	1256440000	B.22
KTBP GP 403020 AB S4 6MM	1256450000	B.23
KTBP GP 403020 CD S4 6MM	1256470000	B.23
KTBP GP 453815 AB S4 6MM	1256480000	B.24
KTBP GP 453815 CD S4 6MM	1256490000	B.24
KTBP GP 453820 AB S4 6MM	1256510000	B.25
KTBP GP 453820 CD S4 6MM	1256520000	B.25
KTBP GP 484815 AB S4 6MM	1256530000	B.26
KTBP GP 484815 CD S4 6MM	1256540000	B.26
KTBP GP 484820 AB S4 6MM	1256550000	B.27
KTBP GP 484820 CD S4 6MM	1256560000	B.27
KTBP GP 553515 AB S4 6MM	1256570000	B.28
KTBP GP 553515 CD S4 6MM	1256580000	B.28
KTBP GP 553520 AB S4 6MM	1256590000	B.29
KTBP GP 553520 CD S4 6MM	1256610000	B.29
KTBP GP 624515 AB S4 6MM	1256620000	B.30
KTBP GP 624515 CD S4 6MM	1256630000	B.30
KTBP GP 624520 AB S4 6MM	1256640000	B.31
KTBP GP 624520 CD S4 6MM	1256650000	B.31
KTBP GP 765015 AB S4 6MM	1256660000	B.32
KTBP GP 765015 CD S4 6MM	1256670000	B.32
KTBP GP 765020 AB S4 6MM	1256680000	B.33
KTBP GP 765020 CD S4 6MM	1256690000	B.33
KTBP GP 916115 AB S4 6MM	1256710000	B.34
KTBP GP 916115 CD S4 6MM	1256720000	B.34
KTBP GP 916120 AB S4 6MM	1256730000	B.35
KTBP GP 916120 CD S4 6MM	1256740000	B.35
KTBP GP 987420 AB S4 6MM	1256750000	B.36
KTBP GP 987420 CD S4 6MM	1256760000	B.36
KTBP MH 221513 S4E1	1194560000	B.15
KTBP MH 221513 S4E2	1194570000	B.15
KTBP MH 221513 S4E3	1194580000	B.15
KTBP MH 221513 S4E4	1194590000	B.15
KTBP MH 262615 S4E1	1194610000	B.16
KTBP MH 262615 S4E2	1194620000	B.16
KTBP MH 262615 S4E3	1194630000	B.16
KTBP MH 262615 S4E4	1194640000	B.16
KTBP MH 262620 S4E1	1194660000	B.17
KTBP MH 262620 S4E2	1194670000	B.17
KTBP MH 262620 S4E3	1194680000	B.17
KTBP MH 262620 S4E4	1194690000	B.17
KTBP MH 303015 S4E1	1194710000	B.18
KTBP MH 303015 S4E2	1194720000	B.18
KTBP MH 303015 S4E3	1194730000	B.18
KTBP MH 303015 S4E4	1194740000	B.18
KTBP MH 303020 S4E1	1194760000	B.19
KTBP MH 303020 S4E2	1194770000	B.19
KTBP MH 303020 S4E3	1194780000	B.19
KTBP MH 303020 S4E4	1194790000	B.19
KTBP MH 352615 S4E1	1194810000	B.20
KTBP MH 352615 S4E2	1194820000	B.20
KTBP MH 352615 S4E3	1194830000	B.20
KTBP MH 352615 S4E4	1194840000	B.20
KTBP MH 352620 S4E1	1194860000	B.21
KTBP MH 352620 S4E2	1194870000	B.21
KTBP MH 352620 S4E3	1194880000	B.21
KTBP MH 352620 S4E4	1194890000	B.21
KTBP MH 403015 S4E1	1194910000	B.22
KTBP MH 403015 S4E2	1194920000	B.22
KTBP MH 403015 S4E3	1194930000	B.22
KTBP MH 403015 S4E4	1194940000	B.22
KTBP MH 403020 S4E1	1194960000	B.23
KTBP MH 403020 S4E2	1194970000	B.23
KTBP MH 403020 S4E3	1194980000	B.23
KTBP MH 403020 S4E4	1194990000	B.23
KTBP MH 453815 S4E1	1195010000	B.24
KTBP MH 453815 S4E2	1195020000	B.24
KTBP MH 453815 S4E3	1195030000	B.24
KTBP MH 453815 S4E4	1195040000	B.24
KTBP MH 453820 S4E1	1195060000	B.25
KTBP MH 453820 S4E2	1195070000	B.25
KTBP MH 453820 S4E3	1195080000	B.25
KTBP MH 453820 S4E4	1195090000	B.25
KTBP MH 484815 S4E1	1195110000	B.26
KTBP MH 484815 S4E2	1195120000	B.26
KTBP MH 484815 S4E3	1195130000	B.26
KTBP MH 484815 S4E4	1195140000	B.26
KTBP MH 484820 S4E1	1195160000	B.27
KTBP MH 484820 S4E2	1195170000	B.27
KTBP MH 484820 S4E3	1195180000	B.27
KTBP MH 484820 S4E4	1195190000	B.27
KTBP MH 553515 S4E1	1195210000	B.28
KTBP MH 553515 S4E2	1195220000	B.28
KTBP MH 553515 S4E3	1195230000	B.28
KTBP MH 553515 S4E4	1195240000	B.28
KTBP MH 553520 S4E1	1195260000	B.29
KTBP MH 553520 S4E2	1195270000	B.29
KTBP MH 553520 S4E3	1195280000	B.29
KTBP MH 553520 S4E4	1195290000	B.29
KTBP MH 624515 S4E1	1195310000	B.30
KTBP MH 624515 S4E2	1195320000	B.30
KTBP MH 624515 S4E3	1195330000	B.30
KTBP MH 624515 S4E4	1195340000	B.30
KTBP MH 624520 S4E1	1195360000	B.31

Type	Order No.	Page
KTBP MH 624520 S4E2	1195370000	B.31
KTBP MH 624520 S4E3	1195380000	B.31
KTBP MH 624520 S4E4	1195390000	B.31
KTBP MH 765015 S4E1	1195410000	B.32
KTBP MH 765015 S4E2	1195420000	B.32
KTBP MH 765015 S4E3	1195430000	B.32
KTBP MH 765015 S4E4	1195440000	B.32
KTBP MH 765020 S4E1	1195460000	B.33
KTBP MH 765020 S4E2	1195470000	B.33
KTBP MH 765020 S4E3	1195480000	B.33
KTBP MH 765020 S4E4	1195490000	B.33
KTBP MH 916115 S4E1	1195510000	B.34
KTBP MH 916115 S4E2	1195520000	B.34
KTBP MH 916115 S4E3	1195530000	B.34
KTBP MH 916115 S4E4	1195540000	B.34
KTBP MH 916120 S4E1	1195560000	B.35
KTBP MH 916120 S4E2	1195570000	B.35
KTBP MH 916120 S4E3	1195580000	B.35
KTBP MH 916120 S4E4	1195590000	B.35
KTBP MH 987420 S4E1	1195610000	B.36
KTBP MH 987420 S4E2	1195620000	B.36
KTBP MH 987420 S4E3	1195630000	B.36
KTBP MH 987420 S4E4	1195640000	B.36
KTBP MOPL 2215 MSZN	1193930000	B.15
KTBP MOPL 2215 S2N	1193810000	B.15
KTBP MOPL 2215 S2N H	1257650000	B.15
KTBP MOPL 2626 MSZN	1193950000	B.16
KTBP MOPL 2626 S2N	1193820000	B.16
KTBP MOPL 2626 S2N H	1257660000	B.16
KTBP MOPL 3030 MSZN	1193960000	B.16
KTBP MOPL 3030 S2N	1193830000	B.16
KTBP MOPL 3030 S2N H	1257670000	B.16
KTBP MOPL 3526 MSZN	1193970000	B.20
KTBP MOPL 3526 S2N	1193840000	B.20
KTBP MOPL 3526 S2N H	1257680000	B.20
KTBP MOPL 4030 MSZN	1193980000	B.22
KTBP MOPL 4030 S2N	1193850000	B.22
KTBP MOPL 4030 S2N H	1257690000	B.22
KTBP MOPL 4538 MSZN	1193990000	B.24
KTBP MOPL 4538 S2N	1193860000	B.24
KTBP MOPL 4538 S2N H	1257700000	B.24
KTBP MOPL 4848 MSZN	1194000000	B.26
KTBP MOPL 4848 S2N	1193870000	B.26
KTBP MOPL 4848 S2N H	1257710000	B.26
KTBP MOPL 5535 MSZN	1194010000	B.28
KTBP MOPL 5535 S2N	1193880000	B.28
KTBP MOPL 5535 S2N H	1257720000	B.28
KTBP MOPL 6245 MSZN	1194020000	B.30
KTBP MOPL 6245 S2N	1193890000	B.30
KTBP MOPL 6245 S2N H	1257740000	B.30
KTBP MOPL 7650 MSZN	1194030000	B.32
KTBP MOPL 7650 S2N	1193900000	B.32
KTBP MOPL 7650 S2N H	1257750000	B.32
KTBP MOPL 9161 MSZN	1194040000	B.34
KTBP MOPL 9161 S2N	1193910000	B.34
KTBP MOPL 9161 S2N H	1257760000	B.34
KTBP MOPL 9874 MSZN	1194050000	B.36
KTBP MOPL 9874 S2N	1193920000	B.36
KTBP MOPL 9874 S2N H	1257770000	B.36
KTBP QL 221513 S4E1	1199860000	B.41
KTBP QL 221513 S4E2	1199870000	B.41
KTBP QL 221513 S4E3	1199880000	B.41
KTBP QL 221513 S4E4	1199890000	B.41
KTBP QL 262615 S4E1	1199910000	B.42
KTBP QL 262615 S4E2	1199920000	B.42
KTBP QL 262615 S4E3	1199930000	B.42
KTBP QL 262615 S4E4	1199940000	B.42
KTBP QL 262620 S4E1	1199960000	B.43
KTBP QL 262620 S4E2	1199970000	B.43
KTBP QL 262620 S4E3	1199980000	B.43
KTBP QL 262620 S4E4	1199990000	B.43
KTBP QL 303015 S4E1	1200020000	B.44
KTBP QL 303015 S4E2	1200030000	B.44
KTBP QL 303015 S4E3	1200040000	B.44
KTBP QL 303015 S4E4	1200050000	B.44
KTBP QL 303020 S4E1	1200070000	B.45
KTBP QL 303020 S4E2	1200080000	B.45
KTBP QL 303020 S4E3	1200090000	B.45
KTBP QL 303020 S4E4	1200100000	B.45
KTBP QL 352615 S4E1	1200120000	B.46
KTBP QL 352615 S4E2	1200130000	B.46
KTBP QL 352615 S4E3	1200140000	B.46
KTBP QL 352615 S4E4	1200150000	B.46
KTBP QL 352620 S4E1	1200170000	B.47
KTBP QL 352620 S4E2	1200180000	B.47
KTBP QL 352620 S4E3	1200190000	B.47
KTBP QL 352620 S4E4	1200210000	B.47
KTBP QL 403015 S4E1	1200230000	B.48
KTBP QL 403015 S4E2	1200240000	B.48
KTBP QL 403015 S4E3	1200250000	B.48
KTBP QL 403015 S4E4	1200260000	B.48
KTBP QL 403020 S4E1	1200280000	B.49
KTBP QL 403020 S4E2	1200290000	B.49
KTBP QL 403020 S4E3	1200310000	B.49
KTBP QL 403020 S4E4	1200320000	B.49
KTBP QL 453815 S4E1	1200340000	B.50
KTBP QL 453815 S4E2	1200350000	B.50
KTBP QL 453815 S4E3	1200360000	B.50
KTBP QL 453815 S4E4	1200370000	B.50

Type	Order No.	Page
KTBP QL 453820 S4E1	1200390000	B.51
KTBP QL 453820 S4E2	1200410000	B.51
KTBP QL 453820 S4E3	1200420000	B.51
KTBP QL 453820 S4E4	1200430000	B.51
KTBP QL 484815 S4E1	1200450000	B.52
KTBP QL 484815 S4E2	1200460000	B.52
KTBP QL 484815 S4E3	1200470000	B.52
KTBP QL 484815 S4E4	1200480000	B.52
KTBP QL 484820 S4E1	1200510000	B.53
KTBP QL 484820 S4E2	1200520000	B.53
KTBP QL 484820 S4E3	1200530000	B.53
KTBP QL 484820 S4E4	1200540000	B.53
KTBP QL 553515 S4E1	1200560000	B.54
KTBP QL 553515 S4E2	1200570000	B.54
KTBP QL 553515 S4E3	1200580000	B.54
KTBP QL 553515 S4E4	1200590000	B.54
KTBP QL 553520 S4E1	1200620000	B.55
KTBP QL 553520 S4E2	1200630000	B.55
KTBP QL 553520 S4E3	1200640000	B.55
KTBP QL 553520 S4E4	1200650000	B.55
KTBP QL 624515 S4E1	1200670000	B.56
KTBP QL 624515 S4E2	1200680000	B.56
KTBP QL 624515 S4E3	1200690000	B.56
KTBP QL 624515 S4E4	1200710000	B.56
KTBP QL 624520 S4E1	1200730000	B.57
KTBP QL 624520 S4E2	1200740000	B.57
KTBP QL 624520 S4E3	1200750000	B.57
KTBP QL 624520 S4E4	1200760000	B.57
KTBP QL 765015 S4E1	1200780000	B.58
KTBP QL 765015 S4E2	1200790000	B.58
KTBP QL 765015 S4E3	1200810000	B.58
KTBP QL 765015 S4E4	1200820000	B.58
KTBP QL 765020 S4E1	1200840000	B.59
KTBP QL 765020 S4E2	1200850000	B.59
KTBP QL 765020 S4E3	1200860000	B.59
KTBP QL 765020 S4E4	1200870000	B.59
KTBP QL 916115 S4E1	1200890000	B.60
KTBP QL 916115 S4E2	1200910000	B.60
KTBP QL 916115 S4E3	1200920000	B.60
KTBP QL 916115 S4E4	1200930000	B.60
KTBP QL 916120 S4E1	1200950000	B.61
KTBP QL 916120 S4E2	1200960000	B.61
KTBP QL 916120 S4E3	1200970000	B.61
KTBP QL 916120 S4E4	1200980000	B.61
KTBP QL 987420 S4E1	1201010000	B.62
KTBP QL 987420 S4E2	1201020000	B.62
KTBP QL 987420 S4E3	1201030000	B.62
KTBP QL 987420 S4E4	1201040000	B.62
KTBP QL S2 DB3	1191590000	B.93
KTBP QL S2 SLS	1191600000	B.93
KTBP RNHD 221513 R	1281360000	B.15
KTBP RNHD 221513 R	1281360000	B.41
KTBP RNHD 262615 R	1281370000	B.16
KTBP RNHD 262615 R	1281370000	B.42
KTBP RNHD 262620 R	1281380000	B.17
KTBP RNHD 262620 R	1281380000	B.43
KTBP RNHD 303015 R	1281390000	B.18
KTBP RNHD 303015 R	1281390000	B.44
KTBP RNHD 303020 R	1281400000	B.19
KTBP RNHD 303020 R	1281400000	B.45
KTBP RNHD 352615 R	1281410000	B.20
KTBP RNHD 35261		

Type	Order No.	Page
KUB M40 BS 0 NI 2 G40	1095210000	C.45
KUB M40 BS 0 SC 1 G40	1095440000	C.44
KUB M40 BS 0 SC 2 G40	1095450000	C.44
KUB M50 BN 0 NI 2 G50	1095250000	C.45
KUB M50 BS 0 NI 1 G50	1095240000	C.45
KUB M50 BS 0 NI 1 G50S	1095220000	C.45
KUB M50 BS 0 NI 2 G50S	1095230000	C.45
KUB M50 BS 0 SC 1 G50	1095480000	C.44
KUB M50 BS 0 SC 2 G50S	1095460000	C.44
KUB M50 BS 0 SC 2 G50	1095490000	C.44
KUB M50 BS 0 SC 2 G50S	1095470000	C.44
KUB M63 BS 0 NI 1 G63	1095280000	C.45
KUB M63 BS 0 NI 1 G63S	1095260000	C.45
KUB M63 BS 0 NI 2 G63	1095290000	C.45
KUB M63 BS 0 NI 2 G63S	1095270000	C.45
KUB M63 BS 0 SC 1 G63	1095520000	C.44
KUB M63 BS 0 SC 1 G63S	1095500000	C.44
KUB M63 BS 0 SC 2 G63	1095530000	C.44
KUB M63 BS 0 SC 2 G63S	1095510000	C.44
KUB M75 BS 0 NI 1 G75	1095320000	C.45
KUB M75 BS 0 NI 1 G75S	1095300000	C.45
KUB M75 BS 0 NI 2 G75	1095330000	C.45
KUB M75 BS 0 NI 2 G75S	1095310000	C.45
KUB M75 BS 0 SC 1 G75	1095560000	C.44
KUB M75 BS 0 SC 1 G75S	1095540000	C.44
KUB M75 BS 0 SC 2 G75	1095570000	C.44
KUB M75 BS 0 SC 2 G75S	1095550000	C.44
KV 11-M	1656390000	C.14
KV 13-M	1656400000	C.14
KV 16-M	1656410000	C.14
KV 21-M	1656420000	C.14
KV 29-M	1656430000	C.14

M

MF FPC	9536040000	B.209
MF MPC	9535600000	B.202
MF POK big	9510910000	B.171
MF POK small	9510900000	B.166
MF TBF	0360800000	B.194
MOPL K1 BKVARIO SET	8000004495	B.153
MOPL K1 N FE	1905280000	B.133
MOPL K11 STAHL	3073000000	B.134
MOPL K2 BKVARIO SET	8000004496	B.155
MOPL K2 N FE	1905270000	B.135
MOPL K21 STAHL	3073020000	B.136
MOPL K3 BKVARIO SET	8000004497	B.157
MOPL K3 N FE	1898210000	B.137
MOPL K3 NT FE	1899630000	B.137
MOPL K31 STAHL	3073040000	B.138
MOPL K32 STAHL	3073050000	B.139
MOPL K4 STAHL	3073060000	B.140
MOPL K41 STAHL	3073070000	B.141
MOPL K5 STAHL	3073080000	B.142
MOPL K51 STAHL	3073090000	B.143
MOPL K52 STAHL	3073100000	B.144
MOPL K6 STAHL	3073110000	B.145
MOPL K61 STAHL	3073120000	B.146
MOPL K7 STAHL	3073130000	B.147
MOPL K71 STAHL	3073140000	B.148
MOPL SET BK12 S	8000004135	B.157
MOPL SET BK4 S	8000004129	B.153
MOPL SET BK6 S	8000004132	B.155
MP FPC 20/20	9535920000	B.209
MP FPC 20/30	9535930000	B.209
MP FPC 20/40	9535940000	B.210
MP FPC 30/30	9535950000	B.210
MP FPC 30/40	9535960000	B.211
MP FPC 40/60	9535980000	B.211
MP MPC 07/12	9535540000	B.202
MP MPC 12/12	9535550000	B.203
MP MPC 12/17	9535560000	B.203
MP MPC 17/17	9535570000	B.205
MP MPC 17/25	9535580000	B.206
MP POK 32	9510700000	B.170
MP TBF 19/15	9502720000	B.194
MP TBF 30/19	3018950000	B.194
MP TBF 30/30	9502730000	B.195
MP TBF 37/30	9502740000	B.195
MP TBF 49/30	9500960000	B.196
MP TBF 56/30	9500950000	B.196
MP TBF 60/30	9502750000	B.197
MP TBF 60/37	9502910000	B.198
MP TBF 60/60	9502920000	B.198
MPC 07/12/07 7035	9535170000	B.202
MPC 07/12/07 trsp	9535180000	B.202
MPC 07/12/12 7035	9535210000	B.202
MPC 07/12/12 trsp	9535220000	B.202
MPC 12/12/07 7035	9535230000	B.203
MPC 12/12/07 trsp	9535240000	B.203
MPC 12/17/07 7035	9535290000	B.203
MPC 12/17/07 trsp	9535300000	B.203
MPC 12/17/10 7035	9535310000	B.204
MPC 12/17/10 trsp	9535320000	B.204
MPC 12/17/12 7035	9535330000	B.204
MPC 12/17/12 trsp	9535340000	B.204
MPC 17/17/07 7035	9535370000	B.205
MPC 17/17/07 trsp	9535380000	B.205
MPC 17/17/15 7035	9535430000	B.206

Type	Order No.	Page
MPC 17/17/15 trsp	9535440000	B.206
MPC 17/25/10 7035	9535470000	B.206
MPC 17/25/10 trsp	9535480000	B.206

P

PADLOCK KLIPPON TB SS	0905680000	B.15
PEBZ M10 KTB S4 SET	1192690000	B.15
POK MOPL 0808	9510570000	B.166
POK MOPL 0811	9510580000	B.167
POK MOPL 0816	9510680000	B.168
POK MOPL 0819	9510690000	B.169
POK MOPL 1212	9510590000	B.171
POK MOPL 1222	9510600000	B.172
POK MOPL 1616	9510610000	B.173
POK MOPL 1626	9510620000	B.174
POK MOPL 1636	9510630000	B.175
POK MOPL 1656	9510710000	B.176
POK MOPL 2525	9510640000	B.181
POK MOPL 2540	9510650000	B.182
POK MOPL 2560	9510660000	B.189
POK MOPL 4040	9510670000	B.180

S

SD FIXING SET	1285200000	B.15
SD Set S2.0-5.5	9205560000	E.18
SD Set S2.5-5.5/PH1/2	9009740000	E.18
SD TH10	9009180000	E.17
SD TH15	9009170000	E.17
SD TH20	9009160000	B.130
SD TO 0.6X3,0	1323880000	E.18
SDI Set S2.0-5.5	9205550000	E.16
SDI Set S2.5-5.5/PH1/2	9009730000	E.16
SDI Set S2.5-5.5/PZ1/2	1128540000	E.16
SDI SL/PH 1	1318330000	E.15
SDI SL/PH 2	1318340000	E.15
SDIK PH0	9008560000	E.15
SDIK PH1	9008570000	E.15
SDIK PH2	9008580000	E.15
SDIK PH3	9008590000	E.15
SDIK PZ1	9008900000	E.15
SDIK PZ2	9008890000	E.15
SDIS 0.4X2.0X60	9205690000	E.15
SDIS 0.4X2.5X75	9008370000	E.15
SDIS 0.5X3.0X100	9008380000	E.15
SDIS 0.6X3.5X100	9008390000	E.15
SDIS 0.8X4.0X100	9008400000	E.15
SDIS 1.0X4.5X125	9008910000	E.15
SDIS 1.0X4.5X175	9205700000	E.15
SDIS 1.0X5.5X125	9008410000	E.15
SDIS 1.0X5.5X175	9205710000	E.15
SDIS 1.2X6.5X150	9008420000	E.15
SDIS 1.6X8.0X175	9008430000	E.15
SDIZ 0.8X5.5 150/248	9008640000	E.15
SDIZ 0.6X3.5X100	9008450000	E.15
SDIZ 0.8X4.0X100	9008460000	E.15
SDK PH0	9008470000	E.17
SDK PH1	9008480000	E.17
SDK PH2	9008490000	E.17
SDK PH3	9008500000	E.17
SDK PZ1	9008530000	E.17
SDK PZ2	9008540000	E.17
SDK PZ3	9008550000	E.17
SDQ T15	1318390000	E.22
SDQ T20	1318400000	E.22
SDQ T40	1318410000	E.22
SDS 0.4X2.0X60	9037160000	E.17
SDS 0.4X2.5X75	9008300000	E.17
SDS 0.5X3.0X80	9008320000	E.17
SDS 0.6X3.5X100	9008330000	E.17
SDS 0.6X3.5X200	9010110000	E.17
SDS 0.8X4.0X100	9008340000	E.17
SDS 0.8X4.0X125	9008350000	E.17
SDS 1.0X5.5X150	9008350000	E.17
SDS 1.2X6.5X150	9009010000	E.17
SFN55 VKMU MS S5W15	4335300000	B.120
SK 10.0x125	9009070000	B.120
SK WSDS 1.5-10,0	9008850000	E.19
SKMU EMV M12	1777610000	C.50
SKMU EMV M16	1777620000	C.50
SKMU EMV M20	1777630000	C.50
SKMU EMV M25	1777640000	C.50
SKMU EMV M32	1777650000	C.50
SKMU EMV M40	1777660000	C.50
SKMU EMV M50	1777670000	C.50
SKMU EMV M63	1777680000	C.50
SKMU EMV PG 36	1777170000	C.50
SKMU EMV PG 42	1777700000	C.50
SKMU EMV PG 48	1777690000	C.50
SKMU EMV PG 11	1718920000	C.50
SKMU EMV PG 13,5	1718930000	C.50
SKMU EMV PG 16	1718940000	C.50
SKMU EMV PG 21	1718950000	C.50
SKMU EMV PG 29	1718960000	C.50
SKMU EMV PG 7	1718900000	C.50
SKMU EMV PG 9	1718910000	C.50
SKMU M12 - K GR	1772440000	C.46
SKMU M12 - MS	1772360000	C.48

Type	Order No.	Page
SKMU M12-K SW	1806540000	C.47
SKMU M16 - K GR	1772450000	C.46
SKMU M16 K SW	1736920000	C.47
SKMU M16 MS	1736990000	C.48
SKMU M16 MS SC	0930640001	C.49
SKMU M20 - K GR	1772460000	C.46
SKMU M20 K SW	1736930000	C.47
SKMU M20 MS	1737000000	C.48
SKMU M20 MS SC	0930640002	C.49
SKMU M25 - K GR	1772470000	C.46
SKMU M25 K SW	1736940000	C.47
SKMU M25 MS	1737010000	C.48
SKMU M25 MS SC	0930640003	C.49
SKMU M32 - K GR	1772480000	C.46
SKMU M32 K SW	1736950000	C.47
SKMU M32 MS	1737020000	C.48
SKMU M32 MS SC	0930640004	C.49
SKMU M40 - K GR	1772490000	C.46
SKMU M40 K SW	1736960000	C.47
SKMU M40 MS	1737030000	C.48
SKMU M40 MS SC	0930640005	C.49
SKMU M50 - K GR	1772500000	C.46
SKMU M50 K SW	1736970000	C.47
SKMU M50 MS	1737040000	C.48
SKMU M50 MS SC	0930640006	C.49
SKMU M63 - K GR	1772510000	C.46
SKMU M63 K SW	1736980000	C.47
SKMU M63 MS	1737050000	C.48
SKMU M63 MS SC	0930640007	C.49
SKMU M75 MS	1737060000	C.48
SKMU M75 MS SC	0930640008	C.49
SKMU M80 MS	0930640009	C.49
SKMU M85 MS SC	0930640010	C.49
SKMU M90 MS SC	0930640011	C.49
SKMU PG 13.5-K GR	1697470000	C.46
SKMU PG11-K GR	1697480000	C.46
SKMU PG11-K SW	1719120000	C.47
SKMU PG11-MS	1694090000	C.48
SKMU PG13,5-K SW	1719130000	C.47
SKMU PG13,5-MS	1694100000	C.48
SKMU PG16-K GR	1697490000	C.46
SKMU PG16-K SW	1719140000	C.47
SKMU PG16-MS	1694110000	C.48
SKMU PG21-K GR	1698220000	C.46
SKMU PG21-K SW	1719150000	C.47
SKMU PG21-MS	1719200000	C.48
SKMU PG29-K GR	1698230000	C.46
SKMU PG29-K SW	1719160000	C.47
SKMU PG29-MS	1719210000	C.48
SKMU PG36-K GR	1698240000	C.46
SKMU PG36-K SW	1719170000	C.47
SKMU PG36-MS	1719220000	C.48
SKMU PG42-K GR	1698250000	C.46
SKMU PG42-K SW	1719180000	C.47
SKMU PG42-MS	1719230000	C.48
SKMU PG48-K GR	1719090000	C.46
SKMU PG48-K SW	1719190000	C.47
SKMU PG48-MS	1719240000	C.48
SKMU PG7-K GR	1697440000	C.46
SKMU PG7-K SW	1719100000	C.47
SKMU PG7-MS	1694070000	C.48
SKMU PG9-K GR	1697450000	C.46
SKMU PG9-K SW	1719110000	C.47
SKMU PG9-MS	1694080000	C.48
SKS 2.0-8.0	9008860000	E.19
SKS 2.0-8.0 MR	9008870000	E.19
SP M6 10 S2	0935110000	B.15
SP M6 15 MSZN	3896100000	B.93
SP M6 15 S2	0935120000	B.15
SP M6 20 MSZN	3896200000	B.93
SP M6 20 S2	0935130000	B.15
SP M6 30 MSZN	3896300000	B.93
SP M6 30 S2	0935140000	B.15
SYSTEM 11-1	9009750000	E.20
SZS M16	1736300000	C.59
SZS M20	1736310000	C.59
SZS M25	1736320000	C.59
SZS M32	1736330000	C.59
SZS M40	1736340000	C.59
SZS M50	1736350000	C.59
SZS M63	1736360000	C.59

T

TBF 19/15/14 7035	0360100000	B.194
TBF 19/15/14 trsp	0500500000	B.194
TBF 30/19/18 7035	0360200000	B.194
TBF 30/19/18 trsp	0500600000	B.194
TBF 30/30/18 7035	0360300000	B.195
TBF 30/30/18 trsp	0500700000	B.195
TBF 37/30/18 7035	0360400000	B.195
TBF 37/30/18 trsp	0500800000	B.195
T		

Order No.	Type	Page
-----------	------	------

0230000000

0235000000	IS 8 DIN 6911	E.22
------------	---------------	------

0260000000

0260700000	VG 11-MS54	C.9
0260800000	VG 13,5-MS54	C.9
0260900000	VG 21-MS54	C.9
0261000000	VG 29-MS54	C.9
0261400000	VG 16-MS54	C.9
0261500000	VG 9-MS54	C.9

0290000000

0294700000	VP 9-MS65	C.61
0294760000	VP 9-K54	C.60
0294800000	VP 11-MS65	C.61
0294860000	VP 11-K54	C.60
0294900000	VP 13,5-MS65	C.61
0294960000	VP 13,5-K54	C.60
0295000000	VP 16-MS65	C.61
0295060000	VP 16-K54	C.60
0295100000	VP 21-MS65	C.61
0295160000	VP 21-K54	C.60

0340000000

0342000000	KLIPPON K1	B.133
0342100000	KLIPPON K2	B.135
0342200000	KLIPPON K3	B.137
0342300000	KLIPPON K4	B.140
0342400000	KLIPPON K5	B.142
0342500000	KLIPPON K6	B.145
0342600000	KLIPPON K7	B.147

0360000000

0360100000	TBF 19/15/14 7035	B.194
0360200000	TBF 30/19/18 7035	B.194
0360300000	TBF 30/30/18 7035	B.195
0360400000	TBF 37/30/18 7035	B.195
0360500000	TBF 60/30/18 7035	B.197
0360800000	MF TBF	B.194

0400000000

0407900000	IS 6 DIN 6911	E.22
------------	---------------	------

0430000000

0433500000	SFNS5 VKMU M5 SW15	B.120
------------	--------------------	-------

0480000000

0485100000	IS 4 DIN 6911	E.22
------------	---------------	------

0490000000

0497600000	VG 36-MS54	C.9
0497700000	VG 42-MS54	C.9

0500000000

0500500000	TBF 19/15/14 trsp	B.194
0500600000	TBF 30/19/18 trsp	B.194
0500700000	TBF 30/30/18 trsp	B.195
0500800000	TBF 37/30/18 trsp	B.195
0500900000	TBF 60/30/21 trsp	B.197
0501100000	VP 29-MS65	C.61
0501600000	VP 29-K54	C.60
0501200000	VP 36-MS65	C.61
0501260000	VP 36-K54	C.60
0501300000	VP 42-MS65	C.61
0501360000	VP 42-K54	C.60

0520000000

0521500000	VG 7-MS54	C.9
0521600000	VP 7-MS65	C.61

0570000000

0573200000	KLIPPON K0	B.130
0573300000	KLIPPON K11	B.134
0573400000	KLIPPON K21	B.136
0573500000	KLIPPON K31	B.138
0573600000	KLIPPON K61	B.146
0573700000	KLIPPON K71	B.148

0640000000

0642600000	FKSC M6X8 D9/SW3	B.15
------------	------------------	------

0880000000

0885410000	KSPM M20 BSC	C.65
0885420000	KSPM M25 BSC	C.65
0885430000	KSPM M32 BSC	C.65

Order No.	Type	Page
-----------	------	------

0885440000	KSPM M40 BSC	C.65
0885450000	KSPM M50 BSC	C.65
0886670000	KSPA M20 BNI	C.64
0886680000	KSPA M25 BNI	C.64
0886690000	KSPA M32 BNI	C.64
0886700000	KSPA M40 BNI	C.64
0886710000	KSPA M50 BNI	C.64
0886720000	KSPM M20 SSC	C.65
0886730000	KSPM M25 SSC	C.65
0886740000	KSPM M32 SSC	C.65
0886750000	KSPM M40 SSC	C.65
0887480000	KSPM M16 BSC	C.65
0887490000	KSPA M16 BNI	C.64
0887500000	KSPM M16 SSC	C.65

0890000000

0899750000	KSWF M20	C.54
0899770000	KSWF M25	C.54
0899780000	KSWN M40	C.53

0900000000

0900660000	KSWN M50	C.53
0905680000	PADLOCK KLIPPON TB SS	B.15

0930000000

0930001211	KDSU M20 BS 0 SC 1 G16	C.32
0930001212	KDSU M20 BS 0 SC 2 G16	C.32
0930001221	KDSU M20 BS 0 NI 1 G16	C.33
0930001222	KDSU M20 BS 0 NI 2 G16	C.33
0930011213	KDSU M20 BS 0 SC 1 G20S	C.32
0930011214	KDSU M20 BS 0 SC 2 G20S	C.32
0930011223	KDSU M20 BS 0 NI 1 G20S	C.33
0930011224	KDSU M20 BS 0 NI 2 G20S	C.33
0930021211	KDSU M20 BS 0 SC 1 G20	C.32
0930021212	KDSU M20 BS 0 SC 2 G20	C.32
0930021221	KDSU M20 BS 0 NI 1 G20	C.33
0930021222	KDSU M20 BS 0 NI 2 G20	C.33
0930031211	KDSU M25 BS 0 SC 1 G25	C.32
0930031212	KDSU M25 BS 0 SC 2 G25	C.32
0930031221	KDSU M25 BS 0 NI 1 G25	C.33
0930031222	KDSU M25 BS 0 NI 2 G25	C.33
0930041211	KDSU M32 BS 0 SC 1 G32	C.32
0930041212	KDSU M32 BS 0 SC 2 G32	C.32
0930041221	KDSU M32 BS 0 NI 1 G32	C.33
0930041222	KDSU M32 BS 0 NI 2 G32	C.33
0930051212	KDSU M40 BS 0 SC 2 G40	C.32
0930051222	KDSU M40 BS 0 NI 2 G40	C.33
0930061213	KDSU M50 BS 0 SC 1 G50S	C.32
0930061224	KDSU M50 BS 0 NI 2 G50S	C.33
0930091222	KDSU M63 BS 0 NI 2 G63	C.33
0930111212	KDSU M75 BS 0 SC 2 G75	C.32
0930481212	KSG M20 BS 0 SC 2 G16	C.43
0930481222	KSG M20 BS 0 NI 2 G16	C.43
0930491224	KSG M20 BS 0 NI 2 G20S	C.43
0930501212	KSG M20 BS 0 SC 2 G20	C.43
0930501222	KSG M20 BS 0 NI 2 G20	C.43
0930511212	KSG M25 BS 0 SC 2 G25	C.43
0930511222	KSG M25 BS 0 NI 2 G25	C.43
0930521212	KSG M32 BS 0 NI 2 G40	C.43
0930521222	KSG M32 BS 0 NI 2 G32	C.43
0930531212	KSG M40 BS 0 SC 2 G40	C.43
0930531222	KSG M40 BS 0 NI 2 G40	C.43
0930551212	KSG M50 BS 0 SC 2 G50	C.43
0930640001	SKMU M16 MS SC	C.49
0930640002	SKMU M20 MS SC	C.49
0930640003	SKMU M25 MS SC	C.49
0930640004	SKMU M32 MS SC	C.49
0930640005	SKMU M40 MS SC	C.49
0930640006	SKMU M50 MS SC	C.49
0930640007	SKMU M63 MS SC	C.49
0930640008	SKMU M75 MS SC	C.49
0930640009	SKMU M80 MS SC	C.49
0930640010	SKMU M85 MS SC	C.49
0930640011	SKMU M90 MS SC	C.49
0930700001	KSP L24 S	C.58
0930700002	KSP L30 S	C.58
0930700003	KSP L38 S	C.58
0930700004	KSP L46 S	C.58
0930700005	KSP L55 S	C.58
0930700006	KSP L65 S	C.58
0930700007	KSP L80 S	C.58
0930700008	KSP L90 S	C.58
0930710001	EA-RING MS/M16 SC	C.56
0930710002	EA-RING MS/M20 SC	C.56
0930710003	EA-RING MS/M25 SC	C.56
0930710004	EA-RING MS/M32 SC	C.56
0930710005	EA-RING MS/M40 SC	C.56
0930710006	EA-RING MS/M50 SC	C.56
0930710007	EA-RING MS/M63 SC	C.56
0930710008	EA-RING MS/M75 SC	C.56
0930730002	KSWN M20	C.53
0935110000	SP M6 10 S2	B.15
0935120000	SP M6 15 S2	B.15
0935130000	SP M6 20 S2	B.15
0935140000	SP M6 30 S2	B.15

Order No.	Type	Page
-----------	------	------

1000000000

1002690000	KLIPPON STB 1 SS	B.120
1002700000	KLIPPON STB 5 SS	B.126
1002710000	KLIPPON STB 4 SS	B.125
1002720000	KLIPPON STB 3 SS	B.124
1002730000	KLIPPON STB 2.1 SS	B.123
1002740000	KLIPPON STB 2 SS	B.122
1002750000	KLIPPON STB 1.1 SS	B.121
1002760000	KLIPPON STB 6 SS	B.127
1005190000	VGM16-MS54ZE BS4-10	C.13
1005200000	VGM16-MS54ZE BS6.5-12.5	C.13
1005210000	VGM20-MS54ZE BS1	C.13
1005220000	VGM20-MS54ZE BS6.5-15	C.13
1005230000	VGM25-MS54ZE BS9-19	C.13
1005240000	VGM32-MS54ZE BS17-27	C.13
1009560000	VG M20-MS54 ZR 4-13	C.10
1009570000	VG M25-MS54 ZR 8.5-18	C.10
1009580000	VG M32-MS54 ZR 16-26	C.10
1009590000	VG M40-MS54 ZR 23-30	C.10
1009600000	VG M50-MS54 ZR 32-40	C.10
1009610000	VGP613.5-MS54ZR7.5-12.5	C.10
1009620000	VG PG16-MS54 ZR 7.5-15	C.10
1009630000	VG PG21-MS54 ZR 10-19	C.10
1009640000	VG PG29-MS54 ZR 18-27	C.10
1009650000	VG PG36-MS54 ZR 24-33	C.10
1009670000	VG PG42-MS54 ZR 30-39	C.10
1009740000	VG 7-SS 68 KB 3-6.5	C.17
1009750000	VG 9-SS 68 KB 4-8	C.17
1009760000	VG 11-SS 68 KB 5-10	C.17
1009780000	VG 16-SS 68 KB 10-14	C.17
1009790000	VG 21-SS 68 KB 13-18	C.17
1009800000	VG 29-SS 68 KB 18-25	C.17
1009810000	VG 36-SS 68 KB 22-32	C.17
1009820000	VG 42-SS 68 KB 30-38	C.17
1009830000	VG 48-SS 68 KB 34-44	C.17
1009840000	VGM12-SS 68 KB 3-6.5	C.17
1009850000	VGM16-SS 68 KB 4-8	C.17
1009860000	VGM20-SS 68 KB 6-12	C.17
1009870000	VGM25-SS 68 KB 10-14	C.17
1009880000	VGM32-SS 68 KB 13-18	C.17
1009890000	VGM40-SS 68 KB 18-25	C.17
1009900000	VGM50-SS 68 KB 22-32	C.17
1009910000	VGM63-SS 68 KB 34-44	C.17

1020000000

1024970000	KLIPPON STB 1 MS HT	B.120
1024980000	KLIPPON STB 1.1 MS HT	B.121
1024990000	KLIPPON STB 2 MS HT	B.122
1025010000	KLIPPON STB 2.1 MS HT	B.123
1025020000	KLIPPON STB 3 MS HT	B.124
1025030000	KLIPPON STB 4 MS HT	B.125
1025040000	KLIPPON STB 5 MS HT	B.126
1025050000	KLIPPON STB 6 MS HT	B.127

1030000000

1039850000	CABTITE KEL-DP 24/14	D.7
1039870000	CABTITE KEL-DP 24/17	D.7
1039890000	CABTITE KEL-DP 24/19	D.7
1039930000	CABTITE KEL-DP 24/26	D.7
1039940000	CABTITE KEL-DP 24/48	D.7
1039950000	CABTITE KEL-DP 24/50	D.7
1039960000	CABTITE KZL 140 TS39	D.9
1039970000	CABTITE KZL 80 TS35	D.9
1039990000	CABTITE KZL 39 TS35	D.9

1040000000

1040030000	CABTITE KZL 140 C	D.9
1040060000	CABTITE KZL 80 C	D.9

Table with 3 columns: Order No., Type, Page. Contains order numbers 1076260000 to 1076790000.

Table with 3 columns: Order No., Type, Page. Contains order numbers 1095490000 to 1095570000.

1120000000

Table with 3 columns: Order No., Type, Page. Contains order number 1128540000.

1130000000

Table with 3 columns: Order No., Type, Page. Contains order numbers 1135240000 to 1136510000.

Table with 3 columns: Order No., Type, Page. Contains order numbers 1136520000 to 1137090000.

1190000000

Table with 3 columns: Order No., Type, Page. Contains order numbers 1191590000 to 1194770000.

Table with 3 columns: Order No., Type, Page. Contains order numbers 1194780000 to 1196010000.

1080000000

Table with 3 columns: Order No., Type, Page. Contains order numbers 1083280000 to 1083430000.

1090000000

Table with 3 columns: Order No., Type, Page. Contains order numbers 1095100000 to 1095480000.



Order No.	Type	Page
1196020000	KTb FS 403015 S4E2	B.74
1196030000	KTb FS 403015 S4E3	B.74
1196040000	KTb FS 403015 S4E4	B.74
1196060000	KTb FS 403020 S4E1	B.75
1196070000	KTb FS 403020 S4E2	B.75
1196080000	KTb FS 403020 S4E3	B.75
1196090000	KTb FS 403020 S4E4	B.75
1196110000	KTb FS 453815 S4E1	B.76
1196120000	KTb FS 453815 S4E2	B.76
1196130000	KTb FS 453815 S4E3	B.76
1196140000	KTb FS 453815 S4E4	B.76
1196160000	KTb FS 453820 S4E1	B.77
1196170000	KTb FS 453820 S4E2	B.77
1196180000	KTb FS 453820 S4E3	B.77
1196190000	KTb FS 453820 S4E4	B.77
1196210000	KTb FS 484815 S4E1	B.78
1196220000	KTb FS 484815 S4E2	B.78
1196230000	KTb FS 484815 S4E3	B.78
1196240000	KTb FS 484815 S4E4	B.78
1196260000	KTb FS 484820 S4E1	B.79
1196270000	KTb FS 484820 S4E2	B.79
1196280000	KTb FS 484820 S4E3	B.79
1196290000	KTb FS 484820 S4E4	B.79
1196310000	KTb FS 553515 S4E1	B.80
1196320000	KTb FS 553515 S4E2	B.80
1196330000	KTb FS 553515 S4E3	B.80
1196340000	KTb FS 553515 S4E4	B.80
1196360000	KTb FS 553520 S4E1	B.81
1196370000	KTb FS 553520 S4E2	B.81
1196380000	KTb FS 553520 S4E3	B.81
1196390000	KTb FS 553520 S4E4	B.81
1196410000	KTb FS 624515 S4E1	B.82
1196420000	KTb FS 624515 S4E2	B.82
1196430000	KTb FS 624515 S4E3	B.82
1196440000	KTb FS 624515 S4E4	B.82
1196460000	KTb FS 624520 S4E1	B.83
1196470000	KTb FS 624520 S4E2	B.83
1196480000	KTb FS 624520 S4E3	B.83
1196490000	KTb FS 624520 S4E4	B.83
1196510000	KTb FS 765015 S4E1	B.84
1196520000	KTb FS 765015 S4E2	B.84
1196530000	KTb FS 765015 S4E3	B.84
1196540000	KTb FS 765015 S4E4	B.84
1196560000	KTb FS 765020 S4E1	B.85
1196570000	KTb FS 765020 S4E2	B.85
1196580000	KTb FS 765020 S4E3	B.85
1196590000	KTb FS 765020 S4E4	B.85
1196610000	KTb FS 916115 S4E1	B.86
1196620000	KTb FS 916115 S4E2	B.86
1196630000	KTb FS 916115 S4E3	B.86
1196640000	KTb FS 916115 S4E4	B.86
1196660000	KTb FS 916120 S4E1	B.87
1196670000	KTb FS 916120 S4E2	B.87
1196680000	KTb FS 916120 S4E3	B.87
1196690000	KTb FS 916120 S4E4	B.87
1196710000	KTb FS 987420 S4E1	B.88
1196720000	KTb FS 987420 S4E2	B.88
1196730000	KTb FS 987420 S4E3	B.88
1196740000	KTb FS 987420 S4E4	B.88
1197200000	KTbI FS 302015 S2E0	B.107
1197210000	KTbI FS 302015 S2E1	B.107
1197220000	KTbI FS 303015 S2E0	B.108
1197230000	KTbI FS 303015 S2E1	B.108
1197240000	KTbI FS 303022 S2E0	B.109
1197250000	KTbI FS 303022 S2E1	B.109
1197260000	KTbI FS 403015 S2E0	B.110
1197270000	KTbI FS 403015 S2E1	B.110
1197280000	KTbI FS 403022 S2E0	B.111
1197290000	KTbI FS 403022 S2E1	B.111
1197300000	KTbI FS 404022 S2E0	B.112
1197310000	KTbI FS 404022 S2E1	B.112
1197320000	KTbI FS 504022 S2E0	B.113
1197330000	KTbI FS 504022 S2E1	B.113
1197340000	KTbI FS 505022 S2E0	B.114
1197350000	KTbI FS 505022 S2E1	B.114
1197360000	KTbI FS 604022 S2E0	B.115
1197370000	KTbI FS 604022 S2E1	B.115
1197380000	KTbI FS 606022 S2E0	B.116
1197390000	KTbI FS 606022 S2E1	B.116
1197400000	KTbI FS 806022 S2E0	B.117
1197410000	KTbI FS 806022 S2E1	B.117
1197430000	KTbI QL 302015 S2E0	B.93
1197440000	KTbI QL 302015 S2E1	B.93
1197450000	KTbI QL 303015 S2E0	B.94
1197460000	KTbI QL 303015 S2E1	B.94
1197470000	KTbI QL 303022 S2E0	B.95
1197480000	KTbI QL 303022 S2E1	B.95
1197490000	KTbI QL 403015 S2E0	B.96
1197500000	KTbI QL 403015 S2E1	B.96
1197510000	KTbI QL 403022 S2E0	B.97
1197520000	KTbI QL 403022 S2E1	B.97
1197530000	KTbI QL 404022 S2E0	B.98
1197540000	KTbI QL 404022 S2E1	B.98
1197550000	KTbI QL 504022 S2E0	B.99
1197560000	KTbI QL 504022 S2E1	B.99
1197570000	KTbI QL 505022 S2E0	B.100
1197580000	KTbI QL 505022 S2E1	B.100
1197590000	KTbI QL 604022 S2E0	B.101
1197600000	KTbI QL 604022 S2E1	B.101

Order No.	Type	Page
1197610000	KTbI QL 606022 S2E0	B.102
1197620000	KTbI QL 606022 S2E1	B.102
1197630000	KTbI QL 806022 S2E0	B.103
1197640000	KTbI QL 806022 S2E1	B.103
1199860000	KTb QL 221513 S4E1	B.41
1199870000	KTb QL 221513 S4E2	B.41
1199880000	KTb QL 221513 S4E3	B.41
1199890000	KTb QL 221513 S4E4	B.41
1199910000	KTb QL 262615 S4E1	B.42
1199920000	KTb QL 262615 S4E2	B.42
1199930000	KTb QL 262615 S4E3	B.42
1199940000	KTb QL 262615 S4E4	B.42
1199960000	KTb QL 262620 S4E1	B.43
1199970000	KTb QL 262620 S4E2	B.43
1199980000	KTb QL 262620 S4E3	B.43
1199990000	KTb QL 262620 S4E4	B.43

1200000000

1200020000	KTb QL 303015 S4E1	B.44
1200030000	KTb QL 303015 S4E2	B.44
1200040000	KTb QL 303015 S4E3	B.44
1200050000	KTb QL 303015 S4E4	B.44
1200070000	KTb QL 303020 S4E1	B.45
1200080000	KTb QL 303020 S4E2	B.45
1200090000	KTb QL 303020 S4E3	B.45
1200100000	KTb QL 303020 S4E4	B.45
1200120000	KTb QL 352615 S4E1	B.46
1200130000	KTb QL 352615 S4E2	B.46
1200140000	KTb QL 352615 S4E3	B.46
1200150000	KTb QL 352615 S4E4	B.46
1200170000	KTb QL 352620 S4E1	B.47
1200180000	KTb QL 352620 S4E2	B.47
1200190000	KTb QL 352620 S4E3	B.47
1200210000	KTb QL 352620 S4E4	B.47
1200230000	KTb QL 403015 S4E1	B.48
1200240000	KTb QL 403015 S4E2	B.48
1200250000	KTb QL 403015 S4E3	B.48
1200260000	KTb QL 403015 S4E4	B.48
1200280000	KTb QL 403020 S4E1	B.49
1200290000	KTb QL 403020 S4E2	B.49
1200310000	KTb QL 403020 S4E3	B.49
1200320000	KTb QL 403020 S4E4	B.49
1200340000	KTb QL 453815 S4E1	B.50
1200350000	KTb QL 453815 S4E2	B.50
1200360000	KTb QL 453815 S4E3	B.50
1200370000	KTb QL 453815 S4E4	B.50
1200390000	KTb QL 453820 S4E1	B.51
1200410000	KTb QL 453820 S4E2	B.51
1200420000	KTb QL 453820 S4E3	B.51
1200430000	KTb QL 453820 S4E4	B.51
1200450000	KTb QL 484815 S4E1	B.52
1200460000	KTb QL 484815 S4E2	B.52
1200470000	KTb QL 484815 S4E3	B.52
1200480000	KTb QL 484815 S4E4	B.52
1200510000	KTb QL 484820 S4E1	B.53
1200520000	KTb QL 484820 S4E2	B.53
1200530000	KTb QL 484820 S4E3	B.53
1200540000	KTb QL 484820 S4E4	B.53
1200560000	KTb QL 553515 S4E1	B.54
1200570000	KTb QL 553515 S4E2	B.54
1200580000	KTb QL 553515 S4E3	B.54
1200590000	KTb QL 553515 S4E4	B.54
1200620000	KTb QL 553520 S4E1	B.55
1200630000	KTb QL 553520 S4E2	B.55
1200640000	KTb QL 553520 S4E3	B.55
1200650000	KTb QL 553520 S4E4	B.55
1200670000	KTb QL 624515 S4E1	B.56
1200680000	KTb QL 624515 S4E2	B.56
1200690000	KTb QL 624515 S4E3	B.56
1200710000	KTb QL 624515 S4E4	B.56
1200730000	KTb QL 624520 S4E1	B.57
1200740000	KTb QL 624520 S4E2	B.57
1200750000	KTb QL 624520 S4E3	B.57
1200760000	KTb QL 624520 S4E4	B.57
1200780000	KTb QL 765015 S4E1	B.58
1200790000	KTb QL 765015 S4E2	B.58
1200810000	KTb QL 765015 S4E3	B.58
1200820000	KTb QL 765015 S4E4	B.58
1200840000	KTb QL 765020 S4E1	B.59
1200850000	KTb QL 765020 S4E2	B.59
1200860000	KTb QL 765020 S4E3	B.59
1200870000	KTb QL 765020 S4E4	B.59
1200890000	KTb QL 916115 S4E1	B.60
1200910000	KTb QL 916115 S4E2	B.60
1200920000	KTb QL 916115 S4E3	B.60
1200930000	KTb QL 916115 S4E4	B.60
1200950000	KTb QL 916120 S4E1	B.61
1200960000	KTb QL 916120 S4E2	B.61
1200970000	KTb QL 916120 S4E3	B.61
1200980000	KTb QL 916120 S4E4	B.61
1201010000	KTb QL 987420 S4E1	B.62
1201020000	KTb QL 987420 S4E2	B.62
1201030000	KTb QL 987420 S4E3	B.62
1201040000	KTb QL 987420 S4E4	B.62
1209890000	KSPM M16 PL	C.66
1209910000	KSPM M20 PL	C.66
1209920000	KSPM M25 PL	C.66
1209930000	KSPM M32 PL	C.66

Order No.	Type	Page
1209940000	KSPM M40 PL	C.66
1209950000	KSPM M50 PL	C.66
1210890000	VP M16 EXE MS	C.63
1210900000	VP M20 EXE MS	C.63
1210910000	VP M25 EXE MS	C.63
1210920000	VP M32 EXE MS	C.63
1210930000	VP M40 EXE MS	C.63
1210940000	VP M50 EXE MS	C.63
1210950000	VP M63 EXE MS	C.63

1250000000

1252190000	TPSD FIXING SET KTb	B.15
1252730000	DOHA KTb A4 S2 R	B.26
1252750000	DOHA KTb A5 S2 R	B.24
1252780000	DOHA KTb A6 S2 R	B.16
1253230000	DESC M6X14 KTb SET	B.15
1256270000	KTb GP 221513 AB S4 6MM	B.15
1256280000	KTb GP 221513 CD S4 6MM	B.15
1256290000	KTb GP 262615 AB S4 6MM	B.16
1256310000	KTb GP 262615 CD S4 6MM	B.16
1256320000	KTb GP 262620 AB S4 6MM	B.17
1256330000	KTb GP 262620 CD S4 6MM	B.17
1256340000	KTb GP 303015 AB S4 6MM	B.18
1256350000	KTb GP 303015 CD S4 6MM	B.18
1256360000	KTb GP 303020 AB S4 6MM	B.19
1256370000	KTb GP 303020 CD S4 6MM	B.19
1256380000	KTb GP 352615 AB S4 6MM	B.20
1256390000	KTb GP 352615 CD S4 6MM	B.20
1256410000	KTb GP 352620 AB S4 6MM	B.21
1256420000	KTb GP 352620 CD S4 6MM	B.21
1256430000	KTb GP 403015 AB S4 6MM	B.22
1256440000	KTb GP 403015 CD S4 6MM	B.22
1256450000	KTb GP 403020 AB S4 6MM	B.23
1256470000	KTb GP 403020 CD S4 6MM	B.23
1256480000	KTb GP 453815 AB S4 6MM	B.24
1256490000	KTb GP 453815 CD S4 6MM	B.24
1256510000	KTb GP 453820 AB S4 6MM	B.25
1256520000	KTb GP 453820 CD S4 6MM	B.25
1256530000	KTb GP 484815 AB S4 6MM	B.26
1256540000	KTb GP 484815 CD S4 6MM	B.26
1256550000	KTb GP 484820 AB S4 6MM	B.27
1256560000	KTb GP 484820 CD S4 6MM	B.27
1256570000	KTb GP 553515 AB S4 6MM	B.28
1256580000	KTb GP 553515 CD S4 6MM	B.28
1256590000	KTb GP 553520 AB S4 6MM	B.29
1256610000	KTb GP 553520 CD S4 6MM	B.29
1256620000	KTb GP 624515 AB S4 6MM	B.30
1256630000	KTb GP 624515 CD S4 6MM	B.30
1256640000	KTb GP 624520 AB S4 6MM	B.31
1256650000	KTb GP 624520 CD S4 6MM	B.31
1256660000	KTb GP 765015 AB S4 6MM	B.32
1256670000	KTb GP 765015 CD S4 6MM	B.32
1256680000	KTb GP 765020 AB S4 6MM	B.33
1256690000	KTb GP 765020 CD S4 6MM	B.33
1256700000	KTb GP 916115 AB S4 6MM	B.34
1256710000	KTb GP 916115 CD S4 6MM	B.34
1256720000	KTb GP 916120 AB S4 6MM	B.35
1256730000	KTb GP 916120 CD S4 6MM	B.35
1256740000	KTb GP 987420 AB S4 6MM	B.36
1256750000	KTb GP 987420 CD S4 6MM	

Order No.	Type	Page
-----------	------	------

1320000000

1323880000	SD TO 0,6X3,0	E.18
------------	---------------	------

1340000000

1344630000	KLIPPON BDX M20X15 S	C.73
------------	----------------------	------

1390000000

1390910000	KLIPPON COPL 080806	B.166
1390920000	KLIPPON COPL 081106	B.167
1390930000	KLIPPON COPL 081606	B.168
1390940000	KLIPPON COPL 081906	B.169
1390950000	KLIPPON COPL 082306	B.170
1390970000	KLIPPON COPL 121209	B.171
1390980000	KLIPPON COPL 122209	B.172
1390990000	KLIPPON COPL 161609	B.173
1391000000	KLIPPON COPL 162609	B.174
1391010000	KLIPPON COPL 163609	B.175
1391020000	KLIPPON COPL 165609	B.176
1391030000	KLIPPON COPL 252512/16	B.177
1391030000	KLIPPON COPL 252512/16	B.181
1391040000	KLIPPON COPL 254012/16	B.178
1391040000	KLIPPON COPL 254012/16	B.182
1391050000	KLIPPON COPL 256012	B.179
1391070000	KLIPPON COPL 404012	B.180

1560000000

1565240000	KLIPPON K01	B.131
1565240000	KLIPPON K01	B.150
1565250000	KLIPPON K02	B.132
1565260000	KLIPPON K32	B.139
1565270000	KLIPPON K41	B.141
1565270000	KLIPPON K41	B.150
1565280000	KLIPPON K51	B.143
1565290000	KLIPPON K52	B.144
1565290000	KLIPPON K52	B.150
1565400000	Klippon POK31	B.169
1565410000	Klippon POK 51	B.173
1565410000	Klippon POK 51	B.184
1565420000	Klippon POK 8	B.177
1565430000	Klippon POK 9	B.178
1565440000	Klippon POK 10	B.180
1568970000	VG 7-K68	C.7
1568980000	VG 9-K68	C.7
1568990000	VG 11-K68	C.7
1569000000	VG 13,5-K68	C.7
1569010000	VG 16-K68	C.7
1569020000	VG 21-K68	C.7
1569030000	VG 29-K68	C.7
1569040000	VG 36-K68	C.7
1569050000	VG 42-K68	C.7
1569060000	VG 7-MS68	C.11
1569070000	VG 9-MS68	C.11
1569080000	VG 11-MS68	C.11
1569090000	VG 13,5-MS68	C.11
1569100000	VG 16-MS68	C.11
1569110000	VG 21-MS68	C.11
1569120000	VG 29-MS68	C.11
1569130000	VG 36-MS68	C.11
1569140000	VG 42-MS68	C.11

1580000000

1580360000	HG K+POK	B.134
------------	----------	-------

1650000000

1656390000	KV 11-M	C.14
1656400000	KV 13-M	C.14
1656410000	KV 16-M	C.14
1656420000	KV 21-M	C.14
1656430000	KV 29-M	C.14

1690000000

1694070000	SKMU PG7-MS	C.48
1694080000	SKMU PG9-MS	C.48
1694090000	SKMU PG11-MS	C.48
1694100000	SKMU PG13,5-MS	C.48
1694110000	SKMU PG16-MS	C.48
1697440000	SKMU PG7-K GR	C.46
1697450000	SKMU PG9-K GR	C.46
1697460000	SKMU PG11-K GR	C.46
1697470000	SKMU PG 13,5-K GR	C.46
1697480000	SKMU PG16-K GR	C.46
1698220000	SKMU PG21-K GR	C.46
1698230000	SKMU PG29-K GR	C.46
1698240000	SKMU PG36-K GR	C.46
1698250000	SKMU PG42-K GR	C.46

1700000000

1706860000	VG EMV PG 9/11	C.15
1706870000	VG EMV PG 11	C.15
1706880000	VG EMV PG 13,5	C.15
1706890000	VG EMV PG 16 K14	C.15

Order No.	Type	Page
-----------	------	------

1706900000	VG EMV PG 21 K18	C.15
1706910000	VG EMV PG 29 K26	C.15
1706920000	VG EMV M18X1,5	C.15
1706930000	VG EMV M24X1,5	C.15
1706940000	VG EMV M20X1,5	C.15
1706950000	VG EMV M25X1,5	C.15

1710000000

1713870000	VG EMV PG 7/9	C.15
1713880000	VG EMV PG 16 K18	C.15
1713890000	VG EMV PG K28	C.15
1713900000	VG EMV PG 29 K29	C.15
1718770000	VG 48-K68	C.7
1718780000	VG 48-MS54	C.9
1718790000	VG 48-MS68	C.11
1718800000	VG 7-MS54-ZE	C.12
1718810000	VG 9-MS54-ZE	C.12
1718820000	VG 11-MS54-ZE	C.12
1718830000	VG 13,5-MS54-ZE	C.12
1718840000	VG 16-MS54-ZE	C.12
1718850000	VG 21-MS54-ZE	C.12
1718860000	VG 29-MS54-ZE	C.12
1718870000	VG 36-MS54-ZE	C.12
1718880000	VG 42-MS54-ZE	C.12
1718890000	VG 48-MS54-ZE	C.12
1718900000	SKMU EMV PG7	C.50
1718910000	SKMU EMV PG9	C.50
1718920000	SKMU EMV PG11	C.50
1718930000	SKMU EMV PG13,5	C.50
1718940000	SKMU EMV PG16	C.50
1718950000	SKMU EMV PG21	C.50
1718960000	SKMU EMV PG29	C.50
1719090000	SKMU PG48-K GR	C.46
1719100000	SKMU PG7-K SW	C.47
1719110000	SKMU PG9-K SW	C.47
1719120000	SKMU PG11-K SW	C.47
1719130000	SKMU PG13,5-K SW	C.47
1719140000	SKMU PG16-K SW	C.47
1719150000	SKMU PG21-K SW	C.47
1719160000	SKMU PG29-K SW	C.47
1719170000	SKMU PG36-K SW	C.47
1719180000	SKMU PG42-K SW	C.47
1719190000	SKMU PG48-K SW	C.47
1719200000	SKMU PG21-MS	C.48
1719210000	SKMU PG29-MS	C.48
1719220000	SKMU PG36-MS	C.48
1719230000	SKMU PG42-MS	C.48
1719240000	SKMU PG48-MS	C.48
1719250000	VP 7-K54	C.60
1719260000	VP 48-K54	C.60
1719270000	VP 48-MS65	C.61
1719440000	GWDR PG7-PO	C.51
1719450000	GWDR PG9-PO	C.51
1719460000	GWDR PG11-PO	C.51
1719470000	GWDR PG13,5-PO	C.51
1719480000	GWDR PG16-PO	C.51
1719490000	GWDR PG21-PO	C.51
1719500000	GWDR PG29-PO	C.51
1719510000	GWDR PG36-PO	C.51
1719520000	GWDR PG42-PO	C.51
1719530000	GWDR PG48-PO	C.51
1719540000	GWDR PG7-NP	C.52
1719550000	GWDR PG9-NP	C.52
1719560000	GWDR PG11-NP	C.52
1719570000	GWDR PG13,5-NP	C.52
1719580000	GWDR PG16-NP	C.52
1719590000	GWDR PG21-NP	C.52
1719600000	GWDR PG29-NP	C.52
1719610000	GWDR PG36-NP	C.52
1719620000	GWDR PG42-NP	C.52
1719630000	GWDR PG48-NP	C.52
1719740000	EWS M 25X1,5	C.72

1720000000

1720480000	VG 9-K68 SKS	C.8
1720490000	VG 11-K68 SKS	C.8
1720500000	VG 13,5-K68 SKS	C.8
1720510000	VG 16-K68 SKS	C.8
1720520000	VG 21-K68 SKS	C.8

1730000000

1736230000	GWDR M16-NP	C.52
1736240000	GWDR M20-NP	C.52
1736250000	GWDR M25-NP	C.52
1736260000	GWDR M32-NP	C.52
1736270000	GWDR M40-NP	C.52
1736280000	GWDR M50-NP	C.52
1736290000	GWDR M63-NP	C.52
1736300000	SZS M16	C.59
1736310000	SZS M20	C.59
1736320000	SZS M25	C.59
1736330000	SZS M32	C.59
1736340000	SZS M40	C.59
1736350000	SZS M50	C.59
1736360000	SZS M63	C.59
1736480000	EA-RING MS/M 16	C.55

Order No.	Type	Page
-----------	------	------

1736490000	EA-RING MS/M 20	C.55
1736500000	EA-RING MS/M 25	C.55
1736510000	EA-RING MS/M 32	C.55
1736520000	EA-RING MS/M 40	C.55
1736530000	EA-RING MS/M 50	C.55
1736540000	EA-RING MS/M 63	C.55
1736550000	EA-RING MS/M 75	C.55
1736570000	KSP L24	C.57
1736580000	KSP L30	C.57
1736590000	KSP L36	C.57
1736600000	KSP L48	C.57
1736610000	KSP L55	C.57
1736620000	KSP L65	C.57
1736630000	KSP L80	C.57
1736640000	KSP L90	C.57
1736670000	KSP EL30	C.57
1736680000	KSP EL38	C.57
1736920000	SKMU M16 K SW	C.47
1736930000	SKMU M20 K SW	C.47
1736940000	SKMU M25 K SW	C.47
1736950000	SKMU M32 K SW	C.47
1736960000	SKMU M40 K SW	C.47
1736970000	SKMU M50 K SW	C.47
1736980000	SKMU M63 K SW	C.47
1736990000	SKMU M16 MS	C.48
1737000000	SKMU M20 MS	C.48
1737010000	SKMU M25 MS	C.48
1737020000	SKMU M32 MS	C.48
1737030000	SKMU M40 MS	C.48
1737040000	SKMU M50 MS	C.48
1737050000	SKMU M63 MS	C.48
1737060000	SKMU M75 MS	C.48
1737070000	VP M16-EXE SW	C.62
1737080000	VP M20-EXE SW	C.62
1737090000	VP M25-EXE SW	C.62
1737100000	VP M32-EXE SW	C.62
1737110000	VP M40-EXE SW	C.62
1737120000	VP M50-EXE SW	C.62
1737130000	VP M63-EXE SW	C.62
1737140000	VP M16-EXE MS	B.152
1737150000	VP M20-EXE MS	B.153
1737420000	ADAP EX 3NPT-M16	C.67
1737430000	ADAP EX 2 1/2NPT-M16	C.67
1737440000	ADAP EX 2NPT-M16	C.67
1737490000	ADAP EX 1 1/2NPT-M16	C.67
1737500000	ADAP EX M75-M16	C.68
1737510000	ADAP EX M63-M16	C.68
1737520000	ADAP EX M50-M16	C.68
1737530000	ADAP EX M40-M16	C.68
1737540000	ADAP EX M32-M16	C.68
1737550000	ADAP EX M25-M16	C.68
1737560000	ADAP EX M20-M16	B.154
1737580000	ADAP EX 3NPT-M20	C.67
1737590000	ADAP EX 2 1/2NPT-M20	C.67
1737600000	ADAP EX 2NPT-M20	C.67
1737630000	ADAP EX 1NPT-M20	C.67
1737640000	ADAP EX 3/4NPT-M20	C.67
1737650000	ADAP EX 1 1/2NPT-M20	C.67
1737660000	ADAP EX M75-M20	C.68
1737670000	ADAP EX M63-M20	C.68
1737680000	ADAP EX M50-M20	C.68
1737690000	ADAP EX M40-M20	C.68
1737700000	ADAP EX M32-M20	C.68
1737710000	ADAP EX M25-M20	C.68
1737720000	ADAP EX M20-M20	C.68
1737730000	ADAP EX M16-M20	C.68
1737740000	ADAP EX 3NPT-M25	C.67
1737750000	ADAP EX 2 1/2NPT-M25	C.67
1737760000	ADAP EX 2NPT-M25	C.67
1737790000	ADAP EX 1NPT-M25	C.67
1737800000	ADAP EX 3/4NPT-M25	C.67
1737810000	ADAP EX 1 1/2NPT-M25	C.67
1737820000	ADAP EX M75-M25	C.68
1737830000	ADAP EX M63-M25	C.68
1737840000	ADAP EX M50-M25	C.68
1737850000	ADAP EX M40-M25	C.68
1737860000	ADAP EX M32-M25	C.68
1737880000	ADAP EX M20-M25	C.68
1737890000	ADAP EX 3NPT-M32	C.67
1737900000	ADAP EX 2 1/2NPT-M32	C.67
1737910000	ADAP EX 2NPT-M32	C.67
1737950000	ADAP EX 3/4NPT-M32	C.67
1737960000	ADAP EX M75-M32	C.68
1737970000	ADAP EX M63-M32	C.68
1737980000	ADAP EX M50-M32	C.68
1737990000	ADAP EX M40-M32	C.68
1738010000	ADAP EX M25-M32	C.68
1738020000	ADAP EX 3NPT-M40	C.67
1738030000	ADAP EX 2 1/2NPT-M40	C.67
1738040000	ADAP EX 2NPT-M40	C.67
1738070000	ADAP EX 1NPT-M40	C.67
1738080000	ADAP EX M75-M40	C.68
1738090000	ADAP EX M63-M40	C.68
1738100000	ADAP EX M50-M40	C.68
1738110000	ADAP EX M40-M40	C.68
1738120000	ADAP EX M32-M40	C.68
1738130000	ADAP EX 3NPT-M50	C.67
1738140000	ADAP EX 2 1/2NPT-M50	C.67
1738150000	ADAP EX 2NPT-M50	C.67

Order No.	Type	Page
-----------	------	------

1738180000	ADAP EX M75-M50	C.68
------------	-----------------	------

Order No.	Type	Page
1772340000	VG M50 - K 68	C.7
1772350000	VG M63-1/K68	C.7
1772360000	SKMU M12 - MS	C.48
1772440000	SKMU M12 - K GR	C.46
1772450000	SKMU M16 - K GR	C.46
1772460000	SKMU M20 - K GR	C.46
1772470000	SKMU M25 - K GR	C.46
1772480000	SKMU M32 - K GR	C.46
1772490000	SKMU M40 - K GR	C.46
1772500000	SKMU M50 - K GR	C.46
1772510000	SKMU M63 - K GR	C.46
1776700000	VG M12-K68 SKS	C.8
1776710000	VG M16-K68 SKS	C.8
1776720000	VG M20-K68 SKS 10-14	C.8
1776730000	VG M25-K68 SKS	C.8
1776900000	VP M25 K54	C.60
1776910000	VP M20 K54	C.60
1776920000	VP M16 K54	C.60
1776930000	VP M12 K54	C.60
1776940000	VP M32 K54	C.60
1776950000	VP M40 K54	C.60
1776960000	VP M50 K54	C.60
1776970000	VP M63 K54	C.60
1777610000	SKMU EMV M12	C.50
1777620000	SKMU EMV M16	C.50
1777630000	SKMU EMV M20	C.50
1777640000	SKMU EMV M25	C.50
1777650000	SKMU EMV M32	C.50
1777660000	SKMU EMV M40	C.50
1777670000	SKMU EMV M50	C.50
1777680000	SKMU EMV M63	C.50
1777690000	SKMU EMV PG 48	C.50
1777700000	SKMU EMV PG 42	C.50
1777710000	SKMU EMV PG 36	C.50
1777720000	VP M12-MS65	C.61
1777730000	VP M16-MS65	C.61
1777740000	VP M20-MS65	C.61
1777750000	VP M25-MS65	C.61
1777760000	VP M32-MS65	C.61
1777770000	VP M40-MS65	C.61
1777780000	VP M50-MS65	C.61
1777790000	VP M63-MS65	C.61
1777920000	GWDR M12-P0	C.51
1777930000	GWDR M16-P0	C.51
1777940000	GWDR M20-P0	C.51
1777950000	GWDR M25-P0	C.51
1777960000	GWDR M32-P0	C.51
1777970000	GWDR M40-P0	C.51
1777980000	GWDR M50-P0	C.51
1777990000	GWDR M63-P0	C.51
1778300000	VGM63-MS54	C.9
1778310000	VGM50-MS54 KB 39,0-41,0	C.9
1778320000	VGM50-MS54 KB 31,0-33,0	C.9
1778330000	VGM40-MS54	C.9
1778340000	VGM32-MS54	C.9
1778350000	VGM25-MS54 KB 15,0-17,0	C.9
1778360000	VGM25-MS54 KB 12,0-14,0	C.9
1778370000	VGM20-MS54 KB 10,0-12,0	C.9
1778380000	VGM20-MS54 KB 8,0-10,0	C.9
1778390000	VGM16-MS54	C.9
1778400000	VGM12-MS54 KB 6,0-8,0	C.9
1778410000	VGM12-MS54 KB 5,0-7,0	C.9
1778420000	VGM12-MS54 ZE 5,0-7,0	C.12
1778430000	VGM16-MS54 ZE	C.12
1778450000	VGM20-MS54 ZE	C.12
1778460000	VGM20-MS54 ZE 6,0-13,5	C.12
1778480000	VGM25-MS54 ZE	C.12
1778490000	VGM32-MS54 ZE	C.12
1778500000	VGM40-MS54 ZE	C.12
1778520000	VGM50-MS54 ZE	C.12
1778530000	VGM63-MS54 ZE	C.12
1778860000	VG M20-K68 SKS 6-12	C.8

1800000000

1806540000	SKMU M12-K SW	C.47
1806630000	IS 2 KG	E.22
1806650000	IS 3 KG	E.22
1806660000	IS 4 KG	E.22

1820000000

1825750000	CABTITE KEL 16/4 EMV	D.8
1825760000	CABTITE KEL 24/5 EMV	D.8
1825860000	CABTITE KEL 16/2	D.5
1825900000	CABTITE KEL 16/4	D.5
1825910000	CABTITE KEL 16/8	D.5
1825930000	CABTITE KEL 24/4	D.5
1825940000	CABTITE KEL 24/5	D.5
1825950000	CABTITE KT 16	D.3
1826300000	CABTITE KT 17	D.3
1826310000	CABTITE KT 18	D.3
1826320000	CABTITE KT 19	D.3
1826330000	CABTITE KT 20	D.3
1826340000	CABTITE KT 21	D.3
1826350000	CABTITE KT 22	D.3
1826360000	CABTITE KT 23	D.3
1826370000	CABTITE KT 24	D.3
1826380000	CABTITE KT 25	D.3

Order No.	Type	Page
1826390000	CABTITE KT 26	D.3
1826400000	CABTITE KT 27	D.3
1826410000	CABTITE KT 28	D.3
1826420000	CABTITE KT 29	D.3
1826430000	CABTITE KT 30	D.3
1826440000	CABTITE KT 32	D.3
1826450000	CABTITE KT 34	D.3
1826460000	CABTITE KT 3	D.3
1826470000	CABTITE KT 4	D.3
1826480000	CABTITE KT 5	D.3
1826490000	CABTITE KT 6	D.3
1826500000	CABTITE KT 7	D.3
1826510000	CABTITE KT 8	D.3
1826520000	CABTITE KT 9	D.3
1826530000	CABTITE KT 10	D.3
1826540000	CABTITE KT 11	D.3
1826550000	CABTITE KT 12	D.3
1826560000	CABTITE KT 13	D.3
1826570000	CABTITE KT 14	D.3
1826580000	CABTITE KT 15	D.3
1826590000	CABTITE KT 16	D.3
1826600000	CABTITE KT 17	D.3
1826610000	CABTITE KT ASI	D.3
1826620000	CABTITE KT 2/4	D.3
1826630000	CABTITE KT 2/5	D.3
1826640000	CABTITE KT 2/6	D.3
1826650000	CABTITE KT 4/5	D.3
1826660000	CABTITE KV 1 25	D.10
1826670000	CABTITE KV 1 32	D.10
1827760000	CABTITE KEL 24/10	D.5
1827770000	CABTITE KEL SNAP 16	D.5
1827780000	CABTITE KEL SNAP 24	D.5
1827790000	CABTITE KT 3 b	D.3
1827800000	CABTITE KT 4 b	D.3
1827810000	CABTITE KT 5 b	D.3
1827830000	CABTITE KT 6 b	D.3
1827840000	CABTITE KT 7 b	D.3
1827850000	CABTITE KT 8 b	D.3
1827860000	CABTITE KT 9 b	D.3
1827870000	CABTITE KT 10 b	D.3
1827880000	CABTITE KT 11 b	D.3
1827890000	CABTITE KT 12 b	D.3
1827900000	CABTITE KT 13 b	D.3
1827910000	CABTITE KT 14 b	D.3
1827920000	CABTITE KT 15 b	D.3
1827930000	CABTITE KT 16 b	D.3
1827940000	CABTITE KT 17 b	D.3
1827950000	CABTITE KT 18 b	D.3
1827960000	CABTITE KT 19 b	D.3
1827970000	CABTITE KT 20 b	D.3
1828000000	CABTITE KT 21 b	D.3
1828010000	CABTITE KT 22 b	D.3
1828020000	CABTITE KT 23 b	D.3
1828030000	CABTITE KT 24 b	D.3
1828040000	CABTITE KT 25 b	D.3
1828050000	CABTITE KT 26 b	D.3
1828060000	CABTITE KT 27 b	D.3
1828070000	CABTITE KT 28 b	D.3
1828080000	CABTITE KT 29 b	D.3
1828090000	CABTITE KT 30 b	D.3
1828100000	CABTITE KT 32 b	D.3
1828110000	CABTITE KT 34 b	D.3
1828120000	CABTITE KT ASI b	D.3
1828130000	CABTITE KT 2/4 b	D.3
1828140000	CABTITE KT 2/5 b	D.3
1828150000	CABTITE KT 2/6 b	D.3
1828160000	CABTITE KT 4/5 b	D.3
1828170000	CABTITE KT BTK	D.3
1828180000	CABTITE KT BTG	D.3
1828190000	CABTITE KT ATG	D.3
1828200000	CABTITE KT BTK b	D.3
1828210000	CABTITE KT BTG b	D.3
1828220000	CABTITE KT ATG b	D.3
1828230000	CABTITE KV T 63-4	D.10
1828240000	CABTITE KV T 63-1	D.10
1828250000	CABTITE SUBDR	D.10

1840000000

1849760000	CABTITE KEL 24/7	D.5
1849770000	CABTITE KEL 16/5	D.5
1849780000	Cabrite Sample Kit	D.2

1860000000

1868550000	DAE M12 SS	C.70
1868560000	DAE M12 PA short	C.69
1868570000	DAE M12 PA long	C.69

1890000000

1898210000	MOPL K3 N FE	B.137
1898630000	MOPL K3 NT FE	B.137

1900000000

1905270000	MOPL K2 N FE	B.135
------------	--------------	-------

Order No.	Type	Page
1905280000	MOPL K1 N FE	B.133
1909260000	KDSU M20 BN 0 SC 2 G16	C.30
1909290000	KDSU M20 BN 0 SC 2 G20	C.30
1909300000	KDSU M20 BN 0 SC 2 G20	C.30
1909310000	KDSU M25 BN 0 SC 2 G25	C.30
1909320000	KDSU M32 BN 0 SC 2 G32	C.30
1909330000	KDSU M40 BN 0 SC 2 G40	C.30
1909340000	KDSU M50 BN 0 SC 2 G50S	C.30
1909350000	KDSU M50 BN 0 SC 2 G50	C.30
1909360000	KDSU M63 BN 0 SC 2 G63S	C.30
1909370000	KDSU M63 BN 0 SC 2 G63	C.30
1909380000	KSG M20 BN 0 SC 2 G16	C.42
1909400000	KSG M20 BN 0 SC 2 G20S	C.42
1909410000	KSG M20 BN 0 SC 2 G20	C.42
1909420000	KSG M25 BN 0 SC 2 G25	C.42
1909430000	KSG M32 BN 0 SC 2 G32	C.42
1909440000	KSG M40 BN 0 SC 2 G40	C.42
1909450000	KSG M50 BN 0 SC 2 G50S	C.42
1909460000	KSG M50 BN 0 SC 2 G50	C.42
1909470000	KSG M63 BN 0 SC 2 G63S	C.42
1909480000	KSG M63 BN 0 SC 2 G63	C.42
1909490000	VG M12 - MS 1/EMV	C.16
1909500000	VG M16 - MS 1/EMV	C.16
1909510000	VG M20 - MS 1/EMV	C.16
1909520000	VG M25 - MS 1/EMV	C.16
1909530000	VG M32 - MS 1/EMV	C.16
1909540000	VG M40 - MS 1/EMV	C.16
1909550000	VG M50 - MS 1/EMV	C.16
1909560000	VG M63 - MS 1/EMV	C.16
1909660000	VG M12-K67	C.6
1909670000	VG M16-K67 4-8	C.6
1909680000	VG M16-K67 5-10	C.6
1909690000	VG M20-K67 6-12	C.6
1909700000	VG M20-K67 10-14	C.6
1909710000	VG M25-K67	C.6
1909720000	VG M32-K67	C.6
1909730000	VG M40-K67	C.6
1909740000	VG M50-K67	C.6
1909750000	VG M63-K67	C.6
1909760000	VG PG7-K67	C.6
1909770000	VG PG9-K67	C.6
1909780000	VG PG11-K67	C.6
1909790000	VG PG13,5-K67	C.6
1909800000	VG PG16-K67	C.6
1909810000	VG PG21-K67	C.6
1909820000	VG PG29-K67	C.6
1909830000	VG PG36-K67	C.6
1909840000	VG PG42-K67	C.6
1909850000	VG PG48-K67	C.6
1909860000	VG M16-1/K68	C.7
1909870000	VG M25-1/K68	C.7
1909880000	VG M32-1/K68	C.7
1909890000	VG M40-1/K68	C.7
1909910000	VG M16-1/MS68	C.11
1909920000	VG M25-1/MS68	C.11
1909930000	VG M32-1/MS68	C.11
1909940000	VG M40-1/MS68	C.11
1909950000	VG M50-1/MS68	C.11
1909980000	TS15 60 Klippon K1 CSS	B.133
1909990000	TS15 64 Klippon K11	B.134

1910000000

1910010000	TS15 90 Klippon K2 CSS	B.135
1910020000	TS15 114 Klippon K21 CSS	B.136
1910030000	TS15 155 Klippon K3 CSS	B.137
1910040000	TS15 164 Klippon K31 CSS	B.138
1910050000	TS35/235 KLIPPON K32 CSS	B.139
1910060000	TS35 64 Klippon K4K11	B.140
1910070000	TS35 105 Klippon K41/POK4	B.141
1910080000	TS35/148 Klippon K5 CSS	B.142
1910090000	TS35/203 KLIPPON K51POK5	B.143
1910100000	TS35/140 Klippon K52 POK51	B.144
1910110000	TS35/172 KLIPPON K6 CSS	B.145
1910120000	TS35/239 KLIPPON K61POK6	B.146
1910130000	TS35/324 KLIPPON K7 CSS	B.147
1910140000	TS35/260 KLIPPON K71 CSS	B.148
1911380000	KDSU M20 BN 0 Ni 2 G16	C.31
1911390000	KDSU M20 BN 0 Ni 2 G20S	C.31
1911400000	KDSU M20 BN 0 Ni 2 G20	C.31
1911420000	KDSU M25 BN 0 Ni 2 G25	C.31
1911430000	KDSU M32 BN 0 Ni 2 G32	C.31
1911440000	KDSU M40 BN 0 Ni 2 G40	C.31
1911450000	KDSU M50 BN 0 Ni 2 G50S	C.31
1911460000	KDSU M50 BN 0 Ni 2 G50	C.31
1911480000	KDSU M63 BN 0 Ni 2 G63S	C.31
1911490000	KDSU M63 BN 0 Ni 2 G63	C.31
1911510000	KSG M20 BN 0 Ni 2 G16	C.42
1911540000	KSG M20 BN 0 Ni 2 G20S	C.42
1911560000	KSG M20 BN 0 Ni 2 G20	C.42
1911570000	KSG M25 BN 0 Ni 2 G25	C.42
1911580000	KSG M32 BN 0 Ni 2 G32	C.42
1911590000	KSG M40 BN 0 Ni 2 G40	C.42
1911600000	KSG M50 BN 0 Ni 2 G50S	C.42
1911610000	KSG M50 BN 0 Ni 2 G50	C.42
1911620000	KSG M63 BN 0 Ni 2 G63S	C.42
1911630000	KSG M63 BN 0 Ni 2 G63	C.42
191		

Order No.	Type	Page
8000004137	KL SET 21A4 S	B.158
8000004138	KL SET 5W4 S	B.159
8000004139	KL SET 424 S	B.159
8000004140	KL SET 18W4 S	B.161
8000004141	KL SET 15Z4 S	B.161
8000004142	KL SET 32W4 S	B.160
8000004143	KL SET 38Z2.5 S	B.162
8000004143	KL SET 38Z2.5 S	B.184
8000004143	KL SET 38Z2.5 S	B.190
8000004144	KL SET 6A4 S	B.184
8000004144	KL SET 6A4 S	B.186
8000004145	KL SET 10A4 S	B.184
8000004145	KL SET 10A4 S	B.187
8000004146	KL SET 18A4 S	B.184
8000004146	KL SET 18A4 S	B.188
8000004147	KLIPPPON K1 1.5M16AB CSS	B.153
8000004148	KLIPPPON K1 1M20AB CSS	B.153
8000004149	KLIPPPON K1 2M16AB CSS	B.154
8000004150	KLIPPPON K1 2M20AB CSS	B.154
8000004151	KLIPPPON K2 2M20AB CSS	B.155
8000004152	KLIPPPON K2 3M16AB CSS	B.156
8000004153	KLIPPPON K3 4M20AB CSS	B.157
8000004154	KLIPPPON K3 4M20AB CSS	B.158
8000004155	KLIPPPON K4 2M20AB CSS	B.159
8000004158	KLIPPPON K5 4M20AB CSS	B.161
8000004159	KLIPPPON K5 4M20AB CSS	B.162
8000004160	KLIPPPON POK1 2M16AB CSS	B.184
8000004160	KLIPPPON POK1 2M16AB CSS	B.186
8000004161	KLIPPPON POK2 2M20AB CSS	B.184
8000004161	KLIPPPON POK2 2M20AB CSS	B.187
8000004162	KLIPPPON POK3 4M20AB CSS	B.184
8000004162	KLIPPPON POK3 4M20AB CSS	B.188
8000004164	KLIPPPON POK5 1 4M20ABCSS	B.184
8000004164	KLIPPPON POK5 1 4M20ABCSS	B.190
8000004184	KLIPPPON K01 1M16AB CSS	B.152
8000004202	KLIPPPON K1 M16BCSS EX	B.153
8000004203	KLIPPPON K1 M20BCSS EX	B.153
8000004204	KLIPPPON K1 M16ZCSS EX	B.154
8000004207	KLIPPPON K1 M16ACSS EX	B.154
8000004208	KLIPPPON K1 M20ZCSS EX	B.154
8000004209	KLIPPPON K1 M20ACSS EX	B.154
8000004210	KLIPPPON K2 M20BCSS EX	B.155
8000004211	KLIPPPON K2 M16ZCSS EX	B.156
8000004212	KLIPPPON K2 M16ACSS EX	B.156
8000004213	KLIPPPON K3 M20BCSS EX	B.157
8000004214	KLIPPPON K3 M20ZCSS EX	B.158
8000004215	KLIPPPON K3 M20ACSS EX	B.158
8000004216	KLIPPPON K4 M20WVCS EX	B.159
8000004217	KLIPPPON K4 M20ZCSS EX	B.159
8000004218	KLIPPPON K5 4M20WVCS EX	B.161
8000004219	KLIPPPON K5 4M20ZCSS EX	B.161
8000004220	KLIPPPON K5 2M20WVCS EX	B.162
8000004221	KLIPPPON K5 2M20ZCSS EX	B.162
8000004222	KLIPPPON POK1 M16BCSS EX	B.184
8000004222	KLIPPPON POK1 M16BCSS EX	B.186
8000004223	KLIPPPON POK1 M16ACSS EX	B.184
8000004223	KLIPPPON POK1 M16ACSS EX	B.186
8000004224	KLIPPPON POK2 M20BCSS EX	B.184
8000004224	KLIPPPON POK2 M20BCSS EX	B.187
8000004225	KLIPPPON POK2 M20ACSS EX	B.184
8000004225	KLIPPPON POK2 M20ACSS EX	B.187
8000004226	KLIPPPON POK3 M20BCSS EX	B.184
8000004226	KLIPPPON POK3 M20BCSS EX	B.188
8000004228	KLIPPPON POK3 M20ACSS EX	B.184
8000004228	KLIPPPON POK3 M20ACSS EX	B.188
8000004229	KLIPPPON POK5 1 M20WVCS E	B.184
8000004229	KLIPPPON POK5 1 M20WVCS E	B.190
8000004230	KLIPPPON POK5 1 M20ZCSS E	B.184
8000004365	KL SET KLIPPPON POK1 BK4	B.184
8000004365	KL SET KLIPPPON POK1 BK4	B.186
8000004366	KL SET KLIPPPON POK2 BK6	B.184
8000004366	KL SET KLIPPPON POK2 BK6	B.187
8000004367	KL SET KLIPPPON POK3BK12	B.184
8000004367	KL SET KLIPPPON POK3BK12	B.188
8000004495	MOPL K1 BKVARIO SET	B.153
8000004496	MOPL K2 BKVARIO SET	B.155
8000004497	MOPL K3 BKVARIO SET	B.157

9000000000

9008320000	SDS 0.5X3.0X80	E.17
9008330000	SDS 0.6X3.5X100	E.17
9008340000	SDS 0.8X4.0X100	E.17
9008350000	SDS 1.0X5.5X150	E.17
9008370000	SDIS 0.4X2.5X75	E.15
9008380000	SDIS 0.5X3.0X100	E.15
9008390000	SDIS 0.6X3.5X100	E.15
9008400000	SDIS 0.8X4.0X100	E.15
9008410000	SDIS 1.0X5.5X125	E.15
9008420000	SDIS 1.2X6.5X150	E.15
9008430000	SDIS 1.6X8.0X175	E.15
9008450000	SDIZ 0.6X3.5X100	E.15
9008460000	SDIZ 0.8X4.0X100	E.15
9008470000	SDK PHO	E.17
9008480000	SDK PH1	E.17
9008490000	SDK PH2	E.17
9008500000	SDK PH3	E.17
9008530000	SDK PZ1	E.17

Order No.	Type	Page
9008540000	SDK PZ2	E.17
9008550000	SDK PZ3	E.17
9008560000	SDIK PHO	E.15
9008570000	SDIK PH1	E.15
9008580000	SDIK PH2	E.15
9008590000	SDIK PH3	E.15
9008600000	SDIZ 0.8X5.5 150/248	E.15
9008850000	SK WSD-S 1.5-10.0	E.19
9008860000	SKS 2.0-8.0	E.19
9008870000	SKS 2.0-8.0 MR	E.19
9008880000	TH S 9-40	E.19
9008890000	SDIK PZ2	E.15
9008900000	SDIK PZ1	E.15
9008910000	SDIS 1.0X4.5X125	E.15
9009010000	SDS 1.2X6.5X150	E.17
9009020000	SDS 0.8X4.0X125	E.17
9009030000	SDS 0.4X2.5X75	E.17
9009070000	SK 10.0x125	B.120
9009160000	SD TH20	B.130
9009170000	SD TH15	E.17
9009180000	SD TH10	E.17
9009730000	SDI Set S2.5-5.5/PH1/2	E.16
9009740000	SD Set S2.5-5.5/PH1/2	E.18
9009750000	SYSTEM 11+1	E.20

9010000000

9010110000	SDS 0.6X3.5X200	E.17
9015900000	FLECAFIX 11/24	E.13
9015980000	FLECAFIX 24/36	E.13

9030000000

9037160000	SDS 0.4X2.0X60	E.17
------------	----------------	------

9200000000

9202510000	WK 1/4" C6.3 E6.3	E.11
9204780000	KOBBS 19X75	E.4
9204790000	IE-KOK-V5	E.6
9204810000	KOK-46X46	E.6
9204820000	KOK-52X36	E.6
9204830000	KOK-65X36	E.6
9204840000	KOK-68X68	E.6
9204850000	KOK-86X36	E.6
9204860000	KOK-91X36	E.6
9204870000	KOK-112X36	E.6
9204880000	KOS-M16	E.4
9204900000	KOS-M25	E.4
9204910000	KOS-M32	E.4
9204920000	KOS-M40	E.4
9204930000	KOS-P69	E.4
9204940000	KOS-P611	E.4
9204950000	KOS PG 13/M20	E.4
9204960000	KOS-P616	E.4
9204970000	KOS-P621	E.4
9204980000	KOS-P629	E.4
9204990000	KOS-P636	E.4
9205000000	KOHS 9.5-19	E.4
9205010000	KOHS 19	E.4
9205020000	KOPD 10.0	E.5
9205030000	KOBBS 9.5X50	E.4
9205040000	KOBBS 19X55	E.4
9205050000	SDI Set S2.0-5.5	E.16
9205060000	SD Set S2.0-5.5	E.18
9205080000	SDIS 0.4X2.0X60	E.15
9205700000	SDIS 1.0X4.5X175	E.15
9205710000	SDIS 1.0X5.5X175	E.15

9500000000

9500870000	ES TBF M10 ss	B.194
9500950000	MP TBF 56/30	B.196
9500960000	MP TBF 49/30	B.196
9502700000	ES TBF M6 brass	B.194
9502710000	ES TBF M10 brass	B.194
9502720000	MP TBF 19/15	B.194
9502730000	MP TBF 30/30	B.195
9502740000	MP TBF 37/30	B.195
9502750000	MP TBF 60/30	B.197
9502800000	TBF 49/30/18 7035	B.196
9502810000	TBF 56/30/18 7035	B.196
9502820000	TBF 60/37/18 7035	B.198
9502830000	TBF 60/60/18 7035	B.198
9502840000	TBF 49/30/21 trsp	B.196
9502850000	TBF 56/30/21 trsp	B.196
9502860000	TBF 60/37/21 trsp	B.198
9502870000	TBF 60/60/21 trsp	B.198
9502910000	MP TBF 60/37	B.198
9502920000	MP TBF 60/60	B.198
9502930000	EF TBF 19/15	B.194
9502950000	EF TBF 30/30	B.195
9502960000	EF TBF 37/30	B.195
9502990000	EF TBF 60/30	B.197
9503000000	EF TBF 60/37	B.198
9503010000	EF TBF 60/60	B.198
9505240000	ES TBF M6 ss	B.194

9510000000

9510210000	Klippon POK 1 Ex	B.166
9510220000	Klippon POK 2 Ex	B.167
9510230000	Klippon POK 4 Ex	B.171
9510240000	Klippon POK 5 Ex	B.172
9510250000	Klippon POK 5 Ex	B.173
9510260000	Klippon POK 6 Ex	B.174
9510270000	Klippon POK 7 Ex	B.175
9510280000	Klippon POK 8 Ex	B.177
9510290000	Klippon POK 9 Ex	B.178
9510300000	Klippon POK 91 Ex	B.179
9510310000	Klippon POK 10 Ex	B.180
9510320000	Klippon POK 10 Ex	B.168
9510330000	Klippon POK 31 Ex	B.169
9510340000	Klippon POK 32 Ex	B.170
9510350000	Klippon POK 71 Ex	B.176
9510360000	Klippon POK 11 Ex	B.181
9510370000	Klippon POK 12 Ex	B.182
9510470000	Klippon POK 91	B.179
9510510000	Klippon POK 32	B.170
9510520000	Klippon POK 71	B.176
9510530000	Klippon POK 11	B.181
9510540000	Klippon POK 12	B.182
9510570000	POK MOPL 0808	B.166
9510580000	POK MOPL 0811	B.167
9510590000	POK MOPL 1212	B.171
9510600000	POK MOPL 1222	B.172
9510610000	POK MOPL 1616	B.173
9510620000	POK MOPL 1626	B.174
9510630000	POK MOPL 1636	B.175
9510640000	POK MOPL 2525	B.181
9510650000	POK MOPL 2540	B.182
9510660000	POK MOPL 2560	B.179
9510670000	POK MOPL 4040	B.180
9510680000	POK MOPL 0816	B.168
9510690000	POK MOPL 0819	B.169
9510700000	MP POK 32	B.170
9510710000	POK MOPL 1656	B.176
9510900000	MF POK small	B.166
9510910000	MF POK big	B.171
9511190000	EB K7 1/POK10	B.148
9511210000	EB K51/POK5	B.143
9511220000	EB K52/POK	B.144
9511230000	EB K61/POK6	B.146

9520000000

9526840000	KLIPPPON K1 EX	B.133
95268650000	KLIPPPON K11 EX	B.134
95268680000	KLIPPPON K2 EX	B.135
95268700000	KLIPPPON K21 EX	B.136
95268800000	KLIPPPON K3 EX	B.137
95268900000	KLIPPPON K31 EX	B.138
95269000000	KLIPPPON K32 EX	B.139
95269100000	KLIPPPON K4 EX	B.140
95269200000	KLIPPPON K41 EX	B.141
95269300000	KLIPPPON K5 EX	B.142
95269400000	KLIPPPON K51 EX	B.143
95269500000	KLIPPPON K52 EX	B.144
95269600000	KLIPPPON K6 EX	B.145
95269700000	KLIPPPON K61 EX	B.146
95269800000	KLIPPPON K7 EX	B.147
95269900000	KLIPPPON K71 EX	B.148
95275900000	KLIPPPON K MF KIT 25	B.141
95290800000	KLIPPPON K MF KIT 16	B.142
95290900000	KLIPPPON K0 RAL7001	B.130
95291000000	KLIPPPON K01 RAL7001	B.131
95291100000	KLIPPPON K02 RAL7001	B.132
95291200000	KLIPPPON K1 RAL7001	B.133
95291300000	KLIPPPON K11 RAL7001	B.134
95291400000	KLIPPPON K2 RAL7001	B.135
95291500000	KLIPPPON K21 RAL7001	B.136
95291600000	KLIPPPON K3 RAL7001	B.137
95291700000	KLIPPPON K31 RAL7001	B.138
95291800000	KLIPPPON K32 RAL7001	B.139
95291900000	KLIPPPON K4 RAL7001	B.140
95292000000	KLIPPPON K41 RAL7001	B.141
95292100000	KLIPPPON K5 RAL7001	B.142
95292200000	KLIPPPON K51 RAL7001	B.143
95292300000	KLIPPPON K52 RAL7001	B.144
95292400000	KLIPPPON K6 RAL7001	B.145
95292500000	KLIPPPON K61 RAL7001	B.146
95292600000	KLIPPPON K7 RAL7001	B.147
95292700000	KLIPPPON K71 RAL7001	B.148

9530000000

9535170000	MPC 07/12/07 7035	B.202
9535180000	MPC 07/12/07 trsp	B.202
9535210000	MPC 07/12/12 7035	B.202
9535220000	MPC 07/12/12 trsp	B.202
9535230000	MPC 12/12/07 7035	B.203
9535240000	MPC 12/12/07 trsp	B.203
9535290000	MPC 12/17/07 7035	

Addresses worldwide

- AE United Arab Emirates**
Weidmüller Middle East FZE
P.O. Box 859 1, SAIF-Zone
Sharjah U. A. E.
Phone +971 6 5572723
Fax +971 6 5572724
wme.info@weidmueller.com
- AR Argentina**
CPI SA
Bauness 2660
1431 Buenos Aires
Phone +54 11 45238008
Fax +54 11 45220546
info@cpi.com.ar
www.cpi.com.ar
- AT Austria**
Weidmüller GmbH
IZ NOE Sued Straße 2b,
Obj. M59
2355 Wiener Neudorf
Phone +43 2236 6708-0
Fax +43 2236 6708-899
office.at@weidmueller.com
- AU Australia**
Weidmüller Pty. Ltd.
P.O. Box 6944
Huntingwood Drive 43
Huntingwood,
NSW, 2148
Phone +61 2 9671-9999
Fax +61 2 9671-9911
info@weidmuller.com.au
www.weidmuller.com.au
- AZ Azerbaijan**
West Industries Ltd.
Caspian Plaza, 5-th Floor
44 J. Jabbarly Str., Baku
Phone +99412 596 15 15
Fax +99412 596 14 93
sales@west-i.com
- BA Bosnia and Herzegovina**
Representative Office
Weidmüller Interface
GmbH & Co. KG
Ustanicka 189, III sprat,
lokal 7a
11050 Beograd
Phone +381 11 288 5274
Fax +381 11 288 5274
zoran.rabrenovic@weidmueller.com
- BH ES ELEKTROSISTEM d.o.o.
Bul. Vojvode S.
Stepanovica kod br. 272
78000 BiH - Banja Luka
Phone +387 51 420-340
Fax +387 51 420-341
elsist@inecco.net
www.elektrosistem.ba
- BE Belgium**
Weidmüller Benelux B.V.
Mechelsesteenweg 519 bus
6 en 7
1930 Nossegem
Phone +32 2 752 4070
Fax +32 2 751 3606
info@weidmueller.be
www.weidmueller.be
- BG Bulgaria**
Weid-Bul EOOD
1756 Sofia
13, bul. "Kliment Ohridski"
Phone +359 2 9632560
Fax +359 2 9631098
sofia@weidbul.com
www.weidbul.com
- BH Bahrain**
Khayber Trading Company
P.O. Box 1976 Manama,
Phone +973 720747
Fax +973 720331
khayber@batelco.com.bh
- BR Brazil**
Weidmüller Conexel do Brasil
Conexões Elétricas Ltda.
Rua Garcia Lorca, 176
09395-900, Sao Paulo SP
Phone +55 11 43669600
Fax +55 11 43621677
vendas@weidmueller.com.br
www.weidmueller.com.br
- BY Belarus**
Technikon Ltd.
Nezavisimosti pr.177-9
Minsk 220125
Phone +375 17 3931177
Fax +375 17 3930080
wm@technikon.by
- CA Canada**
W Interconnections CANADA
Ltd.
10 Spy Court, Markham,
Ontario L3 R5 H6
Phone +1 905 475-1507
Fax +1 905 475-2798
info1@weidmuller.ca
www.weidmuller.ca
- CH Switzerland**
Weidmüller Schweiz AG
Rundbuckstraße 2
82 12 Neuhausen am Rheinfall
Phone +41 52 6740707
Fax +41 52 6740708
info@weidmueller.ch
www.weidmueller.ch
- CL Chile**
Felipe Bahamondes S.A./
ATS AGRO
Maria Luisa Santander 0475
Casilla 3425
Santiago
Phone +56 2 341-1271
Fax +56 2 341-1275
felipe@atsintech.com
- CPI CHILE LTDA
Av. Presidente Frei Montalva
6001-47, Conchali -
Region Metropolitana -
Santiago
cpi@cpichile.cl
- CN China**
Weidmüller Interface
International Trading
(Shanghai) Co., Ltd.
25F, BM Intercontinental
Business Center,
100 Yutong Road, Shanghai
200070
P.R. China
Phone +86 21 22195008
Fax +86 21 22195009
www.cnweidmuller.com
- CO Colombia**
Automatización Avanzada S. A.
Carrera 97 No.24c, 23 B4
4 Bogotá D. C.
Phone +57 1 5478510
Fax +57 1 4223044
comercial@
automatizacionavanzada.com
www.
automatizacionavanzada.com
- CR Costa Rica**
ELVATRON S.A.
la Uruca 400 Norte
Banco Costa Rica
San José Costa Rica
Phone +506 2 961060
Fax +506 5 200609
dirk.haase@elvatron.com
www.elvatron.com
- CZ Czech Republic**
Weidmüller s. r. o.,
Lomnického 5/1705
14000 Praha 4
Phone +420 2 44001400
Fax +420 2 44001499
office@weidmueller.cz
www.weidmueller.cz
- DE Germany**
Weidmüller GmbH & Co. KG
Postfach 3054
32720 Detmold
Ohmstraße 9
32758 Detmold
Phone +49 5231 1428-0
Fax +49 5231 1428-116
weidmueller@weidmuller.de
www.weidmueller.de
- DK Denmark**
Wexoe A/S
Lajrvej 31
3500 Vaerloese
Phone +45 45465800
Fax +45 45465801
wexoe@wexoe.dk
www.wexoe.dk
- EC Ecuador**
Elsystec S. A. Electricidad
Sistemas y Tecnologia
Vasco de Contreras N35-25
y Mañosa, Quito
Phone +593 2 2456510
Fax +593 2 2456755
Elsystec@uio.satnet.net
- EE Estonia**
Representative Office
Weidmüller Interface
GmbH & Co. KG
Üdens str. 12-118
Riga, LV-1007
Latvia
Phone +371 29254766
Fax +371 67624562
ilgonis.rudaks@weidmueller.com
- Soots Interface OÜ
Pärnu mnt 142
11317 Tallinn
Phone +372 5296177
Fax +372 6096933
info@sootsinterface.ee
www.sootsinterface.ee
- EG Egypt**
Standard Electric (OMEGA)
87, Mohamed Farid Street
Heliopolis, Cairo
Phone +20 26422977
Fax +20 26422955
stdelec@rite.com
- ES Spain**
Weidmüller S. A.
Narcis Monturiol 11-13
Pol. Ind. Sudoste
08960 Sant Just Desvern
Barcelona
Phone +34 93 4803386
Fax +34 93 3718055
weidmuller@weidmuller.es
www.weidmuller.es
- FI Finland**
JUHA-ELEKTRO OY
P. O. Box 57, 641 Helsinki
Kylvöpolku 6, 680 Helsinki
Phone +358 10 8328 100
Fax +358 10 8328 109
info@juha-elektro.fi
www.juha-elektro.fi
- FR France**
Weidmüller E. U. R. L.
12, Chaussée Jules César
B.P. 263 Osmy
95523 Cergy Pontoise Cedex
Phone +33 1 34245500
Fax +33 1 34245501
mail@weidmuller.fr
- GB Great Britain**
Weidmüller Ltd
Klippon House
Centurion Court Office
Meridian East, Meridian
Business Park
Leicester, LE19 1TP
Phone +44 1162 823470
Fax +44 1162 893582
marketing@weidmuller.co.uk
www.weidmuller.co.uk
- GR Greece**
Electrorama S.A.
1 An. Martali Str.
41335 Larissa
Phone +30 24 10 55253188
Fax +30 24 10 283463189
valvivos@electrorama.com.gr
- GA Contact Solutions
11, Ippokratou Str.
14452 Metamorfoosi Attika
Phone +30 210 2823233
Fax +30 210 2823233
gasaless@gmail.com
- HK Hong Kong**
Weidmüller (Hong Kong)
Limited
Unit 1617, The Metropolis
Tower, No.10, Metropolis
Drive, Hunghom, Kowloon
Phone +852 31548082
Fax +852 31548099
info-hk@weidmueller.de
Hong Kong
- HR Croatia**
Elektro Partner d.o.o.
Slavonska Avenija 24/6
10000 Zagreb
Phone +385 1 6184793
Fax +385 1 6184795
elektropartner@zg.t-com.hr
- HU Hungary**
Weidmüller Kft
Gubacsi út 6
1097 Budapest
Phone +36 1 3827700
Fax +36 1 3827701
info@weidmueller.hu
- ID Indonesia**
PT. Nego Electrindo
Ruko Mega Grosir Cempaka
Mas, Blok I No 20 - 22
Jl. Let.Jend. Suprato -
Jakarta 10640
Phone +62 21 42882255
Fax +62 21 42882266
sales@negoelectrindo.co.id
- IE Ireland**
Please contact
Weidmüller Ltd.
in Great Britain
- IL Israel**
A.U.Shay Ltd.
P.O. Box 10049
Embar Street 23/25
42022 Petach-Tikva
Phone +972 3 9233601
Fax +972 3 9234601
- ATEKA Ltd.
4, Ha Tavor lane
Industrial area Segula
49691 Petach-Tikva
Phone +972 73 2001311
Fax +972 3 9244245
marketing@ateka.co.il
www.ateka.co.il
- IN India**
Weidmüller
Electronics India Pvt. Ltd
Plot # 32, 3rd Floor,
North Court
Lane North Avenue,
Opp Jogger's Park
Kalyani Nagar, Maharastra
411006 Pune
Phone +91 2049800960
Nitish.Rajan@weidmueller.de
- IS Iceland**
Samey Automation Center
Lyngas 13, 210 Garoabaer,
Phone +354 510 5200
Fax +354 510 5201
samey@samey.is
- IT Italy**
Weidmüller S.R.L.
Via Albert Einstein 4
20092 Cinisello Balsamo
Milano
Phone +39 02 660681
Fax +39 02 6124945
weidmuller@weidmuller.it
www.weidmuller.it
- JO Jordan**
HORIZONS
P.O.Box: 330607
Amman Jordan 11133
Phone +962 6 4882114
Fax +962 6 4882115
horizons@go.com.jo
- JP Japan**
Nihon Weidmüller Co. Ltd.
Sphere Tower Tennoz,
2-2-8 Higashi-Shinagawa,
Shinagawa-Ku,
Tokyo 140-0002
Phone +81 3 6711-5300
Fax +81 3 6711-5333
www.weidmuller.co.jp
- KR Korea**
Weidmüller Korea Co. Ltd.
6F Seokyung B/D,
242-54 Nonhyun-dong,
Gangnam-gu
Seoul, 135-830
Phone +82 2 5160003
Fax +82 2 5160090
info@weidmuller.co.kr
- KW Kuwait**
KANAK CONTROLS General
Trading & Cont. CO.,W.L.L.
Al Rai Industrial Area,
Plot 28-30, St. 31
P.O.Box: 25593
Safat, 13016
Phone +966-474 1373/4
Fax +966-474 1537
info@kanaccontrols.com
- LB Lebanon**
Progress Engineering &
Trading Enterprises
Al Nahr Street, Beirut
Phone +961 1 444664
Fax +961 1 561880
progress@inco.com.lb
- LT Lithuania**
Representative Office
Weidmüller Interface
GmbH & Co. KG
Üdens str. 12-118
Riga, LV-1007
Latvia
Phone +371 29254766
Fax +371 67624562
ilgonis.rudaks@weidmueller.com
- ELEKTROS IRANGA
Tinklu g.29a, 5319 Panevezys
Phone +370 45582828
Fax +370 45582727
info@eliranga.lt
- LU Luxembourg**
Please contact
Weidmüller Benelux B.V.
in the Netherlands
- LV Latvia**
Representative Office
Weidmüller Interface
GmbH & Co. KG
Üdens str. 12-118
Riga, LV-1007
Latvia
Phone +371 29254766
Fax +371 67624562
ilgonis.rudaks@weidmueller.com
- SIA "ABI4"
Daugavgrivas str. 31b
1007 Riga
Phone +371 67470999
Fax +371 67465637
abi_4@tvnet.lv
- MD Moldova**
BERHORD A&D srl
44, str. Sarmizgetusa 37/3
Off 414, b-dul Decebal, 3,
Chisinau, MD 2001
Phone +373 22 507137
Fax +373 22 507134
atiuleanu@berhord.com
- ME Montenegro**
Representative Office
Weidmüller Interface
GmbH & Co. KG
Ustanicka 189, III sprat,
lokal 7a
11050 Beograd
Phone +381 11 288 5274
Fax +381 11 288 5274
zoran.rabrenovic@weidmueller.com
- MK Macedonia**
Representative Office
Weidmüller Interface
GmbH & Co. KG
Ustanicka 189, III sprat,
lokal 7a
11050 Beograd
Phone +381 11 288 5274
Fax +381 11 288 5274
zoran.rabrenovic@weidmueller.com
- ELEKTRO - SMK doool
UL III Makedonska brigada b.b.
1000 Skopje
Phone +389 22 460 295
Fax +389 22 460 298
Elektro-smk@telekabel.net.mk
- MT Malta**
E. S. S., Electrical Supplies
& Services Ltd
104 J. Sciberras Str.
Hamrun HMR 08
Phone +356 21 255 777
Fax +356 21 255 999
robert@ess.com.mt
- MU Mauritius**
MUBELO Electrical Ltd
Office 26, Gateway building,
St Jean Road, Quatre Bornes
Phone +230 467 0989
Fax +230 465 4051
richard.mubelo@orange.mu

Group companies **DE**Agency abroad **DE**Without own Agency **DE**

- MX Mexico**
W Interconnections,
S.A. DE C.V.,
Blvd. Hermanos Serdán
No. 698,
Col. San Rafael Oriente
Puebla, C.P. 72029
Phone +52 222 22686227
clientes@weidmuller.com.mx
- MY Malaysia**
Connect Plus Technology
Sdn Bhd
No. 43, Jalan PJS, 11/22,
Bandar Sunway,
46150 Petaling Jaya
Selangor Darul Ehsan
Phone +60 3 5633 7363
Fax +60 3-5633 6562
paul@cptech.com.my
www.cptech.com.my
- NL Netherlands**
Weidmüller Benelux B.V.
Franciscusweg 221
1216 SE Hilversum
Postbus 1505
1200 BM Hilversum
Phone +31 35 6261261
Fax +31 35 6232044
info@weidmuller.nl
www.weidmuller.nl
- NO Norway**
Siv. Ing. J. F. Knudtzen A/S
Billingstadsletta 97
P.O. Box 160
1378 Nesbru
Phone +47 66 983350
Fax +47 66 980955
firmapost@jfknuetzen.no
www.jfknuetzen.no
- NZ New Zealand**
Cuthbert S. Steward Limited
27 Te Puni Street
POB 38496
Petone, Wellington
Phone +64 4 5686156
Fax +64 4 5686056
info@weidmueller.de
- OM Oman**
DAN INTERNATIONAL LLC.
PO.BOX 2901
111 Seeb
Phone +968 503 677
Fax +968 503 755
yedu@danintl.com
- PE Peru**
IMPEXINCA S.A.C.
Calle Ortiz de Zevallos N° 105,
18 Lima, Miraflores,
Phone +51 11 447 5608
info@impexinca.pe
- J & W CIA. S.A.
Calle 6 Mz. D Lte. 23
Urb. Ind. Grimanesa
Callao 01
Phone +51 1 57 22539
Fax +51 1 57 20152
lespinoza@jwcia.com
www.jwcia.com
- PH Philippines**
Enclosure Systems Specialists Inc
Room 103 Narra Building
2276 Don Chino Roces
Avenue
Makati City 1231
Phone +63 2 813 8580
Fax +63 2 813 8596
sales_encsys@pldtsl.net
- PK Pakistan**
Kana Controls (Pak)
Apartment No. 33 C III
Chenab Block,
Allama Iqbal Town
Lahore, Pakistan
Phone +92 42 5419948
+92 42 7845160
Fax +92 42 5422895
nadeem@kanapak.com
www.kanapak.com
- PL Poland**
Weidmüller Sp. z o.o.
Ul. Golezdzinowska 10
03-302 Warszawa
Phone +48 22 5100940
Fax +48 22 5100941
biuro@weidmuller.com.pl
www.weidmuller.pl
- PT Portugal**
Weidmüller Sistemas de
Interface S. A.
Estrada Outeiro Polima,
R. Augusto
Dias da Silva, Lote B, Esc. 2
2785-515 Abóboda - São
Domingos de Rana
Phone +351 21 4459191
Fax +351 21 4455871
www.weidmueller.pt
- QA Qatar**
Doha Motors Trading Co.
(Technical Division)
Post Box No. 145
Airport Road
Doha - Qatar
Phone +974 465 1441
Fax +974 465 0925
dmtctech@qatar.net.qa
- RO Romania**
Weidmüller Interface
GmbH & Co.KG
Representative Office - Romania
Brasov Business Park
Ionescu Crum Street, no. 1
1st Tower, 1st Floor, Office 4
RO- 500446 Brasov
Romania
Phone +40 268 446 222
Fax +40 268 446 224
claudiu.totea@weidmueller.com
- RS Serbia**
Representative Office
Weidmüller Interface
GmbH & Co. KG
Ustanička 189, III sprat,
lokali 7a
11050 Beograd
Phone +381 11 288 5274
Fax +381 11 288 5274
zoran.rabrenovic@
weidmueller.com
- ES-YU Elektrosistem
Pariske komune 4 1
11070 Novi Beograd, Serbia
Phone +381 11 3018660
Fax +381 11 2693608
esyu@eunet.rs
- RU Russia**
OOO Weidmüller
Warshavskoye highway, 25A,
bld. 6
117105 Moskau
Phone +7 4 95 771-6940
Fax +7 4 95 771-6941
info@weidmueller.ru
www.weidmueller.ru
- SA Saudi-Arabia**
Al Abdulkarim Holding Co.
P.O. Box. 4
Dammam 31411
Phone +9668337110
Fax +9668338242
salehsk@akh.com.sa
www.weidmueller.ae
- Saudi Electric Supply Co.
P.O. Box 3298
Al Khobar 31952
Phone +966 3 882 9546227
Fax +966 3 882 9547
Safdar.malik@sesco-ge.com
- SE Sweden**
Weidmüller AB
Axel Dariessons väg 271
P.O. box 31025
200 49 Malmö
Phone +46 (0) 7 71 43 00 44
Fax +46 (0) 40 37 48 60
info@weidmuller.se
www.weidmuller.se
- SG Singapore**
Weidmüller Pte. Ltd.
70 Bendemeer Road
#04-03 Luzerne
Singapore 339940
Phone +65 6841 5311
Fax +65 6841 5377
info@weidmuller.com.sg
www.weidmuller.com.sg
- SI Slovenia**
ELEKTROPOJJI d.o.o.
Stegne 25, 1000 Ljubljana
Phone +386 15113810
Fax +386 15111604
info@elektropojji.si
www.elektropojji.si
- SK Slovakia**
ELEKTRIS s.r.o.
Elektrárenská 1
83104 Bratislava
Phone +421 2 49200113
Fax +421 2 49200119
bratislava@elektris.sk
- TH Thailand**
Pisanu Engineering Co., Ltd
800/43-45 Soi Trakulsuk
Asoke-dindaeng Road,
Dindaeng, Bangkok 10400
Phone +66 2 245 9113
Fax +66 2 6429220
jayasankar@pisanu.co.th
www.pisanu.co.th
- TN Tunisia**
Please contact
Weidmüller E.U.R.L.
in France
- TR Turkey**
Weidmüller Elektronik Ticaret
Ltd. Şirketi
Kavacik Mah. Orhan Veli Kanik
Caddesi 9/1
34810 Beykoz - Istanbul
Phone +90 216 5371070 (Pbx)
Fax +90 216 5371077
info@weidmuller.com.tr
www.weidmuller.com.tr
- TW Taiwan**
Fittatek Co., Ltd.
12F No. 185 Fu-Kuo Road,
Tso Ying Dist. Kaohsiung
Phone +886 7 556 0858
Fax +886 7 556 3279
stanley@fittatek.com.tw
www.fittatek.com.tw
- Eucan Enterprise Ltd.
No. 145 He Ping 2nd Rd
Kaohsiung
Phone +886 7 715 6610
Fax +886 7 715 8748
mark@eucan.com.tw
www.eucan.com.tw
- UA Ukraine**
TEKO INTERFACE
Lomonosova str. 73g
03022 Kiev
Phone +38 044 3740640
Fax +38 044 3740642
weidmueller@tekointerface.com
www.tekointerface.com.ua
- US United States**
W-Interconnections Inc.
821 Southlake Boulevard,
Virginia - Richmond 23236
Phone +1 804 7942877
Fax +1 804 3792593
info@weidmuller.com
www.weidmuller.com
- UY Uruguay**
REWU Uruguay S.A
AV. Bolivia 2001 Esq. Rocafuerte
Carrasco Montevideo 11300
Phone / Fax +598 260 48439
clorda@rewouruguay.com.uy
- UZ Uzbekistan**
OOO "Elektro Potential"
Gani Mavlanova str., 2B
100084 Tashkent
Phone +998 98-3003821
Fax +998 71-1249286
mz1958@yandex.ru
- VE Venezuela**
Somerinca C.A.
Quinta Sagrado Corazon
de Jesus -
3ra Transversal -
Los Dos Caminos,
Caracas 1070 - A
Phone +58 212 2352748
Fax +58 212 2399341
klocmoeller@cantv.net
www.kmsomerinca.com.ve
- VN Vietnam**
AUMI Co., Ltd
E1, La Thanh Hotel,
218 Doi Can Street,
Lieu Giai Ward, Ba Dinh District,
Hanoi City
Phone +84 4762 8601
Fax +84 4266 1391
aumi@aumi.com.vn
- LinH Kim Hai Co., Ltd
78 Hoa Cuc Street Ward 7,
Phu Bhuuan District,
Ho Chi Minh City
Phone +84 8517 1717
Fax +84 8517 1818
lkh@linhkimhai.com.vn
- ZA South Africa**
Phambili Interface (Pty) Ltd
P.O. Box 193,
1609 Johannesburg
5 Bundo Road, Sebenza
1610 Johannesburg,
Endersvale
Phone +27 11 452 1930
Fax +27 11 452 6455
sales@radinterface.co.za
www.radinterface.co.za
- DE Other countries**
Weidmüller Interface GmbH
& Co. KG
Postfach 3030
32720 Detmold
Klingenbergstraße 16
32758 Detmold
Phone +49 5231 14-0
Fax +49 5231 14-292083
info@weidmueller.de
www.weidmueller.com

We cannot guarantee that there are no mistakes in the publications or software provided by us to the customer for the purpose of making orders. We try our best to quickly correct errors in our printed media.

X

All orders are based on our general terms of delivery, which can be reviewed on the websites of our group companies where you place your order. On demand we can also send the general terms of delivery to you.

Weidmüller – Partner in Industrial Connectivity

As experienced experts we support our customers and partners around the world with products, solutions and services in the industrial environment of power, signal and data. We are at home in their industries and markets and know the technological challenges of tomorrow. We are therefore continuously developing innovative, sustainable and useful solutions for their individual needs. Together we set standards in Industrial Connectivity.

Weidmüller Interface GmbH & Co. KG
Klingenbergstraße 16
32758 Detmold, Germany
T +49 5231 14-0
F +49 5231 14-292083
info@weidmueller.com
www.weidmueller.com



Order number: 1420920000/03/2013/SMDM

Данный компонент на территории Российской Федерации

Вы можете приобрести в компании MosChip.

Для оперативного оформления запроса Вам необходимо перейти по данной ссылке:

<http://moschip.ru/get-element>

Вы можете разместить у нас заказ для любого Вашего проекта, будь то серийное производство или разработка единичного прибора.

В нашем ассортименте представлены ведущие мировые производители активных и пассивных электронных компонентов.

Нашей специализацией является поставка электронной компонентной базы двойного назначения, продукции таких производителей как XILINX, Intel (ex.ALTERA), Vicor, Microchip, Texas Instruments, Analog Devices, Mini-Circuits, Amphenol, Glenair.

Сотрудничество с глобальными дистрибьюторами электронных компонентов, предоставляет возможность заказывать и получать с международных складов практически любой перечень компонентов в оптимальные для Вас сроки.

На всех этапах разработки и производства наши партнеры могут получить квалифицированную поддержку опытных инженеров.

Система менеджмента качества компании отвечает требованиям в соответствии с ГОСТ Р ИСО 9001, ГОСТ РВ 0015-002 и ЭС РД 009

Офис по работе с юридическими лицами:

105318, г.Москва, ул.Щербаковская д.3, офис 1107, 1118, ДЦ «Щербаковский»

Телефон: +7 495 668-12-70 (многоканальный)

Факс: +7 495 668-12-70 (доб.304)

E-mail: info@moschip.ru

Skype отдела продаж:

moschip.ru

moschip.ru_4

moschip.ru_6

moschip.ru_9