

4-Channel PMBus Power System Manager Featuring Accurate Input Current and Energy Measurement

FEATURES

- Sequence, Trim, Margin and Supervise Four Power Supplies
- Manage Faults, Monitor Telemetry and Create Fault Logs
- PMBus™ Compliant Command Set
- Supported by LTpowerPlay™ GUI
- Margin or Trim Supplies to Within 0.25% of Target
- Monitor Input Current ($\pm 1\%$) and Accumulate Energy
- Fast OV/UV and OC Supervisors Per Channel
- Coordinate Sequencing and Fault Management Across Multiple LTC PSM Devices
- Automatic Fault Logging to Internal EEPROM
- Operate Autonomously Without Additional Software
- External Temperature and Input Voltage Supervisors
- Accurate Monitoring of Four Output Voltages, Four Output Currents, Four External Temperatures, Input Voltage and Current, and Internal Die Temperature
- I²C/SMBus Serial Interface
- Can Be Powered from 3.3V, or 4.5V to 15V
- Pin-Compatible to the LTC2974
- Available in 64-Lead 9mm × 9mm QFN Package

APPLICATIONS

- Computers and Network Servers
- Industrial Test and Measurement
- High Reliability Systems
- Video and Medical Imaging

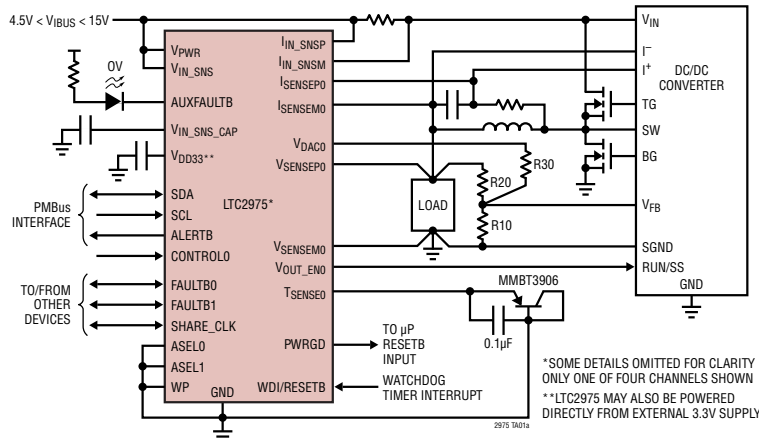
DESCRIPTION

The LTC[®]2975 is a 4-channel Power System Manager used to sequence, trim (servo), margin, supervise, manage faults, provide telemetry and create fault logs. PMBus commands support power supply sequencing, precision point-of-load voltage adjustment and margining. DACs use a proprietary soft-connect algorithm to minimize supply disturbances. Supervisory functions include over and under current, voltage and temperature threshold limits for four power supply output channels as well as over and under voltage threshold limits for a single power supply input channel. Programmable fault responses can disable the power supplies with optional retry after a fault is detected. Faults that disable a power supply can automatically trigger black box EEPROM storage of fault status and associated telemetry. An internal 16-bit ADC monitors four output voltages, four output currents, four external temperatures, input voltage and current, and die temperature. Input power, energy, and output power is also calculated. A programmable watchdog timer monitors microprocessor activity for a stalled condition and resets the microprocessor if necessary. A single wire bus synchronizes power supplies across multiple LTC Power System Management (PSM) devices. Configuration EEPROM supports autonomous operation without additional software.

LT, LT, LTC, LTM, Linear Technology, the Linear logo, μ Module and PolyPhase are registered trademarks and LTpowerPlay is a trademark of Linear Technology Corporation. PMBus is a trademark of SMIF, Inc. All other trademarks are the property of their respective owners. Protected by U.S. Patents including 7382303, 7420359 and 8648623.

TYPICAL APPLICATION

4-Channel PMBus Power System Manager with Input Energy Metering



Power Measurement Error

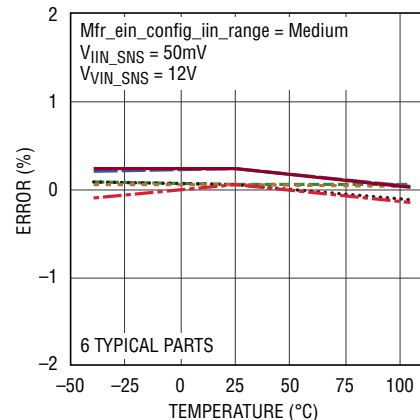


TABLE OF CONTENTS

| | | | |
|------------------------------------------------------------------|----|------------------------------------------------------------------------------------------------------------------------------------------------------------------------------------------------|----|
| Features | 1 | MFR_EE Erase and Write Programming Time | 47 |
| Applications | 1 | Input Voltage Commands and Limits | 47 |
| Typical Application | 1 | VIN_ON, VIN_OFF, VIN_OV_FAULT_LIMIT, VIN_OV_WARN_LIMIT, VIN_UV_WARN_LIMIT and VIN_UV_FAULT_LIMIT | 47 |
| Description | 1 | INPUT Current and ENERGY | 48 |
| Absolute Maximum Ratings | 4 | Energy Measurement and Reporting | 48 |
| Order Information | 4 | MFR_EIN | 48 |
| Pin Configuration | 4 | MFR_EIN_CONFIG | 49 |
| Electrical Characteristics | 5 | MFR_IIN_CAL_GAIN | 49 |
| PMBus Timing Diagram | 10 | MFR_IIN_CAL_GAIN_TC..... | 50 |
| Typical Performance Characteristics | 10 | Output Voltage Commands and Limits..... | 50 |
| Pin Functions | 14 | VOUT_MODE | 51 |
| Block Diagram | 16 | VOUT_COMMAND, VOUT_MAX, VOUT_MARGIN_HIGH, VOUT_MARGIN_LOW, VOUT_OV_FAULT_LIMIT, VOUT_OV_WARN_LIMIT, VOUT_UV_WARN_LIMIT, VOUT_UV_FAULT_LIMIT, POWER_GOOD_ON and POWER_GOOD_OFF..... | 51 |
| Operation | 17 | MFR_VOUT_DISCHARGE_THRESHOLD | 51 |
| LTC2975 Operation Overview | 17 | MFR_DAC | 51 |
| EEPROM | 18 | Output Current Commands and Limits..... | 52 |
| AUXFAULTB | 18 | IOUT_CAL_GAIN | 52 |
| RESETB..... | 19 | IOUT_OC_FAULT_LIMIT, IOUT_OC_WARN_LIMIT and IOUT_UC_FAULT_LIMIT | 52 |
| PMBus Serial Digital Interface..... | 19 | MFR_IOUT_CAL_GAIN_TC | 53 |
| PMBus | 19 | External Temperature Commands and Limits | 53 |
| Device Address..... | 19 | OT_FAULT_LIMIT, OT_WARN_LIMIT, UT_WARN_LIMIT and UT_FAULT_LIMIT | 54 |
| Processing Commands | 20 | MFR_TEMP_1_GAIN and MFR_TEMP_1_OFFSET..... | 54 |
| PMBUS Command Summary | 23 | MFR_T_SELF_HEAT, MFR_IOUT_CAL_GAIN_TAU_INV and MFR_IOUT_CAL_GAIN_THETA..... | 54 |
| PMBus Command Description | 29 | Sequencing Timing Limits and Clock Sharing..... | 56 |
| Addressing and Write Protect..... | 29 | TON_DELAY, TON_RISE, TON_MAX_FAULT_LIMIT and TOFF_DELAY..... | 56 |
| PAGE..... | 29 | MFR_RESTART_DELAY | 57 |
| WRITE_PROTECT..... | 30 | Clock Sharing | 57 |
| WRITE-PROTECT Pin | 30 | Watchdog Timer and Power Good | 57 |
| MFR_PAGE_FF_MASK..... | 30 | MFR_PWRGD_EN | 57 |
| MFR_I2C_BASE_ADDRESS..... | 31 | MFR_POWERGOOD_ASSERTION_DELAY | 58 |
| MFR_COMMAND_PLUS | 31 | Watchdog Operation..... | 58 |
| MFR_DATA_PLUS0 and MFR_DATA_PLUS1 | 31 | MFR_WATCHDOG_T_FIRST and MFR_WATCHDOG_T..... | 58 |
| MFR_STATUS_PLUS0, and MFR_STATUS_PLUS1 | 31 | Fault Responses..... | 59 |
| Reading Fault Log Using Command Plus and Mfr_data_plus0 | 32 | Clearing Latched Faults..... | 59 |
| Reading Energy Using MFR_COMMAND_PLUS and MFR_DATA_PLUS0..... | 33 | VOUT_OV_FAULT_RESPONSE and VOUT_UV_FAULT_RESPONSE | 59 |
| Peek Operation Using Mfr_data_plus0..... | 33 | IOUT_OC_FAULT_RESPONSE and IOUT_UC_FAULT_RESPONSE | 60 |
| Enabling and Disabling Poke Operations | 33 | OT_FAULT_RESPONSE, UT_FAULT_RESPONSE, VIN_OV_FAULT_RESPONSE and VIN_UV_FAULT_RESPONSE | 61 |
| Poke Operation Using Mfr_data_plus0..... | 33 | TON_MAX_FAULT_RESPONSE..... | 62 |
| On/Off Control, Margining and Configuration | 34 | MFR_RETRY_DELAY..... | 62 |
| OPERATION | 34 | MFR_RETRY_COUNT | 62 |
| Command Plus Operations Using Mfr_data_plus1..... | 34 | Shared External Faults..... | 63 |
| ON_OFF_CONFIG..... | 35 | MFR_FAULTB0_PROPAGATE and MFR_FAULTB1_PROPAGATE..... | 63 |
| MFR_CONFIG_LTC2975..... | 36 | MFR_FAULTB0_RESPONSE and MFR_FAULTB1_RESPONSE | 63 |
| Cascade Sequence ON with Time-Based Sequence OFF | 37 | | |
| MFR_CONFIG2_LTC2975..... | 38 | | |
| MFR_CONFIG3_LTC2975..... | 39 | | |
| Tracking Supplies On and Off..... | 40 | | |
| Tracking Implementation..... | 43 | | |
| MFR_CONFIG_ALL_LTC2975 | 43 | | |
| Programming User EEPROM Space | 45 | | |
| STORE_USER_ALL and RESTORE_USER_ALL | 45 | | |
| Bulk Programming the User EEPROM Space..... | 45 | | |
| MFR_EE_UNLOCK..... | 46 | | |
| MFR_EE_ERASE | 46 | | |
| MFR_EE_DATA..... | 46 | | |
| Response When Part Is Busy..... | 47 | | |

TABLE OF CONTENTS

| | | | |
|------------------------------------------------|-----------|----------------------------------------------------------------------|------------|
| Fault Warning and Status | 64 | MEASURING INPUT CURRENT | 84 |
| CLEAR_FAULTS | 64 | MEASURING INPUT VOLTAGE | 86 |
| STATUS_BYTE | 65 | MEASURING INPUT POWER | 86 |
| STATUS_WORD | 65 | Measuring INPUT ENERGY | 86 |
| STATUS_VOUT | 66 | Sequence, Servo, Margin and Restart Operations | 86 |
| STATUS_IOUT | 66 | Command Units On or Off | 86 |
| STATUS_INPUT | 66 | On Sequencing | 87 |
| STATUS_TEMPERATURE | 67 | On State Operation | 87 |
| STATUS_CML | 67 | Servo Modes | 87 |
| STATUS_MFR_SPECIFIC | 68 | DAC Modes | 87 |
| MFR_PADS | 68 | Margining | 88 |
| MFR_COMMON | 69 | Off Sequencing | 88 |
| Telemetry | 70 | V _{OUT} Off Threshold Voltage | 88 |
| READ_VIN | 70 | Automatic Restart via MFR_RESTART_DELAY Command and | |
| READ_IIN | 70 | CONTROL Pin | 88 |
| READ_PIN | 70 | Fault Management | 89 |
| READ_VOUT | 70 | Output Overvoltage, Undervoltage, Overcurrent and | |
| READ_IOUT | 71 | Undercurrent Faults | 89 |
| MFR_IIN_PEAK | 71 | Output Overvoltage, Undervoltage, and Overcurrent Warnings | 89 |
| MFR_IIN_MIN | 71 | Configuring the AUXFAULTB Output | 89 |
| MFR_PIN_PEAK | 71 | Multi-Channel Fault Management | 89 |
| MFR_PIN_MIN | 71 | Interconnect Between Multiple LTC POWER MANAGERS | 91 |
| READ_TEMPERATURE_1 | 71 | Application Circuits | 91 |
| READ_TEMPERATURE_2 | 71 | Trimming and Margining DC/DC Converters with | |
| READ_POUT | 71 | External Feedback Resistors | 91 |
| MFR_READ_IOUT | 72 | Four-Step Resistor Selection Procedure for DC/DC Converters | |
| MFR_IOUT_SENSE_VOLTAGE | 73 | with External Feedback Resistors | 93 |
| MFR_VIN_PEAK | 73 | Trimming and Margining DC/DC Converters with a TRIM Pin .. | 93 |
| MFR_VOUT_PEAK | 73 | Two-Step Resistor and DAC Full-Scale Voltage Selection | |
| MFR_IOUT_PEAK | 73 | Procedure for DC/DC Converters with a TRIM Pin | 94 |
| MFR_TEMPERATURE_1_PEAK | 73 | Measuring Output with a Sense Resistor | 94 |
| MFR_VIN_MIN | 73 | Measuring Output with Inductor DCR | 94 |
| MFR_VOUT_MIN | 73 | Single Phase Design Example | 95 |
| MFR_IOUT_MIN | 73 | Measuring Multiphase Currents | 95 |
| MFR_TEMPERATURE_1_MIN | 74 | Multiphase Design Example | 95 |
| Fault Logging | 74 | Anti-aliasing Filter Considerations | 95 |
| Fault Log Operation | 74 | Sensing Negative Voltages | 96 |
| MFR_FAULT_LOG_STORE | 74 | Connecting the USB to I ² C/SMBus/PMBus Controller to the | |
| MFR_FAULT_LOG_RESTORE | 74 | LTC2975 in System | 96 |
| MFR_FAULT_LOG_CLEAR | 75 | Accurate DCR Temperature Compensation | 97 |
| MFR_FAULT_LOG_STATUS | 75 | LTpowerPlay: An Interactive GUI for Power Managers | 100 |
| MFR_FAULT_LOG | 75 | PCB Assembly and Layout Suggestions | 101 |
| MFR_FAULT_LOG Read Example | 78 | Bypass Capacitor Placement | 101 |
| Identification/Information | 82 | Exposed Pad Stencil Design | 101 |
| CAPABILITY | 83 | PCB Board Layout | 101 |
| PMBus_REVISION | 83 | Unused ADC Sense Inputs | 101 |
| MFR_SPECIAL_ID | 83 | Design Checklist | 102 |
| MFR_SPECIAL_LOT | 83 | I ² C | 102 |
| User Scratchpad | 83 | Output Enables | 102 |
| USER_DATA_00, USER_DATA_01, USER_DATA_02, | | V _{IN} Sense | 102 |
| USER_DATA_03, USER_DATA_04, MFR_LTC_RESERVED_1 | | Input Current Sense | 102 |
| and MFR_LTC_RESERVED_2 | 83 | Logic Signals | 102 |
| Applications Information | 84 | Floating Inputs | 102 |
| Overview | 84 | Package Description | 103 |
| Powering the LTC2975 | 84 | Typical Application | 104 |
| Setting Command Register Values | 84 | Related Parts | 104 |

ABSOLUTE MAXIMUM RATINGS

(Notes 1, 2)

Supply Voltages:

| | |
|-------------------------|----------------|
| V _{PWR} | -0.3V to 15V |
| V _{DD33} | -0.3V to 3.6V |
| V _{DD25} | -0.3V to 2.75V |

Digital Input/Output Voltages:

| | |
|-------------------------------------------------------------------|---------------|
| ALERTB, SDA, SCL, CONTROL0, CONTROL1, CONTROL2, CONTROL3 | -0.3V to 3.6V |
| PWRGD, SHARE_CLK, WDI/RESETB, WP, FAULTB0, FAULTB1..... | -0.3V to 3.6V |
| ASELO, ASEL1 | -0.3V to 3.6V |

Analog Voltages:

| | |
|--------------------------------------------------------------------------|----------------|
| REFP | -0.3V to 1.35V |
| REFM | -0.3V to 0.3V |
| V _{IN_SNS} , V _{IN_SNS_CAP} | -0.3V to 15V |
| I _{IN_SNSP} , I _{IN_SNSM} to V _{IN_SNS} | -0.3V to 0.3V |
| V _{SENSE} [3:0] | -0.3V to 6V |
| I _{SENSE} [3:0]..... | -0.3V to 6V |
| V _{OUT_EN} [3:0], AUXFAULTB | -0.3V to 15V |
| V _{DAC} [3:0] | -0.3V to 6V |
| T _{SENSE} [3:0] | -0.3V to 3.6V |
| I _{IN_SNSP} , I _{IN_SNSM} | -0.3V to 15V |

Operating Junction Temperature Range:

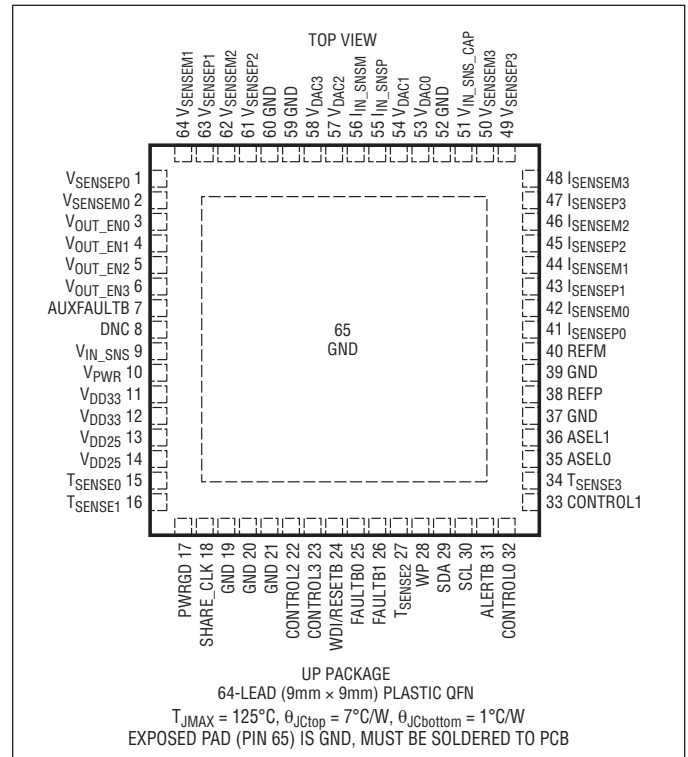
| | |
|----------------|----------------|
| LTC2975C | 0°C to 70°C |
| LTC2975I | -40°C to 105°C |

Storage Temperature Range -65°C to 150°C*

Maximum Junction Temperature 125°C*

*See OPERATION section for detailed EEPROM de-rating information for junction temperatures in excess of 105°C.

PIN CONFIGURATION



ORDER INFORMATION

| LEAD FREE FINISH | TAPE AND REEL | PART MARKING* | PACKAGE DESCRIPTION | JUNCTION TEMPERATURE RANGE |
|------------------|------------------|---------------|---------------------------------|----------------------------|
| LTC2975CUP#PBF | LTC2975CUP#TRPBF | LTC2975UP | 64-Lead (9mm × 9mm) Plastic QFN | 0°C to 70°C |
| LTC2975IUP#PBF | LTC2975IUP#TRPBF | LTC2975UP | 64-Lead (9mm × 9mm) Plastic QFN | -40°C to 105°C |

Consult LTC Marketing for parts specified with wider operating temperature ranges. *The temperature grade is identified by a label on the shipping container. Consult LTC Marketing for information on non-standard lead based finish parts.

For more information on lead free part marking, go to: <http://www.linear.com/leadfree/>

For more information on tape and reel specifications, go to: <http://www.linear.com/tapeandreeel/>

ELECTRICAL CHARACTERISTICS The ● denotes the specifications which apply over the full operating temperature range, otherwise specifications are at $T_J = 25^\circ\text{C}$. $V_{PWR} = V_{IN_SNS} = 12\text{V}$, V_{DD33} , V_{DD25} , REFP and REFM pins floating, unless otherwise indicated. $C_{VDD33} = 100\text{nF}$, $C_{VDD25} = 100\text{nF}$, $C_{VIN_SNS_CAP} = 10\text{nF}$ and $C_{REF} = 100\text{nF}$.

| SYMBOL | PARAMETER | CONDITIONS | MIN | TYP | MAX | UNITS | |
|------------------------------------------|----------------------------------------------------------|-------------------------------------------------------------------------------------------------------------------------------|-----|--------------------------|------------|--------------------------|----|
| Power Supply Characteristics | | | | | | | |
| V_{PWR} | V_{PWR} Supply Input Operating Range | V_{DD33} Floating (Note 2) | ● | 4.5 | 15 | V | |
| I_{PWR} | V_{PWR} Supply Current | $4.5\text{V} \leq V_{PWR} \leq 15\text{V}$, V_{DD33} Floating (Note 2) | ● | 10 | 13 | mA | |
| I_{VDD33} | V_{DD33} Supply Current | $3.13\text{V} \leq V_{DD33} \leq 3.47\text{V}$, $V_{PWR} = V_{DD33}$ | ● | 10 | 13 | mA | |
| V_{UVLO_VDD33} | V_{DD33} Undervoltage Lockout | V_{DD33} Ramping Up, $V_{PWR} = V_{DD33}$ | ● | 2.25 | 2.55 | 2.8 | V |
| | V_{DD33} Undervoltage Lockout Hysteresis | | | 120 | | mV | |
| V_{DD33} | Supply Input Operating Range | $V_{PWR} = V_{DD33}$ | ● | 3.13 | 3.47 | V | |
| | Regulator Output Voltage | $4.5\text{V} \leq V_{PWR} \leq 15\text{V}$ | ● | 3.13 | 3.26 | 3.47 | V |
| | Regulator Output Short-Circuit Current | $V_{PWR} = 4.5\text{V}$, $V_{DD33} = 0\text{V}$ | ● | 50 | 90 | 140 | mA |
| V_{DD25} | Regulator Output Voltage | $3.13\text{V} \leq V_{DD33} \leq 3.47\text{V}$ | ● | 2.35 | 2.5 | 2.6 | V |
| | Regulator Output Short-Circuit Current | $V_{PWR} = V_{DD33} = 3.47\text{V}$, $V_{DD25} = 0\text{V}$ | ● | 30 | 55 | 80 | mA |
| t_{INIT} | Initialization Time | Time from V_{IN} applied until the TON_DELAY timer starts | | 30 | | ms | |
| Voltage Reference Characteristics | | | | | | | |
| V_{REF} | Output Voltage | $V_{REF} = V_{REFP} - V_{REFM}$, $0 < I_{REFP} < 100\mu\text{A}$ | ● | 1.220 | 1.232 | 1.244 | V |
| | Temperature Coefficient | | | 3 | | ppm/ $^\circ\text{C}$ | |
| | Hysteresis | (Note 3) | | 100 | | ppm | |
| ADC Characteristics | | | | | | | |
| V_{IN_ADC} | Voltage Sense Input Range | Differential Voltage: $V_{IN_ADC} = (V_{SENSEPN} - V_{SENSEMN})$ | ● | 0 | 6 | V | |
| | | Single-Ended Voltage: $V_{SENSEMN}$ | ● | -0.1 | 0.1 | V | |
| | Current Sense Input Range | Single-Ended Voltage: $I_{SENSEPN}$, $I_{SENSEMN}$ | ● | -0.1 | 6 | V | |
| | | Differential Current Sense Voltage: $V_{IN_ADC} = (I_{SENSEPN} - I_{SENSEMN})$ | ● | -170 | 170 | mV | |
| N_ADC | Voltage Sense Resolution | $0\text{V} \leq V_{IN_ADC} \leq 6\text{V}$, READ_VOUT | | 122 | | $\mu\text{V}/\text{LSB}$ | |
| | Current Sense Resolution with IOUT_CAL_GAIN = 1 Ω | $0\text{mV} \leq V_{IN_ADC} < 16\text{mV}$ (Note 4) | | 15.625 | | $\mu\text{A}/\text{LSB}$ | |
| | | $16\text{mV} \leq V_{IN_ADC} < 32\text{mV}$ | | 31.25 | | $\mu\text{A}/\text{LSB}$ | |
| | | $32\text{mV} \leq V_{IN_ADC} < 63.9\text{mV}$ | | 62.5 | | $\mu\text{A}/\text{LSB}$ | |
| | | $63.9\text{mV} \leq V_{IN_ADC} < 127.9\text{mV}$ | | 125 | | $\mu\text{A}/\text{LSB}$ | |
| $127.9\text{mV} \leq V_{IN_ADC} $ | | 250 | | $\mu\text{A}/\text{LSB}$ | | | |
| TUE_ADC_VOLT_SNS | Total Unadjusted Error | Voltage Sense Inputs $V_{IN_ADC} \geq 1\text{V}$ | ● | | ± 0.25 | % of Reading | |
| | | Voltage Sense Inputs $0 \leq V_{IN_ADC} \leq 1\text{V}$ | ● | | ± 2.5 | mV | |
| TUE_ADC_CURR_SNS | Total Unadjusted Error | Current Sense Inputs $20\text{mV} \leq V_{IN_ADC} \leq 170\text{mV}$ | ● | | ± 0.3 | % of Reading | |
| | | Current Sense Inputs $ V_{IN_ADC} \leq 20\text{mV}$ | ● | | ± 60 | μV | |
| V_{OS_ADC} | Offset Error | $I_{SENSEPN}$ and $I_{SENSEMN}$ Inputs, $V_{OS} \cdot \text{IOUT_CAL_GAIN}$, $\text{IOUT_CAL_GAIN} = 1000\text{m}\Omega$ | ● | | ± 35 | μV | |
| t_{CONV_ADC} | Conversion Time | $V_{SENSEPN}$, $V_{SENSEMN}$, V_{IN_SNS} Inputs (Note 5) | | 6.15 | | ms | |
| | | $I_{SENSEPN}$ and $I_{SENSEMN}$ Inputs (Note 5) | | 24.6 | | ms | |
| | | Internal Temperature (READ_TEMPERATURE_2) (Note 5) | | 24.6 | | ms | |
| t_{UPDATE_ADC} | Update Time | Note 5, Mfr_ein_config_hd = 0 | | 190 | | ms | |
| | | Note 5, Mfr_ein_config_hd = 1 | | 500 | | ms | |

ELECTRICAL CHARACTERISTICS The ● denotes the specifications which apply over the full operating temperature range, otherwise specifications are at $T_J = 25^\circ\text{C}$. $V_{PWR} = V_{IN_SNS} = 12\text{V}$, V_{DD33} , V_{DD25} , REFP and REFM pins floating, unless otherwise indicated. $C_{VDD33} = 100\text{nF}$, $C_{VDD25} = 100\text{nF}$, $C_{VIN_SNS_CAP} = 10\text{nF}$ and $C_{REF} = 100\text{nF}$.

| SYMBOL | PARAMETER | CONDITIONS | MIN | TYP | MAX | UNITS | |
|------------------------------------------------------|------------------------------------------|--------------------------------------------------------------------------------------------------------------|-----|------|-------|--------------|----|
| f_{IN_ADC} | Input Sampling Frequency | | | 62.5 | | kHz | |
| Sense Input Current Characteristics (Note 12) | | | | | | | |
| I_{IN_VSENSE} | Input Current | $V_{SENSEPn}$ and $V_{SENSEMn}$ Inputs | ● | | ±15 | μA | |
| | Differential Input Current | $V_{SENSEPn}$ and $V_{SENSEMn}$ Inputs, $V_{IN_DIFF} = 6\text{V}$ | ● | | ±30 | μA | |
| I_{IN_ISENSE} | Input Current | $I_{SENSEPn}$ and $I_{SENSEMn}$ Inputs | ● | | ±3 | μA | |
| | Differential Input Current | $I_{SENSEPn}$ and $I_{SENSEMn}$ Inputs, $ V_{IN_DIFF} = 0.17\text{V}$ | ● | | ±5 | μA | |
| DAC Output Characteristics | | | | | | | |
| N_V_{DAC} | Resolution | | | 10 | | Bits | |
| V_{FS_VDAC} | Full-Scale Output Voltage (Programmable) | DAC Code = 0x3FF | ● | 1.3 | 1.38 | 1.44 | V |
| | | DAC Polarity = 1 | ● | 2.5 | 2.65 | 2.77 | V |
| INL_V_{DAC} | Integral Nonlinearity | (Note 6) | ● | | ±2 | LSB | |
| DNL_V_{DAC} | Differential Nonlinearity | (Note 6) | ● | | ±2.4 | LSB | |
| V_{OS_VDAC} | Offset Voltage | (Note 6) | ● | | ±15 | mV | |
| V_{DAC} | Load Regulation | $V_{DACn} = 2.65\text{V}$, I_{VDACn} Sourcing = 2mA | | | 100 | ppm/mA | |
| | | $V_{DACn} = 0.1\text{V}$, I_{VDACn} Sinking = 2mA | | | 100 | ppm/mA | |
| | PSRR | DC: $3.13\text{V} \leq V_{DD33} \leq 3.47\text{V}$, $V_{PWR} = V_{DD33}$ | | | 60 | dB | |
| | Leakage Current | V_{DACn} Hi-Z, $0\text{V} \leq V_{DACn} \leq 6\text{V}$ | ● | | ±100 | nA | |
| | Short-Circuit Current Low | V_{DACn} Shorted to GND | ● | -12 | | -4 | mA |
| | Short-Circuit Current High | V_{DACn} Shorted to V_{DD33} | ● | 4 | | 12 | mA |
| C_{OUT} | Output Capacitance | V_{DACn} Hi-Z | | | 10 | pF | |
| t_{S_VDAC} | DAC Output Update Rate | Fast Servo Mode | | | 250 | μs | |
| Voltage Supervisor Characteristics | | | | | | | |
| V_{IN_VS} | Input Voltage Range (Programmable) | $V_{IN_VS} = (V_{SENSEPn} - V_{SENSEMn})$ Low Resolution Mode | ● | 0 | | 6 | V |
| | | $V_{IN_VS} = (V_{SENSEPn} - V_{SENSEMn})$ High Resolution Mode | ● | 0 | | 3.8 | V |
| | | Single-Ended Voltage: $V_{SENSEMn}$ | ● | -0.1 | | 0.1 | V |
| N_VS | Voltage Sensing Resolution | 0V to 3.8V Range: High Resolution Mode | | | 4 | mV/LSB | |
| | | 0V to 6V Range: Low Resolution Mode | | | 8 | mV/LSB | |
| TUE_VS | Total Unadjusted Error | $2\text{V} \leq V_{IN_VS} \leq 6\text{V}$, Low Resolution Mode | ● | | ±1.25 | % of Reading | |
| | | $1.5\text{V} < V_{IN_VS} \leq 3.8\text{V}$, High Resolution Mode | ● | | ±1.0 | % of Reading | |
| | | $0.8\text{V} \leq V_{IN_VS} \leq 1.5\text{V}$, High Resolution Mode | ● | | ±1.5 | % of Reading | |
| t_{S_VS} | Update Period | | | | 12.21 | μs | |
| Current Supervisor Characteristics | | | | | | | |
| V_{IN_CS} | Current Sense Input Range | Single-Ended Voltage: $I_{SENSEPn}$, $I_{SENSEMn}$ | ● | -0.1 | | 6 | V |
| | | Differential Voltage: $V_{IN_CS} = (I_{SENSEPn} - I_{SENSEMn})$ | ● | -170 | | 170 | mV |
| N_CS | Current Sense Resolution | $I_{OUT_OC_FAULT_LIMIT} \cdot I_{OUT_CAL_GAIN}$ $I_{OUT_UC_FAULT_LIMIT} \cdot I_{OUT_CAL_GAIN}$ | | | 400 | μV/LSB | |
| TUE_CS | Total Unadjusted Error | $50\text{mV} \leq V_{IN_CS} \leq 170\text{mV}$ | ● | | ±3 | % of Reading | |
| | | $ V_{IN_CS} < 50\text{mV}$ | ● | | ±1.5 | mV | |
| V_{OS_CS} | Offset Error | $V_{IN_CS} = 0$ | ● | | ±600 | μV | |
| t_{S_CS} | Update Period | | | | 12.21 | μs | |

ELECTRICAL CHARACTERISTICS The ● denotes the specifications which apply over the full operating temperature range, otherwise specifications are at $T_J = 25^\circ\text{C}$. $V_{PWR} = V_{IN_SNS} = 12\text{V}$, V_{DD33} , V_{DD25} , REFP and REFM pins floating, unless otherwise indicated. $C_{VDD33} = 100\text{nF}$, $C_{VDD25} = 100\text{nF}$, $C_{VIN_SNS_CAP} = 10\text{nF}$ and $C_{REF} = 100\text{nF}$.

| SYMBOL | PARAMETER | CONDITIONS | MIN | TYP | MAX | UNITS | |
|-------------------------------------------------------------------------|--------------------------------------------------|-----------------------------------------------------------------------------------------------------------------------------------|-----|------|---------|------------------|------------------|
| V_{IN_SNS} Input Characteristics | | | | | | | |
| V_{IN_SNS} | V_{IN_SNS} Input Voltage Range | (Note 11) | ● | 0 | 15 | V | |
| I_{VIN_SNS} | V_{IN_SNS} Input Current | $V_{VIN_SNS} = 4.5\text{V}$ | ● | 80 | 140 | 200 | μA |
| | | $V_{VIN_SNS} = 12\text{V}$ | ● | 150 | 250 | 350 | μA |
| | | $V_{VIN_SNS} = 15\text{V}$ | ● | 180 | 300 | 420 | μA |
| $TUE_{VIN_SNS_T}$ | VIN_ON, VIN_OFF Threshold Total Unadjusted Error | $4.5\text{V} \leq V_{VIN_SNS} \leq 8\text{V}$ | ● | | | ± 2.0 | % of Reading |
| | | $V_{VIN_SNS} > 8\text{V}$ | ● | | | ± 1.0 | % of Reading |
| TUE_{VIN} | READ_VIN Total Unadjusted Error | $4.5\text{V} \leq V_{VIN_SNS} \leq 15\text{V}$ (Note 11) | ● | | | ± 0.5 | % of Reading |
| DAC Soft-Connect Comparator Characteristics | | | | | | | |
| V_{OS_CMP} | Offset Voltage | $V_{DACPn} = 0.2\text{V}$ | ● | | ± 1 | ± 18 | mV |
| | | $V_{DACPn} = 1.3\text{V}$ | ● | | ± 2 | ± 26 | mV |
| | | $V_{DACPn} = 2.65\text{V}$ | ● | | ± 3 | ± 52 | mV |
| Input Current Sense Characteristics | | | | | | | |
| V_{IIN} | Common Mode Input Range | $V_{IIN_SNSP} = V_{IIN_SNSM}$ (Note 11) | ● | 4.5 | 15 | V | |
| I_{IIN} | I_{IIN_SNSP} , I_{IIN_SNSM} Input Current | $V_{IIN_SNSP} = V_{IIN_SNSM} = V_{IIN_SNS}$ (Note 2) | ● | 0.5 | 2 | μA | |
| FS_{IIN} | Full-Scale Input Current Sense Voltage Range | Referred to $(V_{IIN_SNSP} - V_{IIN_SNSM})$ High Range | ● | -100 | 100 | mV | |
| | | Medium Range | ● | -50 | 50 | mV | |
| | | Low Range | ● | -20 | 20 | mV | |
| TUE_{IIN} | Total Unadjusted Error | $ V_{IIN_SNSP} - V_{IIN_SNSM} = 100\text{mV}$, High Range | ● | | | ± 0.6 | % of Reading |
| | | $ V_{IIN_SNSP} - V_{IIN_SNSM} = 50\text{mV}$, Medium Range | ● | | | ± 0.65 | % of Reading |
| | | $ V_{IIN_SNSP} - V_{IIN_SNSM} = 20\text{mV}$, Low Range | ● | | | ± 0.75 | % of Reading |
| | | $ V_{IIN_SNSP} - V_{IIN_SNSM} = 20\text{mV}$, High Range | ● | | | ± 1 | % of Reading |
| | | $ V_{IIN_SNSP} - V_{IIN_SNSM} = 15\text{mV}$, Medium Range | ● | | | ± 1 | % of Reading |
| | | $ V_{IIN_SNSP} - V_{IIN_SNSM} = 10\text{mV}$, Low Range | ● | | | ± 1 | % of Reading |
| $CMRR_{IIN}$ | DC CMRR | $4.5\text{V} \leq V_{IIN_SNSP} = V_{IIN_SNS} \leq 15\text{V}$ $ V_{IIN_SNSP} - V_{IIN_SNSM} = 100\text{mV}$ High Range | ● | 85 | | | dB |
| | | AC CMRR | | | 85 | | dB |
| | | $V_{IIN_SNSP} = V_{IIN_SNS} = 12\text{V} \pm 100\text{mV}$ $f = 62.5\text{kHz}$ | | | | | |
| t_{CONV_IIN} | Conversion Time | | | 25 | | ms | |
| t_{UPDATE} | Update Rate | | | 5.4 | | Hz | |
| External Temperature Sensor Characteristics (READ_TEMPERATURE_1) | | | | | | | |
| t_{CONV_TSENSE} | Conversion Time | For One Channel, (Total Latency For All Channels Is $4 \cdot 66\text{ms}$) | | | 66 | ms | |
| I_{TSENSE_HI} | T_{SENSE} High Level Current | | ● | -90 | -64 | -40 | μA |
| I_{TSENSE_LOW} | T_{SENSE} Low Level Current | | ● | -5.5 | -4 | -2.5 | μA |
| TUE_{TS} | Total Unadjusted Error | Ideal Diode Assumed | ● | | | ± 3 | $^\circ\text{C}$ |
| N_{TS} | Maximum Ideality Factor | $READ_TEMPERATURE_1 = 175^\circ\text{C}$ $MFR_TEMP_1_GAIN = 1/N_{TS}$ | | | | 1.10 | |
| Internal Temperature Sensor Characteristics (READ_TEMPERATURE_2) | | | | | | | |
| TUE_{TS2} | Total Unadjusted Error | | | | ± 1 | $^\circ\text{C}$ | |

ELECTRICAL CHARACTERISTICS The ● denotes the specifications which apply over the full operating temperature range, otherwise specifications are at $T_J = 25^\circ\text{C}$. $V_{\text{PWR}} = V_{\text{IN_SNS}} = 12\text{V}$, V_{DD33} , V_{DD25} , REFP and REFM pins floating, unless otherwise indicated. $C_{\text{VDD33}} = 100\text{nF}$, $C_{\text{VDD25}} = 100\text{nF}$, $C_{\text{VIN_SNS_CAP}} = 10\text{nF}$ and $C_{\text{REF}} = 100\text{nF}$.

| SYMBOL | PARAMETER | CONDITIONS | MIN | TYP | MAX | UNITS | |
|--------------------------------------------------------------------------------------------------------------|---------------------------------------------------------|-------------------------------------------------------------------------------------------|-----|--------|-----|-----------|---------------|
| $V_{\text{OUT_EN}n}$ Enable Output ($V_{\text{OUT_EN}}[3:0]$) Characteristics | | | | | | | |
| $V_{\text{VOUT_EN}n}$ | Output High Voltage | $I_{\text{VOUT_EN}n} = -5\mu\text{A}$, $V_{\text{DD33}} = 3.13\text{V}$ | ● | 10 | 13 | 14.7 | V |
| $I_{\text{VOUT_EN}n}$ | Output Sourcing Current | $V_{\text{VOUT_EN}n}$ Pull-Up Enabled, $V_{\text{VOUT_EN}n} = 1\text{V}$ | ● | -5 | -7 | -9 | μA |
| | Output Sinking Current | Strong Pull-Down Enabled, $V_{\text{VOUT_EN}n} = 0.4\text{V}$ | ● | 2.5 | 5 | 8 | mA |
| | | Weak Pull-Down Enabled, $V_{\text{VOUT_EN}n} = 0.4\text{V}$ | ● | 33 | 50 | 65 | μA |
| | Output Leakage Current | Internal Pull-Up Disabled, $0\text{V} \leq V_{\text{VOUT_EN}n} \leq 15\text{V}$ | ● | | | ± 1 | μA |
| General Purpose Output (AUXFAULTB) Characteristics | | | | | | | |
| $V_{\text{AUXFAULTB}}$ | Output High Voltage | $I_{\text{AUXFAULTB}} = -5\mu\text{A}$, $V_{\text{DD33}} = 3.13\text{V}$ | ● | 10 | 13 | 14.7 | V |
| $I_{\text{AUXFAULTB}}$ | Output Sourcing Current | AUXFAULTB Pull-Up Enabled, $V_{\text{AUXFAULTB}} = 1\text{V}$ | ● | -5 | -7 | -9 | μA |
| | Output Sinking Current | Strong Pull-Down Enabled, $V_{\text{AUXFAULTB}} = 0.4\text{V}$ | ● | 2.5 | 5 | 8 | mA |
| | Output Leakage Current | Internal Pull-Up Disabled, $0\text{V} \leq V_{\text{AUXFAULTB}} \leq 15\text{V}$ | ● | | | ± 1 | μA |
| Energy Meter Characteristics | | | | | | | |
| TUE_ETB | Energy Meter Time-Base Error | | ● | | | ± 1.5 | % of Reading |
| TUE_PIN | READ_PIN Total Unadjusted Error | $V_{\text{IIN_SNSP}} - V_{\text{IIN_SNSM}} = 50\text{mV}$, Medium Range | ● | | | ± 1 | % of Reading |
| TUE_EIN | Energy Meter Total Unadjusted Error | $V_{\text{IIN_SNSP}} - V_{\text{IIN_SNSM}} = 50\text{mV}$, Medium Range | ● | | | ± 2.5 | % of Reading |
| EEPROM Characteristics | | | | | | | |
| Endurance | (Notes 7, 10) | $0^\circ\text{C} < T_J < 85^\circ\text{C}$ During EEPROM Write Operations | ● | 10,000 | | | Cycles |
| Retention | (Notes 7, 10) | $T_J < 105^\circ\text{C}$ | ● | 20 | | | Years |
| $t_{\text{MASS_WRITE}}$ | Mass Write Operation Time (Note 8) | STORE_USER_ALL, $0^\circ\text{C} < T_J < 85^\circ\text{C}$ During EEPROM Write Operations | ● | | 440 | 4100 | ms |
| Digital Inputs SCL, SDA, CONTROL0, CONTROL1, CONTROL2, CONTROL3, WDI/RESETB, FAULTB0, FAULTB1, WP | | | | | | | |
| V_{IH} | High Level Input Voltage | FAULTB0, FAULTB1, SDA, SCL, WDI/RESETB, WP | ● | 2.1 | | | V |
| | | CONTROL n Only | ● | 1.85 | | | V |
| V_{IL} | Low Level Input Voltage | FAULTB0, FAULTB1, SDA, SCL, WDI/RESETB, WP | ● | | | 1.5 | V |
| | | CONTROL n Only | ● | | | 1.6 | V |
| V_{HYST} | Input Hysteresis | | | 20 | | | mV |
| I_{LEAK} | Input Leakage Current | $0\text{V} \leq V_{\text{PIN}} \leq 3.6\text{V}$ | ● | | | ± 2 | μA |
| t_{SP} | Pulse Width of Spike Suppressed | FAULTB0, FAULTB1, CONTROL n | | | 10 | | μs |
| | | SDA, SCL | | | 98 | | ns |
| $t_{\text{FAULT_MIN}}$ | Minimum Low Pulse Width for Externally Generated Faults | | | 180 | | | ms |
| t_{RESETB} | Pulse Width to Assert Reset | $V_{\text{WDI/RESETB}} \leq 1.5\text{V}$ | ● | 300 | | | μs |
| t_{WDI} | Pulse Width to Reset Watchdog Timer | $V_{\text{WDI/RESETB}} \leq 1.5\text{V}$ | ● | 0.3 | | 200 | μs |
| f_{WDI} | Watchdog Timer Interrupt Input Frequency | | ● | | | 1 | MHz |
| C_{IN} | Input Capacitance | | | | 10 | | pF |
| Digital Input SHARE_CLK | | | | | | | |
| V_{IH} | High Level Input Voltage | | ● | 1.6 | | | V |
| V_{IL} | Low Level Input Voltage | | ● | | | 0.8 | V |
| $f_{\text{SHARE_CLK_IN}}$ | Input Frequency Operating Range | | ● | 90 | | 110 | kHz |
| t_{LOW} | Assertion Low Time | $V_{\text{SHARE_CLK}} < 0.8\text{V}$ | ● | 0.825 | | 1.11 | μs |

ELECTRICAL CHARACTERISTICS The ● denotes the specifications which apply over the full operating temperature range, otherwise specifications are at $T_J = 25^\circ\text{C}$. $V_{PWR} = V_{IN_SNS} = 12\text{V}$, V_{DD33} , V_{DD25} , REFP and REFM pins floating, unless otherwise indicated. $C_{VDD33} = 100\text{nF}$, $C_{VDD25} = 100\text{nF}$, $C_{VIN_SNS_CAP} = 10\text{nF}$ and $C_{REF} = 100\text{nF}$.

| SYMBOL | PARAMETER | CONDITIONS | MIN | TYP | MAX | UNITS |
|------------|-----------------------|------------------------------------------------------------------|-----|-----|---------|---------------|
| t_{RISE} | Rise Time | $V_{SHARE_CLK} < 0.8\text{V}$ to $V_{SHARE_CLK} > 1.6\text{V}$ | ● | | 450 | ns |
| I_{LEAK} | Input Leakage Current | $0\text{V} \leq V_{SHARE_CLK} \leq V_{DD33} + 0.3\text{V}$ | ● | | ± 1 | μA |
| C_{IN} | Input Capacitance | | | 10 | | pF |

Digital Outputs SDA, ALERTB, SHARE_CLK, FAULTB0, FAULTB1, PWRGD

| | | | | | | | |
|-----------------------|----------------------------------|--------------------------------------|---|----|-----|-----|-----|
| V_{OL} | Digital Output Low Voltage | $I_{SINK} = 3\text{mA}$ | ● | | 0.4 | V | |
| $f_{SHARE_CLK_OUT}$ | Output Frequency Operating Range | 5.49k Ω Pull-Up to V_{DD33} | ● | 90 | 100 | 110 | kHz |

Digital Inputs ASELO,ASEL1

| | | | | | | |
|-------------|------------------------------|------------------------------|---|------------------|----------|---------------|
| V_{IH} | Input High Threshold Voltage | | ● | $V_{DD33} - 0.5$ | | V |
| V_{IL} | Input Low Threshold Voltage | | ● | | 0.5 | V |
| $I_{IH,IL}$ | High, Low Input Current | $ASEL[1:0] = 0$, V_{DD33} | ● | | ± 95 | μA |
| I_{HIZ} | Hi-Z Input Current | | ● | | ± 24 | μA |
| C_{IN} | Input Capacitance | | | 10 | | pF |

Serial Bus Timing Characteristics

| | | | | | | | |
|--------------------|---------------------------------------------------------------------------------------------------------|------------------------------------------------|---|-----|-----|---------------|----|
| f_{SCL} | Serial Clock Frequency (Note 9) | | ● | 10 | 400 | kHz | |
| t_{LOW} | Serial Clock Low Period (Note 9) | | ● | 1.3 | | μs | |
| t_{HIGH} | Serial Clock High Period (Note 9) | | ● | 0.6 | | μs | |
| t_{BUF} | Bus Free Time Between Stop and Start (Note 10) | | ● | 1.3 | | μs | |
| $t_{HD,STA}$ | Start Condition Hold Time (Note 9) | | ● | 600 | | ns | |
| $t_{SU,STA}$ | Start Condition Setup Time (Note 9) | | ● | 600 | | ns | |
| $t_{SU,STO}$ | Stop Condition Setup Time (Note 9) | | ● | 600 | | ns | |
| $t_{HD,DAT}$ | Data Hold Time (LTC2975 Receiving Data) (Note 9) | | ● | 0 | | ns | |
| | Data Hold Time (LTC2975 Transmitting Data) (Note 9) | | ● | 300 | 900 | ns | |
| $t_{SU,DAT}$ | Data Setup Time (Note 9) | | ● | 100 | | ns | |
| t_{SP} | Pulse Width of Spike Suppressed (Note 9) | | | | 98 | ns | |
| $t_{TIMEOUT_BUS}$ | Time Allowed to Complete any PMBus Command After Which Time SDA Will Be Released and Command Terminated | $Mfr_config_all_longer_pmbus_timeout = 0$ | ● | | 25 | 35 | ms |
| | | $Mfr_config_all_longer_pmbus_timeout = 1$ | ● | | 200 | 280 | ms |

Additional Digital Timing Characteristics

| | | | | | | |
|----------------|----------------------------------|--|--|--|-----|----|
| t_{OFF_MIN} | Minimum Off-Time for Any Channel | | | | 100 | ms |
|----------------|----------------------------------|--|--|--|-----|----|

Note 1: Stresses beyond those listed under Absolute Maximum Ratings may cause permanent damage to the device. Exposure to any Absolute Maximum Rating condition for extended periods may affect device reliability and lifetime.

Note 2: All currents into device pins are positive. All currents out of device pins are negative. All voltages are referenced to GND unless otherwise specified. If power is supplied to the chip via the V_{DD33} pin only, connect V_{PWR} and V_{DD33} pins together.

Note 3: Hysteresis in the output voltage is created by package stress that differs depending on whether IC was previously at a higher or lower temperature. Output voltage is always measured at 25°C , but the IC is

cycled to 105°C or -40°C before successive measurements. Hysteresis is roughly proportional to the square of the temperature change.

Note 4: The current sense resolution is determined by the L11 format and the mV units of the returned value. For example, a full-scale value of 170mV returns a L11 value of $0xF2A8 = 680 \cdot 2^{-2} = 170$. This is the lowest range that can represent this value without overflowing the L11 mantissa and the resolution for 1LSB in this range is $2^{-2}\text{mA} = 250\mu\text{A}$. Each successively lower range improves resolution by cutting the LSB size in half.

Note 5: The nominal time between successive ADC conversions (latency of the ADC) for any given channel is t_{UPDATE_ADC} .

ELECTRICAL CHARACTERISTICS

Note 6: Nonlinearity is defined from the first code that is greater than or equal to the maximum offset specification to full-scale code, 1023.

Note 7: EEPROM endurance and retention are guaranteed by design, characterization and correlation with statistical process controls. The minimum retention specification applies for devices whose EEPROM has been cycled less than the minimum endurance specification.

Note 8: The LTC2975 will not acknowledge any PMBus commands, except for MFR_COMMON, when a STORE_USER_ALL command is being executed. See also OPERATION section.

Note 9: Maximum capacitive load, C_B , for SCL and SDA is 400pF. Data and clock rise time (t_r) and fall time (t_f) are: $(20 + 0.1 \cdot C_B)$ (ns) $< t_r < 300$ ns and $(20 + 0.1 \cdot C_B)$ (ns) $< t_f < 300$ ns. C_B = capacitance of one bus line in

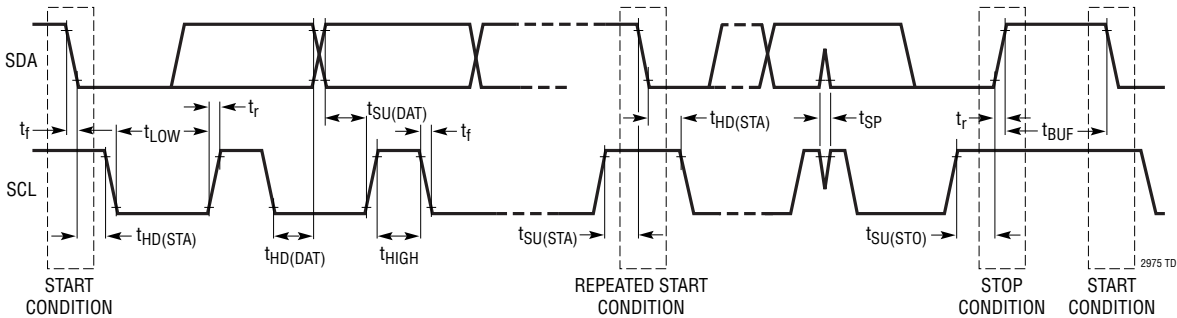
pF. SCL and SDA external pull-up voltage, V_{I0} , is $3.13V < V_{I0} < 3.6V$.

Note 10: EEPROM endurance and retention will be degraded when $T_J > 105^\circ C$.

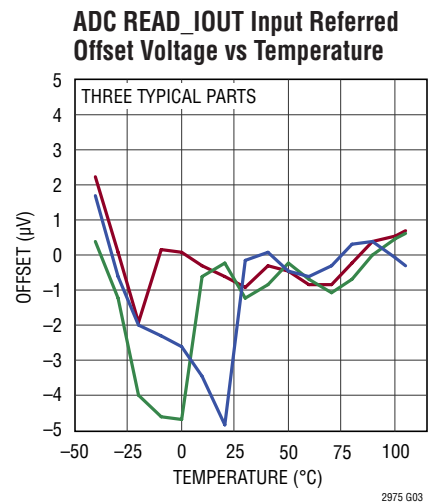
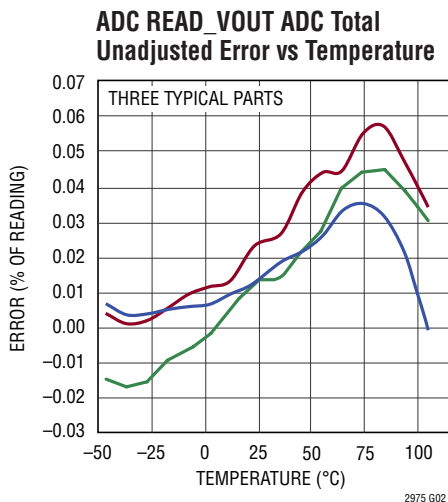
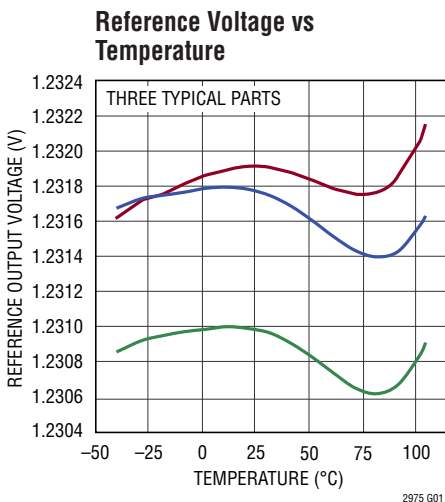
Note 11: While READ_VIN operates with $0V \leq V_{IN_SNS} \leq 15V$, the valid READ_IIN, READ_PIN, and MFR_EIN operating range is $4.5V \leq V_{IN_SNS} \leq 15V$.

Note 12: V_{SENSE} and I_{SENSE} input currents are characterized by input current and input differential current. Input current is defined as current into a single device pin (see Note 2). Input differential current is defined as $(I^+ - I^-)$ where I^+ is the current into the positive device pin and I^- is the current into the negative device pin.

PMBUS TIMING DIAGRAM

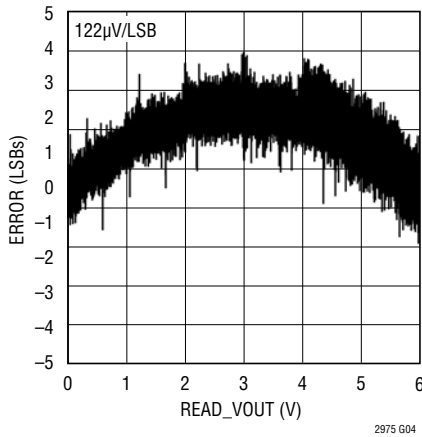


TYPICAL PERFORMANCE CHARACTERISTICS

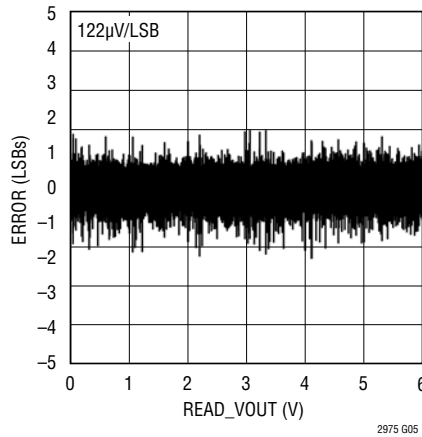


TYPICAL PERFORMANCE CHARACTERISTICS

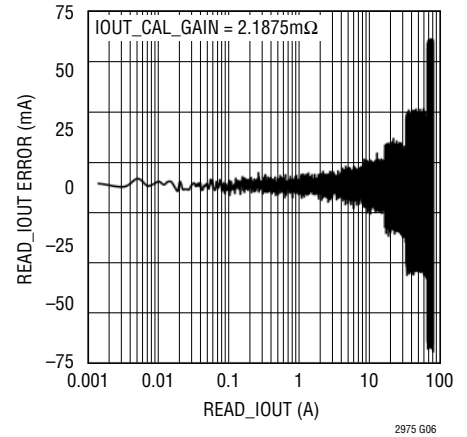
ADC READ_VOUT-INL



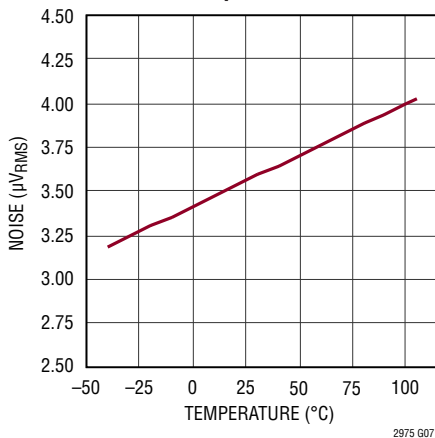
ADC READ_VOUT-DNL



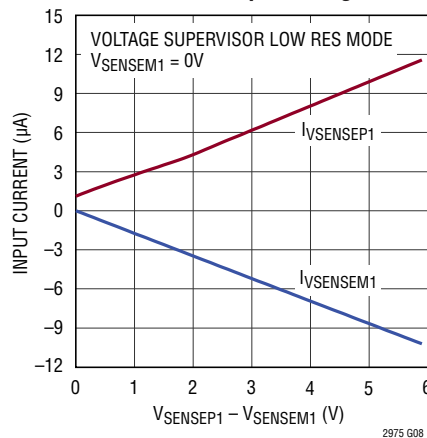
ADC READ_IOUT Error vs READ_IOUT



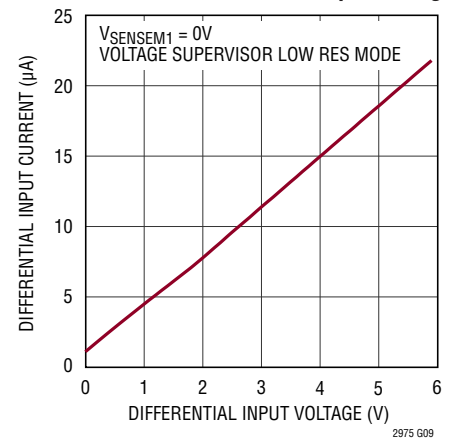
ADC READ_IOUT Input Referred Noise vs Temperature



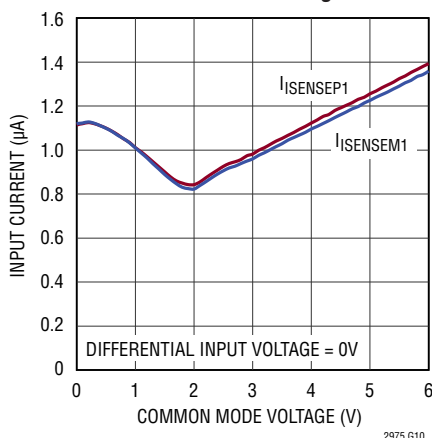
Voltage Sense Input Currents vs Differential Input Voltage



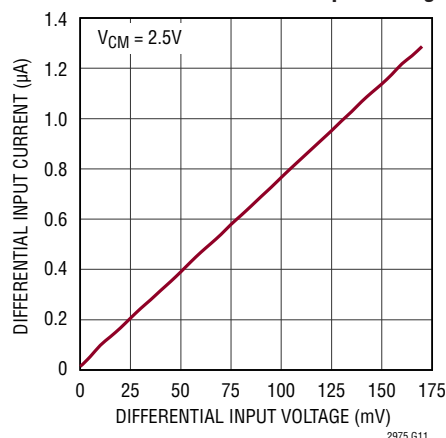
Voltage Sense Differential Input Current vs Differential Input Voltage



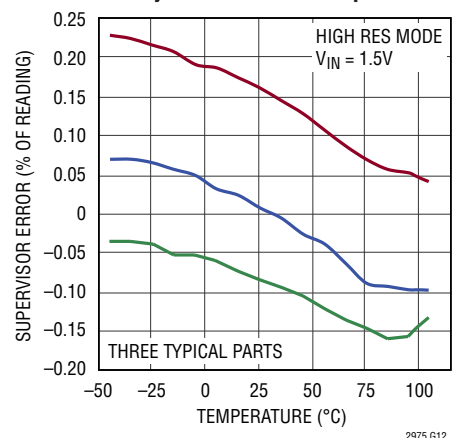
Current Sense Input Current vs Common Mode Voltage



Current Sense Differential Input Current vs Differential Input Voltage

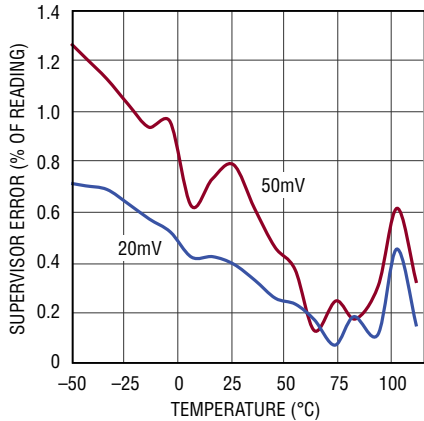


Voltage Supervisor Total Unadjusted Error vs Temperature

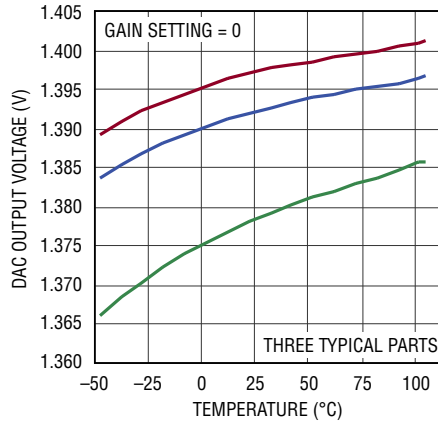


TYPICAL PERFORMANCE CHARACTERISTICS

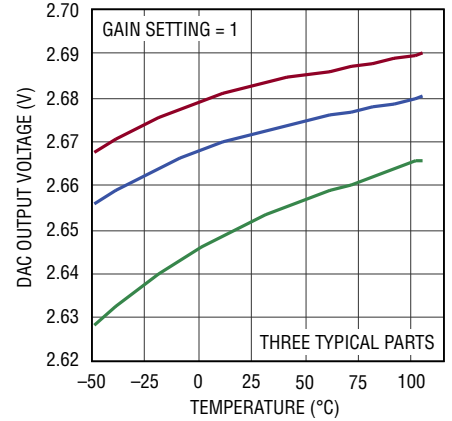
Current Supervisor Total Unadjusted Error vs Temperature



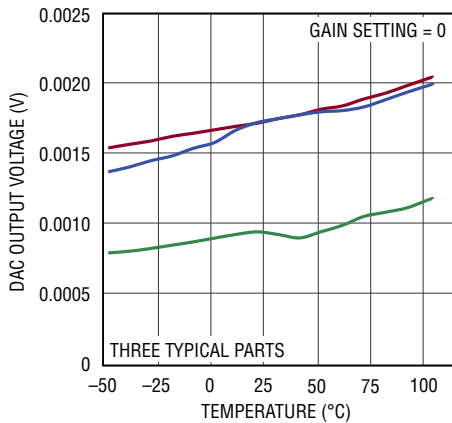
DAC Full-Scale Voltage vs Temperature, Gain Setting = 0



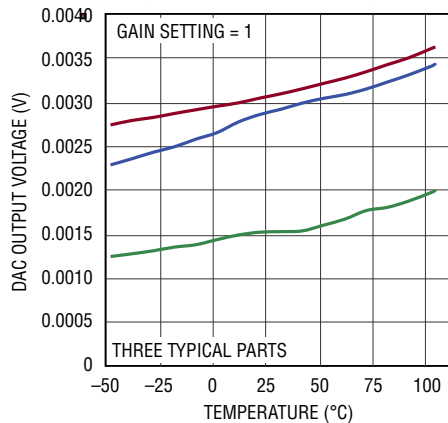
DAC Full-Scale Voltage vs Temperature, Gain Setting = 1



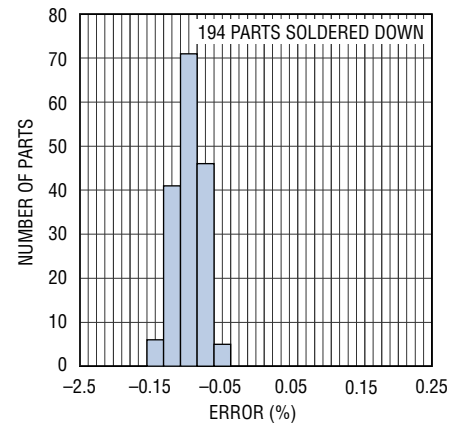
DAC Offset Voltage vs Temperature, Gain Setting = 0



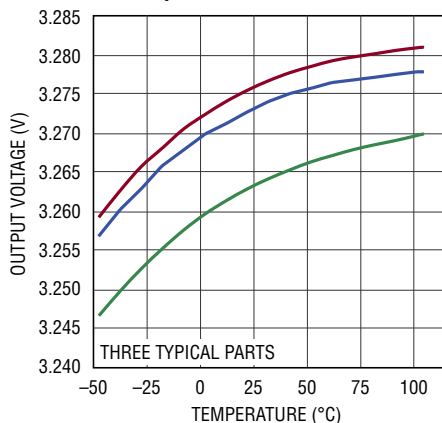
DAC Offset Voltage vs Temperature, Gain Setting = 1



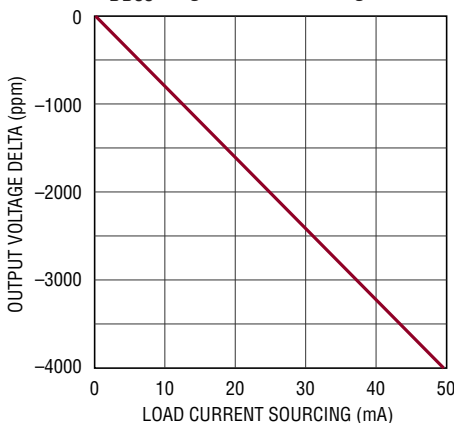
Closed Loop Servo Error



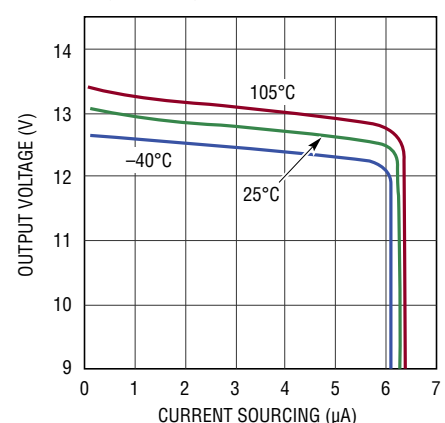
V_{DD33} Regulator Output Voltage vs Temperature



V_{DD33} Regulator Load Regulation

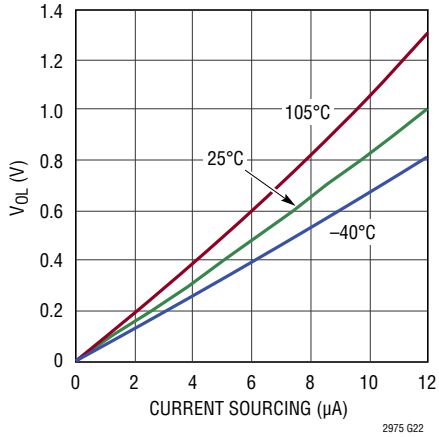


V_{OUT_EN[0:3]} and AUXFAULTB Output High Voltage vs Load Current

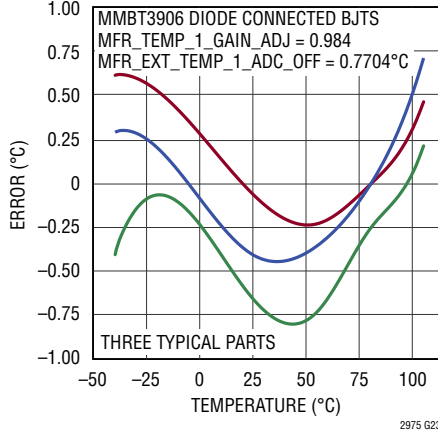


TYPICAL PERFORMANCE CHARACTERISTICS

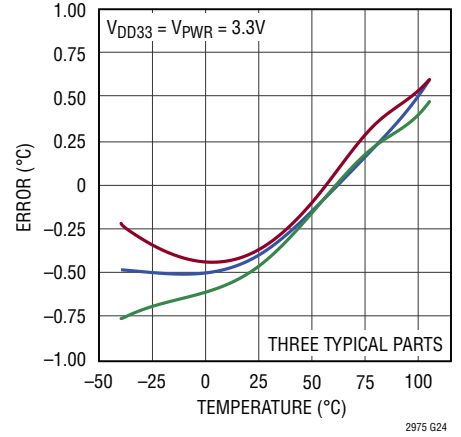
V_{OUT_EN[0:3]} and AUXFAULTB VOL vs Load Current



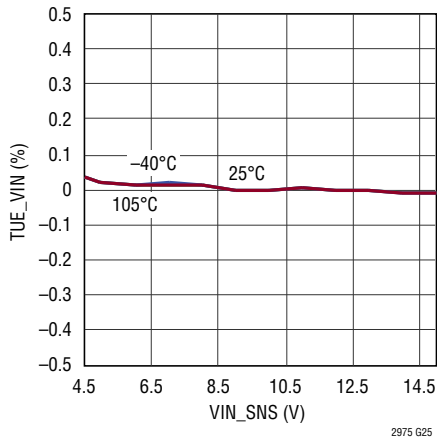
External Temperature READ_TEMPERATURE_1 Error vs Temperature



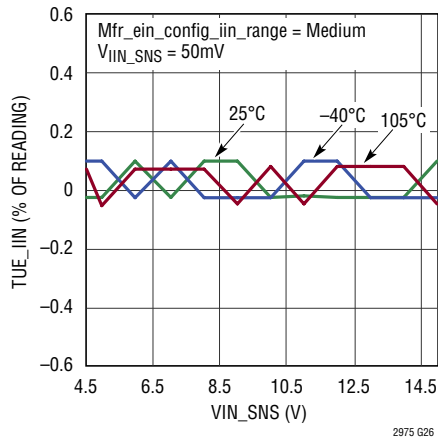
READ_TEMPERATURE_2 Error vs Temperature



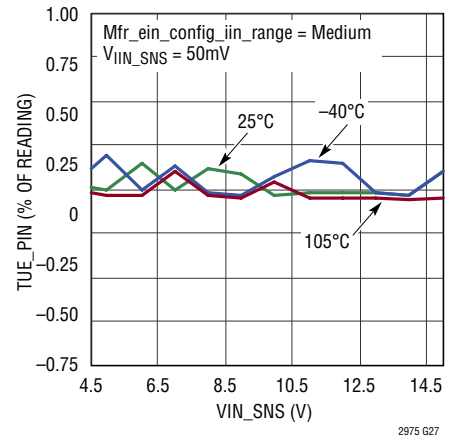
TUE_VIN vs VIN_SNS



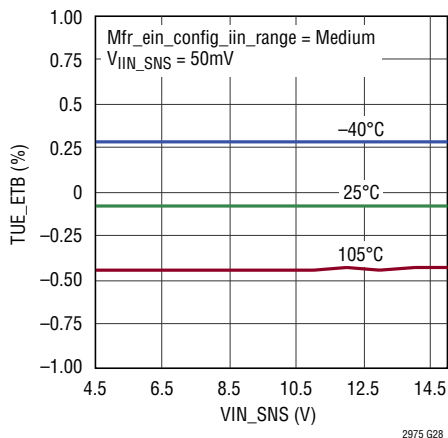
TUE_IIN vs VIN_SNS



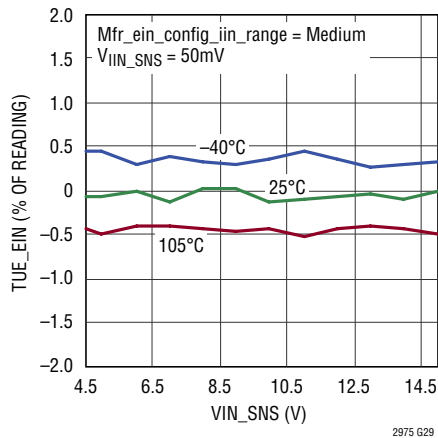
TUE_PIN vs VIN_SNS



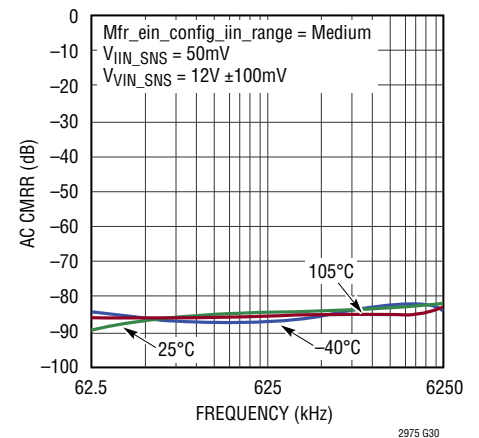
TUE_ETB vs VIN_SNS



TUE_EIN vs VIN_SNS



READ_IIN Common Mode Gain vs Frequency



PIN FUNCTIONS

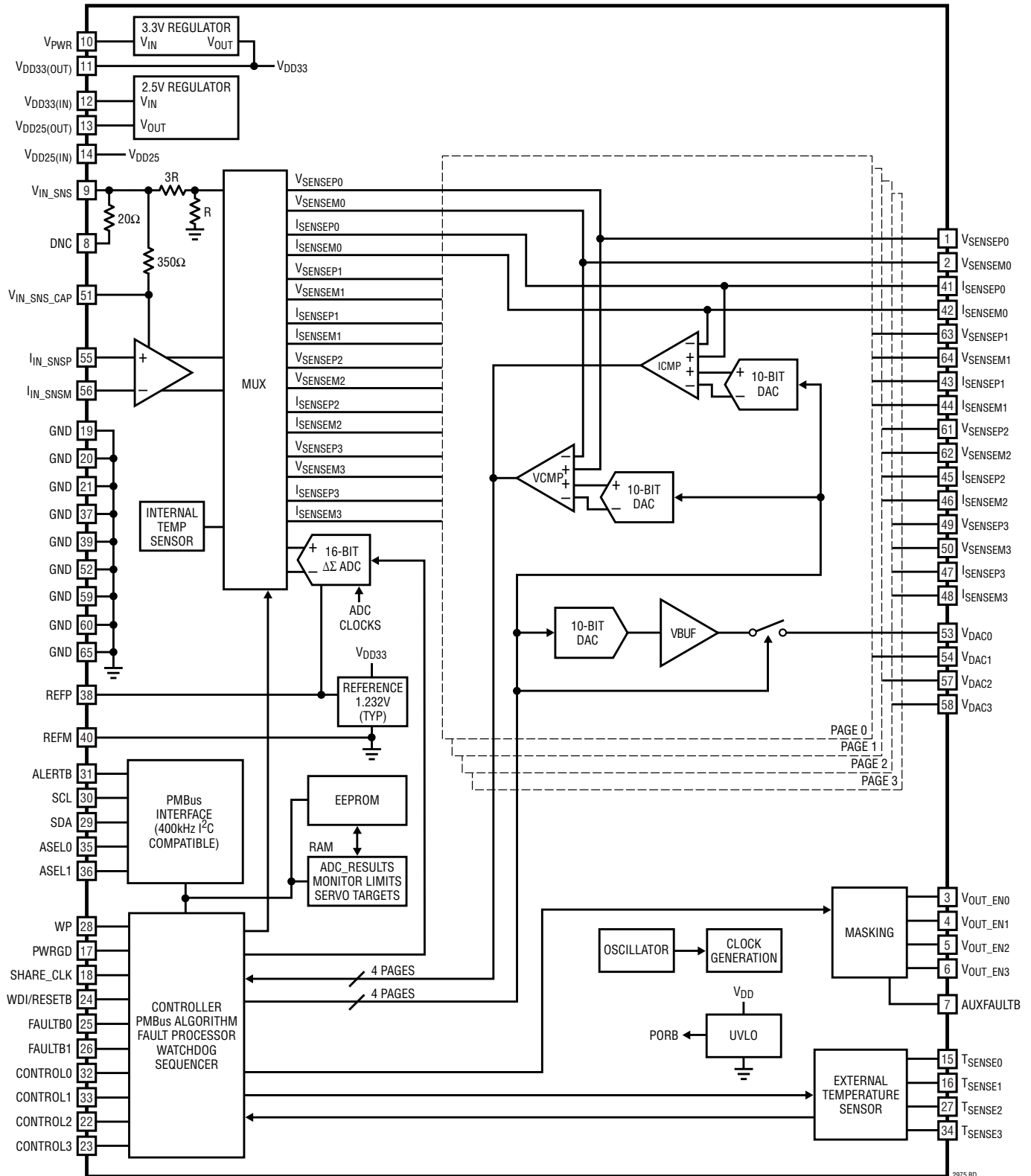
| PIN NAME | PIN NUMBER | PIN TYPE | DESCRIPTION |
|----------------------|------------|----------------|-----------------------------------------------------------------------------------------------------------------------------------------------------------------------------------------------------------------------------------------------------------------------------------------------------------------------|
| V _{SENSE0} | 1* | In | DC/DC Converter Differential (+) Output Voltage-0 Sensing Pin |
| V _{SENSE0} | 2* | In | DC/DC Converter Differential (-) Output Voltage-0 Sensing Pin |
| V _{OUT_EN0} | 3 | Out | DC/DC Converter Enable-0 Pin. Output High Voltage Optionally Pulled-Up to 12V by 5 μ A |
| V _{OUT_EN1} | 4 | Out | DC/DC Converter Enable-1 Pin. Output High Voltage Optionally Pulled-Up to 12V by 5 μ A |
| V _{OUT_EN2} | 5 | Out | DC/DC Converter Enable-2 Pin. Output High Voltage Optionally Pulled-Up to 12V by 5 μ A |
| V _{OUT_EN3} | 6 | Out | DC/DC Converter Enable-3 Pin. Output High Voltage Optionally Pulled-Up to 12V by 5 μ A |
| AUXFAULTB | 7 | Out | Auxiliary Fault Output Pin. Output High Voltage Optionally Pulled-Up to 12V by 5 μ A. Can Be Configured to Pull Low When OV/OC/UC Detected |
| DNC | 8 | Do Not Connect | Do Not Connect to this Pin |
| V _{IN_SNS} | 9 | In | V _{IN} SENSE Input. This Voltage is Compared Against the V _{IN} On and Off Voltage Thresholds In Order to Determine When to Enable and Disable, Respectively, the Downstream DC/DC Converters |
| V _{PWR} | 10 | In | V _{PWR} Serves as the Unregulated Power Supply Input to the Chip (4.5 to 15V). If a 4.5V to 15V Supply Voltage Is Unavailable, Short V _{PWR} to V _{DD33} and Power the Chip Directly from a 3.3V Supply. Bypass to GND with 0.1 μ F Capacitor. |
| V _{DD33} | 11 | In/Out | If Shorted to V _{PWR} , It Serves as 3.13 to 3.47V Supply Input Pin. Otherwise It Is a 3.3V Internally Regulated Voltage Output (Use 0.1 μ F Decoupling Capacitor to GND). If using the internal regulator to provide V _{DD33} , do not connect to V _{DD33} pins of any other devices. |
| V _{DD33} | 12 | In | Input for Internal 2.5V Sub-Regulator. Short this Pin to Pin 11 |
| V _{DD25} | 13 | In/Out | 2.5V Internally Regulated Voltage Output. Bypass to GND with a 0.1 μ F Capacitor. Do not connect to V _{DD25} pins of any other devices. |
| V _{DD25} | 14 | In | 2.5V Supply Voltage Input. Short this Pin to Pin 13 |
| T _{SENSE0} | 15* | In/Out | External Temperature Current Output and Voltage Input for Channel 0. Maximum allowed capacitance is 1 μ F |
| T _{SENSE1} | 16* | In/Out | External Temperature Current Output and Voltage Input for Channel 1. Maximum allowed capacitance is 1 μ F |
| PWRGD | 17 | Out | Power-Good Open Drain Output. Indicates When Selected Outputs Are Power Good. Can be Used as System Power-on Reset |
| SHARE_CLK | 18 | In/Out | Bidirectional Clock Sharing Pin. Connect a 5.49k Ω Pull-Up Resistor to V _{DD33} . Connect to all other SHARE_CLK pins in the system. |
| GND | 19 | Ground | Chip Ground. Must Be Soldered to PCB |
| GND | 20 | Ground | Chip Ground. Must Be Soldered to PCB |
| GND | 21 | Ground | Chip Ground. Must Be Soldered to PCB |
| CONTROL2 | 22 | In | Control Pin 2 Input |
| CONTROL3 | 23 | In | Control Pin 3 Input |
| WDI/RESETB | 24 | In | Watchdog Timer Interrupt and Chip Reset Input. Connect a 10k Ω Pull-Up Resistor to V _{DD33} . Rising Edge Resets Watchdog Counter. Holding this Pin Low for More than t _{RESETB} Resets the Chip |
| FAULTB0 | 25 | In/Out | Open-Drain Output and Digital Input. Active Low Bidirectional Fault Indicator-0. Connect a 10k Ω Pull-Up Resistor to V _{DD33} |
| FAULTB1 | 26 | In/Out | Open-Drain Output and Digital Input. Active Low Bidirectional Fault Indicator-1. Connect a 10k Ω Pull-Up Resistor to V _{DD33} |
| T _{SENSE2} | 27* | In/Out | External Temperature Current Output and Voltage Input for Channel 2. Maximum allowed capacitance is 1 μ F |
| WP | 28 | In | Digital Input. Write-Protect Input Pin, Active High |
| SDA | 29 | In/Out | PMBus Bidirectional Serial Data Pin |
| SCL | 30 | In | PMBus Serial Clock Input Pin (400kHz Maximum) |
| ALERTB | 31 | Out | Open-Drain Output. Generates an Interrupt Request in a Fault/Warning Situation |

PIN FUNCTIONS

| PIN NAME | PIN NUMBER | PIN TYPE | DESCRIPTION |
|-------------------------|------------|----------|---------------------------------------------------------------------------------------------------------------|
| CONTROL0 | 32 | In | Control Pin 0 Input |
| CONTROL1 | 33 | In | Control Pin 1 Input |
| T _{SENSE3} | 34* | In/Out | External Temperature Current Output and Voltage Input for Channel 3. Maximum allowed capacitance is 1 μ F |
| ASEL0 | 35 | In | Ternary Address Select Pin 0 Input. Connect to V _{DD33} , GND or Float to Encode 1 of 3 Logic States |
| ASEL1 | 36 | In | Ternary Address Select Pin 1 Input. Connect to V _{DD33} , GND or Float to Encode 1 of 3 Logic States |
| GND | 37 | Ground | Chip Ground. Must Be Soldered to PCB |
| REFP | 38 | Out | Reference Voltage Output. Needs 0.1 μ F Decoupling Capacitor to REFM |
| GND | 39 | Ground | Chip Ground. Must Be Soldered to PCB |
| REFM | 40 | Out | Reference Return Pin. Needs 0.1 μ F Decoupling Capacitor to REFP |
| I _{SENSEP0} | 41* | In | DC/DC Converter Differential (+) Output Current-0 Sensing Pin |
| I _{SENSEM0} | 42* | In | DC/DC Converter Differential (-) Output Current-0 Sensing Pin |
| I _{SENSEP1} | 43* | In | DC/DC Converter Differential (+) Output Current-1 Sensing Pin |
| I _{SENSEM1} | 44* | In | DC/DC Converter Differential (-) Output Current-1 Sensing Pin |
| I _{SENSEP2} | 45* | In | DC/DC Converter Differential (+) Output Current-2 Sensing Pin |
| I _{SENSEM2} | 46* | In | DC/DC Converter Differential (-) Output Current-2 Sensing Pin |
| I _{SENSEP3} | 47* | In | DC/DC Converter Differential (+) Output Current-3 Sensing Pin |
| I _{SENSEM3} | 48* | In | DC/DC Converter Differential (-) Output Current-3 Sensing Pin |
| V _{SENSEP3} | 49* | In | DC/DC Converter Differential (+) Output Voltage-3 Sensing Pin |
| V _{SENSEM3} | 50* | In | DC/DC Converter Differential (-) Output Voltage-3 Sensing Pin |
| V _{IN_SNS_CAP} | 51 | Out | V _{IN_SNS} Filter Capacitor Pin. Bypass to Ground with a 10nF Ceramic Capacitor |
| GND | 52 | Ground | Chip Ground. Must be Soldered to PCB. |
| V _{DAC0} | 53 | Out | DAC0 Output |
| V _{DAC1} | 54 | Out | DAC1 Output |
| I _{IN_SNSP} | 55 | In | DC/DC Converter Differential (+) Input Current Sensing Pin. If Unused, Connect to V _{IN_SNS} |
| I _{IN_SNSM} | 56 | In | DC/DC Converter Differential (-) Input Current Sensing Pin. If Unused, Connect to V _{IN_SNS} |
| V _{DAC2} | 57 | Out | DAC2 Output |
| V _{DAC3} | 58 | Out | DAC3 Output |
| GND | 59 | Ground | Chip Ground. Must Be Soldered to PCB |
| GND | 60 | Ground | Chip Ground. Must Be Soldered to PCB |
| V _{SENSEP2} | 61* | In | DC/DC Converter Differential (+) Output Voltage-2 Sensing Pin |
| V _{SENSEM2} | 62* | In | DC/DC Converter Differential (-) Output Voltage-2 Sensing Pin |
| V _{SENSEP1} | 63* | In | DC/DC Converter Differential (+) Output Voltage-1 Sensing Pin |
| V _{SENSEM1} | 64* | In | DC/DC Converter Differential (-) Output Voltage-1 Sensing Pin |
| GND | 65 | Ground | Exposed Pad. Must Be Soldered to PCB |

* Tie any unused V_{SENSEP_n}/I_{SENSEP_n}, V_{SENSEM_n}/I_{SENSEM_n} or T_{SENSE_n} pins to GND. Refer to Unused ADC Sense Inputs in the Applications Information section.

BLOCK DIAGRAM



OPERATION

LTC2975 OPERATION OVERVIEW

The LTC2975 is a PMBus programmable power supply controller, monitor, sequencer and voltage and current supervisor that can perform the following operations:

- Accept PMBus compatible programming commands.
- Provide DC/DC converter input voltage, output voltage, output current, output temperature, and LTC2975 internal temperature readback through the PMBus interface.
- Control the output of DC/DC converters that set the output voltage with a trim pin or DC/DC converters that set the output voltage using an external resistor feedback network.
- Sequence the startup of DC/DC converters via PMBus programming and the CONTROL input pins. The LTC2975 supports time-based sequencing and tracking sequencing. Cascade sequence on with time based sequence off is also supported.
- Trim the DC/DC converter output voltage (typically in 0.02% steps), in closed-loop servo operating mode, autonomously or through PMBus programming.
- Margin the DC/DC converter output voltage to PMBus programmed limits.
- Trim or margin the DC/DC converter output voltage with direct access to the margin DAC.
- Supervise the DC/DC converter input voltage, output voltage, load current and the inductor temperatures for overvalue/undervalue conditions with respect to PMBus programmed limits and generate appropriate faults and warnings.
- Accurately handle inductor self-heating transients using a proprietary algorithm. These self-heating effects are combined with external temperature sensor readings to improve accuracy of current supervisors and ADC current measurement.
- Respond to a fault condition by continuing operation indefinitely, latching-off after a programmable deglitch period, latching-off immediately or sequencing off after TOFF_DELAY. Use retry mode to automatically recover from a latched-off condition. With retry enabled, MFR_RETRY_COUNT programs the number of retries (0 to 6 or infinite) for all pages.
- Optionally stop trimming the DC/DC converter output voltage after it reaches the initial margin or nominal target. Optionally allow trimming restart if target drifts outside of V_{OUT} warning limits.
- Store command register contents with CRC to EEPROM through PMBus programming.
- Restore EEPROM contents through PMBus programming or when V_{DD33} is applied on power-up.
- Report the DC/DC converter output voltage status through the power good output.
- Generate interrupt requests by asserting the ALERTB pin in response to supported PMBus faults and warnings.
- Coordinate system wide fault responses for all DC/DC converters connected to the LTC2975 FAULTB0 and FAULTB1 pins.
- Synchronize sequencing delays or shutdown for multiple devices using the SHARE_CLK pin.
- Software and hardware write protect the command registers.
- Disable the input voltage to the supervised DC/DC converters in response to output OV, UV, OC and UC faults.
- Log telemetry and status data to EEPROM in response to a faulted-off condition.
- Supervise an external microcontroller's activity for a stalled condition with a programmable watchdog timer and reset it if necessary.
- Prevent a DC/DC converter from re-entering the on state after a power cycle until a programmable interval (MFR_RESTART_DELAY) has elapsed and its output has decayed below a programmable threshold voltage (MFR_VOUT_DISCHARGE_THRESHOLD).
- Read high side input current, input voltage, input power, and accumulated input energy.
- Record minimum and maximum input voltage, input current, input power, output voltages, output currents and output temperatures.
- Access user EEPROM data directly, without altering RAM space (Mfr_ee_unlock, Mfr_ee_erase, and Mfr_ee_data). Facilitates in-house bulk programming.
- Accommodate multiple hosts with Command Plus.

OPERATION

EEPROM

The LTC2975 contains internal EEPROM (Non-Volatile Memory) to store configuration settings and fault log information. EEPROM endurance, retention and mass write operation time are specified over the operating temperature range. See Electrical Characteristics and Absolute Maximum Ratings sections.

Non destructive operation above $T_J = 105^\circ\text{C}$ is possible although the Electrical Characteristics are not guaranteed and the EEPROM will be degraded.

Operating the EEPROM above 105°C may result in a degradation of retention characteristics. The fault logging function, which is useful in debugging system problems that may occur at high temperatures, only writes to fault log EEPROM locations. If occasional writes to these registers occur above 105°C , a slight degradation in the data retention characteristics of the fault log may occur.

It is recommended that the EEPROM not be written using STORE_USER_ALL or bulk programming when $T_J > 105^\circ\text{C}$.

The degradation in EEPROM retention for temperatures $>105^\circ\text{C}$ can be approximated by calculating the dimensionless acceleration factor using the following equation.

$$AF = e^{\left[\left(\frac{E_a}{k} \right) \cdot \left(\frac{1}{T_{USE} + 273} - \frac{1}{T_{STRESS} + 273} \right) \right]}$$

where:

AF = acceleration factor

E_a = activation energy = 1.4eV

$k = 8.617 \cdot 10^{-5} \text{ eV/}^\circ\text{K}$

$T_{USE} = 105^\circ\text{C}$ specified junction temperature

$T_{STRESS} = \text{actual junction temperature } ^\circ\text{C}$

Example: Calculate the effect on retention when operating at a junction temperature of 125°C for 10 hours.

$T_{STRESS} = 125^\circ\text{C}$

$T_{USE} = 105^\circ\text{C}$

AF = 8.65

Equivalent operating time at $105^\circ\text{C} = 86.5 \text{ hours}$.

So the overall retention of the EEPROM was degraded by 86.5 hours as a result of operation at a junction temperature of 125°C for 10 hours. Note that the effect of this overstress is negligible when compared to the overall EEPROM retention rating of 175,200 hours at a junction temperature of 105°C .

AUXFAULTB

The AUXFAULTB pin can be configured to indicate when some fault conditions have been detected, using a third output level. See Figure 1 for a conceptual view of this multiplexing.

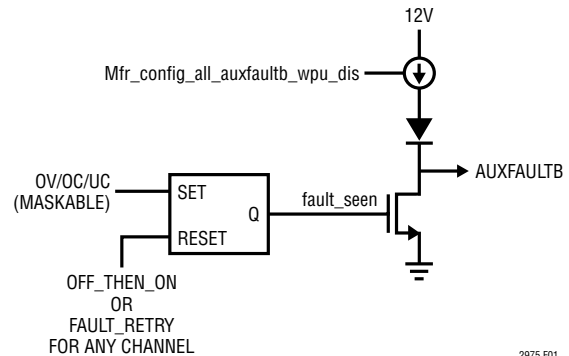


Figure 1. AUXFAULTB MUX

The MFR_CONFIG2_LTC2975 and MFR_CONFIG3_LTC2975 commands can be used on a per channel basis to select which, if any, fault conditions will cause the AUXFAULTB pin to be driven to its third output level (fast pull-down to GND). The only fault types which can be propagated to the AUXFAULTB pin are overvoltage faults and overcurrent/undercurrent faults.

Mfr_config_all_auxfaultb_wpu selects whether the AUXFAULTB pin is in the hi-Z state, or weakly pulled-up to approximately 12V, using a $5\mu\text{A}$ current. As shown in Figure 1, the pull-down to GND overrides if any enabled faults are detected.

OPERATION

RESETB

Holding the WDI/RESETB pin low for more than t_{RESETB} will cause the LTC2975 to enter the power-on reset state. While in the power-on reset state, the device will not communicate on the I²C bus. Following the subsequent rising-edge of the WDI/RESETB pin, the LTC2975 will execute its power-on sequence per the user configuration stored in EEPROM. Connect WDI/RESETB to V_{DD33} with a 10k resistor. WDI/RESETB includes an internal 256 μ s deglitch filter so additional filter capacitance on this pin is not recommended.

PMBus SERIAL DIGITAL INTERFACE

The LTC2975 communicates with a host (master) using the standard PMBus serial bus interface. The PMBus Timing Diagram shows the timing relationship of the signals on the bus. The two bus lines, SDA and SCL, must be high when the bus is not in use. External pull-up resistors or current sources are required on these lines.

The LTC2975 is a slave device. The master can communicate with the LTC2975 using the following formats:

- Master transmitter, slave receiver
- Master receiver, slave transmitter

The following SMBus commands are supported:

- Write Byte, Write Word, Send Byte
- Read Byte, Read Word, Block Read
- Alert Response Address

Figures 2 to 14 illustrate the aforementioned SMBus protocols. All transactions support PEC (packet error check) and GCP (group command protocol). The Block Read supports 255 bytes of returned data. For this reason, the SMBus timeout may be extended using the Mfr_config_all_longer_pmbus_timeout setting.

PMBus

PMBus is an industry standard that defines a means of communication with power conversion devices. It is comprised of an industry standard SMBus serial interface and the PMBus command language.

The PMBus two wire interface is an incremental extension of the SMBus. SMBus is built upon I²C with some minor differences in timing, DC parameters and protocol. The SMBus protocols are more robust than simple I²C byte commands because they provide timeouts to prevent bus hangs and optional Packet Error Checking (PEC) to ensure data integrity. In general, a master device that can be configured for I²C communication can be used for PMBus communication with little or no change to hardware or firmware.

For a description of the minor extensions and exceptions PMBus makes to SMBus, refer to PMBus Specification Part 1 Revision 1.1: Section 5: Transport. This can be found at:

www.pmbus.org

For a description of the differences between SMBus and I²C, refer to System Management Bus (SMBus) Specification Version 2.0: Appendix B – Differences between SMBus and I²C. This can be found at:

www.smbus.org

When using an I²C controller to communicate with a PMBus part it is important that the controller be able to write a byte of data without generating a stop. This will allow the controller to properly form the repeated start of a PMBus read command by concatenating a start command byte write with an I²C read.

Device Address

The I²C/SMBus address of the LTC2975 equals the base address + N where N is a number from 0 to 8. N can be configured by setting the ASEL0 and ASEL1 pins to V_{DD33}, GND or FLOAT. See Table 1. Using one base address and the nine values of N, nine LTC2975s can be connected together to control thirty six outputs. The base address is stored in the MFR_I2C_BASE_ADDRESS register. The base address can be written to any value, but generally should not be changed unless the desired range of addresses overlap existing addresses. Watch that the address range does not overlap with other I²C/SMBus device or global addresses, including I²C/SMBus multiplexers and bus buffers. This will bring you great happiness.

The LTC2975 always responds to its global address and the SMBus Alert Response address regardless of the state of its ASEL pins and the MFR_I2C_BASE_ADDRESS register.

2975f

OPERATION

Processing Commands

The LTC2975 uses a dedicated processing block to ensure quick response to all of its commands. There are a few exceptions where the part will NACK a subsequent command because it is still processing the previous

command. These are summarized in the following tables. MFR_COMMON is a special command that may always be read even when the part is busy. This provides an alternate method for a host to determine if the LTC2975 is busy.

EEPROM Related Commands

| COMMAND | TYPICAL DELAY* | COMMENT |
|-----------------------|--------------------------|------------------------------------------------------------------------------------------------------------------------------------------------------------------------------------------------------------------------------------------------------------|
| STORE_USER_ALL | $t_{\text{MASS_WRITE}}$ | See Electrical Characterization table. The LTC2975 will not accept any commands while it is transferring register contents to the EEPROM. The command byte will be NACKed. MFR_COMMON may always be read. |
| RESTORE_USER_ALL | 30ms | The LTC2975 will not accept any commands while it is transferring EEPROM data to command registers. The command byte will be NACKed. MFR_COMMON may always be read. |
| MFR_FAULT_LOG_CLEAR | 175ms | The LTC2975 will not accept any commands while it is initializing the fault log EEPROM space. The command byte will be NACKed. MFR_COMMON may always be read. |
| MFR_FAULT_LOG_STORE | 20ms | The LTC2975 will not accept any commands while it is transferring fault log RAM buffer to EEPROM space. The command byte will be NACKed. MFR_COMMON may always be read. |
| Internal Fault log | 20ms | An internal fault log event is a one time event that uploads the contents of the fault log to EEPROM in response to a fault. Internal fault logging may be disabled. Commands received during this EEPROM write are NACKed. MFR_COMMON may always be read. |
| MFR_FAULT_LOG_RESTORE | 2ms | The LTC2975 will not accept any commands while it is transferring EEPROM data to the fault log RAM buffer. The command byte will be NACKed. MFR_COMMON may always be read. |

*The typical delay is measured from the command's stop to the next command's start.

Other Commands

| COMMAND | TYPICAL DELAY* | COMMENT |
|---------------|----------------|-----------------------------------------------------------------------------------------------------------------------------------------------|
| MFR_CONFIG | <50 μ s | The LTC2975 will not accept any commands while it is completing this command. The command byte will be NACKed. MFR_COMMON may always be read. |
| IOUT_CAL_GAIN | <500 μ s | The LTC2975 will not accept any commands while it is completing this command. The command byte will be NACKed. MFR_COMMON may always be read. |

*The delay is measured from the command's stop to the next command's start.

Other PMBus Timing Notes

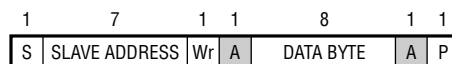
| COMMAND | COMMENT |
|--------------|-----------------------------------------------------------------------------------------------------------------------------------------------|
| CLEAR_FAULTS | The LTC2975 will accept commands while it is completing this command but the affected status flags will not be cleared for up to 500 μ s. |

OPERATION

Table 1. LTC2975 Address Look-Up Table with MFR_I2C_BASE_ADDRESS Set to 7bit 0x5C

| ADDRESS PINS | | DESCRIPTION | HEX DEVICE ADDRESS | | BINARY DEVICE ADDRESS | | | | | | | R/W |
|--------------|-------|----------------|--------------------|-------|-----------------------|---|---|---|---|---|---|-----|
| ASEL1 | ASEL0 | | 7-Bit | 8-Bit | 6 | 5 | 4 | 3 | 2 | 1 | 0 | |
| X | X | Alert Response | 0C | 19 | 0 | 0 | 0 | 1 | 1 | 0 | 0 | 1 |
| X | X | Global | 5B | B6 | 1 | 0 | 1 | 1 | 0 | 1 | 1 | 0 |
| L | L | N = 0 | 5C* | B8 | 1 | 0 | 1 | 1 | 1 | 0 | 0 | 0 |
| L | NC | N = 1 | 5D | BA | 1 | 0 | 1 | 1 | 1 | 0 | 1 | 0 |
| L | H | N = 2 | 5E | BC | 1 | 0 | 1 | 1 | 1 | 1 | 0 | 0 |
| NC | L | N = 3 | 5F | BE | 1 | 0 | 1 | 1 | 1 | 1 | 1 | 0 |
| NC | NC | N = 4 | 60 | C0 | 1 | 1 | 0 | 0 | 0 | 0 | 0 | 0 |
| NC | H | N = 5 | 61 | C2 | 1 | 1 | 0 | 0 | 0 | 0 | 1 | 0 |
| H | L | N = 6 | 62 | C4 | 1 | 1 | 0 | 0 | 0 | 1 | 0 | 0 |
| H | NC | N = 7 | 63 | C6 | 1 | 1 | 0 | 0 | 0 | 1 | 1 | 0 |
| H | H | N = 8 | 64 | C8 | 1 | 1 | 0 | 0 | 1 | 0 | 0 | 0 |

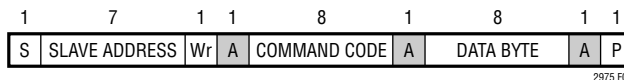
H = Tie to V_{DD33}, NC = No Connect = Open or Float, L = Tie to GND, X = Don't Care
 *MFR_I2C_BASE_ADDRESS = 7bit 0x5C (Factory Default)



- S START CONDITION
- Sr REPEATED START CONDITION
- Rd READ (BIT VALUE OF 1)
- Wr WRITE (BIT VALUE OF 0)
- \bar{A} NOT ACKNOWLEDGE (HIGH)
- A ACKNOWLEDGE (LOW)
- P STOP CONDITION
- PEC PACKET ERROR CODE
- MASTER TO SLAVE
- SLAVE TO MASTER
- CONTINUATION OF PROTOCOL

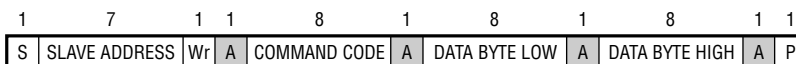
2975 F02

Figure 2. PMBus Packet Protocol Diagram Element Key



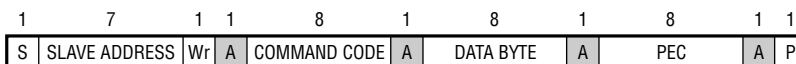
2975 F03

Figure 3. Write Byte Protocol



2975 F04

Figure 4. Write Word Protocol



2975 F05

Figure 5. Write Byte Protocol with PEC

OPERATION

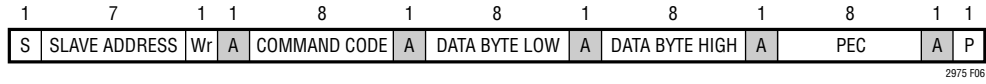


Figure 6. Write Word Protocol with PEC

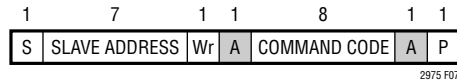


Figure 7. Send Byte Protocol

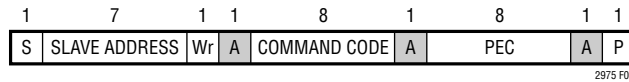


Figure 8. Send Byte Protocol with PEC

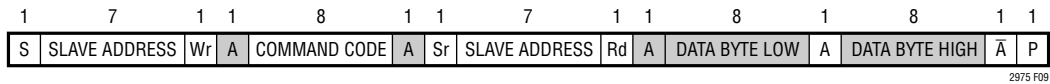


Figure 9. Read Word Protocol

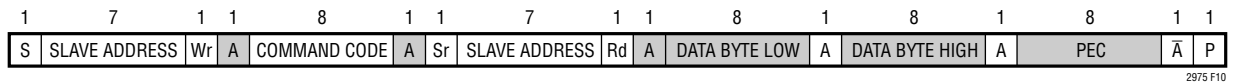


Figure 10. Read Word Protocol with PEC

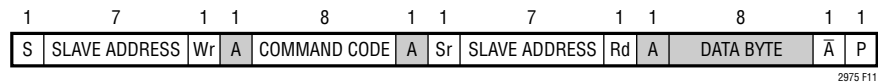


Figure 11. Read Byte Protocol

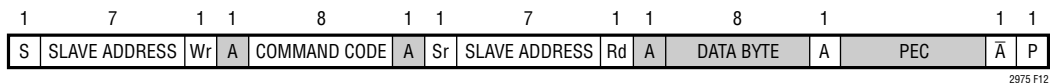


Figure 12. Read Byte Protocol with PEC

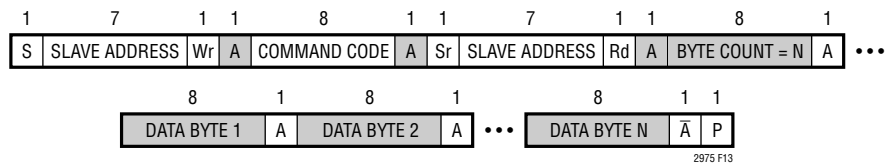


Figure 13. Block Read

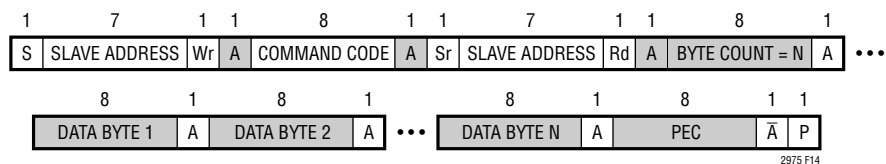


Figure 14. Block Read with PEC

PMBUS COMMAND SUMMARY

Summary Table

| COMMAND NAME | CMD CODE | DESCRIPTION | TYPE | PAGED | DATA FORMAT | UNITS | EEPROM | DEFAULT VALUE: FLOAT HEX | REF PAGE |
|------------------------|----------|----------------------------------------------------------------------------------------------------------------------------------------------------------------------|-----------|-------|-------------|-------|--------|--------------------------|--------------------|
| PAGE | 0x00 | Channel or page currently selected for any command that supports paging. | R/W Byte | N | Reg | | | 0x00 | 29 |
| OPERATION | 0x01 | Operating mode control. On/Off, Margin High and Margin Low. | R/W Byte | Y | Reg | | Y | 0x00 | 34 |
| ON_OFF_CONFIG | 0x02 | CONTROL pin and PMBus on/off command setting. | R/W Byte | Y | Reg | | Y | 0x1E | 35 |
| CLEAR_FAULTS | 0x03 | Clear any fault bits that have been set. | Send Byte | Y | | | | NA | 64 |
| WRITE_PROTECT | 0x10 | Level of protection provided by the device against accidental changes. | R/W Byte | N | Reg | | Y | 0x00 | 30 |
| STORE_USER_ALL | 0x15 | Store entire operating memory to EEPROM. | Send Byte | N | | | | NA | 45 |
| RESTORE_USER_ALL | 0x16 | Restore entire operating memory from EEPROM. | Send Byte | N | | | | NA | 45 |
| CAPABILITY | 0x19 | Summary of PMBus optional communication protocols supported by this device. | R Byte | N | Reg | | | 0xB0 | 83 |
| VOUT_MODE | 0x20 | Output voltage data format and mantissa exponent (2^{-13}). | R Byte | Y | Reg | | | 0x13 | 51 |
| VOUT_COMMAND | 0x21 | Servo target. Nominal DC/DC converter output voltage setpoint. | R/W Word | Y | L16 | V | Y | 1.0 0x2000 | 51 |
| VOUT_MAX | 0x24 | Upper limit on the output voltage the unit can command regardless of any other commands. | R/W Word | Y | L16 | V | Y | 4.0 0x8000 | 51 |
| VOUT_MARGIN_HIGH | 0x25 | Margin high DC/DC converter output voltage setting. | R/W Word | Y | L16 | V | Y | 1.05 0x219A | 51 |
| VOUT_MARGIN_LOW | 0x26 | Margin low DC/DC converter output voltage setting. | R/W Word | Y | L16 | V | Y | 0.95 0x1E66 | 51 |
| VIN_ON | 0x35 | Input voltage above which power conversion can be enabled. | R/W Word | N | L11 | V | Y | 10.0 0xD280 | 47 |
| VIN_OFF | 0x36 | Input voltage below which power conversion is disabled. All V _{OUT_EN} pins go off immediately or sequence off after TOFF_DELAY (See Mfr_config_track_enr). | R/W Word | N | L11 | V | Y | 9.0 0xD240 | 47 |
| IOUT_CAL_GAIN | 0x38 | The nominal resistance of the current sense element in mΩ. | R/W Word | Y | L11 | mΩ | Y | 1.0 0xBA00 | 52 |
| VOUT_OV_FAULT_LIMIT | 0x40 | Output overvoltage fault limit. | R/W Word | Y | L16 | V | Y | 1.1 0x2333 | 51 |
| VOUT_OV_FAULT_RESPONSE | 0x41 | Action to be taken by the device when an output overvoltage fault is detected. | R/W Byte | Y | Reg | | Y | 0x80 | 59 |
| VOUT_OV_WARN_LIMIT | 0x42 | Output overvoltage warning limit. | R/W Word | Y | L16 | V | Y | 1.075 0x2266 | 51 |
| VOUT_UV_WARN_LIMIT | 0x43 | Output undervoltage warning limit. | R/W Word | Y | L16 | V | Y | 0.925 0x1D9A | 51 |
| VOUT_UV_FAULT_LIMIT | 0x44 | Output undervoltage fault limit. Used for Ton_max_fault and power good de-assertion. | R/W Word | Y | L16 | V | Y | 0.9 0x1CCD | 51 |

Note: The data format abbreviations are detailed at the end of this table

PMBUS COMMAND SUMMARY

Summary Table

| COMMAND NAME | CMD CODE | DESCRIPTION | TYPE | PAGED | DATA FORMAT | UNITS | EEPROM | DEFAULT VALUE: FLOAT HEX | REF PAGE |
|------------------------|----------|---------------------------------------------------------------------------------------------------------------------|----------|-------|-------------|-------|--------|--------------------------|--------------------|
| VOUT_UV_FAULT_RESPONSE | 0x45 | Action to be taken by the device when an output undervoltage fault is detected. | R/W Byte | Y | Reg | | Y | 0x7F | 59 |
| IOUT_OC_FAULT_LIMIT | 0x46 | Output overcurrent fault limit. | R/W Word | Y | L11 | A | Y | 10.0 0xD280 | 60 |
| IOUT_OC_FAULT_RESPONSE | 0x47 | Action to be taken by the device when an output overcurrent fault is detected. | R/W Byte | Y | Reg | | Y | 0x00 | 60 |
| IOUT_OC_WARN_LIMIT | 0x4A | Output overcurrent warning limit. | R/W Word | Y | L11 | A | Y | 5.0 0xCA80 | 52 |
| IOUT_UC_FAULT_LIMIT | 0x4B | Output undercurrent fault limit. Used to detect a reverse current and must be a negative value. | R/W Word | Y | L11 | A | Y | -1.0 0xB400 | 52 |
| IOUT_UC_FAULT_RESPONSE | 0x4C | Action to be taken by the device when an output undercurrent fault is detected. | R/W Byte | Y | Reg | | Y | 0x00 | 60 |
| OT_FAULT_LIMIT | 0x4F | Overtemperature fault limit for the external temperature sensor. | R/W Word | Y | L11 | °C | Y | 65.0 0xEA08 | 54 |
| OT_FAULT_RESPONSE | 0x50 | Action to be taken by the device when an overtemperature fault is detected on the external temperature sensor. | R/W Byte | Y | Reg | | Y | 0xB8 | 61 |
| OT_WARN_LIMIT | 0x51 | Overtemperature warning limit for the external temperature sensor | R/W Word | Y | L11 | °C | Y | 60.0 0xE3C0 | 54 |
| UT_WARN_LIMIT | 0x52 | Undertemperature warning limit for the external temperature sensor. | R/W Word | Y | L11 | °C | Y | 0 0x8000 | 54 |
| UT_FAULT_LIMIT | 0x53 | Undertemperature fault limit for the external temperature sensor. | R/W Word | Y | L11 | °C | Y | -5.0 0xCD80 | 54 |
| UT_FAULT_RESPONSE | 0x54 | Action to be taken by the device when an undertemperature fault is detected on the external temperature sensor. | R/W Byte | Y | Reg | | Y | 0xB8 | 61 |
| VIN_OV_FAULT_LIMIT | 0x55 | Input overvoltage fault limit measured at VIN_SNS pin. | R/W Word | N | L11 | V | Y | 15.0 0xD3C0 | 47 |
| VIN_OV_FAULT_RESPONSE | 0x56 | Action to be taken by the device when an input overvoltage fault is detected. | R/W Byte | N | Reg | | Y | 0x80 | 61 |
| VIN_OV_WARN_LIMIT | 0x57 | Input overvoltage warning limit measured at VIN_SNS pin. | R/W Word | N | L11 | V | Y | 14.0 0xD380 | 47 |
| VIN_UV_WARN_LIMIT | 0x58 | Input undervoltage warning limit measured at VIN_SNS pin. | R/W Word | N | L11 | V | Y | 0 0x8000 | 47 |
| VIN_UV_FAULT_LIMIT | 0x59 | Input undervoltage fault limit measured at VIN_SNS pin. | R/W Word | N | L11 | V | Y | 0 0x8000 | 47 |
| VIN_UV_FAULT_RESPONSE | 0x5A | Action to be taken by the device when an input undervoltage fault is detected. | R/W Byte | N | Reg | | Y | 0x00 | 61 |
| POWER_GOOD_ON | 0x5E | Output voltage at or above which a power good should be asserted. | R/W Word | Y | L16 | V | Y | 0.96 0x1EB8 | 51 |
| POWER_GOOD_OFF | 0x5F | Output voltage at or below which a power good should be de-asserted when Mfr_config_all_pwrzd_off_uses_uv is clear. | R/W Word | Y | L16 | V | Y | 0.94 0x1E14 | 51 |
| TON_DELAY | 0x60 | Time from CONTROL pin and/or OPERATION command = ON to VOUT_EN pin = ON. | R/W Word | Y | L11 | mS | Y | 1.0 0xBA00 | 56 |

PMBUS COMMAND SUMMARY

Summary Table

| COMMAND NAME | CMD CODE | DESCRIPTION | TYPE | PAGED | DATA FORMAT | UNITS | EEPROM | DEFAULT VALUE: FLOAT HEX | REF PAGE |
|------------------------|----------|----------------------------------------------------------------------------------------------------------------------------------------------------------------|----------|-------|-------------|-------|--------|--------------------------|--------------------|
| TON_RISE | 0x61 | Time from when the V_{OUT_EN} pin goes high until the LTC2975 optionally soft-connects its DAC and begins to servo the output voltage to the desired value. | R/W Word | Y | L11 | mS | Y | 10.0 0xD280 | 56 |
| TON_MAX_FAULT_LIMIT | 0x62 | Maximum time from V_{OUT_EN} pin on assertion that an UV condition will be tolerated before a TON_MAX_FAULT condition results. | R/W Word | Y | L11 | mS | Y | 15.0 0xD3C0 | 56 |
| TON_MAX_FAULT_RESPONSE | 0x63 | Action to be taken by the device when a TON_MAX_FAULT event is detected. | R/W Byte | Y | Reg | | Y | 0xB8 | 62 |
| TOFF_DELAY | 0x64 | Time from CONTROL pin and/or OPERATION command = OFF to V_{OUT_EN} pin = OFF. | R/W Word | Y | L11 | mS | Y | 1.0 0xBA00 | 56 |
| STATUS_BYTE | 0x78 | One byte summary of the unit's fault condition. | R Byte | Y | Reg | | | NA | 65 |
| STATUS_WORD | 0x79 | Two byte summary of the unit's fault condition. | R Word | Y | Reg | | | NA | 65 |
| STATUS_VOUT | 0x7A | Output voltage fault and warning status. | R Byte | Y | Reg | | | NA | 66 |
| STATUS_IOUT | 0x7B | Output current fault and warning status. | R Byte | Y | Reg | | | NA | 66 |
| STATUS_INPUT | 0x7C | Input supply fault and warning status. | R Byte | N | Reg | | | NA | 66 |
| STATUS_TEMPERATURE | 0x7D | External temperature fault and warning status for READ_TEMPERATURE_1. | R Byte | Y | Reg | | | NA | 67 |
| STATUS_CML | 0x7E | Communication and memory fault and warning status. | R Byte | N | Reg | | | NA | 67 |
| STATUS_MFR_SPECIFIC | 0x80 | Manufacturer specific fault and state information. | R Byte | Y | Reg | | | NA | 68 |
| READ_VIN | 0x88 | Input supply voltage. | R Word | N | L11 | V | | NA | 70 |
| READ_IIN | 0x89 | DC/DC converter input current. | R Word | Y | L11 | A | | NA | 70 |
| READ_VOUT | 0x8B | DC/DC converter output voltage. | R Word | Y | L16 | V | | NA | 70 |
| READ_IOUT | 0x8C | DC/DC converter output current. | R Word | Y | L11 | A | | NA | 71 |
| READ_TEMPERATURE_1 | 0x8D | External diode junction temperature. This is the value used for all temperature related processing, including IOUT_CAL_GAIN. | R Word | Y | L11 | °C | | NA | 71 |
| READ_TEMPERATURE_2 | 0x8E | Internal junction temperature. | R Word | N | L11 | °C | | NA | 71 |
| READ_POUT | 0x96 | DC/DC converter output power. | R Word | Y | L11 | W | | NA | 71 |
| READ_PIN | 0x97 | DC/DC converter input power. | R Word | Y | L11 | W | | NA | 70 |
| PMBUS_REVISION | 0x98 | PMBus revision supported by this device. Current revision is 1.1. | R Byte | N | Reg | | | 0x11 | 83 |
| USER_DATA_00 | 0xB0 | Manufacturer reserved for LTpowerPlay. | R/W Word | N | Reg | | Y | NA | 83 |
| USER_DATA_01 | 0xB1 | Manufacturer reserved for LTpowerPlay. | R/W Word | Y | Reg | | Y | NA | 83 |
| USER_DATA_02 | 0xB2 | OEM Reserved. | R/W Word | N | Reg | | Y | NA | 83 |
| USER_DATA_03 | 0xB3 | Scratchpad location. | R/W Word | Y | Reg | | Y | 0x0000 | 83 |
| USER_DATA_04 | 0xB4 | Scratchpad location. | R/W Word | N | Reg | | Y | 0x0000 | 83 |
| MFR_LTC_RESERVED_1 | 0xB5 | Manufacturer reserved. | R/W Word | Y | Reg | | Y | NA | 83 |

PMBUS COMMAND SUMMARY

Summary Table

| COMMAND NAME | CMD CODE | DESCRIPTION | TYPE | PAGED | DATA FORMAT | UNITS | EEPROM | DEFAULT VALUE: FLOAT HEX | REF PAGE |
|---------------------------|----------|---------------------------------------------------------------------------------------------------------------------------------------|----------|-------|-------------|-------|--------|--------------------------|--------------------|
| MFR_T_SELF_HEAT | 0xB8 | Calculated temperature rise due to self-heating of output current sense device above value measured by external temperature sensor. | R Word | Y | L11 | °C | | NA | 54 |
| MFR_IOUT_CAL_GAIN_TAU_INV | 0xB9 | Inverse of time constant for Mfr_t_self_heat changes scaled by $4 \cdot t_{CONV_SENSE}$. | R/W Word | Y | L11 | | Y | 0.0 0x8000 | 54 |
| MFR_IOUT_CAL_GAIN_THETA | 0xBA | Thermal resistance from inductor core to point measured by external temperature sensor. | R/W Word | Y | L11 | °C/W | Y | 0.0 0x8000 | 54 |
| MFR_READ_IOUT | 0xBB | Alternate data format for READ_IOUT. One LSB = 2.5mA. | R Word | Y | CF | 2.5mA | | NA | 72 |
| MFR_LTC_RESERVED_2 | 0xBC | Manufacturer reserved. | R/W Word | Y | Reg | | | NA | 83 |
| MFR_EE_UNLOCK | 0xBD | Unlock user EEPROM for access by MFR_EE_ERASE and MFR_EE_DATA commands. | R/W Byte | N | Reg | | | NA | 46 |
| MFR_EE_ERASE | 0xBE | Initialize user EEPROM for bulk programming by MFR_EE_DATA. | R/W Byte | N | Reg | | | NA | 46 |
| MFR_EE_DATA | 0xBF | Data transferred to and from EEPROM using sequential PMBus word reads or writes. Supports bulk programming. | R/W Word | N | Reg | | | NA | 46 |
| MFR_EIN | 0xC0 | Input Energy data bytes. | R Block | N | Reg | | | NA | 48 |
| MFR_EIN_CONFIG | 0xC1 | Configuration register for energy and input current. | R/W Byte | N | Reg | | Y | 0x00 | 49 |
| MFR_SPECIAL_LOT | 0xC2 | Customer dependent codes that identify the factory programmed user configuration stored in EEPROM. Contact factory for default value. | R Byte | Y | Reg | | Y | NA | 83 |
| MFR_IIN_CAL_GAIN_TC | 0xC3 | Temperature coefficient applied to IIN_CAL_GAIN. | R/W Word | N | CF | ppm | Y | 0x0000 | 50 |
| MFR_IIN_PEAK | 0xC4 | Maximum measured value of READ_IIN. | R Word | Y | L11 | A | | NA | 71 |
| MFR_IIN_MIN | 0xC5 | Minimum measured value of READ_IIN. | R Word | Y | L11 | A | | NA | 71 |
| MFR_PIN_PEAK | 0xC6 | Maximum measured value of READ_PIN. | R Word | Y | L11 | W | | NA | 71 |
| MFR_PIN_MIN | 0xC7 | Minimum measured value of READ_PIN. | R Word | Y | L11 | W | | NA | 71 |
| MFR_COMMAND_PLUS | 0xC8 | Alternate access to block read and other data. Commands for all additional hosts. | R/W Word | N | Reg | | | | 31 |
| MFR_DATA_PLUS0 | 0xC9 | Alternate access to block read and other data. Data for additional host 0. | R/W Word | N | Reg | | | | 31 |
| MFR_DATA_PLUS1 | 0xCA | Alternate access to block read and other data. Data for additional host 1. | R/W Word | N | Reg | | | | 31 |
| MFR_CONFIG_LTC2975 | 0xD0 | Configuration bits that are channel specific. | R/W Word | Y | Reg | | Y | 0x0080 | 36 |
| MFR_CONFIG_ALL_LTC2975 | 0xD1 | Configuration bits that are common to all pages. | R/W Word | N | Reg | | Y | 0x0F7B | 43 |
| MFR_FAULTB0_PROPAGATE | 0xD2 | Configuration that determines if a channel's faulted off state is propagated to the FAULTB0 pin. | R/W Byte | Y | Reg | | Y | 0x00 | 63 |
| MFR_FAULTB1_PROPAGATE | 0xD3 | Configuration that determines if a channel's faulted off state is propagated to the FAULTB1 pin. | R/W Byte | Y | Reg | | Y | 0x00 | 63 |

PMBUS COMMAND SUMMARY

Summary Table

| COMMAND NAME | CMD CODE | DESCRIPTION | TYPE | PAGED | DATA FORMAT | UNITS | EEPROM | DEFAULT VALUE: FLOAT HEX | REF PAGE |
|-------------------------------|----------|---------------------------------------------------------------------------------------------------------|-----------|-------|-------------|-------|--------|--------------------------|--------------------|
| MFR_PWRGD_EN | 0xD4 | Configuration that maps WDI/RESETB status and individual channel power good to the PWRGD pin. | R/W Word | N | Reg | | Y | 0x0000 | 57 |
| MFR_FAULTB0_RESPONSE | 0xD5 | Action to be taken by the device when the FAULTB0 pin is asserted low. | R/W Byte | N | Reg | | Y | 0x00 | 63 |
| MFR_FAULTB1_RESPONSE | 0xD6 | Action to be taken by the device when the FAULTB1 pin is asserted low. | R/W Byte | N | Reg | | Y | 0x00 | 63 |
| MFR_IOUT_PEAK | 0xD7 | Maximum measured value of READ_IOUT. | R Word | Y | L11 | A | | NA | 73 |
| MFR_IOUT_MIN | 0xD8 | Minimum measured value of READ_IOUT. | R Word | Y | L11 | A | | NA | 73 |
| MFR_CONFIG2_LTC2975 | 0xD9 | Configuration bits that are channel specific | R/W Byte | N | Reg | | Y | 0x00 | 38 |
| MFR_CONFIG3_LTC2975 | 0xDA | Configuration bits that are channel specific | R/W Byte | N | Reg | | Y | 0x00 | 39 |
| MFR_RETRY_DELAY | 0xDB | Retry interval during FAULT retry mode. | R/W Word | N | L11 | mS | Y | 200 0xF320 | 62 |
| MFR_RESTART_DELAY | 0xDC | Delay from actual CONTROL active edge to virtual CONTROL active edge. | R/W Word | N | L11 | mS | Y | 400 0xFB20 | 57 |
| MFR_VOUT_PEAK | 0xDD | Maximum measured value of READ_VOUT. | R Word | Y | L16 | V | | NA | 73 |
| MFR_VIN_PEAK | 0xDE | Maximum measured value of READ_VIN. | R Word | N | L11 | V | | NA | 73 |
| MFR_TEMPERATURE_1_PEAK | 0xDF | Maximum measured value of READ_TEMPERATURE_1. | R Word | Y | L11 | °C | | NA | 73 |
| MFR_DAC | 0xE0 | Manufacturer register that contains the code of the 10-bit DAC. | R/W Word | Y | Reg | | | 0x0000 | 51 |
| MFR_POWERGOOD_ASSERTION_DELAY | 0xE1 | Power-good output assertion delay. | R/W Word | N | L11 | mS | Y | 100 0xEB20 | 58 |
| MFR_WATCHDOG_T_FIRST | 0xE2 | First watchdog timer interval. | R/W Word | N | L11 | mS | Y | 0 0x8000 | 58 |
| MFR_WATCHDOG_T | 0xE3 | Watchdog timer interval. | R/W Word | N | L11 | mS | Y | 0 0x8000 | 58 |
| MFR_PAGE_FF_MASK | 0xE4 | Configuration defining which channels respond to global page commands (PAGE=0xFF). | R/W Byte | N | Reg | | Y | 0x0F | 30 |
| MFR_PADS | 0xE5 | Current state of selected digital I/O pads. | R/W Word | N | Reg | | | NA | 68 |
| MFR_I2C_BASE_ADDRESS | 0xE6 | Base value of the I ² C/SMBus address byte. | R/W Byte | N | Reg | | Y | 0x5C | 31 |
| MFR_SPECIAL_ID | 0xE7 | Manufacturer code for identifying the LTC2975. | R Word | N | Reg | | Y | 547 0x0223 | 83 |
| MFR_IIN_CAL_GAIN | 0xE8 | The nominal resistance of the input current sense element in mΩ. | R/W Word | N | L11 | mΩ | Y | 1.0 0xBA00 | 49 |
| MFR_VOUT_DISCHARGE_THRESHOLD | 0xE9 | Coefficient used to multiply VOUT_COMMAND in order to determine V _{OUT} off threshold voltage. | R/W Word | Y | L11 | | Y | 2.0 0xC200 | 51 |
| MFR_FAULT_LOG_STORE | 0xEA | Command a transfer of the fault log from RAM to EEPROM. | Send Byte | N | | | | NA | 74 |
| MFR_FAULT_LOG_RESTORE | 0xEB | Command a transfer of the fault log previously stored in EEPROM back to RAM. | Send Byte | N | | | | NA | 74 |
| MFR_FAULT_LOG_CLEAR | 0xEC | Initialize the EEPROM block reserved for fault logging and clear any previous fault logging locks. | Send Byte | N | | | | NA | 75 |

PMBUS COMMAND SUMMARY

Summary Table

| COMMAND NAME | CMD CODE | DESCRIPTION | TYPE | PAGED | DATA FORMAT | UNITS | EEPROM | DEFAULT VALUE: FLOAT HEX | REF PAGE |
|------------------------|----------|--------------------------------------------------------------------------------------------------|----------|-------|-------------|-------------------|--------|--------------------------|--------------------|
| MFR_FAULT_LOG_STATUS | 0xED | Fault logging status. | R Byte | N | Reg | | Y | NA | 75 |
| MFR_FAULT_LOG | 0xEE | Fault log data bytes. This sequentially retrieved data is used to assemble a complete fault log. | R Block | N | Reg | | Y | NA | 75 |
| MFR_COMMON | 0xEF | Manufacturer status bits that are common across multiple LTC chips. | R Byte | N | Reg | | | NA | 69 |
| MFR_IOUT_CAL_GAIN_TC | 0xF6 | Temperature coefficient applied to IOUT_CAL_GAIN. | R/W Word | Y | CF | ppm | Y | 0x0000 | 53 |
| MFR_RETRY_COUNT | 0xF7 | Retry count for all faulted off conditions that enable retry. | R/W Byte | N | Reg | | Y | 0x07 | 62 |
| MFR_TEMP_1_GAIN | 0xF8 | Inverse of external diode temperature non ideality factor. One LSB = 2^{-14} . | R/W Word | Y | CF | | Y | 1 0x4000 | 54 |
| MFR_TEMP_1_OFFSET | 0xF9 | Offset value for the external temperature. | R/W Word | Y | L11 | °C | Y | 0 0x8000 | 54 |
| MFR_IOUT_SENSE_VOLTAGE | 0xFA | Absolute value of $V_{ISENSEP} - V_{ISENSEM}$. One LSB = $3.05\mu\text{V}$. | R Word | Y | CF | $3.05\mu\text{V}$ | | NA | 73 |
| MFR_VOUT_MIN | 0xFB | Minimum measured value of READ_VOUT. | R Word | Y | L16 | V | | NA | 73 |
| MFR_VIN_MIN | 0xFC | Minimum measured value of READ_VIN. | R Word | N | L11 | V | | NA | 73 |
| MFR_TEMPERATURE_1_MIN | 0xFD | Minimum measured value of READ_TEMPERATURE_1. | R Word | Y | L11 | °C | | NA | 74 |

Data Formats

| | | |
|-----|---------------|--------------------------------------------------------------------------------------------------------------------------------------------------------------------------------------------------------------------------------------------------------------------------------------------------------------------------------------------------------------------------------------------------------------------------------------------------------------------------------------------------------------------------|
| L11 | Linear_5s_11s | <p>PMBus data field b[15:0] Value = $Y \cdot 2^N$ where $N = b[15:11]$ is a 5-bit two's complement integer and $Y = b[10:0]$ is an 11-bit two's complement integer Example: READ_VIN = 10V For b[15:0] = 0xD280 = 1101_0010_1000_0000b Value = $640 \cdot 2^{-6} = 10$ See PMBus Spec Part II: Paragraph 7.1</p> |
| L16 | Linear_16u | <p>PMBus data field b[15:0] Value = $Y \cdot 2^N$ where $Y = b[15:0]$ is an unsigned integer and $N = \text{Vout_mode_parameter}$ is a 5-bit two's complement exponent that is hardwired to -13 decimal. Example: VOUT_COMMAND = 4.75V For b[15:0] = 0x9800 = 1001_1000_0000_0000b Value = $38912 \cdot 2^{-13} = 4.75$ See PMBus Spec Part II: Paragraph 8.3.1</p> |
| Reg | Register | <p>PMBus data field b[15:0] or b[7:0]. Bit field meaning is defined in detailed PMBus Command Register Description.</p> |
| CF | Custom Format | <p>PMBus data field b[15:0] Value is defined in detailed PMBus Command Register Description. This is often an unsigned or two's complement integer scaled by an MFR specific constant.</p> |

PMBUS COMMAND DESCRIPTION

ADDRESSING AND WRITE PROTECT

| COMMAND NAME | CMD CODE | DESCRIPTION | TYPE | PAGED | FORMAT | UNITS | EEPROM | DEFAULT VALUE | REF PAGE |
|----------------------|----------|------------------------------------------------------------------------------------|----------|-------|--------|-------|--------|---------------|--------------------|
| PAGE | 0x00 | Channel or page currently selected for any command that supports paging. | R/W Byte | N | Reg | | | 0x00 | 29 |
| WRITE_PROTECT | 0x10 | Level of protection provided by the device against accidental changes. | R/W Byte | N | Reg | | Y | 0x00 | 30 |
| MFR_I2C_BASE_ADDRESS | 0xE6 | Base value of the I ² C/SMBus address byte. | R/W Byte | N | Reg | | Y | 0x5C | 31 |
| MFR_PAGE_FF_MASK | 0xE4 | Configuration defining which channels respond to global page commands (PAGE=0xFF). | R/W Byte | N | Reg | | Y | 0x0F | 30 |
| MFR_COMMAND_PLUS | 0xC8 | Alternate access to block read and other data. Commands for all additional hosts. | R/W Word | N | Reg | | | | 31 |
| MFR_DATA_PLUS0 | 0xC9 | Alternate access to block read and other data. Data for additional host 0. | R/W Word | N | Reg | | | | 31 |
| MFR_DATA_PLUS1 | 0xCA | Alternate access to block read and other data. Data for additional host 1. | R/W Word | N | Reg | | | | 31 |

PAGE

The LTC2975 has four pages that correspond to the four DC/DC converter channels that can be managed. Each DC/DC converter channel can be uniquely programmed by first setting the appropriate page.

Setting PAGE = 0xFF allows a simultaneous write to all pages for PMBus commands that support global page programming. The only commands that support PAGE = 0xFF are CLEAR_FAULTS, OPERATION and ON_OFF_CONFIG. See MFR_PAGE_FF_MASK for additional options. Reading any paged PMBus register with PAGE = 0xFF returns unpredictable data and will trigger a CML fault. Writes to pages that do not support PAGE = 0xFF with PAGE = 0xFF will be ignored and generate a CML fault.

PAGE Data Contents

| BIT(S) | SYMBOL | OPERATION |
|--------|--------|--------------------------------------------------------------------------------------------------------------------------------------------------------------------------------------------------------------------------------------------------------------------------------------------------------------------------------------------------------------------------------------------------------------------------------|
| b[7:0] | Page | Page operation. 0x00: All PMBus commands address channel/page 0. 0x01: All PMBus commands address channel/page 1. 0x02: All PMBus commands address channel/page 2. 0x03: All PMBus commands address channel/page 3. 0xFF: All non specified values reserved. 0xFF: A single PMBus write/send to commands that support this mode will simultaneously address all channel/pages with MFR_PAGE_FF_MASK enabled. |

PMBUS COMMAND DESCRIPTION

WRITE_PROTECT

The WRITE_PROTECT command provides protection against accidental programming of the LTC2975 command registers. All supported commands may have their parameters read, regardless of the WRITE_PROTECT setting, and the EEPROM contents can also be read regardless of the WRITE_PROTECT settings.

There are two levels of protection:

- Level 1: Nothing can be changed except the level of write protection itself. Values can be read from all pages. This setting can be stored to EEPROM.
- Level 2: Nothing can be changed except for the level of protection, channel on/off state, and clearing of faults. Values can be read from all pages. This setting can be stored to EEPROM.

WRITE_PROTECT Data Contents

| BIT(S) | SYMBOL | OPERATION |
|--------|--------------------|-------------------------------------------------------------------------------------------------------------------------------------------------------------------------------------------------------------------------------------------------------------------------------------------------------------------------------------------------------------------------------------------------------------|
| b[7:0] | Write_protect[7:0] | 1000_0000b: Level 1 Protection - Disable all writes except to the WRITE_PROTECT, PAGE, MFR_EE_UNLOCK, and STORE_USER_ALL commands. 0100_0000b: Level 2 Protection – Disable all writes except to the WRITE_PROTECT, PAGE, MFR_EE_UNLOCK, STORE_USER_ALL, OPERATION, MFR_PAGE_FF_MASK and CLEAR_FAULTS commands. 0000_0000b: Enable writes to all commands. xxxx_xxxx b: All other values reserved. |

WRITE-PROTECT Pin

The WP pin allows the user to write-protect the LTC2975's configuration registers. The WP pin is active high, and when asserted it provides Level 2 protection: all writes are disabled except to the WRITE_PROTECT, PAGE, MFR_EE_UNLOCK, STORE_USER_ALL, OPERATION, MFR_PAGE_FF_MASK and CLEAR_FAULTS commands. The most restrictive setting between the WP pin and WRITE_PROTECT command will override. For example if WP = 1 and WRITE_PROTECT = 0x80, then the WRITE_PROTECT command overrides, since it is the most restrictive.

MFR_PAGE_FF_MASK

The MFR_PAGE_FF_MASK command is used to select which channels respond when the global page command (PAGE = 0xFF) is in use.

MFR_PAGE_FF_MASK Data Contents

| BIT(S) | SYMBOL | OPERATION |
|--------|------------------------|---------------------------------------------------------------------------------------------------------------------------------------------------------------|
| b[7:4] | Reserved | Always returns 0000b |
| b[3] | Mfr_page_ff_mask_chan3 | Channel 3 masking of global page command (PAGE=0xFF) accesses 0 = ignore global page command accesses 1 = fully respond to global page command accesses |
| b[2] | Mfr_page_ff_mask_chan2 | Channel 2 masking of global page command (PAGE=0xFF) accesses 0 = ignore global page command accesses 1 = fully respond to global page command accesses |
| b[1] | Mfr_page_ff_mask_chan1 | Channel 1 masking of global page command (PAGE=0xFF) accesses 0 = ignore global page command accesses 1 = fully respond to global page command accesses |

PMBUS COMMAND DESCRIPTION

MFR_PAGE_FF_MASK Data Contents

| BIT(S) | SYMBOL | OPERATION |
|--------|------------------------|-----------------------------------------------------------------------------------------------------------------------------------------------------------------|
| b[0] | Mfr_page_ff_mask_chan0 | Channel 0 masking of global page command (PAGE = 0xFF) accesses 0 = ignore global page command accesses 1 = fully respond to global page command accesses |

MFR_I2C_BASE_ADDRESS

The MFR_I2C_BASE_ADDRESS command determines the base value for the I²C/SMBus address byte. Offsets of 0 to 8 are added to this base address to generate the device I²C/SMBus address. The part responds to the device address. For example, with the factory default MFR_I2C_BASE_ADDRESS of 5C, with both ASEL1 and ASEL0 High (Offset N=2), the device address would be 0x5C+2 = 0x5E.

MFR_I2C_BASE_ADDRESS Data Contents

| BIT(S) | SYMBOL | OPERATION |
|--------|------------------|--------------------------------------------------------------------------------------------------------------------------------------|
| b[7] | Reserved | Read only, always returns 0. |
| b[6:0] | I2C_base_address | This 7-bit value determines the base value of the 7-bit I ² C/SMBus address. See Device Address in the Operation section. |

MFR_COMMAND_PLUS

MFR_DATA_PLUS0 and MFR_DATA_PLUS1

MFR_STATUS_PLUS0, and MFR_STATUS_PLUS1

Similar to the PAGE register, these registers allow the user to indirectly address memory. These registers are useful to advanced users for reading or writing memory as described below.

Command Plus operations use a sequence of word commands to support the following:

- An alternate method for reading block data using sequential standard word reads.
- A peek operation that allows up to two additional hosts to read an internal register using PMBus word protocol where each host has a unique page.
- A poke operation that allows up to two additional hosts to write an internal register using PMBus word protocol where each host has a unique page.
- Peek, Poke and Command Plus block reads do not interfere with normal PMBus accesses or page values set by PAGE. This enables multi master support for up to 3 hosts.

MFR_COMMAND_PLUS Data Contents

| BIT(S) | SYMBOL | OPERATION |
|--------|---------------------------|----------------------------------------------------------------------------------------------------------------------------------------------------------------------------------------------------------------|
| b[15] | Mfr_command_plus_reserved | Reserved. Always returns 0. |
| b[14] | Mfr_command_plus_id | Command plus host ID 0: Mfr_command_plus pointer and page are cached and used for all Mfr_data_plus0 accesses. 1: Mfr_command_plus pointer and page are cached and used for all Mfr_data_plus1 accesses. |

PMBUS COMMAND DESCRIPTION

MFR_COMMAND_PLUS Data Contents

| | | |
|---------|--------------------------|-----------------------------------------------------------------------------------------------------------------------------------------------------------------------------------------------------------------------------------------------------------------------------------------------------------------------------------------------------------------------------------------------------------------------------------------------------------|
| b[13:9] | Mfr_command_plus_page | Page to be used when peeking or poking via Mfr_data_plus0 or Mfr_data_plus1. Allowed values are 0 through 3. This page value is cached separately for Mfr_data_plus0 and Mfr_data_plus1 based on the value of Mfr_command_plus_id when this register is written. |
| b[8:0] | Mfr_command_plus_pointer | Internal memory location accessed by Mfr_data_plus0 or Mfr_data_plus1. Mfr_data_plus0 and Mfr_data_plus1 pointers are cached separately. Legal values are listed in the CMD Code column of the PMBus COMMAND SUMMARY table. All other values are reserved, except for the special poke enable/disable values listed in the Enabling And Disabling Poke Operations section, and the command values listed below for Mfr_status_plus0 and Mfr_status_plus1. |

MFR_DATA_PLUS0 and MFR_DATA_PLUS1 Data Contents

| BIT(S) | SYMBOL | OPERATION |
|---------|----------------------------------|-----------------------------------------------------------------------------------------------------------------------------------------------------------------------------------------------------------------------------------------------------------------------------------------------------------------------------------------------------------------------------------------------------------------------------------------------------------------------------------------------------------------------------------------------------------------------------------------------------------------------------------------------------------|
| b[15:0] | Mfr_data_plus0 Mfr_data_plus1 | A read from this register returns data referenced by the last matching Mfr_command_plus write. More specifically, writes to Mfr_command_plus by host 0 update Mfr_data_plus0, and writes to Mfr_command_plus by host1 update Mfr_data_plus1. Multiple sequential reads while pointer = Mfr_fault_Log return the complete contents of the block read buffer. Block reads beyond the end of buffer return zeros. A write to this register will transfer the data to the location referenced by the last matching Mfr_command_plus_pointer when the Poke operation protocol described in the Poke Operation Using Mfr_data_plus0 section is followed. |

MFR_STATUS_PLUS0 and MFR_STATUS_PLUS1 Data Contents

| BIT(S) | SYMBOL | OPERATION |
|--------|--------------------------------------------------------------------------|---------------------------------------------------------------------------------------------------------------------------------------------------------------------------------------------------------------------------------------------------------------------------------------------------------------|
| b[7:2] | Reserved | |
| b[1] | Mfr_status_plus_block_peek_failed0 Mfr_status_plus_block_peek_failed1 | Status of most recent block peek for matching host. 0: Last block peek was not aborted. 1: Last block peek was aborted due to an intervening fault log EEPROM write, MFR_FAULT_LOG_STORE command, or standard PMBus block read of MFR_FAULT_LOG. The intervening operation is always completed cleanly. |
| b[0] | Mfr_status_plus_poke_failed0 Mfr_status_plus_poke_failed1 | Status of most recent poke for matching host. 0: Last poke operation did not fail. 1: Last poke operation failed because pokes were not enabled as described in Enabling and Disabling Poke Operations section. |

MFR_STATUS_PLUS0 is at command location 0x2C, and MFR_STATUS_PLUS1 is at command location 0x2D. These correspond to reserved PMBus command locations. These two status registers can only be read via Command Plus peeks.

Reading Fault Log Using Command Plus and Mfr_data_plus0

Write Mfr_command_plus_pointer = 0xEE with Mfr_command_plus_page = 0 and Mfr_command_plus_id = 0.

Read data from Mfr_data_plus0; each read returns the next data word of the MFR_FAULT_LOG command:

- The first word read is Byte_count[15:0] = 0x00FF.
- The next set of words read is the Preamble with 2 bytes packed into a word. Refer to the Fault Log section for details.
- The next set of words read is the Cyclical Loop Data with 2 bytes per word. Refer to the Fault Log section for details.
- Extra reads return zero.
- Interleaved PMBus word and byte commands do not interfere with an ongoing Command Plus block read.
- Interleaved PMBus block reads of MFR_FAULT_LOG will interrupt this command.

PMBUS COMMAND DESCRIPTION

Check status to be sure the data just read was all valid:

- Write `Mfr_command_plus_pointer = 0x2C` with `Mfr_command_plus_page = 0` and `Mfr_command_plus_id = 0`.
- Read data from `Mfr_data_plus0` and confirm that `Mfr_status_plus_block_peek_failed0 = 0`.

Reading Energy Using MFR_COMMAND_PLUS and MFR_DATA_PLUS0

Write `Mfr_command_plus_pointer = 0xC0` with `Mfr_command_plus_page = 0` and `Mfr_command_plus_id = 0`.

Read data from `Mfr_data_plus_0`; each read returns the next data word of the MFR_EIN command:

- `Byte_count[15:0] = 0x000C`
- `Energy_value[15:0]`
- `Energy_value[31:16]`
- `Energy_value[47:32]`
- `Energy_time[15:0]`
- `Energy_time[31:16]`
- `Energy_time[47:32]`

Peek Operation Using Mfr_data_plus0

Internal words and bytes may be read using Command Plus:

Write `Mfr_command_plus_pointer = CMD_CODE` with `Mfr_command_plus_page = page` and `Mfr_command_plus_id = 0`.

The `CMD_CODE`'s are listed in the PMBus COMMAND SUMMARY table.

Read data from `Mfr_data_plus0`. Data is always read using a word read. Byte data is returned with upper byte set to 0.

Enabling and Disabling Poke Operations

Poke operations to `Mfr_data_plus0` are enabled by writing `Mfr_command_plus = 0x0BF6`.

Poke operations to `Mfr_data_plus0` are disabled by writing `Mfr_command_plus = 0x01F6`.

Poke operations to `Mfr_data_plus1` are enabled by writing `Mfr_command_plus = 0x4BF6`.

Poke operations to `Mfr_data_plus1` are disabled by writing `Mfr_command_plus = 0x41F6`.

Poke Operation Using Mfr_data_plus0

Internal words and bytes may be written using Command Plus:

Enable poke access for `Mfr_data_plus0`. This need only be done once after a power-up or WDI reset.

Write `Mfr_command_plus_pointer = CMD_CODE` with `Mfr_command_plus_page = page` and `Mfr_command_plus_id = 0`.

The `CMD_CODE`s are listed in the PMBus COMMAND SUMMARY table.

Write the new data value to `MFR_DATA_PLUS0`

PMBUS COMMAND DESCRIPTION

Optionally check status to be sure data was written as desired:

- Write `Mfr_command_plus_pointer = 0x2C` with `Mfr_command_plus_page = 0` and `Mfr_command_plus_id = 0`.
- Read data from `Mfr_data_plus0` and confirm that `Mfr_status_plus_poke_failed0 = 0`.

Command Plus Operations Using `Mfr_data_plus1`

All the previous operations may be accessed via `Mfr_data_plus1` by substituting `Mfr_command_plus_id` value with a 1. Poke operations must be enabled for `Mfr_data_plus1`.

ON/OFF CONTROL, MARGINING AND CONFIGURATION

| COMMAND NAME | CMD CODE | DESCRIPTION | TYPE | PAGED | FORMAT | UNITS | EEPROM | DEFAULT VALUE | REF PAGE |
|------------------------|----------|-------------------------------------------------------------|----------|-------|--------|-------|--------|---------------|--------------------|
| OPERATION | 0x01 | Operating mode control. On/Off, Margin High and Margin Low. | R/W Byte | Y | Reg | | Y | 0x00 | 34 |
| ON_OFF_CONFIG | 0x02 | CONTROL pin and PMBus on/off command setting. | R/W Byte | Y | Reg | | Y | 0x1E | 35 |
| MFR_CONFIG_LTC2975 | 0xD0 | Configuration bits that are channel specific. | R/W Word | Y | Reg | | Y | 0x0080 | 36 |
| MFR_CONFIG2_LTC2975 | 0xD9 | Configuration bits that are channel specific | R/W Byte | N | Reg | | Y | 0x00 | 38 |
| MFR_CONFIG3_LTC2975 | 0xDA | Configuration bits that are channel specific | R/W Byte | N | Reg | | Y | 0x00 | 39 |
| MFR_CONFIG_ALL_LTC2975 | 0xD1 | Configuration bits that are common to all pages. | R/W Word | N | Reg | | Y | 0x0F7B | 43 |

OPERATION

The OPERATION command is used to turn the unit on and off in conjunction with the CONTROL pin and ON_OFF_CONFIG. This command register responds to the global page command (PAGE = 0xFF). The contents and functions of the data byte are shown in the following tables. A minimum t_{OFF_MIN} wait time must be observed between any OPERATION commands used to turn the unit off and then back on to give the ADC telemetry loop time to complete a full cycle.

OPERATION Data Contents (On_off_config_use_pmbus = 1)

| SYMBOL | Action | Operation_control[1:0] | Operation_margin[1:0] | Operation_fault[1:0] | Reserved (read only) |
|----------|------------------------------------------------------------|------------------------|----------------------------|----------------------|----------------------|
| BITS | | b[7:6] | b[5:4] | b[3:2] | b[1:0] |
| FUNCTION | Turn off immediately | 00 | XX | XX | 00 |
| | Sequence on | 10 | 00 | XX | 00 |
| | Margin low (ignore faults and warnings) | 10 | 01 | 01 | 00 |
| | Margin low | 10 | 01 | 10 | 00 |
| | Margin high (ignore faults and warnings) | 10 | 10 | 01 | 00 |
| | Margin high | 10 | 10 | 10 | 00 |
| | Sequence off with margin to nominal | 01 | 00 | XX | 00 |
| | Sequence off with margin low (ignore faults and warnings) | 01 | 01 | 01 | 00 |
| | Sequence off with margin low | 01 | 01 | 10 | 00 |
| | Sequence off with margin high (ignore faults and warnings) | 01 | 10 | 01 | 00 |
| | Sequence off with margin high | 01 | 10 | 10 | 00 |
| | Reserved | | All remaining combinations | | |

PMBUS COMMAND DESCRIPTION

OPERATION Data Contents (On_off_config_use_pmbus = 0) On or Off

| SYMBOL | Action | Operation_control[1:0] | Operation_margin[1:0] | Operation_fault[1:0] | Reserved (read only) |
|----------|------------------------------------------|----------------------------|-----------------------|----------------------|----------------------|
| BITS | | b[7:6] | b[5:4] | b[3:2] | b[1:0] |
| FUNCTION | Output at nominal | 00, 01 or 10 | 00 | XX | 00 |
| | Margin low (ignore faults and warnings) | 00, 01 or 10 | 01 | 01 | 00 |
| | Margin low | 00, 01 or 10 | 01 | 10 | 00 |
| | Margin high (ignore faults and warnings) | 00, 01 or 10 | 10 | 01 | 00 |
| | Margin high | 00, 01 or 10 | 10 | 10 | 00 |
| | Reserved | All remaining combinations | | | |

ON_OFF_CONFIG

The ON_OFF_CONFIG command configures the combination of CONTROL pin input and PMBus commands needed to turn the LTC2975 on/off, including the power-on behavior, as shown in the following table. This command register responds to the global page command (PAGE = 0xFF). After the part has initialized, an additional comparator monitors VIN_SNS. The VIN_ON threshold must be exceeded before the output power sequencing can begin. After V_{IN} is initially applied, the part will typically require t_{INIT} to initialize and begin the TON_DELAY timer. The readback of voltages and currents may require an additional wait for t_{UPDATE_ADC} . A minimum t_{OFF_MIN} wait time must be observed for any CONTROL pin used toggle to turn the unit off and then back on..

ON_OFF_CONFIG Data Contents

| BIT(S) | SYMBOL | OPERATION |
|--------|--------------------------------|--------------------------------------------------------------------------------------------------------------------------------------------------------------------------------------------------------------------------------------------------------------------------------------------------------------------------------------------------------------------------------------------|
| b[7:5] | Reserved | Don't care. Always returns 0. |
| b[4] | On_off_config_controlled_on | Control default autonomous power up operation. 0: Unit powers up regardless of the CONTROL pin or OPERATION value. Unit always powers up with sequencing. To turn unit on without sequencing, set TON_DELAY = 0. 1: Unit does not power up unless commanded by the CONTROL pin and/or the OPERATION command on the serial bus. If On_off_config[3:2] = 00, the unit never powers up. |
| b[3] | On_off_config_use_pmbus | Controls how the unit responds to commands received via the serial bus. 0: Unit ignores the Operation_control[1:0]. 1: Unit responds to Operation_control[1:0]. Depending on On_off_config_use_control, the unit may also require the CONTROL pin to be asserted for the unit to start. |
| b[2] | On_off_config_use_control | Controls how unit responds to the CONTROL pin. 0: Unit ignores the CONTROL pin. 1: Unit requires the CONTROL pin to be asserted to start the unit. Depending on On_off_config_use_pmbus the OPERATION command may also be required to instruct the device to start. |
| b[1] | Reserved | Not supported. Always returns 1. |
| b[0] | On_off_config_control_fast_off | CONTROL pin turn off action when commanding the unit to turn off 0: Use the programmed TOFF_DELAY. 1: Turn off the output and stop transferring energy as quickly as possible. The device does not sink current in order to decrease the output voltage fall time. |

PMBUS COMMAND DESCRIPTION

MFR_CONFIG_LTC2975

This command is used to configure various manufacturer specific operating parameters for each channel.

MFR_CONFIG_LTC2975 Data Contents

| BIT(S) | SYMBOL | OPERATION |
|----------|----------------------------------|-------------------------------------------------------------------------------------------------------------------------------------------------------------------------------------------------------------------------------------------------------------------------------------------------------------------------------------------------------------------------------------------------------------------------------------------------------------|
| b[15] | Reserved | Don't care. Always returns 0. |
| b[14] | Mfr_config_cascade_on | Configures channel's control pin for cascade sequence ON. There is no provision for cascade sequence OFF. See description for time based sequence OFF options. |
| b[13:12] | Mfr_config_controln_sel[1:0] | Selects the active control pin input (CONTROL0 , CONTROL1, CONTROL2 or CONTROL3) for this channel. 0: Select CONTROL0 pin. 1: Select CONTROL1 pin. 2: Select CONTROL2 pin. 3: Select CONTROL3 pin. |
| b[11] | Mfr_config_fast_servo_off | Disables fast servo when margining or trimming output voltages: 0: fast-servo enabled. 1: fast-servo disabled. |
| b[10] | Mfr_config_supervisor_resolution | Selects voltage supervisor resolution: 0: high resolution = 4mV / LSB, range for $V_{VSENSEPN} - V_{VSENSEMn}$ is 0 to 3.8V 1: low resolution = 8mV / LSB, range for $V_{VSENSEPN} - V_{VSENSEMn}$ is 0 to 6.0V |
| b[9:8] | Reserved | Always returns 0. |
| b[7] | Mfr_config_servo_continuous | Select whether the UNIT should continuously servo VOUT after it has reached a new margin or nominal target. Only applies when Mfr_config_dac_mode = 00b. 0: Do not continuously servo VOUT after reaching initial target. 1: Continuously servo VOUT to target. |
| b[6] | Mfr_config_servo_on_warn | Control re-servo on warning feature. Only applies when Mfr_config_dac_mode = 00b and Mfr_config_servo_continuous = 0. 0: Do not allow the unit to re-servo when a VOUT warning threshold is met or exceeded. 1: Allow the unit to re-servo VOUT to nominal target if $V_{OUT} \geq V(V_{out_ov_warn_limit})$ or $V_{OUT} \leq V(V_{out_uv_warn_limit})$. |
| b[5:4] | Mfr_config_dac_mode | Determines how DAC is used when channel is in the ON state and TON_RISE has elapsed. 00: Soft-connect (if needed) and servo to target. 01: DAC not connected. 10: DAC connected immediately using value from MFR_DAC command. If this is the configuration after a reset or RESTORE_USER_ALL, MFR_DAC will be undefined and must be written to desired value. 11: DAC is soft-connected. After soft-connect is complete MFR_DAC may be written. |
| b[3] | Mfr_config_vo_en_wpu_en | V _{OUT_EN} pin charge pumped, current-limited pull-up enable. 0: Disable weak pull-up. V _{OUT_EN} pin driver is three-stated when channel is on. 1: Use weak current-limited pull-up on V _{OUT_EN} pin when the channel is on. |
| b[2] | Mfr_config_vo_en_wpd_en | V _{OUT_EN} pin charge-pumped, current-limited pull-down enable. 0: Use a fast N-channel device to pull down V _{OUT_EN} pin when the channel is off for any reason. 1: Use weak current-limited pull-down to discharge V _{OUT_EN} pin when channel is off due to soft stop by the CONTROL pin and/or OPERATION command. If the channel is off due to a fault, use the fast pull-down on the V _{OUT_EN} pin. |

PMBUS COMMAND DESCRIPTION

MFR_CONFIG_LTC2975 Data Contents

| BIT(S) | SYMBOL | OPERATION |
|--------|---------------------|--------------------------------------------------------------------------------------------------------------------------------------------------------|
| b[1] | Mfr_config_dac_gain | DAC buffer gain. 0: Select DAC buffer gain dac_gain_0 (1.38V full-scale) 1: Select DAC buffer gain dac_gain_1 (2.65V full-scale) |
| b[0] | Mfr_config_dac_pol | DAC output polarity. 0: Encodes negative (inverting) DC/DC converter trim input. 1: Encodes positive (non-inverting) DC/DC converter trim input. |

Cascade Sequence ON with Time-Based Sequence OFF

Cascade sequence ON allows a master power supply to sequence on a series of slave supplies by connecting each power supply's power good output to the control pin of the next power supply in the chain. Please note that the power good signal is that of the power supply and not derived from the LTC2975's internal power good processing. Power good based cascade sequence OFF is not supported, OFF sequencing must be managed using immediate or time based sequence OFF. See also Tracking Based Sequencing section.

Cascade sequence ON is illustrated in Figure 15. For each slave channel Mfr_config_cascade_on is asserted high and the associated control input is connected to the power good output of the previous power supply. In this configuration each slave channel's startup is delayed until the previous supply has powered up.

Cascade sequence OFF is not directly supported. Options for reversing the sequence when turning the supplies off include:

- Using the OPERATION command to turn off all the channels with an appropriate off delay.
- Using the FAULT pin to bring all the channels down immediately or in sequence with an appropriate off delay.

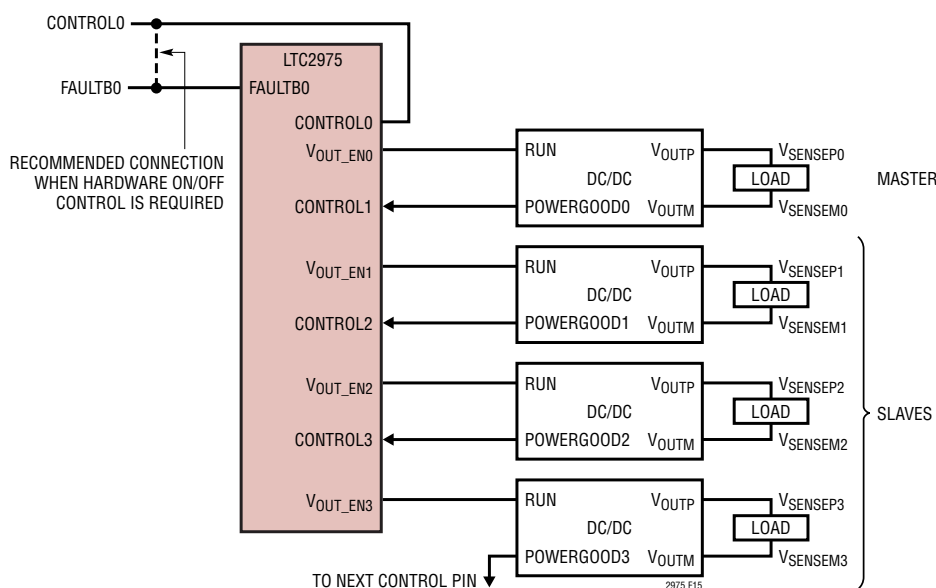


Figure 15. LTC2975 Configured to Cascade Sequence ON and Time-Base Sequence OFF

PMBUS COMMAND DESCRIPTION

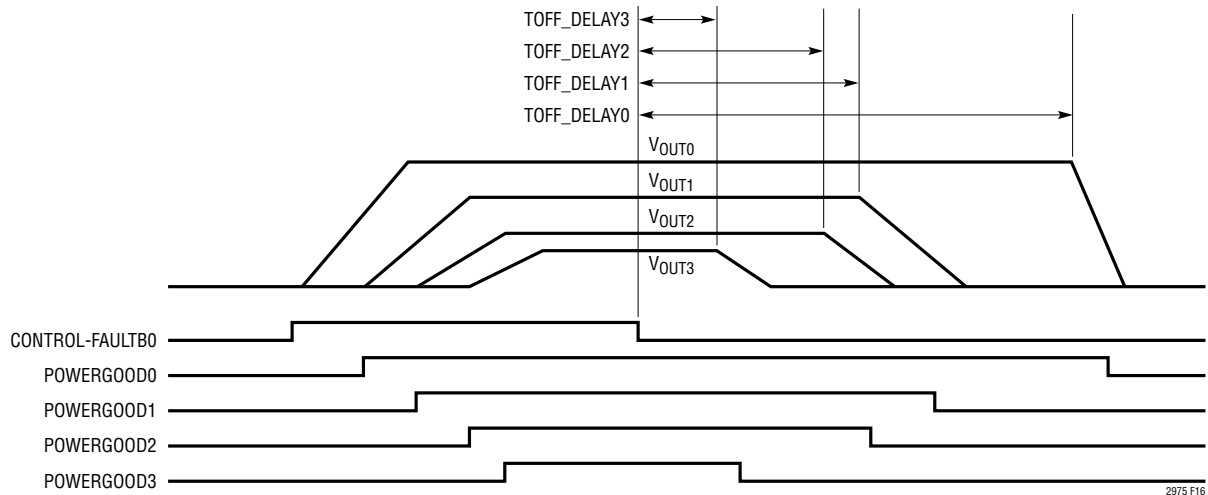


Figure 16. Cascade Sequence ON with Time Based Sequence Down on FAULT0

When asserted, `Mfr_config_cascade_on` enables a slave channel to honor fault retries even when its control pin is low. Additionally, if the system has faulted off after zero or a finite number of retries, an OPERATION command may be used to turn all cascade channels off then on to clear the faulted off state when the slave's control pin is low. For this reason we refer to the control pin as being redefined as a sequence pin.

The waveform of Figure 16 illustrates cascade sequence ON and time based sequence OFF using the configuration illustrated in Figure 15. In this example the FAULTB0 pin is used as a broadcast off signal. Turning the system off with the FAULTB0 requires all slave channels to be configured with `Mfr_faultb0_response_chann` asserted high. After the system is turned off, the LTC2975 will assert ALERTB with all slave channels indicating a `Status_mfr_fault0_in` event.

MFR_CONFIG2_LTC2975

This command register determines whether V_{OUT} overvoltage or overcurrent faults from a given channel cause the AUXFAULTB pin to be pulled low.

MFR_CONFIG2_LTC2975 Data Contents

| BIT(S) | SYMBOL | OPERATION |
|--------|----------------------------------------------------|----------------------------------------------------------------------------------------------------------------------|
| b[7] | <code>Mfr_auxfaultb_oc_fault_response_chan3</code> | Response to channel 3 IOUT_OC_FAULT. 1 = Pull AUXFAULTB low via fast pull-down. 0 = Do not pull AUXFAULTB low. |
| b[6] | <code>Mfr_auxfaultb_oc_fault_response_chan2</code> | Response to channel 2 IOUT_OC_FAULT. 1 = Pull AUXFAULTB low via fast pull-down. 0 = Do not pull AUXFAULTB low. |
| b[5] | <code>Mfr_auxfaultb_oc_fault_response_chan1</code> | Response to channel 1 IOUT_OC_FAULT. 1 = Pull AUXFAULTB low via fast pull-down. 0 = Do not pull AUXFAULTB low. |
| b[4] | <code>Mfr_auxfaultb_oc_fault_response_chan0</code> | Response to channel 0 IOUT_OC_FAULT. 1 = Pull AUXFAULTB low via fast pull-down. 0 = Do not pull AUXFAULTB low. |
| b[3] | <code>Mfr_auxfaultb_ov_fault_response_chan3</code> | Response to channel 3 VOUT_OV_FAULT. 1 = Pull AUXFAULTB low via fast pull-down. 0 = Do not pull AUXFAULTB low. |

2975f

PMBUS COMMAND DESCRIPTION

MFR_CONFIG2_LTC2975 Data Contents

| BIT(S) | SYMBOL | OPERATION |
|--------|---------------------------------------|----------------------------------------------------------------------------------------------------------------------|
| b[2] | Mfr_auxfaultb_ov_fault_response_chan2 | Response to channel 2 VOUT_OV_FAULT. 1 = Pull AUXFAULTB low via fast pull-down. 0 = Do not pull AUXFAULTB low. |
| b[1] | Mfr_auxfaultb_ov_fault_response_chan1 | Response to channel 1 VOUT_OV_FAULT. 1 = Pull AUXFAULTB low via fast pull-down. 0 = Do not pull AUXFAULTB low. |
| b[0] | Mfr_auxfaultb_ov_fault_response_chan0 | Response to channel 0 VOUT_OV_FAULT. 1 = Pull AUXFAULTB low via fast pull-down. 0 = Do not pull AUXFAULTB low. |

MFR_CONFIG3_LTC2975

This command register determines whether V_{OUT} undercurrent faults from a given channel cause the AUXFAULTB pin to be pulled low. This command also allows tracking to be enabled on any channel.

MFR_CONFIG3_LTC2975 Data Contents

| BIT(S) | SYMBOL | OPERATION |
|--------|---------------------------------------|-------------------------------------------------------------------------------------------------------------------------------------------------------------------------------------------------------------------------------------------------------------|
| b[7] | Mfr_auxfaultb_uc_fault_response_chan3 | Response to channel 3 IOUT_UC_FAULT. 1 = Pull AUXFAULTB low via fast pull-down. 0 = Do not pull AUXFAULTB low. |
| b[6] | Mfr_auxfaultb_uc_fault_response_chan2 | Response to channel 2 IOUT_UC_FAULT. 1 = Pull AUXFAULTB low via fast pull-down. 0 = Do not pull AUXFAULTB low. |
| b[5] | Mfr_auxfaultb_uc_fault_response_chan1 | Response to channel 1 IOUT_UC_FAULT. 1 = Pull AUXFAULTB low via fast pull-down. 0 = Do not pull AUXFAULTB low. |
| b[4] | Mfr_auxfaultb_uc_fault_response_chan0 | Response to channel 0 IOUT_UC_FAULT. 1 = Pull AUXFAULTB low via fast pull-down. 0 = Do not pull AUXFAULTB low. |
| b[3] | Mfr_track_en_chan3 | Select if channel 3 is a slave in a tracked power supply system. 0: Channel is not a slave in a tracked power supply system. 1: Channel is a slave in a tracked power supply system. Setting this bit disables UV and UC detection during TOFF_DELAY. |
| b[2] | Mfr_track_en_chan2 | Select if channel 2 is a slave in a tracked power supply system. 0: Channel is not a slave in a tracked power supply system. 1: Channel is a slave in a tracked power supply system. Setting this bit disables UV and UC detection during TOFF_DELAY. |
| b[1] | Mfr_track_en_chan1 | Select if channel 1 is a slave in a tracked power supply system. 0: Channel is not a slave in a tracked power supply system. 1: Channel is a slave in a tracked power supply system. Setting this bit disables UV and UC detection during TOFF_DELAY. |
| b[0] | Mfr_track_en_chan0 | Select if channel 0 is a slave in a tracked power supply system. 0: Channel is not a slave in a tracked power supply system. 1: Channel is a slave in a tracked power supply system. Setting this bit disables UV and UC detection during TOFF_DELAY. |

PMBUS COMMAND DESCRIPTION

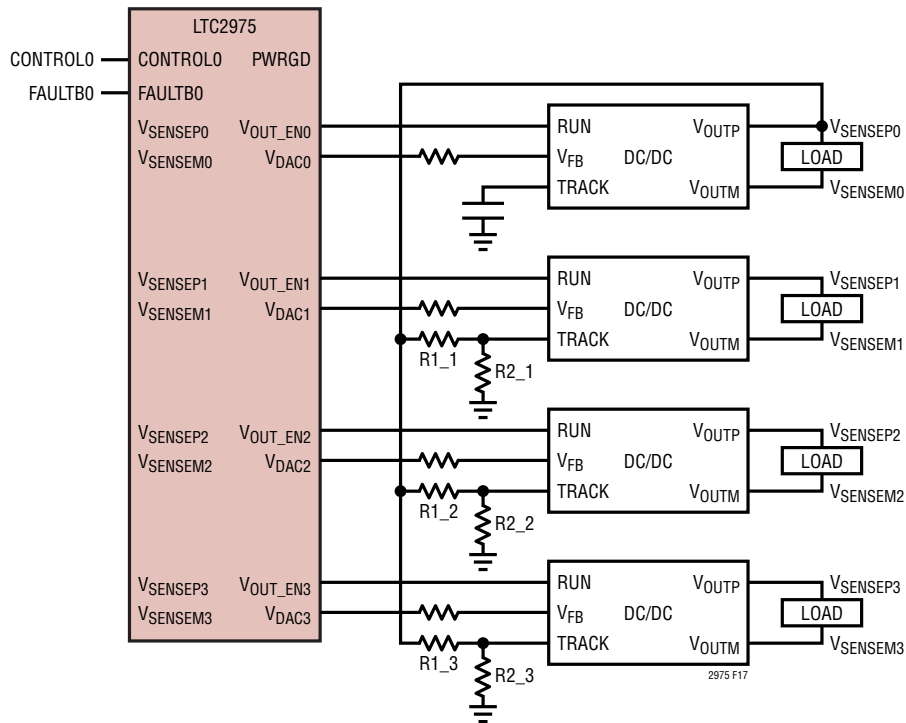


Figure 17. LTC2975 Configured to Control, Supervise and Monitor Power Supplies Equipped with Tracking Pin

Tracking Supplies On and Off

The LTC2975 supports tracking power supplies that are equipped with a tracking pin and configured for tracking. A tracking power supply uses a secondary feedback terminal (TRACK) to allow its output voltage to be scaled to an external master voltage. Typically the external voltage is generated by the supply with the highest voltage in the system, which is fed to the slave track pins (see Figure 17). Supplies that track a master supply must be enabled before the master supply comes up and disabled after the master supply comes down. Enabling the slave supplies when the master is down requires supervisors monitoring the slaves to disable UV detection. Slave UC detection must also be disabled when the slaves are tracking the master down to prevent false UC events. All channels configured for tracking must track off together in response to a fault on any channel or any other condition that can bring one or more of the channels down. Prematurely disabling a slave channel via its RUN pin may cause that channel to shut down out of sequence (see Figure 20)

An important feature of the LTC2975 is the ability to control, monitor and supervise DC/DC converters that are configured to track a master supply on and off.

The LTC2975 supports the following tracking features:

- Track channels on and off without issuing false UV/UC events when the slave channels are tracking up or down.
- Track all channels down in response to a fault from a slave or master.
- Track all channels down when VIN_SNS drops below VIN_OFF, share clock is held low or RESTORE_USER_ALL is issued.
- Ability to reconfigure selected channels that are part of a tracking group to sequence up after the group has tracked up or sequence down before the group has tracked down.

PMBUS COMMAND DESCRIPTION

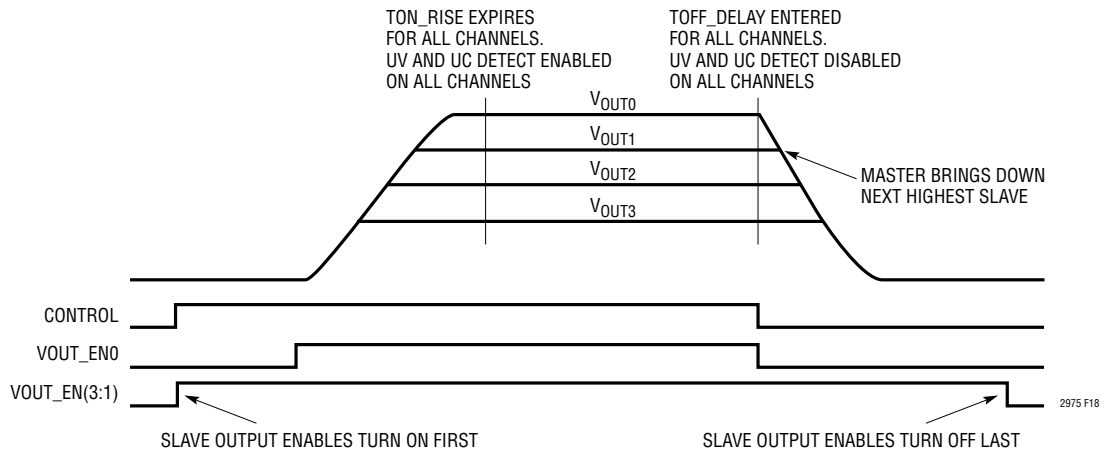


Figure 18. Control Pin Tracking All Supplies Up And Down

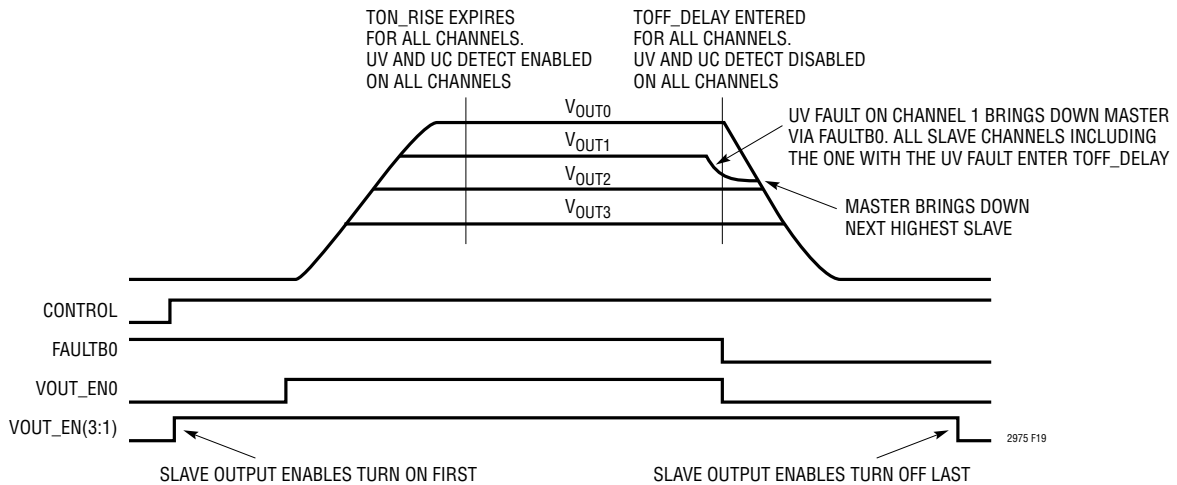


Figure 19. Fault on Channel 1 Tracking All Supplies Down

PMBUS COMMAND DESCRIPTION

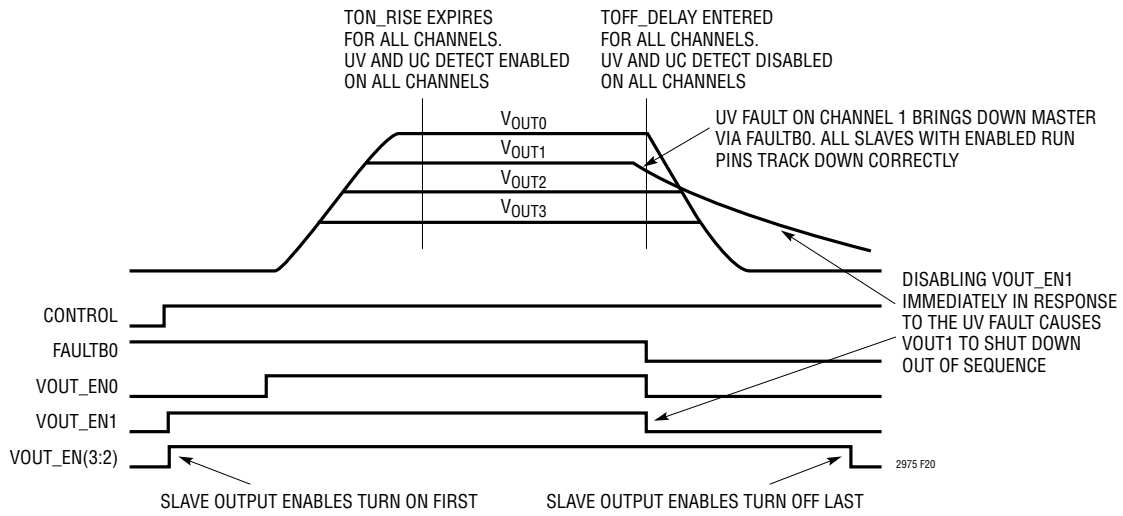


Figure 20. Improperly Configured Fault Response on Faulting Channel Disrupts Tracking

PMBUS COMMAND DESCRIPTION

Tracking Implementation

The LTC2975 supports tracking through the coordinated programming of Ton_delay, Ton_rise, Toff_delay and Mfr_track_en_chann. The master channel must be configured to turn on after all the slave channels have turned on and to turn off before all the slave channels turn off. Slaves that are enabled before the master will remain off until the tracking pin allows them to turn on. Slaves will be turned off via the tracking pin even though their run pin is still asserted. Ton_rise must be extended on the slaves so that it ends relative to the rise of the TRACK pin and not the rise of the V_{OUT_EN} pin.

When Mfr_track_en_chann is enabled the channel is reconfigured to:

- Sequence down on fault, VIN_OFF, SHARE_CLK low or RESTORE_USER_ALL.
- Ignore UV and UC during TOFF_DELAY. Note that ignoring UV and UC during TON_RISE and TON_MAX_FAULT always happens regardless of how this bit is set.

The following example illustrates configuring an LTC2975 with one master channel and three slaves.

Master channel 0

TON_DELAY = Ton_delay_master

TON_RISE = Ton_rise_master

TOFF_DELAY = Toff_delay_master

Mfr_track_en_chan0 = 0

Slave channel *n*

TON_DELAY = Ton_delay_slave

TON_RISE = Ton_delay_master + Ton_rise_slave

TOFF_DELAY = Toff_delay_master + T_off_delay_slave

Mfr_track_en_chan0 = 1

Where:

Ton_delay_master – Ton_delay_slave > RUN to TRACK setup time

Toff_delay_slave > time for master supply to fall.

The system response to a control pin toggle is illustrated in Figure 18.

The system response to a UV fault on a slave channel is illustrated in Figure 19.

MFR_CONFIG_ALL_LTC2975

This command is used to configure parameters that are common to all channels on the IC. They may be set or reviewed from any PAGE setting.

PMBUS COMMAND DESCRIPTION

MFR_CONFIG_ALL_LTC2975 Data Contents

| BIT(S) | SYMBOL | OPERATION |
|----------|-------------------------------------|------------------------------------------------------------------------------------------------------------------------------------------------------------------------------------------------------------------------------------------------------------------------------------------------------------------------------------------------------------------------------------------------|
| b[15:12] | Reserved | Don't care. Always returns 0. |
| b[11] | Mfr_config_all_pwrzd_off_uses_uv | Selects PWRGD de-assertion source for all channels. 0: PWRGD is de-asserted based on V_{OUT} being below or equal to POWER_GOOD_OFF. This option uses the ADC. Response time is approximately 100ms to 200ms. 1: PWRGD is de-asserted based on V_{OUT} being below or equal to VOUT_UV_LIMIT. This option uses the high speed supervisor. Response time is approximately 12 μ s. |
| b[10] | Mfr_config_all_fast_fault_log | Controls number of ADC readings completed before transferring fault log memory to EEPROM. 0: All ADC telemetry values will be updated before transferring fault log to EEPROM. Slower. 1: Telemetry values will be transferred from fault log to EEPROM within 24ms after detecting fault. Faster. |
| b[9] | Mfr_config_all_control3_pol | Selects active polarity of CONTROL3 pin 0: Active low (pull pin low to start unit). 1: Active high (pull pin high to start unit). |
| b[8] | Mfr_config_all_control2_pol | Selects active polarity of CONTROL2 pin 0: Active low (pull pin low to start unit). 1: Active high (pull pin high to start unit). |
| b[7] | Mfr_config_all_fault_log_enable | Enable fault logging to EEPROM in response to Fault. 0: Fault logging to EEPROM is disabled. 1: Fault logging to EEPROM is enabled. |
| b[6] | Mfr_config_all_vin_on_clr_faults_en | Allow VIN_ON rising edge to clear all latched faults. 0: VIN_ON clear faults feature is disabled. 1: VIN_ON clear faults feature is enabled. |
| b[5] | Mfr_config_all_control1_pol | Selects active polarity of CONTROL1 pin 0: Active low (pull pin low to start unit). 1: Active high (pull pin high to start unit). |
| b[4] | Mfr_config_all_control0_pol | Selects active polarity of CONTROL0 pin 0: Active low (pull pin low to start unit). 1: Active high (pull pin high to start unit). |
| b[3] | Mfr_config_all_vin_share_enable | Allow this unit to hold Share-clock pin low when V_{IN} has not risen above VIN_ON or has fallen below VIN_OFF. When enabled this unit will also turn all channels off in response to Share-clock being held low. 0: Share-clock inhibit is disabled. 1: Share-clock inhibit is enabled. |
| b[2] | Mfr_config_all_pec_en | PMBus packet error checking enable. 0: PEC is accepted but not required. 1: PEC is enabled. |
| b[1] | Mfr_config_all_longer_pmbus_timeout | Increase PMBus timeout interval by a factor of 8. Recommended for fault logging. 0: PMBus timeout is not multiplied by a factor of 8. 1: PMBus timeout is multiplied by a factor of 8. |
| b[0] | Mfr_config_all_auxfaultb_wpu_dis | AUXFAULTB charge-pumped, current-limited pull-up disable. 0: Use weak current-limited pull-up on AUXFAULTB after power-up, as long as no faults have forced AUXFAULTB off. 1: Disable weak pull-up. AUXFAULTB driver is three-stated after power-up as long as no faults have forced AUXFAULTB off. |

PMBUS COMMAND DESCRIPTION

PROGRAMMING USER EEPROM SPACE

| COMMAND NAME | CMD CODE | DESCRIPTION | TYPE | PAGED | FORMAT | UNITS | EEPROM | DEFAULT VALUE | REF PAGE |
|------------------|----------|-------------------------------------------------------------------------------------------------------------|-----------|-------|--------|-------|--------|---------------|--------------------|
| STORE_USER_ALL | 0x15 | Store entire operating memory to EEPROM. | Send Byte | N | | | | NA | 45 |
| RESTORE_USER_ALL | 0x16 | Restore entire operating memory from EEPROM. | Send Byte | N | | | | NA | 45 |
| MFR_EE_UNLOCK | 0xBD | Unlock user EEPROM for access by MFR_EE_ERASE and MFR_EE_DATA commands. | R/W Byte | N | Reg | | | NA | 46 |
| MFR_EE_ERASE | 0xBE | Initialize user EEPROM for bulk programming by MFR_EE_DATA. | R/W Byte | N | Reg | | | NA | 46 |
| MFR_EE_DATA | 0xBF | Data transferred to and from EEPROM using sequential PMBus word reads or writes. Supports bulk programming. | R/W Word | N | Reg | | | NA | 46 |

STORE_USER_ALL and RESTORE_USER_ALL

STORE_USER_ALL, RESTORE_USER_ALL commands provide access to User EEPROM space. Once a command is stored in User EEPROM, it will be restored with explicit restore command, when the part emerges from power-on reset after power is applied, or after toggling the Reset pin. While either of these commands is being processed, the part will indicate it is busy, see Response When Part Is Busy on page [47](#).

STORE_USER_ALL. Issuing this command will store all operating memory commands with a corresponding EEPROM memory location.

RESTORE_USER_ALL. Issuing this command will restore all commands from EEPROM Memory. It is recommended that this command not be executed while a unit is enabled since all monitoring is suspended while the EEPROM is transferred to operating memory, and intermediate values from EEPROM may not be compatible with the values initially stored in operating memory.

Bulk Programming the User EEPROM Space

The MFR_EE_UNLOCK, MFR_EE_ERASE and MFR_EE_DATA commands provide a method for 3rd party EEPROM programming houses and end users to easily program the LTC2975 independent of any order dependencies or delays between PMBus commands. All data transfers are directly to and from the EEPROM and do not affect the volatile RAM space currently configuring the device.

The first step is to program a master reference part with the desired configuration. MFR_EE_UNLOCK and MFR_EE_DATA are then used to read back all the data in User EEPROM space as sequential words. This information is stored to the master programming HEX file. Subsequent parts may be cloned to match the master part using MFR_EE_UNLOCK, MFR_EE_ERASE and MFR_EE_DATA to transfer data from the master HEX file. These commands operate directly on the EEPROM independent of the part configurations stored in RAM space. During EEPROM access the part will indicate that it is busy as described below.

In order to support simple programming fixtures the bulk programming features only uses PMBus word and byte commands. The MFR_UNLOCK configures the appropriate access mode and resets an internal address pointer allowing a series of word commands to behave as a block read or write with the address pointer being incremented after each operation. PEC use is optional and is configured by the MFR_EE_UNLOCK operation.

PMBUS COMMAND DESCRIPTION

MFR_EE_UNLOCK

The MFR_EE_UNLOCK command prevents accidental EEPROM access in normal operation and configures the required EEPROM bulk programming mode for bulk initialization, sequential writes, or reads. MFR_EE_UNLOCK augments the protection provided by write protect. Upon unlocking the part for the required operation, an internal address pointer is reset allowing a series of MFR_EE_DATA reads or writes to sequentially transfer data, similar to a block read or block write. The MFR_EE_UNLOCK command can clear or set PEC mode based on the desired level of error protection. An MFR_EE_UNLOCK sequence consists of writing two unlock codes using two byte-write commands. The following table documents the allowed sequences. Writing a non-supported sequence locks the part. Reading MFR_EE_UNLOCK returns the last byte written or zero if the part is locked.

MFR_EE_UNLOCK Data Contents

| BIT(S) | SYMBOL | OPERATION |
|--------|--------------------|--------------------------------------------------------------------------------------------------------------------------------------------------------------------------------------------------------------------------------------------------------------------------------------------------------------------------------------------------------------------------------------------------------------------------------------------------------------------------------------------------------------------------------------------------------------------------------------------------------------------|
| b[7:0] | Mfr_ee_unlock[7:0] | To unlock user EEPROM space for Mfr_ee_erase and Mfr_ee_data read or write operations with PEC allowed: Write 0x2b followed by 0xd4. To unlock user EEPROM space for Mfr_ee_erase and Mfr_ee_data read or write operations with PEC required: Write 0x2b followed by 0xd5. To unlock user and manufacturer EEPROM space for Mfr_ee_data read only operations with PEC allowed: Write 0x2b, followed by 0x91 followed by 0xe4. To unlock user and manufacturer EEPROM space for Mfr_ee_data read only operations with PEC required: Write 0x2b, followed by 0x91 followed by 0xe5. |

MFR_EE_ERASE

The MFR_EE_ERASE command is used to erase the entire contents of the user EEPROM space and configures this space to accept new program data. Writing values other than 0x2B will lock the part. Reads return the last value written.

MFR_EE_ERASE Data contents

| BIT(S) | SYMBOL | OPERATION |
|--------|-------------------|--------------------------------------------------------------------------------------------------------------------------------------------------------------------------------------------------------------------------------------------------------------------------------------------------------------|
| b[7:0] | Mfr_ee_erase[7:0] | To erase the user EEPROM space and configure to accept new data: 1) Use the appropriate Mfr_ee_unlock sequence to configure for Mfr_ee_erase commands with or without PEC. 2) Write 0x2B to Mfr_ee_erase. The part will indicate it is busy erasing the EEPROM by the mechanism detailed below. |

MFR_EE_DATA

The MFR_EE_DATA command allows the user to transfer data directly to or from the EEPROM without affecting RAM space.

To read the user EEPROM space issue the appropriate Mfr_ee_unlock command and perform Mfr_ee_data reads until the EEPROM has been completely read. Extra reads will lock the part and return zero. The first read returns the 16-bit EEPROM packing revision ID that is stored in ROM. The second read returns the number of 16-bit words available; this is the number of reads or writes to access all memory locations. Subsequent reads return EEPROM data starting with lowest address.

To write to the user EEPROM space issue the appropriate Mfr_ee_unlock and Mfr_ee_erase commands followed by successive Mfr_ee_data word writes until the EEPROM is full. Extra writes will lock the part. The first write is to the lowest address.

Mfr_ee_data reads and writes must not be mixed.

PMBUS COMMAND DESCRIPTION

MFR_EE_DATA Data Contents

| BIT(S) | SYMBOL | OPERATION |
|--------|------------------|-----------------------------------------------------------------------------------------------------------------------------------------------------------------------------------------------------------------------------------------------------------------------------------------------------------------------------------------------------------------------------------------------------------------------------------------------------------------------------------------------------------------------------------------------------------------------------------------------------------------------------------------------------------------------------------------------------------------------------------------------------------------------------------------------------------------------------------------------------------------------------------------------------------------------------------------------------|
| b[7:0] | Mfr_ee_data[7:0] | <p>To read user space</p> <ol style="list-style-type: none"> 1) Use the appropriate Mfr_ee_unlock sequence to configure for Mfr_ee_data commands with or without PEC. 2) Read Mfr_ee_data[0] = PackingId (MFR Specific ID). 3) Read Mfr_ee_data[1] = NumberOfUserWords (total number of 16-bit word available). 4) Read Mfr_ee_data[2] through Mfr_ee_data[NumberOfWord+1] (User EEPROM data contents) <p>To write user space</p> <ol style="list-style-type: none"> 1) Initialize the user memory using the sequence described for the MFR_EE_ERASE command. 2) Use the appropriate Mfr_ee_unlock sequence to configure for Mfr_ee_data commands with or without PEC. 3) Write Mfr_ee_data[0] through Mfr_ee_data[NumberOfWord-1] (User EEPROM data content to be written) <p>The part will indicate it is busy erasing the EEPROM by the mechanism detailed below.</p> |

Response When Part Is Busy

The part will indicate it is busy accessing the EEPROM by the following mechanism:

- 1) Clearing Mfr_common_busyb of the MFR_COMMON register. This byte can always be read and will never NACK a byte read request even if the part is busy.
- 2) NACKing commands other than MFR_COMMON.

MFR_EE Erase and Write Programming Time

The program time per word is typically 0.17ms and will require spacing the I²C/SMBus writes at greater than 0.17ms to guarantee the write has completed. The Mfr_ee_erase command takes approximately 400ms. We recommend using MFR_COMMON for handshaking.

INPUT VOLTAGE COMMANDS AND LIMITS

| COMMAND NAME | CMD CODE | DESCRIPTION | TYPE | PAGED | FORMAT | UNITS | EEPROM | DEFAULT VALUE | REF PAGE |
|--------------------|----------|----------------------------------------------------------------------------------------------------------------------------------------------------------------------|----------|-------|--------|-------|--------|----------------|--------------------|
| VIN_ON | 0x35 | Input voltage above which power conversion can be enabled. | R/W Word | N | L11 | V | Y | 10.0 0xD280 | 47 |
| VIN_OFF | 0x36 | Input voltage below which power conversion is disabled. All V _{OUT_EN} pins go off immediately or sequence off after TOFF_DELAY (See Mfr_config_track_enn). | R/W Word | N | L11 | V | Y | 9.0 0xD240 | 47 |
| VIN_OV_FAULT_LIMIT | 0x55 | Input overvoltage fault limit measured at VIN_SNS pin. | R/W Word | N | L11 | V | Y | 15.0 0xD3C0 | 47 |
| VIN_OV_WARN_LIMIT | 0x57 | Input overvoltage warning limit measured at VIN_SNS pin. | R/W Word | N | L11 | V | Y | 14.0 0xD380 | 47 |
| VIN_UV_WARN_LIMIT | 0x58 | Input undervoltage warning limit measured at VIN_SNS pin. | R/W Word | N | L11 | V | Y | 0 0x8000 | 47 |
| VIN_UV_FAULT_LIMIT | 0x59 | Input undervoltage fault limit measured at VIN_SNS pin. | R/W Word | N | L11 | V | Y | 0 0x8000 | 47 |

VIN_ON, VIN_OFF, VIN_OV_FAULT_LIMIT, VIN_OV_WARN_LIMIT, VIN_UV_WARN_LIMIT and VIN_UV_FAULT_LIMIT

These commands provide voltage supervising limits for the input voltage V_{IN_SNS}.

PMBUS COMMAND DESCRIPTION

INPUT CURRENT AND ENERGY

| COMMAND NAME | | DESCRIPTION | TYPE | PAGED | FORMAT | UNITS | EEPROM | DEFAULT VALUE | REF PAGE |
|---------------------|------|------------------------------------------------------------|----------|-------|--------|-------|--------|---------------|--------------------|
| MFR_EIN | 0xC0 | Input energy data bytes. | R Block | N | Reg | | | NA | 48 |
| MFR_EIN_CONFIG | 0xC1 | Configuration register for energy and input current. | R/W Byte | N | Reg | | Y | 0x00 | 49 |
| MFR_IIN_CAL_GAIN_TC | 0xC3 | Temperature coefficient applied to IIN_CAL_GAIN. | R/W Word | N | CF | ppm | Y | 0x0000 | 50 |
| MFR_IIN_CAL_GAIN | 0xE8 | The nominal resistance of the current sense element in mΩ. | R/W Word | N | L11 | mΩ | Y | 1.0 0xBA00 | 49 |

Energy Measurement and Reporting

Input energy measurement and monitoring supports the following:

- Input energy derived from the accumulated product of READ_VIN and READ_IIN.
- Reporting input energy value as a 48-bit integer in mJ. Returning value in Joules eliminates the need for the host to manage time.
- Reporting input energy time as a 48-bit integer in ms, where input energy time is the elapsed time since energy monitoring was last reset.
- Resetting time and energy accumulators whenever MFR_EIN_CONFIG is written.
- Wrapping of time and energy accumulators when full.
- An optional HD mode allowing the user to give priority to energy measurement by forcing the ADC to measure READ_VIN and READ_IIN between every other ADC measurement.
- Reporting energy and time values coherently.
- Ability to decrement energy to prevent rectification and accumulation of noise when the channel is off. Energy is not allowed to decrement below zero.

MFR_EIN

Read only. This 12 byte data block returns the input energy value and time. Once the block read starts, MFR_EIN updates are suspended until the block read completes. However, energy and time continue to accumulate internally during block reads.

Table 2. MFR_EIN Data Block Contents

| DATA | BYTE* | DESCRIPTION |
|----------------------|-------|-------------------------------------------------------------------------------------------|
| Energy_value [7:0] | 0 | Energy Value in mJ. This is the accumulated energy since Mfr_ein_config was last written. |
| Energy_value [15:8] | 1 | |
| Energy_value [23:16] | 2 | |
| Energy_value [31:24] | 3 | |
| Energy_value [39:32] | 4 | |
| Energy_value [47:40] | 5 | |
| Energy_time [7:0] | 6 | Energy Time in ms. This is the elapsed time since Mfr_ein_config was last written. |
| Energy_time [15:8] | 7 | |
| Energy_time [23:16] | 8 | |
| Energy_time [31:24] | 9 | |
| Energy_time [39:32] | 10 | |
| Energy_time [47:40] | 11 | |

PMBUS COMMAND DESCRIPTION

MFR_EIN_CONFIG

This command configures energy and input current related parameters.

MFR_EIN_CONFIG Data Contents

| BIT(S) | SYMBOL | OPERATION |
|--------|--------------------------|------------------------------------------------------------------------------------------------------------------------------------------------------------------------------------------------------------------------------|
| b[7:3] | Mfr_ein_config_reserved | Don't care. Always returns 0. |
| b[2] | Mfr_ein_config_hd | Optimize ADC polling sequence for higher definition input energy measurement. 0: Standard ADC polling sequence 1: Read_vin and Read_iin measurements are interleaved between every other ADC measurement. |
| b[1:0] | Mfr_ein_config_iin_range | Input sense amplifier range setting. 0: High Range 1: Medium Range 2: Low Range 3: Reserved The range sets the Full-Scale Input Voltage Range (FS_IIN). Lower range settings have lower input referred noise. |

MFR_IIN_CAL_GAIN

The MFR_IIN_CAL_GAIN command is used to set the ratio of the voltage at the input current sense pins to the sensed current. For devices using a fixed current sense resistor, it is the same value as the resistance of the sense resistor (units are expressed in mΩ). MFR_IIN_CAL_GAIN is internally limited to values between 0.01mΩ to 1,000mΩ. The register readback value always returns what was last written and does not reflect internal limiting.

Calculations using IIN_CAL_GAIN are:

$$\text{READ_IIN} = \frac{V_{\text{IIN_SNSPn}} - V_{\text{IIN_SNSMn}}}{(\text{MFR_IIN_CAL_GAIN}) \cdot T_{\text{CORRECTION}}}$$

where:

$$T_{\text{CORRECTION}} = [1 + \text{MFR_IIN_CAL_GAIN_TC} \cdot 1\text{E-6} \cdot (\text{READ_TEMPERATURE_2} - 25.0)]$$

Note:

$T_{\text{CORRECTION}}$ is limited by hardware to a value between 0.25 and 4.0.

READ_TEMPERATURE_2 is the internal die temperature.

Mfr_ein_config_iin_range[1:0] may be used to minimize noise in systems with low sense resistor values.

PMBUS COMMAND DESCRIPTION

MFR_IIN_CAL_GAIN_TC

The MFR_IIN_CAL_GAIN_TC sets the temperature coefficient of the MFR_IIN_CAL_GAIN register value in ppm/°C. This command uses the internal die temperature.

Refer to MFR_IIN_CAL_GAIN for details on proper usage.

MFR_IOUT_CAL_GAIN_TC Data Contents

| BIT(S) | SYMBOL | OPERATION |
|---------|---------------------|---------------------------------------------------------------------------------------------------------------------------------------------------------------------------------------------------------------------------|
| b[15:0] | Mfr_iin_cal_gain_tc | 16-bit twos complement integer representing the temperature coefficient. Value = Y where Y = b[15:0] is a twos complement number. Example: Mfr_iin_cal_gain_tc = 3900ppm For b[15:0] = 0x0F3C Value = 3900 |

OUTPUT VOLTAGE COMMANDS AND LIMITS

| COMMAND NAME | CMD CODE | DESCRIPTION | TYPE | PAGED | FORMAT | UNITS | EEPROM | DEFAULT VALUE | REF PAGE |
|------------------------------|----------|---------------------------------------------------------------------------------------------------------------------|----------|-------|--------|-------|--------|-----------------|--------------------|
| VOUT_MODE | 0x20 | Output voltage data format and mantissa exponent (2^{-13}). | R Byte | Y | Reg | | | 0x13 | 51 |
| VOUT_COMMAND | 0x21 | Servo target. Nominal DC/DC converter output voltage setpoint. | R/W Word | Y | L16 | V | Y | 1.0 0x2000 | 51 |
| VOUT_MAX | 0x24 | Upper limit on the output voltage the unit can command regardless of any other commands. | R/W Word | Y | L16 | V | Y | 4.0 0x8000 | 51 |
| VOUT_MARGIN_HIGH | 0x25 | Margin high DC/DC converter output voltage setting. | R/W Word | Y | L16 | V | Y | 1.05 0x219A | 51 |
| VOUT_MARGIN_LOW | 0x26 | Margin low DC/DC converter output voltage setting. | R/W Word | Y | L16 | V | Y | 0.95 0x1E66 | 51 |
| VOUT_OV_FAULT_LIMIT | 0x40 | Output overvoltage fault limit. | R/W Word | Y | L16 | V | Y | 1.1 0x2333 | 47 |
| VOUT_OV_WARN_LIMIT | 0x42 | Output overvoltage warning limit. | R/W Word | Y | L16 | V | Y | 1.075 0x2266 | 47 |
| VOUT_UV_WARN_LIMIT | 0x43 | Output undervoltage warning limit. | R/W Word | Y | L16 | V | Y | 0.925 0x1D9A | 47 |
| VOUT_UV_FAULT_LIMIT | 0x44 | Output undervoltage fault limit. Used for Ton_max_fault and power good de-assertion. | R/W Word | Y | L16 | V | Y | 0.9 0x1CCD | 47 |
| POWER_GOOD_ON | 0x5E | Output voltage at or above which a power good should be asserted. | R/W Word | Y | L16 | V | Y | 0.96 0x1EB8 | 51 |
| POWER_GOOD_OFF | 0x5F | Output voltage at or below which a power good should be de-asserted when Mfr_config_all_pwrqd_off_uses_uv is clear. | R/W Word | Y | L16 | V | Y | 0.94 0x1E14 | 51 |
| MFR_VOUT_DISCHARGE_THRESHOLD | 0xE9 | Coefficient used to multiply VOUT_COMMAND in order to determine V _{OUT} off threshold voltage. | R/W Word | Y | L11 | | Y | 2.0 0xC200 | 51 |
| MFR_DAC | 0xE0 | Manufacturer register that contains the code of the 10-bit DAC. | R/W Word | Y | Reg | | | 0x0000 | 51 |

PMBUS COMMAND DESCRIPTION

VOUT_MODE

This command is read only and specifies the mode and exponent for all commands with a L16 data format. See Data Formats on page 27.

VOUT_MODE Data Contents

| BIT(S) | SYMBOL | OPERATION |
|--------|---------------------|----------------------------------------------------------------------------------------|
| b[7:5] | Vout_mode_type | Reports linear mode. Hard-wired to 000b. |
| b[4:0] | Vout_mode_parameter | Linear mode exponent. 5-bit two's complement integer. Hardwired to 0x13 (-13 decimal). |

VOUT_COMMAND, VOUT_MAX, VOUT_MARGIN_HIGH, VOUT_MARGIN_LOW, VOUT_OV_FAULT_LIMIT, VOUT_OV_WARN_LIMIT, VOUT_UV_WARN_LIMIT, VOUT_UV_FAULT_LIMIT, POWER_GOOD_ON and POWER_GOOD_OFF

These commands provide various servo, margining and supervising limits for a channel's output voltage.

MFR_VOUT_DISCHARGE_THRESHOLD

This register contains the coefficient that multiplies VOUT_COMMAND in order to determine the OFF threshold voltage for the associated output. If the output voltage has not decayed below MFR_VOUT_DISCHARGE_THRESHOLD • VOUT_COMMAND prior to the channel being commanded to enter/re-enter the ON state, the Status_mfr_discharge bit in the STATUS_MFR_SPECIFIC register will be set and the ALERTB pin will be asserted low. In addition, the channel will not enter the ON state until the output has decayed below its off-threshold voltage. Setting this to a value greater than 1.0 effectively disables DISCHARGE_THRESHOLD checking, allowing the channel to turn back on even if it has not decayed at all.

Other channels can be held-off if a particular output has failed to discharge by using the bidirectional FAULTB_n pins (refer to the MFR_FAULTB_n_RESPONSE and MFR_FAULTB_n_PROPOGATE registers).

MFR_DAC

This command register allows the user to directly program the 10-bit DAC. Manual DAC writes require the channel to be in the ON state, TON_RISE to have expired and MFR_CONFIG_LTC2975 b[5:4] = 10b or 11b. Writing MFR_CONFIG_LTC2975 b[5:4] = 10b commands the DAC to hard connect with the value in Mfr_dac_direct_val. Writing b[5:4] = 11b commands the DAC to soft connect. Once the DAC has soft connected, Mfr_dac_direct_val returns the value that allowed the DAC to be connected without perturbing the power supply. MFR_DAC writes are ignored when MFR_CONFIG_LTC2975 b[5:4] = 00b or 01b.

MFR_DAC Data Contents

| BIT(S) | SYMBOL | OPERATION |
|----------|--------------------|------------------------------|
| b[15:10] | Reserved | Read only, always returns 0. |
| b[9:0] | Mfr_dac_direct_val | DAC code value. |

PMBUS COMMAND DESCRIPTION

OUTPUT CURRENT COMMANDS AND LIMITS

| COMMAND NAME | CMD CODE | DESCRIPTION | TYPE | PAGED | FORMAT | UNITS | EEPROM | DEFAULT VALUE | REF PAGE |
|----------------------|----------|-------------------------------------------------------------------------------------------------|----------|-------|--------|-------|--------|----------------|--------------------|
| IOUT_CAL_GAIN | 0x38 | The nominal resistance of the current sense element in mΩ. | R/W Word | Y | L11 | mΩ | Y | 1.0 0xBA00 | 52 |
| IOUT_OC_FAULT_LIMIT | 0x46 | Output overcurrent fault limit. | R/W Word | Y | L11 | A | Y | 10.0 0xD280 | 52 |
| IOUT_OC_WARN_LIMIT | 0x4A | Output overcurrent warning limit. | R/W Word | Y | L11 | A | Y | 5.0 0xCA80 | 52 |
| IOUT_UC_FAULT_LIMIT | 0x4B | Output undercurrent fault limit. Used to detect a reverse current and must be a negative value. | R/W Word | Y | L11 | A | Y | -1.0 0xB400 | 52 |
| MFR_IOUT_CAL_GAIN_TC | 0xF6 | Temperature coefficient applied to IOUT_CAL_GAIN. | R/W Word | Y | CF | ppm | Y | 0x0000 | 53 |

IOUT_CAL_GAIN

The IOUT_CAL_GAIN command is used to set the ratio of the voltage at the current sense pins to the sensed current. For devices using a fixed current sense resistor, it is the same value as the resistance of the resistor (units are expressed in mΩ). IOUT_CAL_GAIN is internally limited to values between 0.01mΩ to 1,000mΩ. The register readback value always returns what was last written and does not reflect internal limiting.

Calculations using IOUT_CAL_GAIN are:

$$V_{IOUT_OC_FAULT_LIMIT} = IOUT_OC_FAULT_LIMIT \cdot IOUT_CAL_GAIN \cdot T_{CORRECTION}$$

$$V_{IOUT_UC_FAULT_LIMIT} = IOUT_UC_FAULT_LIMIT \cdot IOUT_CAL_GAIN \cdot T_{CORRECTION}$$

where:

$$T_{CORRECTION} = (1 + MFR_IOUT_CAL_GAIN_TC \cdot 1E-6 \cdot (READ_TEMPERATURE_1 + MFR_T_SELF_HEAT - 25.0))$$

$$READ_IOUT = \frac{V_{IOUT_SNSPn} - V_{IOUT_SNSMn}}{(IOUT_CAL_GAIN) \cdot T_{CORRECTION}}$$

Note:

$T_{CORRECTION}$ is limited by hardware to a value between 0.25 and 4.0.

READ_TEMPERATURE_2 is substituted for READ_TEMPERATURE_1 if the associated T_{SENSE} network fails to detect a valid temperature. See READ_TEMPERATURE_1 for more information.

IOUT_OC_FAULT_LIMIT, IOUT_OC_WARN_LIMIT and IOUT_UC_FAULT_LIMIT

IOUT supervisor fault and warning limits.

IOUT_OC_FAULT_LIMIT is internally limited to values greater or equal to zero. The register readback value always returns what was last written and does not reflect internal limiting.

IOUT_UC_FAULT_LIMIT is internally limited to values less than zero. The register readback value always returns what was last written and does not reflect internal limiting.

PMBUS COMMAND DESCRIPTION

MFR_IOUT_CAL_GAIN_TC

The MFR_IOUT_CAL_GAIN_TC is a paged command that sets the temperature coefficient of the IOUT_CAL_GAIN register value in ppm/°C. This command uses the temperature measured by the external temperature diode for the associated page.

Refer to IOUT_CAL_GAIN for details on proper usage.

MFR_IOUT_CAL_GAIN_TC Data Contents

| BIT(S) | SYMBOL | OPERATION |
|---------|----------------------|---------------------------------------------------------------------------------------------------------------------------------------------------------------------------------------------------------------------|
| b[15:0] | Mfr_iout_cal_gain_tc | 16-bit twos complement integer representing the temperature coefficient. Value = Y where Y = b[15:0] is a twos complement. Example: Mfr_iout_cal_gain_tc = 3900ppm For b[15:0] = 0x0F3C Value = 3900 |

EXTERNAL TEMPERATURE COMMANDS AND LIMITS

| COMMAND NAME | CMD CODE | DESCRIPTION | TYPE | PAGED | FORMAT | UNITS | EEPROM | DEFAULT VALUE | REF PAGE |
|---------------------------|----------|-------------------------------------------------------------------------------------------------------------------------------------|----------|-------|--------|-------|--------|----------------|--------------------|
| OT_FAULT_LIMIT | 0x4F | Overtemperature fault limit setting for the external temperature sensor. | R/W Word | Y | L11 | °C | Y | 65.0 0xEA08 | 54 |
| OT_WARN_LIMIT | 0x51 | Overtemperature warning limit for the external temperature sensor | R/W Word | Y | L11 | °C | Y | 60.0 0xE3C0 | 54 |
| UT_WARN_LIMIT | 0x52 | Undertemperature warning limit for the external temperature sensor. | R/W Word | Y | L11 | °C | Y | 0 0x8000 | 54 |
| UT_FAULT_LIMIT | 0x53 | Undertemperature fault limit for the external temperature sensor. | R/W Word | Y | L11 | °C | Y | -5.0 0xCD80 | 54 |
| MFR_TEMP_1_GAIN | 0xF8 | Inverse of external diode temperature non ideality factor. One LSB = 2 ⁻¹⁴ . | R/W Word | Y | CF | | Y | 1 0x4000 | 54 |
| MFR_TEMP_1_OFFSET | 0xF9 | Offset value for the external temperature. | R/W Word | Y | L11 | °C | Y | 0 0x8000 | 54 |
| MFR_T_SELF_HEAT | 0xB8 | Calculated temperature rise due to self-heating of output current sense device above value measured by external temperature sensor. | R Word | Y | L11 | °C | | NA | 54 |
| MFR_IOUT_CAL_GAIN_TAU_INV | 0xB9 | Inverse of time constant for Mfr_t_self_heat changes scaled by 4 • tCONV_SENSE. | R/W Word | Y | L11 | | Y | 0.0 0x8000 | 54 |
| MFR_IOUT_CAL_GAIN_THETA | 0xBA | Thermal resistance from inductor core to point measured by external temperature sensor. | R/W Word | Y | L11 | °C/W | Y | 0.0 0x8000 | 54 |

PMBUS COMMAND DESCRIPTION

OT_FAULT_LIMIT, OT_WARN_LIMIT, UT_WARN_LIMIT and UT_FAULT_LIMIT

These commands provide supervising limits for temperature as measured by the external diode.

MFR_TEMP_1_GAIN and MFR_TEMP_1_OFFSET

The MFR_TEMP_1_GAIN command specifies the inverse of the temperature sensor ideality factor. The MFR_TEMP_1_OFFSET allows an offset to be applied to the measured temperature.

Calculations using these paged commands are:

$$\text{READ_TEMPERATURE_1} = T_{\text{EXT}} \cdot \text{MFR_TEMP_1_GAIN} - 273.15 + \text{MFR_TEMP_1_OFFSET}$$

where:

$$T_{\text{EXT}} = \text{Measured external temperature in degrees Kelvin.}$$

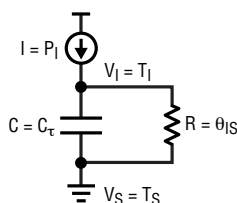
READ_TEMPERATURE_2 is substituted for READ_TEMPERATURE_1 if the associated T_SENSE network fails to detect a valid temperature. Under these conditions MFR_TEMP_1_GAIN and MFR_TEMP_1_OFFSET will have no effect. See READ_TEMPERATURE_1 for more information.

MFR_TEMP_1_GAIN Data Contents

| BIT(S) | SYMBOL | OPERATION |
|---------|-----------------------|-----------------------------------------------------------------------------------------------------------------------------------------------------------------------------------------------------------------------------------------------|
| b[15:0] | Mfr_temp_1_gain[15:0] | 16-bit integer representing inverse of temperature non-ideality factor. Value = $Y \cdot 2^{14}$ where $Y = b[15:0]$ is an unsigned integer. Example: MFR_TEMP_1_GAIN = 1.0 For b[15:0] = 0x4000 Value = $16384 \cdot 2^{-14} = 1.0$ |

MFR_T_SELF_HEAT, MFR_IOUT_CAL_GAIN_TAU_INV and MFR_IOUT_CAL_GAIN_THETA

The LTC2975 uses an innovative (patent pending) algorithm to dynamically model the temperature rise from the external temperature sensor to the inductor core. This temperature rise is called MFR_T_SELF_HEAT and is used to calculate the final temperature correction required by IOUT_CAL_GAIN. The temperature rise is a function of the power dissipated in the inductor DCR, the thermal resistance from the inductor core to the remote temperature sensor and the thermal time constant of the inductor to board system. The algorithm simplifies the placement requirements for the external temperature sensor and compensates for the significant steady state and transient temperature error from the inductor core to the primary inductor heat sink.



- P_l = CURRENT REPRESENTING THE POWER DISSIPATED BY THE INDUCTOR ($V_{\text{DCR}} \cdot \text{READ_IOUT}$ WHERE $V_{\text{DCR}} = (V_{\text{ISENSEP}} - V_{\text{ISENSM}})$)
- C_τ = CAPACITANCE REPRESENTING THERMAL HEAT CAPACITY OF THE INDUCTOR (INCLUDED IN MFR_IOUT_CAL_GAIN_TAU_INV)
- T_l = VOLTAGE REPRESENTING THE TEMPERATURE OF THE INDUCTOR
- θ_{IS} = RESISTANCE REPRESENTING THE THERMAL RESISTANCE FROM THE DCR TO THE REMOTE TEMPERATURE SENSOR (MFR_IOUT_CAL_GAIN_THETA)
- T_S = VOLTAGE REPRESENTING THE TEMPERATURE AT THE REMOTE TEMPERATURE SENSOR

2975 F21

Figure 21. Electronic Analogy for Inductor Temperature Model

PMBUS COMMAND DESCRIPTION

The best way to understand the self-heating effect inside the inductor is to model the system using the circuit analogy of Figure 21. The 1st order differential equation for the above model may be approximated by the following difference equation:

$$P_I - T_I/\theta_{IS} = C_\tau \Delta T_I/\Delta t \text{ (Eq1) (when } T_S = 0)$$

from which:

$$\Delta T_I = \Delta t (P_I \theta_{IS} - T_I)/(\theta_{IS} C_\tau) \text{ (Eq2) or}$$

$$\Delta T_I = (P_I \theta_{IS} - T_I) \cdot \tau_{INV} \text{ (Eq3)}$$

where

$$\tau_{INV} = \Delta t/(\theta_{IS} C_\tau) \text{ (Eq4)}$$

and Δt is the sample period of the external temperature ADC.

The LTC2975 implements the self-heating algorithm using Eq3 and Eq4 where:

$$\Delta T_I = \Delta MFR_T_SELF_HEAT$$

$$P_I = READ_IOUT \cdot (V_{ISENSEP} - V_{ISENSEM})$$

$$T_S = READ_TEMPERATURE_1$$

$$T_I = MFR_T_SELF_HEAT + T_S$$

$$\Delta t = 4 \cdot t_{CONV_SENSE} \text{ (One complete external temperature loop period)}$$

$$\tau_{INV} = MFR_IOUT_CAL_GAIN_TAU_INV$$

$$\theta_{IS} = MFR_IOUT_CAL_GAIN_THETA$$

Initially self heat is set to zero. After each temperature measurement self heat is updated to be the previous value of self heat incremented or decremented by $\Delta MFR_T_SELF_HEAT$.

The actual value of C_τ is not required. The important quantity is the thermal time constant $\tau_{INV} = (\theta_{IS} C_\tau)$. For example, if an inductor has a thermal time constant $\tau_{INV} = 5$ seconds then:

$$MFR_IOUT_CAL_GAIN_TAU_INV = (4 \cdot t_{CONV_SENSE})/5 = 4 \cdot 66\text{ms}/5\text{s} = 0.0528$$

Refer to the application section for more information on calibrating θ_{IS} and τ_{INV} .

READ_TEMPERATURE_2 is substituted for READ_TEMPERATURE_1 if the associated T_{SENSE} network fails to detect a valid temperature. Under these conditions $T_S = READ_TEMPERATURE_2$ and the self-heating correction is applied using the internal die temperature. See READ_TEMPERATURE_1 for more information.

MFR_T_SELF_HEAT Data Content

| Bit(s) | Symbol | Operation |
|---------|-----------------|----------------------------------------------|
| b[15:0] | Mfr_t_self_heat | Values are limited to the range 0°C to 50°C. |

MFR_IOUT_CAL_GAIN_THETA Data Content

| Bit(s) | Symbol | Operation |
|---------|-------------------------|----------------------------------------------|
| b[15:0] | Mfr_iout_cal_gain_theta | Values ≤ 0 set MFR_T_SELF_HEAT to zero. |

PMBUS COMMAND DESCRIPTION

MFR_IOUT_CAL_GAIN_TAU_INV Data Content

| Bit(s) | Symbol | Operation |
|---------|---------------------------|---------------------------------------------------------------------------------------------------------------------------------------------------------------------------|
| b[15:0] | Mfr_iout_cal_gain_tau_inv | Values ≤ 0 set MFR_T_SELF_HEAT to zero. Values ≥ 1 set MFR_T_SELF_HEAT to $MFR_IOUT_CAL_GAIN_THETA \cdot READ_IOUT \cdot (V_{ISENSEP} - V_{ISENSEM})$. |

SEQUENCING TIMING LIMITS AND CLOCK SHARING

| COMMAND NAME | CMD CODE | DESCRIPTION | TYPE | PAGED | FORMAT | UNITS | EEPROM | DEFAULT VALUE | REF PAGE |
|---------------------|----------|-----------------------------------------------------------------------------------------------------------------------------------------------------------------------|----------|-------|--------|-------|--------|----------------|--------------------|
| TON_DELAY | 0x60 | Time from CONTROL pin and/or OPERATION command = ON to V _{OUT_EN} pin = ON. | R/W Word | Y | L11 | mS | Y | 1.0 0xBA00 | 56 |
| TON_RISE | 0x61 | Time from when the V _{OUT_ENn} pin goes high until the LTC2975 optionally soft-connects its DAC and begins to servo the output voltage to the desired value. | R/W Word | Y | L11 | mS | Y | 10.0 0xD280 | 56 |
| TON_MAX_FAULT_LIMIT | 0x62 | Maximum time from V _{OUT_EN} pin on assertion that an UV condition will be tolerated before a TON_MAX_FAULT condition results. | R/W Word | Y | L11 | mS | Y | 15.0 0xD3C0 | 56 |
| TOFF_DELAY | 0x64 | Time from CONTROL pin and/or OPERATION command = OFF to V _{OUT_EN} pin = OFF. | R/W Word | Y | L11 | mS | Y | 1.0 0xBA00 | 56 |
| MFR_RESTART_DELAY | 0xDC | Delay from actual CONTROL active edge to virtual CONTROL active edge. | R/W Word | N | L11 | mS | Y | 400 0xFB20 | 57 |

TON_DELAY, TON_RISE, TON_MAX_FAULT_LIMIT and TOFF_DELAY

These commands share the same format and provide sequencing and timer fault and warning delays in ms.

TON_DELAY sets the amount of time in milliseconds that a channel waits following the start of an ON sequence before its V_{OUT_EN} pin enables a DC/DC converter. This delay is counted using SHARE_CLK only.

TON_RISE sets the amount of time in ms that elapses after the power supply has been enabled until the LTC2975's DAC soft connects and servos the output voltage to the desired level if Mfr_dac_mode = 00b. This delay is counted using SHARE_CLK only.

TON_MAX_FAULT_LIMIT is the maximum amount of time that the power supply being controlled by the LTC2975 can attempt to power up the output without reaching the V_{OUT_UV_FAULT_LIMIT}. If it does not, then a TON_MAX_FAULT is declared. If the output reaches V_{OUT_UV_FAULT_LIMIT} prior to TON_MAX_FAULT_LIMIT, the LTC2975 unmask the V_{OUT_UV_FAULT_LIMIT} threshold. (Note that a value of zero means there is no limit to how long the power supply can attempt to bring up its output voltage.) This delay is counted using SHARE_CLK only.

TOFF_DELAY is the amount of time that elapses after the CONTROL pin and/or OPERATION command is de-asserted until the channel is disabled (soft-off). This delay is counted using SHARE_CLK if available, otherwise the internal oscillator is used.

All of the above TON and TOFF delays are internally limited to 655ms, and rounded to the nearest 10 μ s. The read value of these commands always returns what was last written and does not reflect internal limiting.

PMBUS COMMAND DESCRIPTION

MFR_RESTART_DELAY

This command essentially sets the off time of a CONTROL pin initiated restart. If the CONTROL pin is toggled off for at least 10 μ s then on, all dependent channels are disabled, held off for a time = Mfr_restart_delay, then sequenced back on. CONTROL pin transitions whose OFF time exceeds Mfr_restart_delay are not affected by this command. A value of all zeros disables this feature. This delay is counted using SHARE_CLK only.

This delay is internally limited to 13.1 seconds, and rounded to the nearest 200 μ s. The read value of this command always returns what was last written and does not reflect internal limiting.

Clock Sharing

Multiple LTC PMBus devices can synchronize their clocks in an application by connecting together the open-drain SHARE_CLK input/outputs to a pull-up resistor as a wired OR. In this case the fastest clock will take over and synchronize all other chips to its falling edge.

SHARE_CLK can optionally be used to synchronize ON/OFF dependency on V_{IN} across multiple chips by setting the Mfr_config_all_vin_share_enable bit of the MFR_CONFIG_ALL register. When configured this way the chip will hold SHARE_CLK low when the unit is off for insufficient input voltage, and upon detecting that SHARE_CLK is held low the chip will disable all channels after a brief deglitch period. When the SHARE_CLK pin is allowed to rise, the chip will respond by beginning a start sequence. In this case the slowest VIN_ON detection will take over and synchronize other chips to its start sequence.

WATCHDOG TIMER AND POWER GOOD

| COMMAND NAME | CMD CODE | DESCRIPTION | TYPE | PAGED | FORMAT | UNITS | EEPROM | DEFAULT VALUE | REF PAGE |
|-------------------------------|----------|-----------------------------------------------------------------------------------------------|----------|-------|--------|-------|--------|---------------|--------------------|
| MFR_PWRGD_EN | 0xD4 | Configuration that maps WDI/RESETB status and individual channel power good to the PWRGD pin. | R/W Word | N | Reg | | Y | 0x0000 | 57 |
| MFR_POWERGOOD_ASSERTION_DELAY | 0xE1 | Power-good output assertion delay. | R/W Word | N | L11 | mS | Y | 100 0xEB20 | 58 |
| MFR_WATCHDOG_T_FIRST | 0xE2 | First watchdog timer interval. | R/W Word | N | L11 | mS | Y | 0 0x8000 | 58 |
| MFR_WATCHDOG_T | 0xE3 | Watchdog timer interval. | R/W Word | N | L11 | mS | Y | 0 0x8000 | 58 |

MFR_PWRGD_EN

This command register controls the mapping of the watchdog and channel power good status to the PWRGD pin.

MFR_PWRGD_EN Data Contents

| BIT(S) | SYMBOL | OPERATION |
|---------|--------------------|----------------------------------------------------------------------------------------------------------------------------------------------------------------------------------------------------------------------------------|
| b[15:9] | Reserved | Read only, always returns 0s. |
| b[8] | Mfr_pwrgd_en_wdog | Watchdog. 1 = Watchdog timer not-expired status is ANDed with PWRGD status for any similarly enabled channels to determine when the PWRGD pin gets asserted. 0 = Watchdog timer does not affect the PWRGD pin. |
| b[7:4] | Reserved | Always returns 0000b. |
| b[3] | Mfr_pwrgd_en_chan3 | Channel 3. 1 = PWRGD status for this channel is ANDed with PWRGD status for any similarly enabled channels to determine when the PWRGD pin gets asserted. 0 = PWRGD status for this channel does not affect the PWRGD pin. |

2975f

PMBUS COMMAND DESCRIPTION

MFR_PWRGD_EN Data Contents

| BIT(S) | SYMBOL | OPERATION |
|--------|--------------------|----------------------------------------------------------------------------------------------------------------------------------------------------------------------------------------------------------------------------------|
| b[2] | Mfr_pwrgd_en_chan2 | Channel 2. 1 = PWRGD status for this channel is ANDed with PWRGD status for any similarly enabled channels to determine when the PWRGD pin gets asserted. 0 = PWRGD status for this channel does not affect the PWRGD pin. |
| b[1] | Mfr_pwrgd_en_chan1 | Channel 1. 1 = PWRGD status for this channel is ANDed with PWRGD status for any similarly enabled channels to determine when the PWRGD pin gets asserted. 0 = PWRGD status for this channel does not affect the PWRGD pin. |
| b[0] | Mfr_pwrgd_en_chan0 | Channel 0. 1 = PWRGD status for this channel is ANDed with PWRGD status for any similarly enabled channels to determine when the PWRGD pin gets asserted. 0 = PWRGD status for this channel does not affect the PWRGD pin. |

MFR_POWERGOOD_ASSERTION_DELAY

This command register allows the user to program the delay from when the internal power-good signal becomes valid until the power-good output is asserted. This delay is counted using SHARE_CLK if available, otherwise the internal oscillator is used. This delay is internally limited to 13.1 seconds, and rounded to the nearest 200 μ s. The read value of this command always returns what was last written and does not reflect internal limiting.

The power good de-assertion delay and threshold source is controlled by Mfr_config_all_pwrgd_off_uses_uv. Systems that require a fast power good de-assertion should set Mfr_config_all_pwrgd_off_uses_uv = 1. This uses the VOUT_UV_FAULT_LIMIT and the high speed comparator to de-assert the PWRGD pin. Systems that require a separate power good off threshold should set Mfr_config_all_pwrgd_off_uses_uv = 0. This uses the slower ADC polling loop and POWER_GOOD_OFF to de-assert the PWRGD pin.

Watchdog Operation

A non-zero write to the MFR_WATCHDOG_T register will reset the watchdog timer. Low-to-high transitions on the WDI/RESETB pin also reset the watchdog timer. If the timer expires, ALERTB is asserted and the PWRGD output is optionally de-asserted and then reasserted after MFR_PWRGD_ASSERTION_DELAY ms. Writing 0 to either the MFR_WATCH_DOG_T or MFR_WATCHDOG_T_FIRST registers will disable the timer.

MFR_WATCHDOG_T_FIRST and MFR_WATCHDOG_T

The MFR_WATCHDOG_T_FIRST register allows the user to program the duration of the first watchdog timer interval following assertion of the PWRGD pin, assuming the PWRGD pin reflects the status of the watchdog timer. If assertion of PWRGD is not conditioned by the watchdog timer's status, then MFR_WATCHDOG_T_FIRST applies to the first timing interval after the timer is enabled. Writing a value of 0ms to the MFR_WATCHDOG_T_FIRST register disables the watchdog timer. This delay is internally limited to 65 seconds and rounded to the nearest 1ms.

The MFR_WATCHDOG_T register allows the user to program watchdog timer intervals subsequent to the MFR_WATCHDOG_T_FIRST timing interval. Writing a value of 0ms to the MFR_WATCHDOG_T register disables the watchdog timer. This delay is internally limited to 655ms and rounded to the nearest 10 μ s.

Both timers operate on an internal clock independent of SHARE_CLK. The read value of both commands always returns what was last written and does not reflect internal limiting.

PMBUS COMMAND DESCRIPTION

FAULT RESPONSES

| COMMAND NAME | CMD CODE | DESCRIPTION | TYPE | PAGED | FORMAT | UNITS | EEPROM | DEFAULT VALUE | REF PAGE |
|------------------------|----------|-----------------------------------------------------------------------------------------------------------------|----------|-------|--------|-------|--------|---------------|--------------------|
| VOUT_OV_FAULT_RESPONSE | 0x41 | Action to be taken by the device when an output overvoltage fault is detected. | R/W Byte | Y | Reg | | Y | 0x80 | 59 |
| VOUT_UV_FAULT_RESPONSE | 0x45 | Action to be taken by the device when an output undervoltage fault is detected. | R/W Byte | Y | Reg | | Y | 0x7F | 59 |
| IOUT_OC_FAULT_RESPONSE | 0x47 | Action to be taken by the device when an output overcurrent fault is detected. | R/W Byte | Y | Reg | | Y | 0x00 | 60 |
| IOUT_UC_FAULT_RESPONSE | 0x4C | Action to be taken by the device when an output undercurrent fault is detected. | R/W Byte | Y | Reg | | Y | 0x00 | 60 |
| OT_FAULT_RESPONSE | 0x50 | Action to be taken by the device when an overtemperature fault is detected on the external temperature sensor. | R/W Byte | Y | Reg | | Y | 0xB8 | 61 |
| UT_FAULT_RESPONSE | 0x54 | Action to be taken by the device when an undertemperature fault is detected on the external temperature sensor. | R/W Byte | Y | Reg | | Y | 0xB8 | 61 |
| VIN_OV_FAULT_RESPONSE | 0x56 | Action to be taken by the device when an input overvoltage fault is detected. | R/W Byte | N | Reg | | Y | 0x80 | 61 |
| VIN_UV_FAULT_RESPONSE | 0x5A | Action to be taken by the device when an input undervoltage fault is detected. | R/W Byte | N | Reg | | Y | 0x00 | 61 |
| TON_MAX_FAULT_RESPONSE | 0x63 | Action to be taken by the device when a TON_MAX_FAULT event is detected. | R/W Byte | Y | Reg | | Y | 0xB8 | 62 |
| MFR_RETRY_DELAY | 0xDB | Retry interval during FAULT retry mode. | R/W Word | N | L11 | mS | Y | 200 0xF320 | 62 |
| MFR_RETRY_COUNT | 0xF7 | Retry count for all faulted off conditions that enable retry. | R/W Byte | N | Reg | | Y | 0x07 | 62 |

Clearing Latched Faults

Latched faults are reset by toggling the CONTROL pin, using the OPERATION command, or removing and reapplying the bias voltage to the V_{IN_SNS} pin. All fault and warning conditions result in the ALERTB pin being asserted low and the corresponding bits being set in the status registers. The CLEAR_FAULTS command resets the contents of the status registers and de-asserts the ALERTB output. The CLEAR_FAULTS does not clear a faulted off state nor allow a channel to turn back on.

VOUT_OV_FAULT_RESPONSE and VOUT_UV_FAULT_RESPONSE

The fault response documented here is for voltages that are measured by the high speed supervisor. These voltages are measured over a short period of time and may require a deglitch period. Note that in addition to the response described by these commands, the LTC2975 will also:

- Set the appropriate bit(s) in the STATUS_BYTE.
- Set the appropriate bit(s) in the STATUS_WORD.
- Set the appropriate bit in the corresponding STATUS_VOUT register, and
- Notify the host by pulling the ALERTB pin low.

PMBUS COMMAND DESCRIPTION

VOUT_OV_FAULT_RESPONSE and VOUT_UV_FAULT_RESPONSE Data Contents

| BIT(S) | SYMBOL | OPERATION |
|--------|-----------------------------------------------------------------|------------------------------------------------------------------------------------------------------------------------------------------------------------------------------------------------------------------------------------------------------------------------------------------------------------------------------------------------------------------------------------------------------------------------------------------------------------------------------------------------------------------------------------------------------------------------------------------------------------------------------------------------------------------------------------------------------------------|
| b[7:6] | Vout_ov_fault_response_action, Vout_uv_fault_response_action | <p>Response action:</p> <p>00b: The unit continues operation without interruption.</p> <p>01b: The unit continues operating for the delay time specified by bits[2:0] in increments of t_{S_VS}. See Electrical Characteristics Table. If the fault is still present at the end of the delay time, the unit shuts down immediately or sequences off after TOFF_DELAY (See Mfr_config_track_enn). After shutting down, the device responds according to the retry settings in bits [5:3].</p> <p>10b-11b: The unit shuts down immediately or sequences off after TOFF_DELAY (See Mfr_config_track_enn). After shutting down, the device responds according to the retry settings in bits [5:3].</p> |
| b[5:3] | Vout_ov_fault_response_retry, Vout_uv_fault_response_retry | <p>Response retry behavior:</p> <p>000b: A zero value for the retry setting means that the unit does not attempt to restart. The output remains disabled until the fault is cleared.</p> <p>001b-111b: The PMBus device attempts to restart the number of times specified by the global Mfr_retry_count[2:0] until it is commanded OFF (by the CONTROL pin or OPERATION command or both), bias power is removed, or another fault condition causes the unit to shut down.</p> <p>Changing the value might not take effect until the next off-then-on sequence on that channel.</p> |
| b[2:0] | Vout_ov_fault_response_delay, Vout_uv_fault_response_delay | <p>This sample count determines the amount of time a unit is to ignore a fault after it is first detected. Use this delay to deglitch fast faults.</p> <p>000b: There is no additional deglitch delay applied to fault detection.</p> <p>001b-111b: The fault is deglitched for deglitch period of b[2:0] samples at a sampling period of t_{S_VS} (12.2μs typical).</p> |

IOUT_OC_FAULT_RESPONSE and IOUT_UC_FAULT_RESPONSE

The fault response documented here is for currents that are measured by the high speed supervisor. These currents are measured over a short period of time and may require a deglitch period. Note that in addition to the response described by these commands, the LTC2975 will also:

- Set the appropriate bit in the STATUS_BYTE.
- Set the appropriate bit in the STATUS_WORD.
- Set the appropriate bit in the corresponding STATUS_IOUT register, and
- Notify the host by pulling the ALERTB pin low.

IOUT_OC_FAULT_RESPONSE and IOUT_UC_FAULT_RESPONSE Data Contents

| BIT(S) | SYMBOL | OPERATION |
|--------|-----------------------------------------------------------------|-----------------------------------------------------------------------------------------------------------------------------------------------------------------------------------------------------------------------------------------------------------------------------------------------------------------------------------------------------------------------------------------------------------------------------------------------------------------------------------------------------------------------------------------------------------------------------------------------------------------------------------------------------------------------------------------------------------------------------------------------------------------------------------------------------------------------------------------------------|
| b[7:6] | Iout_oc_fault_response_action, Iout_uc_fault_response_action | <p>Response action:</p> <p>00b and 01b: The unit continues operation without interruption. Note that the current will not be limited to the value of Iout_oc_fault_limit or Iout_uc_fault_limit.</p> <p>10b: The unit continues operating for the delay time specified by bits [2:0]. If the fault is still present at the end of the delay time, the unit shuts down immediately or sequences off after TOFF_DELAY (See Mfr_config_track_enn). After shutting down, the device responds according to the retry settings in bits [5:3]. Note that the current will not be limited to the value of Iout_oc_fault_limit or Iout_uc_fault_limit.</p> <p>11b: The unit shuts down immediately or sequences off after TOFF_DELAY (See Mfr_config_track_enn). After shutting down, the device responds according to the retry settings in bits [5:3].</p> |

PMBUS COMMAND DESCRIPTION

IOUT_OC_FAULT_RESPONSE and IOUT_UC_FAULT_RESPONSE Data Contents

| BIT(S) | SYMBOL | OPERATION | | | | | | | | | | | | | | | | |
|--------|---------------------------------------------------------------|--------------------------------------------------------------------------------------------------------------------------------------------------------------------------------------------------------------------------------------------------------------------------------------------------------------------------------------------------------------------------------------------------------------------------------------------------------------------------------------------------------------------------------------------------------------------------------------------------------------------------------------------------------------------------------------------------------------------------------------|--------|-------------------|------|-------|------|-----|------|-----|------|------|------|------|------|------|------|-------|
| b[5:3] | lout_oc_fault_response_retry, lout_uc_fault_response_retry | <p>Response retry behavior:</p> <p>000b: A zero value for the retry setting means that the unit does not attempt to restart. The output remains disabled until the fault is cleared.</p> <p>001-111b: The PMBus device attempts to restart the number of times specified by the global Mfr_retry_count[2:0] until it is commanded off (by the control pin or operation command or both), bias power is removed, or another fault condition causes the unit to shut down.</p> <p>Changing the value might not take effect until the next off-then-on sequence on that channel.</p> | | | | | | | | | | | | | | | | |
| b[2:0] | lout_oc_fault_response_delay, lout_uc_fault_response_delay | <p>This sample count determines the amount of time a unit is to ignore a fault after it is first detected. Use this delay to deglitch fast faults.</p> <p>000b: There is no additional deglitch delay applied to fault detection.</p> <p>001b-111b: The fault is deglitched for the interval selected by b[2:0] as follows.</p> <table border="1"> <thead> <tr> <th>b[2:0]</th> <th>Deglitch interval</th> </tr> </thead> <tbody> <tr> <td>001b</td> <td>100µs</td> </tr> <tr> <td>010b</td> <td>1ms</td> </tr> <tr> <td>011b</td> <td>5ms</td> </tr> <tr> <td>100b</td> <td>10ms</td> </tr> <tr> <td>101b</td> <td>20ms</td> </tr> <tr> <td>110b</td> <td>50ms</td> </tr> <tr> <td>111b</td> <td>100ms</td> </tr> </tbody> </table> | b[2:0] | Deglitch interval | 001b | 100µs | 010b | 1ms | 011b | 5ms | 100b | 10ms | 101b | 20ms | 110b | 50ms | 111b | 100ms |
| b[2:0] | Deglitch interval | | | | | | | | | | | | | | | | | |
| 001b | 100µs | | | | | | | | | | | | | | | | | |
| 010b | 1ms | | | | | | | | | | | | | | | | | |
| 011b | 5ms | | | | | | | | | | | | | | | | | |
| 100b | 10ms | | | | | | | | | | | | | | | | | |
| 101b | 20ms | | | | | | | | | | | | | | | | | |
| 110b | 50ms | | | | | | | | | | | | | | | | | |
| 111b | 100ms | | | | | | | | | | | | | | | | | |

OT_FAULT_RESPONSE, UT_FAULT_RESPONSE, VIN_OV_FAULT_RESPONSE and VIN_UV_FAULT_RESPONSE

The fault response documented here is for values that are measured by the ADC. Note that in addition to the response described by these commands, the LTC2975 will also:

- Set the appropriate bit(s) in the STATUS_BYTE.
- Set the appropriate bit(s) in the STATUS_WORD.
- Set the appropriate bit in the corresponding STATUS_VIN or STATUS_TEMPERATURE register, and
- Notify the host by pulling the ALERTB pin low.

OT_FAULT_RESPONSE, UT_FAULT_RESPONSE, VIN_OV_FAULT_RESPONSE, VIN_UV_FAULT_RESPONSE Data Contents

| BIT(S) | SYMBOL | OPERATION |
|--------|-------------------------------------------------------------------------------------------------------------------------|------------------------------------------------------------------------------------------------------------------------------------------------------------------------------------------------------------------------------------------------------------------------------------------------------------------------------------------------------------------------------------------------------------------------------------------------------------------------------------------------------------------------------------------------------------------------------------|
| b[7:6] | Ot_fault_response_action, Ut_fault_response_action, Vin_ov_fault_response_action, Vin_uv_fault_response_action | <p>Response action:</p> <p>00b: The unit continues operation without interruption.</p> <p>01b-11b: The unit shuts down immediately or sequences off after TOFF_DELAY (See Mfr_config_track_enr). After shutting down, the device responds according to the retry settings in bits [5:3].</p> |
| b[5:3] | Ot_fault_response_retry, Ut_fault_response_retry, Vin_ov_fault_response_retry, Vin_uv_fault_response_retry | <p>Response retry behavior:</p> <p>000b: A zero value for the retry setting means that the unit does not attempt to restart. The output remains disabled until the fault is cleared.</p> <p>001b-111b: The PMBus device attempts to restart the number of times specified by the global Mfr_retry_count[2:0] until it is commanded OFF (by the CONTROL pin or OPERATION command or both), bias power is removed, or another fault condition causes the unit to shut down.</p> <p>Changing the value might not take effect until the next off-then-on sequence on that channel.</p> |
| b[2:0] | Ot_fault_response_delay, Ut_fault_response_delay, Vin_ov_fault_response_delay, Vin_uv_fault_response_delay | Hard coded to 000b: There is no additional deglitch delay applied to fault detection. |

PMBUS COMMAND DESCRIPTION

TON_MAX_FAULT_RESPONSE

This command defines the LTC2975 response to a TON_MAX_FAULT. It may be used to protect against a short-circuited output at startup. After startup use VOUT_UV_FAULT_RESPONSE to protect against a short-circuited output.

The device also:

- Sets the HIGH_BYTE bit in the STATUS_BYTE,
- Sets the VOUT bit in the STATUS_WORD,
- Sets the TON_MAX_FAULT bit in the STATUS_VOUT register, and
- Notifies the host by asserting ALERTB.

TON_MAX_FAULT_RESPONSE Data Contents

| BIT(S) | SYMBOL | OPERATION |
|--------|-------------------------------|-----------------------------------------------------------------------------------------------------------------------------------------------------------------------------------------------------------------------------------------------------------------------------------------------------------------------------------------------------------------------------------------------------------------------------------------------------------------------------------------------------------------------------------------------------------------|
| b[7:6] | Ton_max_fault_response_action | Response action: 00b: The unit continues operation without interruption. 01b-11b: The unit shuts down immediately or sequences off after TOFF_DELAY (See Mfr_config_track_enr). After shutting down, the device responds according to the retry settings in bits [5:3]. |
| b[5:3] | Ton_max_fault_response_retry | Response retry behavior: 000b: A zero value for the retry setting means that the unit does not attempt to restart. The output remains disabled until the fault is cleared. 001b-111b: The PMBus device attempts to restart the number of times specified by the global Mfr_retry_count[2:0] until it is commanded OFF (by the CONTROL pin or OPERATION command or both), bias power is removed, or another fault condition causes the unit to shut down. Changing the value might not take effect until the next off-then-on sequence on that channel. |
| b[2:0] | Ton_max_fault_response_delay | Hard coded to 000b: There is no additional deglitch delay applied to fault detection. |

MFR_RETRY_DELAY

This command determines the retry interval when the LTC2975 is in retry mode in response to a fault condition. This delay is counted using SHARE_CLK only. This delay is internally limited to 13.1 seconds, and rounded to the nearest 200µs. The read value of this command always returns what was last written and does not reflect internal limiting.

MFR_RETRY_COUNT

The MFR_RETRY_COUNT is a global command that sets the number of retries attempted when any channel faults off with its fault response retry field set to a non zero value.

In the event of multiple or recurring retry faults on the same channel the total number of retries equals MFR_RETRY_COUNT. If a channel has not been faulted off for at least 16 seconds, its retry counter is cleared. Toggling a channel's CONTROL pin off then on or issuing OPERATION off then on commands will synchronously clear the retry count.

MFR_RETRY_COUNT Data Contents

| BIT(S) | SYMBOL | OPERATION |
|--------|-----------------------|--------------------------------------------------------------------------------------------------------------------------------------------------------------------|
| b[7:3] | Reserved | Always returns zero. |
| b[2:0] | Mfr_retry_count [2:0] | 0: No retries: 1-6: Number of retries. 7: Infinite retries. Changing the value might not take effect until the next off-then-on sequence on that channel. |

PMBUS COMMAND DESCRIPTION

SHARED EXTERNAL FAULTS

| COMMAND NAME | CMD CODE | DESCRIPTION | TYPE | PAGED | FORMAT | UNITS | EEPROM | DEFAULT VALUE | REF PAGE |
|-----------------------|----------|-------------------------------------------------------------------------------------------------|----------|-------|--------|-------|--------|---------------|--------------------|
| MFR_FAULTB0_PROPAGATE | 0xD2 | Configuration that determines if a channels faulted off state is propagated to the FAULTB0 pin. | R/W Byte | Y | Reg | | Y | 0x00 | 63 |
| MFR_FAULTB1_PROPAGATE | 0xD3 | Configuration that determines if a channels faulted off state is propagated to the FAULTB1 pin. | R/W Byte | Y | Reg | | Y | 0x00 | 63 |
| MFR_FAULTB0_RESPONSE | 0xD5 | Action to be taken by the device when the FAULTB0 pin is asserted low. | R/W Byte | N | Reg | | Y | 0x00 | 63 |
| MFR_FAULTB1_RESPONSE | 0xD6 | Action to be taken by the device when the FAULTB1 pin is asserted low. | R/W Byte | N | Reg | | Y | 0x00 | 63 |

MFR_FAULTB0_PROPAGATE and MFR_FAULTB1_PROPAGATE

These manufacturer specific commands enable channels that have faulted off to propagate that state to the appropriate fault pin. MFR_FAULTB0_PROPAGATE allows any channel's faulted off state to propagate to the FAULTB0 pin. MFR_FAULTB1_PROPAGATE allows any channel's faulted off state to propagate to the FAULTB1 pin.

Note that pulling a fault pin low will have no effect for channels that have MFR_FAULTBn_RESPONSE set to 0. The channel continues operation without interruption. This fault response is called Ignore (0x0) in LTpowerPlay.

MFR_FAULT0_PROPAGATE Data Contents

| BIT(S) | SYMBOL | OPERATION |
|--------|-----------------------|-------------------------------------------------------------------------------------------------------------------------------------------------|
| b[7:1] | Reserved | Don't care. Always returns 0. |
| b[0] | Mfr_faultb0_propagate | Enable fault propagation. 0: Channel's faulted off state does not assert FAULTB0 low. 1: Channel's faulted off state asserts FAULTB0 low. |

MFR_FAULT1_PROPAGATE Data Contents

| BIT(S) | SYMBOL | OPERATION |
|--------|-----------------------|-------------------------------------------------------------------------------------------------------------------------------------------------|
| b[7:1] | Reserved | Don't care. Always returns 0. |
| b[0] | Mfr_faultb1_propagate | Enable fault propagation. 0: Channel's faulted off state does not assert FAULTB1 low. 1: Channel's faulted off state asserts FAULTB1 low. |

MFR_FAULTB0_RESPONSE and MFR_FAULTB1_RESPONSE

These manufacturer specific commands share the same format and specify the response to assertions of the FAULTB pins. MFR_FAULTB0_RESPONSE determines which channels shut off when the FAULTB0 pin is asserted low and MFR_FAULTB1_RESPONSE determines which channels shut off when the FAULTB1 pin is asserted low. When a channel shuts off in response to a FAULTBn pin, the ALERTB pin is asserted low and the appropriate bit is set in the STATUS_MFR_SPECIFIC register. For a graphical explanation, see the switches on the left hand side of Figure 32: Channel Fault Management Block Diagram.

Faults will not propagate for channels that have MFR_FAULTBn_RESPONSE set to 0: The channel continues operation without interruption. Note that this fault response is called No Action in LTpowerPlay.

PMBUS COMMAND DESCRIPTION

MFR_FAULTB0_RESPONSE and MFR_FAULTB1_RESPONSE Data Contents

| BIT(S) | SYMBOL | OPERATION |
|--------|-----------------------------------------------------------|---------------------------------------------------------------------------------------------------------------------------------------------------------------------------------------------------------------------------------------------------------------------------------------------------|
| b[7:4] | Reserved | Read only, always returns 0000b. |
| b[3] | Mfr_faultb0_response_chan3, Mfr_faultb1_response_chan3 | Channel 3 response. 0: The channel continues operation without interruption 1: The channel shuts down if the corresponding FAULTB pin is still asserted after 10 μ s. When the FAULTB pin subsequently de-asserts, the channel turns back on, honoring TON_DELAY and TON_RISE settings. |
| b[2] | Mfr_faultb0_response_chan2, Mfr_faultb1_response_chan2 | Channel 2 response. 0: The channel continues operation without interruption 1: The channel shuts down if the corresponding FAULTB pin is still asserted after 10 μ s. When the FAULTB pin subsequently de-asserts, the channel turns back on, honoring TON_DELAY and TON_RISE settings. |
| b[1] | Mfr_faultb0_response_chan1, Mfr_faultb1_response_chan1 | Channel 1 response. 0: The channel continues operation without interruption 1: The channel shuts down if the corresponding FAULTB pin is still asserted after 10 μ s. When the FAULTB pin subsequently de-asserts, the channel turns back on, honoring TON_DELAY and TON_RISE settings. |
| b[0] | Mfr_faultb0_response_chan0, Mfr_faultb1_response_chan0 | Channel 0 response. 0: The channel continues operation without interruption 1: The channel shuts down if the corresponding FAULTB pin is still asserted after 10 μ s. When the FAULTB pin subsequently de-asserts, the channel turns back on, honoring TON_DELAY and TON_RISE settings. |

FAULT WARNING AND STATUS

| COMMAND NAME | CMD CODE | DESCRIPTION | TYPE | PAGED | FORMAT | UNITS | EEPROM | DEFAULT VALUE | REF PAGE |
|---------------------|----------|-----------------------------------------------------------------------|-----------|-------|--------|-------|--------|---------------|--------------------|
| CLEAR_FAULTS | 0x03 | Clear any fault bits that have been set. | Send Byte | Y | | | | NA | 64 |
| STATUS_BYTE | 0x78 | One byte summary of the unit's fault condition. | R Byte | Y | Reg | | | NA | 65 |
| STATUS_WORD | 0x79 | Two byte summary of the unit's fault condition. | R Word | Y | Reg | | | NA | 65 |
| STATUS_VOUT | 0x7A | Output voltage fault and warning status. | R Byte | Y | Reg | | | NA | 66 |
| STATUS_IOUT | 0x7B | Output current fault and warning status. | R Byte | Y | Reg | | | NA | 66 |
| STATUS_INPUT | 0x7C | Input supply fault and warning status. | R Byte | N | Reg | | | NA | 66 |
| STATUS_TEMPERATURE | 0x7D | External temperature fault and warning status for READ_TEMPERATURE_1. | R Byte | Y | Reg | | | NA | 67 |
| STATUS_CML | 0x7E | Communication and memory fault and warning status. | R Byte | N | Reg | | | NA | 67 |
| STATUS_MFR_SPECIFIC | 0x80 | Manufacturer specific fault and state information. | R Byte | Y | Reg | | | NA | 68 |
| MFR_PADS | 0xE5 | Current state of selected digital I/O pads. | R/W Word | N | Reg | | | NA | 68 |
| MFR_COMMON | 0xEF | Manufacturer status bits that are common across multiple LTC chips. | R Byte | N | Reg | | | NA | 69 |

CLEAR_FAULTS

The CLEAR_FAULTS command is used to clear status bits that have been set. This command clears all fault and warning bits in all unpagged status registers, and paged status registers selected by the current PAGE setting. At the same time, the device negates (clears, releases) its contribution to ALERTB.

The CLEAR_FAULTS command does not cause a unit that has latched off for a fault condition to restart. See Clearing Latched Faults for more information.

If the fault is present after the fault is cleared, the fault status bit will be set again and the host notified by the usual means.

Note: this command responds to the global page command. (PAGE=0xFF)

PMBUS COMMAND DESCRIPTION

STATUS_BYTE

The STATUS_BYTE command returns the summary of the most critical faults or warnings which have occurred, as shown in the following table. STATUS_BYTE is a subset of STATUS_WORD and duplicates the same information.

STATUS_BYTE Data Contents

| BIT(S) | SYMBOL | OPERATION |
|--------|-----------------------|--------------------------------|
| b[7] | Status_byte_busy | Same as Status_word_busy. |
| b[6] | Status_byte_off | Same as Status_word_off. |
| b[5] | Status_byte_vout_ov | Same as Status_word_vout_ov. |
| b[4] | Status_byte_iout_oc | Same as Status_word_iout_oc. |
| b[3] | Status_byte_vin_uv | Same as Status_word_vin_uv. |
| b[2] | Status_byte_temp | Same as Status_word_temp. |
| b[1] | Status_byte_cml | Same as Status_word_cml. |
| b[0] | Status_byte_high_byte | Same as Status_word_high_byte. |

STATUS_WORD

The STATUS_WORD command returns two bytes of information with a summary of the unit's fault condition. Based on the information in these bytes, the host can get more information by reading the appropriate detailed status register.

The low byte of the STATUS_WORD is the same register as the STATUS_BYTE command.

STATUS_WORD Data Contents

| BIT(S) | SYMBOL | OPERATION |
|--------|----------------------------|--------------------------------------------------------------------------------------------------------------------------------------------------------------------------------------------------------------|
| b[15] | Status_word_vout | An output voltage fault or warning has occurred. See STATUS_VOUT. |
| b[14] | Status_word_iout | An output current fault or warning has occurred. See STATUS_IOUT. |
| b[13] | Status_word_input | An input voltage fault or warning has occurred. See STATUS_INPUT. |
| b[12] | Status_word_mfr | A manufacturer specific fault has occurred. See STATUS_MFR_SPECIFIC. |
| b[11] | Status_word_power_not_good | The PWRGD pin, if enabled, is negated. Power is not good. |
| b[10] | Status_word_fans | Not supported. Always returns 0. |
| b[9] | Status_word_other | Not supported. Always returns 0. |
| b[8] | Status_word_unknown | Not supported. Always returns 0. |
| b[7] | Status_word_busy | Device busy when PMBus command received. See OPERATION: Processing Commands. |
| b[6] | Status_word_off | This bit is asserted if the unit is not providing power to the output, regardless of the reason, including simply not being enabled. The off-bit is clear if unit is allowed to provide power to the output. |
| b[5] | Status_word_vout_ov | An output overvoltage fault has occurred. |
| b[4] | Status_word_iout_oc | An output overcurrent fault has occurred. |
| b[3] | Status_word_vin_uv | A V_{IN} undervoltage fault has occurred. |
| b[2] | Status_word_temp | A temperature fault or warning has occurred. See STATUS_TEMPERATURE. |
| b[1] | Status_word_cml | A communication, memory or logic fault has occurred. See STATUS_CML. |
| b[0] | Status_word_high_byte | A fault/warning not listed in b[7:1] has occurred. |

PMBUS COMMAND DESCRIPTION

STATUS_VOUT

The STATUS_VOUT command returns the summary of the output voltage faults or warnings which have occurred, as shown in the following table:

STATUS_VOUT Data Contents

| BIT(S) | SYMBOL | OPERATION |
|--------|----------------------------|-------------------------------------------------------------------------------------------------------------------------------------------------------------------------------------------------------------------------------------------------------------------------------------------------------------------------------------------------------|
| b[7] | Status_vout_ov_fault | Overvoltage fault. |
| b[6] | Status_vout_ov_warn | Overvoltage warning. |
| b[5] | Status_vout_uv_warn | Undervoltage warning |
| b[4] | Status_vout_uv_fault | Undervoltage fault. |
| b[3] | Status_vout_max_warn | VOUT_MAX warning. An attempt has been made to set the output voltage to a value higher than allowed by the VOUT_MAX command. After being cleared, Status_vout_max_warn will not report additional warnings until a channel state transition (off-then-on) has been performed or a valid output voltage, lower than allowed by VOUT_MAX, has been set. |
| b[2] | Status_vout_ton_max_fault | TON_MAX_FAULT sequencing fault. |
| b[1] | Status_vout_toff_max_warn | Not supported. Always returns 0. |
| b[0] | Status_vout_tracking_error | Not supported. Always returns 0. |

STATUS_IOUT

The STATUS_IOUT command returns the summary of the output current faults or warnings which have occurred, as shown in the following table:

STATUS_IOUT Data Contents

| BIT(S) | SYMBOL | OPERATION |
|--------|------------------------------|----------------------------------|
| b[7] | Status_iout_oc_fault | Overcurrent fault. |
| b[6] | Status_iout_oc_uv_fault | Not Supported. Always returns 0. |
| b[5] | Status_iout_oc_warn | Overcurrent warning |
| b[4] | Status_iout_uc_fault | Undercurrent fault. |
| b[3] | Status_iout_curr_share_fault | Not Supported. Always returns 0. |
| b[2] | Status_pout_power_limiting | Not Supported. Always returns 0. |
| b[1] | Status_pout_overpower_fault | Not Supported. Always returns 0. |
| b[0] | Status_pout_overpower_warn | Not Supported. Always returns 0. |

STATUS_INPUT

The STATUS_INPUT command returns the summary of the V_{IN} faults or warnings which have occurred, as shown in the following table:

STATUS_INPUT Data Contents

| BIT(S) | SYMBOL | OPERATION |
|--------|-----------------------|---------------------------------------------|
| b[7] | Status_input_ov_fault | V_{IN} overvoltage fault |
| b[6] | Status_input_ov_warn | V_{IN} overvoltage warning |
| b[5] | Status_input_uv_warn | V_{IN} undervoltage warning |
| b[4] | Status_input_uv_fault | V_{IN} undervoltage fault |
| b[3] | Status_input_off | Unit is off for insufficient input voltage. |
| b[2] | IIN overcurrent fault | Not supported. Always returns 0. |

PMBUS COMMAND DESCRIPTION

STATUS_INPUT Data Contents

| BIT(S) | SYMBOL | OPERATION |
|--------|----------------------|----------------------------------|
| b[1] | IIN overcurrent warn | Not supported. Always returns 0. |
| b[0] | PIN overpower warn | Not supported. Always returns 0. |

STATUS_TEMPERATURE

The STATUS_TEMPERATURE command returns the summary of the temperature faults or warnings which have occurred, as shown in the following table. Note that this information is paged and refers to the temperature of the associated external diode.

STATUS_TEMPERATURE Data Contents

| BIT(S) | SYMBOL | OPERATION |
|--------|-----------------------------|-----------------------------|
| b[7] | Status_temperature_ot_fault | Overtemperature fault. |
| b[6] | Status_temperature_ot_warn | Overtemperature warning. |
| b[5] | Status_temperature_ut_warn | Undertemperature warning. |
| b[4] | Status_temperature_ut_fault | Undertemperature fault. |
| b[3] | Reserved | Reserved. Always returns 0. |
| b[2] | Reserved | Reserved. Always returns 0. |
| b[1] | Reserved | Reserved. Always returns 0. |
| b[0] | Reserved | Reserved. Always returns 0. |

STATUS_CML

The STATUS_CML command returns the summary of the communication, memory and logic faults or warnings which have occurred, as shown in the following table:

STATUS_CML Data Contents

| BIT(S) | SYMBOL | OPERATION |
|--------|----------------------------|--------------------------------------------------------------------------------------------------------------------------------------------------------------------------------------------------------------------------------------------------------------------------|
| b[7] | Status_cml_cmd_fault | 1 = An illegal or unsupported command fault has occurred. 0 = No fault has occurred. |
| b[6] | Status_cml_data_fault | 1 = Illegal or unsupported data received. 0 = No fault has occurred. |
| b[5] | Status_cml_pec_fault | 1 = A packet error check fault has occurred. Note: PEC checking is always active in the LTC2975. Any extra byte received before a STOP will set Status_cml_pec_fault unless the extra byte is a matching PEC byte. 0 = No fault has occurred. |
| b[4] | Status_cml_memory_fault | 1 = A fault has occurred in the EEPROM. 0 = No fault has occurred. |
| b[3] | Status_cml_processor_fault | Not supported, always returns 0. |
| b[2] | Reserved | Reserved, always returns 0. |
| b[1] | Status_cml_pmbus_fault | 1 = A communication fault other than ones listed in this table has occurred. This is a catch all category for illegally formed I ² C/SMBus commands (Example: An address byte with read =1 received immediately after a START). 0 = No fault has occurred. |
| b[0] | Status_cml_unknown_fault | Not supported, always returns 0. |

PMBUS COMMAND DESCRIPTION

STATUS_MFR_SPECIFIC

The STATUS_MFR_SPECIFIC command returns manufacturer specific status flags. Bits marked CHANNEL = All are not paged. Bits marked STICKY = Yes stay set until a CLEAR_FAULTS is issued or the channel is commanded on by the user. Bits marked ALERT = Yes pull ALERTB low when the bit is set. Bits marked OFF = Yes indicate that the event can be configured elsewhere to turn the channel off.

STATUS_MFR_SPECIFIC Data Contents

| BIT(S) | SYMBOL | OPERATION | CHANNEL | STICKY | ALERT | OFF |
|--------|----------------------------------|-------------------------------------------------------------------------------------------------------------------------------------------------------------------------------------------------------------------------------------------------------------------------------------------------------------------------------------------------------------------|--------------|--------|-------|-----|
| b[7] | Status_mfr_discharge | 1 = A V_{OUT} discharge fault occurred while attempting to enter the ON state. 0 = No V_{OUT} discharge fault has occurred. | Current Page | Yes | Yes | Yes |
| b[6] | Status_mfr_fault1_in | This channel attempted to turn on while the FAULTB1 pin was asserted low, or this channel has shut down at least once in response to a FAULTB1 pin asserting low since the last CONTROL pin toggle, OPERATION command ON/OFF cycle or CLEAR_FAULTS command. If Mfr_track_en_chann is set, Status_mfr_fault1_in may also be set for the channel causing the fault. | Current Page | Yes | Yes | Yes |
| b[5] | Status_mfr_fault0_in | This channel attempted to turn on while the FAULTB0 pin was asserted low, or this channel has shut down at least once in response to a FAULTB0 pin asserting low since the last CONTROL pin toggle, OPERATION command ON/OFF cycle or CLEAR_FAULTS command. If Mfr_track_en_chann is set, Status_mfr_fault0_in may also be set for the channel causing the fault. | Current Page | Yes | Yes | Yes |
| b[4] | Status_mfr_servo_target_reached | Servo target has been reached. | Current Page | No | No | No |
| b[3] | Status_mfr_dac_connected | DAC is connected and driving V_{DAC} pin. | Current Page | No | No | No |
| b[2] | Status_mfr_dac_saturated | A previous servo operation terminated with maximum or minimum DAC value. | Current Page | Yes | No | No |
| b[1] | Status_mfr_auxfaultb_faulted_off | AUXFAULTB has been de-asserted due to a V_{OUT} or I_{OUT} fault. | All | No | No | No |
| b[0] | Status_mfr_watchdog_fault | 1 = A watchdog fault has occurred. 0 = No watchdog fault has occurred. | All | Yes | Yes | No |

MFR_PADS

The MFR_PADS command provides read-only access of digital pads (pins). The input values are before any deglitching logic.

MFR_PADS Data Contents

| BIT(S) | SYMBOL | OPERATION |
|----------|----------------------------|----------------------------------------------------------------------------------------------------------------------------------------------------------------------------------|
| b[15] | Mfr_pads_pwrzd_drive | 0 = PWRGD pad is being driven low by this chip. 1 = PWRGD pad is not being driven low by this chip. |
| b[14] | Mfr_pads_alertb_drive | 0 = ALERTB pad is being driven low by this chip. 1 = ALERTB pad is not being driven low by this chip. |
| b[13:12] | Mfr_pads_faultb_drive[1:0] | bit[1] used for FAULTB0 pad, bit[0] used for FAULTB1 pad as follows: 0 = FAULTB pad is being driven low by this chip. 1 = FAULTB pad is not being driven low by this chip. |
| b[11:10] | Reserved[1:0] | Always returns 00b. |
| b[9:8] | Mfr_pads_asel1[1:0] | 11: Logic high detected on ASEL1 input pad. 10: ASEL1 input pad is floating. 01: Reserved. 00: Logic low detected on ASEL1 input pad. |

PMBUS COMMAND DESCRIPTION

MFR_PADS Data Contents

| BIT(S) | SYMBOL | OPERATION |
|--------|----------------------|-------------------------------------------------------------------------------------------------------------------------------------------------------|
| b[7:6] | Mfr_pads_asel0[1:0] | 11: Logic high detected on ASELO input pad. 10: ASELO input pad is floating. 01: Reserved. 00: Logic low detected on ASELO input pad. |
| b[5] | Mfr_pads_control1 | 1: Logic high detected on CONTROL1 pad. 0: Logic low detected on CONTROL1 pad. |
| b[4] | Mfr_pads_control0 | 1: Logic high detected on CONTROL0 pad. 0: Logic low detected on CONTROL0 pad. |
| b[3:2] | Mfr_pads_faultb[1:0] | bit[1] used for FAULTB0 pad, bit[0] used for FAULTB1 pad as follows: 1: Logic high detected on FAULTB pad. 0: Logic low detected on FAULTB pad. |
| b[1] | Mfr_pads_control2 | 1: Logic high detected on CONTROL2 pad. 0: Logic low detected on CONTROL2 pad. |
| b[0] | Mfr_pads_control3 | 1: Logic high detected on CONTROL3 pad. 0: Logic low detected on CONTROL3 pad. |

MFR_COMMON

This command returns status information for the alert, device busy, share-clock pin (SHARE_CLK) and the write-protect pin (WP).

This is the only command that may still be read when the LTC2975 is busy processing an EEPROM or other command. It may be polled by the host to determine when the LTC2975 is available to process a PMBus command. A busy device will always acknowledge its address but will NACK the command byte and set Status_byte_busy and Status_word_busy when it receives a command that it cannot immediately process. ALERTB will not be asserted low in this case.

MFR_COMMON Data Contents

| BIT(S) | SYMBOL | OPERATION |
|--------|--------------------------|---------------------------------------------------------------------------------------------------------------------------------------------|
| b[7] | Mfr_common_alertb | Returns alert status. 1: ALERTB is de-asserted high. 0: ALERTB is asserted low. |
| b[6] | Mfr_common_busyb | Returns device busy status. 1: The device is available to process PMBus commands. 0: The device is busy and will NACK PMBus commands. |
| b[5:2] | Reserved | Read only, always returns 1s. |
| b[1] | Mfr_common_share_clk | Returns the status of the share-clock pin. 1: Share-clock pin is being held low. 0: Share-clock pin is active. |
| b[0] | Mfr_common_write_protect | Returns the status of the write-protect pin. 1: Write-protect pin is high. 0: Write-protect pin is low. |

PMBUS COMMAND DESCRIPTION

TELEMETRY

| COMMAND NAME | CMD CODE | DESCRIPTION | TYPE | PAGED | FORMAT | UNITS | EEPROM | DEFAULT VALUE | REF PAGE |
|------------------------|----------|------------------------------------------------------------------------------------------------------------------------------|--------|-------|--------|--------|--------|---------------|--------------------|
| READ_VIN | 0x88 | Input supply voltage. | R Word | N | L11 | V | | NA | 70 |
| READ_IIN | 0x89 | DC/DC converter input current. | R Word | Y | L11 | A | | NA | 70 |
| READ_PIN | 0x97 | DC/DC converter input power. | R Word | Y | L11 | W | | NA | 70 |
| READ_VOUT | 0x8B | DC/DC converter output voltage. | R Word | Y | L16 | V | | NA | 70 |
| READ_IOUT | 0x8C | DC/DC converter output current. | R Word | Y | L11 | A | | NA | 71 |
| READ_TEMPERATURE_1 | 0x8D | External diode junction temperature. This is the value used for all temperature related processing, including IOUT_CAL_GAIN. | R Word | Y | L11 | °C | | NA | 71 |
| READ_TEMPERATURE_2 | 0x8E | Internal junction temperature. | R Word | N | L11 | °C | | NA | 71 |
| READ_POUT | 0x96 | DC/DC converter output power. | R Word | Y | L11 | W | | NA | 71 |
| MFR_READ_IOUT | 0xBB | Alternate data format for READ_IOUT. One LSB = 2.5mA. | R Word | Y | CF | 2.5mA | | NA | 72 |
| MFR_IIN_PEAK | 0xC4 | Maximum measured value of READ_IIN | R Word | Y | L11 | A | | NA | 71 |
| MFR_IIN_MIN | 0xC5 | Minimum measured value of READ_IIN. | R Word | Y | L11 | A | | NA | 71 |
| MFR_PIN_PEAK | 0xC6 | Maximum measured value of READ_PIN. | R Word | Y | L11 | W | | NA | 71 |
| MFR_PIN_MIN | 0xC7 | Minimum measured value of READ_PIN. | R Word | Y | L11 | W | | NA | 71 |
| MFR_IOUT_SENSE_VOLTAGE | 0xFA | Absolute value of VISENSEP – VISENSEM. One LSB = 3.05µV. | R Word | Y | CF | 3.05µV | | NA | 73 |
| MFR_VIN_PEAK | 0xDE | Maximum measured value of READ_VIN. | R Word | N | L11 | V | | NA | 73 |
| MFR_VOUT_PEAK | 0xDD | Maximum measured value of READ_VOUT. | R Word | Y | L16 | V | | NA | 73 |
| MFR_IOUT_PEAK | 0xD7 | Maximum measured value of READ_IOUT. | R Word | Y | L11 | A | | NA | 73 |
| MFR_TEMPERATURE_1_PEAK | 0xDF | Maximum measured value of READ_TEMPERATURE_1. | R Word | Y | L11 | °C | | NA | 73 |
| MFR_VIN_MIN | 0xFC | Minimum measured value of READ_VIN. | R Word | N | L11 | V | | NA | 73 |
| MFR_VOUT_MIN | 0xFB | Minimum measured value of READ_VOUT. | R Word | Y | L16 | V | | NA | 73 |
| MFR_IOUT_MIN | 0xD8 | Minimum measured value of READ_IOUT. | R Word | Y | L11 | A | | NA | 73 |
| MFR_TEMPERATURE_1_MIN | 0xFD | Minimum measured value of READ_TEMPERATURE_1. | R Word | Y | L11 | °C | | NA | 74 |

READ_VIN

This command returns the most recent ADC measured value of the input voltage at the V_{IN_SNS} pin.

READ_IIN

This command returns the most recent ADC measured value of the input current derived from the voltage difference between the IIN_SNSP and IIN_SNSM pins. The READ_IIN value reported is automatically corrected to account for the range selected by Mfr_ein_config_iin_range[1:0].

READ_PIN

This command returns the most recent ADC measured value of the input power in watts. This is the product of READ_IIN and READ_VIN.

READ_VOUT

This command returns the most recent ADC measured value of the channel's output voltage.

PMBUS COMMAND DESCRIPTION

READ_IOUT

This command returns the most recent ADC measured value of the channel's output current.

MFR_IIN_PEAK

This command returns the maximum ADC measured value of the input current. This register is reset to 0x7C00 (-2^{25}) when the LTC2975 emerges from power-on reset or when a CLEAR_FAULTS command is executed.

MFR_IIN_MIN

This command returns the minimum ADC measured value of the input current. This register is reset to 0x7BFF (approximately 2^{25}) when the LTC2975 emerges from power-on reset or when a CLEAR_FAULTS command is executed.

MFR_PIN_PEAK

This command returns the maximum ADC measured value of the input power. This register is reset to 0x7C00 (-2^{25}) when the LTC2975 emerges from power-on reset or when a CLEAR_FAULTS command is executed.

MFR_PIN_MIN

This command returns the minimum ADC measured value of the input power. This register is reset to 0x7BFF (approximately 2^{25}) when the LTC2975 emerges from power-on reset or when a CLEAR_FAULTS command is executed.

READ_TEMPERATURE_1

This command returns the most recent measured value of the external diode temperature in °C. This value is used for all temperature related operations and calculations. This command is paged. READ_TEMPERATURE_2 is substituted for READ_TEMPERATURE_1 if the associated T_{SENSE} network fails to detect a valid temperature.

The T_{SENSE} network will fail to detect a valid temperature under the following conditions:

- The T_{SENSE} pin is shorted to a constant voltage.
- The sense diode has an ideality factor greater than N_{TS} max.

READ_TEMPERATURE_2

This command returns the most recent ADC measured value of junction temperature in °C as determined by the LTC2975's internal temperature sensor. This register is for information purposes and does not generate any faults, warnings, or affect any other registers or internal calculations unless it is used as READ_TEMPERATURE_1. This command is not paged.

READ_TEMPERATURE_2 is substituted for READ_TEMPERATURE_1 if a channel's T_{SENSE} network fails to detect a valid temperature.

READ_POUT

This command returns the most recent ADC measured value of the channel's output power in watts.

PMBUS COMMAND DESCRIPTION

MFR_READ_IOUT

This command returns the most recent ADC measured value of the channel's output current, using a custom format that provides better numeric representation granularity than the READ_IOUT command for currents whose absolute value is between 2A and 82A.

MFR_READ_IOUT Data Contents

| BIT(S) | SYMBOL | OPERATION |
|---------|---------------------|----------------------------------------------------------------------------------------------------------------------------------------------------------------------------------------------------------------------------------------------------------------------------------|
| b[15:0] | Mfr_read_iout[15:0] | Channel output current expressed in custom format for improved resolution at high currents. Value = $Y \cdot 2.5$ where $Y = b[15:0]$ is a signed two's-complement number. Example: MFR_READ_IOUT = 5mA For $b[15:0] = 0x0002$ Value = $2 \cdot 2.5 = 5\text{mA}$ |

The granularity of the returned value is always 2.5mA, and the return value is limited to $\pm 81.92\text{A}$. Use the READ_IOUT command for larger currents. Note that the accuracy of the returned value is always limited by the ADC Characteristics listed in the Electrical Characteristics section.

Comparison of Granularity Due to Numeric Format

| CURRENT RANGE | READ_IOUT GRANULARITY | MFR_READ_IOUT GRANULARITY |
|------------------------------------------------------|-----------------------|---------------------------|
| $31.25\text{mA} \leq I_{\text{OUT}} < 62.5\text{mA}$ | 61 μA | 2.5mA |
| $62.5\text{mA} \leq I_{\text{OUT}} < 125\text{mA}$ | 122 μA | 2.5mA |
| $125\text{mA} \leq I_{\text{OUT}} < 250\text{mA}$ | 244 μA | 2.5mA |
| $250\text{mA} \leq I_{\text{OUT}} < 500\text{mA}$ | 488 μA | 2.5mA |
| $0.5\text{A} \leq I_{\text{OUT}} < 1\text{A}$ | 977 μA | 2.5mA |
| $1\text{A} \leq I_{\text{OUT}} < 2\text{A}$ | 1.95mA | 2.5mA |
| $2\text{A} \leq I_{\text{OUT}} < 4\text{A}$ | 3.9mA | 2.5mA |
| $4\text{A} \leq I_{\text{OUT}} < 8\text{A}$ | 7.8mA | 2.5mA |
| $8\text{A} \leq I_{\text{OUT}} < 16\text{A}$ | 15.6mA | 2.5mA |
| $16\text{A} \leq I_{\text{OUT}} < 32\text{A}$ | 31.3mA | 2.5mA |
| $32\text{A} \leq I_{\text{OUT}} < 64\text{A}$ | 62.5mA | 2.5mA |
| $64\text{A} \leq I_{\text{OUT}} < 82\text{A}$ | 125mA | 2.5mA |
| $82\text{A} \leq I_{\text{OUT}} < 128\text{A}$ | 125mA | Saturated |
| $128\text{A} \leq I_{\text{OUT}} < 256\text{A}$ | 250mA | Saturated |

PMBUS COMMAND DESCRIPTION

MFR_IOUT_SENSE_VOLTAGE

This command returns the absolute value of the voltage measured between I_{SENSEp_n} and I_{SENSEM_n} during the last READ_IOUT ADC conversion without any temperature correction.

MFR_IOUT_SENSE_VOLTAGE Data Contents

| BIT(S) | SYMBOL | OPERATION |
|---------|------------------------|-----------------------------------------------------------------------------------------------------------------------------------------------------------------------------------------------------------------------------------------------------------------------------------------------------------------------------|
| b[15:0] | Mfr_iout_sense_voltage | Absolute value of raw voltage conversion measured between I_{SENSEp_n} and I_{SENSEM_n} . Value = $Y \cdot 0.025 \cdot 2^{-13}$ where $Y = b[15:0]$ is an unsigned integer. Example: MFR_IOUT_SENSE_VOLTAGE = 1.544mV For $b[15:0] = 0x1FA=506$ Value = $506 \cdot 0.025 \cdot 2^{-13} = 1.544\text{mV}$ |

MFR_VIN_PEAK

This command returns the maximum ADC measured value of the input voltage. This register is reset to 0x7C00 (-2^{25}) when the LTC2975 emerges from power-on reset or when a CLEAR_FAULTS command is executed.

MFR_VOUT_PEAK

This command returns the maximum ADC measured value of the channel's output voltage. This register is reset to 0xF800 (0.0) when the LTC2975 emerges from power-on reset or when a CLEAR_FAULTS command is executed.

MFR_IOUT_PEAK

This command returns the maximum ADC measured value of the channel's output current. This register is reset to 0x7C00 (-2^{25}) when the LTC2975 emerges from power-on reset or when a CLEAR_FAULTS command is executed.

MFR_TEMPERATURE_1_PEAK

This command returns the maximum measured value of the external diode temperature in °C. This register is reset to 0x7C00 (-2^{25}) when the LTC2975 emerges from power-on reset or when a CLEAR_FAULTS command is executed.

MFR_VIN_MIN

This command returns the minimum ADC measured value of the input voltage. This register is reset to 0x7BFF (approximately 2^{25}) when the LTC2975 emerges from power-on reset or when a CLEAR_FAULTS command is executed.

MFR_VOUT_MIN

This command returns the minimum ADC measured value of the channel's output voltage. This register is reset to 0xFFFF (7.9999) when the LTC2975 emerges from power-on reset or when a CLEAR_FAULTS command is executed. Updates are disabled when Margin Low (Ignore Faults and Warnings) is enabled.

MFR_IOUT_MIN

This command returns the minimum ADC measured value of the channel's output current. This register is reset to 0x7BFF (approximately 2^{25}) when the LTC2975 emerges from power-on reset or when a CLEAR_FAULTS command is executed.

PMBUS COMMAND DESCRIPTION

MFR_TEMPERATURE_1_MIN

This command returns the minimum measured value of the external diode temperature in °C. This register is reset to 0x7BFF (approximately 2²⁵) when the LTC2975 emerges from power-on reset or when a CLEAR_FAULTS command is executed.

FAULT LOGGING

| COMMAND NAME | CMD CODE | DESCRIPTION | TYPE | PAGED | FORMAT | UNITS | EEPROM | DEFAULT VALUE | REF PAGE |
|-----------------------|----------|----------------------------------------------------------------------------------------------------|-----------|-------|--------|-------|--------|---------------|--------------------|
| MFR_FAULT_LOG_STORE | 0xEA | Command a transfer of the fault log from RAM to EEPROM. | Send Byte | N | | | | NA | 74 |
| MFR_FAULT_LOG_RESTORE | 0xEB | Command a transfer of the fault log previously stored in EEPROM back to RAM. | Send Byte | N | | | | NA | 74 |
| MFR_FAULT_LOG_CLEAR | 0xEC | Initialize the EEPROM block reserved for fault logging and clear any previous fault logging locks. | Send Byte | N | | | | NA | 75 |
| MFR_FAULT_LOG_STATUS | 0xED | Fault logging status. | R Byte | N | Reg | | Y | NA | 75 |
| MFR_FAULT_LOG | 0xEE | Fault log data bytes. This sequentially retrieved data is used to assemble a complete fault log. | R Block | N | Reg | | Y | NA | 75 |

Fault Log Operation

A conceptual diagram of the fault log is shown in Figure 22. The fault log provides black box capability for the LTC2975. During normal operation the contents of the status registers, the output voltage/current/temperature readings, the input voltage readings, as well as peak and min values of these quantities, are stored in a continuously updated buffer in RAM. You can think of the operation as being similar to a strip chart recorder. When a fault occurs, the contents are written into EEPROM for non volatile storage. The EEPROM fault log is then locked. The part can be powered down with the fault log available for reading at a later time.

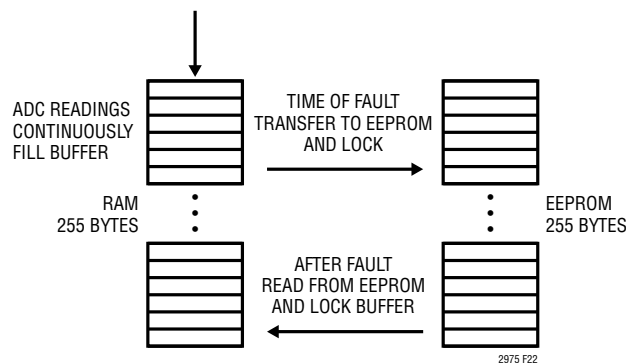


Figure 22. Fault Logging

MFR_FAULT_LOG_STORE

This command allows the user to transfer data from the RAM buffer to EEPROM.

MFR_FAULT_LOG_RESTORE

This command allows the user to transfer a copy of the fault-log data from the EEPROM to the RAM buffer. After a restore the RAM buffer is locked until a successful Mfr_fault_log read.

PMBUS COMMAND DESCRIPTION

MFR_FAULT_LOG_CLEAR

This command initializes the EEPROM block reserved for fault logging. Any previous fault log stored in EEPROM will be erased by this operation and logging of the fault log RAM to EEPROM will be enabled. Make sure that `Mfr_fault_log_status_ram = 0` before issuing the `MFR_FAULT_LOG_CLEAR` command.

MFR_FAULT_LOG_STATUS

This register is used to manage fault log events. The `Mfr_fault_log_status_eeprom` bit is set after a `MFR_FAULT_LOG_STORE` command or a faulted-off event triggers a transfer of the fault log from RAM to EEPROM. This bit is cleared by a `MFR_FAULT_LOG_CLEAR` command.

`Mfr_fault_log_status_ram` is set after a `MFR_FAULT_LOG_RESTORE` to indicate that the data in the RAM has been restored from EEPROM and not yet read using a `MFR_FAULT_LOG` command. This bit is cleared only by a successful execution of an `MFR_FAULT_LOG` command.

MFR_FAULT_LOG_STATUS Data Contents

| BIT(S) | SYMBOL | OPERATION |
|--------|------------------------------------------|----------------------------------------------------------------------------------------------------------------------------------------------------------------|
| b[7:2] | Reserved | Read only, always returns 0s. |
| b[1] | <code>Mfr_fault_log_status_ram</code> | Fault log RAM status: 0: The fault log RAM allows updates. 1: The fault log RAM is locked until the next <code>Mfr_fault_log</code> read. |
| b[0] | <code>Mfr_fault_log_status_eeprom</code> | Fault log EEPROM status: 0: The transfer of the fault log RAM to the EEPROM is enabled. 1: The transfer of the fault log RAM to the EEPROM is inhibited. |

MFR_FAULT_LOG

Read only. This 2040-bit (255 byte) data block contains a copy of the RAM buffer fault log. The RAM buffer is continuously updated after each ADC conversion as long as `Mfr_fault_log_status_eeprom` is clear.

With `Mfr_config_fault_log_enable = 1` and `Mfr_fault_log_status_eeprom = 0`, the RAM buffer is transferred to EEPROM whenever an LTC2975 fault causes a channel to latch off or a `MFR_FAULT_LOG_STORE` command is received. This transfer is delayed until the ADC has updated its READ values for all channels when `Mfr_config_all_fast_fault_log` is clear, otherwise it happens within 24ms. This optional delay can be used to ensure that the slower ADC monitored values are all updated for the case where a fast supervisor detected fault initiates the transfer to EEPROM.

`Mfr_fault_log_status_eeprom` is set high after the RAM buffer is transferred to EEPROM and not cleared until a `Mfr_fault_log_clear` is received, even if the LTC2975 is reset or powered down. Fault log EEPROM transfers are not initiated as a result of `Status_mfr_discharge` events.

During a `Mfr_fault_log` read, data is returned one byte at a time as defined in Table 2. The fault log data is partitioned into two sections. The first section is referred to as the preamble and contains the `Position_last` pointer, time information and peak and min values. The second section contains a chronological record of telemetry and requires `Position_last` for proper interpretation. The fault log stores approximately 300ms seconds of telemetry. To prevent timeouts during block reads, it is recommended that `Mfr_config_all_longer_pmbus_timeout` be set to 1.

PMBUS COMMAND DESCRIPTION

Table 2. Data Block Contents

| DATA | BYTE* | DESCRIPTION |
|-----------------------------|-------|-------------------------------------------------------------------------------------------|
| Position_last[7:0] | 0 | Position of fault log pointer when fault occurred. |
| SharedTime[7:0] | 1 | 41-bit share-clock counter value when fault occurred. Counter LSB is in 200µs increments. |
| SharedTime[15:8] | 2 | |
| SharedTime[23:16] | 3 | |
| SharedTime[31:24] | 4 | |
| SharedTime[39:32] | 5 | |
| SharedTime[40] | 6 | |
| Mfr_vout_peak0[7:0] | 7 | |
| Mfr_vout_peak0[15:8] | 8 | |
| Mfr_vout_min0[7:0] | 9 | |
| Mfr_vout_min0[15:8] | 10 | |
| Mfr_temperature_peak0[7:0] | 11 | |
| Mfr_temperature_peak0[15:8] | 12 | |
| Mfr_temperature_min0[7:0] | 13 | |
| Mfr_temperature_min0[15:8] | 14 | |
| Mfr_iout_peak0[7:0] | 15 | |
| Mfr_iout_peak0[15:8] | 16 | |
| Mfr_iout_min0[7:0] | 17 | |
| Mfr_iout_min0[15:8] | 18 | |
| Mfr_vin_peak[7:0] | 19 | |
| Mfr_vin_peak[15:8] | 20 | |
| Mfr_vin_min[7:0] | 21 | |
| Mfr_vin_min[15:8] | 22 | |
| Mfr_iin_peak[7:0] | 23 | |
| Mfr_iin_peak[15:8] | 24 | |
| Mfr_iin_min[7:0] | 25 | |
| Mfr_iin_min[15:8] | 26 | |
| Mfr_pin_peak[7:0] | 27 | |
| Mfr_pin_peak[15:8] | 28 | |
| Mfr_pin_min[7:0] | 29 | |
| Mfr_pin_min[15:8] | 30 | |
| Mfr_vout_peak1[7:0] | 31 | |
| Mfr_vout_peak1[15:8] | 32 | |
| Mfr_vout_min1[7:0] | 33 | |
| Mfr_vout_min1[15:8] | 34 | |
| Mfr_temperature_peak1[7:0] | 35 | |
| Mfr_temperature_peak1[15:8] | 36 | |
| Mfr_temperature_min1[7:0] | 37 | |
| Mfr_temperature_min1[15:8] | 38 | |

Table 2. Data Block Contents

| DATA | BYTE* | DESCRIPTION |
|-----------------------------|-------|-----------------------|
| Mfr_iout_peak1[7:0] | 39 | |
| Mfr_iout_peak1[15:8] | 40 | |
| Mfr_iout_min1[7:0] | 41 | |
| Mfr_iout_min1[15:8] | 42 | |
| Mfr_vout_peak2[7:0] | 43 | |
| Mfr_vout_peak2[15:8] | 44 | |
| Mfr_vout_min2[7:0] | 45 | |
| Mfr_vout_min2[15:8] | 46 | |
| Mfr_temperature_peak2[7:0] | 47 | |
| Mfr_temperature_peak2[15:8] | 48 | |
| Mfr_temperature_min2[7:0] | 49 | |
| Mfr_temperature_min2[15:8] | 50 | |
| Mfr_iout_peak2[7:0] | 51 | |
| Mfr_iout_peak2[15:8] | 52 | |
| Mfr_iout_min2[7:0] | 53 | |
| Mfr_iout_min2[15:8] | 54 | |
| Mfr_vout_peak3[7:0] | 55 | |
| Mfr_vout_peak3[15:8] | 56 | |
| Mfr_vout_min3[7:0] | 57 | |
| Mfr_vout_min3[15:8] | 58 | |
| Mfr_temperature_peak3[7:0] | 59 | |
| Mfr_temperature_peak3[15:8] | 60 | |
| Mfr_temperature_min3[7:0] | 61 | |
| Mfr_temperature_min3[15:8] | 62 | |
| Mfr_iout_peak3[7:0] | 63 | |
| Mfr_iout_peak3[15:8] | 64 | |
| Mfr_iout_min3[7:0] | 65 | |
| Mfr_iout_min3[15:8] | 66 | |
| Status_vout0[7:0] | 67 | |
| Status_iout0[7:0] | 68 | |
| Status_mfr_specific0[7:0] | 69 | |
| Status_vout1[7:0] | 70 | |
| Status_iout1[7:0] | 71 | |
| Status_mfr_specific1[7:0] | 72 | |
| Status_vout2[7:0] | 73 | |
| Status_iout2[7:0] | 74 | |
| Status_mfr_specific2[7:0] | 75 | |
| Status_vout3[7:0] | 76 | |
| Status_iout3[7:0] | 77 | |
| Status_mfr_specific3[7:0] | 78 | |
| | | 71 bytes for preamble |

PMBUS COMMAND DESCRIPTION

Table 2. Data Block Contents

| DATA | BYTE* | DESCRIPTION |
|-------------------------------|---------|----------------------------------------|
| Fault_log [Position_last] | 79 | |
| Fault_log [Position_last-1] | 80 | |
| ... | | |
| Fault_log [Position_last-170] | 237 | |
| Reserved | 238-254 | |
| | | Number of loops: $(238 - 79)/58 = 2.7$ |

*Note that PMBus data byte numbers start at 1 rather than 0. See Figure 13 Block Read.

The data returned between bytes 79 and 237 of the previous table is interpreted using Position_last and the following table. The key to identifying the data located in byte 79 is to locate the DATA corresponding to POSITION = Position_last in the next table. Subsequent bytes are identified by decrementing the value of POSITION. For example: If Position_last = 8 then the first data returned in a block read is Status_temperature of page 0 followed by Read_temperature_1[15:8] of page 0 followed by Read_temperature_1[7:0] of page 0 and so on. See Table 3.

Table 3. Interpreting Cyclical Loop Data

| POSITION | DATA |
|----------|----------------------------|
| 0 | Read_temperature_2[7:0] |
| 1 | Read_temperature_2[15:8] |
| 2 | Read_vout0[7:0] |
| 3 | Read_vout0[15:8] |
| 4 | Status_vout0[7:0] |
| 5 | Status_mfr_specific0[7:0] |
| 6 | Read_temperature_1_0[7:0] |
| 7 | Read_temperature_1_0[15:8] |
| 8 | Status_temperature0[7:0] |
| 9 | Status_iout0[7:0] |
| 10 | Read_iout0[7:0] |
| 11 | Read_iout0[15:8] |
| 12 | Read_pout0[7:0] |
| 13 | Read_pout0[15:8] |
| 14 | Read_vin[7:0] |
| 15 | Read_vin[15:8] |
| 16 | Status_input[7:0] |
| 17 | 0x0 |

Table 3. Interpreting Cyclical Loop Data

| POSITION | DATA |
|----------|----------------------------|
| 18 | Read_iin[7:0] |
| 19 | Read_iin[15:8] |
| 20 | Read_pin[7:0] |
| 21 | Read_pin[15:8] |
| 22 | Read_vout1[7:0] |
| 23 | Read_vout1[15:8] |
| 24 | Status_vout1[7:0] |
| 25 | Status_mfr_specific1[7:0] |
| 26 | Read_temperature_1_1[7:0] |
| 27 | Read_temperature_1_1[15:8] |
| 28 | Status_temperature1[7:0] |
| 29 | Status_iout1[7:0] |
| 30 | Read_iout1[7:0] |
| 31 | Read_iout1[15:8] |
| 32 | Read_pout1[7:0] |
| 33 | Read_pout1[15:8] |
| 34 | Read_vout2[7:0] |
| 35 | Read_vout2[15:8] |
| 36 | Status_vout2[7:0] |
| 37 | Status_mfr_specific2[7:0] |
| 38 | Read_temperature_1_2[7:0] |
| 39 | Read_temperature_1_2[15:8] |
| 40 | Status_temperature2[7:0] |
| 41 | Status_iout2[7:0] |
| 42 | Read_iout2[7:0] |
| 43 | Read_iout2[15:8] |
| 44 | Read_pout2[7:0] |
| 45 | Read_pout2[15:8] |
| 46 | Read_vout3[7:0] |
| 47 | Read_vout3[15:8] |
| 48 | Status_vout3[7:0] |
| 49 | Status_mfr_specific3[7:0] |
| 50 | Read_temperature_1_3[7:0] |
| 51 | Read_temperature_1_3[15:8] |
| 52 | Status_temperature3[7:0] |
| 53 | Status_iout3[7:0] |
| 54 | Read_iout3[7:0] |
| 55 | Read_iout3[15:8] |
| 56 | Read_pout3[7:0] |
| 57 | Read_pout3[15:8] |
| | Total Bytes = 58 |

PMBUS COMMAND DESCRIPTION

MFR_FAULT_LOG Read Example

The following table fully decodes a sample fault log read with Position_last = 13 to help clarify the cyclical nature of the operation.

Data Block Contents

PREAMBLE INFORMATION

| BYTE NUMBER DECIMAL | BYTE NUMBER HEX | DATA | DESCRIPTION |
|---------------------|-----------------|-----------------------------|-------------------------------------------------------------------------------------------|
| 0 | 00 | Position_last[7:0] = 13 | Position of fault-log pointer when fault occurred. |
| 1 | 01 | SharedTime[7:0] | 41-bit share-clock counter value when fault occurred. Counter LSB is in 200µs increments. |
| 2 | 02 | SharedTime[15:8] | |
| 3 | 03 | SharedTime[23:16] | |
| 4 | 04 | SharedTime[31:24] | |
| 5 | 05 | SharedTime[39:32] | |
| 6 | 06 | SharedTime[40] | |
| 7 | 07 | Mfr_vout_peak0[7:0] | |
| 8 | 08 | Mfr_vout_peak0[15:8] | |
| 9 | 09 | Mfr_vout_min0[7:0] | |
| 10 | 0A | Mfr_vout_min0[15:8] | |
| 11 | 0B | Mfr_temperature_peak0[7:0] | |
| 12 | 0C | Mfr_temperature_peak0[15:8] | |
| 13 | 0D | Mfr_temperature_min0[7:0] | |
| 14 | 0E | Mfr_temperature_min0[15:8] | |
| 15 | 0F | Mfr_iout_peak0[7:0] | |
| 16 | 10 | Mfr_iout_peak0[15:8] | |
| 17 | 11 | Mfr_iout_min0[7:0] | |
| 18 | 12 | Mfr_iout_min0[15:8] | |
| 19 | 13 | Mfr_vin_peak_[7:0] | |
| 20 | 14 | Mfr_vin_peak_[15:8] | |
| 21 | 15 | Mfr_vin_min_[7:0] | |
| 22 | 16 | Mfr_vin_min_[15:8] | |
| 23 | 17 | Mfr_iin_peak[7:0] | |
| 24 | 18 | Mfr_iin_peak[15:8] | |
| 25 | 19 | Mfr_iin_min[7:0] | |
| 26 | 1A | Mfr_iin_min[15:8] | |
| 27 | 1B | Mfr_pin_peak[7:0] | |

PREAMBLE INFORMATION

| BYTE NUMBER DECIMAL | BYTE NUMBER HEX | DATA | DESCRIPTION |
|---------------------|-----------------|-----------------------------|-------------|
| 28 | 1C | Mfr_pin_peak[15:8] | |
| 29 | 1D | Mfr_pin_min[7:0] | |
| 30 | 1E | Mfr_pin_min[15:8] | |
| 31 | 1F | Mfr_vout_peak1[7:0] | |
| 32 | 20 | Mfr_vout_peak1[15:8] | |
| 33 | 21 | Mfr_vout_min1[7:0] | |
| 34 | 22 | Mfr_vout_min1[15:8] | |
| 35 | 23 | Mfr_temperature_peak1[7:0] | |
| 36 | 24 | Mfr_temperature_peak1[15:8] | |
| 37 | 25 | Mfr_temperature_min1[7:0] | |
| 38 | 26 | Mfr_temperature_min1[15:8] | |
| 39 | 27 | Mfr_iout_peak1[7:0] | |
| 40 | 28 | Mfr_iout_peak1[15:8] | |
| 41 | 29 | Mfr_iout_min1[7:0] | |
| 42 | 2A | Mfr_iout_min1[15:8] | |
| 43 | 2B | Mfr_vout_peak2[7:0] | |
| 44 | 2C | Mfr_vout_peak2[15:8] | |
| 45 | 2D | Mfr_vout_min2[7:0] | |
| 46 | 2E | Mfr_vout_min2[15:8] | |
| 47 | 2F | Mfr_temperature_peak2[7:0] | |
| 48 | 30 | Mfr_temperature_peak2[15:8] | |
| 49 | 31 | Mfr_temperature_min2[7:0] | |
| 50 | 32 | Mfr_temperature_min2[15:8] | |
| 51 | 33 | Mfr_iout_peak2[7:0] | |
| 52 | 34 | Mfr_iout_peak2[15:8] | |
| 53 | 35 | Mfr_iout_min2[7:0] | |
| 54 | 36 | Mfr_iout_min2[15:8] | |
| 55 | 37 | Mfr_vout_peak3[7:0] | |
| 56 | 38 | Mfr_vout_peak3[15:8] | |
| 57 | 39 | Mfr_vout_min3[7:0] | |
| 58 | 3A | Mfr_vout_min3[15:8] | |
| 59 | 3B | Mfr_temperature_peak3[7:0] | |

PMBUS COMMAND DESCRIPTION

PREAMBLE INFORMATION

| BYTE NUMBER DECIMAL | BYTE NUMBER HEX | DATA | DESCRIPTION |
|------------------------|--------------------|------------------------------|-----------------|
| 60 | 3C | Mfr_temperature_ peak3[15:8] | |
| 61 | 3D | Mfr_temperature_ min3[7:0] | |
| 62 | 3E | Mfr_temperature_ min3[15:8] | |
| 63 | 3F | Mfr_iout_peak3[7:0] | |
| 64 | 40 | Mfr_iout_peak3[15:8] | |
| 65 | 41 | Mfr_iout_min3[7:0] | |
| 66 | 42 | Mfr_iout_min3[15:8] | |
| 67 | 43 | Status_vout0[7:0] | |
| 68 | 44 | Status_iout0[7:0] | |
| 69 | 45 | Status_ temperature0[7:0] | |
| 70 | 46 | Status_vout1[7:0] | |
| 71 | 47 | Status_iout1[7:0] | |
| 72 | 48 | Status_ temperature1[7:0] | |
| 73 | 49 | Status_vout2[7:0] | |
| 74 | 4A | Status_iout2[7:0] | |
| 75 | 4B | Status_ temperature2[7:0] | |
| 76 | 4C | Status_vout3[7:0] | |
| 77 | 4D | Status_iout3[7:0] | |
| 78 | 4E | Status_ temperature3[7:0] | End of Preamble |

CYCLICAL MUX LOOP DATA

| BYTE NUMBER DECIMAL | BYTE NUMBER HEX | LOOP BYTE NUMBER DECIMAL | MUX LOOP 0 | 54 BYTES PER LOOP |
|------------------------|--------------------|-----------------------------------|-------------------|----------------------|
| 79 | 4F | 13 | Read_pout0[15:8] | Position_last |
| 80 | 50 | 12 | Read_pout0[7:0] | |
| 81 | 51 | 11 | Read_iout0[15:8] | |
| 82 | 52 | 10 | Read_iout0[7:0] | |
| 83 | 53 | 9 | Status_iout0[7:0] | |

CYCLICAL MUX LOOP DATA

| BYTE NUMBER DECIMAL | BYTE NUMBER HEX | LOOP BYTE NUMBER DECIMAL | MUX LOOP 0 | 54 BYTES PER LOOP |
|------------------------|--------------------|-----------------------------------|-----------------------------|----------------------|
| 84 | 54 | 8 | Status_ temperature0[7:0] | |
| 85 | 55 | 7 | Read_ temperature_1_0[15:8] | |
| 86 | 56 | 6 | Read_ temperature_1_0[7:0] | |
| 87 | 57 | 5 | Status_mfr_ specific0[7:0] | |
| 88 | 58 | 4 | Status_vout0[7:0] | |
| 89 | 59 | 3 | Read_vout0[15:8] | |
| 90 | 5A | 2 | Read_vout0[7:0] | |
| 91 | 5B | 1 | Read_ temperature_2[15:8] | |
| 92 | 5C | 0 | Read_ temperature_2[7:0] | |

CYCLICAL MUX LOOP DATA

| BYTE NUMBER DECIMAL | BYTE NUMBER HEX | LOOP BYTE NUMBER DECIMAL | MUX LOOP 1 | 54 BYTES PER LOOP |
|------------------------|--------------------|-----------------------------------|-----------------------------|----------------------|
| 93 | 5D | 57 | Read_pout3[15:8] | |
| 94 | 5E | 56 | Read_pout3[7:0] | |
| 95 | 5F | 55 | Read_iout3[15:8] | |
| 96 | 60 | 54 | Read_iout3[7:0] | |
| 97 | 61 | 53 | Status_iout3[7:0] | |
| 98 | 62 | 52 | Status_ temperature3[7:0] | |
| 99 | 63 | 51 | Read_ temperature_1_3[15:8] | |
| 100 | 64 | 50 | Read_ temperature_1_3[7:0] | |
| 101 | 65 | 49 | Status_mfr_ specific3[7:0] | |
| 102 | 66 | 48 | Status_vout3[7:0] | |
| 103 | 67 | 47 | Read_vout3[15:8] | |
| 104 | 78 | 46 | Read_vout3[7:0] | |
| 105 | 69 | 45 | Read_pout2[15:8] | |
| 106 | 6A | 44 | Read_pout2[7:0] | |
| 107 | 6B | 43 | Read_iout2[15:8] | |
| 108 | 6C | 42 | Read_iout2[7:0] | |

PMBUS COMMAND DESCRIPTION

CYCLICAL MUX LOOP DATA

| BYTE NUMBER DECIMAL | BYTE NUMBER HEX | LOOP BYTE NUMBER DECIMAL | MUX LOOP 1 | 54 BYTES PER LOOP |
|---------------------|-----------------|--------------------------|----------------------------|-------------------|
| 109 | 6D | 41 | Status_iout2[7:0] | |
| 110 | 6E | 40 | Status_temperature2[7:0] | |
| 111 | 6F | 39 | Read_temperature_1_2[15:8] | |
| 112 | 70 | 38 | Read_temperature_1_2[7:0] | |
| 113 | 71 | 37 | Status_mfr_specific2[7:0] | |
| 114 | 72 | 36 | Status_vout2[7:0] | |
| 115 | 73 | 35 | Read_vout2[15:8] | |
| 116 | 74 | 34 | Read_vout2[7:0] | |
| 117 | 75 | 33 | Read_pout1[15:8] | |
| 118 | 76 | 32 | Read_pout1[7:0] | |
| 119 | 77 | 31 | Read_iout1[15:8] | |
| 120 | 78 | 30 | Read_iout1[7:0] | |
| 121 | 79 | 29 | Status_iout1[7:0] | |
| 122 | 7A | 28 | Status_temperature2[7:0] | |
| 123 | 7B | 27 | Read_temperature_1_1[15:8] | |
| 124 | 7C | 26 | Read_temperature_1_1[7:0] | |
| 125 | 7D | 25 | Status_mfr_specific1[7:0] | |
| 126 | 7E | 24 | Status_vout1[7:0] | |
| 127 | 7F | 23 | Read_vout1[15:8] | |
| 128 | 80 | 22 | Read_vout1[7:0] | |
| 129 | 81 | 21 | Read_pin[15:8] | |
| 130 | 82 | 20 | Read_pin[7:0] | |
| 131 | 83 | 19 | Read_in[15:8] | |
| 132 | 84 | 18 | Read_in[7:0] | |
| 133 | 85 | 17 | 0x0 | |
| 134 | 86 | 16 | Status_input[7:0] | |
| 135 | 87 | 15 | Read_vin[15:8] | |
| 136 | 88 | 14 | Read_vin[7:0] | |
| 137 | 89 | 13 | Read_pout0[15:8] | |
| 138 | 8A | 12 | Read_pout0[7:0] | |
| 139 | 8B | 11 | Read_iout0[15:8] | |
| 140 | 8C | 10 | Read_iout0[7:0] | |

CYCLICAL MUX LOOP DATA

| BYTE NUMBER DECIMAL | BYTE NUMBER HEX | LOOP BYTE NUMBER DECIMAL | MUX LOOP 1 | 54 BYTES PER LOOP |
|---------------------|-----------------|--------------------------|----------------------------|-------------------|
| 141 | 8D | 9 | Status_iout0[7:0] | |
| 142 | 8E | 8 | Status_temperature0[7:0] | |
| 143 | 8F | 7 | Read_temperature_1_0[15:8] | |
| 144 | 90 | 6 | Read_temperature_1_0[7:0] | |
| 145 | 91 | 5 | Status_mfr_specific0[7:0] | |
| 146 | 92 | 4 | Status_vout0[7:0] | |
| 147 | 93 | 3 | Read_vout0[15:8] | |
| 148 | 94 | 2 | Read_vout0[7:0] | |
| 149 | 95 | 1 | Read_temperature_2[15:8] | |
| 150 | 96 | 0 | Read_temperature_2[7:0] | |

CYCLICAL MUX LOOP DATA

| BYTE NUMBER DECIMAL | BYTE NUMBER HEX | LOOP BYTE NUMBER DECIMAL | MUX LOOP 2 | 54 BYTES PER LOOP |
|---------------------|-----------------|--------------------------|----------------------------|-------------------|
| 151 | 97 | 57 | Read_pout3[15:8] | |
| 152 | 98 | 56 | Read_pout3[7:0] | |
| 153 | 99 | 55 | Read_iout3[15:8] | |
| 154 | 9A | 54 | Read_iout3[7:0] | |
| 155 | 9B | 53 | Status_iout3[7:0] | |
| 156 | 9C | 52 | Status_temperature3[7:0] | |
| 157 | 9D | 51 | Read_temperature_1_3[15:8] | |
| 158 | 9E | 50 | Read_temperature_1_3[7:0] | |
| 159 | 9F | 49 | Status_mfr_specific3[7:0] | |
| 160 | A0 | 48 | Status_vout3[7:0] | |
| 161 | A1 | 47 | Read_vout3[15:8] | |
| 162 | A2 | 46 | Read_vout3[7:0] | |
| 163 | A3 | 45 | Read_pout2[15:8] | |
| 164 | A4 | 44 | Read_pout2[7:0] | |
| 165 | A5 | 43 | Read_iout2[15:8] | |
| 166 | A6 | 42 | Read_iout2[7:0] | |

PMBUS COMMAND DESCRIPTION

CYCLICAL MUX LOOP DATA

| BYTE NUMBER DECIMAL | BYTE NUMBER HEX | LOOP BYTE NUMBER DECIMAL | MUX LOOP 2 | 54 BYTES PER LOOP |
|---------------------|-----------------|--------------------------|----------------------------|-------------------|
| 167 | A7 | 41 | Status_iout2[7:0] | |
| 168 | A8 | 40 | Status_temperature2[7:0] | |
| 169 | A9 | 39 | Read_temperature_1_2[15:8] | |
| 170 | AA | 38 | Read_temperature_1_2[7:0] | |
| 171 | AB | 37 | Status_mfr_specific2[7:0] | |
| 172 | AC | 36 | Status_vout2[7:0] | |
| 173 | AD | 35 | Read_vout2[15:8] | |
| 174 | AE | 34 | Read_vout2[7:0] | |
| 175 | AF | 33 | Read_pout1[15:8] | |
| 176 | B0 | 32 | Read_pout1[7:0] | |
| 177 | B1 | 31 | Read_iout1[15:8] | |
| 178 | B2 | 30 | Read_iout1[7:0] | |
| 179 | B3 | 29 | Status_iout1[7:0] | |
| 180 | B4 | 28 | Status_temperature2[7:0] | |
| 181 | B5 | 27 | Read_temperature_1_1[15:8] | |
| 182 | B6 | 26 | Read_temperature_1_1[7:0] | |
| 183 | B7 | 25 | Status_mfr_specific1[7:0] | |
| 184 | B8 | 24 | Status_vout1[7:0] | |
| 185 | B9 | 23 | Read_vout1[15:8] | |
| 186 | BA | 22 | Read_vout1[7:0] | |
| 187 | BB | 21 | Read_pin[15:8] | |
| 188 | BC | 20 | Read_pin[7:0] | |
| 189 | BD | 19 | Read_in[15:8] | |
| 190 | BE | 18 | Read_in[7:0] | |
| 191 | BF | 17 | 0x0 | |
| 192 | C0 | 16 | Status_input[7:0] | |
| 193 | C1 | 15 | Read_vin[15:8] | |
| 194 | C2 | 14 | Read_vin[7:0] | |
| 195 | C3 | 13 | Read_pout0[15:8] | |
| 196 | C4 | 12 | Read_pout0[7:0] | |
| 197 | C5 | 11 | Read_iout0[15:8] | |
| 198 | C6 | 10 | Read_iout0[7:0] | |
| 199 | C7 | 9 | Status_iout0[7:0] | |

CYCLICAL MUX LOOP DATA

| BYTE NUMBER DECIMAL | BYTE NUMBER HEX | LOOP BYTE NUMBER DECIMAL | MUX LOOP 2 | 54 BYTES PER LOOP |
|---------------------|-----------------|--------------------------|----------------------------|-------------------|
| 200 | C8 | 8 | Status_temperature0[7:0] | |
| 201 | C9 | 7 | Read_temperature_1_0[15:8] | |
| 202 | CA | 6 | Read_temperature_1_0[7:0] | |
| 203 | CB | 5 | Status_mfr_specific0[7:0] | |
| 204 | CC | 4 | Status_vout0[7:0] | |
| 205 | CD | 3 | Read_vout0[15:8] | |
| 206 | CE | 2 | Read_vout0[7:0] | |
| 207 | CF | 1 | Read_temperature_2[15:8] | |
| 208 | D0 | 0 | Read_temperature_2[7:0] | |

CYCLICAL MUX LOOP DATA

| BYTE NUMBER DECIMAL | BYTE NUMBER HEX | LOOP BYTE NUMBER DECIMAL | MUX LOOP 3 | 54 BYTES PER LOOP |
|---------------------|-----------------|--------------------------|----------------------------|-------------------|
| 209 | D1 | 57 | Read_pout3[15:8] | |
| 210 | D2 | 56 | Read_pout3[7:0] | |
| 211 | D3 | 55 | Read_iout3[15:8] | |
| 212 | D4 | 54 | Read_iout3[7:0] | |
| 213 | D5 | 53 | Status_iout3[7:0] | |
| 214 | D6 | 52 | Status_temperature_3[7:0] | |
| 215 | D7 | 51 | Read_temperature_1_3[15:8] | |
| 216 | D8 | 50 | Read_temperature_1_3[7:0] | |
| 217 | D9 | 49 | Status_mfr_specific3[7:0] | |
| 218 | DA | 48 | Status_vout3[7:0] | |
| 219 | DB | 47 | Read_vout3[15:8] | |
| 220 | DC | 46 | Read_vout3[7:0] | |
| 221 | DD | 45 | Read_pout2[15:8] | |
| 222 | DE | 44 | Read_pout2[7:0] | |
| 223 | DF | 43 | Read_iout2[15:8] | |
| 224 | E0 | 42 | Read_iout2[7:0] | |

PMBUS COMMAND DESCRIPTION

CYCLICAL MUX LOOP DATA

| BYTE NUMBER DECIMAL | BYTE NUMBER HEX | LOOP BYTE NUMBER DECIMAL | MUX LOOP 3 | 54 BYTES PER LOOP |
|---------------------|-----------------|--------------------------|----------------------------|---------------------------|
| 225 | E1 | 41 | Status_iout2[7:0] | |
| 226 | E2 | 40 | Status_temperature2[7:0] | |
| 227 | E3 | 39 | Read_temperature_1_2[15:8] | |
| 228 | E4 | 38 | Read_temperature_1_2[7:0] | |
| 229 | E5 | 37 | Status_mfr_specific2[7:0] | |
| 230 | E6 | 36 | Status_vout2[7:0] | |
| 231 | E7 | 35 | Read_vout2[15:8] | |
| 232 | E8 | 34 | Read_vout2[7:0] | |
| 233 | E9 | 33 | Read_pout1[15:8] | |
| 234 | EA | 32 | Read_pout1[7:0] | |
| 235 | EB | 31 | Read_iout1[15:8] | |
| 236 | EC | 30 | Read_iout1[7:0] | |
| 237 | ED | 29 | Status_iout1[7:0] | Last valid fault log byte |
| 238 | EE | | 0x00 | Bytes EE - FE return 0x00 |

CYCLICAL MUX LOOP DATA

| BYTE NUMBER DECIMAL | BYTE NUMBER HEX | LOOP BYTE NUMBER DECIMAL | MUX LOOP 3 | 54 BYTES PER LOOP |
|---------------------|-----------------|--------------------------|------------|----------------------------------------------------------------------------|
| 239 | EF | | 0x00 | |
| 240 | F0 | | 0x00 | |
| 241 | F1 | | 0x00 | |
| 242 | F2 | | 0x00 | |
| 243 | F3 | | 0x00 | |
| 244 | F4 | | 0x00 | |
| 245 | F5 | | 0x00 | |
| 246 | F6 | | 0x00 | |
| 247 | F7 | | 0x00 | |
| 248 | F8 | | 0x00 | |
| 249 | F9 | | 0x00 | |
| 250 | FA | | 0x00 | |
| 251 | FB | | 0x00 | |
| 252 | FC | | 0x00 | |
| 253 | FD | | 0x00 | |
| 254 | FE | | 0x00 | This is PMBUS byte 255. It must be read to clear Mfr_fault_log_status_ram. |

IDENTIFICATION/INFORMATION

| COMMAND NAME | CMD CODE | DESCRIPTION | TYPE | PAGED | FORMAT | UNITS | EEPROM | DEFAULT VALUE | REF PAGE |
|-----------------|----------|---------------------------------------------------------------------------------------------------------------------------------------|--------|-------|--------|-------|--------|---------------|--------------------|
| CAPABILITY | 0x19 | Summary of PMBus optional communication protocols supported by this device. | R Byte | N | Reg | | | 0xB0 | 83 |
| PMBUS_REVISION | 0x98 | PMBus revision supported by this device. Current revision is 1.1. | R Byte | N | Reg | | | 0x11 | 83 |
| MFR_SPECIAL_ID | 0xE7 | Manufacturer code for identifying the LTC2975. | R Word | N | Reg | | Y | 547 0x0223 | 83 |
| MFR_SPECIAL_LOT | 0xE8 | Customer dependent codes that identify the factory programmed user configuration stored in EEPROM. Contact factory for default value. | R Byte | Y | Reg | | Y | NA | 83 |

PMBUS COMMAND DESCRIPTION

CAPABILITY

The CAPABILITY command provides a way for a host system to determine some key capabilities of the LTC2975.

CAPABILITY Data Contents

| BIT(S) | SYMBOL | OPERATION |
|--------|----------------------|-------------------------------------------------------------------------------------------------------------------------------------------------------|
| b[7] | Capability_pec | Hard coded to 1 indicating Packet Error Checking is supported. Reading the Mfr_config_all_pec_en bit will indicate whether PEC is currently required. |
| b[6:5] | Capability_scl_max | Hard coded to 01b indicating the maximum supported bus speed is 400kHz. |
| b[4] | Capability_smb_alert | Hard coded to 1 indicating this device does have an ALERTB pin and does support the SMBus Alert Response Protocol. |
| b[3:0] | Reserved | Always returns 0. |

PMBus_REVISION

PMBus_REVISION Data Contents

| BIT(S) | SYMBOL | OPERATION |
|--------|-----------|----------------------------------------------------------------------------------------------|
| b[7:0] | PMBus_rev | Reports the PMBus standard revision compliance. This is hard-coded to 0x11 for revision 1.1. |

MFR_SPECIAL_ID

This register contains the manufacturer ID for the LTC2975. Always returns 0x0223.

MFR_SPECIAL_LOT

These paged registers contain information that identifies the user configuration that was programmed at the factory. Contact the factory to request a custom factory programmed user configuration and special lot number.

USER SCRATCHPAD

| COMMAND NAME | CMD CODE | DESCRIPTION | TYPE | PAGED | FORMAT | UNITS | EEPROM | DEFAULT VALUE | REF PAGE |
|--------------------|----------|----------------------------------------|----------|-------|--------|-------|--------|---------------|--------------------|
| USER_DATA_00 | 0xB0 | Manufacturer reserved for LTpowerPlay. | R/W Word | N | Reg | | Y | NA | 83 |
| USER_DATA_01 | 0xB1 | Manufacturer reserved for LTpowerPlay. | R/W Word | Y | Reg | | Y | NA | 83 |
| USER_DATA_02 | 0xB2 | OEM Reserved. | R/W Word | N | Reg | | Y | NA | 83 |
| USER_DATA_03 | 0xB3 | Scratchpad location. | R/W Word | Y | Reg | | Y | 0x0000 | 83 |
| USER_DATA_04 | 0xB4 | Scratchpad location. | R/W Word | N | Reg | | Y | 0x0000 | 83 |
| MFR_LTC_RESERVED_1 | 0xB5 | Manufacturer reserved. | R/W Word | Y | Reg | | Y | NA | 83 |
| MFR_LTC_RESERVED_2 | 0xBC | Manufacturer reserved. | R/W Word | Y | Reg | | | NA | 83 |

USER_DATA_00, USER_DATA_01, USER_DATA_02, USER_DATA_03, USER_DATA_04, MFR_LTC_RESERVED_1 and MFR_LTC_RESERVED_2

These registers are provided as user scratchpad and additional manufacturer reserved locations.

USER_DATA_03 and USER_DATA_04 are available for user scratchpad use. These 10 bytes (1 unpagged word plus 4pagged words) might be used for traceability or revision information such as serial number, board model number, assembly location, or assembly date.

APPLICATIONS INFORMATION

OVERVIEW

The LTC2975 is a 4-channel Power System Management IC that is capable of sequencing, margining, trimming, supervising output voltage for OV/UV conditions, supervising output current for OC/UC conditions, fault management, voltage/current/ temperature readback for four DC/DC converter channels, and readback of high side input current, input voltage, input power, input energy, and junction temperature. Multiple Linear Technology Power System Managers can coordinate operation using the SHARE_CLK, FAULTB, and CONTROL pins. The LTC2975 utilizes a PMBus compliant interface and command set.

POWERING THE LTC2975

The LTC2975 can be powered two ways. The first method requires that a voltage between 4.5V and 15V be applied to the V_{PWR} pin. See Figure 23. An internal linear regulator converts V_{PWR} down to 3.3V which drives all of the internal circuitry of the LTC2975.

Alternatively, power from an external 3.3V supply may be applied directly to the V_{DD33} pins 11 and 12 using a voltage between 3.13V and 3.47V. See Figure 24. Tie V_{PWR} to the

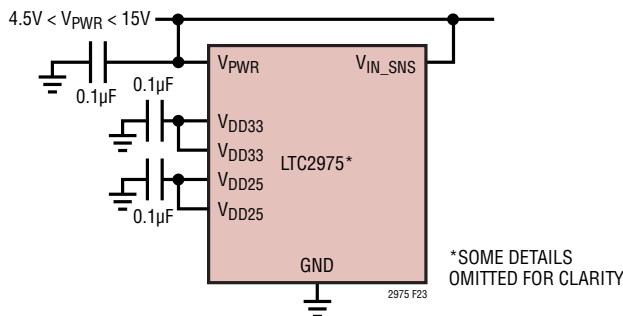


Figure 23. Powering LTC2975 Directly from an Intermediate Bus

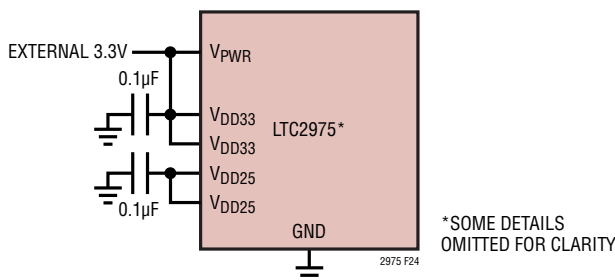


Figure 24. Powering LTC2975 from External 3.3V Supply

V_{DD33} pins. All functionality is available when using this alternate power method. The higher voltages needed for the V_{OUT_EN} pins and bias for the V_{SENSE} pins are charge pumped from V_{DD33} .

SETTING COMMAND REGISTER VALUES

The command register settings described herein are intended as a reference and for the purpose of understanding the registers in a software development environment. In actual practice, the LTC2975 can be completely configured for stand-alone operation with the DC1613 USB to I²C/SMBus/PMBus controller and software GUI using intuitive menu driven objects.

MEASURING INPUT CURRENT

The LTC2975 is capable of measuring the current of the input power source. The device also measures the input supply voltage, enabling it to calculate input power. The LTC2975 has an accurate internal time base allowing the chip to calculate input energy since energy is the product of power and time. The units for each of the measured parameters are amps, volts, watts, and millijoules.

Input current is measured by placing a sense resistor, R_{SENSE} , in series with the desired current load path as shown in Figure 25. If R_{SENSE} has low thermal drift characteristics, the MFR_IIN_CAL_GAIN_TC register value may be set to zero. Otherwise, choose a setting for the MFR_IIN_CAL_GAIN_TC value in units of ppm/°C to correct for R_{SENSE} thermal drift.

For best results, it is recommended to locate R_{SENSE} close to and isothermal with the LTC2975.

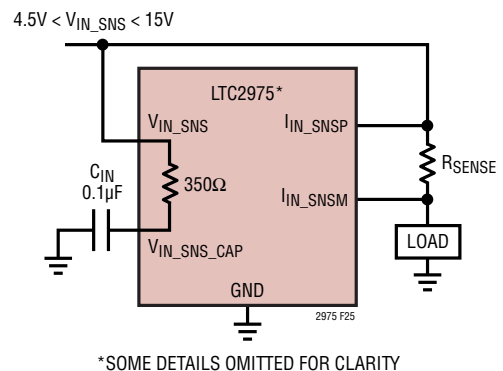


Figure 25. Powering LTC2975 from External 3.3V Supply

APPLICATIONS INFORMATION

The input current sense path includes an internal, anti-aliasing low pass filter with typical 32dB rejection at 62.5kHz. To improve high frequency current sense common mode rejection, add a 0.01 μ F capacitor, C_{IN} , to the $V_{IN_SNS_CAP}$ pin.

The $Mfr_ein_config_iin_range$ bits select one of three input current sense amplifier ranges: high, medium and low. The R_{SENSE} value should be chosen to satisfy the input range. The maximum allowable input ranges are as follows: ± 100 mV range for high range, ± 50 mV for medium range and ± 20 mV for low range. For best accuracy, use the lowest range setting encompassing the maximum input signal.

To help choose the R_{SENSE} value and $Mfr_ein_config_iin_range$ setting for your application, use the Electrical Characteristics table for TUE_IIN, along with Figures 26 and 27. Figures 26 and 27 serve as extrapolated guides while the Electrical Characteristics table shows tested TUE_IIN conditions. After selecting R_{SENSE} , write its value in m Ω to the $MFR_IIN_CAL_GAIN$ register, and $READ_IIN$ will return the sensed current in amps. Figures 26 and 27 show absolute value of the expected worst case $READ_IIN$ Total Unadjusted Error, TUE_IIN, in μ V and in relative % of current sense input voltage reading, V_{IIN_SNS} , as a function of V_{IIN_SNS} ($V_{IIN_SNSP} - V_{IIN_SNSN}$) for high range, medium range and low range settings.

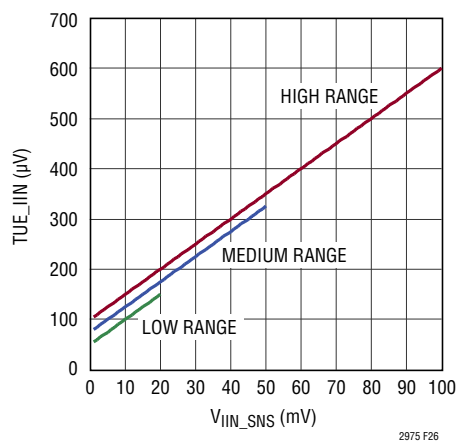


Figure 26. TUE_IIN vs READ_IIN Input Voltage in μ V

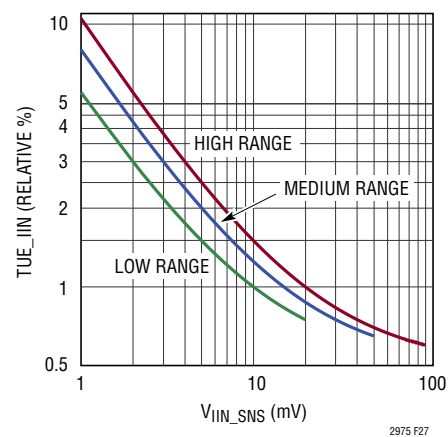


Figure 27. TUE_IIN vs READ_IIN Input Voltage in Percentage

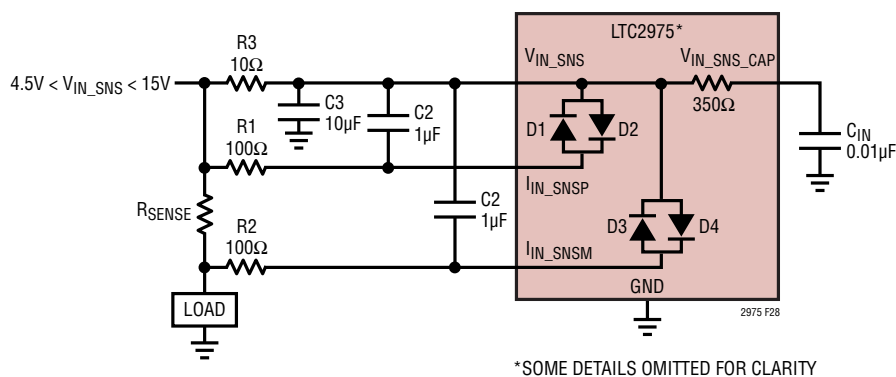


Figure 28. Optional V_{IIN_SNS} Filtering

APPLICATIONS INFORMATION

MEASURING INPUT VOLTAGE

READ_VIN returns input voltage on the V_{IN_SNS} pin. TUE_VIN reflects READ_VIN measurement error. Large ripple on the V_{IN_SNS} pin may affect READ_VIN, READ_PIN, and MFR_EIN accuracy. To reduce ripple induced measurement errors, consider adding the optional anti-aliasing filter components shown in Figure 28. R3 and C3 filter V_{IN_SNS} with 30dB attenuation at 62.5kHz. R1, R2, C1, C2 add additional filtering for IIN_SNS inputs and prevent the internal diodes, D1 to D4, from turning on.

MEASURING INPUT POWER

READ_PIN returns input power in watts calculated from the product of the most recent V_{VIN_SNS} and I_{IN_SNS} measurements. Although the Electrical Characteristics table only specifies READ_PIN Total Unadjusted Error (TUE_PIN) under typical conditions, TUE_PIN is actually bounded by the sum of TUE_IIN and TUE_VIN.

$$TUE_PIN \leq TUE_IIN + TUE_VIN$$

For example, if $15\text{mV} < |V_{IIN_SNS}| < 50\text{mV}$ with the current sense amplifier set for medium range, $TUE_IIN \leq 1\%$ and TUE_PIN is less than $1\% (TUE_IIN) + 0.5\% (TUE_VIN) = 1.5\%$.

Since current sense ranges include positive and negative inputs, READ_PIN returns signed values indicating power transfer magnitude and direction.

MEASURING INPUT ENERGY

The 12 byte data block, MFR_EIN, contains a 48-bit accumulated energy measurement in mJ, Energy_value[47:0], and a 48-bit elapsed time in milliseconds since energy began accumulating, Energy_time[47:0]. Refer to INPUT CURRENT AND ENERGY and MFR_COMMAND_PLUS sections of the PMBUS COMMAND DESCRIPTION for accumulated energy and elapsed time data access details. Energy_value can accumulate up to $(2^{48}-1)$ mJ of energy before wrapping. Energy can accumulate for $(2^{48}-1)$ ms, or about 8925 years, before Energy_time wraps. Accumulation of negative power measurements decreases Energy_value, and the energy meter saturates when it reaches 0 millijoules.

The energy meter time base error (TUE_ETB) specifies error in the internal energy time base accuracy: Energy_time is accurate with maximum error of TUE_ETB. Accumulated energy includes errors from current sense measurements, voltage sense measurements, and the internal time base. Energy_value error (TUE_EIN) is bounded by the summation of TUE_IIN, TUE_VIN, and TUE_ETB:

$$TUE_EIN \leq TUE_IIN + TUE_VIN + TUE_ETB$$

For example, if $V_{IIN_SNS} = 20\text{mV}$ with high current sense amplifier range, TUE_IIN is less than 1% error, TUE_VIN is less than 0.5% error, and TUE_ETB is less than 1.5% error. Therefore the energy measurement error (TUE_EIN) is less than 3%.

SEQUENCE, SERVO, MARGIN AND RESTART OPERATIONS

Command Units On or Off

Three control parameters determine how a particular channel is turned on and off: The CONTROL pins, the OPERATION command and the value of the input voltage measured at the V_{IN_SNS} pin (V_{IN}). In all cases, V_{IN} must exceed V_{IN_ON} in order to enable the device to respond to the CONTROL pins or OPERATION commands. When V_{IN} drops below V_{IN_OFF} an immediate OFF or sequence off after $TOFF_DELAY$ of all channels will result (See Mfr_config_track_enr). Refer to the OPERATION section in the data sheet for a detailed description of the ON_OFF_CONFIG command.

Some examples of typical ON/OFF configurations are:

1. A DC/DC converter may be configured to turn on any time V_{IN} exceeds V_{IN_ON} .
2. A DC/DC converter may be configured to turn on only when it receives an OPERATION command.
3. A DC/DC converter may be configured to turn on only via the CONTROL pin.
4. A DC/DC converter may be configured to turn on only when it receives an OPERATION command and the CONTROL pin is asserted.

APPLICATIONS INFORMATION

On Sequencing

The `TON_DELAY` command sets the amount of time that a channel will wait following the start of an ON sequence before its `VOUT_EN` pin will enable a DC/DC converter. Once the DC/DC converter has been enabled, the `TON_RISE` value determines the time at which the device soft-connects the DAC and servos the DC/DC converter output to the `VOUT_COMMAND` value. The `TON_MAX_FAULT_LIMIT` value determines the time at which the device checks for an undervoltage condition. If a `TON_MAX_FAULT` occurs, the channel can be configured to disable the DC/DC converter and propagate the fault to other channels using the bidirectional `FAULTB` pins. Figure 29 shows a typical on-sequence using the `CONTROL` pin. Note that overvoltage faults are checked against the `VOUT_OV_FAULT_LIMIT` value at all times the device is powered up and not in a reset state nor margining while ignoring OVs.

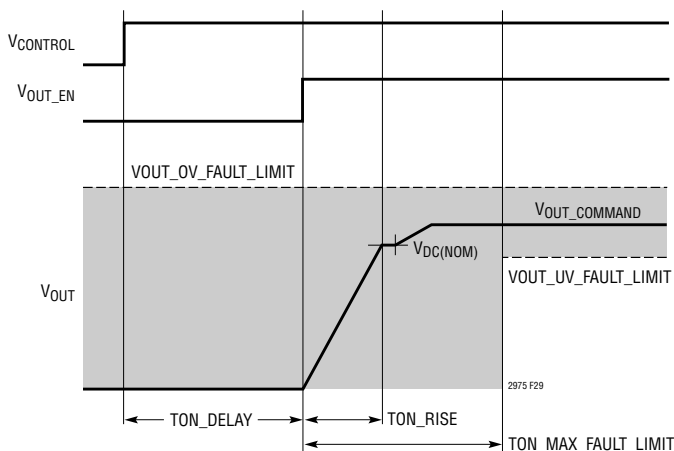


Figure 29. Typical ON Sequence Using Control Pin

On State Operation

Once a channel has reached the ON state, the `OPERATION` command can be used to command the DC/DC converter's output to margin high, margin low, or return to a nominal output voltage indicated by `VOUT_COMMAND`. The user also has the option of configuring a channel to continuously trim the output of the DC/DC converter to the `VOUT_COMMAND` voltage, or the channel's `VDACn` output can be placed in a high impedance state thus allowing the DC/DC converter output voltage to go to its nominal value,

`VDCn(NOM)`. Refer to the `MFR_CONFIG_LTC2975` command for details on how to configure the output voltage servo.

Servo Modes

The ADC, DAC and internal processor comprise a digital servo loop that can be configured to operate in several useful modes. The servo target refers to the desired output voltage.

Continuous/non-continuous trim mode: `MFR_CONFIG_LTC2975 b[7]`. In continuous trim mode, the servo will update the DAC in a closed loop fashion each time it takes a `VOUT` reading. The update rate is determined by the time it takes to step through the ADC MUX which is no more than `tUPDATE_ADC`. See Electrical Characteristics table Note 5. In non-continuous trim mode, the servo will drive the DAC until the ADC measures the output voltage desired and then stop updating the DAC.

As part of continuous/noncontinuous trim mode, fast servo mode can be used to speed up large output transitions, such as margin commands, or ON events. To use, set `Mfr_config_fast_servo_off = 0`. When enabled, fast servo is started by a change to the target voltage or a new softconnect. The DAC is ramped one lsb every `tS_VDAC` period until it is near the new target voltage, at which point slow servo mode is entered to avoid overshoot.

Non-continuous servo on warn mode: `MFR_CONFIG_LTC2975 b[7] = 0, b[6] = 1`. When in non-continuous mode, the LTC2975 will re-trim (re-servo) the output if the output drifts beyond the OV or UV warn limits.

DAC Modes

The DACs that drive the `VDACn` pins can operate in several useful modes. See `MFR_CONFIG_LTC2975`.

- Soft-connect. Using the LTC patented soft-connect feature, the DAC output is driven to within 1 LSB of the voltage at the DC/DC's feedback node before connecting, to avoid introducing transients on the output. This mode is used when servoing the output voltage. During startup, the LTC2975 waits until `TON_RISE` has expired before connecting the DAC. This is the most common operating mode.
- Disconnected. DAC output is high Z.

APPLICATIONS INFORMATION

- DAC manual with soft-connect. Non servo mode. The DAC soft connects to the feedback node. Soft-connect drives the DAC code to match the voltage at the feedback node. After connection, the DAC is moved by writing DAC codes to the MFR_DAC.
- DAC manual with hard connect. Non servo mode. The DAC hard connects to the feedback node using the current value in MFR_DAC. After connection, the DAC is moved by writing DAC codes to the MFR_DAC.

Margining

The LTC2975 margins and trims the output of a DC/DC converter by forcing a voltage across an external resistor connected between the DAC output and the feedback node or the trim pin. Preset limits for margining are stored in the VOUT_MARGIN_HIGH/LOW registers. Margining is actuated by writing the appropriate bits to the OPERATION register.

Margining requires the DAC to be connected. Margin requests that occur when the DAC is disconnected will be ignored.

Off Sequencing

An off sequence is initiated using the CONTROL pin or the OPERATION command. The TOFF_DELAY value determines the amount of time that elapses from the beginning of the off sequence until each channel's V_{OUT_EN} pin is pulled low, thus disabling its DC/DC converter.

V_{OUT} Off Threshold Voltage

The MFR_VOUT_DISCHARGE_THRESHOLD command register allows the user to specify the OFF threshold that the output voltage must decay below before the channel can enter/re-enter the ON state. The OFF threshold voltage is specified by multiplying MFR_VOUT_DISCHARGE_THRESHOLD and VOUT_COMMAND. In the event that an output voltage has not decayed below its OFF threshold before attempting to enter the ON state, the channel will continue to be held off, the appropriate bit is set in the STATUS_MFR_SPECIFIC register, and the ALERTB pin will be asserted low. When the output voltage has decayed below its OFF threshold, the channel can enter the ON state.

Automatic Restart via MFR_RESTART_DELAY Command and CONTROL Pin

An automatic restart sequence can be initiated by driving the CONTROL pin to the off state for >10 μ s and then releasing it. The automatic restart disables all V_{OUT_EN} pins that are mapped to a particular CONTROL pin for a time period = MFR_RESTART_DELAY and then starts all DC/DC Converters according to their respective TON_DELAYS. (see Figure 30). V_{OUT_EN} pins are mapped to one of the CONTROL pins by the MFR_CONFIG_LTC2975 command. This feature allows a host that is about to reset to restart the power in a controlled manner after it has recovered.

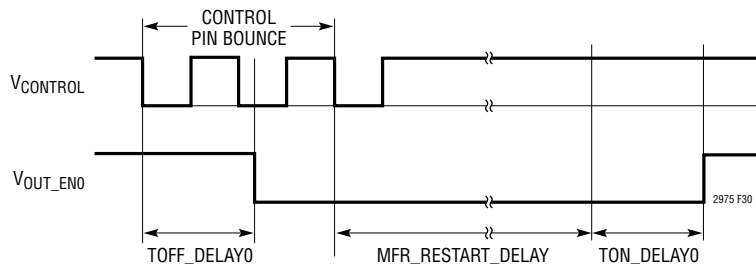


Figure 30. Off Sequence with Automatic Restart

APPLICATIONS INFORMATION

FAULT MANAGEMENT

Output Overvoltage, Undervoltage, Overcurrent and Undercurrent Faults

The high-speed voltage supervisor OV and UV fault thresholds are configured using the VOUT_OV_FAULT_LIMIT and VOUT_UV_FAULT_LIMIT commands, respectively. The VOUT_OV_FAULT_RESPONSE and VOUT_UV_FAULT_RESPONSE commands determine the responses to OV/UV faults. In addition, the high-speed current supervisor OC and UC fault thresholds are configured using the IOUT_OC_FAULT_LIMIT and IOUT_UC_FAULT_LIMIT commands, respectively. The IOUT_OC_FAULT_RESPONSE and IOUT_UC_FAULT_RESPONSE commands determine the responses to OC/UC faults. Fault responses can range from disabling the DC/DC converter immediately, waiting to see if the fault condition persists for some interval before disabling the DC/DC converter, or allowing the DC/DC converter to continue operating in spite of the fault. If a DC/DC converter is disabled, the LTC2975 can be configured to retry one to six times, retry continuously without limitation, or latch-off. The retry interval is specified using the MFR_RETRY_DELAY command. Latched faults are reset by toggling the CONTROL pin, using the OPERATION command, or removing and reapplying the bias voltage to the V_{IN_SNS} pin. All fault and warning conditions result in the ALERTB pin being asserted low and the corresponding bits being set in the status registers. The CLEAR_FAULTS command resets the contents of the status registers and de-asserts the ALERTB output.

Output Overvoltage, Undervoltage, and Overcurrent Warnings

OV, UV, and OC warning thresholds are processed by the LTC2975's ADC. These thresholds are set by the VOUT_OV_WARN_LIMIT, VOUT_UV_WARN_LIMIT, and IOUT_OC_WARN_LIMIT commands, respectively. Note that there is no I_{OUT} UC warning threshold. If a warning occurs, the corresponding bits are set in the status

registers and the ALERTB output is asserted low. Note that a warning will never cause a V_{OUT_EN} output pin to disable a DC/DC converter.

Configuring the AUXFAULTB Output

The AUXFAULTB output may be used to indicate an output OV, OC, or UC fault. Use the MFR_CONFIG2_LTC2975 and MFR_CONFIG3_LTC2975 registers to configure the AUXFAULTB pin to assert low in response to VOUT_OV, IOUT_OC or IOUT_UC fault conditions. The AUXFAULTB output will stop pulling low when the LTC2975 is commanded to re-enter the ON state following a faulted-off condition.

A charge-pumped 5 μ A pull-up to 12V is also available on the AUXFAULTB output. Refer to the MFR_CONFIG_ALL_LTC2975 register description in the PMBUS COMMAND DESCRIPTION section for more information.

Figure 31 shows an application circuit where the AUXFAULTB output is used to trigger a SCR crowbar on the intermediate bus in order to protect the DC/DC converter's load from a catastrophic fault such as a stuck top-gate.

Multi-Channel Fault Management

Multi-channel fault management is handled using the bidirectional FAULTB pins. Figure 32 illustrates the connections between channels and the FAULTB pins.

- The MFR_FAULTB_n_PROPAGATE command acts like a programmable switch that allows faulted_off conditions from a particular channel (PAGE) to propagate to either FAULTB output. The MFR_FAULTB_n_RESPONSE command controls similar switches on the inputs to each channel that allow any channel to shut down in response to any combination of the FAULTB pins. Channels responding to a FAULTB pin pulling low will attempt a new start sequence when the FAULTB pin in question is released by the faulted channel.
- A FAULTB pin can also be asserted low by an external driver in order to initiate an immediate off-sequence after a 10 μ s deglitch delay.

APPLICATIONS INFORMATION

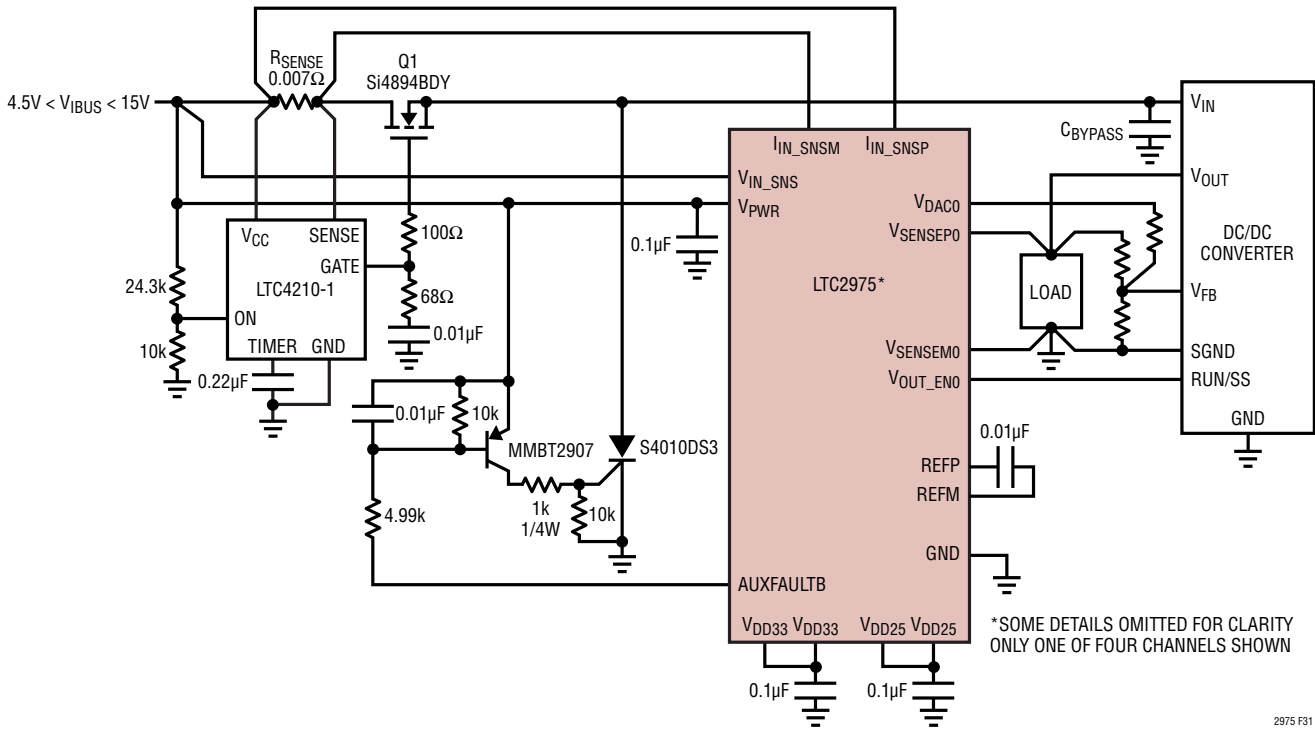


Figure 31. Application Circuit with Crowbar Protection on Intermediate Bus

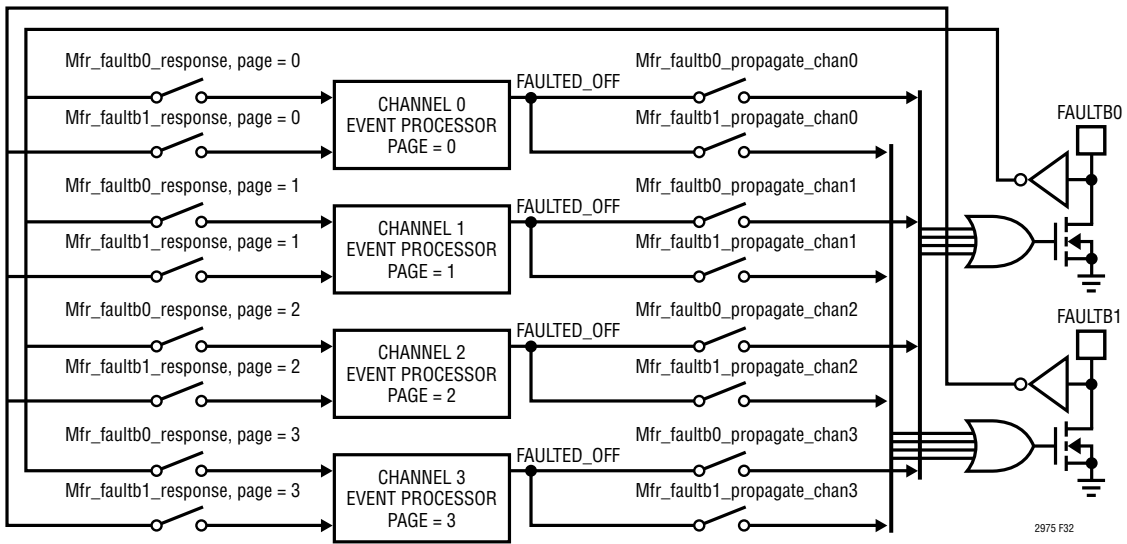


Figure 32. Channel Fault Management Block Diagram

APPLICATIONS INFORMATION

INTERCONNECT BETWEEN MULTIPLE LTC POWER MANAGERS

Figure 33 shows how to interconnect the pins in a typical multi-LTC2975 array.

- All V_{IN_SNS} lines should be tied together in a star type connection at the point where V_{IN} is to be sensed. This will minimize timing errors for the case where the `ON_OFF_CONFIG` is configured to start the LTC2975 based on V_{IN} and ignore the `CONTROL` line and the `OPERATION` command. In multi-part applications that are sensitive to timing differences, it is recommended that the `Vin_share_enable` bit of the `MFR_CONFIG_ALL_LTC2975` register be set high in order to allow `SHARE_CLK` to synchronize on/off sequencing in response to the `VIN_ON` and `VIN_OFF` thresholds.
- Connecting all `AUXFAULTB` lines together will allow selected faults on any DC/DC converter's output in the array to shut off a common input switch.
- `ALERTB` is typically one line in an array of PMBus converters. The LTC2975 allows a rich combination of faults and warnings to be propagated to the `ALERTB` pin.
- `WDI/RESETB` can be used to put the LTC2975 in the power-on reset state. Pull `WDI/RESETB` low for at least t_{RESETB} to enter this state.

- The `FAULTB` lines can be connected together to create fault dependencies. Figure 33 shows a configuration where a fault on any `FAULTB` will pull all others low. This is useful for arrays where it is desired to abort a startup sequence in the event any channel does not come up (see Figure 30).
- `PWRGD` reflects the status of the outputs that are mapped to it by the `MFR_PWRGD_EN` command. Figure 33 shows all the `PWRGD` pins connected together, but any combination may be used.

APPLICATION CIRCUITS

Trimming and Margining DC/DC Converters with External Feedback Resistors

Figure 35 shows a typical application circuit for trimming/margining a power supply with an external feedback network. The $V_{SENSEPO}$ and $V_{SENSEMO}$ differential inputs sense the load voltage directly, and a correction voltage is developed on the V_{DAC0} pin by the closed-loop servo algorithm. The V_{DAC0} output is connected to the DC/DC converter's feedback node through resistor R30. For this configuration, set `Mfr_config_dac_pol` to 0.

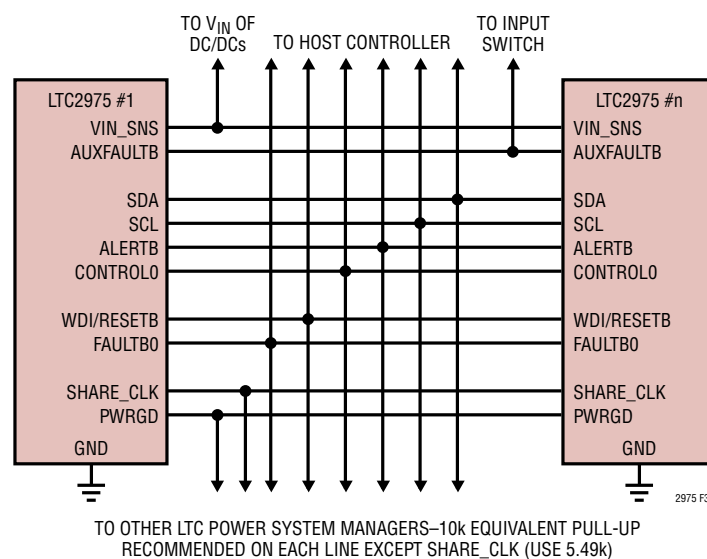


Figure 33. Typical Connections Between Multiple LTC Power System Managers

APPLICATIONS INFORMATION

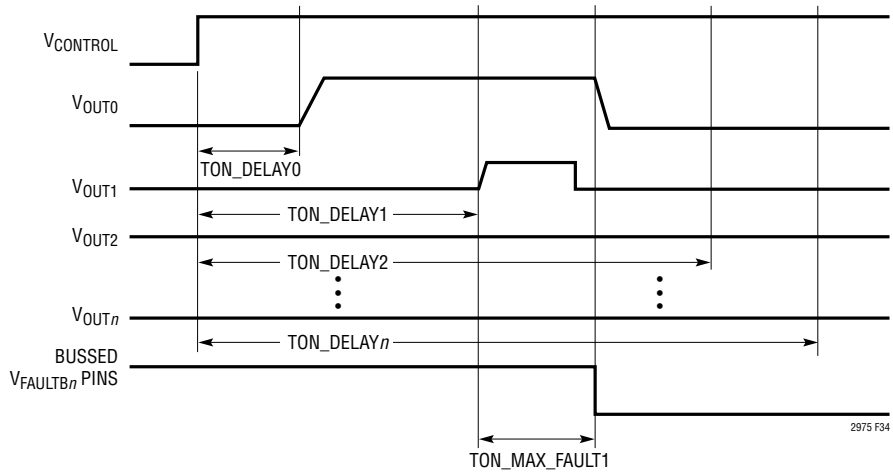


Figure 34. Aborted On-Sequence Due to Channel 1 Short

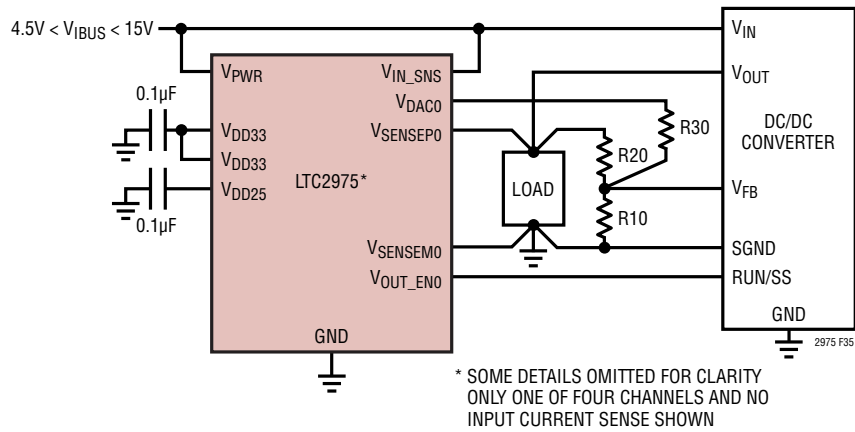


Figure 35. Application Circuit for DC/DC Converters with External Feedback Resistors

APPLICATIONS INFORMATION

Four-Step Resistor Selection Procedure for DC/DC Converters with External Feedback Resistors

The following four-step procedure should be used to calculate the resistor values required for the application circuit shown in Figure 35.

1. Assume values for feedback resistor R20 and the nominal DC/DC converter output voltage $V_{DC(NOM)}$, and solve for R10.

$V_{DC(NOM)}$ is the output voltage of the DC/DC converter when the LTC2975's V_{DAC0} pin is in a high impedance state. R10 is a function of R20, $V_{DC(NOM)}$, the voltage at the feedback node (V_{FB}) when the loop is in regulation, and the feedback node's input current (I_{FB}).

$$R10 = \frac{R20 \cdot V_{FB}}{V_{DC(NOM)} - I_{FB} \cdot R20 - V_{FB}} \quad (1)$$

2. Solve for the value of R30 that yields the maximum required DC/DC converter output voltage $V_{DC(MAX)}$.

When V_{DAC0} is at 0V, the output of the DC/DC converter is at its maximum voltage.

$$R30 \leq \frac{R20 \cdot V_{FB}}{V_{DC(MAX)} - V_{DC(NOM)}} \quad (2)$$

3. Solve for the minimum value of V_{DAC0} that's needed to yield the minimum required DC/DC converter output voltage $V_{DC(MIN)}$.

The DAC has two full-scale settings, 1.38V and 2.65V. In order to select the appropriate full-scale setting, calculate the minimum required V_{FS_VDAC} output voltage:

$$V_{FS_VDAC} > (V_{DC(NOM)} - V_{DC(MIN)}) \cdot \frac{R30}{R20} + V_{FB} \quad (3)$$

4. Re-calculate the minimum, nominal, and maximum DC/DC converter output voltages and the resulting margining resolution.

$$V_{DC(NOM)} = V_{FB} \cdot \left(1 + \frac{R20}{R10}\right) + I_{FB} \cdot R20 \quad (4)$$

$$V_{DC(MIN)} = V_{DC(NOM)} - \frac{R20}{R30} \cdot (V_{FS_VDAC} - V_{FB}) \quad (5)$$

$$V_{DC(MAX)} = V_{DC(NOM)} + \frac{R20}{R30} \cdot V_{FB} \quad (6)$$

$$V_{RES} = \frac{\frac{R20}{R30} \cdot V_{FS_VDAC}}{1023} \text{ V/DAC LSB} \quad (7)$$

Trimming and Margining DC/DC Converters with a TRIM Pin

Figure 36 illustrates a typical application circuit for trimming/margining the output voltage of a DC/DC converter with a TRIM Pin. The LTC2975's V_{DAC0} pin connects to the TRIM pin through resistor R30. For this configuration, set the DAC polarity bit `Mfr_config_dac_pol` in `MFR_CONFIG_LTC2975` to 1.

DC/DC converters with a TRIM pin may be margined high or low by connecting an external resistor between the TRIM pin and either the V_{SENSEP} or V_{SENSEM} pin. The relationships between these resistors and the $\Delta\%$ change in the output voltage of the DC/DC converter are typically expressed as:

$$R_{TRIM_DOWN} = \frac{R_{TRIM} \cdot 50}{\Delta_{DOWN}\%} - R_{TRIM} \quad (8)$$

$$R_{TRIM_UP} =$$

$$R_{TRIM} \cdot \left[\frac{V_{DC} \cdot (100 + \Delta_{UP}\%)}{2 \cdot V_{REF} \cdot \Delta_{UP}\%} - \left(\frac{50}{\Delta_{UP}\%} \right) - 1 \right] \quad (9)$$

where R_{TRIM} is the resistance looking into the TRIM pin, V_{REF} is the TRIM pin's open-circuit output voltage and V_{DC} is the DC/DC converter's nominal output voltage. $\Delta_{UP}\%$ and $\Delta_{DOWN}\%$ denote the percentage change in the converter's output voltage when margining up or down, respectively.

APPLICATIONS INFORMATION

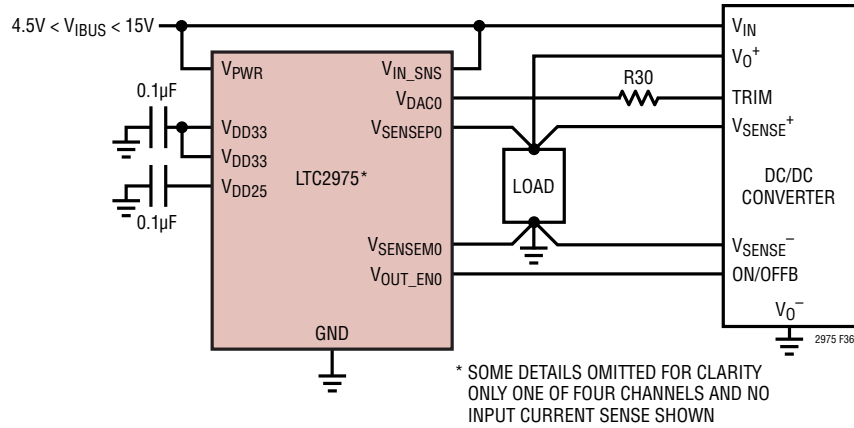


Figure 36. Application Circuit for DC/DC Converters with Trim Pin

Two-Step Resistor and DAC Full-Scale Voltage Selection Procedure for DC/DC Converters with a TRIM Pin

The following two-step procedure should be used to calculate the resistor value for R30 and the required full-scale DAC voltage (refer to Figure 36).

1. Solve for R30:

$$R30 \leq R_{TRIM} \cdot \left(\frac{50 - \Delta_{DOWN} \%}{\Delta_{DOWN} \%} \right) \quad (10)$$

2. Calculate the maximum required output voltage for V_{DAC0}:

$$V_{DAC0} \geq \left(1 + \frac{\Delta_{UP} \%}{\Delta_{DOWN} \%} \right) \cdot V_{REF} \quad (11)$$

Note: Not all DC/DC converters follow these trim equations, especially newer bricks. Consult LTC Field Application Engineering.

Measuring Output with a Sense Resistor

A circuit for measuring current with a sense resistor is shown in Figure 37. The balanced filter rejects both common mode and differential mode noise from the output of the DC/DC converter. The filter is placed directly across the sense resistor in series with the DC/DC converter’s inductor. Note that the current sense inputs must be limited to less than 6V with respect to ground. Select R_{CM} and C_{CM} such that the filter’s corner frequency is < 1/10 the DC/DC converter’s switching frequency. This will result in a current sense waveform that offers a good compromise

between the voltage ripple and the delay through the filter. A value 1kΩ for R_{CM} is suggested in order to minimize gain errors due to the current sense inputs’ internal resistance.

Measuring Output with Inductor DCR

Figure 38 shows the circuit for applications that require DCR current sense. A second order R-C filter is required in these applications in order to minimize the ripple voltage seen at the current sense inputs. A value of 1kΩ is suggested for R_{CM1} and R_{CM2} in order to minimize gain errors due the current sense inputs’ internal resistance. C_{CM1} should be selected to provide cancellation of the zero created by the DCR and inductance, i.e. C_{CM1} = L/(DCR • R_{CM1}). C_{CM2} should be selected to provide a second stage corner frequency at < 1/10 of the

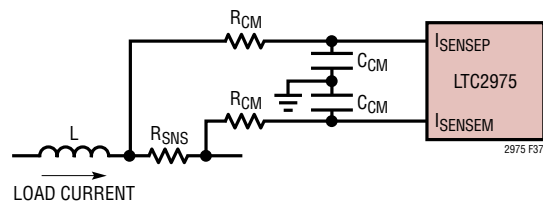


Figure 37. Sense Resistor Current Sensing Circuits

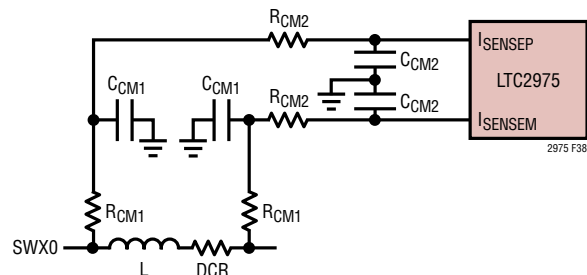


Figure 38. DCR Current Sensing Circuits

APPLICATIONS INFORMATION

DC/DC converter's switching frequency. In addition, C_{CM2} needs to be much smaller than C_{CM1} in order to prevent significant loading of the filter's first stage.

Single Phase Design Example

As a design example for a DCR current sense application, assume $L = 2.2\mu\text{H}$, $\text{DCR} = 10\text{m}\Omega$, and $F_{\text{SW}} = 500\text{kHz}$.

Let $R_{CM1} = 1\text{k}\Omega$ and solve for C_{CM1} :

$$C_{CM1} \geq \frac{2.2\mu\text{H}}{10\text{m}\Omega \cdot 1\text{k}\Omega} = 220\text{nF}$$

Let $R_{CM2} = 1\text{k}\Omega$. In order to get a second pole at $F_{\text{SW}}/10 = 50\text{kHz}$:

$$C_{CM2} \cong \frac{1}{2\pi \cdot 50\text{kHz} \cdot 1\text{k}\Omega} = 3.18\text{nF}$$

Let $C_{CM2} = 3.3\text{nF}$. Note that since C_{CM2} is much less than C_{CM1} the loading effects of the second stage filter on the matched first stage are not significant. Consequently, the delay time constant through the filter for the current sense waveform will be approximately $3\mu\text{s}$.

Measuring Multiphase Currents

For current sense applications with more than one phase, R-C averaging may be employed. Figure 39 shows an example of this approach for a 3-phase system with DCR current sensing. The current sense waveforms are averaged

together prior to being applied to the second stage of the filter consisting of R_{CM2} and C_{CM2} . Because the R_{CM1} resistors for the three phases are in parallel, the value of R_{CM1} must be multiplied by the number of phases. Also note that since the DCRs are effectively in parallel, the value for IOUT_CAL_GAIN will be equal to the inductor's DCR divided by the number of phases. Care should be taken in the layout of the multiphase inductors to keep the PCB trace resistance from the DC side of each inductor to the summing node balanced in order to provide the most accurate results.

Multiphase Design Example

Using the same values for inductance and DCR from the previous design example, the value for R_{CM1} will be $3\text{k}\Omega$ for a three phase DC/DC converter if C_{CM1} is left at 220nF . Similarly, the value for IOUT_CAL_GAIN will be $\text{DCR}/3 = 3.33\text{m}\Omega$.

Anti-aliasing Filter Considerations

Noisy environments require an anti-aliasing filter on the input to the LTC2975's ADC. The R-C circuit shown in Figure 40 is adequate for most situations. Keep $R_{40} = R_{50} \leq 200\Omega$ to minimize ADC gain errors, and select a value for capacitors C_{10} and C_{20} that doesn't add too much additional response time to the OV/UV supervisor, e.g. $\tau = 10\mu\text{s}$ ($R = 100\Omega$, $C = 0.10\mu\text{F}$).

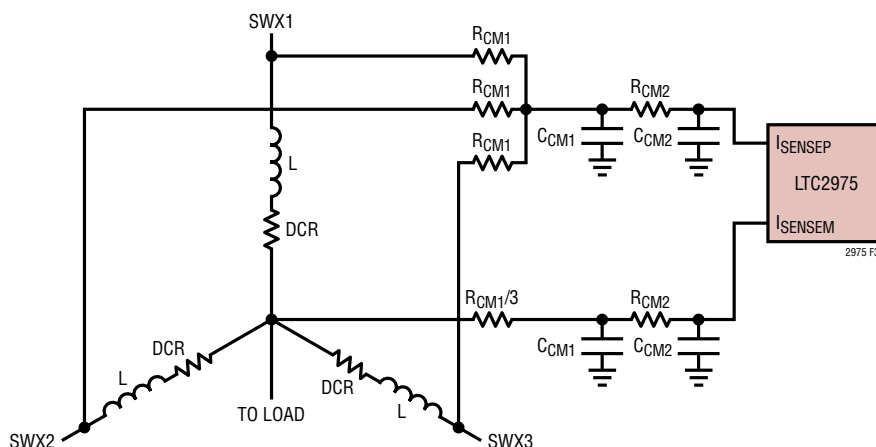


Figure 39. Multiphase DCR Current Sensing Circuits

APPLICATIONS INFORMATION

Figure 42 and Figure 43 illustrate application schematics for powering, programming and communicating with one or more LTC2975's via the LTC I²C/SMBus/PMBus controller regardless of whether or not system power is present.

Figure 42 shows the recommended schematic to use when the LTC2975 is powered by the system intermediate bus through its V_{PWR} pin.

Figure 43 shows the recommended schematic to use when the LTC2975 is powered by the system 3.3V through its V_{DD33} and V_{PWR} pins. The LTC4412 ideal OR'ing circuit allows either the controller or system to power the LTC2975.

Because of the controller's limited current sourcing capability, only the LTC2975s, their associated pull-up resistors and the I²C/SMBus pull-up resistors should be powered from the ORed 3.3V supply. In addition, any device sharing I²C/SMBus bus connections with the LTC2975 should not have body diodes between the SDA/SCL pins and its V_{DD} node because this will interfere with bus communication in the absence of system power.

The LTC controller's I²C/SMBus connections are opto-isolated from the PC's USB. The 3.3V from the controller and the LTC2975's V_{DD33} pin can be paralleled because the LTC LDOs that generate these voltages can be back driven and draw <10μA. The controller's 3.3V current limit is 100mA.

ACCURATE DCR TEMPERATURE COMPENSATION

Using the DC resistance of the inductor as a current shunt element has several advantages – no additional power loss, lower circuit complexity and cost. However, the strong temperature dependence of the inductor resistance and the difficulty in measuring the exact inductor core temperature introduce errors in the current measurement. For copper, a change of inductor temperature of only 1°C corresponds to approximately 0.39% current gain change. Figure 44 shows a sample layout using the integrated DC/DC converter LTC3601 (right) and its corresponding thermal image (left). The converter is providing 1.8V, 1.5A to the output load.

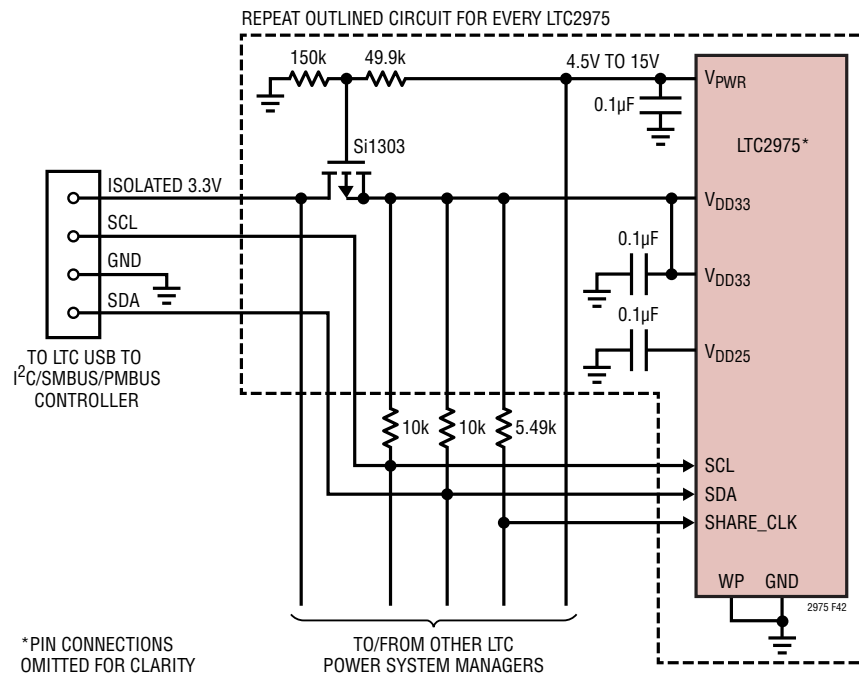


Figure 42. LTC Controller Connections When V_{PWR} Is Used

APPLICATIONS INFORMATION

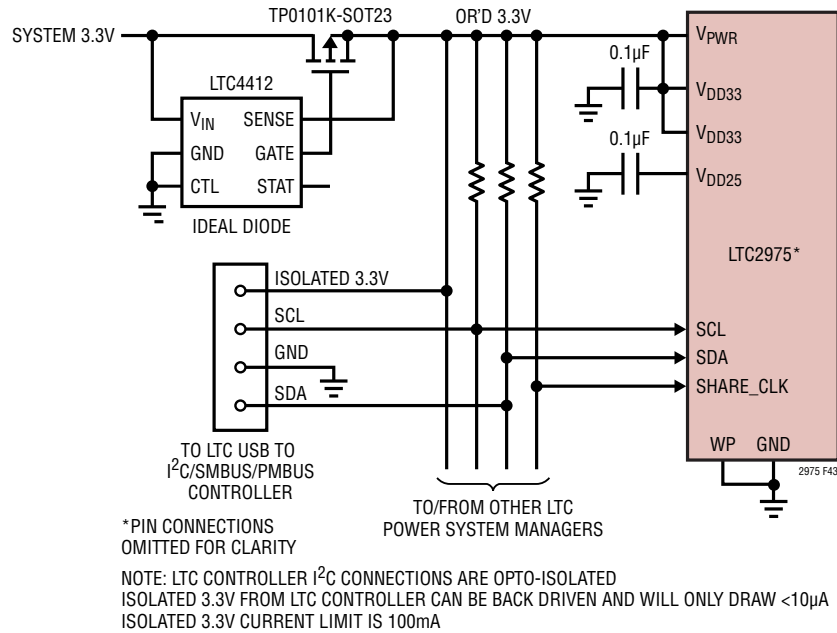


Figure 43. LTC Controller Connections When LTC2975 Is Powered Directly from 3.3V

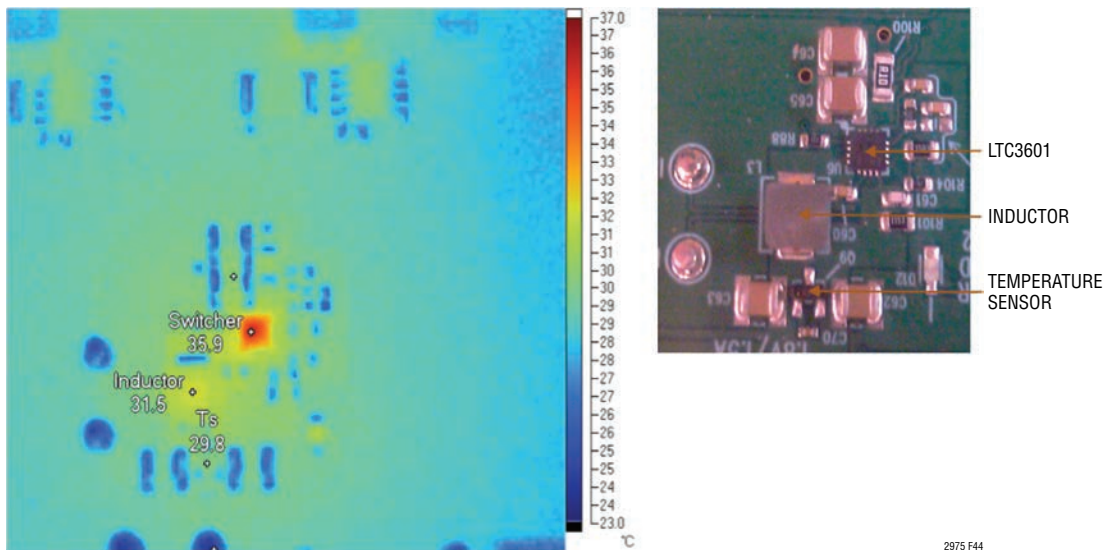


Figure 44. Thermal Image of a DC/DC Converter Showing the Difference Between the Actual Inductor Temperature and the Temperature Sensing Point

APPLICATIONS INFORMATION

Heat dissipation in the inductor under high load conditions creates transient and steady state thermal gradients between the inductor and the temperature sensor, and the sensed temperature does not accurately represent the inductor core temperature. This temperature gradient is clearly visible in the thermal image of Figure 44. In addition, transient heating/cooling effects have to be accounted for in order to reduce the transient errors introduced when load current changes are faster than heat transfer time constants of the inductor. Both of these problems are addressed by introducing two additional parameters: the thermal resistance θ_{IS} from the inductor core to the on-board temperature sensor, and the inductor thermal time constant τ . The thermal resistance θ_{IS} [$^{\circ}\text{C}/\text{W}$], is used to calculate the steady state difference between the sensed temperature T_S and the internal inductor temperature T_I for a given power dissipated in the inductor P_I :

$$T_I - T_S = \theta_{IS} P_I = \theta_{IS} V_{\text{DCR}} I_{\text{OUT}} \quad (1.1)$$

The additional temperature rise is used for a more accurate estimate of the inductor DC resistance R_I :

$$R_I = R_0 (1 + \alpha [T_S - T_{\text{REF}} + \theta_{IS} V_{\text{DCR}} I_{\text{OUT}}]) \quad (1.2)$$

In these equations, V_{DCR} is the inductor DC voltage drop, I_{OUT} is the RMS value of the output current, R_0 is the inductor DC resistance at the reference temperature T_{REF} and α is the temperature coefficient of the resistance. Since most inductors are made of copper, we can expect a temperature coefficient close to $\alpha_{\text{CU}} = 3900\text{ppm}/^{\circ}\text{C}$. For a given α , the remaining parameters θ_{IS} and R_0 can be calibrated at a single temperature using only two load currents:

$$R_0 = \frac{(R_2 - R_1)(P_2 + P_1) - (R_2 + R_1)(P_2 - P_1)}{\alpha(T_2 - T_1)(P_2 + P_1) - (P_2 - P_1)(2 + \alpha[T_1 + T_2 - 2T_{\text{REF}}])} \quad (1.3)$$

$$\theta_{IS} = \frac{1}{\alpha R_0} \frac{\alpha(R_1 + R_2)(T_2 - T_1) - (R_2 - R_1)(2 + \alpha[T_1 + T_2 - 2T_{\text{REF}}])}{\alpha(T_2 - T_1)(P_2 + P_1) - (P_2 - P_1)(2 + \alpha[T_1 + T_2 - 2T_{\text{REF}}])} \quad (1.4)$$

The inductor resistance, $R_K = V_{\text{DCR}(K)}/I_{\text{OUT}(K)}$, power dissipation $P_K = V_{\text{DCR}(K)} I_{\text{OUT}(K)}$ and the sensed temperature T_K , ($K = 1, 2$) are recorded for each load current. To increase the accuracy in calculating θ_{IS} , the two load currents should be chosen around $I_1 = 10\%$ and $I_2 = 90\%$ of the current range of the system.

The inductor thermal time constant τ models the first order thermal response of the inductor and allows accurate DCR compensation during load transients. During a transition from low to high load current, the inductor resistance increases due to the self-heating. If we apply a single load step from the low current I_1 to the higher current I_2 , the voltage across the inductor will change instantaneously from $I_1 R_1$ to $I_2 R_1$ and then slowly approach $I_2 R_2$. Here R_1 is the steady state resistance at the given temperature and load current I_1 , and R_2 is the slightly higher DC resistance at I_2 , due to the inductor self-heating. Note that the electrical time constant $\tau_{\text{EL}} = L/R$ is several orders of magnitude shorter than the thermal one, and “instantaneous” is relative to the thermal time constant. The two settled regions give us the data sets (I_1, T_1, R_1, P_1) and (I_2, T_2, R_2, P_2) and the two-point calibration technique (1.3-1.4) is used to extract the steady-state parameters θ_{IS} and R_0 (given a previously characterized average α). The relative current error calculated using the steady-state expression (1.2) will peak immediately after the load step, and then decay to zero with the inductor thermal time constant τ .

$$\frac{\Delta I}{I}(t) = \alpha \theta_{IS} (V_2 \cdot I_2 - V_1 \cdot I_1) e^{-t/\tau} \quad (1.5)$$

The time constant τ is calculated from the slope of the best-fit line $y = \ln(\Delta I/I) = a_1 + a_2 t$:

$$\tau = -\frac{1}{a_2} \quad (1.6)$$

In summary, a single load current step is all that is needed to calibrate the DCR current measurement. The stable portions of the response give us the thermal resistance θ_{IS} and nominal DC resistance R_0 , and the settling characteristic is used to measure the inductor thermal time constant τ .

To get the best performance, the temperature sensor has to be as close as possible to the inductor and away from other significant heat sources. For example in Figure 44, the bipolar sense transistor is close to the inductor and away from the switcher. Connect the collector of the PNP to the base. Route the base and emitter separately to the LTC2975. Connect base and collector to the signal ground close to LTC2975.

APPLICATIONS INFORMATION

LTpowerPlay: AN INTERACTIVE GUI FOR POWER MANAGERS

LTpowerPlay is a powerful Windows based development environment that supports Linear Technology power manager ICs with EEPROM, including the LTC2975. The software supports a variety of different tasks. You can use LTpowerPlay to evaluate Linear Technology ICs by connecting to a demo board system. LTpowerPlay can also be used in an offline mode (with no hardware present) in order to build a multi-chip configuration file that can be saved and re-loaded at a later time. LTpowerPlay provides unprecedented diagnostic and debug features. It becomes a valuable diagnostic tool during board bring-up

to program the power management scheme in a system. LTpowerPlay utilizes Linear Technology's DC1613 USB-to-I²C/SMBus/PMBus Controller to communicate with one of many potential targets including the DC2022 demo board set, the DC1508 socketed programming board, or a customer target system. The software also provides an automatic update feature to keep the software current with the latest set of device drivers and documentation. A great deal of context sensitive help is available within LTpowerPlay along with several tutorial demos. Complete information is available at:

www.linear.com/ltpowerplay

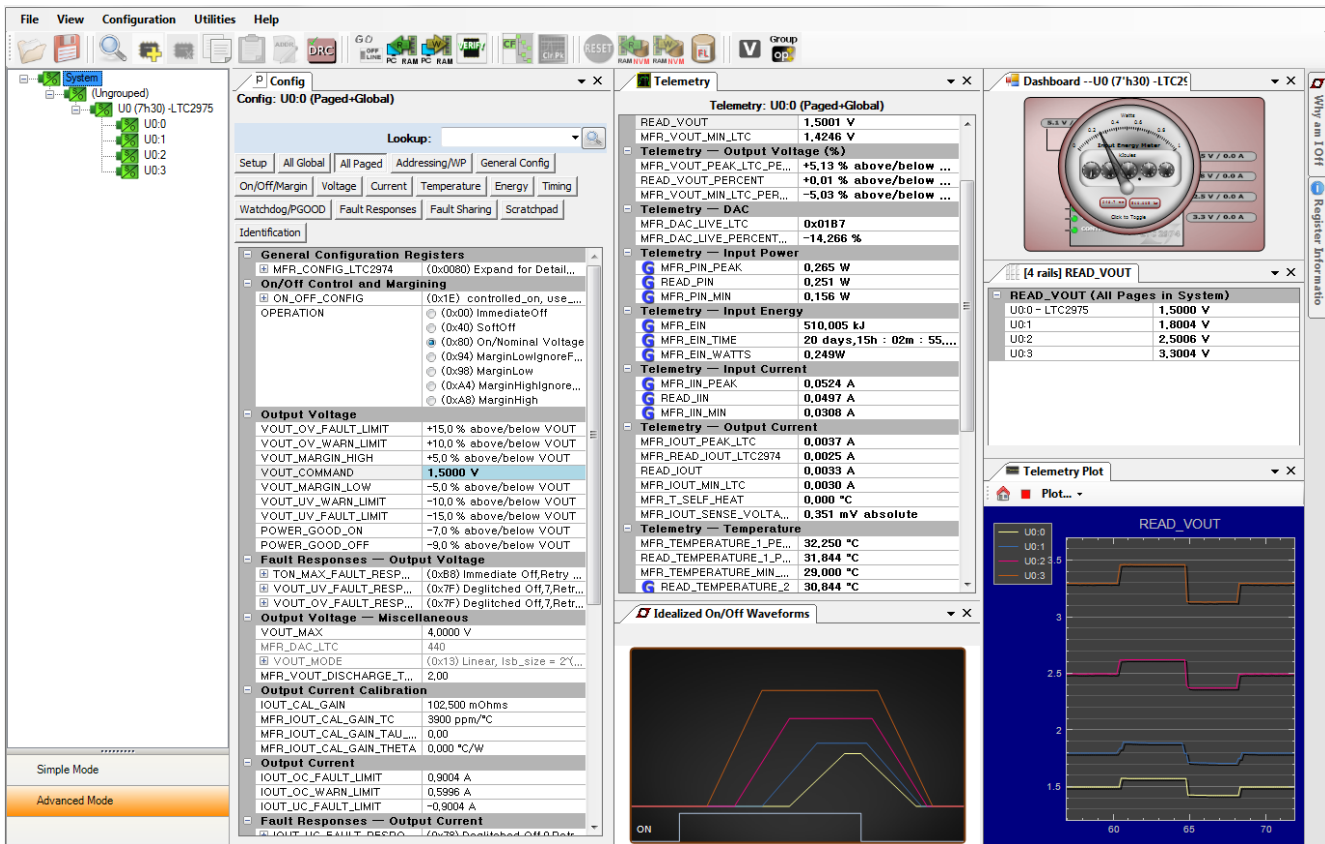


Figure 45. LTpowerPlay Snapshot

APPLICATIONS INFORMATION

PCB ASSEMBLY AND LAYOUT SUGGESTIONS

Bypass Capacitor Placement

The LTC2975 requires 0.1 μ F bypass capacitors between the V_{DD33} pins and GND, the V_{DD25} pin and GND, the REFP pin and REFM pin, and a 10nF capacitor between the VIN_SNS_CAP pin and GND. If the chip is being powered from the V_{PWR} input, then that pin should also be bypassed to GND by a 0.1 μ F capacitor. In order to be effective, these capacitors should be made of a high quality ceramic dielectric such as X5R or X7R and be placed as close to the chip as possible.

Exposed Pad Stencil Design

The LTC2975's package is thermally and electrically efficient. This is enabled by the exposed die attach pad on the under side of the package which must be soldered down to the PCB or mother board substrate. It is a good practice to minimize the presence of voids within the exposed pad inter-connection. Total elimination of voids is difficult, but the design of the exposed pad stencil is key. Figure 46 shows a suggested screen print pattern. The proposed stencil design enables out-gassing of the solder paste during reflow as well as regulating the finished solder thickness. See IPC7525A.

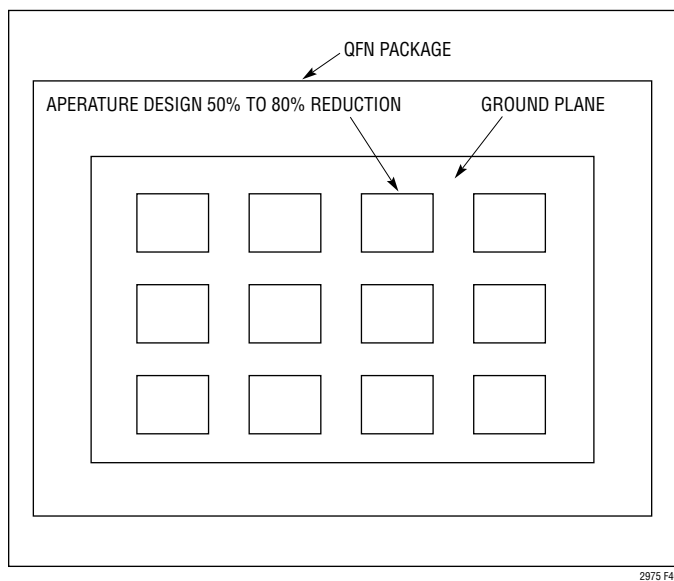


Figure 46. Suggested Screen Pattern for Die Attach Pad

PCB Board Layout

Mechanical stress on a PC board and soldering-induced stress can cause the LTC2975's reference voltage and the voltage drift to shift. A simple way to reduce the stress-related shifts is to mount the IC near the short edge of the PC board, or in a corner. The board acts as a stress boundary, or a region where the flexure of the board is minimal.

The LTC2975's READ_IIN input current sense amplifier has very low offsets enabling accurate current, power, and energy readings. PC Board routing to current sense inputs may create a thermal voltage offset if differential routing paths cross dissimilar metal boundaries in the presence of a thermal gradient. To minimize thermal voltages, route differential current sense inputs as close together as possible, and minimize vias. If vias are necessary, make sure to place both positive and negative current sense path vias are close together to minimize the temperature difference.

Unused ADC Sense Inputs

Connect all unused ADC sense inputs ($V_{SENSEPN}$ or $V_{SENSEMN}$) to GND. In a system where the inputs are connected to removable cards and may be left floating in certain situations, connect the inputs to GND using 100k resistors. Place the 100k resistors before any filter components, as shown in Figure 47, to prevent loading of the filter.

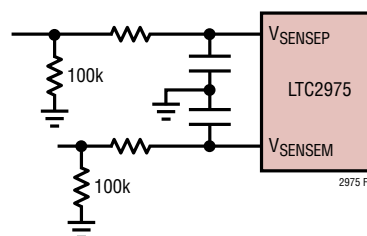


Figure 47. Connecting Unused Inputs to GND

APPLICATIONS INFORMATION

DESIGN CHECKLIST

I²C

- The address select pins (ASEL_n) are tri-level; Check Table 1.
- Check addresses for collision with other devices on the bus and any global addresses.

Output Enables

- Use appropriate pull-up resistors on all V_{OUT_EN_n} pins.
- Verify that the absolute maximum ratings of the V_{OUT_EN_n} pins are not exceeded.

V_{IN} Sense

- No external resistive divider is required to sense V_{IN}; V_{IN_SNS} already has an internal calibrated divider.

Input Current Sense

- Verify that I_{IN_SNSP} and I_{IN_SNSM} pins do not exceed absolute maximum ratings.
- Add a 10nF capacitor to VIN_SNS_CAP

External Temperature Sense

- Verify the PNP sense transistor is close to the inductor and away from other significant heat sources.
- Verify the PNP sense transistor emitter routes to the LTC2975, and the base and collector connect to signal ground near the LTC2975.

Logic Signals

- Verify the absolute maximum ratings of the digital pins (SCL, SDA, ALERTB, FAULTB_n, CONTROL_n, SHARE_CLK, WDI, ASEL_n, PWRGD) are not exceeded.
- Connect all SHARE_CLK pins in the system together and pull up to 3.3V with a 5.49k resistor.
- Do not leave CONTROL_n pins floating. Pull up to 3.3V with a 10k resistor.
- Tie WDI/RESETB to V_{DD33} with a 10k resistor. Do not connect a capacitor to the WDI/RESETB pin.
- Tie WP to either V_{DD33} or GND. Do not leave floating.

Unused Inputs

- Connect all unused V_{SENSE_nP}, V_{SENSE_nM}, I_{SENSE_nP}, I_{SENSE_nM}, and T_{SENSE_n} pins to GND. Do not float unused inputs. Refer to Unused ADC Sense Inputs in the Applications Information section.
- If not used, connect I_{IN_SNSP} and I_{IN_SNSM} pins to the V_{IN_SNS} pin.

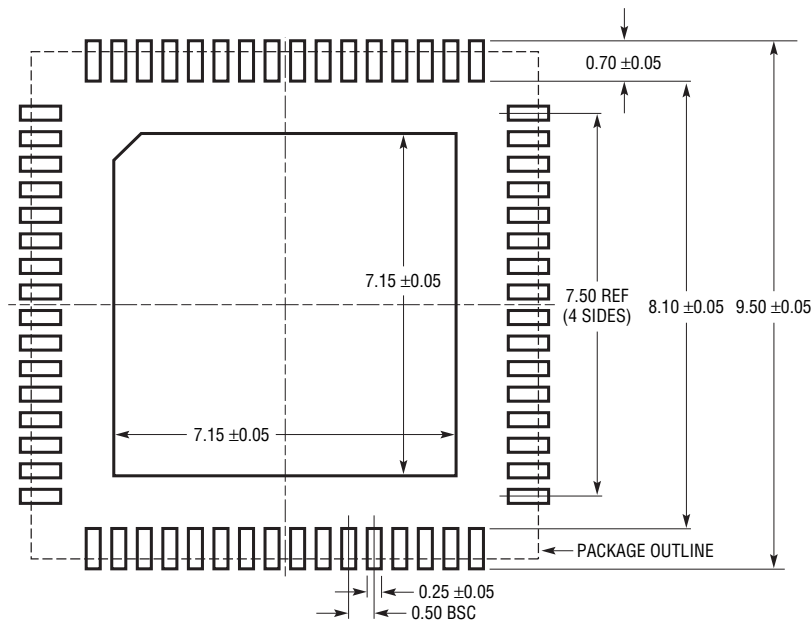
DAC Outputs

- Select appropriate resistor for desired margin range. Refer to the resistor selection tool in LTpowerPlay for assistance.
- For a more complete list of design considerations and a schematic checklist, see the LTpowerPlay help menu.

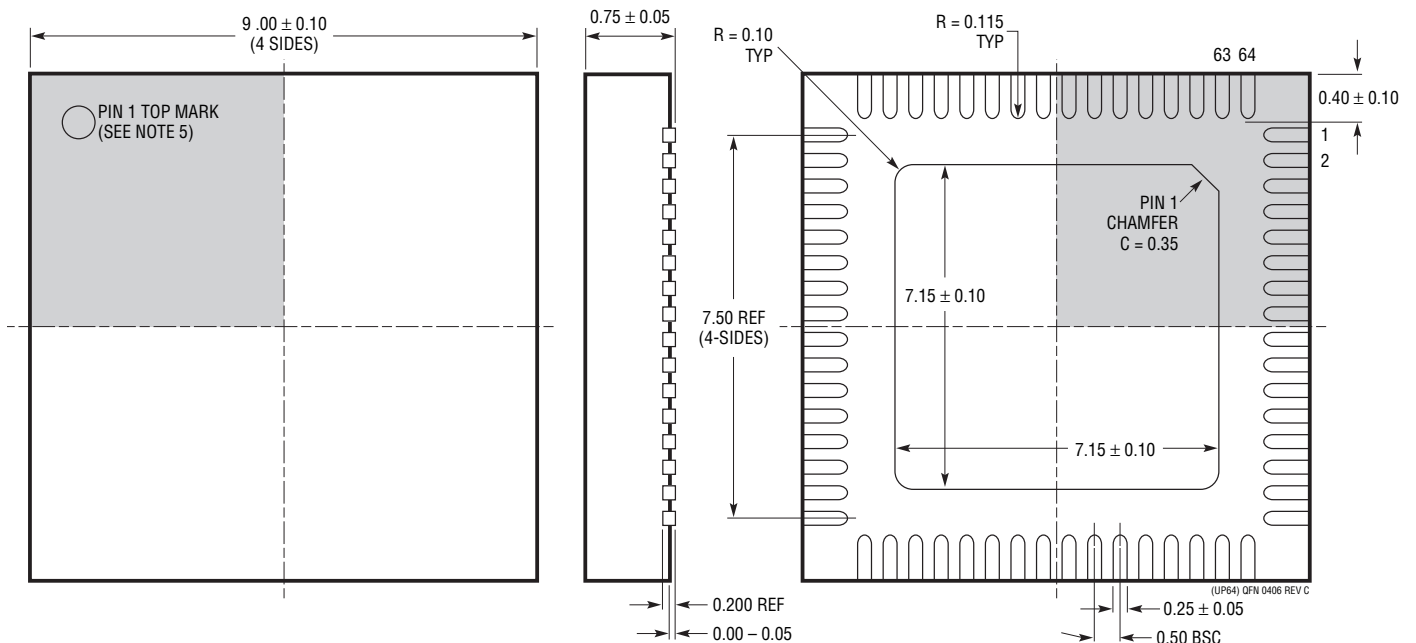
PACKAGE DESCRIPTION

Please refer to <http://www.linear.com/designtools/packaging/> for the most recent package drawings.

UP Package
64-Lead Plastic QFN (9mm × 9mm)
 (Reference LTC DWG # 05-08-1705 Rev C)



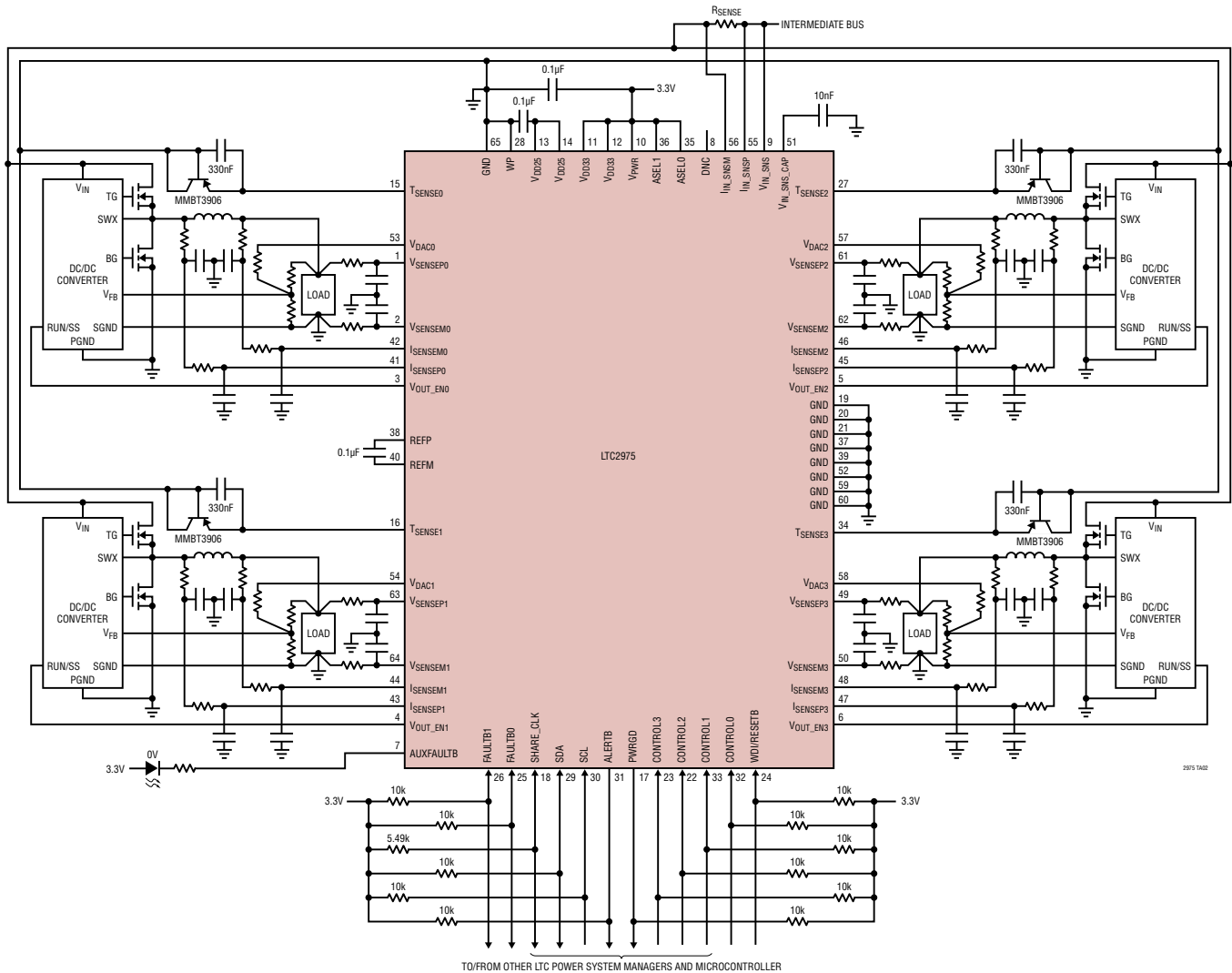
RECOMMENDED SOLDER PAD PITCH AND DIMENSIONS
 APPLY SOLDER MASK TO AREAS THAT ARE NOT SOLDERED



BOTTOM VIEW—EXPOSED PAD

- NOTE:
1. DRAWING CONFORMS TO JEDEC PACKAGE OUTLINE MO-220 VARIATION WNJR-5
 2. ALL DIMENSIONS ARE IN MILLIMETERS
 3. DIMENSIONS OF EXPOSED PAD ON BOTTOM OF PACKAGE DO NOT INCLUDE MOLD FLASH. MOLD FLASH, IF PRESENT, SHALL NOT EXCEED 0.20mm ON ANY SIDE, IF PRESENT
 4. EXPOSED PAD SHALL BE SOLDER PLATED
 5. SHADED AREA IS ONLY A REFERENCE FOR PIN 1 LOCATION ON THE TOP AND BOTTOM OF PACKAGE
 6. DRAWING NOT TO SCALE

TYPICAL APPLICATION



RELATED PARTS

| PART NUMBER | DESCRIPTION | COMMENTS |
|-------------------------|-------------------------------------------------------------------------------|------------------------------------------------------------------------------|
| LTC2970 | Dual I ² C Power Supply Monitor and Margining Controller | 5V to 15V, ±0.5% TUE 14-Bit ADC, 8-Bit DAC, Temperature Sensor |
| LTC2974 | 4-Channel Power System Manager | 0.25% TUE 16-Bit ADC, Voltage/Current/Temperature Monitoring and Supervision |
| LTC2977 | 8-Channel Power System Manager | 0.25% TUE 16-Bit ADC, Voltage/Temperature Monitoring and Supervision |
| LTM2987 | 16-Channel μModule PMBus Power System Manager | 0.25% TUE 16-Bit ADC, Voltage/Temperature Monitoring and Supervision |
| LTC3880 | Dual Output PolyPhase Step-Down DC/DC Controller | 0.5% TUE 16-Bit ADC, Voltage/Current/Temperature Monitoring and Supervision |
| LTC3883 | Single Output PolyPhase Step-Down DC/DC Controller | 0.5% TUE 16-Bit ADC, Voltage/Current/Temperature Monitoring and Supervision |
| LTM4676 | Dual 13A or Single 26A μModule Regulator with Digital Power System Management | 1% TUE 16-Bit ADC, Voltage/Current/Temperature Monitoring and Supervision |

Данный компонент на территории Российской Федерации

Вы можете приобрести в компании MosChip.

Для оперативного оформления запроса Вам необходимо перейти по данной ссылке:

<http://moschip.ru/get-element>

Вы можете разместить у нас заказ для любого Вашего проекта, будь то серийное производство или разработка единичного прибора.

В нашем ассортименте представлены ведущие мировые производители активных и пассивных электронных компонентов.

Нашей специализацией является поставка электронной компонентной базы двойного назначения, продукции таких производителей как XILINX, Intel (ex.ALTERA), Vicor, Microchip, Texas Instruments, Analog Devices, Mini-Circuits, Amphenol, Glenair.

Сотрудничество с глобальными дистрибьюторами электронных компонентов, предоставляет возможность заказывать и получать с международных складов практически любой перечень компонентов в оптимальные для Вас сроки.

На всех этапах разработки и производства наши партнеры могут получить квалифицированную поддержку опытных инженеров.

Система менеджмента качества компании отвечает требованиям в соответствии с ГОСТ Р ИСО 9001, ГОСТ РВ 0015-002 и ЭС РД 009

Офис по работе с юридическими лицами:

105318, г.Москва, ул.Щербаковская д.3, офис 1107, 1118, ДЦ «Щербаковский»

Телефон: +7 495 668-12-70 (многоканальный)

Факс: +7 495 668-12-70 (доб.304)

E-mail: info@moschip.ru

Skype отдела продаж:

moschip.ru

moschip.ru_4

moschip.ru_6

moschip.ru_9