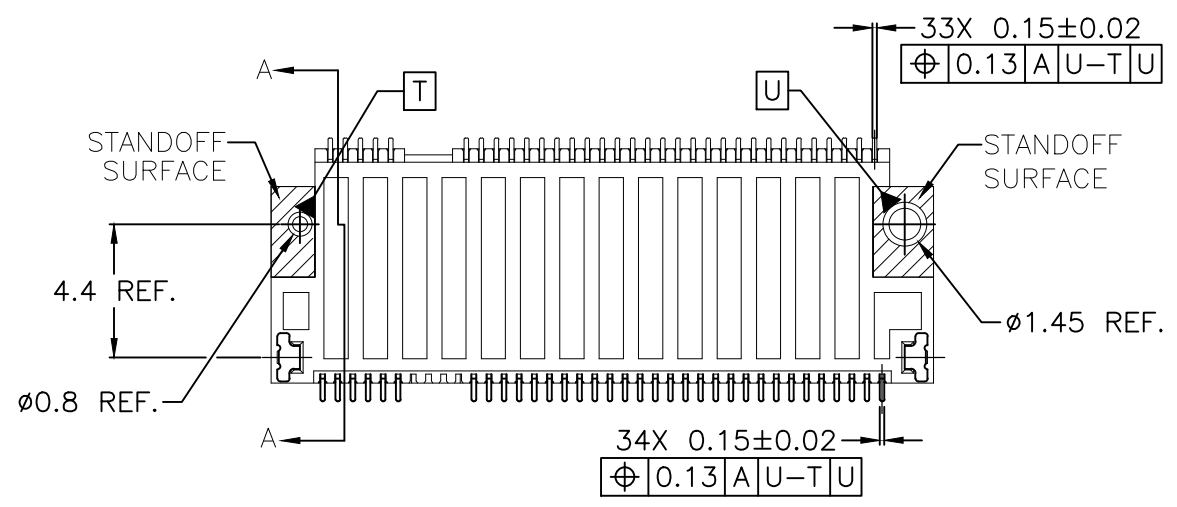
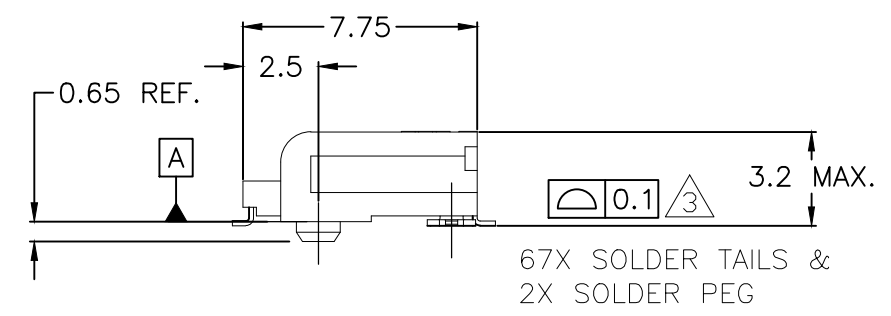
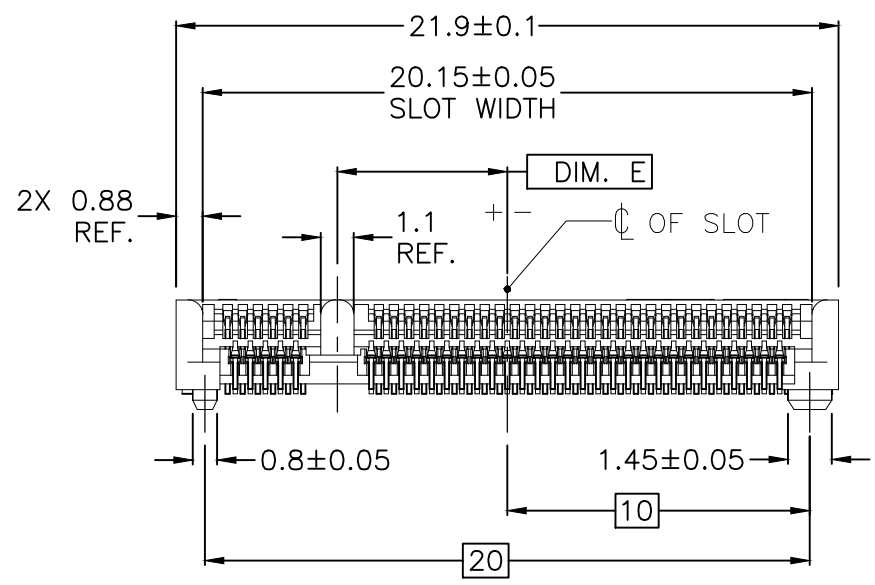
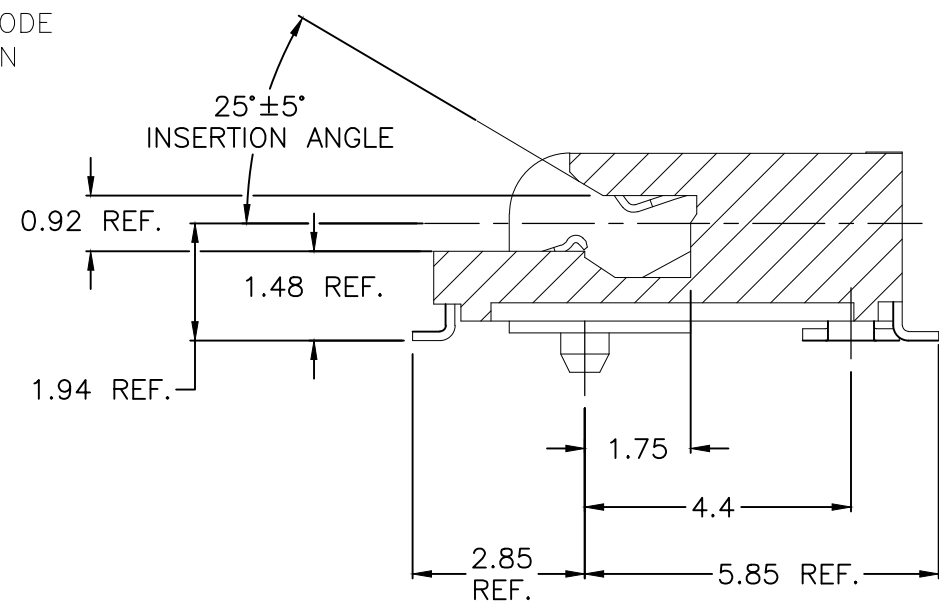
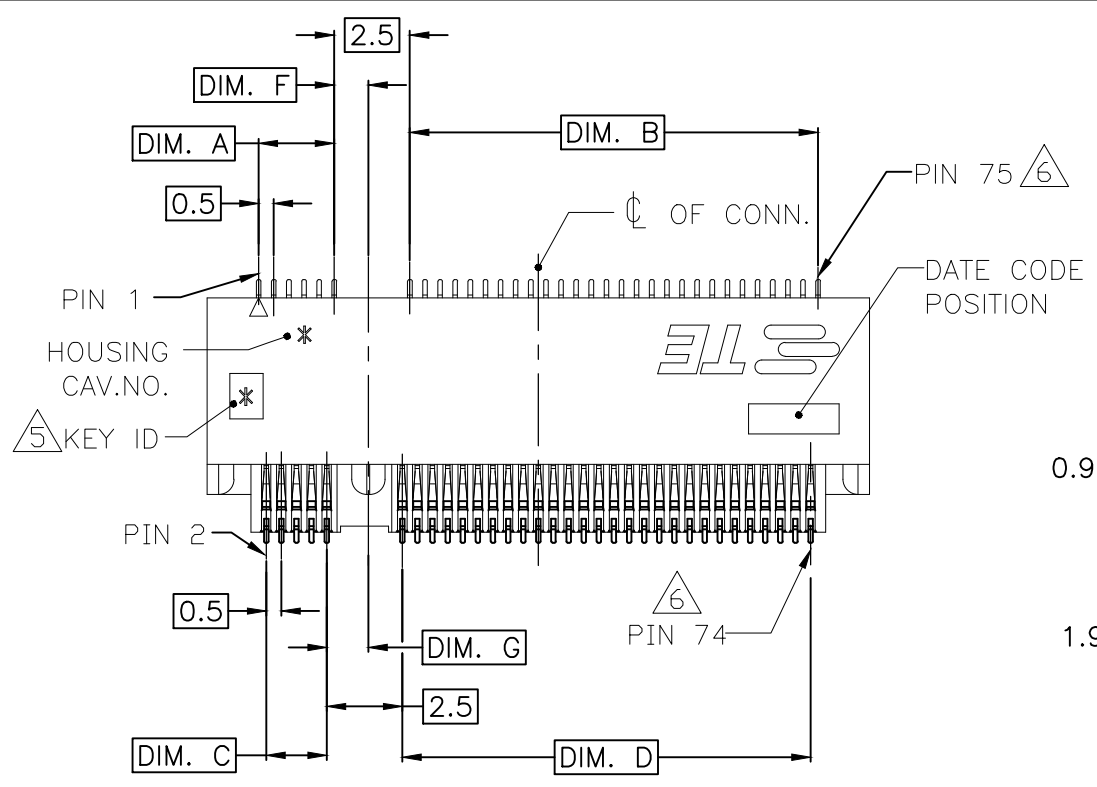


THIS DRAWING IS UNPUBLISHED. RELEASED FOR PUBLICATION
 © COPYRIGHT - By - ALL RIGHTS RESERVED.

REVISIONS				
P	LTR	DESCRIPTION	DATE	APVD
D		REVISED PER ECR-17-016948	21NOV2017	E.Z W.H



- NOTES:
- MATERIAL:
 - HOUSING : HIGH TEMPERATURE THERMOPLASTIC UL94V-0, COLOR: BLACK.
 - CONTACT: COPPER ALLOY.
 - SOLDER PEG: STAINLESS STEEL.
 - FINISH:
 - CONTACT: UNDERCOAT NICKEL 50u" min. ALL OVER; MATING AREA: GOLD PLATING, THE THICKNESS SEE TABLE LIST; SOLDERABLE AREA: GOLDFLASH.
 - SOLDER PEG: UNDERCOAT: NICKEL 50u" min. ALL OVER SOLDERABLE AREA: MATTE TIN 100u" min.
 - COPLANARITY: 0.10mm MAX.(BEFORE SOLDERING).
 - ACCEPTED MODULE BASED ON INDUSTRY STD.
 - KEY ID, "*" IS A CAPITAL LETTER PER THE PART NO.
 - THE PIN NO. DEFINITIONS ARE ACCORDING TO PCB FOOTPRINT, THE ACTUAL PIN QUANTITY IS ONLY 67 POS. FOR KEY TAKING OUT 8 POS.
 - THE PRODUCT IS RoHS COMPLIANT, BR 900PPM MAX., CL 900PPM MAX. BR+CL 1500 PPM MAX.
 - MINUS MEANS \varnothing OF KEY IS ON THE RIGHT SIDE OF CONN. \varnothing IN PAGE 1.


THIS DRAWING IS A CONTROLLED DOCUMENT.		DWN SIMON WU 90CT2012	TE Connectivity	
DIMENSIONS: mm		CHK SIMON LI 90CT2012		
TOLERANCES UNLESS OTHERWISE SPECIFIED:		APVD COREL WANG 90CT2012	NAME	
0 PLC ± 0.30		M.2(NGFF)MINI CARD MOUNTING TYPE		
1 PLC ± 0.30		0.50mm PITCH 67 POS 3.2mm H		
2 PLC ± 0.20		DOUBLE SIDED MODULE		
3 PLC ± 0.10		SIZE CAGE CODE DRAWING NO RESTRICTED TO		
4 PLC ± -		114-115006 A3 00779 C-2199119		
ANGLES ± -		WEIGHT 0.51 G		
FINISH		CUSTOMER DRAWING SCALE 4:1 SHEET 1 OF 4 REV D		

THIS DRAWING IS UNPUBLISHED. RELEASED FOR PUBLICATION
 © COPYRIGHT - By - ALL RIGHTS RESERVED.

REVISIONS					
P	LTR	DESCRIPTION	DATE	DWN	APVD
-	-	SEE SHEET 1	-	-	-

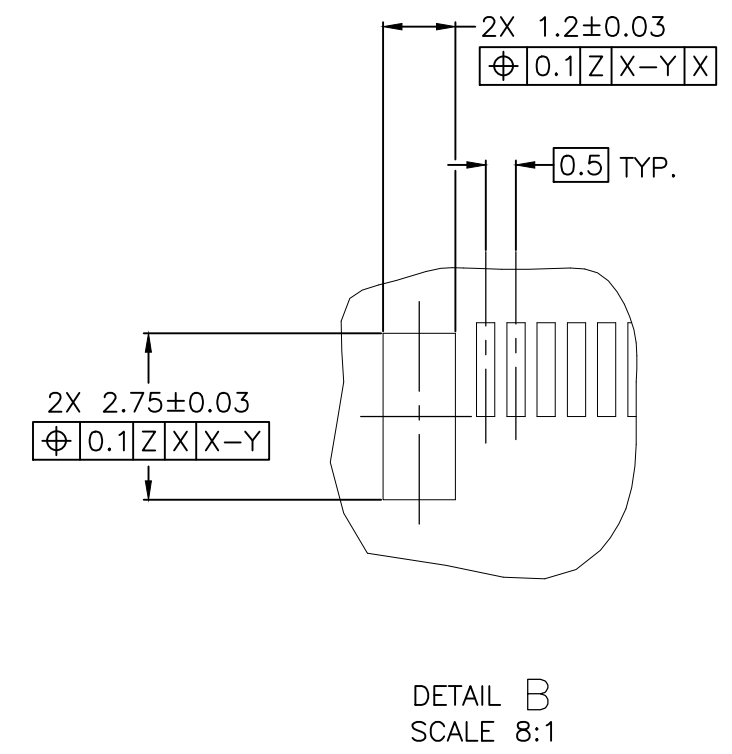
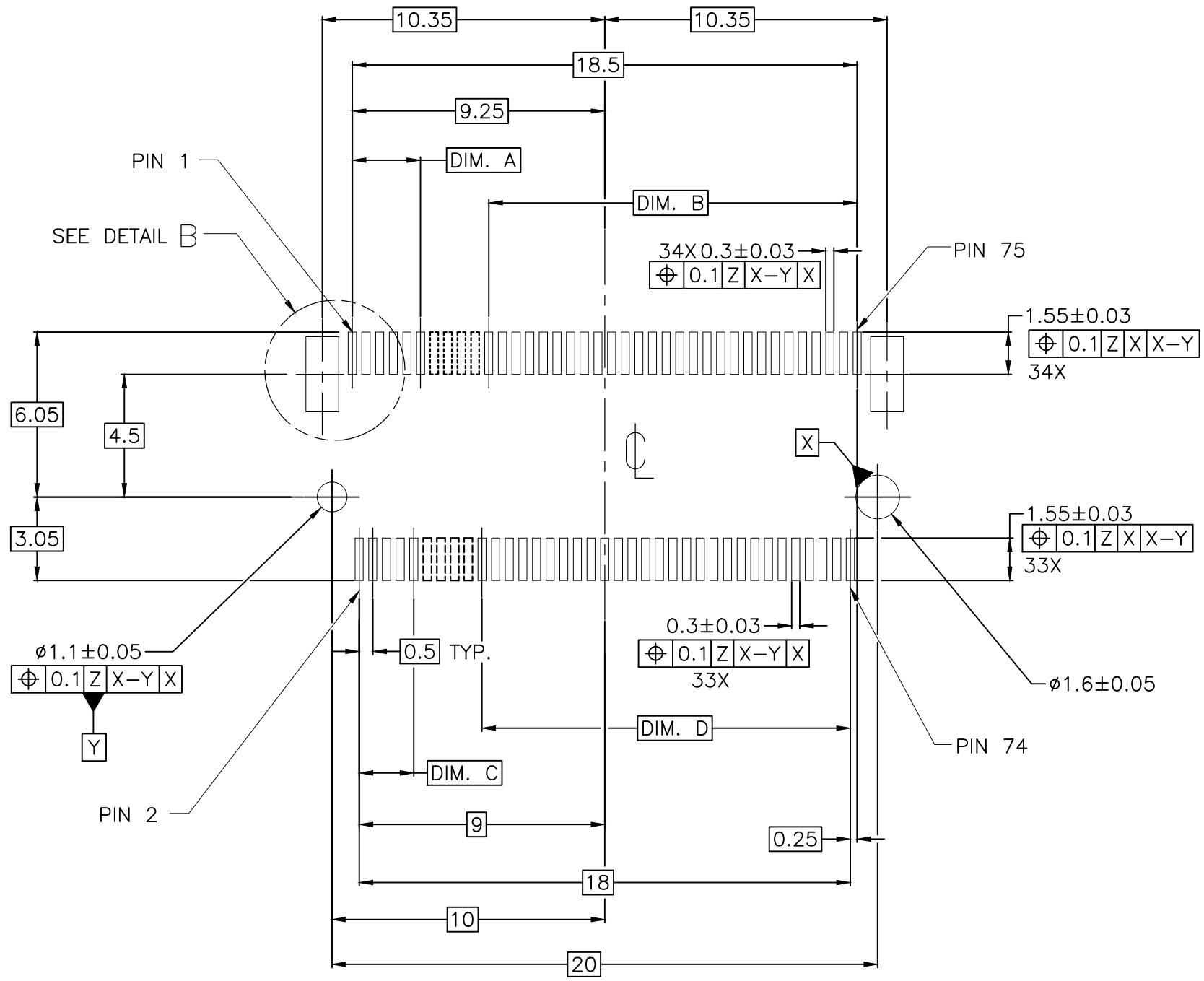


KEY ID.	PRODUCT SPEC.	GOLD SPEC.	DIM. G	DIM. F	DIM. E	DIM. D	DIM. C	DIM. B	DIM. A	PART NO.
M	108-115042	30u" MIN.	1.125	1.375	-6.125	1.5	14.0	2.0	14.0	1-2199119-6
		15u" MIN.								1-2199119-5
		10u" MIN.								1-2199119-4
	108-115049	GOLD FLASH								1-2199119-3
A	108-115042	10u" MIN.	1.375	1.125	6.625	14.5	1.0	14.5	1.5	1-2199119-2
E					2.625	10.5	5.0	10.5	5.5	1-2199119-1
B					5.625	13.5	2.0	13.5	2.5	1-2199119-0
A	108-115042	30u" MIN.	1.375	1.125	6.625	14.5	1.0	14.5	1.5	2199119-9
		15u" MIN.								2199119-8
		GOLD FLASH								2199119-7
E	108-115042	30u" MIN.	1.375	1.125	2.625	10.5	5.0	10.5	5.5	2199119-6
B					5.625	13.5	2.0	13.5	2.5	2199119-5
E					2.625	10.5	5.0	10.5	5.5	2199119-4
B	108-115042	15u" MIN.	1.375	1.125	5.625	13.5	2.0	13.5	2.5	2199119-3
E					2.625	10.5	5.0	10.5	5.5	2199119-2
B					5.625	13.5	2.0	13.5	2.5	2199119-1
	108-115049	GOLD FLASH								2199119-1

THIS DRAWING IS A CONTROLLED DOCUMENT.		DWN SIMON WU 90CT2012	 TE Connectivity M.2(NGFF)MINI CARD MOUNTING TYPE 0.50mm PITCH 67 POS 3.2mm H DOUBLE SIDED MODULE				
DIMENSIONS: mm		CHK SIMON LI 90CT2012					
TOLERANCES UNLESS OTHERWISE SPECIFIED:		APVD COREL WANG 90CT2012					
0 PLC ± 0.30 1 PLC ± 0.30 2 PLC ± 0.20 3 PLC ± 0.10 4 PLC ± - ANGLES ± 3°		PRODUCT SPEC					
MATERIAL		FINISH	APPLICATION SPEC	SIZE	CAGE CODE	DRAWING NO	RESTRICTED TO
-		-	WEIGHT	A3	00779	C-2199119	-
CUSTOMER DRAWING			SCALE	SHEET	REV		
			4:1	2 OF 4	D		


THIS DRAWING IS UNPUBLISHED. RELEASED FOR PUBLICATION
 © COPYRIGHT - By - ALL RIGHTS RESERVED.

REVISIONS				
P	LTR	DESCRIPTION	DATE	APVD
-	-	SEE SHEET 1	-	-



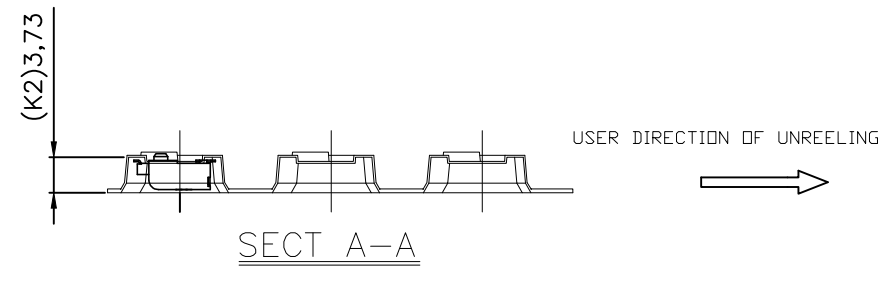
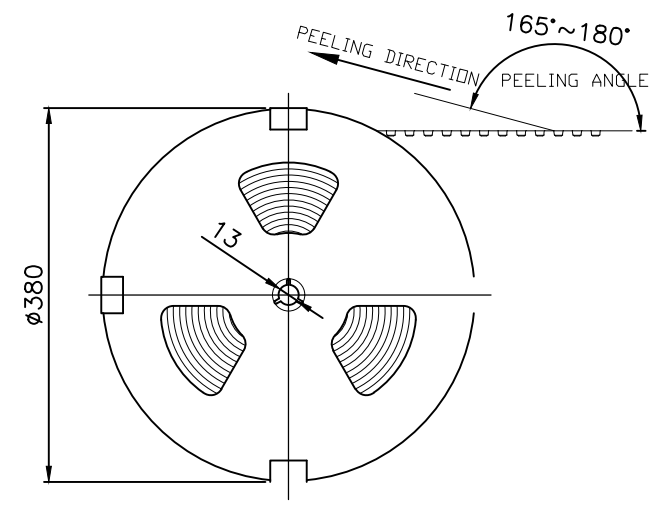
RECOMMENDED NGFF MINI CARD MOUNTING TYPE_SMT_PCB OUTLINE
 DATUM Z: PCB SOLDER SURFACE

M	1.5	14.0	2.0	14.0
E	10.5	5.0	10.5	5.5
B	13.5	2.0	13.5	2.5
A	14.5	1.0	14.5	1.5
KEY ID.	DIM. D	DIM. C	DIM. B	DIM. A

THIS DRAWING IS A CONTROLLED DOCUMENT.		DWN SIMON_WU 90CT2012	 TE Connectivity	
DIMENSIONS: mm		CHK SIMON_LI 90CT2012		
TOLERANCES UNLESS OTHERWISE SPECIFIED:		APVD COREL_WANG 90CT2012		
0 PLC ± 0.30 1 PLC ± 0.30 2 PLC ± 0.20 3 PLC ± 0.10 4 PLC ± - ANGLES ± 3°		NAME M.2(NGFF)MINI CARD MOUNTING TYPE 0.50mm PITCH 67 POS 3.2mm H DOUBLE SIDED MODULE		
MATERIAL		FINISH	PRODUCT SPEC	SIZE A3
			APPLICATION SPEC	CAGE CODE 00779
			WEIGHT	DRAWING NO C-2199119
CUSTOMER DRAWING			RESTRICTED TO	
			SCALE 5:1	SHEET 3 OF 4
			REV D	

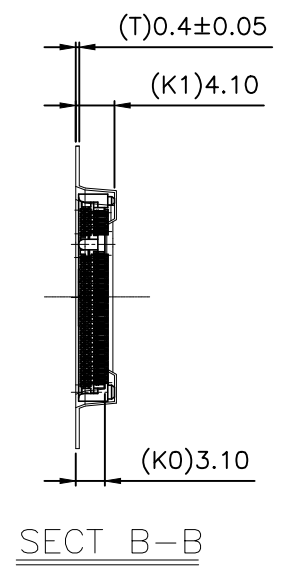
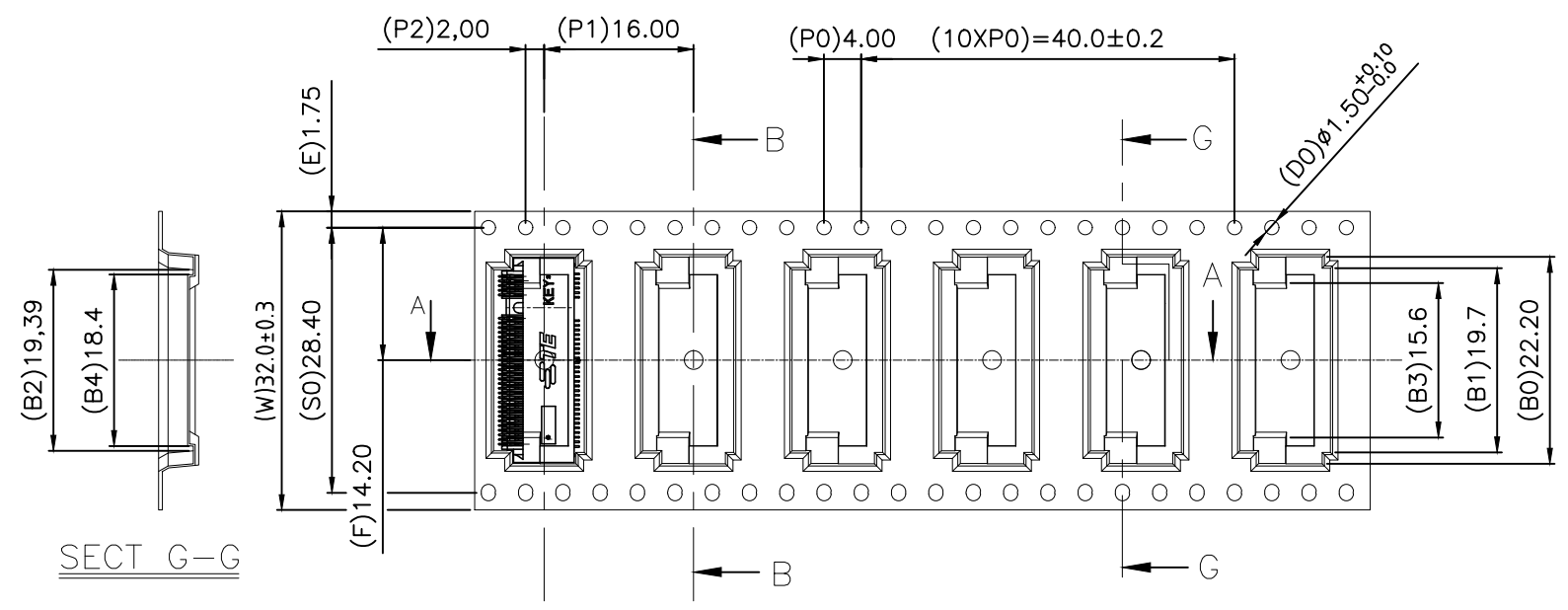
THIS DRAWING IS UNPUBLISHED. RELEASED FOR PUBLICATION
 © COPYRIGHT - By - ALL RIGHTS RESERVED.

REVISIONS					
P	LTR	DESCRIPTION	DATE	DWN	APVD
-	-	SEE SHEET 1	-	-	-



NOTES: (APPLIED TO CURRENT SHEET)

1. THE DIRECTION OF EACH CONNECTOR ON A EMBOSS IS REFERRED TO THIS DRAWING.
2. GENERAL TOLERANCE: ± 0.5 , $\pm 3^\circ$
3. PACKAGED IN EMBOSS TAPE AND PLASTIC RELL 1200PCS PER REEL.



THIS DRAWING IS A CONTROLLED DOCUMENT.		DWN SIMON_WU 90CT2012	TE Connectivity NAME M.2(NGFF)MINI CARD MOUNTING TYPE 0.50mm PITCH 67 POS 3.2mm H DOUBLE SIDED MODULE				
DIMENSIONS: mm		CHK SIMON_LI 90CT2012					
TOLERANCES UNLESS OTHERWISE SPECIFIED:		APVD COREL_WANG 90CT2012					
0 PLC ± 0.30 1 PLC ± 0.30 2 PLC ± 0.20 3 PLC ± 0.10 4 PLC ± - ANGLES ± 3°		PRODUCT SPEC					
MATERIAL		FINISH	APPLICATION SPEC	SIZE A3	CAGE CODE 00779	DRAWING NO C-2199119	RESTRICTED TO
CUSTOMER DRAWING			WEIGHT	SCALE N/A	SHEET 4 OF 4	REV D	

Данный компонент на территории Российской Федерации

Вы можете приобрести в компании MosChip.

Для оперативного оформления запроса Вам необходимо перейти по данной ссылке:

<http://moschip.ru/get-element>

Вы можете разместить у нас заказ для любого Вашего проекта, будь то серийное производство или разработка единичного прибора.

В нашем ассортименте представлены ведущие мировые производители активных и пассивных электронных компонентов.

Нашей специализацией является поставка электронной компонентной базы двойного назначения, продукции таких производителей как XILINX, Intel (ex.ALTERA), Vicor, Microchip, Texas Instruments, Analog Devices, Mini-Circuits, Amphenol, Glenair.

Сотрудничество с глобальными дистрибьюторами электронных компонентов, предоставляет возможность заказывать и получать с международных складов практически любой перечень компонентов в оптимальные для Вас сроки.

На всех этапах разработки и производства наши партнеры могут получить квалифицированную поддержку опытных инженеров.

Система менеджмента качества компании отвечает требованиям в соответствии с ГОСТ Р ИСО 9001, ГОСТ РВ 0015-002 и ЭС РД 009

Офис по работе с юридическими лицами:

105318, г.Москва, ул.Щербаковская д.3, офис 1107, 1118, ДЦ «Щербаковский»

Телефон: +7 495 668-12-70 (многоканальный)

Факс: +7 495 668-12-70 (доб.304)

E-mail: info@moschip.ru

Skype отдела продаж:

moschip.ru

moschip.ru_4

moschip.ru_6

moschip.ru_9