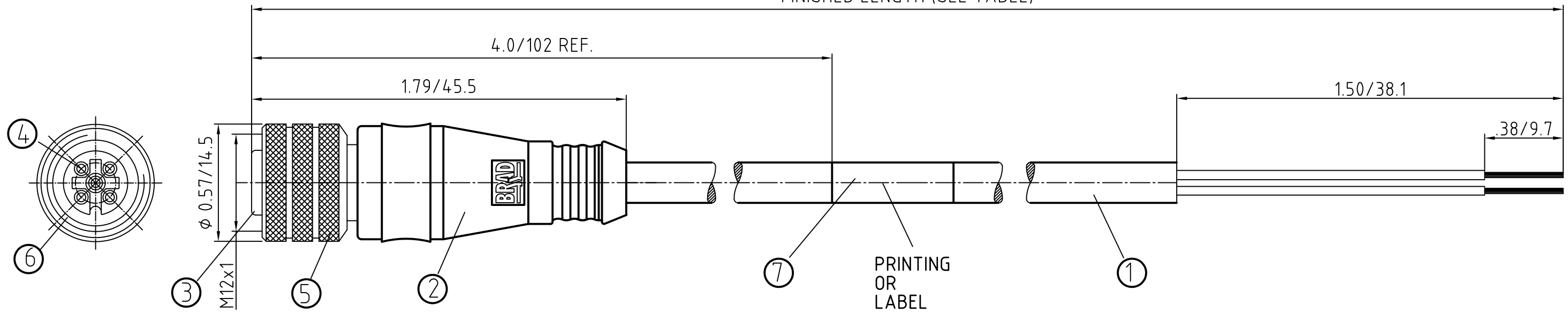
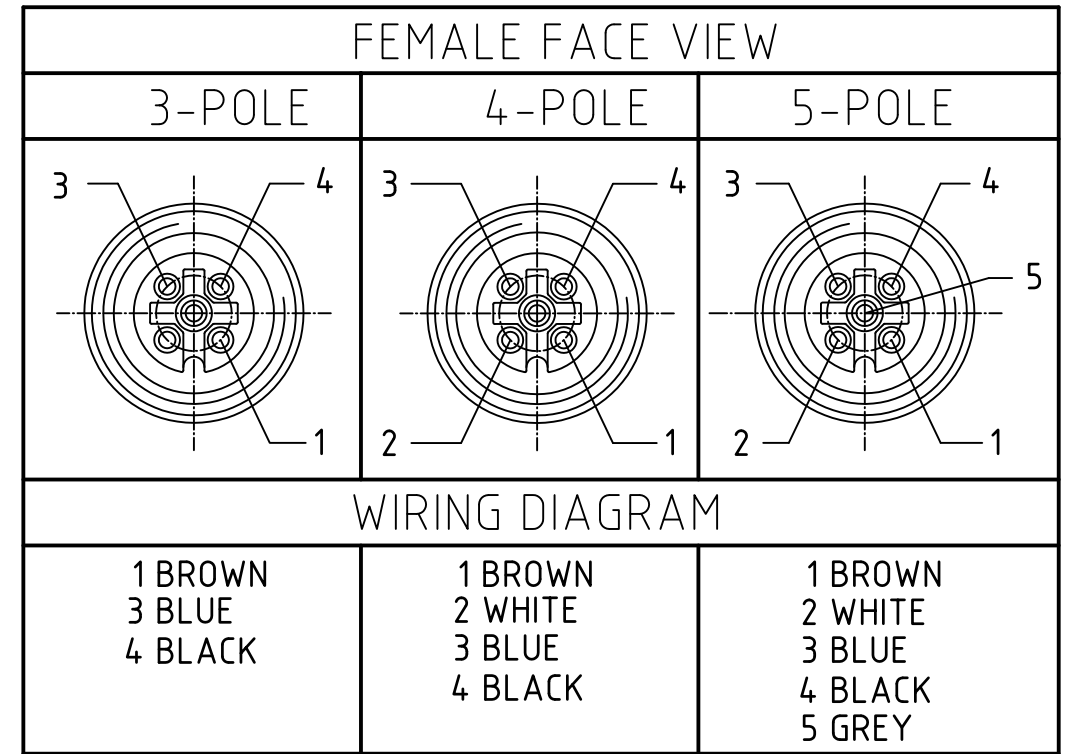


FINISHED LENGTH (SEE TABLE)



CONNECTOR SPECIFICATION:

| | |
|-----------------------|---------------------------------|
| VOLTAGE RATING | 250 VAC/VDC |
| AMPERAGE RATING | max. 4 AMPS |
| PROTECTION | IP67 |
| OPERATING TEMPERATURE | -20°C TO 105°C |
| UL CERTIFICATIONS | UL RECOGNIZED, FILE NO. E152210 |
| ASSEMBLY IS | RoHS COMPLIANT |



| ITEM | COMPONENT | MATERIAL | FINISH |
|------|--|--------------------|------------------|
| 7 | LABLE | MYLAR | BLACK/YELLOW |
| 6 | O-RING | VITON | RED |
| 5 | COUPLER | BRASS | NICKEL PLATED |
| 4 | PIN CONTACT | COPPER ALLOY | GOLD OVER NICKEL |
| 3 | INSERT | NYLON | BLACK |
| 2 | OVERMOLD | POLYURETHANE (PUR) | YELLOW |
| 1 | CABLE- 22/3-5 (COPPER STRANDING) 3/4/5 CONDUCT. 300V | JACKET: PVC | JACKET: YELLOW |

| | | | | | | | | |
|--|-----------------------------------|---------------------------------------|------|---|-------------------------------|---|------------------------|--|
| DESCRIPTION EC NO: WEU2010-0261 DRWN: LSTEMMLE 2010/01/11 CHKD: NS APPR: NSTAUDIG 2010/01/25 | QUALITY SYMBOLS ▽ = 0 ∇ = 0 | GENERAL TOLERANCES (UNLESS SPECIFIED) | | DIMENSION STYLE IN/MM | SCALE 2:1 | DESIGN UNITS METRIC | THIRD ANGLE PROJECTION | |
| | | mm | INCH | DRAWN BY | DATE | MICRO-CHANGE COERDSET 3/4/5-POL FEMALE STR SE 22/5 YELLOW PVC CABLE | | |
| | | 4 PLACES ±--- | ±--- | --- | --- | | | |
| | | 3 PLACES ±--- | ±--- | --- | --- | MOLEX INCORPORATED | | |
| 2 PLACES ±--- | ±01 | --- | --- | APPROVED BY NSTAUDIG 2010/01/25 | MATERIAL NO. SD-120065-026 | DOCUMENT NO. | SHEET NO. 1 OF 1 | |
| 1 PLACE ±0.3 | ±--- | --- | --- | THIS DRAWING CONTAINS INFORMATION THAT IS PROPRIETARY TO MOLEX INCORPORATED AND SHOULD NOT BE USED WITHOUT WRITTEN PERMISSION | | | | |
| DRAFT WHERE APPLICABLE MUST REMAIN WITHIN DIMENSIONS | | SEE TABLE SHEET 2 | | SIZE A3 | | | | |

| POL | MATERIAL NUMBER | ENGINEERING NUMBER | FINISHED LENGTH |
|-----|-----------------|--------------------|---------------------------------|
| 3 | 1200650129 | 803000A09M020 | 6.56' +3.50" -0 [2.0M +88.9 -0] |

| POL | MATERIAL NUMBER | ENGINEERING NUMBER | FINISHED LENGTH |
|-----|-----------------|--------------------|-------------------------------------|
| 4 | 1200650251 | 804000A09M003 | 0.98' +0.75" -0 [0.3M +19.1 -0] |
| 4 | 1200651508 | 804000A09M005 | 1.64' +1.75" -0 [0.5M +44.5 -0] |
| 4 | 1200650252 | 804000A09M010 | 3.28' +2.19" -0 [1.0M +55.6 -0] |
| 4 | 1200650255 | 804000A09M020 | 6.56' +3.50" -0 [2.0M +88.9 -0] |
| 4 | 1200650259 | 804000A09M030 | 9.84' +3.50" -0 [3.0M +88.9 -0] |
| 4 | 1200650261 | 804000A09M040 | 13.12' +6.50" -0 [4.0M +165.1 -0] |
| 4 | 1200650265 | 804000A09M050 | 16.40' +6.50" -0 [5.0M +165.1 -0] |
| 4 | 1200650268 | 804000A09M060 | 19.69' +6.50" -0 [6.0M +165.1 -0] |
| 4 | 1200650270 | 804000A09M070 | 22.97' +6.50" -0 [7.0M +165.1 -0] |
| 4 | 1200650275 | 804000A09M080 | 26.25' +12.50" -0 [8.0M +317.5 -0] |
| 4 | 1200650276 | 804000A09M090 | 29.53' +12.50" -0 [9.0M +317.5 -0] |
| 4 | 1200650277 | 804000A09M100 | 32.81' +12.50" -0 [10.0M +317.5 -0] |
| 4 | 1200650285 | 804000A09M150 | 49.21' +24.50" -0 [15.0M +622.3 -0] |
| 4 | 1200650289 | 804000A09M200 | 65.62' +24.50" -0 [20.0M +622.3 -0] |
| 4 | 1200650293 | 804000A09M250 | 82.02' +24.50" -0 [25.0M +622.3 -0] |
| 4 | 1200650295 | 804000A09M300 | 98.43' +24.50" -0 [30.0M +622.3 -0] |

| POL | MATERIAL NUMBER | ENGINEERING NUMBER | FINISHED LENGTH |
|-----|-----------------|--------------------|-------------------------------------|
| 5 | 1200650471 | 805000A09M020 | 6.56' +3.5" -0 (2.0M +89mm -0) |
| 5 | 1200650476 | 805000A09M040 | 13.12' +6.5" -0 (4.0M +165mm -0) |
| 5 | 1200650479 | 805000A09M050 | 16.40' +6.5" -0 (5.0M +165mm -0) |
| 5 | 1200650483 | 805000A09M060 | 19.69' +6.5" -0 (6.0M +165mm -0) |
| 5 | 1200650487 | 805000A09M100 | 32.81' +12.5" -0] (10.0M +318mm -0) |

| | | | | | | | | | |
|---|-----------------|---------------------------------------|----------------|-----------------|---|---------------------------|---|------------------------|--|
| DESCRIPTION EC NO: WEU2010-0261 DRWN: LSTEMMLE 2010/01/11 CHKD: NS APPR: NSTAUDIG 2010/01/25 REV 1 | QUALITY SYMBOLS | GENERAL TOLERANCES (UNLESS SPECIFIED) | | DIMENSION STYLE | | SCALE | DESIGN UNITS | THIRD ANGLE PROJECTION | |
| | = 0 = 0 | mm | INCH | IN/MM | | 2:1 | METRIC | | |
| | | 4 PLACES ±--- | ±--- | DRAWN BY | | DATE | MICRO-CHANGE COERDSET 3/4/5-POL FEMALE STR SE 22/5 YELLOW PVC CABLE | | |
| | | 3 PLACES ±--- | ±--- | CHECKED BY | | DATE | | | |
| | | 2 PLACES ±--- | ±01 | RE | | 2010/01/20 | | | |
| | 1 PLACE ±0.3 | ±--- | APPROVED BY | | DATE | MOLEX INCORPORATED | | | |
| | ANGULAR ± --- ° | | NSTAUDIG | | 2010/01/25 | | | | |
| DRAFT WHERE APPLICABLE MUST REMAIN WITHIN DIMENSIONS | | | SEE TABLE | | MATERIAL NO. | | DOCUMENT NO. | SHEET NO. | |
| | | | SIZE A3 | | THIS DRAWING CONTAINS INFORMATION THAT IS PROPRIETARY TO MOLEX INCORPORATED AND SHOULD NOT BE USED WITHOUT WRITTEN PERMISSION | | | | |
| | | SD-120065-026 | | 1 OF 1 | | | | | |

Данный компонент на территории Российской Федерации

Вы можете приобрести в компании MosChip.

Для оперативного оформления запроса Вам необходимо перейти по данной ссылке:

<http://moschip.ru/get-element>

Вы можете разместить у нас заказ для любого Вашего проекта, будь то серийное производство или разработка единичного прибора.

В нашем ассортименте представлены ведущие мировые производители активных и пассивных электронных компонентов.

Нашей специализацией является поставка электронной компонентной базы двойного назначения, продукции таких производителей как XILINX, Intel (ex.ALTERA), Vicor, Microchip, Texas Instruments, Analog Devices, Mini-Circuits, Amphenol, Glenair.

Сотрудничество с глобальными дистрибьюторами электронных компонентов, предоставляет возможность заказывать и получать с международных складов практически любой перечень компонентов в оптимальные для Вас сроки.

На всех этапах разработки и производства наши партнеры могут получить квалифицированную поддержку опытных инженеров.

Система менеджмента качества компании отвечает требованиям в соответствии с ГОСТ Р ИСО 9001, ГОСТ РВ 0015-002 и ЭС РД 009

Офис по работе с юридическими лицами:

105318, г.Москва, ул.Щербаковская д.3, офис 1107, 1118, ДЦ «Щербаковский»

Телефон: +7 495 668-12-70 (многоканальный)

Факс: +7 495 668-12-70 (доб.304)

E-mail: info@moschip.ru

Skype отдела продаж:

moschip.ru

moschip.ru_4

moschip.ru_6

moschip.ru_9