

110/220V  
SWITCH SELECT

# PSP-480S Series Specifications



## Features:

- AC input range selectable by switch
- Built-in passive PFC function compliance to EN61000-3-2
- High efficiency 89% and low dissipation
- Protections: Short Circuit / Overload / Overvoltage / Over temperature
- Cooling by free air convection
- Built-in constant current limiting circuit
- DIN rail mountable
- UL 508(industrial control equipment)approved
- EN61000-6-2(EN50082-2) industrial immunity level
- 100% full load burn-in test
- 3 year warranty

## OUTPUT

## INPUT

## PROTECTION

## ENVIRONMENT

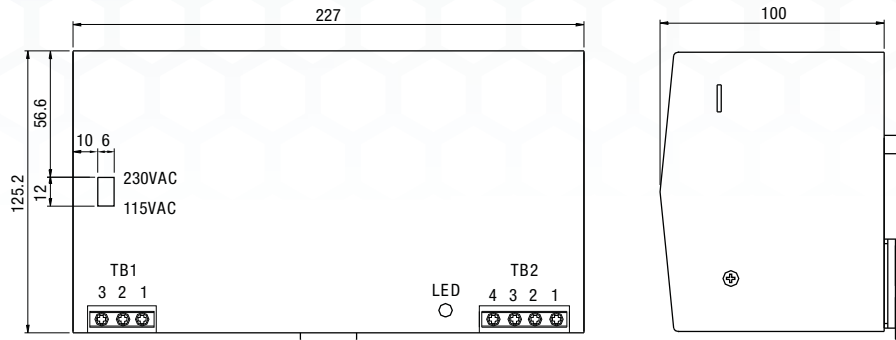
## SAFETY & EMC

## OTHERS

| Cat. No.   | PSP-480S24   | PSP-480S48                         |
|--|--|------------------------------------|
| DC VOLTAGE   | 24V  | 48V                                |
| RATED CURRENT  | 20A  | 10A                                |
| CURRENT RANGE  | 0 ~ 20A  | 0 ~ 10A                            |
| RATED POWER  | 480W   | 480W                               |
| RIPPLE & NOISE (max)   | 120mVp-p   | 120mVp-p                           |
| Ripple & noise are measured at 20MHz of bandwidth by using a 12 twisted pair-wire terminated with a 0.1µF & 47µF parallel capacitor.                                 |  |                                    |
| VOLTAGE ADJ. RANGE   | 24 ~ 28V   | 48 ~ 55V                           |
| VOLTAGE TOLERANCE  | ±1.0%  | ±1.0%                              |
| Tolerance: includes set up tolerance, line regulation and load regulation.   |  |                                    |
| LINE REGULATION  | ±0.5%  | ±0.5%                              |
| LOAD REGULATION  | ±1.0%  | ±1.0%                              |
| SETUP, RISE TIME   | 1200ms, 40ms / 230VAC  | 1200ms, 40ms / 115VAC at full load |
| HOLD UP TIME (Typ.)  | 23ms / 230VAC  | 23ms / 115VAC at full load         |
| VOLTAGE RANGE  | 90 ~ 132VAC / 180 ~ 264 VAC by switch  | 254 ~ 370VDC                       |
| FREQUENCY RANGE  | 47 ~ 63Hz  |                                    |
| POWER FACTOR (Typ.)  | ≥0.7 / 230VAC only   |                                    |
| EFFICIENCY (Typ.)  | 89%  |                                    |
| AC CURRENT (Typ.)  | 8A / 115VAC    3.2A / 230VAC   |                                    |
| INRUSH CURRENT (Typ.)  | COLD START 27A / 115VAC    45A / 230VAC  |                                    |
| LEAKAGE CURRENT  | ≤ 3.5mA / 240VAC   |                                    |
| OVERLOAD   | 105 ~ 150% rated output power  |                                    |
| Protection type: Constant current limiting, recovers automatically after fault condition is removed  |  |                                    |
| OVERVOLTAGE  | 30 ~ 36V   | 59 ~ 66V                           |
| Protection type: Shut down overvoltage, re-power on to recover   |  |                                    |
| OVERTEMPERATURE  | 100°C ± 5°C (TSW: detect on heat sink of power switch)   |                                    |
| Protection type: Shut down overvoltage, recovers automatically after temperature goes down   |  |                                    |
| WORKING TEMP.  | -20 ~ +70°C (Refer to output load derating curve)  |                                    |
| WORKING HUMIDITY   | 20 ~ 95% RH non-condensing   |                                    |
| STORAGE TEMP., HUMIDITY  | -40 ~ +85°C, 10 ~ 95% RH   |                                    |
| TEMP. COEFFICIENT  | ±0.03% / °C (0 ~ 50°C)   |                                    |
| VIBRATION  | 10 ~ 500Hz, 2G 10min./1cycle, 60 min. each long X,Y, Z axes  |                                    |
| MOUNTING   | Compliance to IEC60068-2-6   |                                    |
| SAFETY STANDARDS   | UL508<br>UL60950-1<br>EN60950-1 compliant  |                                    |
| WITHSTAND VOLTAGE  | I/P-O/P: 3KVAC    I/P-FG: 1.5KVAC    O/P-FG: 0.5KVAC   |                                    |
| ISOLATION RESISTANCE   | I/P-O/P, I/P-FG, O/P-FG: 100M Ohms / 500VDC / 25°C / 70% RH  |                                    |
| EMI CONDUCTION & RADIATION   | Compliance to EN55011 (CISPR11); EN55022 (CISPR22); EN61204-3 Class B  |                                    |
| HARMONIC CURRENT   | Compliance to EN61000-3-2,-3   |                                    |
| EMS IMMUNITY   | Compliance to EN61000-4-2,3,4,5,6,8,11; ENV50204; EN61204-3; EN61000-6-2 (EN50082-2); heavy industry level; criteria A |                                    |
| The power supply is considered a component which will installed into a final equipment. The final equipment must be re-confirmed that it still meets EMC directives. |  |                                    |
| MTBF   | 187.9K hrs min.    MIL-HDBK-217K (25°C)  |                                    |
| DIMENSION  | 227x125.2x100mm (WxHxD)  |                                    |
| PACKING  | 2.6Kg; 6pcs / 16.6Kg / 1.75CUFT  |                                    |
| All parameters NOT specially mentioned are measured at 230V AC input, rated load and 25°C of ambient temperature.  |  |                                    |

For the latest on Altech Power Supply specifications please visit [www.altechcorp.com/power](http://www.altechcorp.com/power).

**Mechanical Specification**



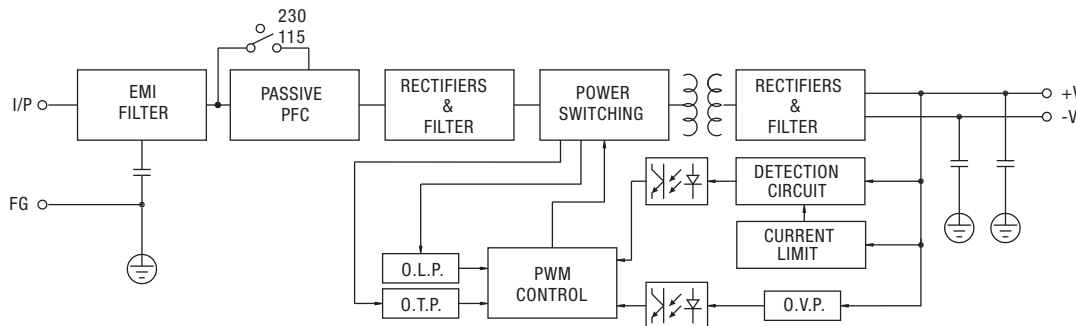
TB1 Terminal Pin. No Assignment

| Pin No. | Assignment  |
|---------|-------------|
| 1       | AC/L        |
| 2       | AC/N        |
| 3       | FG $\oplus$ |

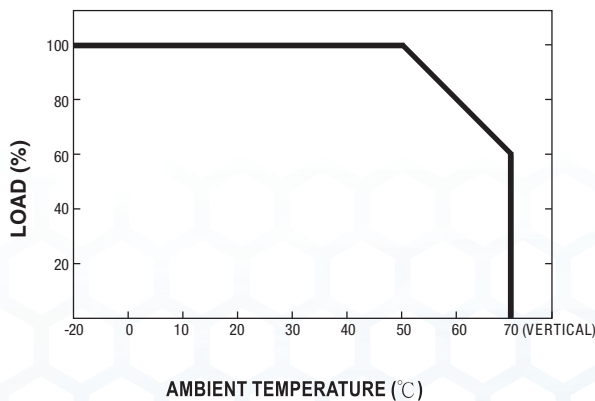
TB2 Terminal Pin. No Assignment

| Pin No. | Assignment   |
|---------|--------------|
| 1,2     | DC OUTPUT +V |
| 3,4     | DC OUTPUT -V |

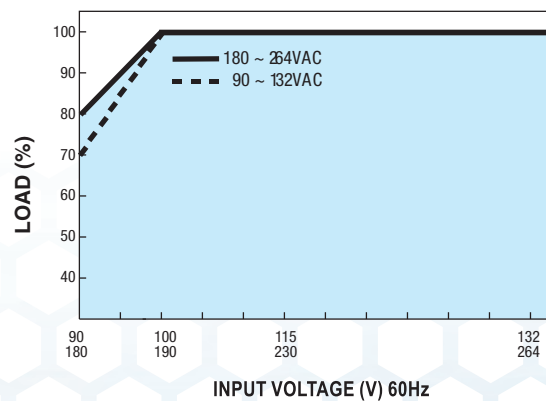
**Block Diagram**



**Derating Curve**



**Output Derating VS Input Voltage**



Note: All dimensions are in millimeters, to convert to inches multiply by 0.03937.

PSC Class 2 Series  
Compact Housing

PSA Flex Series  
1 Phase

PSB Flex Series  
2 & 3 Phase

PS-S Slim Series  
Plastic Housing

PS Low Profile Series  
Plastic Housing

PS Industrial Series  
1, 2 & 3 Phase

PS C & W Series  
1 and 2 Phase

CBI Type  
DC UPS Systems

CB Type  
Battery Chargers

Accessories

Appendix

## Данный компонент на территории Российской Федерации

### Вы можете приобрести в компании MosChip.

Для оперативного оформления запроса Вам необходимо перейти по данной ссылке:

<http://moschip.ru/get-element>

Вы можете разместить у нас заказ для любого Вашего проекта, будь то серийное производство или разработка единичного прибора.

В нашем ассортименте представлены ведущие мировые производители активных и пассивных электронных компонентов.

Нашей специализацией является поставка электронной компонентной базы двойного назначения, продукции таких производителей как XILINX, Intel (ex.ALTERA), Vicor, Microchip, Texas Instruments, Analog Devices, Mini-Circuits, Amphenol, Glenair.

Сотрудничество с глобальными дистрибьюторами электронных компонентов, предоставляет возможность заказывать и получать с международных складов практически любой перечень компонентов в оптимальные для Вас сроки.

На всех этапах разработки и производства наши партнеры могут получить квалифицированную поддержку опытных инженеров.

Система менеджмента качества компании отвечает требованиям в соответствии с ГОСТ Р ИСО 9001, ГОСТ РВ 0015-002 и ЭС РД 009

### Офис по работе с юридическими лицами:

105318, г.Москва, ул.Щербаковская д.3, офис 1107, 1118, ДЦ «Щербаковский»

Телефон: +7 495 668-12-70 (многоканальный)

Факс: +7 495 668-12-70 (доб.304)

E-mail: [info@moschip.ru](mailto:info@moschip.ru)

Skype отдела продаж:

moschip.ru

moschip.ru\_4

moschip.ru\_6

moschip.ru\_9