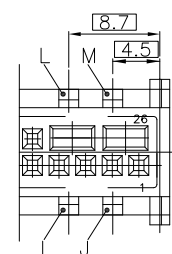
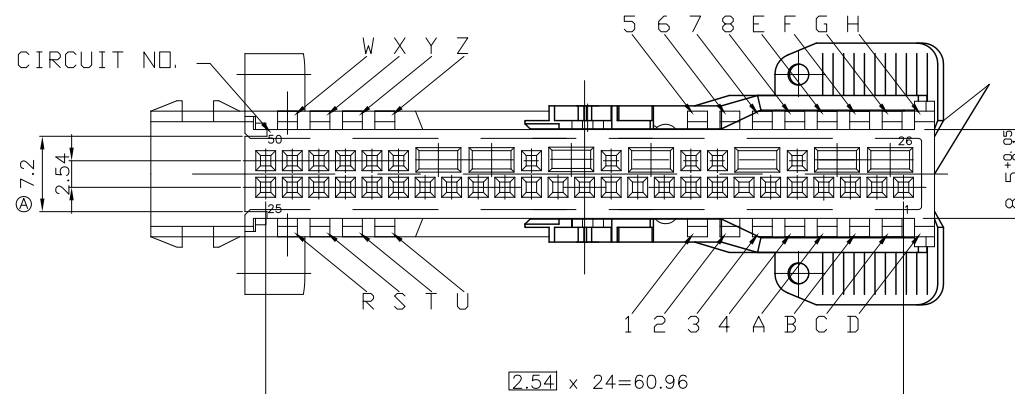
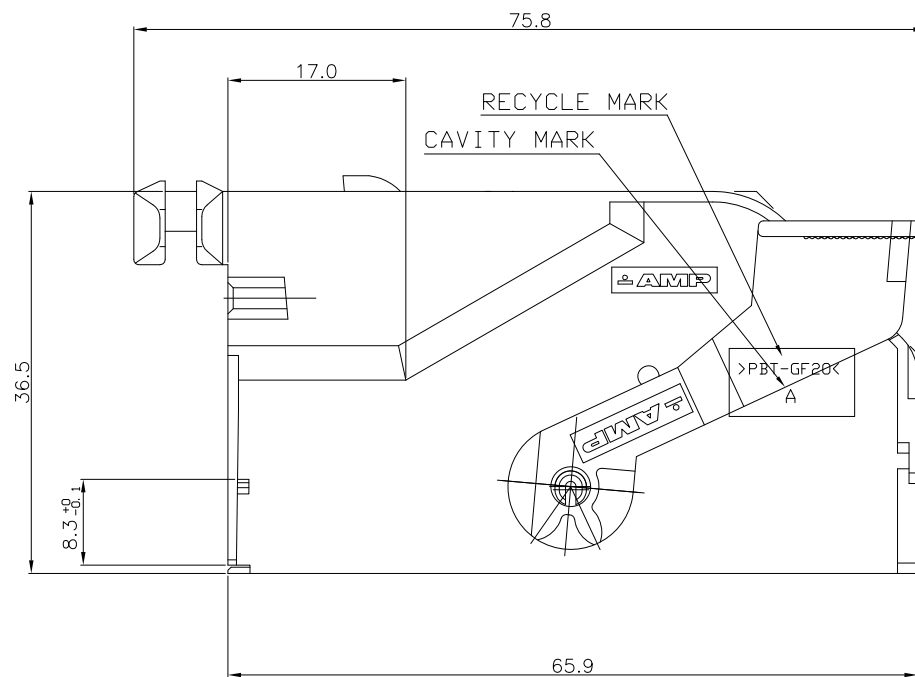
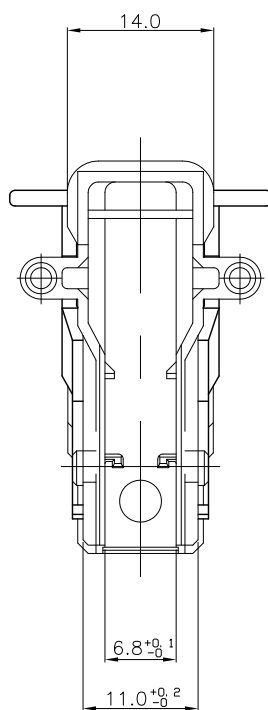
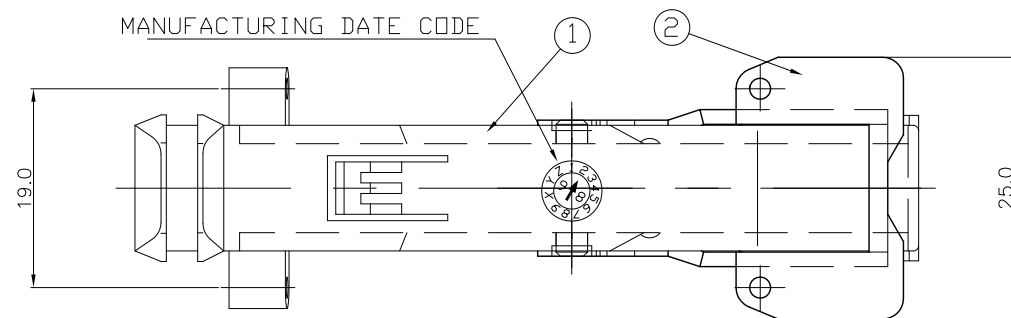
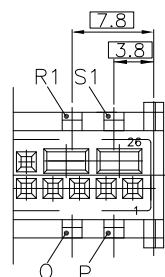


THIS DRAWING IS UNPUBLISHED. RELEASED FOR PUBLICATION
 © COPYRIGHT BY TYCO ELECTRONICS CORPORATION, ALL RIGHTS RESERVED.

LOC	DIST	REVISIONS					
		P	LTR	DESCRIPTION	DATE	DWN	APVD
		H		REVISED (ECR-08-025589)	24.SEP.'09	DR	HG
		J		REVISED (ECR-10-022304)	29.OCT.'10	SH	HG
		K		REVISED (ECR-11-021534)	24.OCT.'11	SH	HG



VIEW CODE "IJLM"



VIEW CODE "OPR1S1"

- NOTE
 1. DRAWING KEY IS (D-H)
 2. APPLICABLE PLUG HOUSING ASS'Y: P/N 368233

2	BLACK	LEVER HOUSING	368235-1	1
1	SEE TABLE	COVER HOUSING	SEE TABLE	1
ITEM NO.	COLOR	DESCRIPTION	P/N	Q'TY

THIS DRAWING IS A CONTROLLED DOCUMENT FOR TYCO ELECTRONICS CORPORATION. IT IS SUBJECT TO CHANGE AND THE CONTROLLING ENGINEERING ORGANIZATION SHOULD BE CONTACTED FOR THE LATEST REVISION.

DIMENSIONS: MM	TOLERANCES UNLESS OTHERWISE SPECIFIED: 0 <XX<10 ± 0.2 10 <XX<30 ± 0.25 30 <XX ± 0.3 ANGLES ± 3°
MATERIAL: SEE TABLE	FINISH: SEE TABLE

DWN: SH JANG	
CHK: KT LIM	
APVD: HG CHD	
PRODUCT SPEC	
APPLICATION SPEC	NAME: AIRBAG 50P COVER ASS'Y
WEIGHT	SIZE: A200779 CAGE CODE: C=1743109
CUSTOMER DRAWING	RESTRICTED TO: -
SCALE: 2/1	SHEET: 1 OF 4
REV: K	

THIS DRAWING IS UNPUBLISHED. RELEASED FOR PUBLICATION
 © COPYRIGHT BY TYCO ELECTRONICS CORPORATION. ALL RIGHTS RESERVED.

0-1743109

						① ①									
						-9	-8	-7	-6	-5				-2	-1
②	0-368235-1	LEVER HSG	PBT GF20	BLACK		1	1	1	1	1				1	1
①	0-1743110-9			BROWN BEIGE (RAL 1011)	F-Y	1									
①	0-1743110-8			GREEN BEIGE (RAL 1000)	F-X		1								
①	0-1743110-7			LIGHT BLUE (RAL 5012)	A-D			1							
①	0-1743110-6			EMERALD GREEN (RAL 6001)	A-C				1						
①	0-1743110-5	COVER HSG	PBT GF20	PASTEL GREEN (RAL 6019)	F-W					1					
①	0-1743110-2			LIGHT BLUE (RAL 5012)	E-X									1	
①	0-1743110-1	COVER HSG	PBT GF20	CURRY (RAL 1027)	E-W										1
NO	PART NO	DESCRIPTION	MATERIAL	COLOR	CODE	REQUIRED PER ASSEMBLY									

1-1743109

						① ① ① ① ① ① ① ① ① ①										
						-9	-8	-7	-6	-5	-4	-3	-2	-1		
②	0-368235-1	LEVER HSG	PBT GF20	BLACK		1	1	1	1	1	1	1	1	1	1	
①	1-1743110-9			KHAKI GREY (RAL 7008)	D-W	1										
①	1-1743110-8			SIGNAL GREEN (RAL 6032)	P-Z		1									
①	1-1743110-7			FIR GREEN (RAL 6009)	P-Y			1								
①	1-1743110-6			TRAFFIC BLUE (RAL 5017)	P-X				1							
①	1-1743110-5			BEIGE (RAL 1001)	P-W					1						
①	1-1743110-4			SIGNAL BLUE (RAL 5005)	G-Y						1					
①	1-1743110-3			CLARET VIOLET (RAL 4004)	G-X							1				
①	1-1743110-2			GREEN BLUE (RAL 5001)	G-W								1			
①	1-1743110-1	COVER HSG	PBT GF20	WINE RED (RAL 3005)	F-Z											1
NO	PART NO	DESCRIPTION	MATERIAL	COLOR	CODE	REQUIRED PER ASSEMBLY										

2-1743109

						① ① ① ① ① ① ① ① ① ①										
						-9	-8	-7	-6	-5	-4	-3	-2	-1		
②	0-368235-1	LEVER HSG	PBT GF20	BLACK		1	1	1	1	1	1	1	1	1	1	
①	2-1743110-9			LUMINOUS ORANGE (RAL 2005)	S1-Y	1										
①	2-1743110-8			PASTEL ORANGE (RAL 2003)	S1-X		1									
①	2-1743110-7			GRAPHITE BLACK (RAL 9011)	S1-W			1								
①	2-1743110-6			CLAY BROWN (RAL 8003)	R1-Z				1							
①	2-1743110-5			BASOLT GREY (RAL 7012)	R1-Y					1						
①	2-1743110-4			KHAKI GREY (RAL 7008)	R1-X						1					
①	2-1743110-3			OPAL GREEN (RAL 6026)	R1-W							1				
①	2-1743110-2			TRAFFIC RED (RAL 3020)	H-W								1			
①	2-1743110-1	COVER HSG	PBT GF20	CLAY BROWN (RAL 8003)	G-Z											1
NO	PART NO	DESCRIPTION	MATERIAL	COLOR	CODE	REQUIRED PER ASSEMBLY										

LOC	DIST	REVISIONS				
		P	LTR	DESCRIPTION	DATE	DWN


SEE 1 OF 4 SHEET

3-1743109

						① ① ① ① ① ① ① ① ① ①										
						-9	-8	-7	-6	-5	-4	-3	-2	-1		
②	0-368235-1	LEVER HSG	PBT GF20	BLACK		1	1	1	1	1	1	1	1	1	1	
①	3-1743110-9			BRILLIANT BLUE (RAL 5007)	M-X	1										
①	3-1743110-8			TRAFFIC PURPLE (RAL 4006)	M-W		1									
①	3-1743110-7			LUMINOUS YELLOW (RAL 1026)	L-Z			1								
①	3-1743110-6	COVER HSG	PBT GF20	LIGHT IVORY (RAL 1015)	L-Y				1							
①	3-1743110-4			JET BLACK (RAL 9005)	L-X						1					
①	3-1743110-3	COVER HSG	PBT GF20	MELON YELLOW (RAL 1028)	L-W							1				
①	3-1743110-1	COVER HSG	PBT GF20	TRAFFIC ORANGE (RAL 2009)	S1-Z											1
NO	PART NO	DESCRIPTION	MATERIAL	COLOR	CODE	REQUIRED PER ASSEMBLY										

4-1743109

						① ① ① ① ① ① ① ① ① ①										
						-8	-7	-6	-5	-4	-3	-2	-1			
②	0-368235-1	LEVER HSG	PBT GF20	BLACK		1	1	1	1	1	1	1	1	1	1	
①	4-1743110-8			PIGEON BLUE (RAL 5014)	L-M	1										
①	4-1743110-7			ORANGE BROEN (RAL 8023)	J-D		1									
①	4-1743110-6			OPAL GREEN (RAL 6026)	I-D			1								
①	4-1743110-5			COBARL BLUE (RAL 5013)	H-Z				1							
①	4-1743110-4			PURPLE VIOLET (RAL 4007)	H-Y					1						
①	4-1743110-3			PURPLE VIOLET (RAL 1034)	H-X						1					
①	4-1743110-2			BLACK OLIVE (RAL 6015)	M-Z							1				
①	4-1743110-1	COVER HSG	PBT GF20	PATINA GREEN (RAL 6000)	M-Y											1
NO	PART NO	DESCRIPTION	MATERIAL	COLOR	CODE	REQUIRED PER ASSEMBLY										

THIS DRAWING IS A CONTROLLED DOCUMENT FOR TYCO ELECTRONICS CORPORATION. IT IS SUBJECT TO CHANGE AND THE CONTROLLING ENGINEERING ORGANIZATION SHOULD BE CONTACTED FOR THE LATEST REVISION.		DWN	 TE Connectivity	
DIMENSIONS: MM		CHK		
TOLERANCES UNLESS OTHERWISE SPECIFIED: 0 <XX<10 ± 0.2 10 <XX<30 ± 0.25 30 <XX ± 0.3 ANGLES ± 3°		APVD	NAME	
MATERIAL		PRODUCT SPEC	AIRBAG 50P COVER ASS'Y	
FINISH		APPLICATION SPEC	SIZE CAGE CODE DRAWING NO	
SEE TABLE		WEIGHT	A200779 C=1743109	
SEE TABLE		CUSTOMER DRAWING	RESTRICTED TO	
		SCALE 2/1	SHEET 3 OF 4 REV K	

THIS DRAWING IS UNPUBLISHED. RELEASED FOR PUBLICATION
 © COPYRIGHT BY TYCO ELECTRONICS CORPORATION, ALL RIGHTS RESERVED.

5-1743109

LOC	DIST	REVISIONS						
		P	LTR	DESCRIPTION	DATE	DWN	APVD	
DS	-							
SEE 1 OF 4 SHEET								

NO	PART NO	DESCRIPTION	MATERIAL	COLOR	CODE	REQUIRED PER ASSEMBLY										
						K	Q	H	G	C						
②	0-368235-1	LEVER HSG	PBT GF20	BLACK												
①	5-1743110-7			JET BLACK (RAL 9005)	I-R		1									
①	5-1743110-6			Traffic Yellow (RAL 1023)	S-Y			1								
①	5-1743110-5	COVER HSG	PBT GF20	Signal Blue (RAL 5005)	S-X				1							
①	5-1743110-3			Signal Green (RAL 6032)	R-X					1						
①	5-1743110-2	COVER HSG	PBT GF20	Graphite Black (RAL 9011)	R-W						1					

<small>THIS DRAWING IS A CONTROLLED DOCUMENT FOR TYCO ELECTRONICS CORPORATION. IT IS SUBJECT TO CHANGE AND THE CONTROLLING ENGINEERING ORGANIZATION SHOULD BE CONTACTED FOR THE LATEST REVISION.</small>		DWN CHK APVD SEE 1 OF 4 SHEET			
DIMENSIONS: MM 		TOLERANCES UNLESS OTHERWISE SPECIFIED: 0 <XX<10 ± 0.2 10<XX<30 ± 0.25 30<XX ± 0.3 ANGLES ± 3°		NAME AIRBAG 50P COVER ASS'Y	
MATERIAL SEE TABLE		FINISH SEE TABLE		APPLICATION SPEC WEIGHT CUSTOMER DRAWING	
		SIZE CAGE CODE DRAWING NO A200779 C=1743109		RESTRICTED TO -	
		SCALE 2/1		SHEET 4 OF 4 REV K	

Данный компонент на территории Российской Федерации

Вы можете приобрести в компании MosChip.

Для оперативного оформления запроса Вам необходимо перейти по данной ссылке:

<http://moschip.ru/get-element>

Вы можете разместить у нас заказ для любого Вашего проекта, будь то серийное производство или разработка единичного прибора.

В нашем ассортименте представлены ведущие мировые производители активных и пассивных электронных компонентов.

Нашей специализацией является поставка электронной компонентной базы двойного назначения, продукции таких производителей как XILINX, Intel (ex.ALTERA), Vicor, Microchip, Texas Instruments, Analog Devices, Mini-Circuits, Amphenol, Glenair.

Сотрудничество с глобальными дистрибьюторами электронных компонентов, предоставляет возможность заказывать и получать с международных складов практически любой перечень компонентов в оптимальные для Вас сроки.

На всех этапах разработки и производства наши партнеры могут получить квалифицированную поддержку опытных инженеров.

Система менеджмента качества компании отвечает требованиям в соответствии с ГОСТ Р ИСО 9001, ГОСТ РВ 0015-002 и ЭС РД 009

Офис по работе с юридическими лицами:

105318, г.Москва, ул.Щербаковская д.3, офис 1107, 1118, ДЦ «Щербаковский»

Телефон: +7 495 668-12-70 (многоканальный)

Факс: +7 495 668-12-70 (доб.304)

E-mail: info@moschip.ru

Skype отдела продаж:

moschip.ru

moschip.ru_4

moschip.ru_6

moschip.ru_9