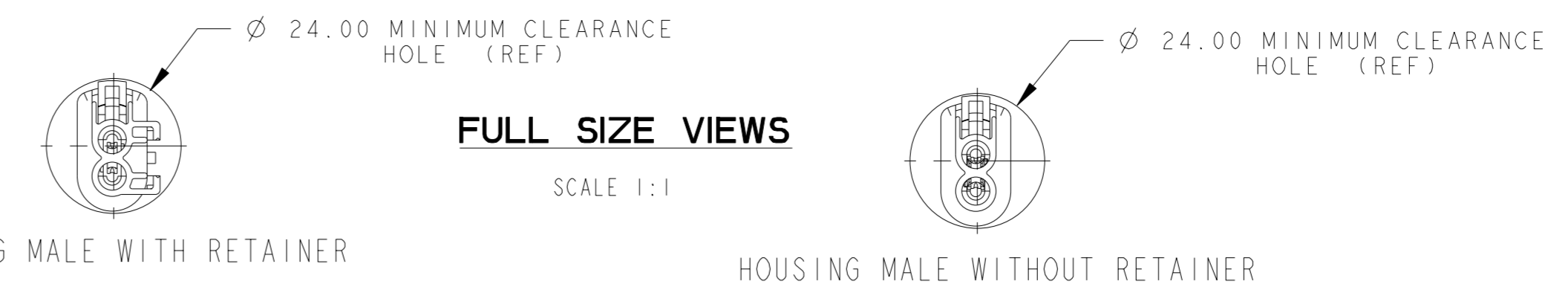


REVISIONS			
REV	DESCRIPTION	DATE	BY
A2	REDRAWN AND REVISED FOR ECR 06-003008	21FEB2004	MP RM
A3	REDRAWN FOR ECR-08-013212	03JUN2008	DS RM
A4	ECR-15-008793	16JAN2015	GN GB
A5	PART REV. CORRECTION; 5-1437710-5-6-7-8	22JUN2014	GB SZG

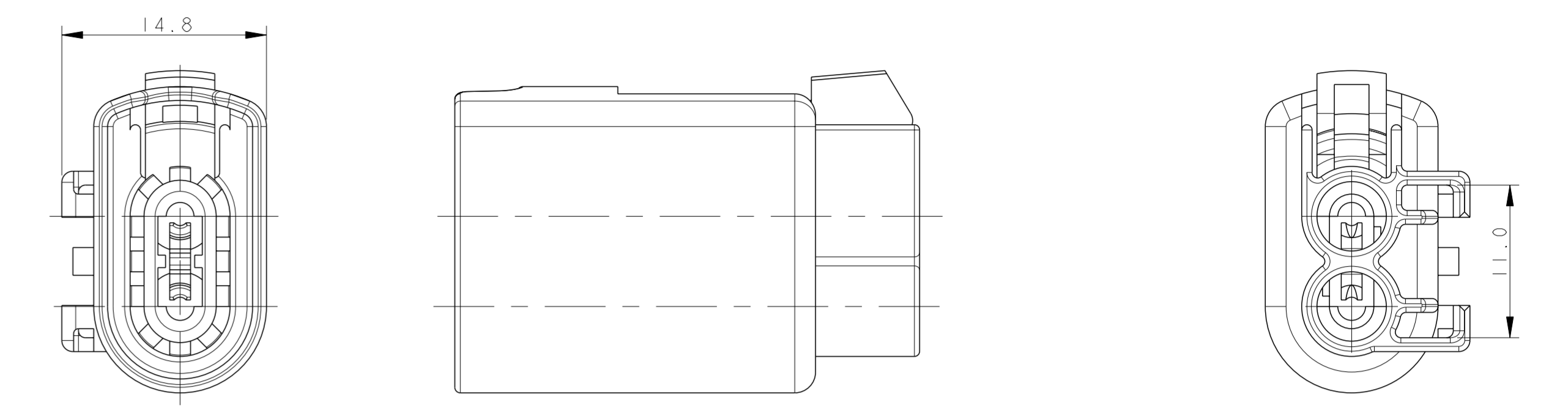


FULL SIZE VIEWS
SCALE 1:1

PART AS SUPPLIED				COMPONENTS			COLOURS			MATERIALS			SUITABLE FOR		
TE PART No.	DESCRIPTION	WATERPROOF	WEIGHT	1 HOUSING	2 SPACER	3 SEAL	1 HOUSING	2 SPACER	3 SEAL	1 HOUSING	2 SPACER	3 SEAL	1 HOUSING	2 SPACER	3 SEAL
5-1437710-5	2 WAY MALE CONNECTOR	YES	4.66 gr.	1	1	1	BLACK	LIGHT BLUE	REDDISH BROWN	HS - PBTP 30% GF	PBTP 33% GF	SILICONE ELASTOMER	TERMINAL FEMALE		
5-1437710-6	2 WAY MALE CONNECTOR WITH RETAINER		5.06 gr.	1	1	1							0-1437709-9 (0.22-0.35mm ²) GOLD PLATED 1-1437709-0 (0.50-1.00mm ²) GOLD PLATED 1-1437709-7 (1.50mm ²) GOLD PLATED 1-1437709-4 (0.22-0.35mm ²) TIN PLATED 1-1437709-5 (0.50-1.00mm ²) TIN PLATED 1-1437709-6 (1.50mm ²) TIN PLATED	WIRE SEAL	
5-1437710-7	2 WAY MALE CONNECTOR	NO	4.64 gr.	1	1	1	BLACK	RED	SILICONE ELASTOMER	TERMINAL FEMALE			WIRE SEAL		
5-1437710-8	2 WAY MALE CONNECTOR WITH RETAINER		4.84 gr.	1	1	1				1-1437713-1 (0.22-0.35) BLACK 1-1437713-2 (0.50-1.00) RED 1-1437713-3 (1.50) BLUE	BLIND PLUG				

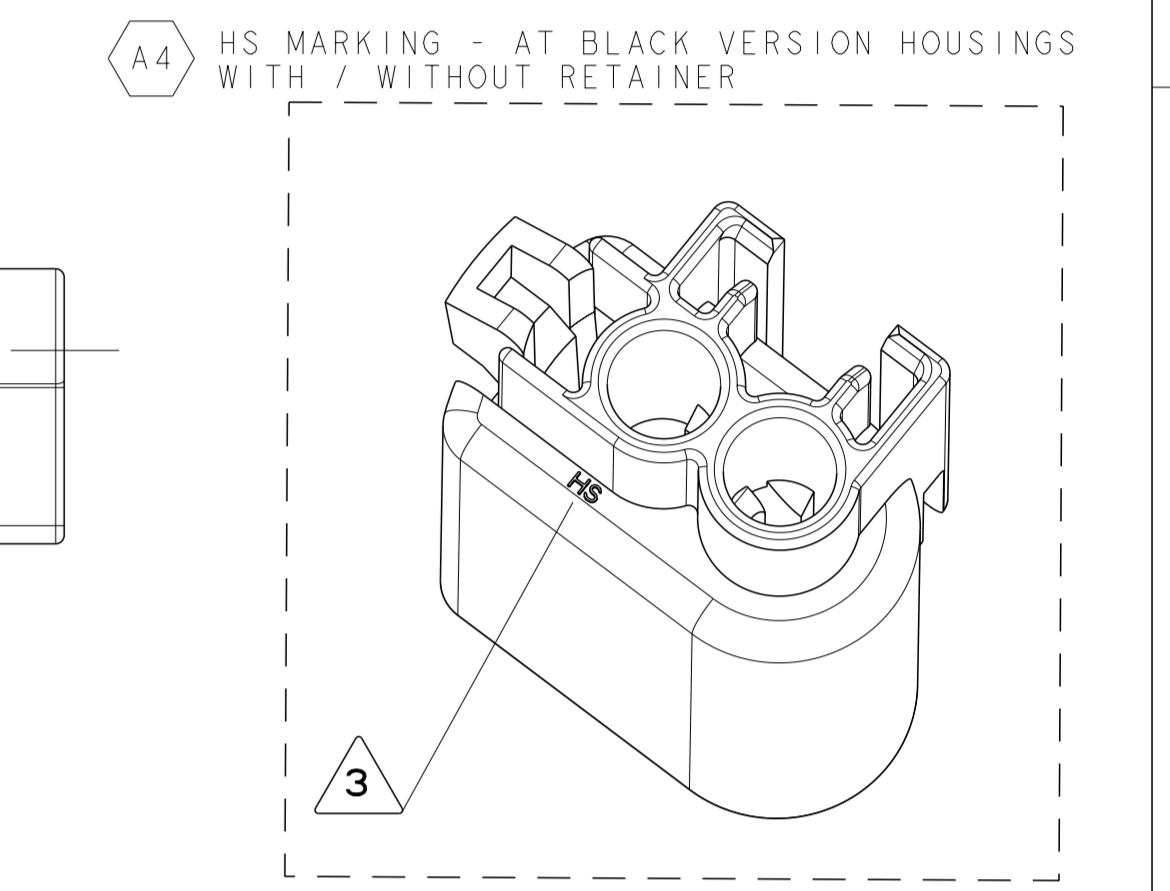
MATING PARTS	
TE PART No.	DESCRIPTION
2-1437712-5	2 WAY FEMALE CONNECTOR WATERPROOF
2-1437713-6	2 WAY FEMALE CONNECTOR NON WATERPROOF

1 HOUSING WITH RETAINER
WATERPROOF / NOT WATERPROOF



PART AS SUPPLIED				COMPONENTS			COLOURS			MATERIALS			SUITABLE FOR		
TE PART No.	DESCRIPTION	WATERPROOF	WEIGHT	1 HOUSING	2 SPACER	3 SEAL	1 HOUSING	2 SPACER	3 SEAL	1 HOUSING	2 SPACER	3 SEAL	1 HOUSING	2 SPACER	3 SEAL
6-1437710-6	2 WAY MALE CONNECTOR	YES	4.66 gr.	1	1	1	NATURAL	LIGHT BLUE	REDDISH BROWN	PBTP 33% GF	PBTP 33% GF	SILICONE ELASTOMER	TERMINAL FEMALE		
6-1437710-7	2 WAY MALE CONNECTOR WITH RETAINER		5.06 gr.	1	1	1							0-1437709-9 (0.22-0.35mm ²) GOLD PLATED 1-1437709-0 (0.50-1.00mm ²) GOLD PLATED 1-1437709-7 (1.50mm ²) GOLD PLATED 1-1437709-4 (0.22-0.35mm ²) TIN PLATED 1-1437709-5 (0.50-1.00mm ²) TIN PLATED 1-1437709-6 (1.50mm ²) TIN PLATED	WIRE SEAL	
6-1437710-8	2 WAY MALE CONNECTOR	NO	4.64 gr.	1	1	1	NATURAL	RED	SILICONE ELASTOMER	TERMINAL FEMALE			WIRE SEAL		
6-1437710-9	2 WAY MALE CONNECTOR WITH RETAINER		4.84 gr.	1	1	1				1-1437713-1 (0.22-0.35) BLACK 1-1437713-2 (0.50-1.00) RED 1-1437713-3 (1.50) BLUE	BLIND PLUG				

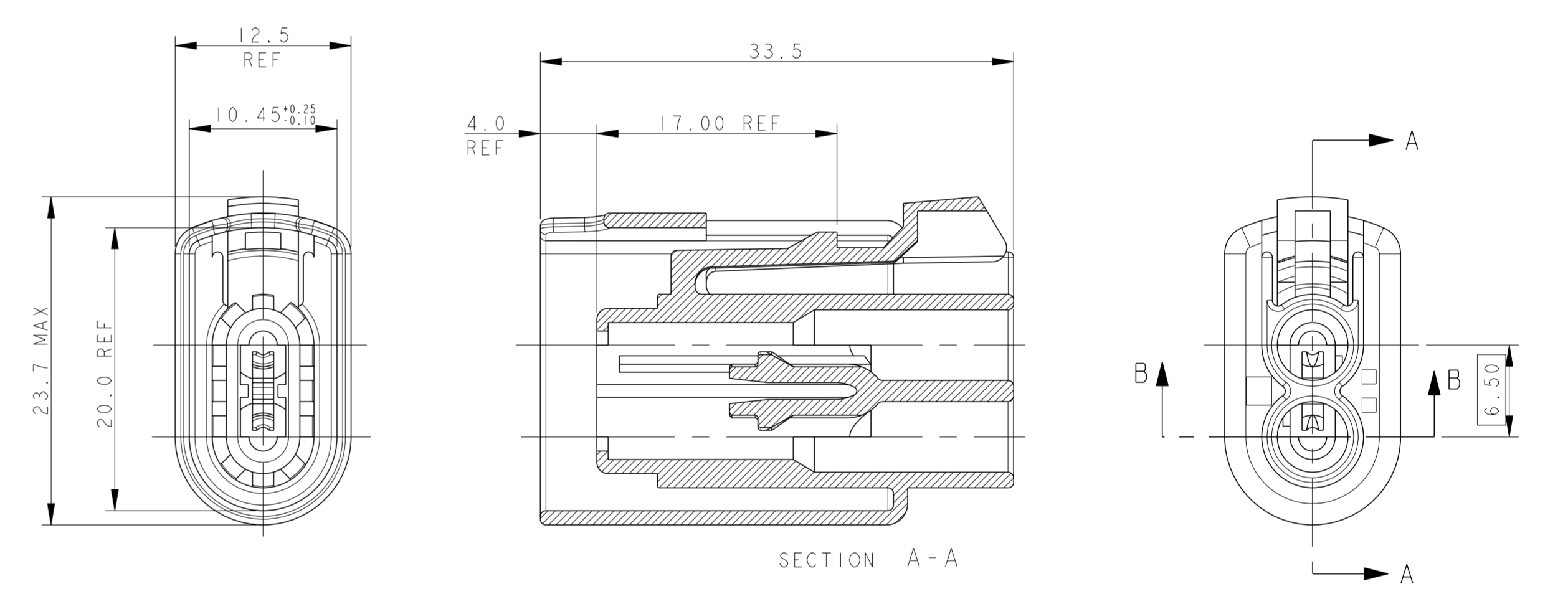
MATING PARTS	
TE PART No.	DESCRIPTION
2-1437712-8	2 WAY FEMALE CONNECTOR WATERPROOF
2-1437713-8	2 WAY FEMALE CONNECTOR NON WATERPROOF



1 HOUSING WITHOUT RETAINER
WATERPROOF / NOT WATERPROOF

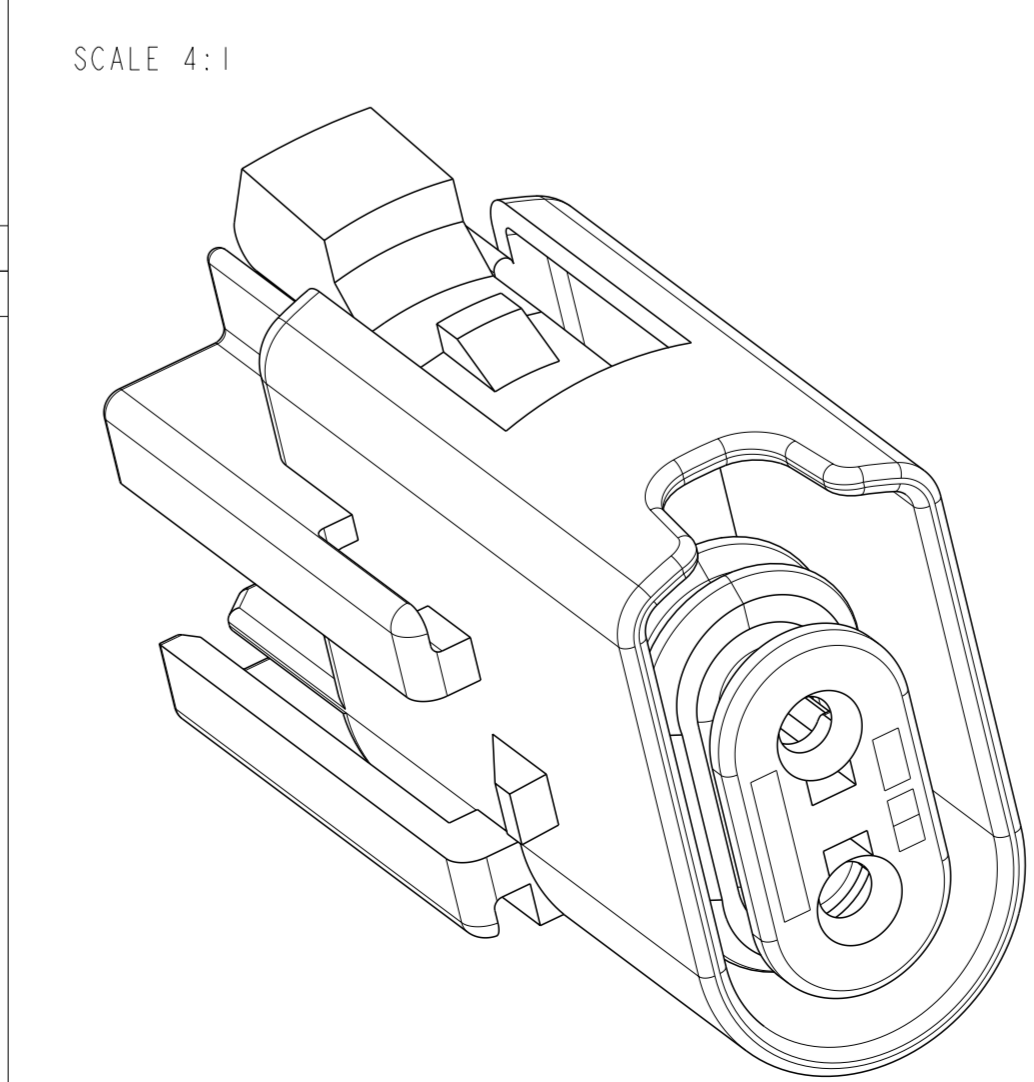
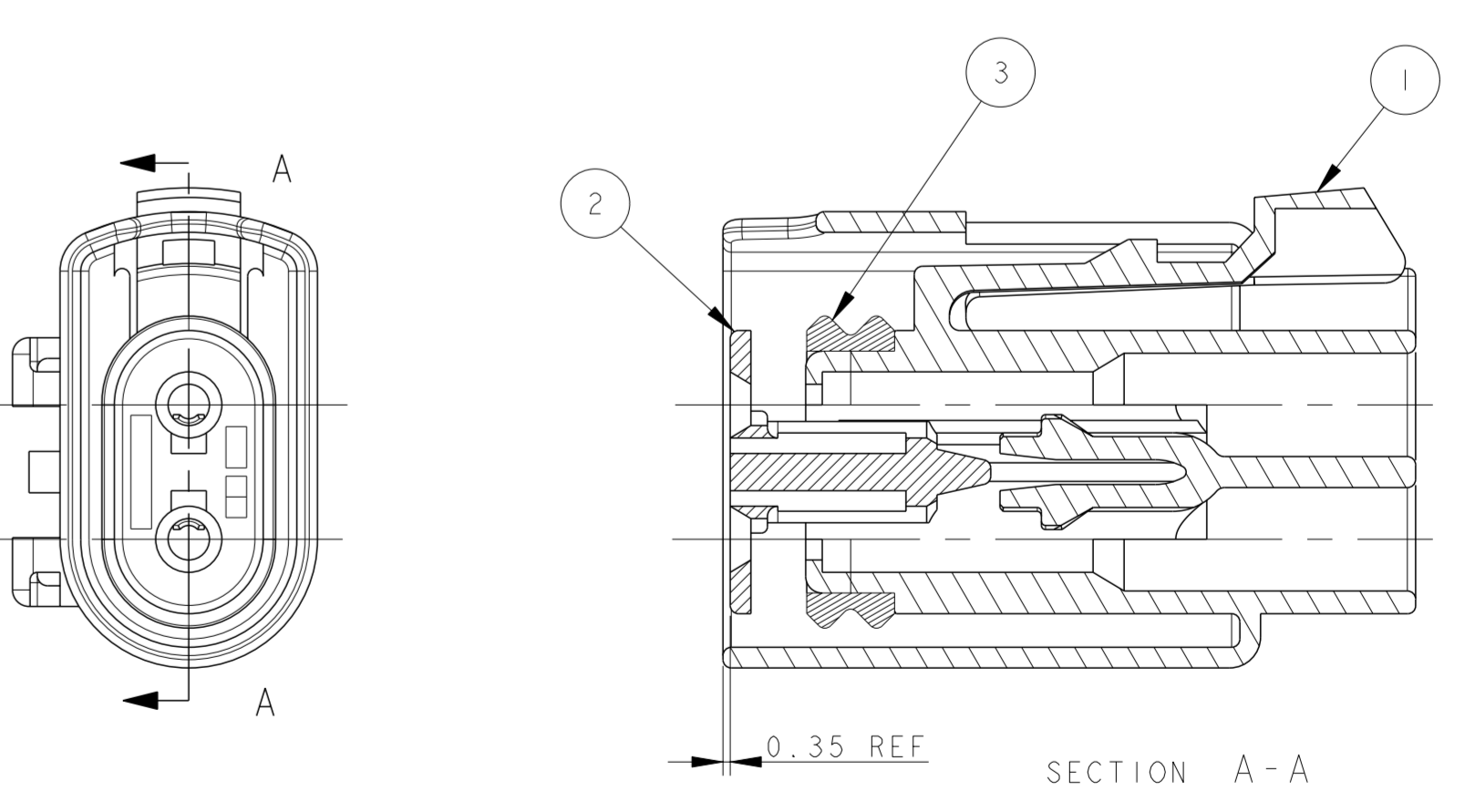
PART AS SUPPLIED				COMPONENTS			COLOURS			MATERIALS			SUITABLE FOR		
TE PART No.	DESCRIPTION	WATERPROOF	WEIGHT	1 HOUSING	2 SPACER	3 SEAL	1 HOUSING	2 SPACER	3 SEAL	1 HOUSING	2 SPACER	3 SEAL	1 HOUSING	2 SPACER	3 SEAL
7-1437710-0	2 WAY MALE CONNECTOR WITH RETAINER	YES	5.06 gr.	1	1	1	RED	LIGHT BLUE	REDDISH BROWN	PBTP 33% GF	PBTP 33% GF	SILICONE ELASTOMER	TERMINAL FEMALE		
7-1437710-1	2 WAY MALE CONNECTOR		4.84 gr.	1	1	1							0-1437709-9 (0.22-0.35mm ²) GOLD PLATED 1-1437709-0 (0.50-1.00mm ²) GOLD PLATED 1-1437709-7 (1.50mm ²) GOLD PLATED 1-1437709-4 (0.22-0.35mm ²) TIN PLATED 1-1437709-5 (0.50-1.00mm ²) TIN PLATED 1-1437709-6 (1.50mm ²) TIN PLATED	WIRE SEAL	
7-1437710-2	2 WAY MALE CONNECTOR WITH RETAINER	NO	4.84 gr.	1	1	1	RED	RED	SILICONE ELASTOMER	TERMINAL FEMALE			WIRE SEAL		
7-1437710-3	2 WAY MALE CONNECTOR		5.06 gr.	1	1	1				1-1437713-1 (0.22-0.35) BLACK 1-1437713-2 (0.50-1.00) RED 1-1437713-3 (1.50) BLUE	BLIND PLUG				

MATING PARTS	
TE PART No.	DESCRIPTION
2-1437712-9	2 WAY FEMALE CONNECTOR WATERPROOF
2-1437713-9	2 WAY FEMALE CONNECTOR NON WATERPROOF



PART AS SUPPLIED				COMPONENTS			COLOURS			MATERIALS			SUITABLE FOR		
TE PART No.	DESCRIPTION	WATERPROOF	WEIGHT	1 HOUSING	2 SPACER	3 SEAL	1 HOUSING	2 SPACER	3 SEAL	1 HOUSING	2 SPACER	3 SEAL	1 HOUSING	2 SPACER	3 SEAL
5-1437710-9	2 WAY MALE CONNECTOR	YES	4.66 gr.	1	1	1	BLUE	LIGHT BLUE	REDDISH BROWN	PBTP 33% GF	PBTP 33% GF	SILICONE ELASTOMER	TERMINAL FEMALE		
6-1437710-0	2 WAY MALE CONNECTOR WITH RETAINER		5.06 gr.	1	1	1							0-1437709-9 (0.22-0.35mm ²) GOLD PLATED 1-1437709-0 (0.50-1.00mm ²) GOLD PLATED 1-1437709-7 (1.50mm ²) GOLD PLATED 1-1437709-4 (0.22-0.35mm ²) TIN PLATED 1-1437709-5 (0.50-1.00mm ²) TIN PLATED 1-1437709-6 (1.50mm ²) TIN PLATED	WIRE SEAL	
6-1437710-1	2 WAY MALE CONNECTOR	NO	4.64 gr.	1	1	1	BLUE	RED	SILICONE ELASTOMER	TERMINAL FEMALE			WIRE SEAL		
6-1437710-2	2 WAY MALE CONNECTOR WITH RETAINER		4.84 gr.	1	1	1				1-1437713-1 (0.22-0.35) BLACK 1-1437713-2 (0.50-1.00) RED 1-1437713-3 (1.50) BLUE	BLIND PLUG				

MATING PARTS	
TE PART No.	DESCRIPTION
2-1437712-6	2 WAY FEMALE CONNECTOR WATERPROOF
2-1437713-6	2 WAY FEMALE CONNECTOR NON WATERPROOF



NOTES UNLESS OTHERWISE SPECIFIED:
 1) SEE CHART FOR MATING PART NUMBERS.
 2) THE CONNECTOR WITH AND WITHOUT RETAINER MOUNTING FEATURE IS DESIGNED TO PASS THROUGH A Ø 24.00mm MIN. HOLE
 A4 HS MARKING - HIGH SPEED MATERIAL PBT GF 30 IN CASE BLACK HOUSING WITH / WITHOUT RETAINER VERSION ONLY

PART AS SUPPLIED				COMPONENTS			COLOURS			MATERIALS			SUITABLE FOR		
TE PART No.	DESCRIPTION	WATERPROOF	WEIGHT	1 HOUSING	2 SPACER	3 SEAL	1 HOUSING	2 SPACER	3 SEAL	1 HOUSING	2 SPACER	3 SEAL	1 HOUSING	2 SPACER	3 SEAL
6-1437710-3	2 WAY MALE CONNECTOR	YES	4.66 gr.	1	1	1	GRAY	LIGHT BLUE	REDDISH BROWN	PBTP 33% GF	PBTP 33% GF	SILICONE ELASTOMER	TERMINAL FEMALE		
6-1437710-4	2 WAY MALE CONNECTOR WITH RETAINER		5.06 gr.	1	1	1							0-1437709-9 (0.22-0.35mm ²) GOLD PLATED 1-1437709-0 (0.50-1.00mm ²) GOLD PLATED 1-1437709-7 (1.50mm ²) GOLD PLATED 1-1437709-4 (0.22-0.35mm ²) TIN PLATED 1-1437709-5 (0.50-1.00mm ²) TIN PLATED 1-1437709-6 (1.50mm ²) TIN PLATED	WIRE SEAL	
6-1437710-5	2 WAY MALE CONNECTOR	NO	4.64 gr.	1	1	1	GRAY	RED	SILICONE ELASTOMER	TERMINAL FEMALE			WIRE SEAL		
6-1437710-6	2 WAY MALE CONNECTOR WITH RETAINER		5.06 gr.	1	1	1				1-1437713-1 (0.22-0.35) BLACK 1-1437713-2 (0.50-1.00) RED 1-1437713-3 (1.50) BLUE	BLIND PLUG				

MATING PARTS	
TE PART No.	DESCRIPTION
2-1437712-7	2 WAY FEMALE CONNECTOR WATERPROOF
2-1437713-7	2 WAY FEMALE CONNECTOR NON WATERPROOF

PART AS SUPPLIED				COMPONENTS			COLOURS			MATERIALS			SUITABLE FOR		
TE PART No.	DESCRIPTION	WATERPROOF	WEIGHT	1 HOUSING	2 SPACER	3 SEAL	1 HOUSING	2 SPACER	3 SEAL	1 HOUSING	2 SPACER	3 SEAL	1 HOUSING	2 SPACER	3 SEAL
7-1437710-2	2 WAY MALE CONNECTOR	YES	4.66 gr.	1	1	1	YELLOW	LIGHT BLUE	REDDISH BROWN	PBTP 33% GF	PBTP 33% GF	SILICONE ELASTOMER	TERMINAL FEMALE		
7-1437710-3	2 WAY MALE CONNECTOR WITH RETAINER		5.06 gr.	1	1	1							0-1437709-9 (0.22-0.35mm ²) GOLD PLATED 1-1437709-0 (0.50-1.00mm ²) GOLD PLATED 1-1437709-7 (1.50mm ²) GOLD PLATED 1-1437709-4 (0.22-0.35mm ²) TIN PLATED 1-1437709-5 (0.50-1.00mm ²) TIN PLATED 1-1437709-6 (1.50mm ²) TIN PLATED	WIRE SEAL	
7-1437710-4	2 WAY MALE CONNECTOR	NO	4.64 gr.	1	1	1	YELLOW	RED	SILICONE ELASTOMER	TERMINAL FEMALE			WIRE SEAL		
7-1437710-5	2 WAY MALE CONNECTOR WITH RETAINER		4.84 gr.	1	1	1				1-1437713-1 (0.22-0.35) BLACK 1-1437713-2 (0.50-1.00) RED 1-1437713-3 (1.50) BLUE	BLIND PLUG				

MATING PARTS	
TE PART No.	DESCRIPTION
2-1437712-0	2 WAY FEMALE CONNECTOR WATERPROOF
2-1437713-0	2 WAY FEMALE CONNECTOR NON WATERPROOF

THIS DRAWING IS A CONTROLLED DOCUMENT.		REV: 20MAY2008	DATE: 20MAY2008	BY: J. GENTILE	APP: J. GENTILE	CHK: M. MARTINI	DRW: J. GENTILE	SCALE: 3:1	SHEET: 1 of 2
DIMENSIONS: 0 P/LC ±0.3		TOLERANCES UNLESS OTHERWISE SPECIFIED:		PRODUCT SPEC: 1.6mm SYSTEM		APPLICATION SPEC: 08-20269		RESTRICTED TO: CUSTOMER DRAWING	
MATERIAL: SEE TABLES		FINISH: 0 P/LC ±0.3		WEIGHT: SEE TABLES		PART NO: 00779		PART NO: 1418066	

2 WAY MALE, BLACK WATERPROOF VERSION WITH RETAINER

ASSEMBLY	
T&B UNIVERSAL PART No	106049
TE PART No.	0-1437710-8
T&B FORD PART No	NPITA-00R2XX
FORD PART No	91AG-14A464-BBC
TE PART No.	5-1437710-6

⚠️ OBSOLETE, SUPERSEDED BY 5-1437710-6

2 WAY MALE, NATURAL WATERPROOF VERSION WITH RETAINER

ASSEMBLY	
T&B UNIVERSAL PART No	106049-N
TE PART No.	1-1437710-0
T&B FORD PART No	NPITA-NOR2XX
FORD PART No	91AG-14A464-BBC
TE PART No.	6-1437710-7

⚠️ OBSOLETE, SUPERSEDED BY 6-1437710-7

2 WAY MALE, RED WATERPROOF VERSION WITH RETAINER

ASSEMBLY	
T&B UNIVERSAL PART No	106049-R
TE PART No.	1-1437710-1
T&B FORD PART No	NPITA-ROR2XX
FORD PART No	91AG-14A464-BBC
TE PART No.	7-1437710-0

⚠️ OBSOLETE, SUPERSEDED BY 7-1437710-0

2 WAY MALE, GREY WATERPROOF VERSION WITH RETAINER

ASSEMBLY	
T&B UNIVERSAL PART No	106049-G
TE PART No.	6-1437710-4
T&B FORD PART No	NPITA-GOR2XX
FORD PART No	91AG-14A464-BBC
TE PART No.	6-1437710-4

2 WAY MALE, YELLOW WATERPROOF VERSION WITH RETAINER

ASSEMBLY	
T&B UNIVERSAL PART No	106049-Y
TE PART No.	7-1437710-3
T&B FORD PART No	NPITA-YOR2XX
FORD PART No	91AG-14A464-BBC
TE PART No.	7-1437710-3

2 WAY MALE, BLUE WATERPROOF VERSION WITH RETAINER

ASSEMBLY	
T&B UNIVERSAL PART No	106049-D
TE PART No.	0-1437710-9
T&B FORD PART No	NPITA-DOR2XX
FORD PART No	91AG-14A464-BBC
TE PART No.	6-1437710-0

⚠️ OBSOLETE, SUPERSEDED BY 6-1437710-0

2 WAY MALE, BLACK WATERPROOF VERSION WITHOUT RETAINER

ASSEMBLY	
T&B UNIVERSAL PART No	106047
TE PART No.	5-1437710-5
T&B FORD PART No	NPITA-0002XX
FORD PART No	89FG-14A464-ABB
TE PART No.	5-1437710-5

2 WAY MALE, NATURAL WATERPROOF VERSION WITHOUT RETAINER

ASSEMBLY	
T&B UNIVERSAL PART No	106047-N
TE PART No.	6-1437710-6
T&B FORD PART No	NPITA-N002XX
FORD PART No	89FG-14A464-ABB
TE PART No.	6-1437710-6

2 WAY MALE, RED WATERPROOF VERSION WITHOUT RETAINER

ASSEMBLY	
T&B UNIVERSAL PART No	106047-R
TE PART No.	-
T&B FORD PART No	NPITA-R002XX
FORD PART No	89FG-14A464-ABB
TE PART No.	-

2 WAY MALE, GREY WATERPROOF VERSION WITHOUT RETAINER

ASSEMBLY	
T&B UNIVERSAL PART No	106047-G
TE PART No.	6-1437710-3
T&B FORD PART No	NPITA-G002XX
FORD PART No	89FG-14A464-ABB
TE PART No.	6-1437710-3

2 WAY MALE, YELLOW WATERPROOF VERSION WITHOUT RETAINER

ASSEMBLY	
T&B UNIVERSAL PART No	106047-Y
TE PART No.	7-1437710-2
T&B FORD PART No	NPITA-Y002XX
FORD PART No	89FG-14A464-ABB
TE PART No.	7-1437710-2

2 WAY MALE, BLUE WATERPROOF VERSION WITHOUT RETAINER

ASSEMBLY	
T&B UNIVERSAL PART No	106047-D
TE PART No.	5-1437710-9
T&B FORD PART No	NPITA-D002XX
FORD PART No	89FG-14A464-ABB
TE PART No.	5-1437710-9

2 WAY MALE, BLACK NON WATERPROOF VERSION WITH RETAINER

ASSEMBLY	
T&B UNIVERSAL PART No	106050
TE PART No.	1-1437710-2
T&B FORD PART No	NPITA-0AR2XX
FORD PART No	91AG-14489-BBC
TE PART No.	5-1437710-8

⚠️ OBSOLETE, SUPERSEDED BY 5-1437710-8

2 WAY MALE, NATURAL NON WATERPROOF VERSION WITH RETAINER

ASSEMBLY	
T&B UNIVERSAL PART No	106050-N
TE PART No.	6-1437710-9
T&B FORD PART No	NPITA-NAR2XX
FORD PART No	91AG-14489-BBC
TE PART No.	6-1437710-9

2 WAY MALE, RED NON WATERPROOF VERSION WITH RETAINER

ASSEMBLY	
T&B UNIVERSAL PART No	106050-R
TE PART No.	7-1437710-1
T&B FORD PART No	NPITA-RAR2XX
FORD PART No	91AG-14489-BBC
TE PART No.	7-1437710-1

2 WAY MALE, GREY NON WATERPROOF VERSION WITH RETAINER

ASSEMBLY	
T&B UNIVERSAL PART No	106050-G
TE PART No.	-
T&B FORD PART No	NPITA-GAR2XX
FORD PART No	91AG-14489-BBC
TE PART No.	-

2 WAY MALE, YELLOW NON WATERPROOF VERSION WITH RETAINER

ASSEMBLY	
T&B UNIVERSAL PART No	106050-Y
TE PART No.	7-1437710-5
T&B FORD PART No	NPITA-YAR2XX
FORD PART No	91AG-14489-BBC
TE PART No.	7-1437710-5

2 WAY MALE, BLUE NON WATERPROOF VERSION WITH RETAINER

ASSEMBLY	
T&B UNIVERSAL PART No	106050-D
TE PART No.	6-1437710-2
T&B FORD PART No	NPITA-DAR2XX
FORD PART No	91AG-14489-BBC
TE PART No.	6-1437710-2

2 WAY MALE, BLACK NON WATERPROOF VERSION WITHOUT RETAINER

ASSEMBLY	
T&B UNIVERSAL PART No	106048
TE PART No.	0-1437710-7
T&B FORD PART No	NPITA-0A02XX
FORD PART No	89FG-14489-ABB
TE PART No.	5-1437710-7

⚠️ OBSOLETE, SUPERSEDED BY 5-1437710-7

2 WAY MALE, NATURAL NON WATERPROOF VERSION WITHOUT RETAINER

ASSEMBLY	
T&B UNIVERSAL PART No	106048-N
TE PART No.	6-1437710-8
T&B FORD PART No	NPITA-NA02XX
FORD PART No	89FG-14489-ABB
TE PART No.	6-1437710-8

2 WAY MALE, RED NON WATERPROOF VERSION WITHOUT RETAINER

ASSEMBLY	
T&B UNIVERSAL PART No	106048-R
TE PART No.	-
T&B FORD PART No	NPITA-RA02XX
FORD PART No	89FG-14489-ABB
TE PART No.	-

2 WAY MALE, GREY NON WATERPROOF VERSION WITHOUT RETAINER

ASSEMBLY	
T&B UNIVERSAL PART No	106048-G
TE PART No.	6-1437710-5
T&B FORD PART No	NPITA-GA02XX
FORD PART No	89FG-14489-ABB
TE PART No.	6-1437710-5

2 WAY MALE, YELLOW NON WATERPROOF VERSION WITHOUT RETAINER

ASSEMBLY	
T&B UNIVERSAL PART No	106048-Y
TE PART No.	7-1437710-4
T&B FORD PART No	NPITA-YA02XX
FORD PART No	89FG-14489-ABB
TE PART No.	7-1437710-4

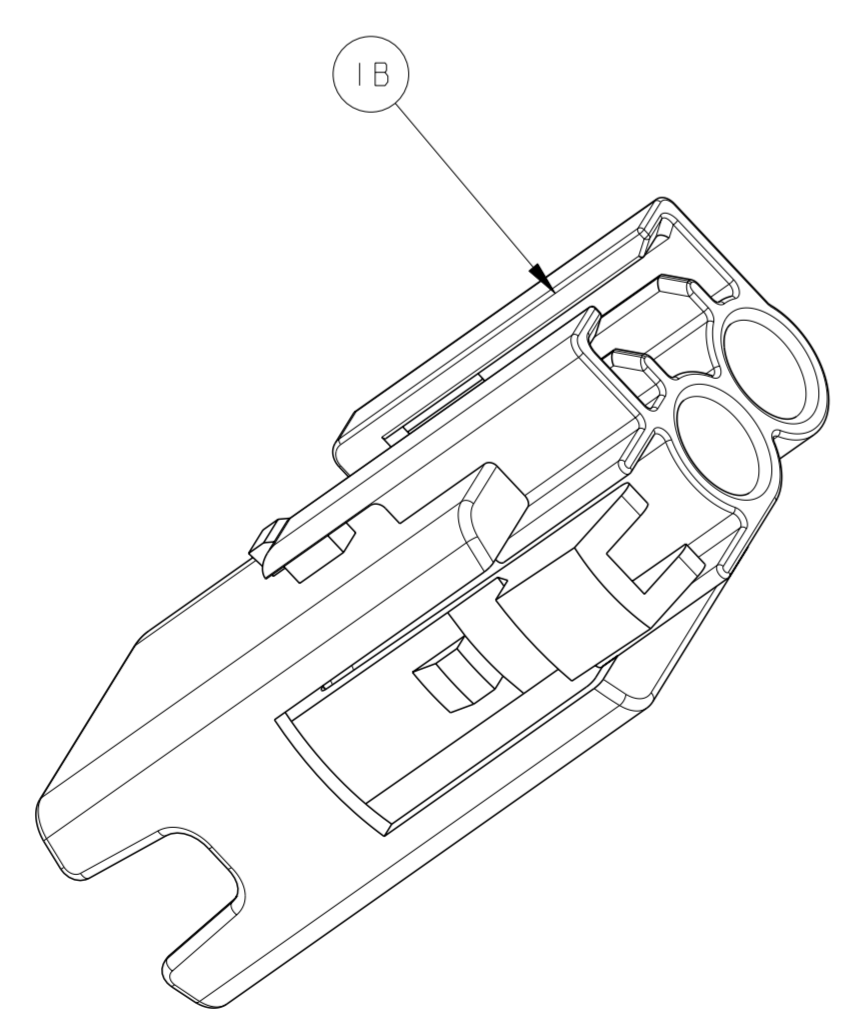
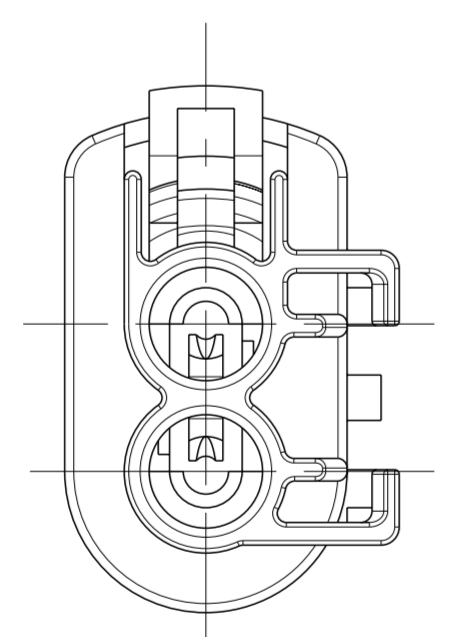
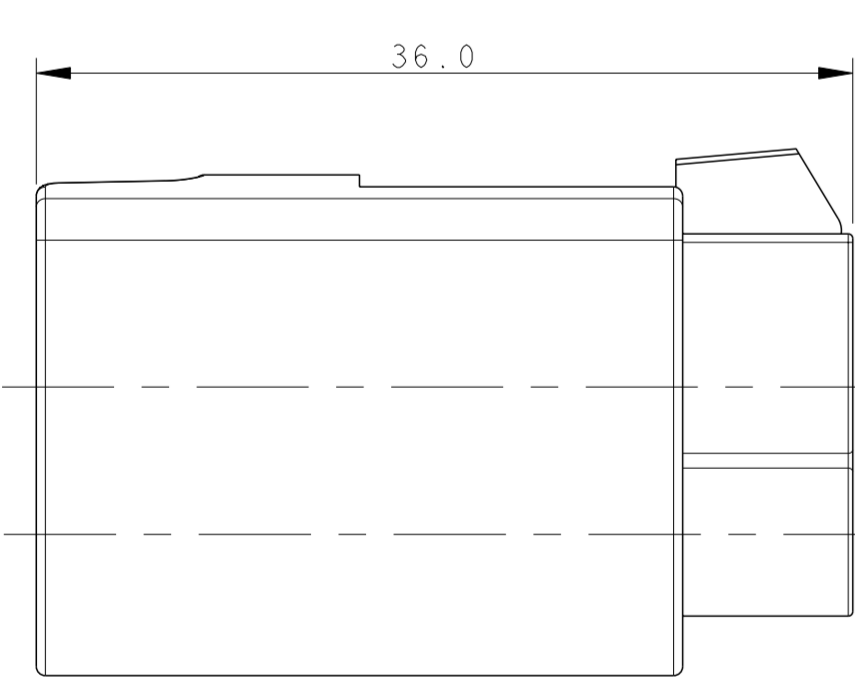
2 WAY MALE, BLUE NON WATERPROOF VERSION WITHOUT RETAINER

ASSEMBLY	
T&B UNIVERSAL PART No	106048-D
TE PART No.	6-1437710-1
T&B FORD PART No	NPITA-DA02XX
FORD PART No	89FG-14489-ABB
TE PART No.	6-1437710-1

2 WAY MALE, GREY WATERPROOF VERSION WITH EXTENDED SHROUD

ASSEMBLY	
T&B PART No	2450159-001
FORD PART No	98AG-14A464-DBA
TE PART No.	0-1437710-1

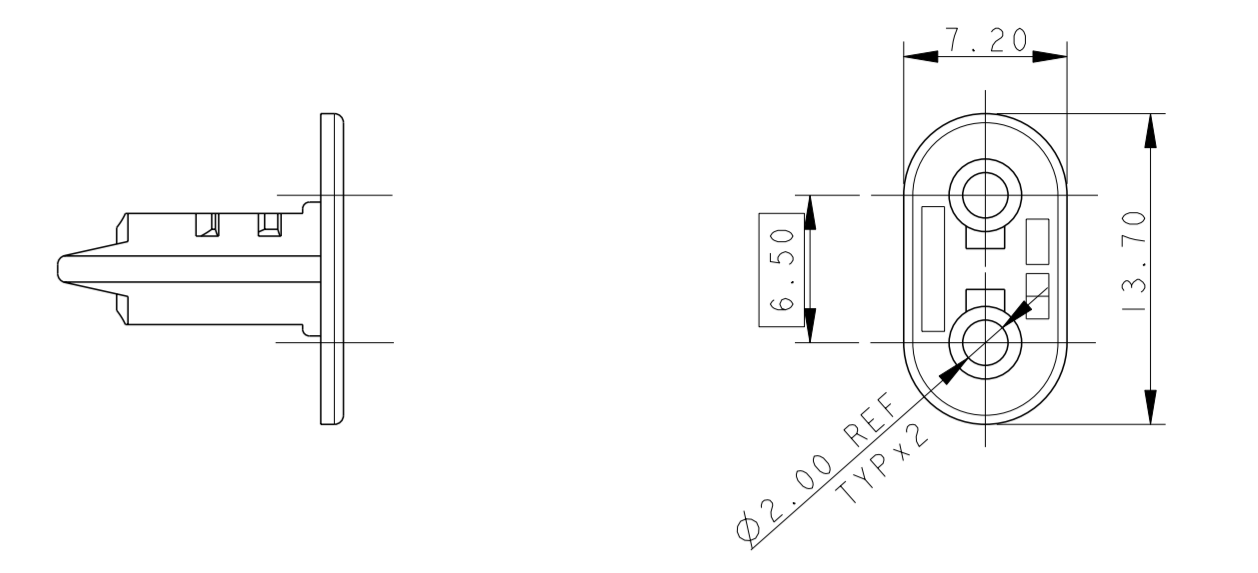
⚠️ IMPORTANT! ADD COLOUR AT ORDERS WITH FORD-PN'S
 E.G. 91AG-14A464-BBC RED



2 WAY MALE, GREY VERSION P/N 0-1437710-1 WITH EXTENDED SHROUD

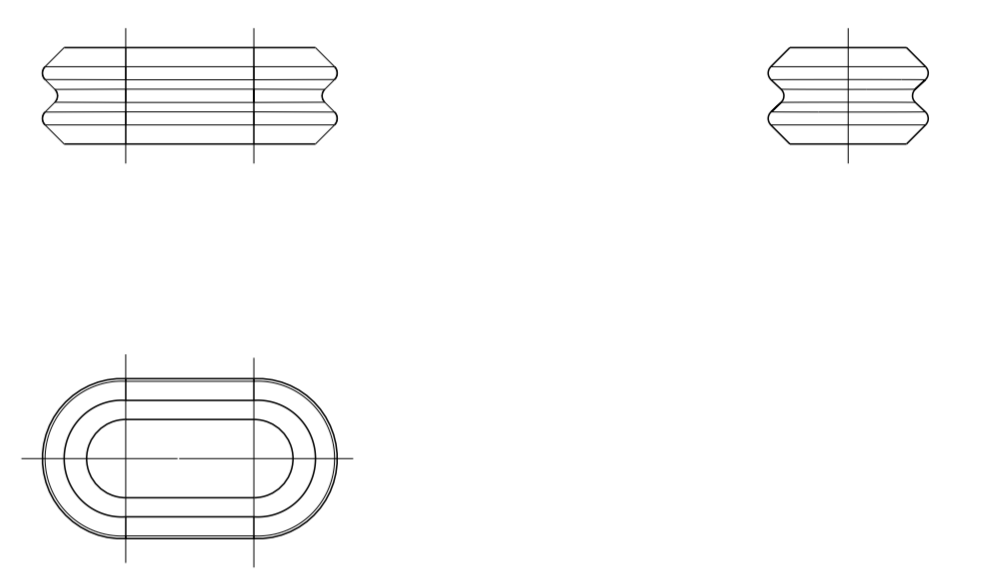
2 SPACER

WATERPROOF (LIGHT BLUE)
 NOT WATERPROOF (RED)



3 SEAL

WATERPROOF



		DESCRIPTION	ITEM
		HOUSING WITH RETAINER (BLACK)	1
		HOUSING WITHOUT RETAINER (BLACK)	1
		HOUSING WITH RETAINER (NATURAL)	1
		HOUSING WITHOUT RETAINER (NATURAL)	1
		HOUSING WITH RETAINER (RED)	1
		HOUSING WITHOUT RETAINER (RED)	1
		HOUSING WITH RETAINER (YELLOW)	1
		HOUSING WITHOUT RETAINER (YELLOW)	1
		HOUSING WITH RETAINER (GRAY)	1
		HOUSING WITHOUT RETAINER (GRAY)	1
		HOUSING WITH RETAINER (BLUE)	1
		HOUSING WITHOUT RETAINER (BLUE)	1
		HOUSING WITH EXTENDED SHROUD WITH RETAINER (GRAY)	1B
		SPACER (RED)	2
		SPACER (LIGHT BLUE)	2
		SEAL (REDDISH BROWN)	3

PART AS SUPPLIED				COMPONENTS			COLOURS			MATERIALS		
TE PART No.	DESCRIPTION	WATERPROOF	WEIGHT	1 HOUSING	2 SPACER	3 SEAL	1 HOUSING	2 SPACER	3 SEAL	1 HOUSING	2 SPACER	3 SEAL
-	2 WAY MALE CONNECTOR WITH EXTENDED SHROUD	YES	-	1	1	1						
0-1437710-1	2 WAY MALE CONNECTOR WITH EXTENDED SHROUD WITH RETAINER	YES	5.46 gr.	1	1	1						
-	2 WAY MALE CONNECTOR WITH EXTENDED SHROUD	NO	-	1	1	1						
-	2 WAY MALE CONNECTOR WITH EXTENDED SHROUD WITH RETAINER	NO	-	1	1	1						

SUITABLE FOR	
TERMINAL FEMALE	WIRE SEAL
0-1437709-9 (0.22-0.35mm ²) GOLD PLATED	1-1437713-1 (0.22-0.35) BLACK
1-1437709-0 (0.50-1.00mm ²) GOLD PLATED	1-1437713-2 (0.50-1.00) RED
1-1437709-7 (1.50mm ²) GOLD PLATED	1-1437713-3 (1.50) BLUE
1-1437709-4 (0.22-0.35mm ²) TIN PLATED	
1-1437709-5 (0.50-1.00mm ²) TIN PLATED	
1-1437709-6 (1.50mm ²) TIN PLATED	
0-1437709-9 (0.22-0.35mm ²) GOLD PLATED	
1-1437709-0 (0.50-1.00mm ²) GOLD PLATED	
1-1437709-7 (1.50mm ²) GOLD PLATED	
1-1437709-4 (0.22-0.35mm ²) TIN PLATED	
1-1437709-5 (0.50-1.00mm ²) TIN PLATED	
1-1437709-6 (1.50mm ²) TIN PLATED	

MATING PARTS		
TE PART No.	DESCRIPTION	
-	2 WAY FEMALE CONNECTOR WATERPROOF	
-	2 WAY FEMALE CONNECTOR NON WATERPROOF	

Данный компонент на территории Российской Федерации

Вы можете приобрести в компании MosChip.

Для оперативного оформления запроса Вам необходимо перейти по данной ссылке:

<http://moschip.ru/get-element>

Вы можете разместить у нас заказ для любого Вашего проекта, будь то серийное производство или разработка единичного прибора.

В нашем ассортименте представлены ведущие мировые производители активных и пассивных электронных компонентов.

Нашей специализацией является поставка электронной компонентной базы двойного назначения, продукции таких производителей как XILINX, Intel (ex.ALTERA), Vicor, Microchip, Texas Instruments, Analog Devices, Mini-Circuits, Amphenol, Glenair.

Сотрудничество с глобальными дистрибьюторами электронных компонентов, предоставляет возможность заказывать и получать с международных складов практически любой перечень компонентов в оптимальные для Вас сроки.

На всех этапах разработки и производства наши партнеры могут получить квалифицированную поддержку опытных инженеров.

Система менеджмента качества компании отвечает требованиям в соответствии с ГОСТ Р ИСО 9001, ГОСТ РВ 0015-002 и ЭС РД 009

Офис по работе с юридическими лицами:

105318, г.Москва, ул.Щербаковская д.3, офис 1107, 1118, ДЦ «Щербаковский»

Телефон: +7 495 668-12-70 (многоканальный)

Факс: +7 495 668-12-70 (доб.304)

E-mail: info@moschip.ru

Skype отдела продаж:

moschip.ru

moschip.ru_4

moschip.ru_6

moschip.ru_9