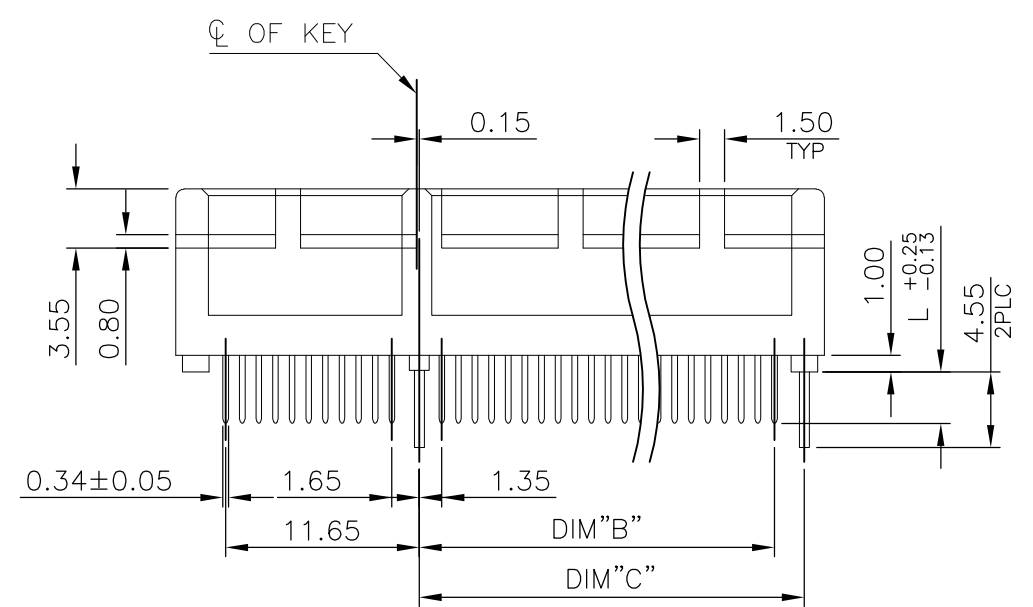


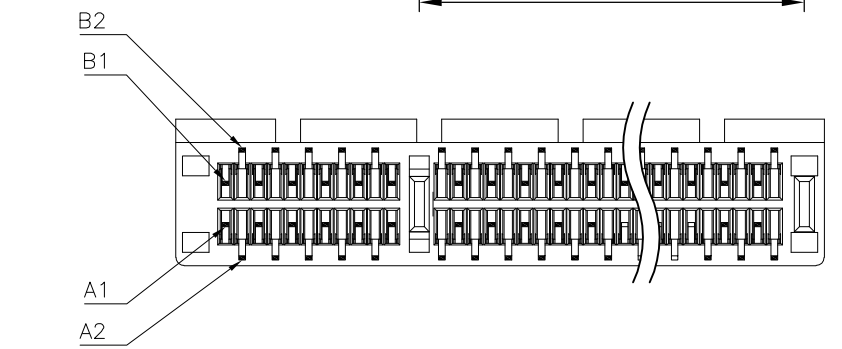
THIS DRAWING IS UNPUBLISHED. RELEASED FOR PUBLICATION
 © COPYRIGHT - By - ALL RIGHTS RESERVED.

| REVISIONS | | | | | |
|-----------|-----|---------------|-----------|-----|------|
| P | LTR | DESCRIPTION | DATE | DWN | APVD |
| D | | ECR-16-014363 | 11OCT2016 | FL | SY |

- NOTE:
- MATERIAL:
 HOUSING (SEE TABLE): PA46 OR PA9T, UL94 V-0, COLOR: BLACK.
 CONTACTS: PHOSPHOR BRONZE.
 BOARDLOCK: BRASS.
 - FINISH:
 2.1 CONTACTS: (SEE TABLE) GOLD PLATED ON CONTACT AREA, 2.54um [100u"] MIN. MATTE-TIN ON SOLDER TAIL, WITH ENTIRE CONTACT UNDERPLATED 1.27um [50u"] MIN. NICKEL.
 2.2 BOARDLOCK: 2.54um [100u"] MATTE-TIN PLATING ALL OVER NICKEL 1.27um[50u"] MIN. UNDERPLATED OVERALL.
 - WAVE SOLDER CAPABLE TO 265°C MAX. PER TE SPEC. 109-202, CONDITION B.
 - WEIGHT:
 36 POS.: 2.55 GRAMS
 64 POS.: 3.90 GRAMS
 98 POS.: 5.50 GRAMS
 164 POS.: 8.80 GRAMS
 - REFLOW SOLDER CAPABLE TO 260°C PER TE SPEC. TEC-109-201, CONDITION B.



| PACKAGING | SOLDER CAPACITY | HOUSING MATERIAL | DIM L | GOLD PLATING | DIM E | DIM D | DIM C | DIM B | DIM A | POS. | PART NUMBER | |
|-----------|--------------------|------------------|--------------------|--------------------|-------|-------|-------|-------|-------|------|-------------|----|
| HARD TRAY | NOTE 3 & 5 | PA9T | 2.30 | 0.381µm[15µ"] MIN. | 71.65 | 70.0 | 73.15 | 71.35 | 89.0 | 164 | 6- | -2 |
| | | | | 0.762µm[30µ"] MIN. | | | | | | | 4- | -6 |
| | | | 3.10 | 0.381µm[15µ"] MIN. | 71.65 | 70.0 | 73.15 | 71.35 | 89.0 | 164 | 4- | -5 |
| | | | | GOLD FLASH | | | | | | | 4- | -4 |
| | | | 2.30 | 0.762µm[30µ"] MIN. | 38.65 | 37.0 | 40.15 | 38.35 | 56.0 | 98 | 4- | -3 |
| | | | | 0.381µm[15µ"] MIN. | | | | | | | 4- | -2 |
| | | 3.10 | GOLD FLASH | 38.65 | 37.0 | 40.15 | 38.35 | 56.0 | 98 | 4- | -1 | |
| | | | 0.762µm[30µ"] MIN. | | | | | | | 3- | -6 | |
| | | 2.30 | 0.381µm[15µ"] MIN. | 38.65 | 37.0 | 40.15 | 38.35 | 56.0 | 98 | 3- | -5 | |
| | | | GOLD FLASH | | | | | | | 3- | -4 | |
| | | 3.10 | 0.762µm[30µ"] MIN. | 21.65 | 20.0 | 23.15 | 21.35 | 39.0 | 64 | 3- | -3 | |
| | | | 0.381µm[15µ"] MIN. | | | | | | | 2- | -5 | |
| 2.30 | GOLD FLASH | 21.65 | 20.0 | 23.15 | 21.35 | 39.0 | 64 | 2- | -4 | | | |
| | 0.762µm[30µ"] MIN. | | | | | | | 2- | -3 | | | |
| 3.10 | 0.381µm[15µ"] MIN. | 21.65 | 20.0 | 23.15 | 21.35 | 39.0 | 64 | 2- | -2 | | | |
| | GOLD FLASH | | | | | | | 2- | -1 | | | |
| 2.30 | 0.762µm[30µ"] MIN. | 7.65 | 6.0 | 9.15 | 7.35 | 25.0 | 36 | 1- | -6 | | | |
| | 0.381µm[15µ"] MIN. | | | | | | | 1- | -5 | | | |
| 3.10 | GOLD FLASH | 7.65 | 6.0 | 9.15 | 7.35 | 25.0 | 36 | 1- | -4 | | | |
| | 0.762µm[30µ"] MIN. | | | | | | | 1- | -3 | | | |
| 2.30 | 0.381µm[15µ"] MIN. | 7.65 | 6.0 | 9.15 | 7.35 | 25.0 | 36 | 1- | -2 | | | |
| | GOLD FLASH | | | | | | | 1- | -2 | | | |
| | | | | | | | | | | | 1-1775801-1 | |



THIS DRAWING IS A CONTROLLED DOCUMENT.

DWN B. HSING 21MAY2009
 CHK S. CHIEN 21MAY2009
 APVD W. KODAMA 21MAY2009

TE Connectivity

PCI EXPRESS CARD EDGE CONNECTOR
 VERTICAL, DIP TYPE,(BOARD-LOCK FUNCTION)

108-57375

SIZE A3 CAGE CODE 00779 DRAWING NO C-1775801 RESTRICTED TO -

SCALE 1:1 SHEET 1 OF 4 REV D

CUSTOMER DRAWING

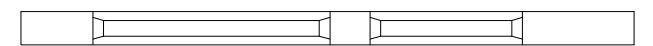
THIS DRAWING IS UNPUBLISHED. RELEASED FOR PUBLICATION
 © COPYRIGHT - By - ALL RIGHTS RESERVED.

| REVISIONS | | | | | |
|-----------|-----|-------------|------|-----|------|
| P | LTR | DESCRIPTION | DATE | DWN | APVD |
| - | - | SEE SHEET 1 | - | - | - |

1. NO TIE BAR PERMITTED FROM CARD EDGE TO LEADING EDGE OF PAD FOR PINS A1 AND "K"
2. CHAMFER EDGE MUST BE FREE OF CUTTING BURRS



I/O PANEL DIRECTION
 PRIMARY (COMPONENT) SIDE



SECONDARY (SOLDER) SIDE



RECOMMENDED PCB LAYOUT

TOLERANCE: ±0.05
 DIM.L=3.1mm THICKNESS: 2.4mm
 DIM.L=2.3mm THICKNESS: 1.6mm

| POS. | N | DIM. F | DIM. G | DIM. H | "K" |
|------|----|--------|--------|--------|-----------------|
| 36 | 6 | 8.15 | 9.15 | 7.35 | B17 |
| 64 | 20 | 22.15 | 23.15 | 21.35 | B17,B31 |
| 98 | 37 | 39.15 | 40.15 | 38.35 | B17,B31,B48 |
| 164 | 70 | 72.15 | 73.15 | 71.35 | B17,B31,B48,B81 |

| | | | | | | | | | | | | | | | | | |
|--|--------|--------------------------------|-----------------|-----------|------------------------------|---------------|-------|-------|--------|-------|-----|--------|------|--------------|---|--|--|
| THIS DRAWING IS A CONTROLLED DOCUMENT. | | DWN B. HSING 21MAY2009 | TE Connectivity | | | | | | | | | | | | | | |
| DIMENSIONS: mm | | CHK S. CHIEN 21MAY2009 | | | | | | | | | | | | | | | |
| TOLERANCES UNLESS OTHERWISE SPECIFIED: | | APVD W. KODAMA 21MAY2009 | NAME | | | | | | | | | | | | | | |
| <table border="0"> <tr><td>0 PLC</td><td>± -</td></tr> <tr><td>1 PLC</td><td>± 0.3</td></tr> <tr><td>2 PLC</td><td>± 0.2</td></tr> <tr><td>3 PLC</td><td>± 0.15</td></tr> <tr><td>4 PLC</td><td>± -</td></tr> <tr><td>ANGLES</td><td>± 3°</td></tr> </table> | | 0 PLC | ± - | 1 PLC | ± 0.3 | 2 PLC | ± 0.2 | 3 PLC | ± 0.15 | 4 PLC | ± - | ANGLES | ± 3° | PRODUCT SPEC | PCI EXPRESS CARD EDGE CONNECTOR VERTICAL, DIP TYPE,(BOARD-LOCK FUNCTION) | | |
| 0 PLC | ± - | | | | | | | | | | | | | | | | |
| 1 PLC | ± 0.3 | | | | | | | | | | | | | | | | |
| 2 PLC | ± 0.2 | | | | | | | | | | | | | | | | |
| 3 PLC | ± 0.15 | | | | | | | | | | | | | | | | |
| 4 PLC | ± - | | | | | | | | | | | | | | | | |
| ANGLES | ± 3° | | | | | | | | | | | | | | | | |
| MATERIAL | | APPLICATION SPEC | SIZE | CAGE CODE | DRAWING NO | RESTRICTED TO | | | | | | | | | | | |
| - | | FINISH | - | - | A300779 | C-1775801 | | | | | | | | | | | |
| CUSTOMER DRAWING | | | WEIGHT | 0 | SCALE 1:1 SHEET 2 OF 4 REV D | | | | | | | | | | | | |

THIS DRAWING IS UNPUBLISHED.

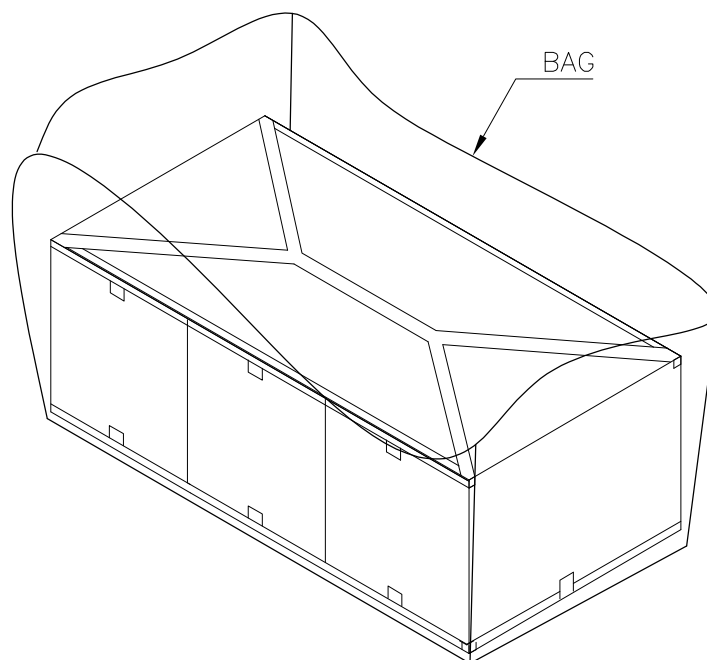
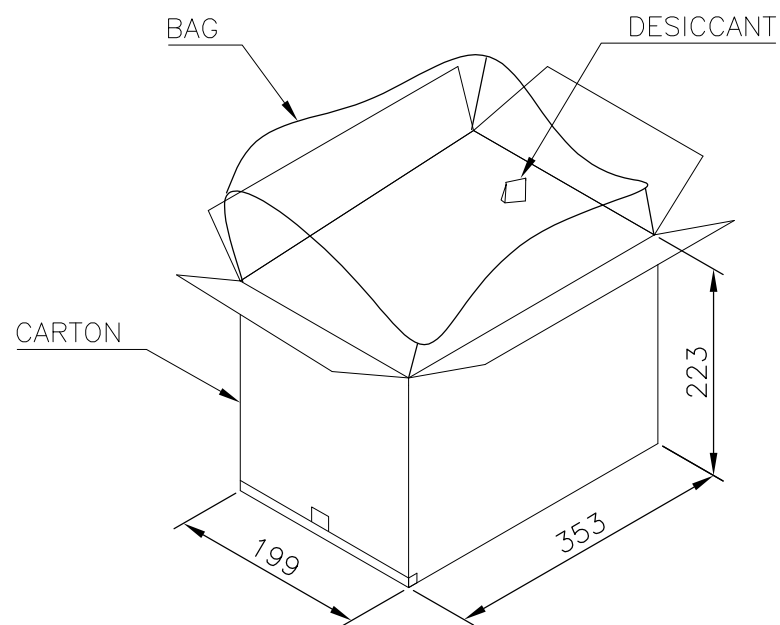
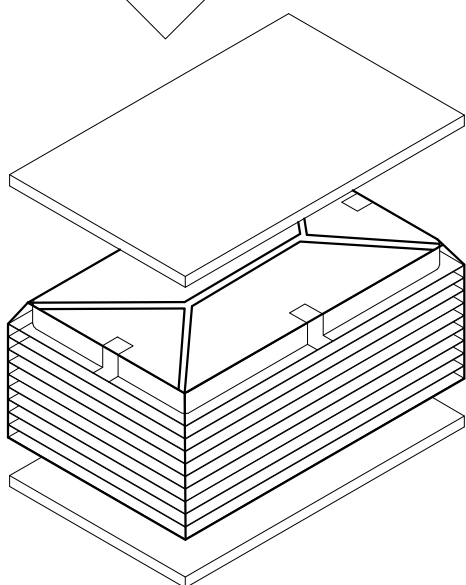
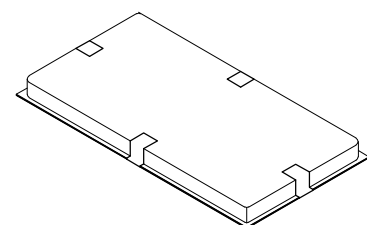
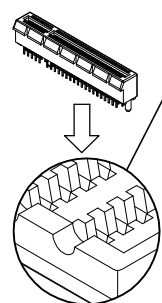
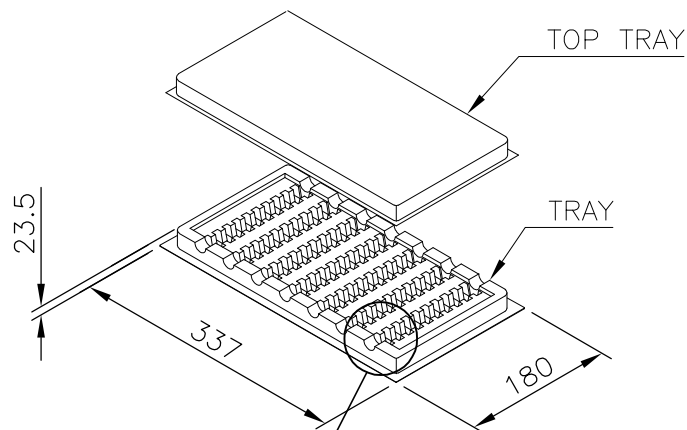
RELEASED FOR PUBLICATION

ALL RIGHTS RESERVED.

© COPYRIGHT - By -

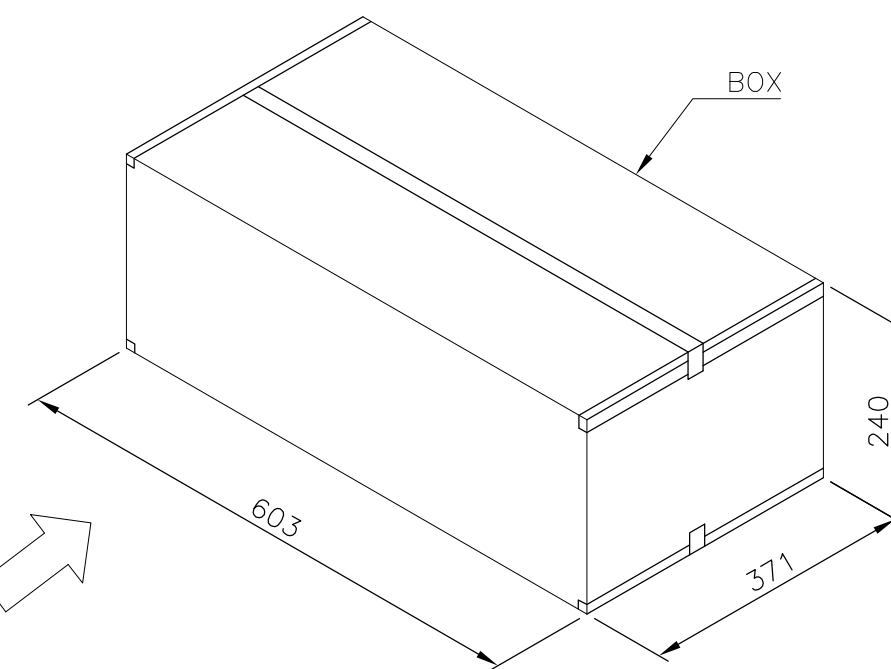
REVISIONS

| P | LTR | DESCRIPTION | DATE | DWN | APVD |
|---|-----|-------------|------|-----|------|
| - | - | SEE SHEET 1 | - | - | - |



NOTES :

- MATERIAL :
TRAY : PVC, COLOR: TRANSPARENT.
CARTON: CORRUGATED FIBER
BOX: CORRUGATED FIBER
- DIMENSION :
TRAY: SEE DRAWING
CARTON: SEE DRAWING
BOX : SEE DRAWING
- QUANTITY : SEE TABLE
- WEIGHT : SEE TABLE



| | | | | | | |
|--------------|------------|-----------|--------------|-------------|----------|-----|
| 9.6 KG | 7.6 KG | 30 | 10 | 3 | 900 | 164 |
| 8.5 KG | 6.5 KG | 40 | 10 | 3 | 1200 | 98 |
| 9.1 KG | 7.1 KG | 60 | 10 | 3 | 1800 | 64 |
| 7.7 KG | 5.7 KG | 70 | 10 | 3 | 2100 | 36 |
| GROSS WEIGHT | NET WEIGHT | PCS/ TRAY | TRAY/ CARTON | CARTON/ BOX | PCS/ BOX | POS |

THIS DRAWING IS A CONTROLLED DOCUMENT.

| DIMENSIONS: | TOLERANCES UNLESS OTHERWISE SPECIFIED: |
|-------------|--|
| mm | |
| | 0 PLC ± - |
| | 1 PLC ± - |
| | 2 PLC ± - |
| | 3 PLC ± - |
| | 4 PLC ± - |
| | ANGLES ± - |

| MATERIAL | FINISH |
|----------|--------|
| - | - |

DWN B. HSING 21MAY2009

CHK S. CHIEN 21MAY2009

APVD W. KODAMA 21MAY2009

PRODUCT SPEC

APPLICATION SPEC

WEIGHT 0

CUSTOMER DRAWING



NAME PCI EXPRESS CARD EDGE CONNECTOR VERTICAL, DIP TYPE,(BOARD-LOCK FUNCTION)

| SIZE | CAGE CODE | DRAWING NO | RESTRICTED TO |
|------|-----------|------------|---------------|
| A3 | 00779 | C-1775801 | - |

| SCALE | SHEET | REV |
|-------|--------|-----|
| 1:1 | 3 OF 4 | D |

THIS DRAWING IS UNPUBLISHED.

RELEASED FOR PUBLICATION

ALL RIGHTS RESERVED.

© COPYRIGHT - By -

REVISIONS

| P | LTR | DESCRIPTION | DATE | DWN | APVD |
|---|-----|-------------|------|-----|------|
| - | - | SEE SHEET 1 | - | - | - |

NOTES :

PACKING MATERIAL MET TE SPEC TEC-138-702.

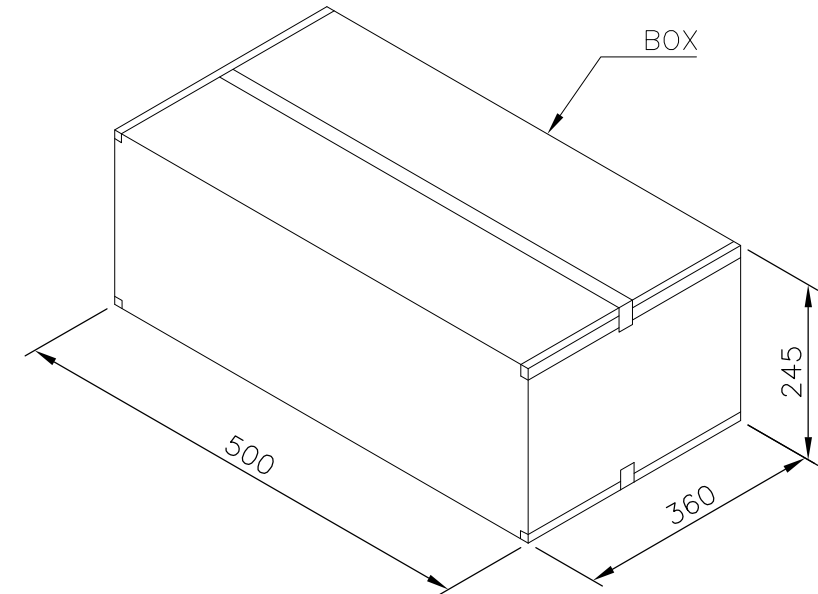
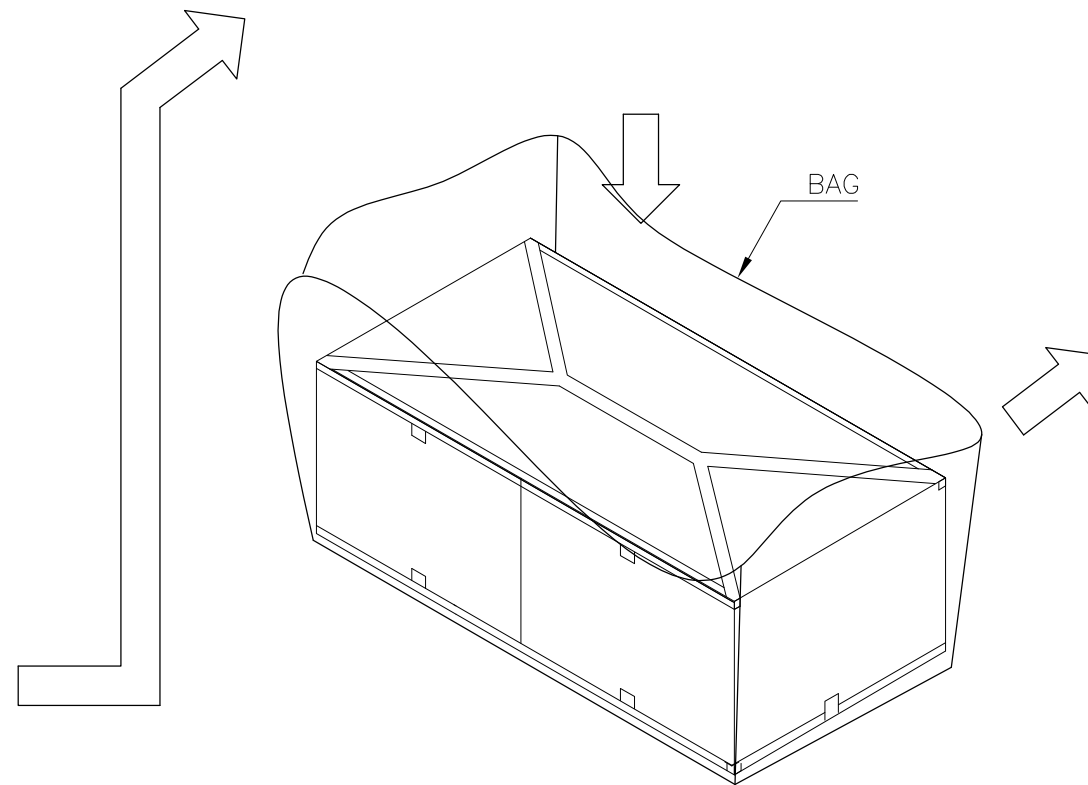
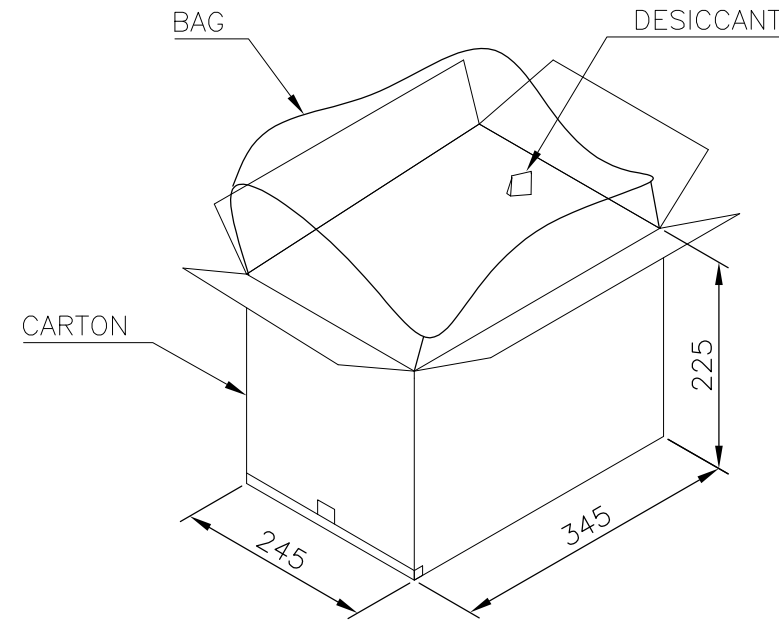
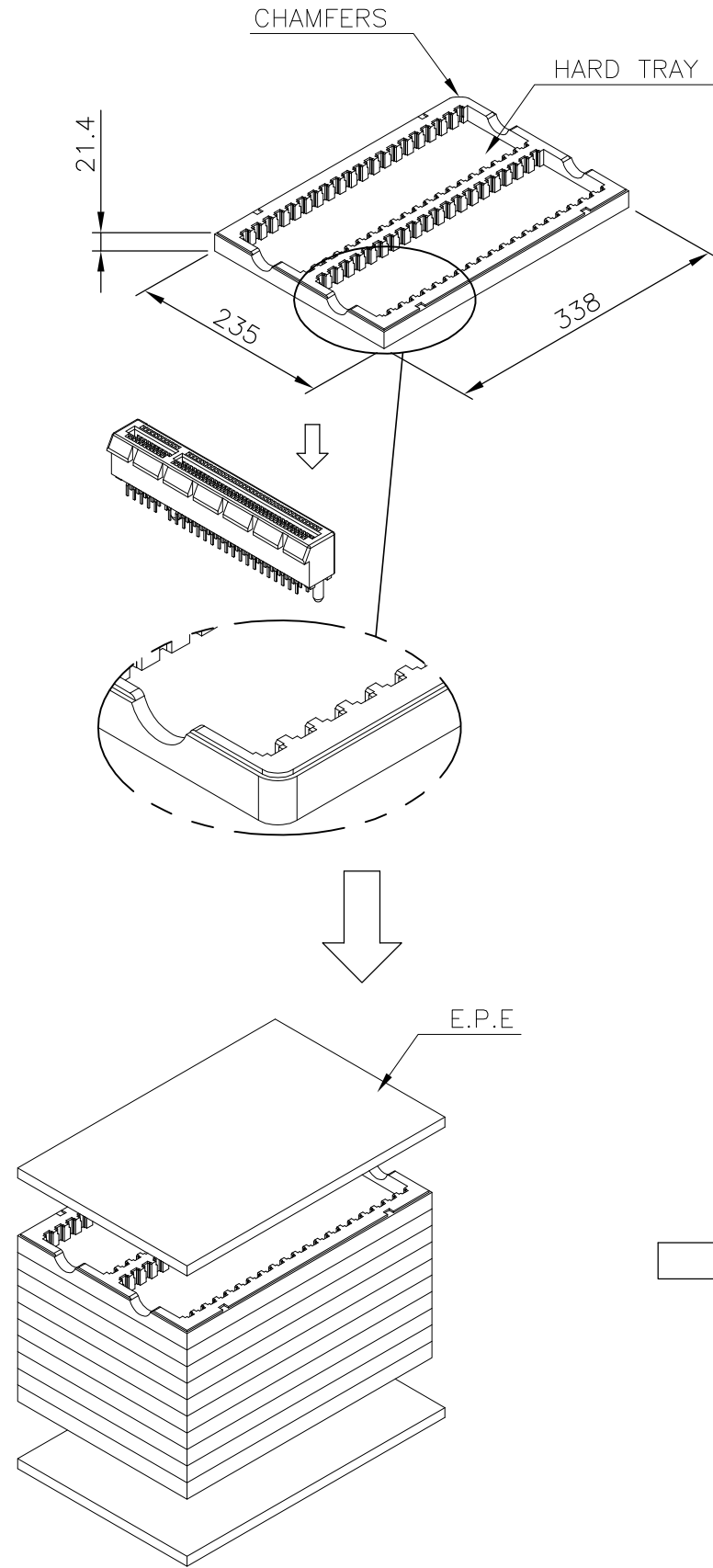
- * CADMIUM AND CADMIUM COMPOUNDS CONTENT: 5 PPM UNDER (PLASTIC, RUBBER, INK, PIGMENT, PAINT)
- * LEAD, CADMIUM, CHROM VI AND MERCURY IN PACKAGING MATERIALS CONTENT: 100 PPM (COMBINED) UNDER.

1. MATERIAL :

TRAY: HIPS, COLOR: BLACK.
 CARTON: CORRUGATED FIBER
 BOX: CORRUGATED FIBER
 TRANSPARENT BAG: PE, SIZE: 500mm*380mm*0.06mm
 640mm*510mm*0.06mm

2. EACH BAG SHALL BE INCLUDED:

- * DESICCANT



| | | | | | | |
|--------------|------------|-----------|--------------|-------------|----------|-----|
| 11.5 Kg | 7.0 Kg | 40 | 10 | 2 | 800 | 164 |
| GROSS WEIGHT | NET WEIGHT | PCS/ TRAY | TRAY/ CARTON | CARTON/ BOX | PCS/ BOX | POS |

THIS DRAWING IS A CONTROLLED DOCUMENT.

| DIMENSIONS: | | TOLERANCES UNLESS OTHERWISE SPECIFIED: | |
|-------------|-------|--|---|
| mm | | | |
| | 0 PLC | ± | - |
| | 1 PLC | ± | - |
| | 2 PLC | ± | - |
| | 3 PLC | ± | - |
| | 4 PLC | ± | - |
| ANGLES | | ± | - |
| MATERIAL | | FINISH | |
| - | | - | |

| | | |
|------------------|-----------|-----------|
| DWN | B. HSING | 21MAY2009 |
| CHK | S. CHIEN | 21MAY2009 |
| APVD | W. KODAMA | 21MAY2009 |
| PRODUCT SPEC | - | |
| APPLICATION SPEC | - | |
| WEIGHT | 0 | |
| CUSTOMER DRAWING | | |

| | | | | | | |
|-----------|-----------|------------|---------------|--|-------|--|
| | | | | TE Connectivity | | |
| | | | | NAME: PCI EXPRESS CARD EDGE CONNECTOR VERTICAL, DIP TYPE,(BOARD-LOCK FUNCTION) | | |
| SIZE | CAGE CODE | DRAWING NO | RESTRICTED TO | | | |
| A3 | 00779 | C-1775801 | - | | | |
| SCALE 1:1 | | | SHEET 4 OF 4 | | REV D | |

Данный компонент на территории Российской Федерации

Вы можете приобрести в компании MosChip.

Для оперативного оформления запроса Вам необходимо перейти по данной ссылке:

<http://moschip.ru/get-element>

Вы можете разместить у нас заказ для любого Вашего проекта, будь то серийное производство или разработка единичного прибора.

В нашем ассортименте представлены ведущие мировые производители активных и пассивных электронных компонентов.

Нашей специализацией является поставка электронной компонентной базы двойного назначения, продукции таких производителей как XILINX, Intel (ex.ALTERA), Vicor, Microchip, Texas Instruments, Analog Devices, Mini-Circuits, Amphenol, Glenair.

Сотрудничество с глобальными дистрибьюторами электронных компонентов, предоставляет возможность заказывать и получать с международных складов практически любой перечень компонентов в оптимальные для Вас сроки.

На всех этапах разработки и производства наши партнеры могут получить квалифицированную поддержку опытных инженеров.

Система менеджмента качества компании отвечает требованиям в соответствии с ГОСТ Р ИСО 9001, ГОСТ РВ 0015-002 и ЭС РД 009

Офис по работе с юридическими лицами:

105318, г.Москва, ул.Щербаковская д.3, офис 1107, 1118, ДЦ «Щербаковский»

Телефон: +7 495 668-12-70 (многоканальный)

Факс: +7 495 668-12-70 (доб.304)

E-mail: info@moschip.ru

Skype отдела продаж:

moschip.ru

moschip.ru_4

moschip.ru_6

moschip.ru_9