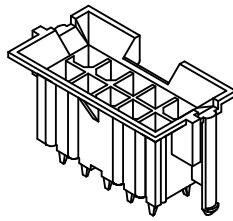
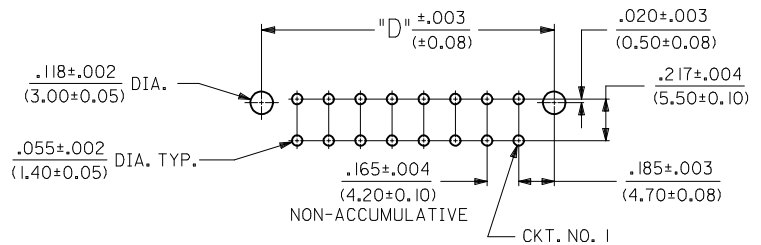
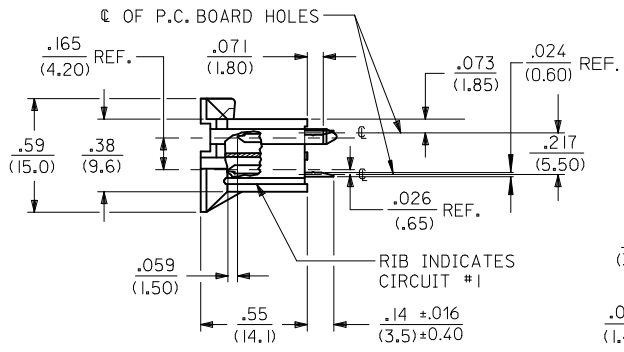
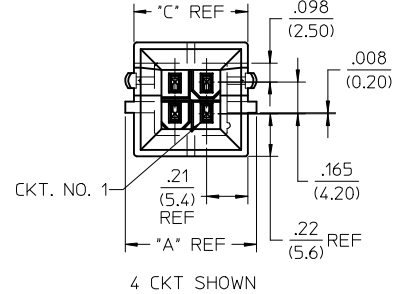


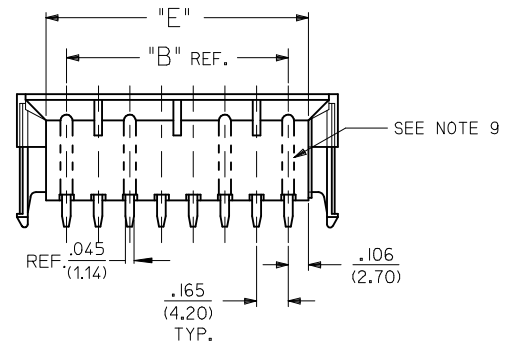
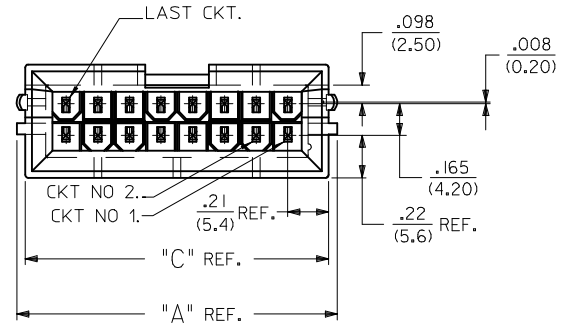
| CIRCUIT SIZE | DIM. "A"         | DIM. "B"       | DIM. "C"         | DIM. "D"         | DIM. "E"       |
|--------------|------------------|----------------|------------------|------------------|----------------|
| 2            | .520<br>(13.20)  | —              | .425<br>(10.80)  | .370<br>(9.40)   | .21<br>(5.4)   |
| 4            | .685<br>(17.40)  | .17<br>(4.2)   | .590<br>(15.00)  | .535<br>(13.60)  | .38<br>(9.6)   |
| 6            | .850<br>(21.60)  | .33<br>(8.4)   | .756<br>(19.20)  | .701<br>(17.80)  | .54<br>(13.8)  |
| 8            | 1.016<br>(25.80) | .50<br>(12.6)  | .921<br>(23.40)  | .866<br>(22.00)  | .71<br>(18.0)  |
| 10           | 1.181<br>(30.00) | .66<br>(16.8)  | 1.087<br>(27.60) | 1.031<br>(26.20) | .87<br>(22.2)  |
| 12           | 1.346<br>(34.20) | .83<br>(21.0)  | 1.252<br>(31.80) | 1.197<br>(30.40) | 1.04<br>(26.4) |
| 14           | 1.512<br>(38.40) | .99<br>(25.2)  | 1.417<br>(36.00) | 1.362<br>(34.60) | 1.20<br>(30.6) |
| 16           | 1.677<br>(42.60) | 1.16<br>(29.4) | 1.583<br>(40.20) | 1.528<br>(38.80) | 1.37<br>(34.8) |
| 18           | 1.843<br>(46.80) | 1.32<br>(33.6) | 1.748<br>(44.40) | 1.693<br>(43.00) | 1.54<br>(39.0) |
| 20           | 2.008<br>(51.00) | 1.49<br>(37.8) | 1.913<br>(48.60) | 1.858<br>(47.20) | 1.70<br>(43.2) |
| 22           | 2.173<br>(55.20) | 1.65<br>(42.0) | 2.079<br>(52.80) | 2.024<br>(51.40) | 1.87<br>(47.4) |
| 24           | 2.339<br>(59.40) | 1.82<br>(46.2) | 2.244<br>(57.00) | 2.189<br>(55.60) | 2.03<br>(51.6) |



- NOTES:
- MATERIAL:  
HOUSING MATERIAL:  
A=NYLON 6/6, UNFILLED UL94 V-2, COLOR: NATURAL  
B=NYLON 6/6, UNFILLED UL94 V-0, COLOR: NATURAL  
TERMINALS: BRASS
  - TERMINAL PLATING:  
A=.000100/(0.00254) MIN. MATTE TIN OVER .000050/(0.00127) MIN. NICKEL  
D=.000100/(0.00254) MIN. BRIGHT TIN OVER .000050/(0.00127) MIN. NICKEL  
E=.000030/(0.00076) MIN. SELECT GOLD AND .000100/(0.00254) MIN. SELECT MATTE TIN OVER .000050/(0.00127) MIN. NICKEL OVERALL
  - PRODUCT SPECIFICATION: PS-5556-002
  - PACKAGING: TRAY PACK PER PK-42440-001
  - PART MATES WITH MINI-FIT RECEPTACLES 5557, 42474,44516 AND BMI HEADER 42385.
  - PART ALLOWS FOR UP TO .100/(2.54) MISALIGNMENT WITH MATING RECEPTACLE IN ANY DIRECTION. SEE MATING CONNECTOR DRAWINGS FOR SPECIFIC ALLOWANCES.
  - THIS PART IS NOT DESIGNED FOR CURRENT SHARING.
  - CONNECTOR ASSEMBLIES ARE NOT TO BE MATED OR UNMATED WHILE CIRCUITS ARE LIVE.
  - RIB LOCATION IS DETERMINED BY MOLD DESIGN FOR MANUFACTURING EASE AND THE LOCATION DOES NOT AFFECT PART FUNCTION OR PERFORMANCE. LOCATION OF RIBS MAY VARY ON PARTS WITHIN MANUFACTURING LOT OR SHIPMENT. THIS DRAWING SHOWS TYPICAL RIB LOCATIONS.
  - PART CONFORMS TO CLASS "B" REQUIREMENTS OF COSMETIC SPECIFICATION PS-45499-002.



RECOMMENDED HOLE LAYOUT FOR .070/(1.78) MAX. THICK P.C. BOARD



|   |   |                                      |                                       |      |                          |                    |   |                                |                        |
|---|---|--------------------------------------|---------------------------------------|------|--------------------------|--------------------|---|--------------------------------|------------------------|
| ADD 43459-0055<br>EC NO: UCP2015-1722<br>DRWN: DFOX<br>CHKD: JBEL<br>APPR: FSMITH | DESCRIPTION<br>2014/10/23<br>2014/10/23<br>2014/10/27 | QUALITY SYMBOLS<br>▽=0<br>▽=0<br>▽=0 | GENERAL TOLERANCES (UNLESS SPECIFIED) |      | DIMENSION STYLE<br>IN/MM |                    | SCALE<br>2:1  | DESIGN UNITS<br>METRIC         | THIRD ANGLE PROJECTION |
|   |   |                                      | mm                                    | INCH | DRAWN BY<br>AFG          | DATE<br>1994/12/07 | TITLE<br>2-24 CKT. VERT. HEADER<br>MINI-FIT B.M.I.<br>MAKE FIRST/BREAK LAST   | DOCUMENT NO.<br>SDA-43459-**** | SHEET NO.<br>1 OF 3    |
| REV F13   |   |                                      | ANGULAR ±1/2°                         |      | SEE CHART                |                    | THIS DRAWING CONTAINS INFORMATION THAT IS PROPRIETARY TO MOLEX INCORPORATED AND SHOULD NOT BE USED WITHOUT WRITTEN PERMISSION |                                |                        |

|          |                            | 13   |    | 12 |    | 11 |    | 10 |    | 9  |    | 8  |    | 7  |    | 6  |    | 5  |    | 4  |    | 3  |    | 2  |    | 1                             |                    |              |     |       |
|----------|----------------------------|--|----|----|----|----|----|----|----|----|----|----|----|----|----|----|----|----|----|----|----|----|----|----|----|-------------------------------|--------------------|--------------|-----|-------|
| ITEM NO. | CHARACTERISTIC DESCRIPTION | TERMINAL VERSION REQUIRED AT EACH CIRCUIT LOCATION: (SEE CODES AT RIGHT) |    |    |    |    |    |    |    |    |    |    |    |    |    |    |    |    |    |    |    |    |    |    |    | TERM. CODES FOR CHART AT LEFT |                    |              |     |       |
|          |                            | 1  | 2  | 3  | 4  | 5  | 6  | 7  | 8  | 9  | 10 | 11 | 12 | 13 | 14 | 15 | 16 | 17 | 18 | 19 | 20 | 21 | 22 | 23 | 24 | TERMINAL NO.                  | PLATING / MATERIAL |              |     |       |
| J        | 43459-0001                 | 04AAA  | 1  | 1  | 8  | 8  | -  | -  | -  | -  | -  | -  | -  | -  | -  | -  | -  | -  | -  | -  | -  | -  | -  | -  | -  | -                             | -                  | I=MAKE-FIRST | A   | BRASS |
|          | 43459-0002                 | 04BAA  | 1  | 1  | 8  | 8  | -  | -  | -  | -  | -  | -  | -  | -  | -  | -  | -  | -  | -  | -  | -  | -  | -  | -  | -  | -                             | -                  | ----         | --- | ----  |
|          | 43459-0003                 | 04AAA  | 1  | 1  | 8  | 8  | -  | -  | -  | -  | -  | -  | -  | -  | -  | -  | -  | -  | -  | -  | -  | -  | -  | -  | -  | -                             | -                  | 3=MAKE-FIRST | E   | BRASS |
|          | 43459-0004                 | 04BAA  | 1  | 1  | 8  | 8  | -  | -  | -  | -  | -  | -  | -  | -  | -  | -  | -  | -  | -  | -  | -  | -  | -  | -  | -  | -                             | -                  | ----         | --- | ----  |
| I        | 43459-0005                 | 10AAD  | 5  | 5  | 5  | 5  | 5  |    | 5  | 5  | 5  | 5  | -  | -  | -  | -  | -  | -  | -  | -  | -  | -  | -  | -  | -  | -                             | -                  | 5=MAKE-FIRST | D   | BRASS |
|          | 43459-0006                 | 10BAD  | 5  | 5  | 5  | 5  | 5  | 5  | 5  | 5  | 5  | 5  | -  | -  | -  | -  | -  | -  | -  | -  | -  | -  | -  | -  | -  | -                             | -                  | ----         | --- | ----  |
|          | 43459-0007                 | 10AAE  | 3  | 3  | 3  | 3  | 3  | 3  | 3  | 3  | 3  | 3  | -  | -  | -  | -  | -  | -  | -  | -  | -  | -  | -  | -  | -  | -                             | -                  | ----         | --- | ----  |
|          | 43459-0008                 | 10BAE  | 3  | 3  | 3  | 3  | 3  | 3  | 3  | 3  | 3  | 3  | -  | -  | -  | -  | -  | -  | -  | -  | -  | -  | -  | -  | -  | -                             | -                  | 8=STANDARD   | A   | BRASS |
| H        | 43459-0009                 | 18AAD  | 9  | 9  | 9  | 9  | 5  | 5  | 9  | 9  | 9  | 9  | 9  | 9  | 9  | 9  | 5  | 5  | 9  | 9  | 9  | -  | -  | -  | -  | -                             | -                  | 9=STANDARD   | D   | BRASS |
|          | 43459-0011                 | 24AAD  | 5  | 5  | 5  | 5  | 5  | 5  | 5  | 5  | 5  | 5  | 5  | 5  | 5  | 5  | 5  | 5  | 5  | 5  | 5  | 5  | 5  | 5  | 5  | 5                             | 5                  | 10=STANDARD  | E   | BRASS |
|          | 43459-0012                 | 24BAD  | 5  | 5  | 5  | 5  | 5  | 5  | 5  | 5  | 5  | 5  | 5  | 5  | 5  | 5  | 5  | 5  | 5  | 5  | 5  | 5  | 5  | 5  | 5  | 5                             | 5                  |              |     |       |
|          | 43459-0013                 | 24BAD  | 9  | 9  | 9  | 9  | 9  | 9  | 9  | 9  | 9  | 9  | 9  | 9  | 9  | 9  | 5  | 9  | 9  | 9  | 9  | 9  | 9  | 9  | 9  | 9                             | 9                  |              |     |       |
| G        | 43459-0014                 | 18BAD  | 5  | 5  | 5  | 5  | 5  | 5  | 5  | 5  | 5  | 5  | 5  | 5  | 5  | 5  | 5  | 5  | 5  | 5  | -  | -  | -  | -  | -  | -                             | -                  |              |     |       |
|          | 43459-0015                 | 18BAE  | 3  | 3  | 3  | 3  | 3  | 3  | 3  | 3  | 3  | 3  | 3  | 3  | 3  | 3  | 3  | 3  | 3  | 3  | -  | -  | -  | -  | -  | -                             | -                  |              |     |       |
|          | 43459-0016                 | 14BAD  | 5  | 5  | 5  | 5  | 5  | 5  | 5  | 5  | 5  | 5  | 5  | 5  | 5  | 5  | -  | -  | -  | -  | -  | -  | -  | -  | -  | -                             | -                  |              |     |       |
|          | 43459-0017                 | 18BAD  | 9  | 9  | 9  | 9  | 5  | 5  | 9  | 9  | 9  | 9  | 9  | 9  | 9  | 9  | 5  | 5  | 9  | 9  | 9  | -  | -  | -  | -  | -                             | -                  |              |     |       |
|          | 43459-0018                 | 10AAA  | 8  | 8  | 8  | 8  | 8  | 8  | 8  | 8  | 1  | 1  | 1  | -  | -  | -  | -  | -  | -  | -  | -  | -  | -  | -  | -  | -                             | -                  |              |     |       |
| F        | 43459-0019                 | 10BAE  | 3  | 3  | 3  | 10 | 10 | 3  | 3  | 3  | 3  | 3  | -  | -  | -  | -  | -  | -  | -  | -  | -  | -  | -  | -  | -  | -                             | -                  |              |     |       |
|          | 43459-0020                 | 18AAE  | 10 | -  | 10 | 10 | 10 | 10 | 10 | 10 | 10 | 3  | 3  | 10 | 10 | 10 | 10 | 10 | 10 | -  | -  | -  | -  | -  | -  | -                             | -                  |              |     |       |
|          | 43459-0021                 | 10AAD  | 5  | 9  | 9  | 9  | 9  | 9  | 9  | 9  | 9  | 9  | -  | -  | -  | -  | -  | -  | -  | -  | -  | -  | -  | -  | -  | -                             | -                  |              |     |       |
|          | 43459-0022                 | 10AAD  | 5  | 9  | 9  | 9  | 9  | 5  | 9  | 9  | 9  | 9  | -  | -  | -  | -  | -  | -  | -  | -  | -  | -  | -  | -  | -  | -                             | -                  |              |     |       |
| E        | 43459-0023                 | 14AAD  | 5  | 9  | 9  | 9  | 9  | 9  | 9  | 9  | 9  | 9  | 9  | 9  | 9  | 9  | -  | -  | -  | -  | -  | -  | -  | -  | -  | -                             | -                  |              |     |       |
|          | 43459-0024                 | 14AAD  | 5  | 9  | 9  | 9  | 9  | 9  | 9  | 9  | 5  | 9  | 9  | 9  | 9  | 9  | -  | -  | -  | -  | -  | -  | -  | -  | -  | -                             | -                  |              |     |       |
|          | 43459-0025                 | 18BAE  | 10 | 10 | 10 | 10 | 10 | 10 | 10 | -  | 10 | 10 | 10 | 10 | 10 | 10 | 10 | 3  | -  | 10 | -  | -  | -  | -  | -  | -                             | -                  |              |     |       |
|          | 43459-0026                 | 10BAE  | 10 | -  | 10 | -  | 10 | 10 | -  | 10 | -  | 10 | -  | -  | -  | -  | -  | -  | -  | -  | -  | -  | -  | -  | -  | -                             | -                  |              |     |       |
| D        | 43459-0027                 | 24BAE  | 10 | 10 | 10 | 10 | 10 | 10 | 10 | 10 | 10 | 10 | -  | 10 | 10 | 10 | 10 | 10 | 10 | 10 | 10 | 10 | 10 | 10 | 10 | 10                            | 10                 |              |     |       |
|          | 43459-0028                 | 24AAE  | 3  | 10 | 10 | 10 | 10 | 10 | 10 | 10 | 10 | 10 | 10 | 10 | 3  | 3  | 10 | 10 | 10 | 10 | 10 | 10 | 10 | 10 | 10 | 10                            | 3                  |              |     |       |
|          | 43459-0029                 | 14BAE  | 10 | 10 | 10 | 10 | 10 | 10 | 10 | 10 | 10 | 10 | 3  | 10 | 10 | 10 | 10 | -  | -  | -  | -  | -  | -  | -  | -  | -                             | -                  |              |     |       |
|          | 43459-0030                 | 04BAE  | 3  | 3  | 3  | 3  | -  | -  | -  | -  | -  | -  | -  | -  | -  | -  | -  | -  | -  | -  | -  | -  | -  | -  | -  | -                             | -                  |              |     |       |
| C        | 43459-0031                 | 18BAE  | 3  | 3  | 3  | 3  | 3  | 3  | 3  | 3  | 3  | 3  | 3  | 3  | 3  | 3  | 3  | 3  | 3  | 3  | -  | -  | -  | -  | -  | -                             | -                  |              |     |       |
|          | 43459-0032                 | 10BAE  | 3  | 10 | 10 | 10 | 10 | 3  | 10 | 10 | 10 | 10 | -  | -  | -  | -  | -  | -  | -  | -  | -  | -  | -  | -  | -  | -                             | -                  |              |     |       |
|          | 43459-0033                 | 14BAE  | 3  | 10 | 10 | 10 | 10 | 10 | 3  | 10 | 10 | 10 | 10 | 10 | 10 | 10 | -  | -  | -  | -  | -  | -  | -  | -  | -  | -                             | -                  |              |     |       |
|          | 43459-0034                 | 14BAE  | 10 | 10 | 10 | 10 | 10 | 10 | 10 | 10 | 10 | 10 | 3  | 10 | 10 | 10 | -  | -  | -  | -  | -  | -  | -  | -  | -  | -                             | -                  |              |     |       |

| TERM. CODES FOR CHART AT LEFT |         |          |
|-------------------------------|---------|----------|
| TERMINAL NO.                  | PLATING | MATERIAL |
| I=MAKE-FIRST                  | A       | BRASS    |
| ----                          | ---     | ----     |
| 3=MAKE-FIRST                  | E       | BRASS    |
| ----                          | ---     | ----     |
| 5=MAKE-FIRST                  | D       | BRASS    |
| ----                          | ---     | ----     |
| ----                          | ---     | ----     |
| 8=STANDARD                    | A       | BRASS    |
| 9=STANDARD                    | D       | BRASS    |
| 10=STANDARD                   | E       | BRASS    |

CHARACTERISTICS LEGEND:

CIRCUIT SIZE: \_\_\_\_\_ \*\* \* \*  
(02-24)

HOUSING MATERIAL AND OPTIONS: \_\_\_\_\_

"A"=NYLON 6/6, U.L. 94V-2, COLOR: NATURAL.  
"B"=NYLON 6/6, U.L. 94V-0, COLOR: NATURAL.

TERMINAL MATERIAL: \_\_\_\_\_

"A"=BRASS

TERMINAL PLATING (SEE NOTE 2): \_\_\_\_\_

"A"=.000100/(0.00254) MIN. MATTE TIN OVER .000050/(0.00127) MIN. NICKEL'  
"D"=.000100/(0.00254) MIN. BRIGHT TIN OVER .000050/(0.00127) MIN. NICKEL  
"E"=.000030/(0.00076) MIN. SELECT GOLD AND .000100/(0.00254) MIN. SELECT MATTE TIN OVER .000050/(0.00127) MIN. NICKEL OVERALL

|   |            |   |                                      |  |                       |                           |                      |   |                        |                        |                   |
|---|------------|---|--------------------------------------|--|-----------------------|---------------------------|----------------------|---|------------------------|------------------------|-------------------|
| SEE SHEET 1<br>EC NO: UCP2015-1722<br>DRWN:JDFX<br>CHKD:JBELL<br>APPR:FSMTH | REV<br>F13 | DESCRIPTION<br>2014/10/23<br>2014/10/23<br>2014/10/27 | QUALITY SYMBOLS<br>▽=0<br>▽=0<br>▽=0 | GENERAL TOLERANCES (UNLESS SPECIFIED)                |                       | DIMENSION STYLE<br>IN/MM  |                      | SCALE<br>1:1  | DESIGN UNITS<br>METRIC | THIRD ANGLE PROJECTION |                   |
|   |            |   |                                      | 4 PLACES ± --- ± ---                                 | 3 PLACES ± --- ± .010 | 2 PLACES ± 0.25 ± .014    | 1 PLACE ± 0.36 ± --- | 0 PLACE ± --- ± ---   | DRAWN BY<br>AFG        | DATE<br>1994/12/07     | CHECKED BY<br>RJF |
|   |            |   |                                      | ANGULAR ±1/2°  |                       | MATERIAL NO.<br>SEE CHART |                      | DOCUMENT NO.<br>SDA-43459-****  |                        | SHEET NO.<br>2 OF 3    |                   |
|   |            |   |                                      | DRAFT WHERE APPLICABLE MUST REMAIN WITHIN DIMENSIONS |                       | SIZE<br>C                 |                      | THIS DRAWING CONTAINS INFORMATION THAT IS PROPRIETARY TO MOLEX INCORPORATED AND SHOULD NOT BE USED WITHOUT WRITTEN PERMISSION |                        |                        |                   |

| ITEM NO.   | CHARACTERISTIC DESCRIPTION | TERMINAL VERSION REQUIRED AT EACH CIRCUIT LOCATION: (SEE CODES AT RIGHT) |    |    |    |    |    |    |    |    |    |    |    |    |    |    |    |    |    |    |    |    |    |    |    |
|------------|----------------------------|--|----|----|----|----|----|----|----|----|----|----|----|----|----|----|----|----|----|----|----|----|----|----|----|
|            |                            | 1  | 2  | 3  | 4  | 5  | 6  | 7  | 8  | 9  | 10 | 11 | 12 | 13 | 14 | 15 | 16 | 17 | 18 | 19 | 20 | 21 | 22 | 23 | 24 |
| 43459-0035 | 10BAD                      | 5  | 9  | 9  | 9  | 9  | 5  | 9  | 9  | 9  | 9  | -  | -  | -  | -  | -  | -  | -  | -  | -  | -  | -  | -  | -  | -  |
| 43459-0036 | 10BAE                      | 10   | 3  | 10 | 10 | 10 | 10 | 3  | 10 | 10 | 10 | -  | -  | -  | -  | -  | -  | -  | -  | -  | -  | -  | -  | -  | -  |
| 43459-0037 | 10BAE                      | 3  | 10 | 10 | 10 | 10 | 10 | 10 | 10 | 10 | 10 | -  | -  | -  | -  | -  | -  | -  | -  | -  | -  | -  | -  | -  | -  |
| 43459-0038 | 24AAD                      | 9  | 9  | 9  | 9  | 9  | 9  | 9  | 9  | 9  | 9  | 5  | 9  | 9  | 9  | 9  | 9  | 9  | 9  | 9  | 9  | 9  | 9  | 9  | 9  |
| 43459-0039 | 14BAE                      | 3  | 10 | 10 | 10 | 10 | 10 | 10 | 3  | 10 | 10 | 10 | 10 | 10 | -  | -  | -  | -  | -  | -  | -  | -  | -  | -  | -  |
| 43459-0040 | 10AAD                      | 9  | 9  | 9  | 9  | 9  | 5  | 5  | 5  | 5  | 5  | -  | -  | -  | -  | -  | -  | -  | -  | -  | -  | -  | -  | -  | -  |
| 43459-0041 | 6AAA                       | 0  | -  | -  | -  | -  | -  | -  | -  | -  | -  | -  | -  | -  | -  | -  | -  | -  | -  | -  | -  | -  | -  | -  | -  |
| 43459-0042 | 18BAE                      | 3  | 3  | 3  | 3  | 3  | 3  | 3  | 3  | 3  | 3  | 3  | 3  | 3  | 3  | 3  | 10 | 10 | -  | -  | -  | -  | -  | -  | -  |
| 43459-0043 | 24AAA                      | 8  | 8  | 8  | 8  | 8  | 8  | 8  | -  | 1  | 1  | -  | 8  | 8  | 8  | 8  | 8  | 8  | 8  | -  | 1  | 1  | -  | 8  | 8  |
| 43459-0044 | 10BAE                      | 10   | 10 | 10 | 3  | 10 | 10 | 10 | 10 | 10 | 10 | -  | -  | -  | -  | -  | -  | -  | -  | -  | -  | -  | -  | -  | -  |
| 43459-0045 | 10BAE                      | 10   | 3  | 3  | 10 | 10 | 3  | 10 | 10 | 10 | 10 | -  | -  | -  | -  | -  | -  | -  | -  | -  | -  | -  | -  | -  | -  |
| 43459-0046 | 10BAE                      | 10   | 10 | 10 | 10 | 10 | 10 | 3  | 3  | 3  | 3  | -  | -  | -  | -  | -  | -  | -  | -  | -  | -  | -  | -  | -  | -  |
| 43459-0047 | 24BAE                      | 3  | 3  | 3  | 3  | 3  | 3  | 3  | 3  | 3  | 3  | 3  | 3  | 3  | 3  | 3  | 3  | 3  | 3  | 3  | 3  | 3  | 3  | 3  | 3  |
| 43459-0048 | 04BAD                      | 9  | 5  | 5  | 9  | -  | -  | -  | -  | -  | -  | -  | -  | -  | -  | -  | -  | -  | -  | -  | -  | -  | -  | -  | -  |
| 43459-0049 | 04BAE                      | 10   | 3  | 3  | 10 | -  | -  | -  | -  | -  | -  | -  | -  | -  | -  | -  | -  | -  | -  | -  | -  | -  | -  | -  | -  |
| 43459-0050 | 18BAE                      | 3  | 3  | 3  | 3  | 3  | 3  | 3  | 3  | 3  | 3  | 10 | 3  | 3  | 3  | 3  | 3  | 3  | -  | -  | -  | -  | -  | -  | -  |
| 43459-0052 | 24BAD                      | 9  | -  | 9  | -  | 9  | -  | 9  | -  | 9  | -  | 9  | -  | 9  | -  | 9  | -  | 9  | -  | 9  | -  | 9  | -  | 9  | -  |
| 43459-0053 | 24BAE                      | 10   | 10 | 10 | 10 | 3  | 3  | 3  | 10 | 10 | 10 | 10 | 10 | 10 | 10 | 10 | 3  | 3  | 3  | 10 | 10 | 10 | 10 | 10 | 10 |
| 43459-0054 | 24BAA                      | 1  | 1  | 1  | 1  | 1  | 1  | 1  | 1  | 1  | 1  | 1  | 1  | 1  | 1  | 1  | 1  | 1  | 1  | 1  | 1  | 1  | 1  | 1  | 1  |
| 43459-0055 | 14BAA                      | 8  | 8  | 8  | 1  | 1  | 8  | 8  | 8  | 8  | 8  | 1  | 8  | 8  | 8  | -  | -  | -  | -  | -  | -  | -  | -  | -  | -  |

| TERM. CODES FOR CHART AT LEFT |           |          |
|-------------------------------|-----------|----------|
| TERMINAL NO.                  | PLATING / | MATERIAL |
| 1=MAKE-FIRST                  | A         | BRASS    |
| ----                          | ---       | ----     |
| 3=MAKE-FIRST                  | E         | BRASS    |
| ----                          | ---       | ----     |
| 5=MAKE-FIRST                  | D         | BRASS    |
| ----                          | ---       | ----     |
| ----                          | ---       | ----     |
| 8=STANDARD                    | A         | BRASS    |
| 9=STANDARD                    | D         | BRASS    |
| 10=STANDARD                   | E         | BRASS    |

CHARACTERISTICS LEGEND:

CIRCUIT SIZE: \_\_\_\_\_ \*\* \*\* \*\*  
(02-24)

HOUSING MATERIAL AND OPTIONS: \_\_\_\_\_

\*A\*=NYLON 6/6, U.L. 94V-2, COLOR: NATURAL.  
\*B\*=NYLON 6/6, U.L. 94V-0, COLOR: NATURAL.

TERMINAL MATERIAL: \_\_\_\_\_

\*A\*=BRASS

TERMINAL PLATING (SEE NOTE 2): \_\_\_\_\_

\*A\*-.000100/(0.00254) MIN. MATTE TIN OVER .000050/(0.00127) MIN. NICKEL  
\*D\*-.000100/(0.00254) MIN. BRIGHT TIN OVER .000050/(0.00127) MIN. NICKEL  
\*E\*-.000030/(0.00076) MIN. SELECT GOLD AND .000100/(0.00254) MIN. SELECT MATTE TIN OVER .000050/(0.00127) MIN. NICKEL OVERALL

"0" = OBSOLETE

|   |                     |  |        |                          |   |  |   |                        |  |  |
|---|---------------------|--|--------|--------------------------|---|--|---|------------------------|--|--|
| <b>SEE SHEET 1</b><br>EC NO: UCP2015-1722<br>DRWN: JDFX<br>CHKD: JELL<br>APPR: FSMITH<br>2014/10/23<br>2014/10/23<br>2014/10/27 | QUALITY SYMBOLS<br> | GENERAL TOLERANCES (UNLESS SPECIFIED)                |        | DIMENSION STYLE<br>IN/MM |   | SCALE<br>1:1   | DESIGN UNITS<br>METRIC  | THIRD ANGLE PROJECTION |  |  |
|   |                     | 4 PLACES ± .010                                      | ± .010 | DRAWN BY<br>AFG          | DATE<br>1994/12/07  | TITLE<br><b>2-24 CKT. VERT. HEADER<br/>MINI-FIT B.M.I.<br/>MAKE FIRST/BREAK LAST</b> |   |                        |  |  |
|   |                     | 3 PLACES ± .010                                      | ± .010 | CHECKED BY<br>RJF        | DATE<br>1994/12/07  |  |   |                        |  |  |
|   |                     | 2 PLACES ± 0.25                                      | ± .014 | APPROVED BY<br>FSMITH    |   | DATE<br>2012/05/22   | <b>molex</b><br>MATERIAL NO. _____ DOCUMENT NO. <b>SDA-43459-****</b> SHEET NO. <b>3 OF 3</b> |                        |  |  |
| 1 PLACE ± 0.36  | ± .010              | DRAFT WHERE APPLICABLE MUST REMAIN WITHIN DIMENSIONS |        |                          |   |  |   |                        |  |  |
| 0 PLACE ± .010  | ± .010              | ANGULAR ±1/2°  |        |                          | SIZE <b>C</b> THIS DRAWING CONTAINS INFORMATION THAT IS PROPRIETARY TO MOLEX INCORPORATED AND SHOULD NOT BE USED WITHOUT WRITTEN PERMISSION |  |   |                        |  |  |

## Данный компонент на территории Российской Федерации

### Вы можете приобрести в компании MosChip.

Для оперативного оформления запроса Вам необходимо перейти по данной ссылке:

<http://moschip.ru/get-element>

Вы можете разместить у нас заказ для любого Вашего проекта, будь то серийное производство или разработка единичного прибора.

В нашем ассортименте представлены ведущие мировые производители активных и пассивных электронных компонентов.

Нашей специализацией является поставка электронной компонентной базы двойного назначения, продукции таких производителей как XILINX, Intel (ex.ALTERA), Vicor, Microchip, Texas Instruments, Analog Devices, Mini-Circuits, Amphenol, Glenair.

Сотрудничество с глобальными дистрибьюторами электронных компонентов, предоставляет возможность заказывать и получать с международных складов практически любой перечень компонентов в оптимальные для Вас сроки.

На всех этапах разработки и производства наши партнеры могут получить квалифицированную поддержку опытных инженеров.

Система менеджмента качества компании отвечает требованиям в соответствии с ГОСТ Р ИСО 9001, ГОСТ РВ 0015-002 и ЭС РД 009

### Офис по работе с юридическими лицами:

105318, г.Москва, ул.Щербаковская д.3, офис 1107, 1118, ДЦ «Щербаковский»

Телефон: +7 495 668-12-70 (многоканальный)

Факс: +7 495 668-12-70 (доб.304)

E-mail: [info@moschip.ru](mailto:info@moschip.ru)

Skype отдела продаж:

moschip.ru

moschip.ru\_4

moschip.ru\_6

moschip.ru\_9