



*Quality Products. Service Excellence.*

## Low Voltage PCB Mount - Low Profile 162-164 Series

### Features

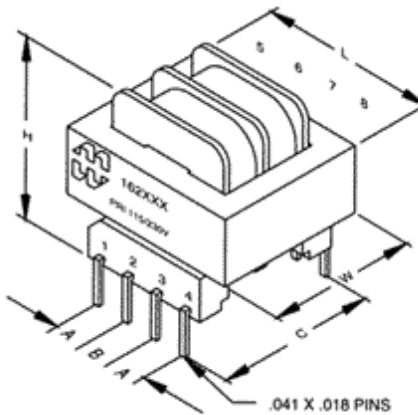


- 20 output voltages to choose from (5 - 120VAC R.M.S.)
- Six VA size models available from - 1.1 to 36VA
- Both series operate on 50/60 Hz current
- Low profile, split bobbin design.
- Dual winding secondaries, non-concentrically wound
- Units are designed so that all windings must be used
- Low primary to secondary coupling - no electrostatic shield required.
- Choice of economical single primary 115V (164 series) or universal dual primary 115/230V (162 series) - either model 50/60 Hz operation.
- High insulation - Hipot of 2,500V RMS.
- Class B insulation - 130 degrees C.
- No mounting hardware required on 1.1 and 2.4 VA sizes, two hole mounting on 6, 12 and 20VA sizes, four hole mounting on 36VA size (mounting screws not provided). P.C. board mount with industry standard pin spacing.
- c UL us recognized

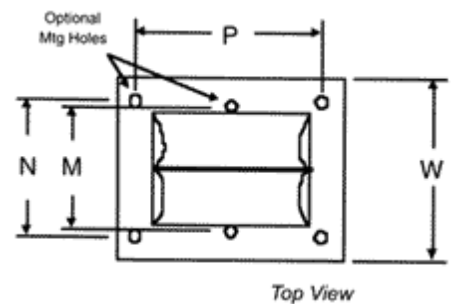
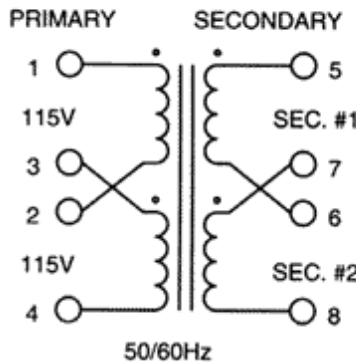
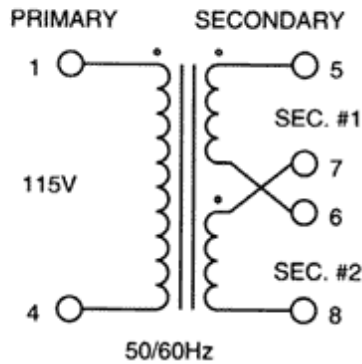




**Single Primary  
164 Series**



**Dual Primary  
162 Series**



| Part No        | Part No      | Size | Secondary (RMS)    |             |
|----------------|--------------|------|--------------------|-------------|
| Single Primary | Dual Primary |      | Series             | Parallel    |
| 115V           | 115/230V     | VA   |                    |             |
| 164D10         | 162D10       | 1.1  | 10V C.T. @ .11A    | 5V @ .22A   |
| 164E10         | 162E10       | 2.4  | 10V C.T. @ .25A    | 5V @ .5A    |
| 164F10         | 162F10       | 6    | 10V C.T. @ .6A     | 5V @ 1.2A   |
| 164G10         | 162G10       | 12   | 10V C.T. @ 1.2A    | 5V @ 2.4A   |
| 164H10         | 162H10       | 20   | 10V C.T. @ 2A      | 5V @ 4.0A   |
| 164J10         | 162J10       | 36   | 10V C.T. @ 3.6A    | 5V @ 7.2A   |
| 164D12         | 162D12       | 1.1  | 12.6V C.T. @ .09A  | 6.3V @ .18A |
| 164E12         | 162E12       | 2.4  | 12.6V C.T. @ .2A   | 6.3V @ .4A  |
| 164F12         | 162F12       | 6    | 12.6V C.T. @ .5A   | 6.3V @ 1.0A |
| 164G12         | 162G12       | 12   | 12.6V C.T. @ 1.0A  | 6.3V @ 2.0A |
| 164H12         | 162H12       | 20   | 12.6V C.T. @ 1.6A  | 6.3V @ 3.2A |
| 164J12         | 162J12       | 36   | 12.6V C.T. @ 2.85A | 6.3V @ 5.7A |
| 164D16         | 162D16       | 1.1  | 16V C.T. @ .07A    | 8V @ .14A   |
| 164E16         | 162E16       | 2.4  | 16V C.T. @ .15A    | 8V @ .3A    |
| 164F16         | 162F16       | 6    | 16V C.T. @ .4A     | 8V @ .8A    |
| 164G16         | 162G16       | 12   | 16V C.T. @ .8A     | 8V @ 1.6A   |
| 164H16         | 162H16       | 20   | 16V C.T. @ 1.25A   | 8V @ 2.5A   |
| 164J16         | 162J16       | 36   | 16V C.T. @ 2.25A   | 8V @ 4.5A   |
| 164D20         | 162D20       | 1.1  | 20V C.T. @ .055A   | 10V @ .11A  |
| 164E20         | 162E20       | 2.4  | 20V C.T. @ .12A    | 10V @ .24A  |
| 164F20         | 162F20       | 6    | 20V C.T. @ .3A     | 10V @ .6A   |
| 164G20         | 162G20       | 12   | 20V C.T. @ .6A     | 10V @ 1.2A  |
| 164H20         | 162H20       | 20   | 20V C.T. @ 1A      | 10V @ 2.0A  |
| 164J20         | 162J20       | 36   | 20V C.T. @ 1.8A    | 10V @ 3.6A  |
| 164D24         | 162D24       | 1.1  | 24V C.T. @ .045A   | 12V @ .09A  |
| 164E24         | 162E24       | 2.4  | 24V C.T. @ .1A     | 12V @ .2A   |

| Part No<br>Single Primary<br>115V | Part No<br>Dual Primary<br>115/230V | Size<br>VA | Series           | Secondary (RMS)<br>Parallel |
|-----------------------------------|-------------------------------------|------------|------------------|-----------------------------|
| 164F24                            | 162F24                              | 6          | 24V C.T. @ .25A  | 12V @ .5A                   |
| 164G24                            | 162G24                              | 12         | 24V C.T. @ .5A   | 12V @ 1.0A                  |
| 164H24                            | 162H24                              | 20         | 24V C.T. @ .8A   | 12V @ 1.6A                  |
| 164J24                            | 162J24                              | 36         | 24V C.T. @ 1.5A  | 12V @ 3.0A                  |
| 164D28                            | 162D28                              | 1.1        | 28V C.T. @ .04A  | 14V @ .08A                  |
| 164E28                            | 162E28                              | 2.4        | 28V C.T. @ .085A | 14V @ .17A                  |
| 164F28                            | 162F28                              | 6          | 28V C.T. @ .2A   | 14V @ .4A                   |
| 164G28                            | 162G28                              | 12         | 28V C.T. @ .42A  | 14V @ .84A                  |
| 164H28                            | 162H28                              | 20         | 28V C.T. @ .7A   | 14V @ 1.4A                  |
| 164J28                            | 162J28                              | 36         | 28V C.T. @ 1.3A  | 14V @ 2.6A                  |
| 164D36                            | 162D36                              | 1.1        | 36V C.T. @ .03A  | 18V @ .06A                  |
| 164E36                            | 162E36                              | 2.4        | 36V C.T. @ .065A | 18V @ .13A                  |
| 164F36                            | 162F36                              | 6          | 36V C.T. @ .17A  | 18V @ .34A                  |
| 164G36                            | 162G36                              | 12         | 36V C.T. @ .35A  | 18V @ .7A                   |
| 164H36                            | 162H36                              | 20         | 36V C.T. @ .55A  | 18V @ 1.1A                  |
| 164J36                            | 162J36                              | 36         | 36V C.T. @ 1A    | 18V @ 2.0A                  |
| 164D48                            | 162D48                              | 1.1        | 48V C.T. @ .023A | 24V @ .046A                 |
| 164E48                            | 162E48                              | 2.4        | 48V C.T. @ .05A  | 24V @ .1A                   |
| 164F48                            | 162F48                              | 6          | 48V C.T. @ .125A | 24V @ .25A                  |
| 164G48                            | 162G48                              | 12         | 48V C.T. @ .25A  | 24V @ .5A                   |
| 164H48                            | 162H48                              | 20         | 48V C.T. @ .4A   | 24V @ .8A                   |
| 164J48                            | 162J48                              | 36         | 48V C.T. @ .75A  | 24V @ 1.5A                  |
| 164D56                            | 162D56                              | 1.1        | 56V C.T. @ .02A  | 28V @ .04A                  |
| 164E56                            | 162E56                              | 2.4        | 56V C.T. @ .045A | 28V @ .09A                  |
| 164F56                            | 162F56                              | 6          | 56V C.T. @ .11A  | 28V @ .22A                  |
| 164G56                            | 162G56                              | 12         | 56V C.T. @ .22A  | 28V @ .44A                  |
| 164H56                            | 162H56                              | 20         | 56V C.T. @ .35A  | 28V @ .7A                   |
| 164J56                            | 162J56                              | 36         | 56V C.T. @ .65A  | 28V @ 1.3A                  |
| 164D120                           | 162D120                             | 1.1        | 120V C.T. @ .01A | 60V @ .02A                  |
| 164E120                           | 162E120                             | 2.4        | 120V C.T. @ .02A | 60V @ .04A                  |
| 164F120                           | 162F120                             | 6          | 120V C.T. @ .05A | 60V @ .1A                   |
| 164G120                           | 162G120                             | 12         | 120V C.T. @ .1A  | 60V @ .2A                   |
| 164H120                           | 162H120                             | 20         | 120V C.T. @ .16A | 60V @ .32A                  |
| 164J120                           | 162J120                             | 36         | 120V C.T. @ .3A  | 60V @ .6A                   |

## Mechanical & Schematic Data

| (VA)<br>Size | Part Number<br>Letter | Dimensions |      |       |      |      |      |      |      |      |    | Mounting<br>Screw | Weight<br>lbs. |
|--------------|-----------------------|------------|------|-------|------|------|------|------|------|------|----|-------------------|----------------|
|              |                       | L          | W    | H     | A    | B    | C    | M    | N    | P    |    |                   |                |
| 1.1          | D                     | 1.38       | 1.13 | 15/16 | 0.25 | 0.25 | 1.2  | -    | -    | -    | -  | 0.17              |                |
| 2.4          | E                     | 1.38       | 1.13 | 1.19  | 0.25 | 0.25 | 1.2  | -    | -    | -    | -  | 0.25              |                |
| 6            | F                     | 1.63       | 1.31 | 1.31  | 0.25 | 0.35 | 1.28 | 1.06 | -    | -    | #4 | 0.44              |                |
| 12           | G                     | 1.88       | 1.56 | 1.50  | 0.30 | 0.40 | 1.41 | 1.25 | -    | -    | #4 | 0.7               |                |
| 20           | H                     | 2.25       | 1.88 | 1.44  | 0.30 | 0.40 | 1.6  | 1.5  | -    | -    | #4 | 0.8               |                |
| 36           | J                     | 2.63       | 2.19 | 1.56  | 0.40 | 0.40 | 1.85 | -    | 1.75 | 2.19 | #6 | 1.1               |                |

Data subject to change without notice

© 2020. Hammond Manufacturing Ltd. All rights reserved.



## Данный компонент на территории Российской Федерации

### Вы можете приобрести в компании MosChip.

Для оперативного оформления запроса Вам необходимо перейти по данной ссылке:

<http://moschip.ru/get-element>

Вы можете разместить у нас заказ для любого Вашего проекта, будь то серийное производство или разработка единичного прибора.

В нашем ассортименте представлены ведущие мировые производители активных и пассивных электронных компонентов.

Нашей специализацией является поставка электронной компонентной базы двойного назначения, продукции таких производителей как XILINX, Intel (ex.ALTERA), Vicor, Microchip, Texas Instruments, Analog Devices, Mini-Circuits, Amphenol, Glenair.

Сотрудничество с глобальными дистрибьюторами электронных компонентов, предоставляет возможность заказывать и получать с международных складов практически любой перечень компонентов в оптимальные для Вас сроки.

На всех этапах разработки и производства наши партнеры могут получить квалифицированную поддержку опытных инженеров.

Система менеджмента качества компании отвечает требованиям в соответствии с ГОСТ Р ИСО 9001, ГОСТ РВ 0015-002 и ЭС РД 009

### Офис по работе с юридическими лицами:

105318, г.Москва, ул.Щербаковская д.3, офис 1107, 1118, ДЦ «Щербаковский»

Телефон: +7 495 668-12-70 (многоканальный)

Факс: +7 495 668-12-70 (доб.304)

E-mail: [info@moschip.ru](mailto:info@moschip.ru)

Skype отдела продаж:

moschip.ru

moschip.ru\_4

moschip.ru\_6

moschip.ru\_9