



# Complete, 8-Channel, 12-Bit Data-Acquisition Systems

MAX180/MAX181

## General Description

The MAX180/MAX181 are complete 12-bit Data Acquisition System (DAS) which combine 8/6-channel input multiplexer, high bandwidth Track-and-Hold (T/H), low-drift zener reference, and flexible microprocessor ( $\mu$ P) interface with high conversion speed and low power consumption. The MAX180/MAX181 can be configured by a  $\mu$ P for unipolar or bipolar conversions and single-ended or differential inputs. Both devices sample and digitize at 100kHz throughput rate and feature a fast 8- or 16-bit  $\mu$ P interface.

The MAX180 has 8 analog input channels, while the MAX181 has 6. The multiplexer output of the MAX180 is fed directly into the Analog-to-Digital Converter (ADC) input. The MAX181 brings out both the multiplexer output and ADC input to separate pins, allowing a programmable gain amplifier to be inserted between the MUX and the ADC.

The systems allow the user to choose between an internal or an external reference. Furthermore, the internal reference value and the offset can be adjusted, allowing the overall system gain and offset errors to be nulled. The multiplexer has high impedance inputs, simplifying analog drive requirements.

## Applications

- High-Speed Servo Loops
- Digital-Signal Processing
- High-Accuracy Process Control
- Automatic Testing Systems

## Block Diagram



## Features

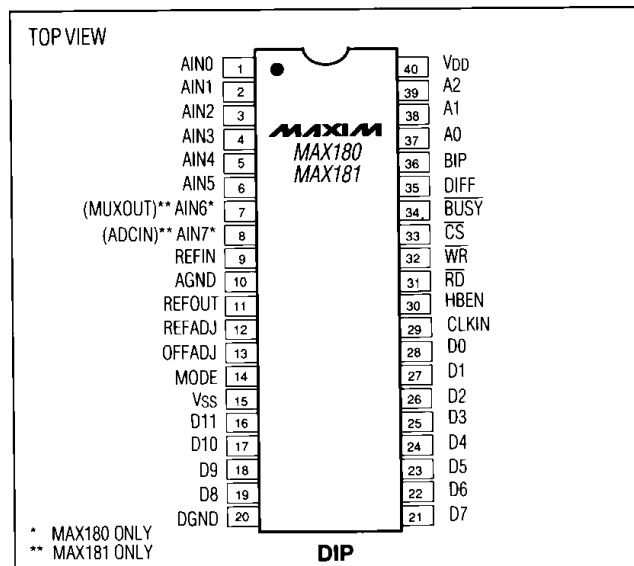
- ◆ 12-Bit Resolution,  $\pm 1/2$ LSB Linearity
- ◆ 8-Channel Multiplexed Inputs (MAX180)
- ◆ Single-Ended 1-of-6 Multiplexer (MAX181)
- ◆ Built-In Track-and-Hold
- ◆ 100kHz Sampling Rate
- ◆ DC and Dynamically Tested
- ◆ Internal 25ppm/ $^{\circ}$ C Voltage Reference
- ◆ Each Channel Configurable for Unipolar (0V to +5V) or Bipolar (-2.5V to +2.5V) Input Range
- ◆ Each Channel Configurable for Single-Ended or Differential Inputs
- ◆ Fast 8-/16-Bit  $\mu$ P Interface
- ◆ +5V and -12V to -15V Supply Operation
- ◆ 110mW Power Consumption

## Ordering Information

| PART       | TEMP. RANGE                        | PIN-PACKAGE    | ERROR (LSBs) |
|------------|------------------------------------|----------------|--------------|
| MAX180ACPL | 0 $^{\circ}$ C to +70 $^{\circ}$ C | 40 Plastic DIP | $\pm 1/2$    |
| MAX180BCPL | 0 $^{\circ}$ C to +70 $^{\circ}$ C | 40 Plastic DIP | $\pm 1$      |
| MAX180CCPL | 0 $^{\circ}$ C to +70 $^{\circ}$ C | 40 Plastic DIP | $\pm 1$      |
| MAX180ACQH | 0 $^{\circ}$ C to +70 $^{\circ}$ C | 44 PLCC        | $\pm 1/2$    |
| MAX180BCQH | 0 $^{\circ}$ C to +70 $^{\circ}$ C | 44 PLCC        | $\pm 1$      |

Ordering information continued on last page.

## Pin Configurations



# Complete, 8-Channel, 12-Bit Data-Acquisition Systems

## ABSOLUTE MAXIMUM RATINGS

|                                                           |                               |
|-----------------------------------------------------------|-------------------------------|
| V <sub>DD</sub> to DGND                                   | -0.3V, +7V                    |
| V <sub>SS</sub> to DGND                                   | -0.3V, -17V                   |
| AGND to DGND                                              | -0.3V, V <sub>DD</sub> + 0.3V |
| AIN <sub>-</sub> , MUXOUT, ADCIN, REFADJ, OFFADJ to REFIN | -0.3V, V <sub>DD</sub> + 0.3V |
| REFIN to DGND                                             | +0.3V, V <sub>SS</sub> - 0.3V |
| CS, WR, RD, CLK, A2-A0, BIP_DIFF, HBEN to DGND            | -0.3V, V <sub>DD</sub> + 0.3V |
| BUSY, D0-D11 to DGND                                      | -0.3V, V <sub>DD</sub> + 0.3V |

|                                                     |                 |
|-----------------------------------------------------|-----------------|
| Continuous Power Dissipation (any package) to +70°C | 1000mW          |
| derates above +70°C by                              | 10mW/°C         |
| Operating Temperature Ranges:                       |                 |
| MAX18_C                                             | 0°C to +70°C    |
| MAX18_E                                             | -40°C to +85°C  |
| MAX18_MJL                                           | -55°C to +125°C |
| Storage Temperature Range                           | -65°C to +160°C |
| Lead Temperature (soldering, 10 sec)                | +300°C          |

Stresses beyond those listed under "Absolute Maximum Ratings" may cause permanent damage to the device. These are stress ratings only, and functional operation of the device at these or any other conditions beyond those indicated in the operational sections of the specifications is not implied. Exposure to absolute maximum rating conditions for extended periods may affect device reliability.

## ELECTRICAL CHARACTERISTICS

(V<sub>DD</sub> = +5V ±5%, V<sub>SS</sub> = -12V ±5% or -15V ±5%, REFIN = -5V, Internal Reference Mode, Bipolar Mode, Slow-Memory Mode (see text), f<sub>CLK</sub> = 1.6MHz external, MAX180/MAX181 all grades, T<sub>A</sub> = T<sub>MIN</sub> to T<sub>MAX</sub>, unless otherwise noted.) (Note 1)

| PARAMETER                                          | SYMBOL            | CONDITIONS                                                                     | MIN    | TYP   | MAX             | UNITS  |
|----------------------------------------------------|-------------------|--------------------------------------------------------------------------------|--------|-------|-----------------|--------|
| <b>ACCURACY</b> (Note 2)                           |                   |                                                                                |        |       |                 |        |
| Resolution                                         | N                 |                                                                                | 12     |       |                 | Bits   |
| Integral Nonlinearity Error                        | INL               | MAX18_A                                                                        |        |       | ±1/2            | LSB    |
|                                                    |                   | MAX18_B/C                                                                      |        |       | ±1              |        |
| Differential Nonlinearity Error                    | DNL               | Guaranteed monotonic over temperature                                          |        |       | ±1              | LSB    |
| Unipolar Offset Error (Note 3)                     |                   |                                                                                |        | ±1    | ±4              | LSB    |
| Bipolar Offset Error (Note 3)                      |                   |                                                                                |        | ±1    | ±6              | LSB    |
| Unipolar Gain Error                                |                   |                                                                                |        | ±2    | ±10             | LSB    |
| Bipolar Gain Error                                 |                   |                                                                                |        | ±2    | ±15             | LSB    |
| Gain-Error Tempco (Note 4)                         |                   |                                                                                |        | ±5    |                 | ppm/°C |
| Channel-to-Channel Matching                        |                   |                                                                                |        | ±1/4  |                 | LSB    |
| <b>DYNAMIC PERFORMANCE</b> (Note 2)                |                   |                                                                                |        |       |                 |        |
| Signal-to-Noise + Distortion Ratio                 | SINAD             | 10kHz input signal, 100kHz sampling rate, bipolar mode, T <sub>A</sub> = +25°C | 70     |       |                 | dB     |
| Total Harmonic Distortion (up to the 5th harmonic) | THD               | 10kHz input signal, 100kHz sampling rate, bipolar mode, T <sub>A</sub> = +25°C |        |       | -80             | dB     |
| Spurious-Free Dynamic Range                        | SFDR              | 10kHz input signal, 100kHz sampling rate, bipolar mode, T <sub>A</sub> = +25°C | 80     |       |                 | dB     |
| Full-Power Sampling Bandwidth                      |                   | In track mode, under-sampled waveform                                          |        | 6     |                 | MHz    |
| Track-and-Hold Acquisition Time (Note 5)           | t <sub>ACQ</sub>  |                                                                                | 1.875  |       |                 | μs     |
| Conversion Time                                    | t <sub>CONV</sub> | Asynchronous hold mode                                                         | Note 5 | 7.500 | 8.125           | μs     |
|                                                    |                   | ROM, Slow-Memory, and I/O Port Modes; 15-16 clock cycles                       |        | 9.375 | 10.000          |        |
| <b>ANALOG INPUT</b>                                |                   |                                                                                |        |       |                 |        |
| Voltage Range                                      |                   | AIN <sub>-</sub> , MUXOUT, and ADCIN                                           | REFIN  |       | V <sub>DD</sub> | V      |
| Unipolar, Single-Ended Range                       |                   | AIN <sub>-</sub> to AGND                                                       | 0      |       | 5.0             |        |
| Unipolar, Differential Range                       |                   | AIN <sub>+</sub> to AIN <sub>-</sub>                                           | 0      |       | 5.0             |        |
| Bipolar, Single-Ended Range                        |                   | AIN <sub>-</sub> to AGND                                                       | -2.5   |       | 2.5             |        |
| Bipolar, Differential Range                        |                   | AIN <sub>+</sub> to AIN <sub>-</sub>                                           | -2.5   |       | 2.5             |        |

# Complete, 8-Channel, 12-Bit Data-Acquisition Systems

MAX180/MAX181

## ELECTRICAL CHARACTERISTICS (continued)

(V<sub>DD</sub> = +5V ±5%, V<sub>SS</sub> = -12V ±5% or -15V ±5%, REFIN = -5V, Internal Reference Mode, Bipolar Mode, Slow-Memory Mode (see text), f<sub>CLK</sub> = 1.6MHz external, MAX180/MAX181 all grades, T<sub>A</sub> = T<sub>MIN</sub> to T<sub>MAX</sub>, unless otherwise noted.) (Note 1)

| PARAMETER                                  | SYMBOL                 | CONDITIONS                                                    | MIN                                                   | TYP   | MAX   | UNITS  |
|--------------------------------------------|------------------------|---------------------------------------------------------------|-------------------------------------------------------|-------|-------|--------|
| <b>ANALOG INPUT</b> (continued)            |                        |                                                               |                                                       |       |       |        |
| Input Current                              |                        | AIN <sub>n</sub> , MAX180                                     |                                                       |       | ±1.0  | μA     |
|                                            |                        | ADCIN <sub>n</sub> , MAX181                                   |                                                       |       | ±0.1  |        |
| Mux-On Resistance                          | R <sub>ON</sub>        | AIN <sub>n</sub> = 2.5V, I <sub>MUXOUT</sub> = 1.25mA, MAX181 |                                                       |       | 2     | kΩ     |
| Mux-On Leakage Current                     | I <sub>ON</sub>        | AIN <sub>n</sub> = MUXOUT = ±5V, MAX181                       |                                                       |       | ±100  | nA     |
| Mux-Off Leakage Current                    | I <sub>IN</sub> (OFF)  | AIN <sub>n</sub> = ±5V, V <sub>OUT</sub> = ±5V, MAX181        |                                                       |       | ±100  | nA     |
|                                            | I <sub>OUT</sub> (OFF) | AIN <sub>n</sub> = ±5V, V <sub>OUT</sub> = ±5V, MAX181        |                                                       |       | ±100  |        |
| Input Capacitance (Note 5)                 | C <sub>IN</sub>        | AIN <sub>n</sub> , ADCIN                                      |                                                       | 25    | 35    | pF     |
|                                            |                        | MUXOUT                                                        |                                                       | 35    | 45    |        |
| <b>REFERENCE INPUT</b>                     |                        |                                                               |                                                       |       |       |        |
| Input Range (Note 5)                       |                        |                                                               | -4.92                                                 | -5.00 | -5.08 | V      |
| Input Current                              |                        |                                                               |                                                       |       | -2    | mA     |
| Input Resistance                           |                        |                                                               | 2.5                                                   |       |       | kΩ     |
| <b>REFERENCE OUTPUT</b>                    |                        |                                                               |                                                       |       |       |        |
| VREF Output Voltage                        |                        | T <sub>A</sub> = +25°C                                        | -4.98                                                 | -5.00 | -5.02 | V      |
| VREF Output Tempco (Note 6)                |                        | MAX18_A/B                                                     |                                                       |       | 25    | ppm/°C |
|                                            |                        | MAX18_C                                                       |                                                       |       | 45    |        |
| VREF Load Regulation (Note 7)              |                        | I <sub>OUT</sub> = 0mA to 5mA, T <sub>A</sub> = +25°C         |                                                       | 0.2   | 1.0   | mV/mA  |
| <b>REFADJ, OFFADJ</b>                      |                        |                                                               |                                                       |       |       |        |
| Input Current                              |                        | VREFADJ, VOFFADJ = V <sub>DD</sub> to REFIN                   |                                                       |       | ±1    | μA     |
| Disable Threshold                          |                        |                                                               | 4.5                                                   |       |       | V      |
| REFADJ Adjustment Range                    |                        | REFIN < REFADJ < AGND                                         | ±60                                                   | ±80   |       | mV     |
| OFFADJ Adjustment Range                    |                        | REFIN < OFFADJ < AGND                                         | ±15                                                   | ±25   |       | LSB    |
| <b>LOGIC INPUTS</b>                        |                        |                                                               |                                                       |       |       |        |
| Input Low Voltage                          | V <sub>IL</sub>        | MODE                                                          |                                                       |       | 0.5   | V      |
|                                            |                        | CS, RD, WR, CLK, A2-A0, DIFF, BIP, HBEN                       |                                                       |       | 0.8   |        |
| Input High Voltage                         | V <sub>IH</sub>        | MODE                                                          | 4.5                                                   |       |       | V      |
|                                            |                        | CS, RD, WR, CLK, A2-A0, DIFF, BIP, HBEN                       | 2.4                                                   |       |       |        |
| Input Mid-Level Voltage                    | V <sub>MID</sub>       | MODE                                                          | 1.5                                                   |       | 3.5   | V      |
| Input Floating Voltage                     | V <sub>FLT</sub>       | MODE                                                          |                                                       | 2.5   |       | V      |
| Input Current                              | I <sub>IN</sub>        | MODE                                                          | T <sub>A</sub> = +25°C                                | ±50   | ±100  | μA     |
|                                            |                        |                                                               | T <sub>A</sub> = T <sub>MIN</sub> to T <sub>MAX</sub> | ±50   | ±100  |        |
|                                            |                        | CS, RD, WR, CLK, A2-A0, DIFF, BIP, HBEN                       | T <sub>A</sub> = +25°C                                |       | ±1    |        |
|                                            |                        |                                                               | T <sub>A</sub> = T <sub>MIN</sub> to T <sub>MAX</sub> |       | ±10   |        |
| Input Capacitance (Note 5)                 | C <sub>IN</sub>        |                                                               |                                                       |       | 15    | pF     |
| <b>LOGIC OUTPUTS</b>                       |                        |                                                               |                                                       |       |       |        |
| Output Low Voltage                         | V <sub>OL</sub>        | D11-D0, BUSY, RDY, I <sub>SINK</sub> = 1.6mA                  |                                                       |       | 0.4   | V      |
| Output High Voltage                        | V <sub>OH</sub>        | D11-D0, BUSY, RDY, I <sub>SOURCE</sub> = 360μA                | 4.0                                                   |       |       | V      |
| Floating State Leakage Current             | I <sub>LKG</sub>       | D11-D0, V <sub>OUT</sub> = 0V to V <sub>DD</sub>              |                                                       |       | ±10   | μA     |
| Floating State Output Capacitance (Note 5) | C <sub>OUT</sub>       |                                                               |                                                       |       | 15    | pF     |

# Complete, 8-Channel, 12-Bit Data-Acquisition Systems

## ELECTRICAL CHARACTERISTICS (continued)

( $V_{DD} = +5V \pm 5\%$ ,  $V_{SS} = -12V \pm 5\%$  or  $-15V \pm 5\%$ ,  $REFIN = -5V$ , Internal Reference Mode, Bipolar Mode, Slow-Memory Mode (see text),  $f_{CLK} = 1.6MHz$  external, MAX180/MAX181 all grades,  $T_A = T_{MIN}$  to  $T_{MAX}$ , unless otherwise noted.) (Note 1)

| PARAMETER                                       | SYMBOL   | CONDITIONS                                                     | MIN    | TYP       | MAX       | UNITS |
|-------------------------------------------------|----------|----------------------------------------------------------------|--------|-----------|-----------|-------|
| <b>POWER REQUIREMENTS</b>                       |          |                                                                |        |           |           |       |
| Supply Voltage (Note 1)                         | $V_{DD}$ |                                                                | 4.75   | 5.00      | 5.25      | V     |
|                                                 | $V_{SS}$ |                                                                | -11.40 |           | -15.75    |       |
| Supply Current                                  | $I_{DD}$ | $V_{DD} = 5V$                                                  |        | 4.5       | 7.0       | mA    |
|                                                 | $I_{SS}$ | $V_{SS} = -12V$                                                |        | 7.0       | 10.0      |       |
| Power Dissipation                               | PD       | $V_{DD} = 5V, V_{SS} = -15V$                                   |        | 110       | 155       | mW    |
| Power-Supply Rejection, with Internal Reference | PSR      | Input near FS, $V_{SS} = -12V$ , $V_{DD} = 4.75V$ to $5.25V$   |        | $\pm 1/2$ | $\pm 1$   | LSB   |
|                                                 |          | Input near FS, $V_{DD} = 5V$ , $V_{SS} = -14.25V$ to $-15.75V$ |        | $\pm 1/8$ | $\pm 1/2$ |       |
|                                                 |          | Input near FS, $V_{DD} = 5V$ , $V_{SS} = -11.4V$ to $-12.6V$   |        | $\pm 1/8$ | $\pm 1/2$ |       |

## TIMING CHARACTERISTICS

( $V_{DD} = +5V$ ,  $V_{SS} = -12V$ ,  $f_{CLK} = 1.6MHz$ , Internal Reference Mode,  $T_A = T_{MIN}$  to  $T_{MAX}$ , unless otherwise noted.) (Note 8)

| PARAMETER                                             | SYMBOL   | CONDITIONS                | $T_A = +25^\circ C$ |     |     | MAX18_C/E |     |     | MAX18_M |     |     | UNITS |
|-------------------------------------------------------|----------|---------------------------|---------------------|-----|-----|-----------|-----|-----|---------|-----|-----|-------|
|                                                       |          |                           | MIN                 | TYP | MAX | MIN       | TYP | MAX | MIN     | TYP | MAX |       |
| $\overline{CS}$ to $\overline{RD}$ Setup time         | $t_1$    | Note 5                    | 0                   |     |     | 0         |     |     | 0       |     |     | ns    |
| $\overline{CS}$ to $\overline{RD}$ Hold time          | $t_2$    |                           | 0                   |     |     | 0         |     |     | 0       |     |     | ns    |
| $\overline{CS}$ to $\overline{WR}$ Setup time         | $t_3$    |                           | 0                   |     |     | 0         |     |     | 0       |     |     | ns    |
| $\overline{CS}$ to $\overline{WR}$ Hold time          | $t_4$    | Note 5                    | 0                   |     |     | 0         |     |     | 0       |     |     | ns    |
| $\overline{WR}$ Low Pulse Width                       | $t_5$    |                           | 120                 |     |     | 120       |     |     | 120     |     |     | ns    |
| $\overline{WR}$ High Pulse Width                      | $t_6$    | MODE = 0 or 1<br>Note 5   | 200                 |     |     | 200       |     |     | 200     |     |     | ns    |
| DATA IN to $\overline{WR}$ Setup Time                 | $t_7$    |                           | 80                  |     |     | 100       |     |     | 120     |     |     | ns    |
| DATA IN to $\overline{WR}$ Hold Time                  | $t_8$    |                           | 0                   |     |     | 0         |     |     | 0       |     |     | ns    |
| $\overline{WR}$ Rising to $\overline{BUSY}$ Delay     | $t_9$    | $C_L = 50pF, MODE = 1$    |                     |     | 160 |           |     | 180 |         |     | 200 | ns    |
| $\overline{WR}$ Falling to $\overline{BUSY}$ Delay    | $t_{10}$ | $C_L = 50pF, MODE = open$ |                     |     | 220 |           |     | 260 |         |     | 280 | ns    |
| $\overline{RD}$ Low Pulse Width                       | $t_{11}$ |                           | 100                 |     |     | 130       |     |     | 150     |     |     | ns    |
| $\overline{RD}$ High Pulse Width                      | $t_{12}$ | Note 5                    | 200                 |     |     | 200       |     |     | 200     |     |     | ns    |
| DATA IN to $\overline{RD}$ Setup Time                 | $t_{13}$ |                           | 80                  |     |     | 100       |     |     | 120     |     |     | ns    |
| DATA IN to $\overline{RD}$ Hold Time                  | $t_{14}$ |                           | 0                   |     |     | 0         |     |     | 0       |     |     | ns    |
| $\overline{RD}$ to $\overline{BUSY}$ Fall Delay       | $t_{15}$ | $C_L = 50pF$              |                     |     | 150 |           |     | 170 |         |     | 200 | ns    |
| $\overline{RD}$ to Data out Valid                     | $t_{16}$ | $C_L = 100pF$ Note 9      |                     | 50  | 100 |           |     | 130 |         |     | 150 | ns    |
| $\overline{RD}$ to Data out Three-State               | $t_{17}$ | Notes 9, 10               |                     | 30  | 50  |           |     | 65  |         |     | 75  | ns    |
| HBEN to $\overline{RD}$ or $\overline{WR}$ Setup Time | $t_{18}$ |                           | 80                  |     |     | 100       |     |     | 120     |     |     | ns    |
| HBEN to $\overline{RD}$ or $\overline{WR}$ Hold Time  | $t_{19}$ |                           | 0                   |     |     | 0         |     |     | 0       |     |     | ns    |
| $\overline{CS}$ to $\overline{READY}$ Fall Delay      | $t_{20}$ | $C_L = 50pF$              |                     |     | 110 |           |     | 130 |         |     | 150 | ns    |

# Complete, 8-Channel, 12-Bit Data-Acquisition Systems

MAX180/MAX181

## TIMING CHARACTERISTICS (continued)

(V<sub>DD</sub> = +5V, V<sub>SS</sub> = -12V, f<sub>CLK</sub> = 1.6MHz, Internal Reference Mode, T<sub>A</sub> = T<sub>MIN</sub> to T<sub>MAX</sub>, unless otherwise noted.) (Note 8)

| PARAMETER                                               | SYMBOL          | CONDITIONS                     | T <sub>A</sub> = +25°C |     |     | MAX18_C/E |     |     | MAX18_M |     |     | UNITS |
|---------------------------------------------------------|-----------------|--------------------------------|------------------------|-----|-----|-----------|-----|-----|---------|-----|-----|-------|
|                                                         |                 |                                | MIN                    | TYP | MAX | MIN       | TYP | MAX | MIN     | TYP | MAX |       |
| BUSY to Data Out Valid                                  | t <sub>21</sub> | C <sub>L</sub> = 100pF, Note 9 |                        |     | 125 |           |     | 150 |         |     | 170 | ns    |
| CS, RD, or WR to CLK Setup time for 15 clock conversion | t <sub>22</sub> | Note 5                         | 220                    |     |     | 220       |     |     | 220     |     |     | ns    |
| CS, RD, or WR to CLK Setup time for 16 clock conversion | t <sub>23</sub> | Note 5                         | 0                      |     |     | 0         |     |     | 0       |     |     | ns    |

**Note 1:** Performance at power-supply tolerance limits guaranteed by power-supply rejection test.

**Note 2:** V<sub>DD</sub> = +5V, V<sub>SS</sub> = -15V, FS = +5V, REFIN = -5V.

**Note 3:** Typical change over temperature is ±1LSB.

**Note 4:** FS Tempco = ΔFS/ΔT, where ΔFS is full-scale change from T<sub>A</sub> = +25°C to T<sub>MIN</sub> or to T<sub>MAX</sub>.

**Note 5:** Guaranteed by design.

**Note 6:** REFIN TC = ΔREFIN/ΔT, where ΔREFIN is reference voltage change from T<sub>A</sub> = +25°C to T<sub>MIN</sub> or to T<sub>MAX</sub>.

**Note 7:** Load current should remain constant during conversion. This current is in addition to the DAC input current.

**Note 8:** All inputs are 0V to +5V swing with t<sub>r</sub> = t<sub>f</sub> = 5ns (10% to 90% of 5V) and timed from a voltage level of +1.6V.

**Note 9:** t<sub>16</sub> and t<sub>21</sub> are measured with the load circuits of Figure 1 and defined as the time required for an output to cross 0.8V or 2.4V.

**Note 10:** t<sub>17</sub> is defined as the time required for the data lines to change 0.5V when the circuit load is as shown in Figure 2.

## Pin Description

| NAME            | MAX180 |            | MAX181 |            | FUNCTION                                                               |
|-----------------|--------|------------|--------|------------|------------------------------------------------------------------------|
|                 | DIP    | PLCC       | DIP    | PLCC       |                                                                        |
| AIN0-AIN5       | 1-6    | 2-7        | 1-6    | 2-7        | Analog Inputs to the mux: 0V to +5V unipolar, -2.5V to +2.5V bipolar   |
| AIN6-AIN7       | 7,8    | 8,9        |        |            | Analog Inputs to the mux: 0V to +5V unipolar, -2.5V to +2.5V bipolar   |
| MUXOUT          |        |            | 7      | 8          | Multiplexer Output                                                     |
| ADCIN           |        |            | 8      | 9          | Analog Input to track-and-hold                                         |
| REFIN           | 9      | 10         | 9      | 10         | Reference Input                                                        |
| AGND            | 10     | 11         | 10     | 11         | Analog Ground                                                          |
| REFOUT          | 11     | 13         | 11     | 13         | -5V Reference Output                                                   |
| REFADJ          | 12     | 14         | 12     | 14         | -5V Reference Adjust. Connect to V <sub>DD</sub> if not required.      |
| OFFADJ          | 13     | 15         | 13     | 15         | Offset Adjust. Connect to V <sub>DD</sub> if not required.             |
| MODE            | 14     | 16         | 14     | 16         | Interface Mode Select pin.                                             |
| V <sub>SS</sub> | 15     | 17         | 15     | 17         | Negative Supply: -15V or -12V                                          |
| D11-D8          | 16-19  | 18-21      | 16-19  | 18-21      | Three-State Data Outputs, MSB = D11                                    |
| DGND            | 20     | 22         | 20     | 22         | Digital Ground                                                         |
| D7-D0           | 21-28  | 24-31      | 21-28  | 24-31      | Three-State Data Outputs, LSB = D0                                     |
| CLKIN           | 29     | 32         | 29     | 32         | Clock Input, TTL/CMOS compatible                                       |
| HBEN            | 30     | 33         | 30     | 33         | High-Byte Enable Input                                                 |
| $\overline{RD}$ | 31     | 35         | 31     | 35         | READ Input                                                             |
| $\overline{WR}$ | 32     | 36         | 32     | 36         | WRITE Input (MODE = 1 or Open) READY Output (MODE = 0)                 |
| CS              | 33     | 37         | 33     | 37         | CHIP-SELECT Input                                                      |
| BUSY            | 34     | 38         | 34     | 38         | BUSY Output                                                            |
| DIFF            | 35     | 39         | 35     | 39         | Single-Ended Mode: DIFF = 0, Differential Mode: DIFF = 1               |
| BIP             | 36     | 40         | 36     | 40         | Unipolar Mode: BIP = 0, Bipolar Mode: BIP = 1                          |
| A0-A2           | 37-39  | 41-43      | 37-39  | 41-43      | Multiplexer Channel Address Input: A2 = MSB, A0 = LSB                  |
| V <sub>DD</sub> | 40     | 44         | 40     | 44         | Positive Supply: +5V Input (substrate connected to V <sub>DD</sub> )   |
| N.C.            |        | 1,12,23,34 |        | 1,12,23,34 | No Connect. No internal connection. Leave pin open or connect to AGND. |

# Complete, 8-Channel, 12-Bit Data-Acquisition Systems



Figure 1. Load Circuits for Access Time



Figure 2. Load Circuits for Bus-Relinquish Time

## A/D Converter Operation

The MAX180/MAX181 use successive approximation and input track-and-hold (T/H) circuitry to convert an analog signal to a series of 12-bit digital output codes. The control logic interfaces easily to  $\mu$ Ps, requiring only a few passive components for most applications. The T/H does not require an external capacitor. Figure 3 shows the MAX180 typical operating circuit.

### Starting a Conversion

Regardless of the mode or interface selected, the following sequence occurs once conversion is started:

1. The data inputs that configure the data-acquisition system (DAS) latch, and the interface signals the  $\mu$ P that a conversion has started.
2. The mux directs the selected input signal to the T/H input.
3. A fixed time delay allows the T/H to acquire the signal. In all modes except asynchronous hold, this delay is 3 clock cycles. In asynchronous hold, the  $\mu$ P controls this delay.
4. The T/H switches to hold mode. The T/H output delivers a stable, single-ended sample of the input signal to the A/D input.
5. The successive approximation cycle begins. The ADC tests and sets each of the 12 bits in turn, from most to least significant. Bit decisions occur on the CLKIN falling edges, for a total of 12 clock cycles.
6. Output data is latched by the output registers, and the interface signals the  $\mu$ P that conversion is complete and data is available.



Figure 3. MAX180 Typical Operating Circuit

# Complete, 8-Channel, 12-Bit Data-Acquisition Systems

MAX180/MAX181

## Analog Input - Track-and-Hold

Figure 4 shows the equivalent input circuit, illustrating the sampling architecture of the ADC's analog comparator. The input capacitance acts as the hold capacitor and is charged by the input signal with every A/D conversion. The capacitance is charged through an internal  $1\text{k}\Omega$  resistor in series with the input. Note: Figure 4's switches represents both the mux and hold switches.



Figure 4. Equivalent Input Circuit

When in single-ended input mode and between conversions ( $BUSY = \text{High}$ ), the selected analog input is connected to the hold capacitor (track mode). When a conversion starts,  $CHOLD$  disconnects from the + T/H input, thus sampling the input (see "Digital Interface" section for precise T/H timing). When the switch closes at conversion end,  $CHOLD$  reconnects to the input and charges to the input signal. The loading effect of the analog inputs on the signal is such that a high-speed input buffer is usually NOT needed because the ADC disconnects from the input during the actual conversion.

The previous explanation applies for the differential input mode if "input" is replaced by  $AIN+$  and "analog ground" is replaced by  $AIN-$ . In the differential input mode,  $A0-A2$  select the input channel pairs (Table 1). Only the signal side of the input channel is held by the T/H; the return side must remain stable within  $\pm 0.5\text{LSB}$  ( $\pm 0.1\text{LSB}$  for best results) during the conversion. For example, a common-mode signal of  $0.33\text{Vp-p}$  at  $60\text{Hz}$  results in a maximum error of  $0.5\text{LSB}$ .

The T/H starts tracking when the ADC is deselected ( $BUSY = \text{High}$ ). Hold mode begins 3 clock cycles after a conversion is initiated in all but the Asynchronous Hold Mode. Variation in hold-mode delay from one conversion to the next (aperture jitter) is less than  $100\text{ps}$ . Figures 7-11 detail the T/H and interface timing for the various interface modes.

The time required for the T/H to acquire an input signal is a function of how quickly the input capacitance is charged. If the input source impedance is high, the acquisition time lengthens and more time must be allowed between conversions. Acquisition time is calculated by:

$$t_{ACQ} = 10(R_S + R_{IN})20\text{pF} \text{ (but never less than } 1.875\mu\text{s)}$$

where  $R_{IN} = 1\text{k}\Omega$ , and  $R_S$  = source impedance of the input signal.

## Input Bandwidth

The A/D's input tracking circuitry is excellent for tracking large signals and wide bandwidths and does not exhibit the slew-rate limitations of many other ADC T/Hs. The MAX180/MAX181 T/H's full-power bandwidth is typically  $6\text{MHz}$ ; this allows the measurement of periodic signals with bandwidths exceeding the ADC's sample rate ( $100\text{kHz}$ ) using under-sampling techniques. Important note: If under-sampling is used to measure high-frequency signals, take special care to avoid aliasing errors. Without adequate input filtering, high-frequency noise could be aliased into the measurement band.

## Reference

The MAX180/MAX181 operate with either the internal reference or an external  $-5\text{V}$  reference. In both cases,  $REFIN$  must be bypassed to  $AGND$  with a  $47\mu\text{F}$  electrolytic capacitor in parallel with a  $0.1\mu\text{F}$  ceramic capacitor to minimize noise and maintain a low impedance at high frequencies.  $REFIN$  is connected directly to the internal DAC, and the current load varies between  $0\text{mA}$  and  $1\text{mA}$  during conversion.

## Internal Reference

The internal reference is buffered through an amplifier whose output connects to  $REFOUT$ . To operate the MAX180/MAX181 with the internal reference, connect  $REFIN$  to  $REFOUT$ . Do not connect a resistor between the bypass capacitors and  $REFIN$ . The reference buffer amplifier can sink  $5\text{mA}$  for external loads. Adjust the reference output at  $REFADJ$  (Figure 14).

## External Reference

With a  $-5\text{V}$  external reference, bypass  $REFIN$  to  $AGND$  with a  $47\mu\text{F}$  electrolytic capacitor in parallel with a  $0.1\mu\text{F}$  ceramic capacitor. The reference source impedance must be less than  $0.2\Omega$  and must be able to sink the internal DAC load of  $1\text{mA}$ . Connect  $REFOUT$  to  $V_{SS}$  and  $REFADJ$  to  $V_{DD}$  to prevent noise. If  $REFIN$  is driven above  $AGND$  during power sequencing, latchup can occur. Connect a Schottky clamp diode (IN5817) to prevent  $REFIN$  from substantially exceeding  $AGND$ .

# Complete, 8-Channel, 12-Bit Data-Acquisition Systems

**Table 1. Address vs. Channel Selection (see Figure 4)**

|               | A2 | A1 | A0 | SE/DIFF | AIN0                        | AIN1 | AIN2 | AIN3 | AIN4 | AIN5 | AIN6 | AIN7 | COM |
|---------------|----|----|----|---------|-----------------------------|------|------|------|------|------|------|------|-----|
| MAX180/MAX181 | 0  | 0  | 0  | 0       | +                           |      |      |      |      |      |      |      | -   |
| MAX180/MAX181 | 0  | 0  | 1  | 0       |                             | +    |      |      |      |      |      |      | -   |
| MAX180/MAX181 | 0  | 1  | 0  | 0       |                             |      | +    |      |      |      |      |      | -   |
| MAX180/MAX181 | 0  | 1  | 1  | 0       |                             |      |      | +    |      |      |      |      | -   |
| MAX180/MAX181 | 1  | 0  | 0  | 0       |                             |      |      |      | +    |      |      |      | -   |
| MAX180/MAX181 | 1  | 0  | 1  | 0       |                             |      |      |      |      | +    |      |      | -   |
| MAX180        | 1  | 1  | 0  | 0       |                             |      |      |      |      |      | +    |      | -   |
| MAX181        | 1  | 1  | 0  | 0       | MUXOUT CONNECTED TO AGND    |      |      |      |      |      |      |      | +,- |
| MAX180        | 1  | 1  | 1  | 0       |                             |      |      |      |      |      |      | +    | -   |
| MAX181        | 1  | 1  | 1  | 0       | CH 0-5, AND MUXOUT ARE OPEN |      |      |      |      |      |      |      | -   |
| MAX180/MAX181 | 0  | 0  | 0  | 1       | +                           | -    |      |      |      |      |      |      |     |
| MAX180/MAX181 | 0  | 0  | 1  | 1       | -                           | +    |      |      |      |      |      |      |     |
| MAX180/MAX181 | 0  | 1  | 0  | 1       |                             |      | +    | -    |      |      |      |      |     |
| MAX180/MAX181 | 0  | 1  | 1  | 1       |                             |      | -    | +    |      |      |      |      |     |
| MAX180/MAX181 | 1  | 0  | 0  | 1       |                             |      |      |      | +    | -    |      |      |     |
| MAX180/MAX181 | 1  | 0  | 1  | 1       |                             |      |      |      | -    | +    |      |      |     |
| MAX180        | 1  | 1  | 0  | 1       |                             |      |      |      |      |      | +    | -    |     |
| MAX180        | 1  | 1  | 1  | 1       |                             |      |      |      |      |      | -    | +    |     |
| MAX181        | 1  | 1  | 0  | 1       | MUXOUT CONNECTED TO AGND    |      |      |      |      |      |      |      | +,- |
| MAX181        | 1  | 1  | 1  | 1       | CH 0-5, AND MUXOUT ARE OPEN |      |      |      |      |      |      |      | -   |



Figure 5. Multiplexer channel configuration



Figure 6. Input/Output Port Mode (12-Bit-Wide Data Bus Shown)



# Complete, 8-Channel, 12-Bit Data-Acquisition Systems

**MAX180/MAX181**

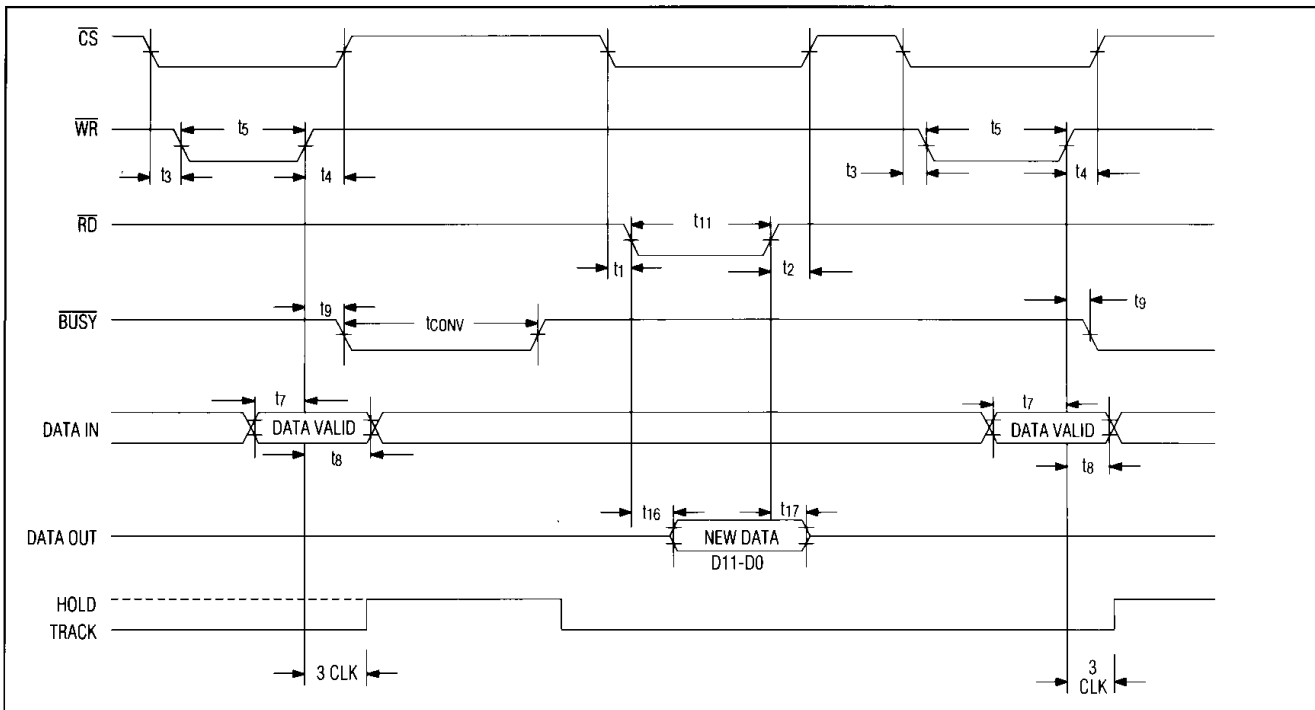


Figure 7a. Input/Output Port-Mode timing, parallel read (MODE = 1, HBEN = 0).

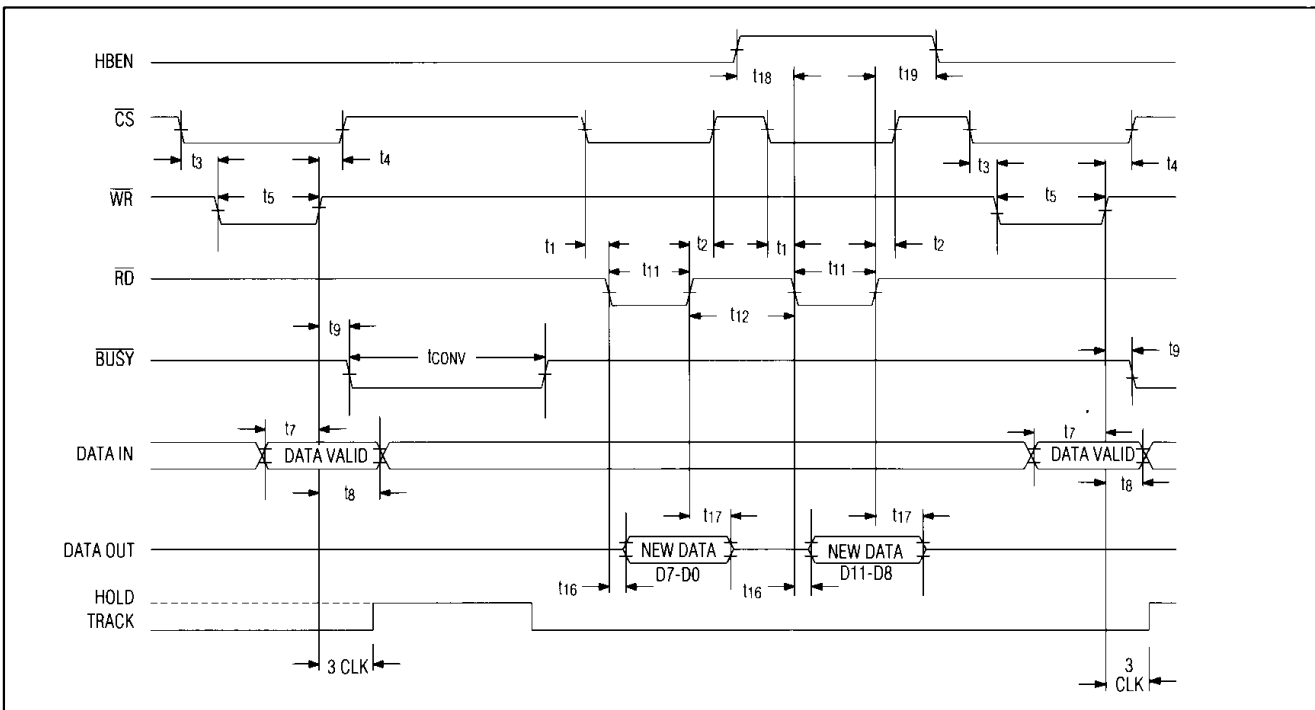


Figure 7b. Input/Output Port-Mode timing, two-byte read (MODE = 1).

# Complete, 8-Channel, 12-Bit Data-Acquisition Systems



Figure 8a. Slow Memory Mode timing, parallel read (MODE = 0, HBEN = 0).



Figure 8b. Slow Memory Mode timing, two-byte read (MODE = 0).

# Complete, 8-Channel, 12-Bit Data-Acquisition Systems

MAX180/MAX181



Figure 9a. ROM Mode timing, parallel read (MODE = 0, HBEN = 0).

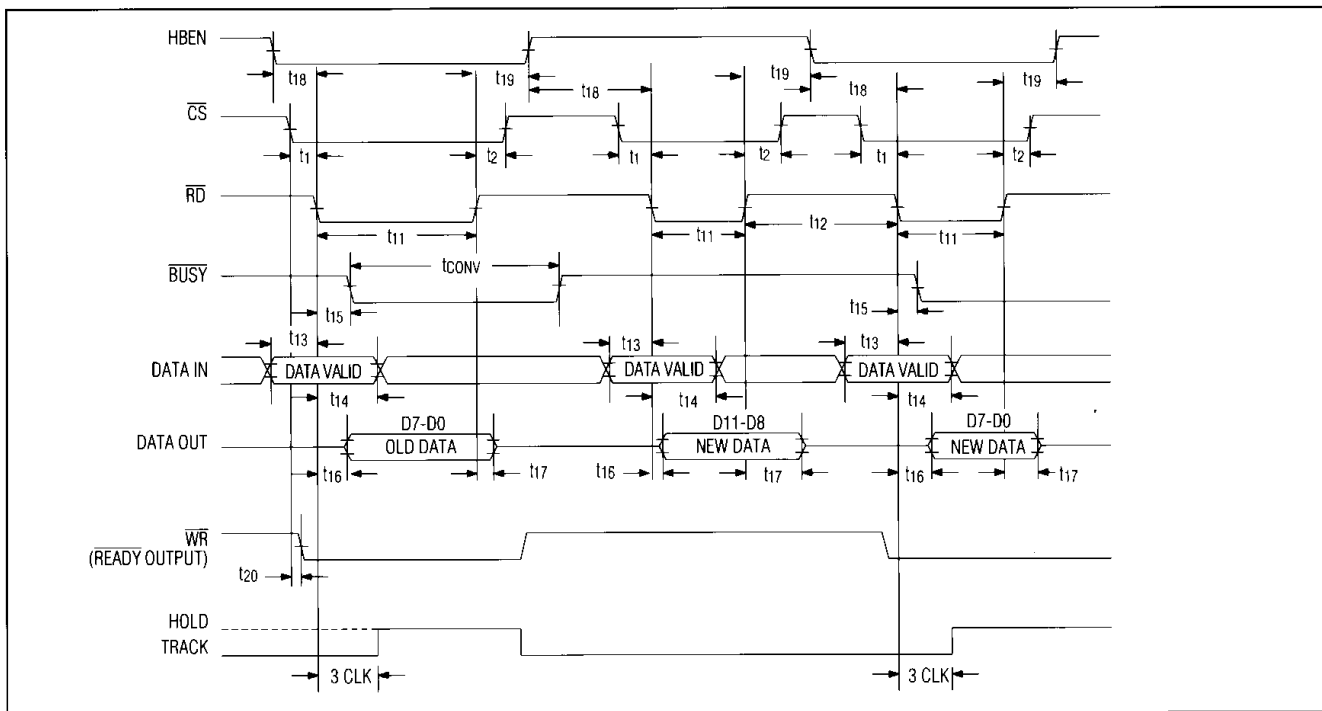


Figure 9b. ROM Mode timing, two-byte read (MODE = 0).

# Complete, 8-Channel, 12-Bit Data-Acquisition Systems



Figure 10a. Asynchronous Hold Mode timing, parallel read (MODE = open circuit)



Figure 10b. Asynchronous Hold Mode timing, two-byte read (MODE = open circuit)

# Complete, 8-Channel, 12-Bit Data-Acquisition Systems

MAX180/MAX181



Figure 11.  $\overline{CS}$ ,  $\overline{RD}$ , or  $\overline{WR}$  to CLK Setup and Hold Time for Synchronous Operation

## Digital Interface

### Input/Output Port Mode (MODE = 1)

In this mode, data inputs and outputs are usually connected together (Figure 6), and the  $\mu\text{P}$  writes the configuration data to the DAS internal register with a write instruction (Figure 7). This starts a conversion, as indicated by the high-to-low transition of  $\overline{BUSY}$ . The mux connects the selected input channel to the T/H, which acquires the signal during the first 3 clock cycles. On the falling edge of the 3rd clock, the T/H switches to hold mode, and the A/D conversion starts. 15 clock cycles after  $\overline{WR}$  goes high,  $\overline{BUSY}$  goes high, and the conversion result latches into three-state output buffers. The  $\mu\text{P}$  can then access the conversion result with a read instruction. For 16-bit bus operation,  $\text{HBEN} = 0$ , and the 12-bit result is read directly. For 8-bit bus operation,  $\text{HBEN} = 0$  during the conversion, and the read instruction returns the 8 LSBs. A second read with  $\text{HBEN} = 1$  returns the 4 MSBs in the low nibble. Note: In any mode,  $\text{HBEN} = 1$  disables conversion start.

The DAS internal register is 5 bits wide: 3 bits for the analog-channel address, 1 bit for single-ended/differential mux operation, and 1 bit for unipolar/bipolar A/D operation.

### Slow Memory Mode (MODE = 0)

The DAS appears to the  $\mu\text{P}$  as memory or as a slow peripheral in memory mode. The 5 configuration bits can be preset by an external data latch, a decoded device address, or any external selection logic. A

read instruction initiates a conversion as shown in Figure 8. In this mode, the  $\overline{WR}$  input functions as the  $\overline{RDY}$  output and goes low when  $\overline{CS}$  goes low.  $\overline{BUSY}$  goes low after  $\overline{RD}$  goes low, indicating the beginning of a signal acquisition cycle, and can be used to place the  $\mu\text{P}$  into a wait state. When the conversion is complete,  $\overline{BUSY}$  releases the  $\mu\text{P}$  from its wait state. The  $\mu\text{P}$  can then access the conversion result with a read instruction. For 16-bit bus operation,  $\text{HBEN} = 0$ , and the 12-bit result is read directly. For 8-bit bus operation,  $\text{HBEN} = 0$  during the conversion, and the read instruction returns the 8 LSBs. A second read with  $\text{HBEN} = 1$  returns the 4 MSBs in the low nibble. Note: In any mode,  $\text{HBEN} = 1$  disables conversion start.

### ROM Mode, Parallel Read (MODE = 0)

ROM mode avoids using  $\mu\text{P}$  wait states. A conversion starts with a read instruction, and the 12 data bits from the previous conversion appear at D11-D0. The data from the first read in a sequence is often disregarded when ROM mode is used. A second read accesses the results of the first conversion and starts a new conversion. The time between successive reads must be longer than the conversion time of the MAX180/MAX181 (Figure 9a, 16-bit bus).

### ROM Mode, 2-Byte Read (MODE = 0)

As in memory mode, only D7-D0 are used for a 2-byte read. A conversion starts with a read instruction when  $\text{HBEN}$  is low. At this point, the data outputs contain the 8 LSBs from the previous conversion. Two more read operations are needed to access the conversion result. The first, with  $\text{HBEN}$  high, accesses the 4 MSBs with 4 leading zeros. The second read, with  $\text{HBEN}$  low, outputs the 8 LSBs and starts a new conversion. Figure 9b (8-bit bus) details this mode.

### Asynchronous Hold Mode (MODE = Open)

Asynchronous hold mode is helpful when a precise or repeatable sample timing is required. Asynchronous hold is very similar to the I/O port mode, except two write instructions are required. The first write, with  $\text{HBEN} = 1$ , configures the MAX180/MAX181 and connects the selected channel to the T/H input; the second write, with  $\text{HBEN} = 0$ , places the T/H into hold and starts the conversion. In other words, the three-clock cycle delay for T/H acquisition can be changed by controlling when the second write instruction occurs. The falling edge of the second  $\overline{WR}$  pulse places the T/H into hold (Figure 10).

# Complete, 8-Channel, 12-Bit Data-Acquisition Systems

## External Clock

The range for the external clock duty cycle is between 20% and 80%. A precise square wave is not required.

## Clock and Control Synchronization

For best analog performance, the MAX180/MAX181 clock should be synchronized to the  $\overline{RD}$ ,  $\overline{WR}$ , and  $\overline{CS}$  inputs (Figure 11) with at least 100ns separating convert start from the nearest clock edge. This synchronization ensures that transitions at CLKIN are not coupled to the analog input and sampled by the T/H. The magnitude of this feedthrough is only a few millivolts. If CLKIN and convert start ( $\overline{CS}$ ,  $\overline{WR}$  and  $\overline{RD}$ ) are asynchronous, frequency components caused by mixing of the clock and convert signals can increase the apparent input noise.

When the clock and convert signals are synchronized, small end-point errors (offset and full-scale) are the most that can be generated by clock feedthrough, but even these errors are eliminated by ensuring that the start of a conversion ( $\overline{RD}$  or  $\overline{WR}$  and  $\overline{CS}$  falling edge) does not occur within 100ns of a clock transition (Figure 11).

## Output Data Format

The 12 data bits can be output either in full parallel or as two 8-bit bytes. Table 2 shows the data-bus output format. To obtain parallel output for 16-bit  $\mu$ Ps, HBEN is tied low. Note: The output data, D11-D0, is right-justified (i.e. D0, the LSB, is the right-most bit in the 16-bit word).

A two-byte read makes use of outputs D7-D0. Byte selection is controlled by HBEN, which multiplexes the data outputs. When HBEN is low, the lower 8 bits appear at the data outputs. When HBEN is high, the upper 4 bits appear at D0-D3 with the leading 4 bits low in locations D4-D7. Note: The 4 MSBs always appear at D11-D8 when the outputs are enabled, regardless of the state of HBEN.

## Application Hints

### Initialization After Power-Up

In some applications, power is removed from the ADC during periods of inactivity to conserve power. This is increasingly common in battery-powered systems. To initialize the MAX180/MAX181 at power-up, execute a read operation with HBEN low, ignoring the data outputs.

### Minimizing System-Induced Noise

The MAX180/MAX181 are insensitive to most noise sources, especially when the layout, bypass, and grounding recommendations are followed. The following practices should also be considered:

1. Minimize digital activity during conversion, especially activity that is asynchronous with the MAX180/MAX181 clock.
2. Avoid data-bus activity within  $\pm 20$ ns of the CLKIN falling edge.

If the data bus connected to the ADC is active during a conversion, coupling from the data pins to the ADC comparator can cause errors. Using slow-memory mode avoids this problem by placing the  $\mu$ P in a wait state during the conversion. In ROM mode, the bus should be isolated from the ADC using three-state drivers if the data bus is active during the conversion.

In ROM mode, the ADC generates considerable digital noise when  $\overline{RD}$  or  $\overline{CS}$  go high and the output data drivers are disabled after conversion start. This noise can affect the ADC comparator and cause large errors if it coincides with the SAR latching a comparator decision. To prevent this,  $\overline{RD}$  and  $\overline{CS}$  should be active for less than one clock cycle. If this is not possible,  $\overline{RD}$  or  $\overline{CS}$  should go high on a rising edge of CLKIN because the comparator output is latched on the falling edge of CLKIN.

**Table 2. Data-Bus Output,  $\overline{CS}$  &  $\overline{RD}$  = LOW**

| DIP Pin #     | Pin 16 | Pin 17 | Pin 18 | Pin 19 | Pin 21 | Pin 22 | Pin 23 | Pin 24 | Pin 25 | Pin 26 | Pin 27 | Pin 28 |
|---------------|--------|--------|--------|--------|--------|--------|--------|--------|--------|--------|--------|--------|
| Pin Label*    | D11    | D10    | D9     | D8     | D7     | D6     | D5     | D4     | D3     | D2     | D1     | D0     |
| HBEN = LOW**  | D11    | D10    | D9     | D8     | D7     | D6     | D5     | D4     | D3     | D2     | D1     | D0     |
| HBEN = HIGH** | D11    | D10    | D9     | D8     | LOW    | LOW    | LOW    | LOW    | D11    | D10    | D9     | D8     |

**Note:** \* D11-D0 are the ADC data output pin names.  
\*\* D11-D0 are the 12-bit conversion results. D11 is the MSB.

# Complete, 8-Channel, 12-Bit Data-Acquisition Systems

MAX180/MAX181

## Layout, Grounding, Bypassing

Use printed circuit boards for best system performance; wire-wrap boards are not recommended. The board layout should ensure that digital- and analog-signal lines are separated as much as possible. Do not run analog and digital (especially clock) lines parallel to one another or digital lines underneath the ADC package.

Figure 12a shows the recommended system-ground connections. A single-point analog STAR ground should be established at AGND, separate from the logic ground. All other analog grounds and DGND should be connected to this STAR ground, and no other digital system grounds should be connected here. For noise-free operation, the ground return to the power supply from this STAR ground should be low impedance and as short as possible.

The ADC's high-speed comparator is sensitive to high-frequency noise in the VDD and VSS power supplies. These supplies should be bypassed to the analog STAR ground with 0.1 $\mu$ F and 47 $\mu$ F bypass capacitors. Minimize capacitor lead length for best supply noise rejection. If the 5V power supply is very noisy, connect a small (10 $\Omega$ ) resistor to filter the noise (Figure 12b).

## Gain and Offset Adjustment

Figure 13 plots the nominal unipolar I/O transfer function of the MAX180/MAX181. Code transitions occur halfway between successive integer LSB values. Output coding for unipolar operation is natural binary with 1LSB = 1.22mV (5V/4096). Figure 14 shows the bipolar-input transfer function, where output coding is twos-complement.



Figure 12a. Recommended Grounding and Ground Plane



Figure 12b. Power-Supply Grounding

\* "Star" ground  
 \*\* R = 10 $\Omega$  optional for filtering a noisy VDD supply.

# Complete, 8-Channel, 12-Bit Data-Acquisition Systems

If offset and gain adjustments are not desired, connect OFFADJ and REFADJ to VDD. Figure 15's circuit provides  $\pm 1.2\%$  ( $\pm 50$  LSBs) of adjustment range for gain and  $\pm 0.44\%$  ( $\pm 18$  LSBs) of adjustment range for offset. This is ideal for applications that require gain (full-scale range) or offset adjustment. If the adjustment inputs are used, bypass to AGND with a  $0.1\mu\text{F}$  capacitor. Offset should be adjusted before gain. For the 0V to 5V input range, apply LSB (0.61mV) to the analog input, and adjust R1 so the digital output code changes between 0000 0000 0000 and 0000 0000 0001. To adjust full scale, apply FS - 1LSB (4.99817V), and adjust R2 until the output code changes between 1111 1111 1110 and 1111 1111 1111. There may be a slight interaction between the adjustments.

To adjust bipolar ( $\pm 2.5$ V) offset, apply LSB (0.61mV) to the analog input, and adjust R1 until the output code switches between 0000 0000 0000 and 0000 0000 0001. For full scale, apply FS - 1LSB (2.49817V) to the input, and adjust R2 so the output code switches between 0111 1111 1110 and 0111 1111 1111 (Figure 15). There may be some interaction between these adjustments. If an external reference is used, adjust gain by varying the value of the reference instead of R2.



Figure 13. MAX180/MAX181 Unipolar Transfer Function

## Dynamic Performance

Wide-bandwidth analog input and 100kHz throughput make the MAX180/MAX181 ideal for wideband-signal processing. To support these and other related applications, fast Fourier transform (FFT) test techniques guarantee the ADC's dynamic frequency response, distortion, and noise at the rated throughput. Specifically, this involves applying a low-distortion sine wave to the ADC input and recording the digital conversion results for a specified time. The data is then analyzed using an FFT algorithm that determines its spectral content. Conversion errors are seen as spectral elements outside of the fundamental input frequency.

ADCs have traditionally been evaluated by specifications such as zero and full-scale error and integral (INL) and differential (DNL) nonlinearity. Such parameters are widely accepted for specifying performance with DC and slowly varying signals, but less useful in signal-processing applications where the ADC's impact on the system transfer function is the main concern. The significance of the various DC parameters does not translate well to the dynamic case, so different tests are required.



Figure 14. MAX180/MAX181 Bipolar Transfer Function



# Complete, 8-Channel, 12-Bit Data-Acquisition Systems

MAX180/MAX181

## Signal-to-Noise Ratio and Effective Number of Bits

Signal-to-noise ratio (SNR) is the ratio between the RMS amplitude of the fundamental frequency to the RMS amplitude of all other ADC spectral components, excluding harmonics. The output band is limited to frequencies above DC and below one-half the ADC sample (conversion) rate. This band includes both distortion and noise components. For this reason, the signal-to-noise and distortion ratio (SINAD) is a better measure of the ADC's performance.

The theoretical minimum ADC noise is caused by quantization error and is a direct result of the ADC's resolution:

$$\text{SNR} = (6.02N + 1.76)\text{dB}$$

where N is the number of bits of resolution. A perfect 12-bit ADC can therefore do no better than 74dB. Figure 16 shows the result of sampling a pure 10kHz sinusoid at a 100kHz rate with the MAX180/MAX181. An output FFT plot shows the relative output amplitude at discrete spectral frequencies (Figure 16).

By transposing the equation that converts resolution to SNR, we can determine the effective resolution (effective number of bits) the ADC provides from the measured SNR:  $N = (\text{SNR} - 1.76)/6.02$ . Figure 17 shows the effective number of bits as a function of the input frequency for the MAX180/MAX181.

## Total Harmonic Distortion

Total harmonic distortion (THD) is the ratio of the RMS sum of all the harmonics (in the frequency band above DC and below one-half the sample rate) to the RMS

amplitude of the fundamental frequency. This is expressed as:

$$\text{THD} = 20\text{Log} \left[ \frac{\sqrt{(V_2^2 + V_3^2 + \dots + V_N^2)}}{V_1} \right]$$

where  $V_1$  is the fundamental RMS amplitude, and  $V_2$  to  $V_N$  are the amplitudes of the 2nd through Nth harmonics.

## Spurious-Free Dynamic Range

Spurious-free dynamic range is the ratio of the fundamental RMS amplitude to the amplitude of the next largest spectral component (in the frequency band above DC and below one-half the sample rate). Usually this peak occurs at some harmonic of the input frequency. But if



Figure 16. FFT Plot for the MAX180/MAX181



Figure 15. Offset and Gain Adjustment



Figure 17. MAX180/MAX181 Effective Bits vs. Input Frequency

# Complete, 8-Channel, 12-Bit Data-Acquisition Systems

## Typical Applications

MAX180/MAX181



Figure 18a. MAX181 operating as a 6-channel programmable gain ADC. Gains are 1, 2, 4, 8, 16, 32, 64, and 128.

# Complete, 8-Channel, 12-Bit Data-Acquisition Systems

**MAX180/MAX181**

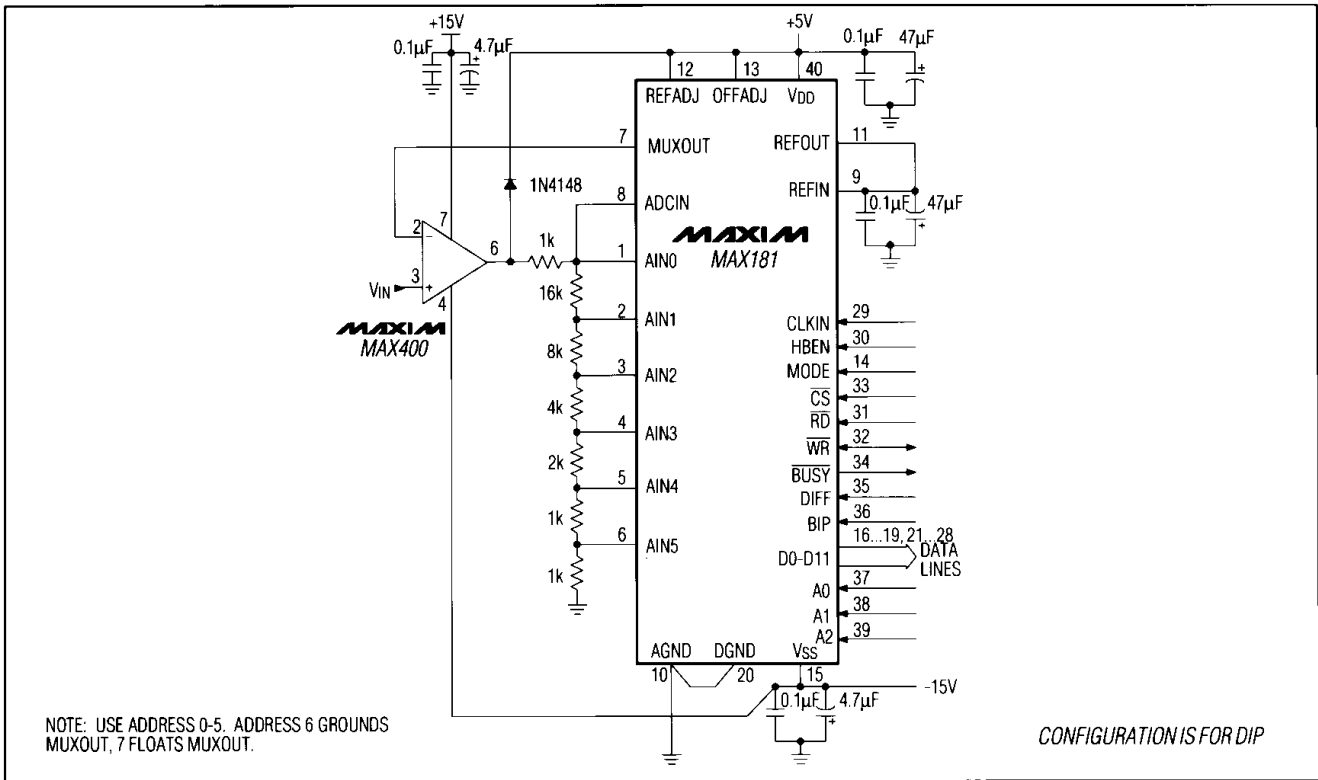
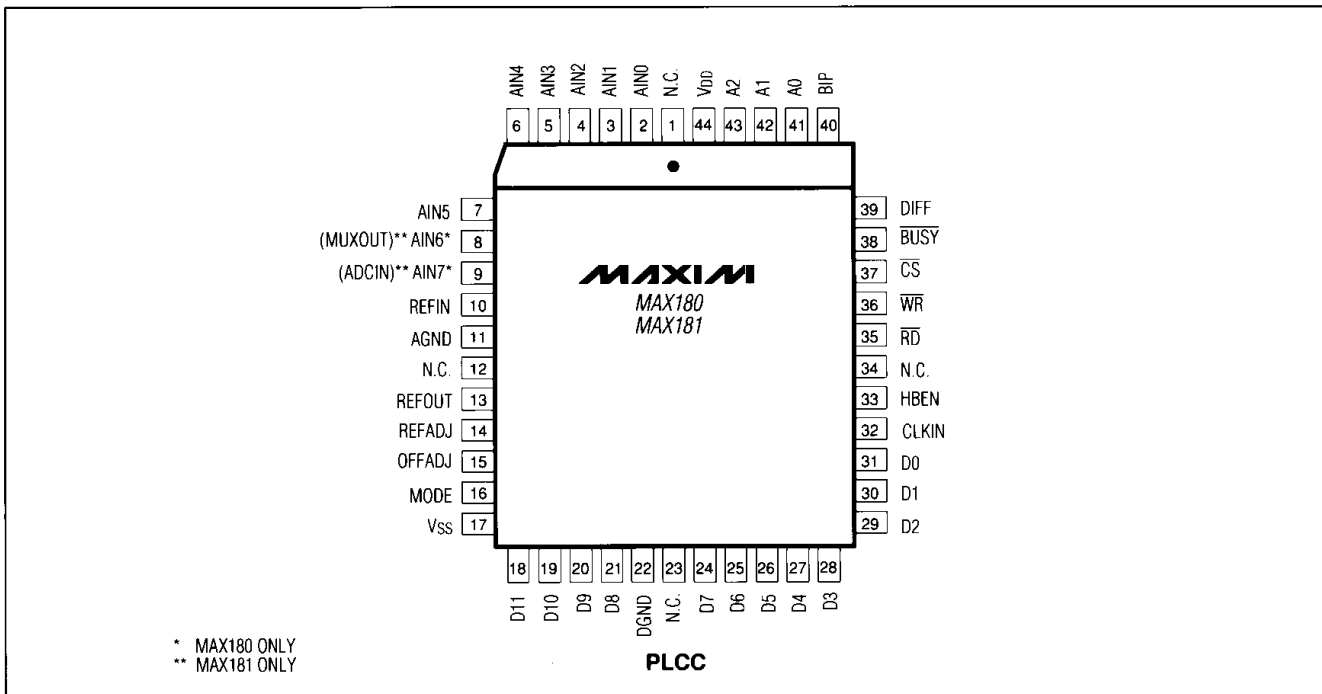


Figure 18b. MAX181 operating as a single-channel programmable gain ADC. Gains are 1, 2, 4, 16, and 32.

## Pin Configurations (continued)



# Complete, 8-Channel, 12-Bit Data-Acquisition Systems

## Ordering Information (continued)

| PART       | TEMP. RANGE     | PIN-PACKAGE    | ERROR (LSBs) |
|------------|-----------------|----------------|--------------|
| MAX180CCQH | 0°C to +70°C    | 44 PLCC        | ±1           |
| MAX180CC/D | 0°C to +70°C    | Dice*          | ±1           |
| MAX180AEPL | -40°C to +85°C  | 40 Plastic DIP | ±1/2         |
| MAX180BEPL | -40°C to +85°C  | 40 Plastic DIP | ±1           |
| MAX180CEPL | -40°C to +85°C  | 40 Plastic DIP | ±1           |
| MAX180AEQH | -40°C to +85°C  | 44 PLCC        | ±1/2         |
| MAX180BEQH | -40°C to +85°C  | 44 PLCC        | ±1           |
| MAX180CEQH | -40°C to +85°C  | 44 PLCC        | ±1           |
| MAX180AMJL | -55°C to +125°C | 40 CERDIP**    | ±1/2         |
| MAX180BMJL | -55°C to +125°C | 40 CERDIP**    | ±1           |
| MAX180CMJL | -55°C to +125°C | 40 CERDIP**    | ±1           |
| MAX181ACPL | 0°C to +70°C    | 40 Plastic DIP | ±1/2         |
| MAX181BCPL | 0°C to +70°C    | 40 Plastic DIP | ±1           |
| MAX181CCPL | 0°C to +70°C    | 40 Plastic DIP | ±1           |
| MAX181ACQH | 0°C to +70°C    | 44 PLCC        | ±1/2         |
| MAX181BCQH | 0°C to +70°C    | 44 PLCC        | ±1           |
| MAX181CCQH | 0°C to +70°C    | 44 PLCC        | ±1           |
| MAX181CC/D | 0°C to +70°C    | Dice*          | ±1           |
| MAX181AEPL | -40°C to +85°C  | 40 Plastic DIP | ±1/2         |
| MAX181BEPL | -40°C to +85°C  | 40 Plastic DIP | ±1           |
| MAX181CEPL | -40°C to +85°C  | 40 Plastic DIP | ±1           |
| MAX181AEQH | -40°C to +85°C  | 44 PLCC        | ±1/2         |
| MAX181BEQH | -40°C to +85°C  | 44 PLCC        | ±1           |
| MAX181CEQH | -40°C to +85°C  | 44 PLCC        | ±1           |
| MAX181AMJL | -55°C to +125°C | 40 CERDIP**    | ±1/2         |
| MAX181BMJL | -55°C to +125°C | 40 CERDIP**    | ±1           |
| MAX181CMJL | -55°C to +125°C | 40 CERDIP**    | ±1           |

\* Contact factory for dice specifications.

\*\* Contact factory for availability and processing to MIL-STD-883.

## Chip Topography



\* MAX180  
\*\* MAX181

Maxim cannot assume responsibility for use of any circuitry other than circuitry entirely embodied in a Maxim product. No circuit patent licenses are implied. Maxim reserves the right to change the circuitry and specifications without notice at any time.

20 Maxim Integrated Products, 120 San Gabriel Drive, Sunnyvale, CA 94086 (408) 737-7600

© 1991 Maxim Integrated Products

Printed USA

MAXIM is a registered trademark of Maxim Integrated Products.

## Данный компонент на территории Российской Федерации

### Вы можете приобрести в компании MosChip.

Для оперативного оформления запроса Вам необходимо перейти по данной ссылке:

<http://moschip.ru/get-element>

Вы можете разместить у нас заказ для любого Вашего проекта, будь то серийное производство или разработка единичного прибора.

В нашем ассортименте представлены ведущие мировые производители активных и пассивных электронных компонентов.

Нашей специализацией является поставка электронной компонентной базы двойного назначения, продукции таких производителей как XILINX, Intel (ex.ALTERA), Vicor, Microchip, Texas Instruments, Analog Devices, Mini-Circuits, Amphenol, Glenair.

Сотрудничество с глобальными дистрибьюторами электронных компонентов, предоставляет возможность заказывать и получать с международных складов практически любой перечень компонентов в оптимальные для Вас сроки.

На всех этапах разработки и производства наши партнеры могут получить квалифицированную поддержку опытных инженеров.

Система менеджмента качества компании отвечает требованиям в соответствии с ГОСТ Р ИСО 9001, ГОСТ РВ 0015-002 и ЭС РД 009

### Офис по работе с юридическими лицами:

105318, г.Москва, ул.Щербаковская д.3, офис 1107, 1118, ДЦ «Щербаковский»

Телефон: +7 495 668-12-70 (многоканальный)

Факс: +7 495 668-12-70 (доб.304)

E-mail: [info@moschip.ru](mailto:info@moschip.ru)

Skype отдела продаж:

moschip.ru

moschip.ru\_4

moschip.ru\_6

moschip.ru\_9