

THE INFORMATION CONTAINED HEREIN IS CONSIDERED "PROPRIETARY" TO BEL FUSE INC. AND SHALL NOT BE COPIED, REPRODUCED OR DISCLOSED WITHOUT THE WRITTEN APPROVAL OF BEL FUSE INC.

| LED1 POLARITY | | | LED2 POLARITY | | |
|---------------|--------|--------|---------------|--------|--------|
| PIN 13 | PIN 14 | COLOR | PIN 15 | PIN 16 | COLOR |
| - | + | YELLOW | + | - | ORANGE |
| | | | - | + | GREEN |

RoHS



ELECTRICAL CHARACTERISTICS @ 25°C

URNS RATIO

| | |
|-----|---------------|
| TP1 | 1CT : 1CT ±2% |
| TP2 | 1CT : 1CT ±2% |
| TP3 | 1CT : 1CT ±2% |
| TP4 | 1CT : 1CT ±2% |

□CL @ 100kHz/100mVRMS

| | |
|------------------|-------------|
| 8mA DC BIAS | 350µH MIN. |
| INS. LOSS | |
| 0.1MHz TO 1MHz | -1.1 dB MAX |
| 1MHz TO 65MHz | -0.5 dB MAX |
| 65MHz TO 100MHz | -0.8 dB MAX |
| 100MHz TO 125MHz | -1.2 dB MAX |

RET. LOSS (MIN)

| | |
|--------------|-----------------------|
| 0.5MHz-40MHz | -18 dB |
| 40MHz-100MHz | -12+20LOG(f/80MHz) dB |

CM TO CM REJ

| | |
|-----------------|------------|
| 100kHz - 100MHz | -30 dB MIN |
|-----------------|------------|

CM TO DM REJ

| | |
|-----------------|------------|
| 100kHz - 100MHz | -35 dB MIN |
|-----------------|------------|

HIPOT (Isolation Voltage): 1500 Vrms
100% OF PRODUCTION TESTED TO COMPLY WITH IEEE 802.3 ISOLATION REQUIREMENTS.

OPERATING TEMPERATURE: -40°C TO +85°C

LED 1

| | | | |
|--------------------------|---------|--------|------------|
| VF (FORWARD VOLTAGE) | IF=20mA | YELLOW | 2.1V TYP. |
| λD (DOMINANT WAVELENGTH) | IF=20mA | YELLOW | 590nm TYP. |

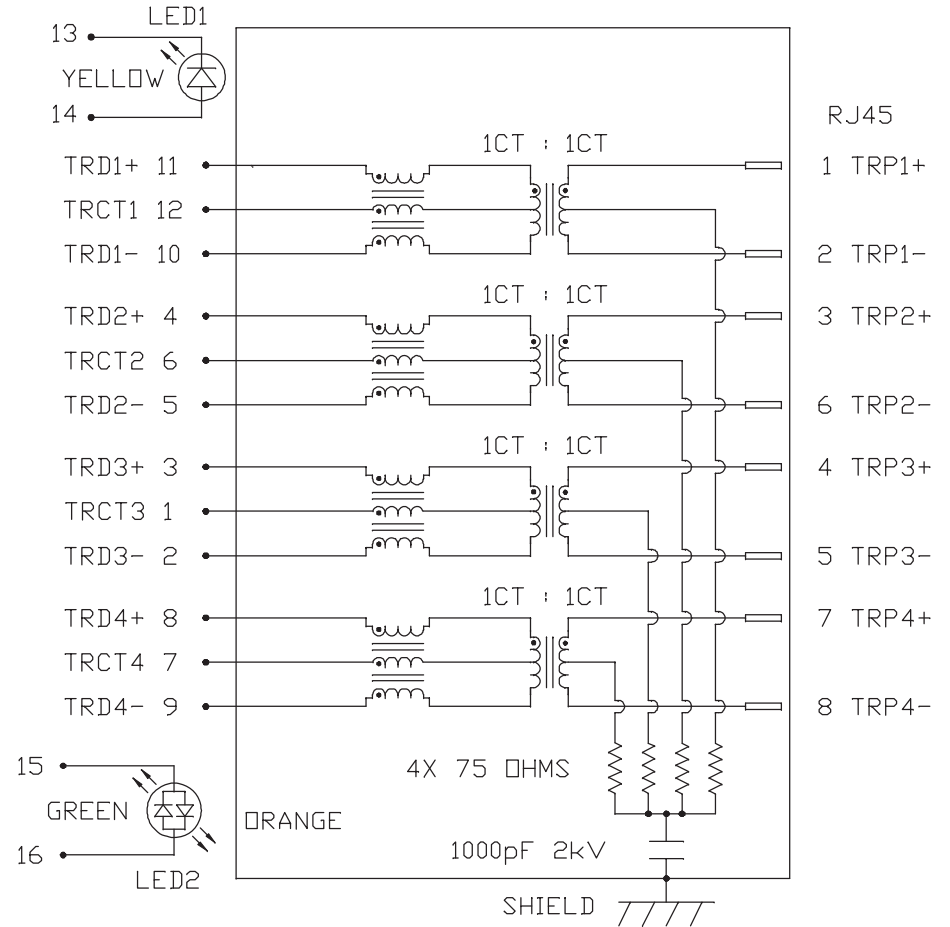
LED 2

| | | | |
|--------------------------|---------|--------|------------|
| VF (FORWARD VOLTAGE) | IF=20mA | GREEN | 2.2V TYP. |
| | | ORANGE | 2.0V TYP. |
| λD (DOMINANT WAVELENGTH) | IF=20mA | GREEN | 570nm TYP. |
| | | ORANGE | 605nm TYP. |

USB ELECTRICAL:

| | |
|--------------------------|------------------|
| INSULATION RESISTANCE: | 1000 MEGA (MIN) |
| CONTACT RESISTANCE: | 25 MILLI Ω (MAX) |
| DIELECTRIC WITHSTANDING: | 750 VAC |

SCHEMATIC



REV. : C PAGE : 2

ORIGINATED BY
CHOW WANCHUNG
DATE 2015-10-13
DRAWN BY
MURPHY LEE
DATE 2015-10-13

TITLE
gigabit MagJack® Combo
(Single USB)
Extended temperature
0821-1X1T-32-F
PATENTED

PART NO. / DRAWING NO.
08211X1T32-F
FILE NAME
08211X1T32-F_C.DWG

STANDARD DIM.
TOL. IN INCH
[] METRIC DIM.
AS REF.
UNIT : INCH [mm]
SCALE : N/A
SIZE : A4

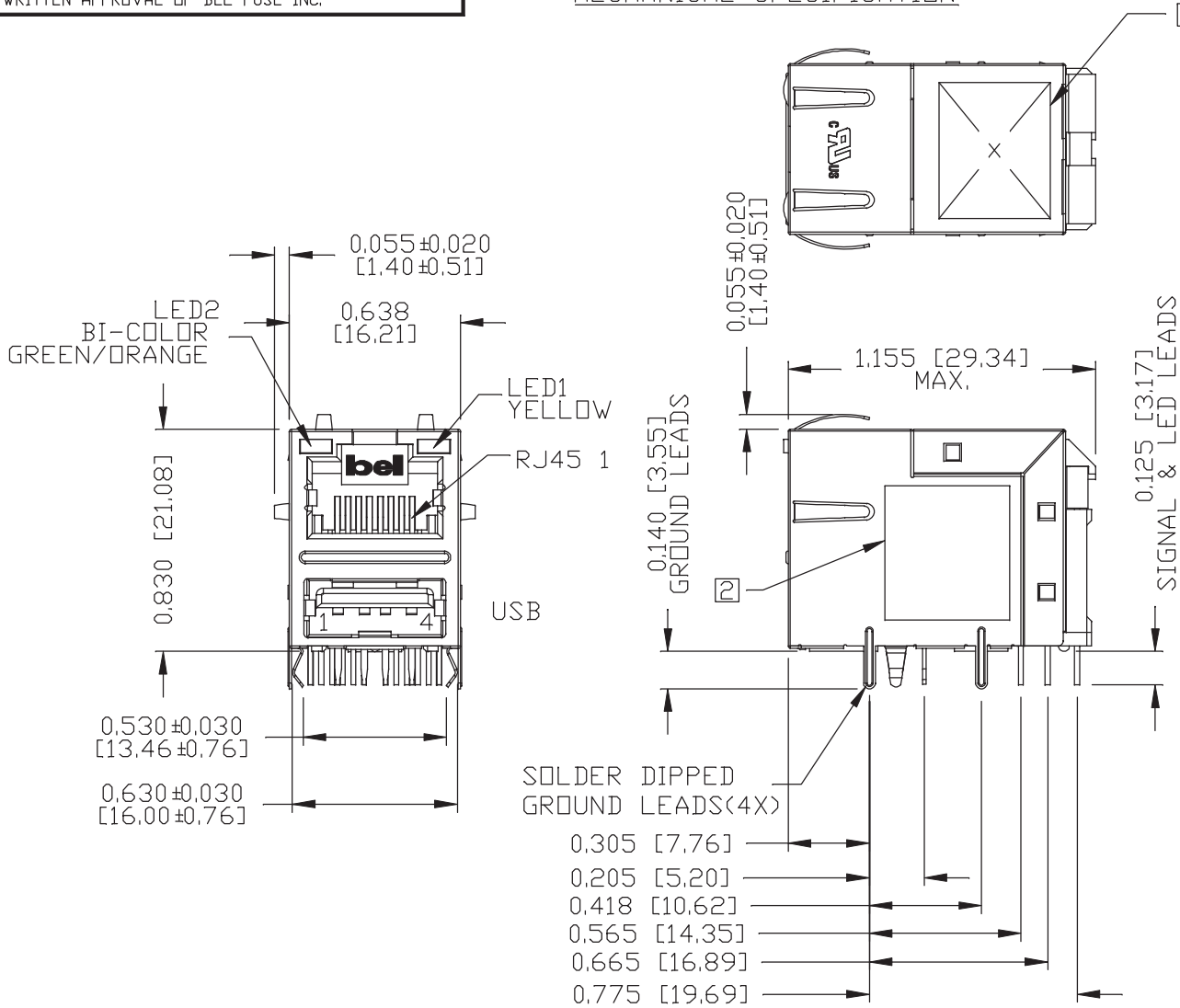


THE INFORMATION CONTAINED HEREIN IS CONSIDERED "PROPRIETARY" TO BEL FUSE INC. AND SHALL NOT BE COPIED, REPRODUCED OR DISCLOSED WITHOUT THE WRITTEN APPROVAL OF BEL FUSE INC.

RoHS



MECHANICAL SPECIFICATION



RJ45 MECHANICAL:

PLASTIC HOUSING: THERMOPLASTIC PBT
 FLAMMABILITY RATING UL 94V-0
 CONTACT PLATING: 30 MICRO-INCH HARD GOLD PLATING OR EQUIVALENT,
 PINS: TIN-COATED COPPER WIRE, DIA 0.018 INCH.
 METAL SHIELD: NICKEL PLATED ON COPPER ALLOY, (ALL GROUND LEADS ARE SOLDER DIPPED)

USB MECHANICAL:

MATING FORCE: 35 NEWTONS MAXIMUM
 UNMATING FORCE: 10 NEWTONS MINIMUM
 CONTACT: PROSPHER BRONZE
 30 MICRO-INCH MIN GOLD PLATING ON CONTACT AREA AND TIN ON SOLDER TAIL.

① MARK PART WITH MFG. LOGO, MFG. NAME, PART NUMBER AND DATE CODE.

UL RECOGNIZED - FILE #E196366 AND E169987.

- ② MARKING "PATENTED".
- THE PRODUCT IS RoHS COMPLIANT.
 - THE PRODUCT IS PATENTED, THE PATENT NUMBER IS U.S. PAT. 7,123,117.

ORIGINATED BY
ANTON LIAO
DATE 2015-10-13
DRAWN BY
JESSE LI
DATE 2015-10-13

TITLE
gigabit MagJack® Combo (Single USB)
Extended temperature
0821-1X1T-32-F
PATENTED

PART NO. / DRAWING NO.
08211X1T32-F
FILE NAME
08211X1T32-F_C.DWG

| STANDARD DIM. TOL. IN INCH | | [] METRIC DIM. AS REF. | |
|----------------------------|--------|-------------------------|--|
| .X | | UNIT : INCH [mm] | |
| .XX | | SCALE : N/A | |
| .XXX | ±0.010 | SIZE : A4 | |

REV. : C PAGE : 3

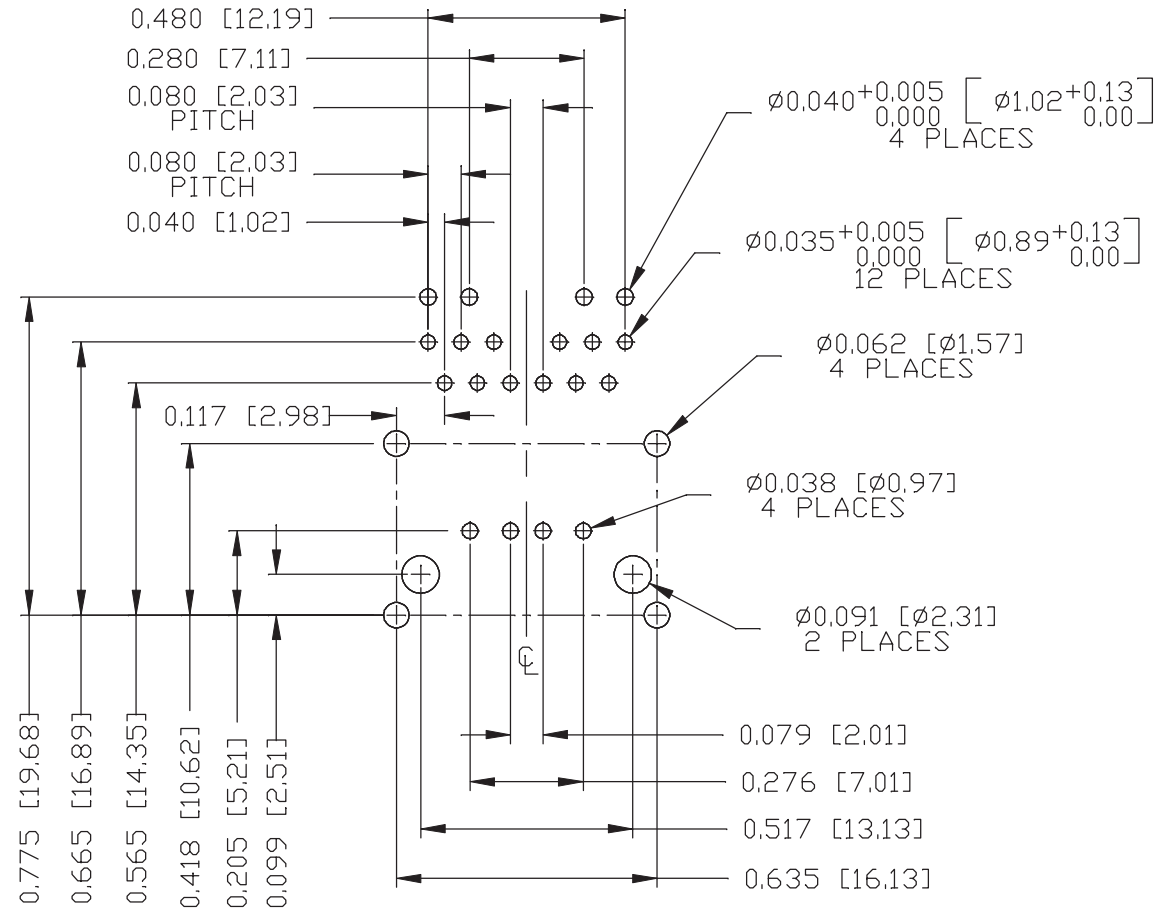
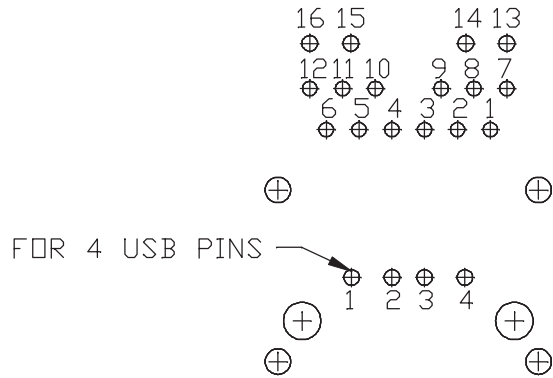


THE INFORMATION CONTAINED HEREIN IS CONSIDERED "PROPRIETARY" TO BEL FUSE INC. AND SHALL NOT BE COPIED, REPRODUCED OR DISCLOSED WITHOUT THE WRITTEN APPROVAL OF BEL FUSE INC.

RoHS



RECOMMENDED PCB FOOTPRINT
COMPONENT SIDE VIEW



REV. : C PAGE : 4

ORIGINATED BY
ANTON LIAO
DATE 2015-10-13
DRAWN BY
JESSE LI
DATE 2015-10-13

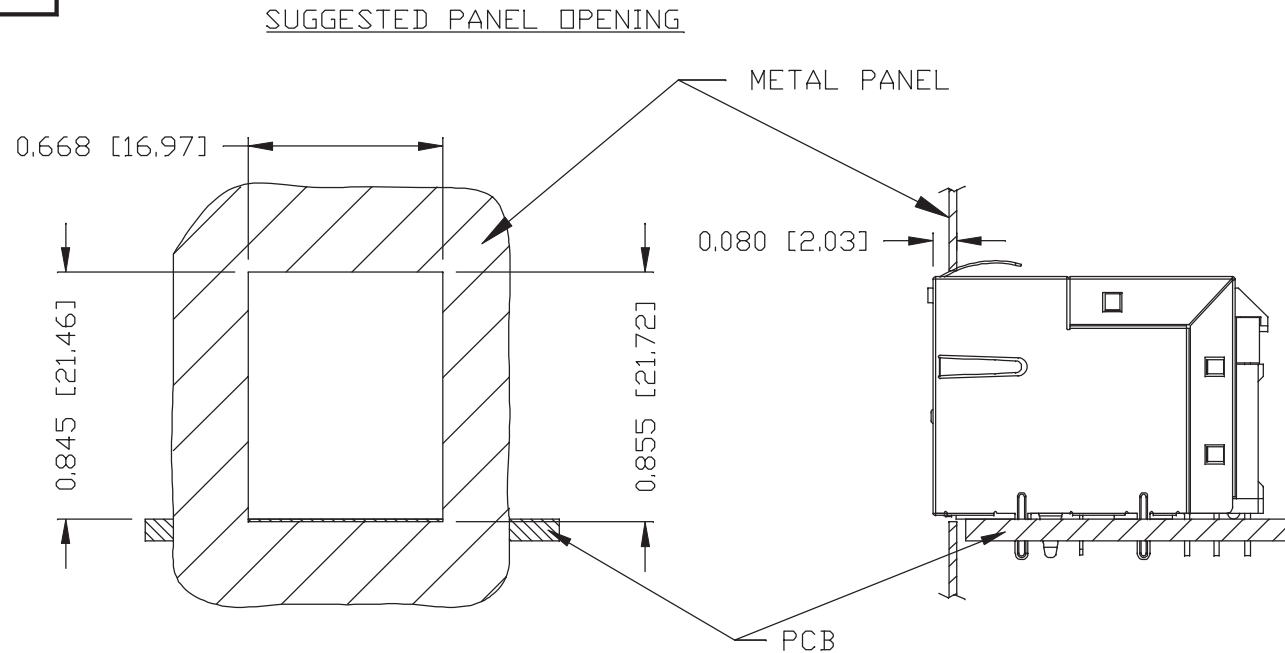
TITLE
gigabit MagJack® Combo
(Single USB)
Extended temperature
0821-1X1T-32-F
PATENTED

PART NO. / DRAWING NO.
08211X1T32-F
FILE NAME
08211X1T32-F_C.DWG

| | |
|-------------------------------|----------------------------|
| STANDARD DIM. TOL. IN INCH | [] METRIC DIM. AS REF. |
| .X | UNIT : INCH [mm] |
| .XX | SCALE : N/A |
| .XXX | SIZE : A4 |



THE INFORMATION CONTAINED HEREIN IS CONSIDERED "PROPRIETARY" TO BEL FUSE INC. AND SHALL NOT BE COPIED, REPRODUCED OR DISCLOSED WITHOUT THE WRITTEN APPROVAL OF BEL FUSE INC.



NOTES:

THE DISTANCE OF PANEL INSIDE SURFACE RELATIVE TO FRONT SURFACE OF PART IS ONLY A SUGGESTION. IN CASE THIS DISTANCE IS DIFFERENT, THE REQUIRED PANEL OPENING DIMENSIONS CHANGE ACCORDINGLY.

PACKING INFORMATION

PACKING TRAY : 0200-0148-48 (TOP)
0200-0148-49 (BOTTOM)

PACKING QUANTITY : 60 PCS FINISHED GOODS PER TRAY
8 TRAYS (480 PCS FINISHED GOODS) PER CARTON BOX

NOTE : CARDBOARDS ARE PLACED BETWEEN LAYERS OF PACKING TRAY INSIDE CARTON BOX
(INCLUDE THE UPPERMOST AND LOWERMOST TRAY)

| | | | |
|--------|---|--------|---|
| REV. : | C | PAGE : | 5 |
|--------|---|--------|---|

| |
|-----------------------------|
| ORIGINATED BY ANTON LIAO |
| DATE 2015-10-13 |
| DRAWN BY JESSE LI |
| DATE 2015-10-13 |

| |
|---|
| TITLE gigabit MagJack® Combo (Single USB) Extended temperature 0821-1X1T-32-F PATENTED |
|---|

| |
|--|
| PART NO. / DRAWING NO. 08211X1T32-F |
| FILE NAME 08211X1T32-F_C.DWG |

| | |
|-------------------------------|----------------------------|
| STANDARD DIM. TOL. IN INCH | [] METRIC DIM. AS REF. |
| .X | UNIT : INCH [mm] |
| .XX | SCALE : N/A |
| .XXX ±0.004 | SIZE : A4 |



Данный компонент на территории Российской Федерации

Вы можете приобрести в компании MosChip.

Для оперативного оформления запроса Вам необходимо перейти по данной ссылке:

<http://moschip.ru/get-element>

Вы можете разместить у нас заказ для любого Вашего проекта, будь то серийное производство или разработка единичного прибора.

В нашем ассортименте представлены ведущие мировые производители активных и пассивных электронных компонентов.

Нашей специализацией является поставка электронной компонентной базы двойного назначения, продукции таких производителей как XILINX, Intel (ex.ALTERA), Vicor, Microchip, Texas Instruments, Analog Devices, Mini-Circuits, Amphenol, Glenair.

Сотрудничество с глобальными дистрибьюторами электронных компонентов, предоставляет возможность заказывать и получать с международных складов практически любой перечень компонентов в оптимальные для Вас сроки.

На всех этапах разработки и производства наши партнеры могут получить квалифицированную поддержку опытных инженеров.

Система менеджмента качества компании отвечает требованиям в соответствии с ГОСТ Р ИСО 9001, ГОСТ РВ 0015-002 и ЭС РД 009

Офис по работе с юридическими лицами:

105318, г.Москва, ул.Щербаковская д.3, офис 1107, 1118, ДЦ «Щербаковский»

Телефон: +7 495 668-12-70 (многоканальный)

Факс: +7 495 668-12-70 (доб.304)

E-mail: info@moschip.ru

Skype отдела продаж:

moschip.ru

moschip.ru_4

moschip.ru_6

moschip.ru_9