

FEATURES

- Single 3.3V or 5V power supply
- Up to 3.2Gbps operation
- Low noise PECL data outputs
- Chatter-free open collector TTL LOS output
- TTL /EN Input
- Differential PECL inputs for data
- Available in a tiny 10-pin (3mm) MSOP and 10-pin (3mm) EPAD-MSOP

APPLICATIONS

- 1.25Gbps and 2.5Gbps Gigabit Ethernet
- 531Mbps, 1062Mbps and 2.12Gbps Fibre Channel
- 622Mbps SONET
- Gigabit interface converter
- 2.5Gbps SDH/SONET
- 2.5Gbps proprietary links
- Parallel 10G Ethernet

DESCRIPTION

The SY88923AV limiting post amplifier with its high gain and wide bandwidth is ideal for use as a post amplifier in fiber-optic receivers with data rates up to 3.2Gbps. Signals as small as $5mV_{PP}$ can be amplified to drive devices with PECL inputs. The SY88923AV generates a chatter-free Loss-of-Signal (LOS) open collector TTL output.

The SY88923AV incorporates a programmable level detect function to identify when the input signal has been lost. The LOS output will change from logic "LOW" to logic "HIGH" when input signal is smaller than the swing set by LOS_{LVL} . This information can be fed back to the EN input of the device to maintain stability under loss-of-signal condition. Using LOS_{LVL} pin, the sensitivity of the level detection can be adjusted. The LOS_{LVL} voltage can be set by connecting a resistor divider between V_{CC} and V_{REF} shown in Figure 3. "Typical Operating Characteristics" on page 6 show the relationship between input level sensitivity and the voltage set on LOS_{LVL} .

The LOS output is a TTL open collector output that requires a pull-up resistor for proper operation, Figure 1.

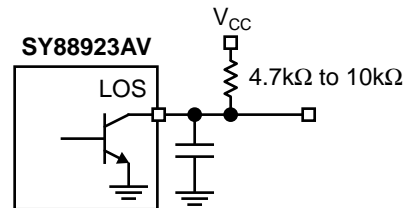
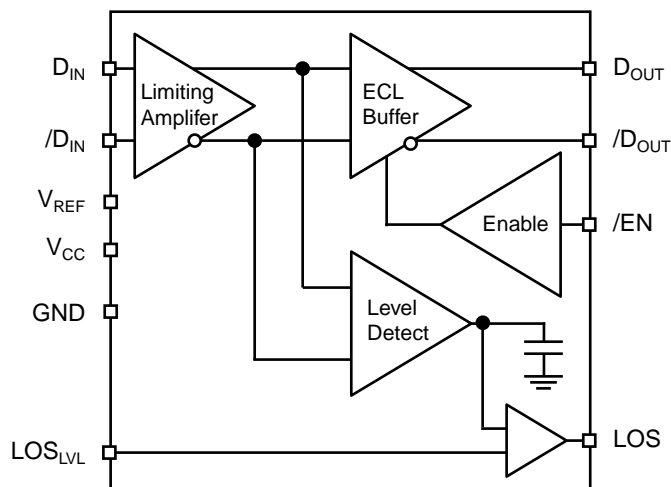
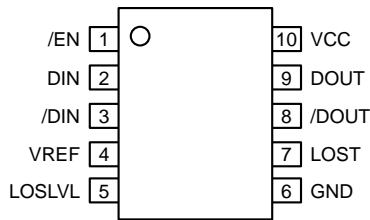


Figure 1. LOS Output with Desired Rise Time

BLOCK DIAGRAM



PACKAGE/ORDERING INFORMATION



10-Pin MSOP (K10-1)
10-Pin EPAD-MSOP (K10-2)

Ordering Information⁽¹⁾

Part Number	Package Type	Operating Range	Package Marking	Lead Finish
SY88923AVKC	K10-1	Commercial	923AV	Sn-Pb
SY88923AVKCTR ⁽²⁾	K10-1	Commercial	923AV	Sn-Pb
SY88923AVEC	K10-2	Commercial	923AV	Sn-Pb
SY88923AVECTR ⁽²⁾	K10-2	Commercial	923AV	Sn-Pb
SY88923AVKG ⁽³⁾	K10-1	Industrial	923AV with Pb-free bar-line indicator	NiPdAu Pb-Free
SY88923AVKGTR ^(2, 3)	K10-1	Industrial	923AV with Pb-free bar-line indicator	NiPdAu Pb-Free
SY88923AVEY ⁽³⁾	K10-2	Industrial	923AV with Pb-free bar-line indicator	Matte-Sn Pb-Free
SY88923AVEYTR ^(2, 3)	K10-2	Industrial	923AV with Pb-free bar-line indicator	Matte-Sn Pb-Free

Notes:

1. Contact factory for die availability. Dice are guaranteed at $T_A = 25^\circ\text{C}$, DC Electricals only.
2. Tape and Reel.
3. Pb-Free package is recommended for new designs.

PIN DESCRIPTION

Pin Number MSOP	Pin Number EPAD-MSOP	Pin Name	Type	Pin Function
1	1	/EN	TTL Input	Output Enable (Active Low).
2	2	DIN	Data Input	Data Input.
3	3	/DIN	Data Input	Inverting Data Input.
4	4	VREF	Output	Reference Voltage Output for LOS Level Set (see Figure 3).
5	5	LOSLVL	Input	LOS Limit Set.
6	6, (Exposed Pad)	GND	Ground	Ground. Exposed pad must be connected to PCB ground plane.
7	7	LOS	TTL Output (Open Collector)	Loss of Signal Indicator (Active High).
8	8	/DOUT	PECL Output	Inverting Data Output.
9	9	DOUT	PECL Output	Data Output.
10	10	VCC	Power Supply	Positive Power Supply.

Absolute Maximum Ratings⁽¹⁾

Power Supply Voltage (V_{CC}) 0V to +7.0V

Input Voltage
 (D_{IN} , $/D_{IN}$) 0V to V_{CC}
 ($/EN$) 0V to V_{CC}
 (LOS_{LVL}) 0V to V_{CC}

Output Voltage (with 50Ω load)
 (D_{OUT} , $/D_{OUT}$) $V_{CC} - 2.5V$ to $V_{CC} + 0.3V$
 (V_{REF}) $V_{CC} - 2.0V$ to V_{CC}

Lead Temperature (soldering, 20 sec.) 260°C

Storage Temperature (T_S) -55°C to +125°C

Operating Ratings⁽²⁾

Supply Voltage (V_{CC}) +3.0V to +5.5V

Ambient Temperature (T_A) -40°C to +85°C

Package Thermal Resistance
 MSOP (θ_{JA})
 Still-Air 113°C/W

EPAD-MSOP (θ_{JA})
 Still-Air 38°C/W

DC ELECTRICAL CHARACTERISTICS⁽³⁾

$V_{CC} = +5V \pm 10\%$ or $+3.3V \pm 10\%$; $R_L = 50\Omega$ to $V_{CC} - 2V$; $T_A = -40^\circ C$ to $+85^\circ C$; unless otherwise noted.

Symbol	Parameter	Condition	Min	Typ	Max	Units
I_{CC}	Power Supply Current	No output load		38	60	mA
		$V_{CC} = 5V \pm 10\%$, $V_{CC} = 3.3V \pm 10\%$		35	53	mA
I_{IL}	$/EN$ Input LOW Current	$V_{IN} = 0.5V$	-0.3			mA
I_{IH}	$/EN$ Input HIGH Current	$V_{IN} = 2.7V$ $V_{IN} = V_{CC}$			20 100	μA μA
V_{CMR}	Common Mode Range		GND +2.0		V_{CC}	V
V_{offset}	Differential Output Offset				± 80	mV
LOS_{LVL}	LOS_{LVL} Level		V_{REF}		V_{CC}	V
V_{OL}	LOS Output LOW Level	$I_{OL} = +2mA$			0.5	V
I_{OH}	LOS Output Leakage	$V_{OH} = 5.5V$			100	μA
V_{OH}	D_{OUT} and $/D_{OUT}$ Output HIGH Voltage		$V_{CC} - 1085$	$V_{CC} - 955$	$V_{CC} - 880$	mV
V_{OL}	D_{OUT} and $/D_{OUT}$ Output LOW Voltage		$V_{CC} - 1830$	$V_{CC} - 1705$	$V_{CC} - 1555$	mV
V_{REF}	Reference Supply		$V_{CC} - 1.38$	$V_{CC} - 1.32$	$V_{CC} - 1.26$	V
I_{REF}	V_{REF} Output Current		-0.8		0.5	mA
V_{IH}	$/EN$ Input HIGH Voltage		2.0			V
V_{IL}	$/EN$ Input LOW Voltage				0.8	V

Notes:

1. Permanent device damage may occur if absolute maximum ratings are exceeded. This is a stress rating only and functional operation is not implied at conditions other than those detailed in the operational sections of this data sheet. Exposure to absolute maximum rating conditions for extended periods may affect device reliability.
2. The data sheet limits are not guaranteed if the device is operated beyond the operating ratings.
3. The device is guaranteed to meet the DC specifications, shown in the table above, after thermal equilibrium has been established. The device is tested in a socket such that transverse airflow of ≥ 500 fpm is maintained.

AC ELECTRICAL CHARACTERISTICS

$V_{CC} = +5V \pm 10\%$ or $+3.3V \pm 10\%$; $R_L = 50\Omega$ to $V_{CC} - 2V$; $T_A = -40^\circ C$ to $+85^\circ C$; unless otherwise noted.

Symbol	Parameter	Condition	Min	Typ	Max	Units
V_{ID}	Input Voltage Range		5		1800	mV _{PP}
V_{OD}	Differential Output Voltage Swing	Note 4 $V_{ID} = 15mV_{PP}$ $V_{ID} = 5mV_{PP}$		1400 600		mV _{PP} mV _{PP}
t_{ON}	LOS Assert Time	Note 5		0.2	0.5	μs
t_{OFF}	LOS Release Time	Note 5		0.1	0.5	μs
V_{SR}	LOS Sensitivity Range	2 ²³ -1 pattern	5		50	mV _{PP}
HYS	LOS Hysteresis	2 ²³ -1 pattern	2	4.6	8	dB
t_r, t_f	Output Rise/Fall Time	$V_{ID} > 100mV_{PP}$ $V_{ID} < 100mV_{PP}$		115 t_{rin}, t_{fin}	150	ps

Notes:

4. Input is a 200MHz square wave, $t_r < 300ps$.
5. Input is a 200MHz square wave, $t_r < 300ps$, $1.8V_{PP}$.

GENERAL DESCRIPTION

General

The SY88923AV is an integrated limiting amplifier intended for high-frequency fiber-optic applications. The circuit connects to typical trans-impedance amplifiers found within a fiber-optics link. The linear signal output from a trans-impedance amplifier can contain significant amounts

of noise, and may vary in amplitude over time. The SY88923AV limiting amplifier quantizes the signal and outputs a voltage-limited waveform.

The /EN pin allows the user to disable the output signal without removing the input signal.

DESIGN PROCEDURE

Output Termination

The SY88923AV outputs must be terminated with a 50Ω load to V_{CC} - 2V (or Thevenin equivalent).

Layout and PCB Design

Since the SY88923AV is a high-frequency component, performance can largely be determined by board layout and design. A common problem with high-gain amplifiers is feedback from the large swing outputs to the input via the power supply.

The SY88923AV ground pin should be connected to the circuit board ground. Use multiple PCB vias close to the part to connect to ground. Avoid long, inductive runs which can degrade performance.

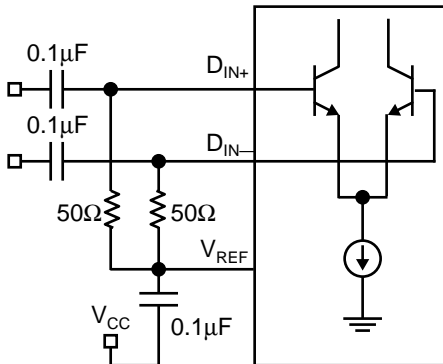


Figure 2. Differential Input Configuration

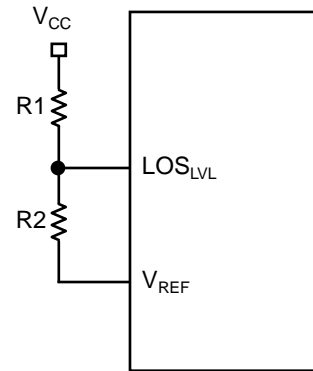
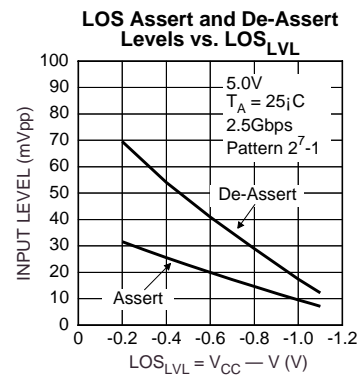
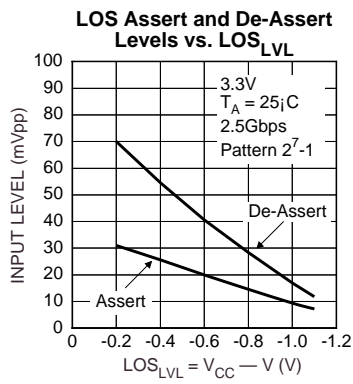
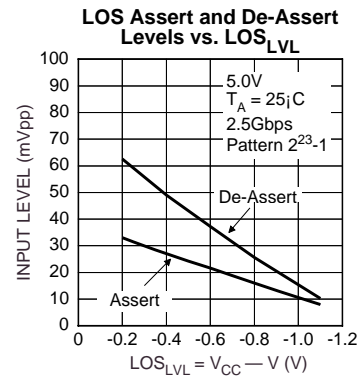
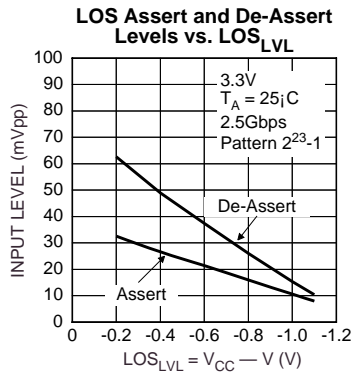


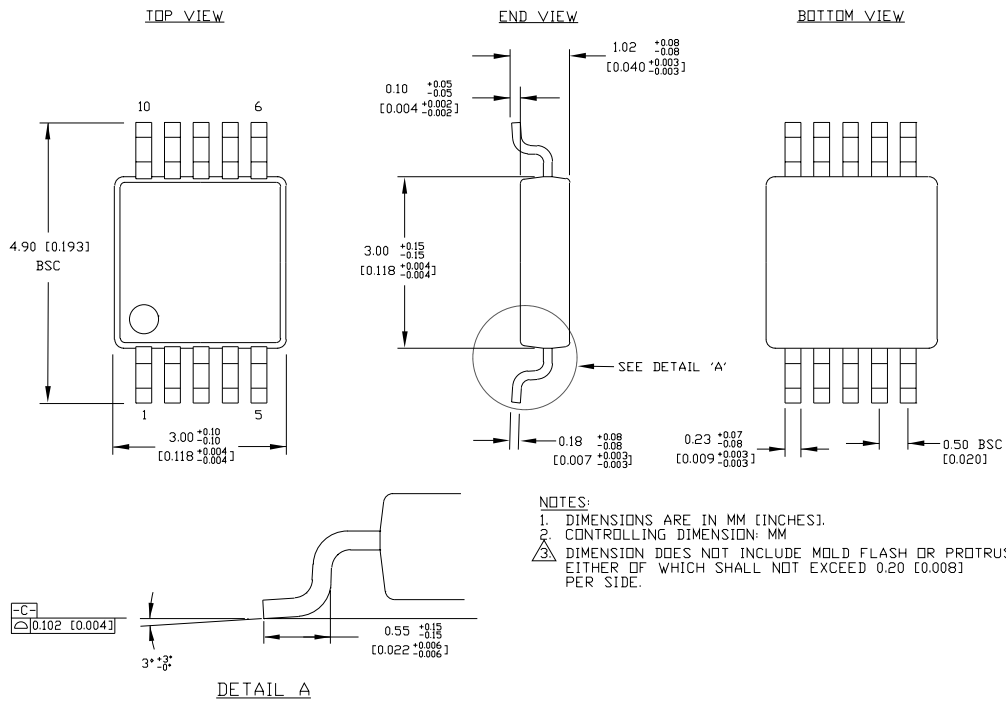
Figure 3. LOS_{LVL} Circuit

Note 1. $LOS_{LVL} = V_{CC} - 1.32V + \frac{R2 \times 1.32V}{R1 + R2}$
 $R1 + R2 \geq 2.6k\Omega$

TYPICAL OPERATING CHARACTERISTICS

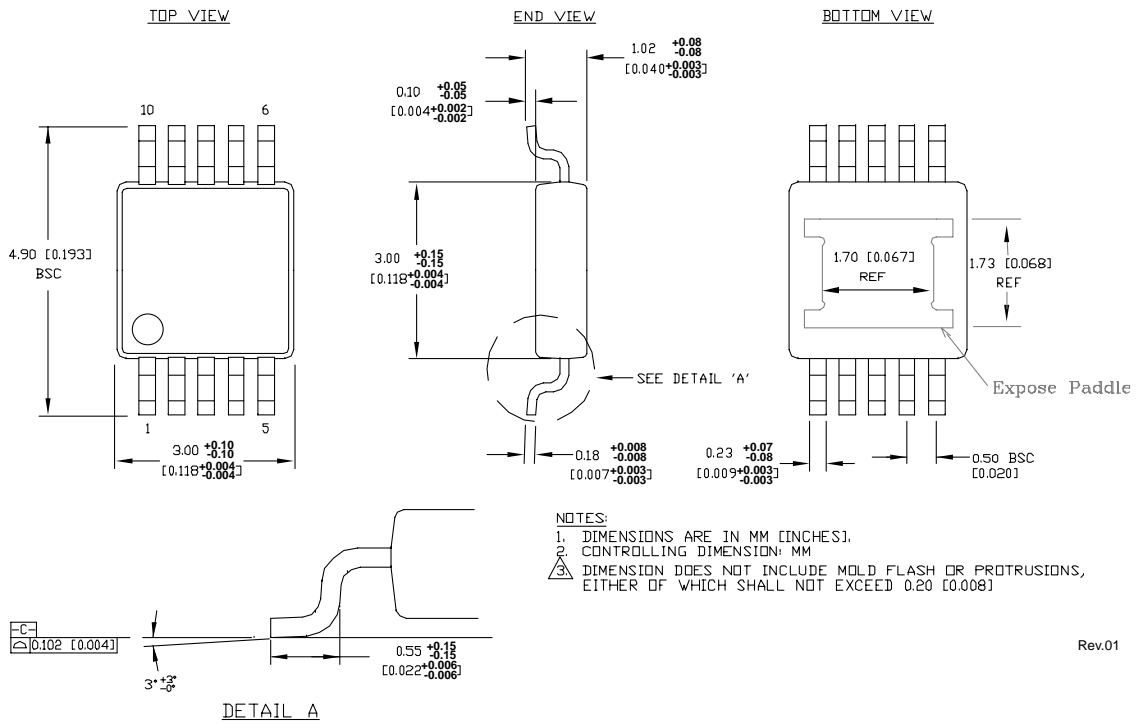


10-PIN MSOP (K10-1)



Rev. 00

10-PIN EPAD-MSOP (K10-2)



Rev.01

MICREL, INC. 2180 FORTUNE DRIVE SAN JOSE, CA 95131 USA

TEL + 1 (408) 944-0800 FAX + 1 (408) 474-1000 WEB <http://www.micrel.com>

The information furnished by Micrel in this datasheet is believed to be accurate and reliable. However, no responsibility is assumed by Micrel for its use. Micrel reserves the right to change circuitry and specifications at any time without notification to the customer.

Micrel Products are not designed or authorized for use as components in life support appliances, devices or systems where malfunction of a product can reasonably be expected to result in personal injury. Life support devices or systems are devices or systems that (a) are intended for surgical implant into the body or (b) support or sustain life, and whose failure to perform can be reasonably expected to result in a significant injury to the user. A Purchaser's use or sale of Micrel Products for use in life support appliances, devices or systems is at Purchaser's own risk and Purchaser agrees to fully indemnify Micrel for any damages resulting from such use or sale.

© 2005 Micrel, Incorporated.

Данный компонент на территории Российской Федерации

Вы можете приобрести в компании MosChip.

Для оперативного оформления запроса Вам необходимо перейти по данной ссылке:

<http://moschip.ru/get-element>

Вы можете разместить у нас заказ для любого Вашего проекта, будь то серийное производство или разработка единичного прибора.

В нашем ассортименте представлены ведущие мировые производители активных и пассивных электронных компонентов.

Нашей специализацией является поставка электронной компонентной базы двойного назначения, продукции таких производителей как XILINX, Intel (ex.ALTERA), Vicor, Microchip, Texas Instruments, Analog Devices, Mini-Circuits, Amphenol, Glenair.

Сотрудничество с глобальными дистрибьюторами электронных компонентов, предоставляет возможность заказывать и получать с международных складов практически любой перечень компонентов в оптимальные для Вас сроки.

На всех этапах разработки и производства наши партнеры могут получить квалифицированную поддержку опытных инженеров.

Система менеджмента качества компании отвечает требованиям в соответствии с ГОСТ Р ИСО 9001, ГОСТ РВ 0015-002 и ЭС РД 009

Офис по работе с юридическими лицами:

105318, г.Москва, ул.Щербаковская д.3, офис 1107, 1118, ДЦ «Щербаковский»

Телефон: +7 495 668-12-70 (многоканальный)

Факс: +7 495 668-12-70 (доб.304)

E-mail: info@moschip.ru

Skype отдела продаж:

moschip.ru

moschip.ru_4

moschip.ru_6

moschip.ru_9