

Type 168/185 Metallized Polyester Radial Lead Capacitors

Radial Box Metallized Polyester Capacitors for Automatic Insertion



The Type 168/185 series radial lead metallized polyester box capacitors are available in bulk (Type 168) or on ammo pack or tape and reel (Type 185). These capacitors are constructed in rugged rectangular plastic cases and all come with 5.0 mm (0.197") lead spacing. They are good for general purpose applications such as bypass, decoupling, energy storage/discharge and arc suppression.

Highlights

- Case and epoxy fill meets UL94V-0
- 5.0 mm (0.197") lead spacing
- Bulk, tape and reel or ammo pack
- Non-inductively wound
- Non-polar
- Low leakage
- Lead material: Tinned copper wire

Specifications

RoHS Compliant

Capacitance Range: 0.001 μF to 1.0 μF

Voltage Range: 50 Vdc to 400 Vdc (30 Vac to 200 Vac, 60 Hz)

Capacitance Tolerance: $\pm 5\%$, $\pm 10\%$, $\pm 20\%$

Operating Temperature Range: $-55\text{ }^{\circ}\text{C}$ to $+125\text{ }^{\circ}\text{C}$ (with 50% Vdc derating $>85\text{ }^{\circ}\text{C}$)

Dielectric Withstand Voltage: 1.6 x rated voltage for 2 sec @ $+25\text{ }^{\circ}\text{C} \pm 5\text{ }^{\circ}\text{C}$

Dissipation Factor (DF): $\tan\delta \times 10^{-4}$ at $25\text{ }^{\circ}\text{C} \pm 5\text{ }^{\circ}\text{C}$

| kHz | C $\leq 0.1\ \mu\text{F}$ | C $> 0.1\ \mu\text{F}$ |
|-----|---------------------------|------------------------|
| 1 | ≤ 100 | ≤ 100 |
| 10 | ≤ 150 | ≤ 150 |
| 100 | ≤ 300 | |

Total Self Inductance (L): Approximately 7 nH

Long Term Stability (after two years): Capacitance change $\Delta\text{C}/\text{C} \leq \pm 3\%$ under standard environmental conditions

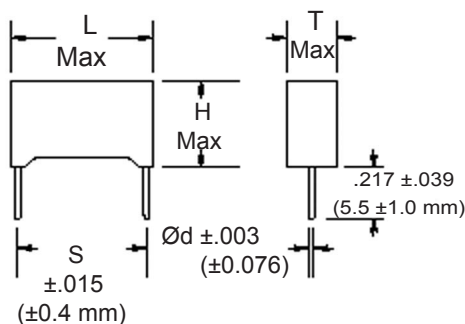
Maximum Pulse Rise Time (dv/dt):

| Vn | V/ μs |
|-----|------------------|
| 50 | 250 |
| 63 | 250 |
| 100 | 300 |
| 250 | 400 |
| 400 | 600 |

If the working voltage (V) is less than the nominal voltage (Vn), the capacitor can work at higher dv/dt. In this case, the maximum value allowed is obtained by multiplying the above value with the ratio Vn/V.

Type 168/185 Metallized Polyester Radial Lead Capacitors

Capacitor Outline Drawing



Lead length shown is as supplied on the 168 Series

| Soldering | |
|--------------------------|----------------------------------|
| Test Conditions | |
| Soldering Temperature: | 260 °C ±5 °C |
| Soldering Duration: | 10 sec ±1 sec |
| Performance | |
| Capacitance Change ΔC/C: | ≤ ±2% |
| DF Change Δtgδ: | ≤30 x 10 ⁻⁴ at 10 kHz |
| Insulation Resistance: | ≥ limit value |

Test Method and Performance

| Insulation Resistance | |
|--------------------------|---|
| Test Conditions | |
| Temperature: | 25 °C ±5 °C |
| Voltage Charge Time: | 1 minute |
| Voltage Charge: | 10 Vdc for Vn < 100 Vdc 100 Vdc for Vn ≥ 100 Vdc |
| Performance | |
| For Vn > 100 Vdc: | C ≤ 0.33 μF, ≥15,000 MΩ C > 0.33 μF, ≥ 5,000 S |
| For Vn ≤100 Vdc: | C ≤ 0.33 μF, 30,000 MΩ C > 0.33 μF, ≥ 10,000 S |
| Damp Heat Test | |
| Test Conditions | |
| Temperature: | +40 °C |
| Relative Humidity: | 95% |
| Test Duration: | 21 days |
| Performance | |
| Capacitance Change ΔC/C: | ±5% |
| DF Change Δtgδ: | ≤ 0.005 (10 KHz) |
| Insulation Resistance: | ≥ 50% of limit value |
| Life Test | |
| Test Conditions | |
| Temperature: | +85 °C |
| Test Duration: | 2000 hrs |
| Voltage Applied: | 1.25 x Vn |
| Performance | |
| Capacitance Change ΔC/C: | ≤ ±2% |
| DF Change Δtgδ: | ≤30 x 10 ⁻⁴ at 10 kHz |
| Insulation Resistance: | ≥ 50% of limit value |

Ratings

| Catalog Part Number | Tape & Reel Ammo Pack | Cap (μF) | Inches | | | | | Millimeters | | | | |
|------------------------|-----------------------|----------|--------|-------|-------|-------|-------|-------------|-----|------|-----|-----|
| | | | L | T | H | S | Ød | L | T | H | S | Ød |
| 50 Vdc / 30 Vac | | | | | | | | | | | | |
| 168104*50A-F | 185104*50#A>-F | 0.10 | 0.283 | 0.098 | 0.256 | 0.197 | 0.020 | 7.2 | 2.5 | 6.5 | 5.0 | 0.5 |
| 168154*50A-F | 185154*50#A>-F | 0.15 | 0.283 | 0.098 | 0.256 | 0.197 | 0.020 | 7.2 | 2.5 | 6.5 | 5.0 | 0.5 |
| 168224*50C-F | 185224*50#C>-F | 0.22 | 0.283 | 0.138 | 0.295 | 0.197 | 0.020 | 7.2 | 3.5 | 7.5 | 5.0 | 0.5 |
| 168334*50C-F | 185334*50#C>-F | 0.33 | 0.283 | 0.138 | 0.295 | 0.197 | 0.020 | 7.2 | 3.5 | 7.5 | 5.0 | 0.5 |
| 168474*50H-F | 185474*50#H>-F | 0.47 | 0.283 | 0.138 | 0.295 | 0.197 | 0.020 | 7.2 | 3.5 | 7.5 | 5.0 | 0.5 |
| 168684*50F-F | 185684*50#F>-F | 0.68 | 0.283 | 0.236 | 0.433 | 0.197 | 0.024 | 7.2 | 6.0 | 11.0 | 5.0 | 0.6 |
| 168824*50G-F | 185824*50#G>-F | 0.82 | 0.283 | 0.236 | 0.433 | 0.197 | 0.024 | 7.2 | 6.0 | 11.0 | 5.0 | 0.6 |
| 168105*50G-F | 185105*50#G>-F | 1.00 | 0.283 | 0.236 | 0.433 | 0.197 | 0.024 | 7.2 | 6.0 | 11.0 | 5.0 | 0.6 |
| 63 Vdc / 40 Vac | | | | | | | | | | | | |
| 168473*63A-F | 185473*63#A>-F | 0.047 | 0.283 | 0.098 | 0.256 | 0.197 | 0.020 | 7.2 | 2.5 | 6.5 | 5.0 | 0.5 |
| 168563*63A-F | 185563*63#A>-F | 0.056 | 0.283 | 0.098 | 0.256 | 0.197 | 0.020 | 7.2 | 2.5 | 6.5 | 5.0 | 0.5 |
| 168683*63A-F | 185683*63#A>-F | 0.068 | 0.283 | 0.098 | 0.256 | 0.197 | 0.020 | 7.2 | 2.5 | 6.5 | 5.0 | 0.5 |
| 168823*63A-F | 185823*63#A>-F | 0.082 | 0.283 | 0.098 | 0.256 | 0.197 | 0.020 | 7.2 | 2.5 | 6.5 | 5.0 | 0.5 |
| 168104*63A-F | 185104*63#A>-F | 0.10 | 0.283 | 0.098 | 0.256 | 0.197 | 0.020 | 7.2 | 2.5 | 6.5 | 5.0 | 0.5 |
| 168154*63C-F | 185154*63#C>-F | 0.15 | 0.283 | 0.138 | 0.295 | 0.197 | 0.020 | 7.2 | 3.5 | 7.5 | 5.0 | 0.5 |
| 168184*63C-F | 185184*63#C>-F | 0.18 | 0.283 | 0.138 | 0.295 | 0.197 | 0.020 | 7.2 | 3.5 | 7.5 | 5.0 | 0.5 |
| 168224*63C-F | 185224*63#C>-F | 0.22 | 0.283 | 0.138 | 0.295 | 0.197 | 0.020 | 7.2 | 3.5 | 7.5 | 5.0 | 0.5 |
| 168274*63C-F | 185274*63#C>-F | 0.27 | 0.283 | 0.098 | 0.256 | 0.197 | 0.020 | 7.2 | 2.5 | 6.5 | 5.0 | 0.5 |
| 168334*63H-F | 185334*63#H>-F | 0.33 | 0.283 | 0.138 | 0.295 | 0.197 | 0.020 | 7.2 | 3.5 | 7.5 | 5.0 | 0.5 |
| 168474*63H-F | 185474*63#H>-F | 0.47 | 0.283 | 0.138 | 0.295 | 0.197 | 0.020 | 7.2 | 3.5 | 7.5 | 5.0 | 0.5 |
| 168684*63F-F | 185684*63#F>-F | 0.68 | 0.283 | 0.177 | 0.374 | 0.197 | 0.024 | 7.2 | 4.5 | 9.5 | 5.0 | 0.6 |
| 168105*63G-F | 185105*63#G>-F | 1.00 | 0.283 | 0.236 | 0.433 | 0.197 | 0.024 | 7.2 | 6.0 | 11.0 | 5.0 | 0.6 |

RoHS Compliant

* Indicates capacitance tolerance: J = ±5%, K = ±10%, M = ±20%

Indicates packaging type: R = Tape and Reel, A = Ammo Pack

> Indicates tooling code: A = 16.5 mm, B = 18.5 mm (See H dimension in taping specifications)

Type 168/185 Metallized Polyester Radial Lead Capacitors

RoHS
Compliant

| Catalog Part Number | Tape & Reel Ammo Pack | Cap (μ F) | Inches | | | | | Millimeters | | | | |
|--------------------------|--------------------------|-------------------|--------|-------|-------|-------|-----------------|-------------|-----|------|-----|-----------------|
| | | | L | T | H | S | \varnothing d | L | T | H | S | \varnothing d |
| 100 Vdc / 63 Vac | | | | | | | | | | | | |
| 168102*100A-F | 185102*100#A>-F | 0.0010 | 0.283 | 0.098 | 0.256 | 0.197 | 0.020 | 7.2 | 2.5 | 6.5 | 5.0 | 0.5 |
| 168152*100A-F | 185152*100#A>-F | 0.0015 | 0.283 | 0.098 | 0.256 | 0.197 | 0.020 | 7.2 | 2.5 | 6.5 | 5.0 | 0.5 |
| 168222*100A-F | 185222*100#A>-F | 0.0022 | 0.283 | 0.098 | 0.256 | 0.197 | 0.020 | 7.2 | 2.5 | 6.5 | 5.0 | 0.5 |
| 168272*100A-F | 185272*100#A>-F | 0.0027 | 0.283 | 0.098 | 0.256 | 0.197 | 0.020 | 7.2 | 2.5 | 6.5 | 5.0 | 0.5 |
| 168332*100A-F | 185332*100#A>-F | 0.0033 | 0.283 | 0.098 | 0.256 | 0.197 | 0.020 | 7.2 | 2.5 | 6.5 | 5.0 | 0.5 |
| 168392*100A-F | 185392*100#A>-F | 0.0039 | 0.283 | 0.098 | 0.256 | 0.197 | 0.020 | 7.2 | 2.5 | 6.5 | 5.0 | 0.5 |
| 168472*100A-F | 185472*100#A>-F | 0.0047 | 0.283 | 0.098 | 0.256 | 0.197 | 0.020 | 7.2 | 2.5 | 6.5 | 5.0 | 0.5 |
| 168562*100A-F | 185562*100#A>-F | 0.0056 | 0.283 | 0.098 | 0.256 | 0.197 | 0.020 | 7.2 | 2.5 | 6.5 | 5.0 | 0.5 |
| 168682*100A-F | 185682*100#A>-F | 0.0068 | 0.283 | 0.098 | 0.256 | 0.197 | 0.020 | 7.2 | 2.5 | 6.5 | 5.0 | 0.5 |
| 168822*100A-F | 185822*100#A>-F | 0.0082 | 0.283 | 0.098 | 0.256 | 0.197 | 0.020 | 7.2 | 2.5 | 6.5 | 5.0 | 0.5 |
| 168103*100A-F | 185103*100#A>-F | 0.010 | 0.283 | 0.098 | 0.256 | 0.197 | 0.020 | 7.2 | 2.5 | 6.5 | 5.0 | 0.5 |
| 168153*100A-F | 185153*100#A>-F | 0.015 | 0.283 | 0.098 | 0.256 | 0.197 | 0.020 | 7.2 | 2.5 | 6.5 | 5.0 | 0.5 |
| 168183*100A-F | 185183*100#A>-F | 0.018 | 0.283 | 0.098 | 0.256 | 0.197 | 0.020 | 7.2 | 2.5 | 6.5 | 5.0 | 0.5 |
| 168223*100A-F | 185223*100#A>-F | 0.022 | 0.283 | 0.098 | 0.256 | 0.197 | 0.020 | 7.2 | 2.5 | 6.5 | 5.0 | 0.5 |
| 168273*100A-F | 185273*100#A>-F | 0.027 | 0.283 | 0.098 | 0.256 | 0.197 | 0.020 | 7.2 | 2.5 | 6.5 | 5.0 | 0.5 |
| 168333*100C-F | 185333*100#C>-F | 0.033 | 0.283 | 0.098 | 0.256 | 0.197 | 0.020 | 7.2 | 2.5 | 6.5 | 5.0 | 0.5 |
| 168393*100C-F | 185393*100#C>-F | 0.039 | 0.283 | 0.098 | 0.256 | 0.197 | 0.020 | 7.2 | 2.5 | 6.5 | 5.0 | 0.5 |
| 168473*100C-F | 185473*100#C>-F | 0.047 | 0.283 | 0.098 | 0.256 | 0.197 | 0.020 | 7.2 | 2.5 | 6.5 | 5.0 | 0.5 |
| 168683*100H-F | 185683*100#H>-F | 0.068 | 0.283 | 0.098 | 0.256 | 0.197 | 0.020 | 7.2 | 2.5 | 6.5 | 5.0 | 0.5 |
| 168104*100H-F | 185104*100#H>-F | 0.10 | 0.283 | 0.098 | 0.256 | 0.197 | 0.020 | 7.2 | 2.5 | 6.5 | 5.0 | 0.5 |
| 168154*100F-F | 185154*100#F>-F | 0.15 | 0.283 | 0.177 | 0.374 | 0.197 | 0.024 | 7.2 | 4.5 | 9.5 | 5.0 | 0.6 |
| 168224*100G-F | 185224*100#G>-F | 0.22 | 0.283 | 0.197 | 0.394 | 0.197 | 0.024 | 7.2 | 5.0 | 10.0 | 5.0 | 0.6 |
| 250 Vdc / 160 Vac | | | | | | | | | | | | |
| 168332*250A-F | 185332*250#A>-F | 0.0033 | 0.283 | 0.098 | 0.256 | 0.197 | 0.020 | 7.2 | 2.5 | 6.5 | 5.0 | 0.5 |
| 168472*250A-F | 185472*250#A>-F | 0.0047 | 0.283 | 0.098 | 0.256 | 0.197 | 0.020 | 7.2 | 2.5 | 6.5 | 5.0 | 0.5 |
| 168682*250A-F | 185682*250#A>-F | 0.0068 | 0.283 | 0.098 | 0.256 | 0.197 | 0.020 | 7.2 | 2.5 | 6.5 | 5.0 | 0.5 |
| 168103*250A-F | 185103*250#A>-F | 0.010 | 0.283 | 0.098 | 0.256 | 0.197 | 0.020 | 7.2 | 2.5 | 6.5 | 5.0 | 0.5 |
| 168153*250A-F | 185153*250#A>-F | 0.015 | 0.283 | 0.098 | 0.256 | 0.197 | 0.020 | 7.2 | 2.5 | 6.5 | 5.0 | 0.5 |
| 168223*250C-F | 185223*250#C>-F | 0.022 | 0.283 | 0.138 | 0.295 | 0.197 | 0.020 | 7.2 | 3.5 | 7.5 | 5.0 | 0.5 |
| 168333*250C-F | 185333*250#C>-F | 0.033 | 0.283 | 0.138 | 0.295 | 0.197 | 0.020 | 7.2 | 3.5 | 7.5 | 5.0 | 0.5 |
| 168473*250F-F | 185473*250#F>-F | 0.047 | 0.283 | 0.177 | 0.374 | 0.197 | 0.024 | 7.2 | 4.5 | 9.5 | 5.0 | 0.6 |
| 168683*250F-F | 185683*250#F>-F | 0.068 | 0.283 | 0.177 | 0.374 | 0.197 | 0.024 | 7.2 | 4.5 | 9.5 | 5.0 | 0.6 |
| 168104*250G-F | 185104*250#G>-F | 0.100 | 0.283 | 0.197 | 0.394 | 0.197 | 0.024 | 7.2 | 5.0 | 10 | 5.0 | 0.6 |
| 400 Vdc / 200 Vac | | | | | | | | | | | | |
| 168102*400A-F | 185102*400#A>-F | 0.001 | 0.283 | 0.098 | 0.256 | 0.197 | 0.020 | 7.2 | 2.5 | 6.5 | 5.0 | 0.5 |
| 168152*400A-F | 185152*400#A>-F | 0.0015 | 0.283 | 0.098 | 0.256 | 0.197 | 0.020 | 7.2 | 2.5 | 6.5 | 5.0 | 0.5 |
| 168222*400A-F | 185222*400#A>-F | 0.0022 | 0.283 | 0.098 | 0.256 | 0.197 | 0.020 | 7.2 | 2.5 | 6.5 | 5.0 | 0.5 |
| 168332*400C-F | 185332*400#C>-F | 0.0033 | 0.283 | 0.098 | 0.256 | 0.197 | 0.020 | 7.2 | 2.5 | 6.5 | 5.0 | 0.5 |
| 168472*400C-F | 185472*400#C>-F | 0.0047 | 0.283 | 0.098 | 0.256 | 0.197 | 0.020 | 7.2 | 2.5 | 6.5 | 5.0 | 0.5 |
| 168682*400C-F | 185682*400#C>-F | 0.0068 | 0.283 | 0.138 | 0.295 | 0.197 | 0.020 | 7.2 | 3.5 | 7.5 | 5.0 | 0.5 |
| 168103*400F-F | 185103*400#F>-F | 0.010 | 0.283 | 0.138 | 0.295 | 0.197 | 0.020 | 7.2 | 3.5 | 7.5 | 5.0 | 0.5 |
| 168153*400F-F | 185153*400#F>-F | 0.015 | 0.283 | 0.177 | 0.374 | 0.197 | 0.024 | 7.2 | 4.5 | 9.5 | 5.0 | 0.6 |
| 168223*400G-F | 185223*400#G>-F | 0.022 | 0.283 | 0.197 | 0.394 | 0.197 | 0.024 | 7.2 | 5.0 | 10 | 5.0 | 0.6 |

* Indicates capacitance tolerance: J = \pm 5%, K = \pm 10%, M = \pm 20%

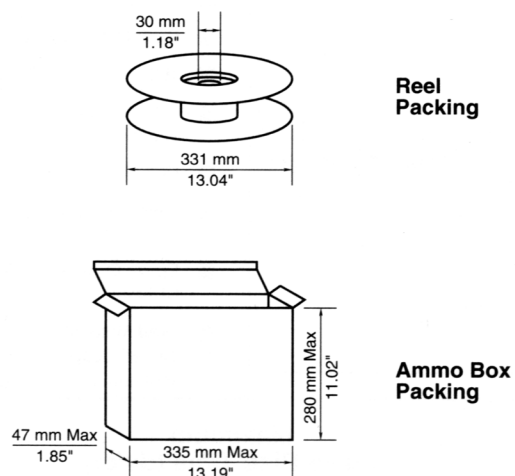
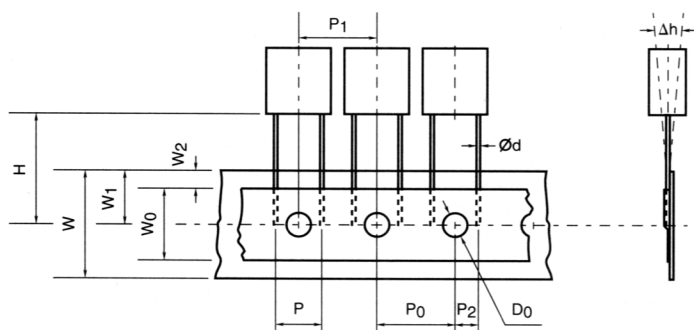
Indicates packaging type: R = Tape and Reel, A = Ammo Pack

> Indicates tooling code: A = 16.5 mm, B = 18.5 mm (See H dimension in taping specification)

Type 168/185 Metallized Polyester Radial Lead Capacitors

Tape Specification - 5.0 mm Lead Spacing

Standard EIA-468-B



| Item | Code | Millimeters | Inches |
|--------------------------------------|----------------|----------------------------|------------------------------|
| Lead-to-Lead Distance | P | 5.0 ^{+0.6} -0.2 | .197 ^{+0.024} -.040 |
| Feed Hole Pitch | P ₀ | 12.7 ^{±0.3} | .5 ^{±0.12} |
| Pitch of Component | P ₁ | 12.7 ^{±1.0} | .5 ^{±0.39} |
| Hole Center to Lead | P ₂ | 2.54 ^{±0.7} | .100 ^{±0.28} |
| Feed Hole Center to Component Center | P ₃ | 6.35 ^{±1.3} | .250 ^{±0.51} |
| Component Alignment, F-R | Δh | 0 ^{±2.0} | 0 ^{±0.79} |
| Tape Width | W | 18 ^{+1.0} -0.1 | .709 ^{+0.039} -.004 |
| Hold-down Tape Width | W ₀ | 6.0 min | .236 min |
| Hole Position | W ₁ | 9.0 ^{+0.75} -0.05 | .355 ^{+0.030} -.001 |
| Hold-down Tape Position | W ₂ | 3.0 Max | .118 Max |
| Height of Component from Tape Center | H | > | > |
| Feed Hole Diameter | D ₀ | 4.0 ^{±0.3} | .157 ^{±0.12} |

| Case Thickness T | Quantity Reeled | Quantity Ammo Pack |
|------------------|-----------------|--------------------|
| 2.5 | 2500 | 2000 |
| 3.5 | 1800 | 1500 |
| 4.5 | 1400 | 1300 |
| 5 | 1200 | 1000 |
| 6 | 1000 | 800 |

> The H dimension depends on the insertion equipment used. Specify the proper tooling code as indicated below.

| Tooling Code | H Dimensions | |
|--------------|-----------------------|------------------------|
| | Millimeters | Inches |
| A | 16.5 ^{±0.75} | .679 ^{±0.030} |
| B | 18.5 ^{±0.75} | .728 ^{±0.030} |

Part Numbering System for Auto Insertion

| 168/185 | 104 | K | 100 | R | H | B | -F |
|---------|---------------|-----------|---------------|--------------------|---------------|-------------------|------------------|
| Series | Capacitance | Tolerance | Voltage | Packaging Type (#) | Internal Code | *Tooling Code (>) | RoHS Designation |
| 185 | 102 = .001 μF | J = ±5% | 50 = 50 Vdc | A = Ammo | Letter | A | |
| | 103 = .01 μF | K = ±10% | 63 = 63 Vdc | R = Tape & Reel | | B | |
| | 104 = .1 μF | M = ±20% | 100 = 100 Vdc | | | | |
| | 105 = 1.0 μF | | 250 = 250 Vdc | | | | |
| | | | 400 = 400 Vdc | | | | |

* Tooling code (>) depends on the users insertion equipment requirements. See table for available options.

Данный компонент на территории Российской Федерации

Вы можете приобрести в компании MosChip.

Для оперативного оформления запроса Вам необходимо перейти по данной ссылке:

<http://moschip.ru/get-element>

Вы можете разместить у нас заказ для любого Вашего проекта, будь то серийное производство или разработка единичного прибора.

В нашем ассортименте представлены ведущие мировые производители активных и пассивных электронных компонентов.

Нашей специализацией является поставка электронной компонентной базы двойного назначения, продукции таких производителей как XILINX, Intel (ex.ALTERA), Vicor, Microchip, Texas Instruments, Analog Devices, Mini-Circuits, Amphenol, Glenair.

Сотрудничество с глобальными дистрибьюторами электронных компонентов, предоставляет возможность заказывать и получать с международных складов практически любой перечень компонентов в оптимальные для Вас сроки.

На всех этапах разработки и производства наши партнеры могут получить квалифицированную поддержку опытных инженеров.

Система менеджмента качества компании отвечает требованиям в соответствии с ГОСТ Р ИСО 9001, ГОСТ РВ 0015-002 и ЭС РД 009

Офис по работе с юридическими лицами:

105318, г.Москва, ул.Щербаковская д.3, офис 1107, 1118, ДЦ «Щербаковский»

Телефон: +7 495 668-12-70 (многоканальный)

Факс: +7 495 668-12-70 (доб.304)

E-mail: info@moschip.ru

Skype отдела продаж:

moschip.ru

moschip.ru_4

moschip.ru_6

moschip.ru_9