

FO converters - PSI-MOS-RS232/FO 850 T - 2708423

Please be informed that the data shown in this PDF Document is generated from our Online Catalog. Please find the complete data in the user's documentation. Our General Terms of Use for Downloads are valid (<http://download.phoenixcontact.com>)



FO converter with integrated optical diagnosis, alarm contact, for RS-232 interfaces up to 115.2 kbps, T-coupler with two FO interfaces (BFOC), 850 nm, for HCS/fiber glass cable

Why buy this product

- Connections can be plugged in using a COMBICON screw terminal block
- Supply voltage and data signals routed through via DIN rail connectors
- High-quality electrical isolation between all interfaces (RS-232 // fiber optic ports // power supply // DIN rail connector)
- Redundant power supply possible by means of optional system power supply unit
- Approved for use in zone 2
- Floating switch contact for leading alarm generation in relation to critical fiber optic paths
- Intrinsically safe fiber optic interface (Ex op is) for direct connection to devices in zone 1
- Integrated optical diagnostics for continuous monitoring of fiber optic paths
- Automatic data rate detection for all data rates up to 115.2 kbps



Key commercial data

| | |
|------------------------|---|
| Packing unit | 1 |
| Minimum order quantity | 1 |
| Catalog page | Page 513 (IF-2011) |
| GTIN |  4 017918 974114 |
| Custom tariff number | 85176200 |
| Country of origin | GERMANY |

Technical data

Note:

| | |
|-------------------------|--|
| Utilization restriction | The operation of this device does not meet the general EMC protection requirements for residential areas. Please take the appropriate precautions. |
|-------------------------|--|

Serial interface

| | |
|-------------|---|
| Interface 1 | V.24 (RS-232) interface in acc. with ITU-T V.28, EIA/TIA-232, DIN 66259-1 |
|-------------|---|

FO converters - PSI-MOS-RS232/FO 850 T - 2708423

Technical data

Serial interface

| | |
|--|------------------------|
| Transmission medium | Copper |
| Transmission length | ≤ 15 m |
| Connection method | D-SUB-9 male connector |
| Conductor cross section solid min. | 0.2 mm ² |
| Conductor cross section solid max. | 2.5 mm ² |
| Conductor cross section stranded min. | 0.2 mm ² |
| Conductor cross section stranded max. | 2.5 mm ² |
| Conductor cross section AWG/kcmil min. | 24 |
| Conductor cross section AWG/kcmil max | 14 |
| Serial transmission speed | 115.2 kbps (NRZ) |

Optical interface FO

| | |
|---|---|
| Transmit capacity, minimum | -4.6 dBm (200/230 μm) |
| Transmit capacity, minimum | -17.6 dBm (50/125 μm) |
| Transmit capacity, minimum | -13.6 dBm (62,5/125 μm) |
| Minimum receiver sensitivity | -33.20 dBm |
| Wavelength | 850 nm |
| Transmission length incl. 3 dB system reserve | 2800 m (with F-K 200/230 8 dB/km with quick mounting connector) |
| Transmission length incl. 3 dB system reserve | 4200 m (with F-G 50/125 2.5 dB/km) |
| Transmission length incl. 3 dB system reserve | 4800 m (with F-G 62,5/125 3.0 dB/km) |
| Transmission medium | HCS fiber |
| Transmission medium | Multi-mode fiberglass |
| Connection method | B-FOC (ST [®]) |

Fault warning output

| | |
|-----------------------------|---------|
| Maximum switching voltage | 60 V DC |
| Maximum switching voltage | 42 V AC |
| Limiting continuous current | 0.46 A |

Power supply

| | |
|-----------------------------|---------------------------------------|
| Supply voltage range | 18 V DC ... 30 V DC |
| Max. current consumption | 120 mA |
| Typical current consumption | 120 mA (24 V DC) |
| Connection method | COMBICON plug-in screw terminal block |

General data

| | |
|---|---------------------------------|
| Transmission channels | 2 (1/1), RxD, TxD, full duplex |
| Bit distortion, input | ± 35 % (permitted) |
| Bit distortion, output | < 6.25 % |
| Width | 35 mm |
| Height | 99 mm |
| Depth | 105 mm |
| Ambient temperature (operation) | -20 °C ... 60 °C |
| Ambient temperature (storage/transport) | -40 °C ... 85 °C |
| Permissible humidity (operation) | 30 % ... 95 % (no condensation) |

FO converters - PSI-MOS-RS232/FO 850 T - 2708423

Technical data

General data

| | |
|--|---|
| Altitude | 5000 m (For restrictions see manufacturer's declaration) |
| Electrical isolation | (VCC // V.24 (RS-232)) |
| Test voltage data interface/power supply | 1.5 kV _{rms} (50 Hz, 1 min.) |
| Electromagnetic compatibility | Conformance with EMC Directive 2004/108/EC |
| Noise emission | EN 55011 |
| Noise immunity | EN 61000-6-2:2005 |
| Degree of protection | IP20 |
| Net weight | 200 g |
| Housing material | PA 6.6-FR |
| Color | green |
| MTBF | 177 Years (Telcordia standard, 25°C temperature, 21% operating cycle (5 days a week, 8 hours a day)) |
| MTBF | 26 Years (Telcordia standard, 40°C temperature, 34.25% operating cycle (5 days a week, 12 hours a day)) |
| Conformance | CE-compliant |
| ATEX | # II 3 G Ex nAC IIC T4 X |
| ATEX | # II (2) GD [Ex op is] IIC (PTB 06 ATEX 2042 U) |
| UL, USA / Canada | Class I, Zone 2, AEx nc IIC T5 |
| UL, USA / Canada | Class I, zone 2, Ex nC nL IIC T5 X |
| UL, USA / Canada | Class I, Div. 2, Groups A, B, C, D |

Classifications

ETIM

| | |
|----------|----------|
| ETIM 2.0 | EC001423 |
| ETIM 3.0 | EC001423 |
| ETIM 4.0 | EC001423 |
| ETIM 5.0 | EC001423 |

UNSPSC

| | |
|---------------|----------|
| UNSPSC 11 | 39121008 |
| UNSPSC 12.01 | 39121008 |
| UNSPSC 13.2 | 43201553 |
| UNSPSC 6.01 | 30211506 |
| UNSPSC 7.0901 | 39121008 |

eCl@ss

| | |
|------------|----------|
| eCl@ss 4.0 | 27230207 |
| eCl@ss 4.1 | 27230207 |
| eCl@ss 5.0 | 27230207 |
| eCl@ss 5.1 | 27230207 |
| eCl@ss 6.0 | 27230207 |
| eCl@ss 7.0 | 27230207 |

FO converters - PSI-MOS-RS232/FO 850 T - 2708423

Approvals

Approvals

Approvals


UL Recognized / cUL Recognized / cULus Recognized


Ex Approvals


ATEX / UL Listed / cUL Listed / cULus Listed

Approvals submitted

Approval details

UL Recognized 

cUL Recognized 

cULus Recognized 

Accessories

Accessories

Cable/conductor

FO cable - PSM-LWL-HCS-RUGGED-200/230 - 2799885



HCS cable, duplex 200/230 µm, by the meter, without connector, for indoor installation

FO cable - PSM-LWL/HCS-RUGGED - 2744937



HCS cable, duplex 200/230 µm, by the meter, with connector, for indoor installation

FO converters - PSI-MOS-RS232/FO 850 T - 2708423

Accessories

FO cable - PSM-LWL-HCSO-200/230 - 2799445



HCS cable, duplex 200/230 μm , by the meter, without connector, for outdoor installation

FO cable - PSM-LWL/HCSO - 2744940



HCS cable, duplex 200/230 μm , by the meter, with connector, for outdoor installation

FO cable - PSM-LWL-GDM-RUGGED- 50/125 - 2799322



Fiberglass cable, duplex 50/125 μm , by the meter, without connector, for indoor installation

FO cable - PSM-LWL/GDM-RUGGED - 2744911



Fiberglass cable, duplex 50/125 μm , by the meter, with connector, for indoor installation

FO cable - PSM-LWL-GDO- 50/125 - 2799432



Fiberglass cable, duplex 50/125 μm , by the meter, without connector, for outdoor installation

FO converters - PSI-MOS-RS232/FO 850 T - 2708423

Accessories

FO cable - PSM-LWL/GDO - 2744924



Fiberglass cable, duplex 50/125 μm , by the meter, with connector, for outdoor installation

Data cable - PSM-KA9SUB9/BB/0,5METER - 2708520



RS-232 cable, 9-pos. D-SUB female connector on 9-pos. D-SUB female connector, 9-wire, 1:1

Data cable - PSM-KA9SUB9/BB/2METER - 2799474



RS-232 cable, 9-pos. D-SUB female connector on 9-pos. D-SUB female connector, 9-wire, 1:1

Data cable - PSM-KA 9 SUB 25/BB/2METER - 2761059



RS-232 cable, 9-pos. D-SUB female connector 25-pos on D-SUB female connector

Adapter cable - PSM-KAD-IL RS232/9SUB/B/0,8M - 2319200



Adapter cable to connect the IB IL RS232 and IB IL RS232-PRO Inline communication terminals to the interface converter, e.g. modem, Com server, Bluetooth or fiber optics.

FO patch cable - FL MM PATCH 1,0 LC-ST - 2989174



Assembled fiber optic cable, break-out cable, fiberglass multi-mode 50/125 μm , connector: LC/B-FOC (ST), degree of protection: IP20, for installation in cable ducts or control cabinets, length: 1 m

FO converters - PSI-MOS-RS232/FO 850 T - 2708423

Accessories

FO patch cable - FL MM PATCH 2,0 LC-ST - 2989271



Assembled fiber optic cable, break-out cable, fiberglass multi-mode 50/125 μm , connector: LC/B-FOC (ST), degree of protection: IP20, for installation in cable ducts or control cabinets, length: 2 m

FO patch cable - FL MM PATCH 5,0 LC-ST - 2901801



Assembled FO cable, break out cable, multi-mode fiberglass 50/125 μm , plug: LC / B-FOC (ST), protection type: IP20, for installation in cable ducts or control cabinets, length: 5 m

FO patch cable - FL MM PATCH 1,0 SC-ST - 2901809



Assembled FO cable, break out cable, multi-mode fiberglass 50/125 μm , connector: SC Duplex / B-FOC, protection type: IP20, for installation in cable ducts or control cabinets, length: 1 m

FO patch cable - FL MM PATCH 5,0 SC-ST - 2901811



Assembled FO cable, break out cable, multi-mode fiberglass 50/125 μm , connector: SC Duplex / B-FOC (ST), protection type: IP20, for installation in cable ducts or control cabinets, length: 5 m

FO patch cable - FL MM PATCH 1,0 ST-ST - 2901815



Assembled FO cable, break out cable, multi-mode fiberglass 50/125 μm , connector: B-FOC (ST) / B-FOC (ST), protection type: IP20, for installation in cable ducts or control cabinets, length: 1 m

FO converters - PSI-MOS-RS232/FO 850 T - 2708423

Accessories

FO patch cable - FL MM PATCH 2,0 ST-ST - 2901816



Assembled FO cable, break out cable, multi-mode fiberglass 50/125 µm, connector: B-FOC (ST) / B-FOC (ST), protection type: IP20, for installation in cable ducts or control cabinets, length: 2 m

FO patch cable - FL MM PATCH 5,0 ST-ST - 2901817



Assembled FO cable, break out cable, multi-mode fiberglass 50/125 µm, connector: B-FOC (ST) / B-FOC (ST), protection type: IP20, for installation in cable ducts or control cabinets, length: 5 m

FO patch cable - FL MM PATCH 1,0 ST-SCRJ - 2901820



Assembled FO cable, break out cable, multi-mode fiberglass 50/125 µm, connector: SC Duplex / SCRJ, protection type: IP20, for installation in cable ducts or control cabinets, length: 1 m

FO patch cable - FL MM PATCH 2,0 ST-SCRJ - 2901821



Assembled FO cable, break out cable, multi-mode fiberglass 50/125 µm, connector: B-FOC (ST) / SCRJ, protection type: IP20, for installation in cable ducts or control cabinets, length: 2 m

FO patch cable - FL MM PATCH 5,0 ST-SCRJ - 2901822



Assembled FO cable, break out cable, multi-mode fiberglass 50/125 µm, connector: B-FOC (ST) / SCRJ, protection type: IP20, for installation in cable ducts or control cabinets, length: 5 m

FO patch cable - FL SM PATCH 1,0 LC-ST - 2989242



Assembled fiber optic cable, break-out cable, fiberglass single mode 9/125 µm, connector: LC/B-FOC (ST), degree of protection: IP20, for installation in cable ducts or control cabinets, length: 1 m

FO converters - PSI-MOS-RS232/FO 850 T - 2708423

Accessories

FO patch cable - FL SM PATCH 2,0 LC-ST - 2989349



Assembled fiber optic cable, break-out cable, fiberglass single mode 9/125 μm , connector: LC/B-FOC (ST), degree of protection: IP20, for installation in cable ducts or control cabinets, length: 2 m

FO patch cable - FL SM PATCH 5,0 LC-ST - 2901828



Assembled FO cable, break out cable, single-mode fiberglass 9/125 μm , connector: LC / B-FOC (ST), protection type: IP20, for installation in cable ducts or control cabinets, length: 5 m

FO patch cable - FL SM PATCH 1,0 SC-ST - 2901832



Assembled FO cable, break out cable, single-mode fiberglass 9/125 μm , connector: SC Duplex / B-FOC (ST), protection type: IP20, for installation in cable ducts or control cabinets, length: 1 m

FO patch cable - FL SM PATCH 2,0 SC-ST - 2901833



Assembled FO cable, break out cable, single-mode fiberglass 9/125 μm , connector: SC Duplex / B-FOC (ST), protection type: IP20, for installation in cable ducts or control cabinets, length: 2 m

FO patch cable - FL SM PATCH 5,0 SC-ST - 2901834



Assembled FO cable, break out cable, single-mode fiberglass 9/125 μm , connector: SC Duplex / B-FOC (ST), protection type: IP20, for installation in cable ducts or control cabinets, length: 5 m

FO converters - PSI-MOS-RS232/FO 850 T - 2708423

Accessories

FO patch cable - FL SM PATCH 1,0 ST-ST - 2901836



Assembled FO cable, break out cable, single-mode fiberglass 9/125 µm, connector: B-FOC (ST) / B-FOC (ST), protection type: IP20, for installation in cable ducts or control cabinets, length: 1 m

FO patch cable - FL SM PATCH 2,0 ST-ST - 2901837



Assembled FO cable, break out cable, single-mode fiberglass 9/125 µm, connector: B-FOC (ST) / B-FOC (ST), protection type: IP20, for installation in cable ducts or control cabinets, length: 2 m

FO patch cable - FL SM PATCH 5,0 ST-ST - 2901838



Assembled FO cable, break out cable, single-mode fiberglass 9/125 µm, connector: B-FOC (ST) / B-FOC (ST), protection type: IP20, for installation in cable ducts or control cabinets, length: 5 m

Plug/Adapter

FO plug connectors - PSM-SET-B-FOC/4-HCS - 2708481



B-FOC (ST) connector set for HCS fiber, for self assembly consisting of 4 quick mounting connectors with bend protection sleeve

Fiber optic coupling - PSM-SET-BFOC-LINK/2 - 2799429



Coupling; set consisting of 2 couplings for connecting B-FOC plugs

FO converters - PSI-MOS-RS232/FO 850 T - 2708423

Accessories

D-SUB bus connector - SUBCON-PLUS 9/F - 2744241



D-SUB connector, 9-pos. female connector, two cable entries < 35°, universal type for all systems, pin assignment: 1, 2, 3, 4, 5, 6, 7, 8, 9 to one screw connection terminal block

D-SUB bus connector - SUBCON-PLUS 9/M - 2744018



D-SUB connector, 9-pos., male connector, two cable entries < 35°, universal type for all systems, pin assignment: 1, 2, 3, 4, 5, 6, 7, 8, 9 to one screw connection terminal block

Tools

Assembly tool - PSM-HCS-KONFTOOL/B-FOC - 2708465



HCS assembly kit for B-FOC (ST) quick mounting connectors, including stripping blade, stripping pliers, aramide yarn scissors, fiber stripper, microscope, fiber cleaving tool for standard HCS and HCS GI fibers, and documentation

Measuring instrument - PSM-FO-POWERMETER - 2799539



Fiber optic measuring case, consisting of an optical power meter, F-SMA, B-FOC adapters, reference fibers and operating instructions

Screwdriver - SZS 0,4X2,5 VDE - 1205037



Screwdriver, bladed, VDE insulated, size: 0.4 x 2.5 x 80 mm, 2-component grip, with non-slip grip

FO converters - PSI-MOS-RS232/FO 850 T - 2708423

Accessories

Power supply unit - MINI-SYS-PS-100-240AC/24DC/1.5 - 2866983



DIN rail power supply unit, primary-switched mode, slim design, output: 24 V DC / 1.5 A

Electronic housing - ME 17,5 TBUS 1,5/ 5-ST-3,81 GN - 2709561



DIN rail connector for DIN rail power supply unit, gold-plated contacts, for DIN rail mounting, 5-pos.

Electronic housing - ME 17,5 TBUS 1,5/PP000-3,81 BK - 2890014

Plug component

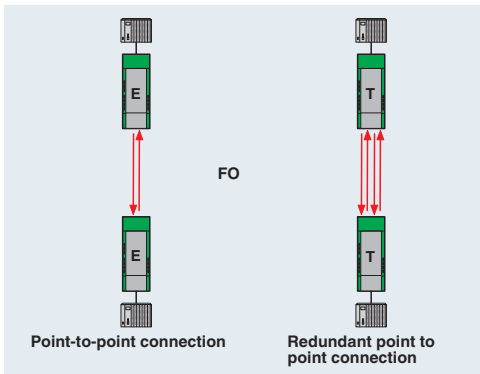
Interface converter - PSM-ME-RS232/RS485-P - 2744416



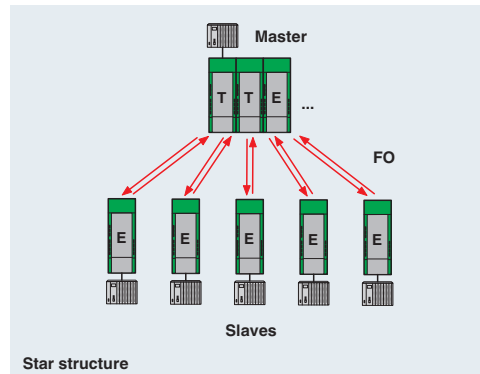
Interface converter, for converting RS-232 (V.24) to RS-422 (V.11) and RS-485, with electrical isolation, 2 channels, rail-mountable

Drawings

Application drawing

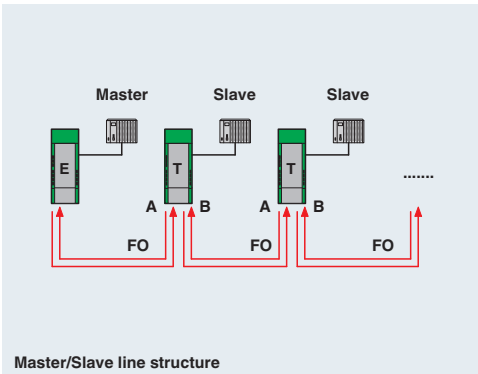


Application drawing

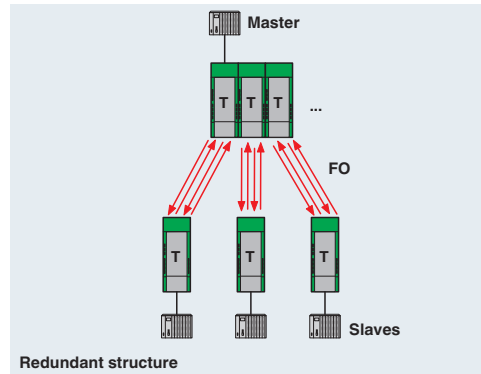


FO converters - PSI-MOS-RS232/FO 850 T - 2708423

Application drawing

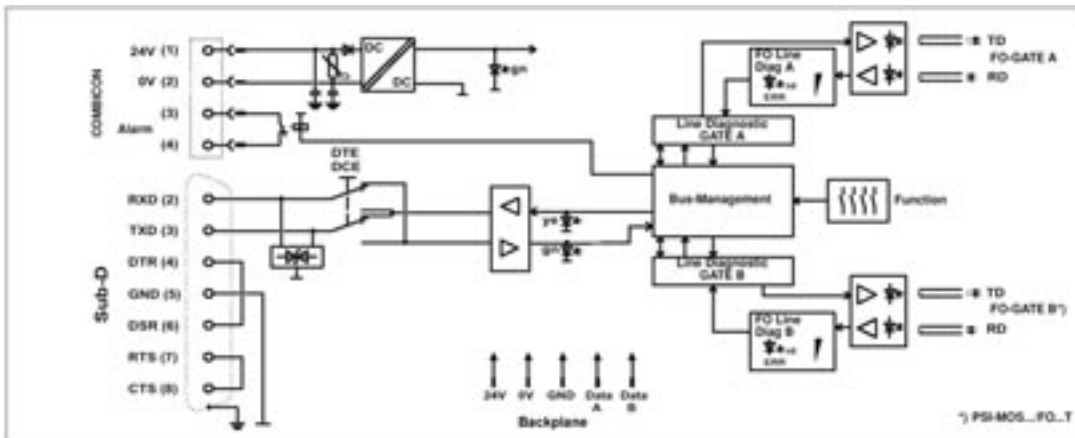


Application drawing



Master/Slave line structure

Block diagram



*) only with PSI-MOS.../FO...T

Данный компонент на территории Российской Федерации

Вы можете приобрести в компании MosChip.

Для оперативного оформления запроса Вам необходимо перейти по данной ссылке:

<http://moschip.ru/get-element>

Вы можете разместить у нас заказ для любого Вашего проекта, будь то серийное производство или разработка единичного прибора.

В нашем ассортименте представлены ведущие мировые производители активных и пассивных электронных компонентов.

Нашей специализацией является поставка электронной компонентной базы двойного назначения, продукции таких производителей как XILINX, Intel (ex.ALTERA), Vicor, Microchip, Texas Instruments, Analog Devices, Mini-Circuits, Amphenol, Glenair.

Сотрудничество с глобальными дистрибьюторами электронных компонентов, предоставляет возможность заказывать и получать с международных складов практически любой перечень компонентов в оптимальные для Вас сроки.

На всех этапах разработки и производства наши партнеры могут получить квалифицированную поддержку опытных инженеров.

Система менеджмента качества компании отвечает требованиям в соответствии с ГОСТ Р ИСО 9001, ГОСТ РВ 0015-002 и ЭС РД 009

Офис по работе с юридическими лицами:

105318, г.Москва, ул.Щербаковская д.3, офис 1107, 1118, ДЦ «Щербаковский»

Телефон: +7 495 668-12-70 (многоканальный)

Факс: +7 495 668-12-70 (доб.304)

E-mail: info@moschip.ru

Skype отдела продаж:

moschip.ru

moschip.ru_4

moschip.ru_6

moschip.ru_9