

FEATURES

24-bit stereo audio ADC and DAC: >98 dB SNR
Sampling rates from 8 kHz to 96 kHz
Low power: 7 mW record, 7 mW playback, 48 kHz at 1.8 V
6 analog input pins, configurable for single-ended or differential inputs
Flexible analog input/output mixers
Stereo digital microphone input
Analog outputs: 2 differential stereo, 2 single-ended stereo, 1 mono headphone output driver
PLL supporting input clocks from 8 MHz to 27 MHz
Analog automatic level control (ALC)
Microphone bias reference voltage
Analog and digital I/O: 1.8 V to 3.6 V
I²C and SPI control interfaces
Digital audio serial data I/O: stereo and time-division multiplexing (TDM) modes
Software-controllable clickless mute
Software power-down
32-lead, 5 mm × 5 mm LFCSP
-40°C to +85°C operating temperature range

APPLICATIONS

Smartphones/multimedia phones
Digital still cameras/digital video cameras
Portable media players/portable audio players
Phone accessories products

GENERAL DESCRIPTION

The ADAU1361 is a low power, stereo audio codec that supports stereo 48 kHz record and playback at 14 mW from a 1.8 V analog supply. The stereo audio ADCs and DACs support sample rates from 8 kHz to 96 kHz as well as a digital volume control. The ADAU1361 is ideal for battery-powered audio and telephony applications.

The record path includes an integrated microphone bias circuit and six inputs. The inputs can be mixed and muxed before the ADC, or they can be configured to bypass the ADC. The ADAU1361 includes a stereo digital microphone input.

The ADAU1361 includes five high power output drivers (two differential and three single-ended), supporting stereo headphones, an earpiece, or other output transducer. AC-coupled or capless configurations are supported. Individual fine level controls are supported on all analog outputs. The output mixer stage allows for flexible routing of audio.

The serial control bus supports the I²C and SPI protocols. The serial audio bus is programmable for I²S, left-/right-justified, and TDM modes. A programmable PLL supports flexible clock generation for all standard integer rates and fractional master clocks from 8 MHz to 27 MHz.

FUNCTIONAL BLOCK DIAGRAM



Figure 1.

Rev. D

[Document Feedback](#)

Information furnished by Analog Devices is believed to be accurate and reliable. However, no responsibility is assumed by Analog Devices for its use, nor for any infringements of patents or other rights of third parties that may result from its use. Specifications subject to change without notice. No license is granted by implication or otherwise under any patent or patent rights of Analog Devices. Trademarks and registered trademarks are the property of their respective owners.

One Technology Way, P.O. Box 9106, Norwood, MA 02062-9106, U.S.A.
 Tel: 781.329.4700 ©2009–2018 Analog Devices, Inc. All rights reserved.
[Technical Support](#) www.analog.com

TABLE OF CONTENTS

| | | | |
|--|----|--------------------------------------|----|
| Features | 1 | Core Clock..... | 26 |
| Applications..... | 1 | Sampling Rates..... | 26 |
| General Description | 1 | PLL | 27 |
| Functional Block Diagram | 1 | Record Signal Path | 29 |
| Revision History | 3 | Input Signal Paths..... | 29 |
| Specifications..... | 4 | Analog-to-Digital Converters..... | 31 |
| Analog Performance Specifications | 4 | Automatic Level Control (ALC)..... | 32 |
| Power Supply Specifications..... | 7 | ALC Parameters..... | 32 |
| Typical Current Consumption..... | 8 | Noise Gate Function | 33 |
| Typical Power Management Measurements | 9 | Playback Signal Path | 35 |
| Digital Filters..... | 10 | Output Signal Paths | 35 |
| Digital Input/Output Specifications..... | 10 | Headphone Output | 36 |
| Digital Timing Specifications | 11 | Pop-and-Click Suppression | 37 |
| Digital Timing Diagrams..... | 12 | Line Outputs | 37 |
| Absolute Maximum Ratings..... | 14 | Control Ports..... | 38 |
| Thermal Resistance | 14 | Burst Mode Writing and Reading | 38 |
| ESD Caution..... | 14 | I ² C Port | 38 |
| Pin Configuration and Function Descriptions..... | 15 | SPI Port | 41 |
| Typical Performance Characteristics | 17 | Serial Data Input/Output Ports | 42 |
| System Block Diagrams | 20 | Applications Information | 44 |
| Theory of Operation | 23 | Power Supply Bypass Capacitors..... | 44 |
| Startup, Initialization, and Power | 24 | GSM Noise Filter | 44 |
| Power-Up Sequence | 24 | Grounding | 44 |
| Power Reduction Modes..... | 24 | Exposed Pad PCB Design | 44 |
| Digital Power Supply..... | 24 | Control Registers | 45 |
| Input/Output Power Supply..... | 24 | Control Register Details | 46 |
| Clock Generation and Management..... | 24 | Outline Dimensions | 79 |
| Clocking and Sampling Rates | 26 | Ordering Guide | 79 |

REVISION HISTORY**8/2018—Rev. C to Rev. D**

| | |
|---|----|
| Changed t_{SODM} to t_{SOD} , Table 7 | 11 |
| Changes to t_{SOD} Parameter, Table 7 | 11 |
| Changes to Figure 3..... | 12 |

9/2010—Rev. B to Rev. C

| | |
|--------------------------|---|
| Changes to Figure 1..... | 1 |
|--------------------------|---|

5/2010—Rev. A to Rev. B

| | |
|--|----|
| Changes to Burst Mode Writing and Reading Section | 38 |
| Changes to Table 26 | 45 |
| Change to Table 43..... | 58 |
| Added R67: Dejitter Control, 16,438 (0x4036) Section | 73 |

12/2009—Rev. 0 to Rev. A

| | |
|---|----|
| Changes to Features Section | 1 |
| Changes to General Description Section | 1 |
| Changes to Table 1 | 6 |
| Change to Table 5..... | 10 |
| Changes to Figure 6..... | 13 |
| Changes to Table 10 | 15 |
| Changes to Captions of Figure 15, Figure 16, Figure 18, and Figure 19 | 18 |
| Changes to Captions of Figure 21 and Figure 24 | 19 |
| Added Figure 22; Renumbered Sequentially..... | 19 |
| Change to Figure 25 | 20 |
| Change to Figure 26..... | 21 |
| Change to Figure 27 | 22 |
| Change to Theory of Operation Section | 23 |
| Changes to Power Reduction Modes Section and Case 1: PLL Is Bypassed Section | 24 |
| Changes to PLL Lock Acquisition Section..... | 25 |
| Changes to Core Clock Section..... | 26 |

| | |
|---|----|
| Changes to Input Signal Paths Section and Figure 31..... | 29 |
| Changes to Figure 32 and Figure 33 | 30 |
| Changes to ADC Full-Scale Level Section..... | 31 |
| Change to Automatic Level Control (ALC) Section | 32 |
| Changes to Output Signal Paths Section..... | 35 |
| Changes to Headphone Output Section..... | 36 |
| Changes to Jack Detection Section, Pop-and-Click Suppression Section, and Line Outputs Section | 37 |
| Changes to Control Ports Section and I ² C Port Section | 38 |
| Added Burst Mode Writing and Reading Section | 38 |
| Changes to SPI Port Section | 41 |
| Changes to Serial Data Input/Output Ports Section, Table 24, and Table 25 | 42 |
| Added Figure 56 | 42 |
| Changes to Figure 60 and Figure 61 | 43 |
| Changes to Table 26 | 45 |
| Changes to R2: Digital Microphone/Jack Detection Control, 16,392 (0x4008) Section and Table 29 | 47 |
| Changes to Table 35 | 52 |
| Changes to Table 36 | 53 |
| Changes to R15: Serial Port Control 0, 16,405 (0x4015) Section and Table 42 | 57 |
| Change to Table 43..... | 58 |
| Changes to Table 44, R18: Converter Control 1, 16,408 (0x4018) Section, and Table 45 | 59 |
| Changes to Table 53, R27: Playback L/R Mixer Right (Mixer 6) Line Output Control, 16,417 (0x4021) Section, and Table 54...65 | 65 |
| Changes to Table 55, R29: Playback Headphone Left Volume Control, 16,419 (0x4023) Section, and Table 56 | 66 |
| Changes to R42: Jack Detect Pin Control, 16,433 (0x4031) Section and Table 69 | 73 |

1/2009—Revision 0: Initial Version

SPECIFICATIONS

Supply voltage (AVDD) = 3.3 V, T_A = 25°C, master clock = 12.288 MHz (48 kHz f_s, 256 × f_s mode), input sample rate = 48 kHz, measurement bandwidth = 20 Hz to 20 kHz, word width = 24 bits, C_{LOAD} (digital output) = 20 pF, I_{LOAD} (digital output) = 2 mA, V_{IH} = 2 V, V_{IL} = 0.8 V, unless otherwise noted. Performance of all channels is identical, exclusive of the interchannel gain mismatch and interchannel phase deviation specifications.

ANALOG PERFORMANCE SPECIFICATIONS

Specifications guaranteed at 25°C (ambient).

Table 1.

| Parameter | Test Conditions/Comments | Min | Typ | Max | Unit |
|---|---------------------------|-----|-------------|-----|---------------|
| ANALOG-TO-DIGITAL CONVERTERS | | | | | |
| ADC performance excludes mixers and PGA | | | | | |
| ADC Resolution | All ADCs | | 24 | | Bits |
| Digital Attenuation Step | | | 0.375 | | dB |
| Digital Attenuation Range | | | 95 | | dB |
| INPUT RESISTANCE | | | | | |
| Single-Ended Line Input | | | | | |
| | -12 dB gain | | 83 | | kΩ |
| | 0 dB gain | | 21 | | kΩ |
| | 6 dB gain | | 10.5 | | kΩ |
| PGA Inverting Inputs | | | | | |
| | -12 dB gain | | 84.5 | | kΩ |
| | 0 dB gain | | 53 | | kΩ |
| | 35.25 dB gain | | 2 | | kΩ |
| PGA Noninverting Inputs | | | | | |
| | All gains | | 105 | | kΩ |
| SINGLE-ENDED LINE INPUT | | | | | |
| Full-Scale Input Voltage (0 dB) | | | | | |
| | Scales linearly with AVDD | | AVDD/3.3 | | V rms |
| | AVDD = 1.8 V | | 0.55 (1.56) | | V rms (V p-p) |
| | AVDD = 3.3 V | | 1.0 (2.83) | | V rms (V p-p) |
| Dynamic Range | | | | | |
| 20 Hz to 20 kHz, -60 dB input | | | | | |
| With A-Weighted Filter (RMS) | | | | | |
| | AVDD = 1.8 V | | 94 | | dB |
| | AVDD = 3.3 V | | 99 | | dB |
| No Filter (RMS) | | | | | |
| | AVDD = 1.8 V | | 91 | | dB |
| | AVDD = 3.3 V | | 96 | | dB |
| Total Harmonic Distortion + Noise | | | | | |
| | -1 dBFS | | | | |
| | AVDD = 1.8 V | | -88 | | dB |
| | AVDD = 3.3 V | | -90 | | dB |
| Signal-to-Noise Ratio | | | | | |
| With A-Weighted Filter (RMS) | | | | | |
| | AVDD = 1.8 V | | 94 | | dB |
| | AVDD = 3.3 V | | 99 | | dB |
| No Filter (RMS) | | | | | |
| | AVDD = 1.8 V | | 91 | | dB |
| | AVDD = 3.3 V | | 96 | | dB |
| Gain per Step | | | | | |
| | | | 3 | | dB |
| Total Gain Range | | | | | |
| | | -12 | | +6 | dB |
| Mute Attenuation | | | | | |
| | | | -87 | | dB |
| Interchannel Gain Mismatch | | | | | |
| | | | 0.005 | | dB |
| Offset Error | | | | | |
| | | | 0 | | mV |
| Gain Error | | | | | |
| | | | -12 | | % |
| Interchannel Isolation | | | | | |
| | | | 68 | | dB |
| Power Supply Rejection Ratio | | | | | |
| | CM capacitor = 20 μF | | | | |
| | 100 mV p-p @ 217 Hz | | 65 | | dB |
| | 100 mV p-p @ 1 kHz | | 67 | | dB |

| Parameter | Test Conditions/Comments | Min | Typ | Max | Unit |
|--------------------------------------|--|-----|---------------------------------------|--------|---|
| PSEUDO-DIFFERENTIAL PGA INPUT | | | | | |
| Full-Scale Input Voltage (0 dB) | Scales linearly with AVDD AVDD = 1.8 V AVDD = 3.3 V | | AVDD/3.3 0.55 (1.56) 1.0 (2.83) | | V rms V rms (V p-p) V rms (V p-p) |
| Dynamic Range | 20 Hz to 20 kHz, –60 dB input | | | | |
| With A-Weighted Filter (RMS) | AVDD = 1.8 V AVDD = 3.3 V | | 92 98 | | dB dB |
| No Filter (RMS) | AVDD = 1.8 V AVDD = 3.3 V | | 90 95 | | dB dB |
| Total Harmonic Distortion + Noise | –1 dBFS AVDD = 1.8 V AVDD = 3.3 V | | –88 –89 | | dB dB |
| Signal-to-Noise Ratio | | | | | |
| With A-Weighted Filter (RMS) | AVDD = 1.8 V AVDD = 3.3 V | | 92 98 | | dB dB |
| No Filter (RMS) | AVDD = 1.8 V AVDD = 3.3 V | | 90 95 | | dB dB |
| Volume Control Step | PGA gain | | 0.75 | | dB |
| Volume Control Range | PGA gain | –12 | | +35.25 | dB |
| PGA Boost | | | 20 | | dB |
| Mute Attenuation | | | –87 | | dB |
| Interchannel Gain Mismatch | | | 0.005 | | dB |
| Offset Error | | | 0 | | mV |
| Gain Error | | | –14 | | % |
| Interchannel Isolation | | | 83 | | dB |
| Common-Mode Rejection Ratio | 100 mV rms, 1 kHz 100 mV rms, 20 kHz | | 65 65 | | dB dB |
| FULL DIFFERENTIAL PGA INPUT | | | | | |
| Full-Scale Input Voltage (0 dB) | Differential PGA inputs Scales linearly with AVDD AVDD = 1.8 V AVDD = 3.3 V | | AVDD/3.3 0.55 (1.56) 1.0 (2.83) | | V rms V rms (V p-p) V rms (V p-p) |
| Dynamic Range | 20 Hz to 20 kHz, –60 dB input | | | | |
| With A-Weighted Filter (RMS) | AVDD = 1.8 V AVDD = 3.3 V | | 92 98 | | dB dB |
| No Filter (RMS) | AVDD = 1.8 V AVDD = 3.3 V | | 90 95 | | dB dB |
| Total Harmonic Distortion + Noise | –1 dBFS AVDD = 1.8 V AVDD = 3.3 V | | –70 –78 | | dB dB |
| Signal-to-Noise Ratio | | | | | |
| With A-Weighted Filter (RMS) | AVDD = 1.8 V AVDD = 3.3 V | | 92 98 | | dB dB |
| No Filter (RMS) | AVDD = 1.8 V AVDD = 3.3 V | | 90 95 | | dB dB |
| Volume Control Step | PGA gain | | 0.75 | | dB |
| Volume Control Range | PGA gain | –12 | | +35.25 | dB |
| PGA Boost | | | 20 | | dB |
| Mute Attenuation | | | –87 | | dB |
| Interchannel Gain Mismatch | | | 0.005 | | dB |
| Offset Error | | | 0 | | mV |
| Gain Error | | | –14 | | % |

| Parameter | Test Conditions/Comments | Min | Typ | Max | Unit |
|-----------------------------------|---|-----|-------------|-----|---------------|
| Interchannel Isolation | | | 83 | | dB |
| Common-Mode Rejection Ratio | 100 mV rms, 1 kHz | | 65 | | dB |
| | 100 mV rms, 20 kHz | | 65 | | dB |
| MICROPHONE BIAS | MBIEN = 1 | | | | |
| Bias Voltage | | | | | V |
| 0.65 × AVDD | AVDD = 1.8 V, MBI = 1 | | 1.17 | | V |
| | AVDD = 3.3 V, MBI = 1 | | 2.145 | | V |
| 0.90 × AVDD | AVDD = 1.8 V, MBI = 0 | | 1.62 | | V |
| | AVDD = 3.3 V, MBI = 0 | | 2.97 | | V |
| Bias Current Source | AVDD = 3.3 V, MBI = 0, MPERF = 1 | | | 3 | mA |
| Noise in the Signal Bandwidth | AVDD = 3.3 V, 1 kHz to 20 kHz | | | | nV/√Hz |
| | MBI = 0, MPERF = 0 | | 42 | | nV/√Hz |
| | MBI = 0, MPERF = 1 | | 85 | | nV/√Hz |
| | MBI = 1, MPERF = 0 | | 25 | | nV/√Hz |
| | MBI = 1, MPERF = 1 | | 37 | | nV/√Hz |
| DIGITAL-TO-ANALOG CONVERTERS | DAC performance excludes mixers and headphone amplifier | | | | |
| DAC Resolution | All DACs | | 24 | | Bits |
| Digital Attenuation Step | | | 0.375 | | dB |
| Digital Attenuation Range | | | 95 | | dB |
| DAC TO LINE OUTPUT | | | | | |
| Full-Scale Output Voltage (0 dB) | Scales linearly with AVDD | | AVDD/3.3 | | V rms |
| | AVDD = 1.8 V | | 0.50 (1.41) | | V rms (V p-p) |
| | AVDD = 3.3 V | | 0.92 (2.60) | | V rms (V p-p) |
| Analog Volume Control Step | Line output volume control | | 0.75 | | dB |
| Analog Volume Control Range | Line output volume control | -57 | 1 | +6 | dB |
| Mute Attenuation | | | -87 | | dB |
| Dynamic Range | 20 Hz to 20 kHz, -60 dB input, line output mode | | | | |
| With A-Weighted Filter (RMS) | AVDD = 1.8 V | | 96 | | dB |
| | AVDD = 3.3 V | | 101 | | dB |
| No Filter (RMS) | AVDD = 1.8 V | | 93.5 | | dB |
| | AVDD = 3.3 V | | 98 | | dB |
| Total Harmonic Distortion + Noise | -1 dBFS, line output mode | | | | dB |
| | AVDD = 1.8 V | | -90 | | dB |
| | AVDD = 3.3 V | | -92 | | dB |
| Signal-to-Noise Ratio | Line output mode | | | | |
| With A-Weighted Filter (RMS) | AVDD = 1.8 V | | 96 | | dB |
| | AVDD = 3.3 V | | 101 | | dB |
| No Filter (RMS) | AVDD = 1.8 V | | 93.5 | | dB |
| | AVDD = 3.3 V | | 98 | | dB |
| Power Supply Rejection Ratio | CM capacitor = 20 μF | | | | |
| | 100 mV p-p @ 217 Hz | | 56 | | dB |
| | 100 mV p-p @ 1 kHz | | 70 | | dB |
| Gain Error | | | 3 | | % |
| Interchannel Gain Mismatch | | | 0.005 | | dB |
| Offset Error | | | 0 | | mV |
| Interchannel Isolation | 1 kHz, 0 dBFS input signal | | 100 | | dB |

| Parameter | Test Conditions/Comments | Min | Typ | Max | Unit |
|-----------------------------------|---|-----|--|-----|---|
| DAC TO HEADPHONE/EARPIECE OUTPUT | P_o = output power per channel | | | | |
| Full-Scale Output Voltage (0 dB) | Scales linearly with AVDD AVDD = 1.8 V AVDD = 3.3 V | | AVDD/3.3 0.50 (1.41) 0.92 (2.60) | | V rms V rms (V p-p) V rms (V p-p) |
| Total Harmonic Distortion + Noise | -4 dBFS | | | | |
| 16 Ω load | AVDD = 1.8 V, P_o = 6.4 mW | | -76 | | dB |
| 32 Ω load | AVDD = 3.3 V, P_o = 21.1 mW AVDD = 1.8 V, P_o = 3.8 mW AVDD = 3.3 V, P_o = 10.6 mW | | -82 -82 -82 | | dB dB dB |
| Power Supply Rejection Ratio | CM capacitor = 20 μ F 100 mV p-p @ 217 Hz | | 56 | | dB |
| Interchannel Isolation | 100 mV p-p @ 1 kHz 1 kHz, 0 dBFS input signal, 32 Ω load, AVDD = 3.3 V Referred to GND Referred to CM (capless headphone mode) | | 67 73 50 | | dB dB dB |
| REFERENCE | | | | | |
| Common-Mode Reference Output | CM pin | | AVDD/2 | | V |

POWER SUPPLY SPECIFICATIONS

Table 2.

| Parameter | Test Conditions/Comments | Min | Typ | Max | Unit |
|-------------------------------------|---|------|------|------|------|
| SUPPLIES | | | | | |
| Voltage | DVDDOUT | | 1.56 | | V |
| | AVDD | 1.8 | 3.3 | 3.65 | V |
| | IOVDD | 1.63 | 3.3 | 3.65 | V |
| Digital I/O Current (IOVDD = 1.8 V) | 20 pF capacitive load on all digital pins | | | | |
| Slave Mode | f_s = 48 kHz | | 0.25 | | mA |
| | f_s = 96 kHz | | 0.48 | | mA |
| Master Mode | f_s = 8 kHz | | 0.07 | | mA |
| | f_s = 48 kHz | | 0.62 | | mA |
| | f_s = 96 kHz | | 1.23 | | mA |
| | f_s = 8 kHz | | 0.11 | | mA |
| Digital I/O Current (IOVDD = 3.3 V) | 20 pF capacitive load on all digital pins | | | | |
| Slave Mode | f_s = 48 kHz | | 0.48 | | mA |
| | f_s = 96 kHz | | 0.9 | | mA |
| | f_s = 8 kHz | | 0.13 | | mA |
| Master Mode | f_s = 48 kHz | | 1.51 | | mA |
| | f_s = 96 kHz | | 3 | | mA |
| | f_s = 8 kHz | | 0.27 | | mA |
| Analog Current (AVDD) | See Table 3 | | | | |

TYPICAL CURRENT CONSUMPTION

Master clock = 12.288 MHz, input sample rate = 48 kHz, input tone = 1 kHz, normal power management settings, ADC input @ -1 dBFS, DAC input @ 0 dBFS. For total power consumption, add the IOVDD current listed in Table 2.

Table 3.

| Operating Voltage | Audio Path | Clock Generation | Typical AVDD Current Consumption (mA) |
|----------------------|---|----------------------------|---------------------------------------|
| AVDD = IOVDD = 3.3 V | Record stereo differential to ADC | Direct MCLK Integer PLL | 5.24 6.57 |
| | DAC stereo playback to line output (10 kΩ) | Direct MCLK Integer PLL | 5.55 6.90 |
| | DAC stereo playback to headphone (16 Ω) | Direct MCLK Integer PLL | 55.5 56.8 |
| | DAC stereo playback to headphone (32 Ω) | Direct MCLK Integer PLL | 30.9 32.25 |
| | DAC stereo playback to capless headphone (32 Ω) | Direct MCLK Integer PLL | 56.75 58 |
| | Record aux stereo bypass to line output (10 kΩ) | Direct MCLK Integer PLL | 1.9 3.3 |
| AVDD = IOVDD = 1.8 V | Record stereo differential to ADC | Direct MCLK Integer PLL | 4.25 5.55 |
| | DAC stereo playback to line output (10 kΩ) | Direct MCLK Integer PLL | 4.7 5.7 |
| | DAC stereo playback to headphone (16 Ω) | Direct MCLK Integer PLL | 30.81 32 |
| | DAC stereo playback to headphone (32 Ω) | Direct MCLK Integer PLL | 18.3 19.5 |
| | DAC stereo playback to capless headphone (32 Ω) | Direct MCLK Integer PLL | 32.6 33.7 |
| | Record aux stereo bypass to line output (10 kΩ) | Direct MCLK Integer PLL | 1.9 3.07 |

TYPICAL POWER MANAGEMENT MEASUREMENTS

Master clock = 12.288 MHz, integer PLL, input sample rate = 48 kHz, input tone = 1 kHz. Pseudo-differential input to ADCs, DACs to line output with 10 kΩ load. ADC input @ -1 dBFS, DAC input @ 0 dBFS. In Table 4, the mixer boost and power management conditions are set for MXBIAS[1:0], ADCBIAS[1:0], HPBIAS[1:0], and DACBIAS[1:0]. RBIAS[1:0] and PBIAS[1:0] do not have an extreme power saving mode and are therefore set for power saving mode in the extreme power saving rows in Table 4.

Table 4.

| Operating Voltage | Power Management Setting | Mixer Boost Setting | Typical AVDD Current Consumption (mA) | Typical ADC THD + N (dB) | Typical Line Output THD + N (dB) |
|----------------------|--------------------------|---------------------|---------------------------------------|--------------------------|----------------------------------|
| AVDD = IOVDD = 3.3 V | Normal (default) | Normal operation | 9.6 | -91 | -92.5 |
| | | Boost Level 1 | 9.75 | -91.5 | -92.5 |
| | | Boost Level 2 | 9.92 | -91.5 | -92.5 |
| | | Boost Level 3 | 10.25 | -91.5 | -92.5 |
| | Extreme power saving | Normal operation | 7.09 | -84.5 | -87 |
| | | Boost Level 1 | 7.19 | -84.8 | -87.1 |
| | | Boost Level 2 | 7.29 | -84.8 | -87.1 |
| | | Boost Level 3 | 7.49 | -85 | -87.1 |
| | Power saving | Normal operation | 7.67 | -89.5 | -90 |
| | | Boost Level 1 | 7.77 | -89.5 | -90 |
| | | Boost Level 2 | 7.86 | -89.8 | -90 |
| | | Boost Level 3 | 8.07 | -89.8 | -90 |
| | Enhanced performance | Normal operation | 10.55 | -91 | -93.5 |
| | | Boost Level 1 | 10.74 | -91 | -93.5 |
| | | Boost Level 2 | 10.93 | -91 | -93.5 |
| | | Boost Level 3 | 11.33 | -91 | -93.5 |
| AVDD = IOVDD = 1.8 V | Normal (default) | Normal operation | 8.1 | -88 | -91.2 |
| | | Boost Level 1 | 8.26 | -88 | -91.2 |
| | | Boost Level 2 | 8.41 | -88 | -91.2 |
| | | Boost Level 3 | 8.73 | -88 | -91.2 |
| | Extreme power saving | Normal operation | 5.73 | -85 | -86 |
| | | Boost Level 1 | 5.82 | -85.4 | -86 |
| | | Boost Level 2 | 5.91 | -85.5 | -86 |
| | | Boost Level 3 | 6.1 | -85.5 | -86 |
| | Power saving | Normal operation | 6.27 | -86 | -89.4 |
| | | Boost Level 1 | 6.36 | -86.1 | -89.5 |
| | | Boost Level 2 | 6.46 | -86.3 | -89.5 |
| | | Boost Level 3 | 6.65 | -86.3 | -89.5 |
| | Enhanced performance | Normal operation | 9.01 | -88 | -91.5 |
| | | Boost Level 1 | 9.2 | -88 | -91.5 |
| | | Boost Level 2 | 9.38 | -88 | -91.5 |
| | | Boost Level 3 | 9.76 | -88 | -91.5 |

DIGITAL FILTERS

Table 5.

| Parameter | Mode | Factor | Min | Typ | Max | Unit |
|--------------------------|---------------------------|------------------------|-----|--------|-------|------|
| ADC DECIMATION FILTER | All modes, typ @ 48 kHz | | | | | |
| Pass Band | | 0.4375 f _s | | 21 | | kHz |
| Pass-Band Ripple | | | | ±0.015 | | dB |
| Transition Band | | 0.5 f _s | | 24 | | kHz |
| Stop Band | | 0.5625 f _s | | 27 | | kHz |
| Stop-Band Attenuation | | | | 67 | | dB |
| Group Delay | | 22.9844/f _s | | 479 | | µs |
| DAC INTERPOLATION FILTER | | | | | | |
| Pass Band | 48 kHz mode, typ @ 48 kHz | 0.4535 f _s | | 22 | | kHz |
| | 96 kHz mode, typ @ 96 kHz | 0.3646 f _s | | 35 | | kHz |
| Pass-Band Ripple | 48 kHz mode, typ @ 48 kHz | | | | ±0.01 | dB |
| | 96 kHz mode, typ @ 96 kHz | | | | ±0.05 | dB |
| Transition Band | 48 kHz mode, typ @ 48 kHz | 0.5 f _s | | 24 | | kHz |
| | 96 kHz mode, typ @ 96 kHz | 0.5 f _s | | 48 | | kHz |
| Stop Band | 48 kHz mode, typ @ 48 kHz | 0.5465 f _s | | 26 | | kHz |
| | 96 kHz mode, typ @ 96 kHz | 0.6354 f _s | | 61 | | kHz |
| Stop-Band Attenuation | 48 kHz mode, typ @ 48 kHz | | | 69 | | dB |
| | 96 kHz mode, typ @ 96 kHz | | | 68 | | dB |
| Group Delay | 48 kHz mode, typ @ 48 kHz | 25/f _s | | 521 | | µs |
| | 96 kHz mode, typ @ 96 kHz | 11/f _s | | 115 | | µs |

DIGITAL INPUT/OUTPUT SPECIFICATIONS

-40°C < T_A < +85°C, IOVDD = 3.3 V ± 10%.

Table 6.

| Parameter | Test Conditions/Comments | Min | Typ | Max | Unit |
|--|--|-------------|-----|-------|------|
| INPUT SPECIFICATIONS | | | | | |
| Input Voltage High (V _{IH}) | | 0.7 × IOVDD | | | V |
| Input Voltage Low (V _{IL}) | | 0.3 × IOVDD | | | V |
| Input Leakage | | | | | |
| Pull-Ups/Pull-Downs Disabled | I _{IH} @ V _{IH} = 3.3 V | -0.17 | | +0.17 | µA |
| | I _{IL} @ V _{IL} = 0 V | -0.17 | | +0.17 | µA |
| | I _{IL} @ V _{IL} = 0 V (MCLK pin) | -13.5 | | -0.5 | µA |
| Pull-Ups Enabled | I _{IH} @ V _{IH} = 3.3 V | -0.7 | | +0.7 | µA |
| | I _{IL} @ V _{IL} = 0 V | -13.5 | | -0.5 | µA |
| Pull-Downs Enabled | I _{IH} @ V _{IH} = 3.3 V | 2.7 | | 8.3 | µA |
| | I _{IL} @ V _{IL} = 0 V | -0.18 | | +0.18 | µA |
| Input Capacitance | | | | 5 | pF |
| OUTPUT SPECIFICATIONS | | | | | |
| Output Voltage High (V _{OH}) | I _{OH} = 2 mA @ 3.3 V, 0.85 mA @ 1.8 V | 0.8 × IOVDD | | | V |
| Output Voltage Low (V _{OL}) | I _{OL} = 2 mA @ 3.3 V, 0.85 mA @ 1.8 V | 0.1 × IOVDD | | | V |

DIGITAL TIMING SPECIFICATIONS-40°C < T_A < +85°C, IOVDD = 3.3 V ± 10%.**Table 7. Digital Timing**

| Parameter | Limit | | Unit | Description |
|----------------------------|------------------|------------------|------|---|
| | t _{MIN} | t _{MAX} | | |
| MASTER CLOCK | | | | |
| t _{MP} | 74 | 488 | ns | MCLK period, 256 × f _S mode. |
| t _{MP} | 37 | 244 | ns | MCLK period, 512 × f _S mode. |
| t _{MP} | 24.7 | 162.7 | ns | MCLK period, 768 × f _S mode. |
| t _{MP} | 18.5 | 122 | ns | MCLK period, 1024 × f _S mode. |
| SERIAL PORT | | | | |
| t _{BIL} | 5 | | ns | BCLK pulse width low. |
| t _{BIH} | 5 | | ns | BCLK pulse width high. |
| t _{LIS} | 5 | | ns | LRCLK setup. Time to BCLK rising. |
| t _{LIH} | 5 | | ns | LRCLK hold. Time from BCLK rising. |
| t _{SIS} | 5 | | ns | DAC_SDATA setup. Time to BCLK rising. |
| t _{SIH} | 5 | | ns | DAC_SDATA hold. Time from BCLK rising. |
| t _{SOD} | | 50 | ns | ADC_SDATA delay. Time from BCLK falling in master or slave mode. Full range of IOVDD. |
| | | 25 | ns | ADC_SDATA delay. Time from BCLK falling in master or slave mode. IOVDD = 3.3 V ± 10%. |
| SPI PORT | | | | |
| f _{CCLK} | | 10 | MHz | CCLK frequency. |
| t _{CCPL} | 10 | | ns | CCLK pulse width low. |
| t _{CCPH} | 10 | | ns | CCLK pulse width high. |
| t _{CLS} | 5 | | ns | <u>CLATCH</u> setup. Time to CCLK rising. |
| t _{CLH} | 10 | | ns | <u>CLATCH</u> hold. Time from CCLK rising. |
| t _{CLPH} | 10 | | ns | <u>CLATCH</u> pulse width high. |
| t _{CDS} | 5 | | ns | CDATA setup. Time to CCLK rising. |
| t _{CDH} | 5 | | ns | CDATA hold. Time from CCLK rising. |
| t _{COD} | | 50 | ns | COUT three-stated. Time from <u>CLATCH</u> rising. |
| I²C PORT | | | | |
| f _{SCL} | | 400 | kHz | SCL frequency. |
| t _{SCLH} | 0.6 | | μs | SCL high. |
| t _{SCLL} | 1.3 | | μs | SCL low. |
| t _{SCS} | 0.6 | | μs | Setup time; relevant for repeated start condition. |
| t _{SCH} | 0.6 | | μs | Hold time. After this period, the first clock is generated. |
| t _{DS} | 100 | | ns | Data setup time. |
| t _{SCR} | | 300 | ns | SCL rise time. |
| t _{SCF} | | 300 | ns | SCL fall time. |
| t _{SDR} | | 300 | ns | SDA rise time. |
| t _{SDF} | | 300 | ns | SDA fall time. |
| t _{BFT} | 0.6 | | μs | Bus-free time. Time between stop and start. |
| DIGITAL MICROPHONE | | | | |
| t _{DCF} | | 10 | ns | R _{LOAD} = 1 MΩ, C _{LOAD} = 14 pF. Digital microphone clock fall time. |
| t _{DCR} | | 10 | ns | Digital microphone clock rise time. |
| t _{DDV} | 22 | 30 | ns | Digital microphone delay time for valid data. |
| t _{DDH} | 0 | 12 | ns | Digital microphone delay time for data three-stated. |

DIGITAL TIMING DIAGRAMS

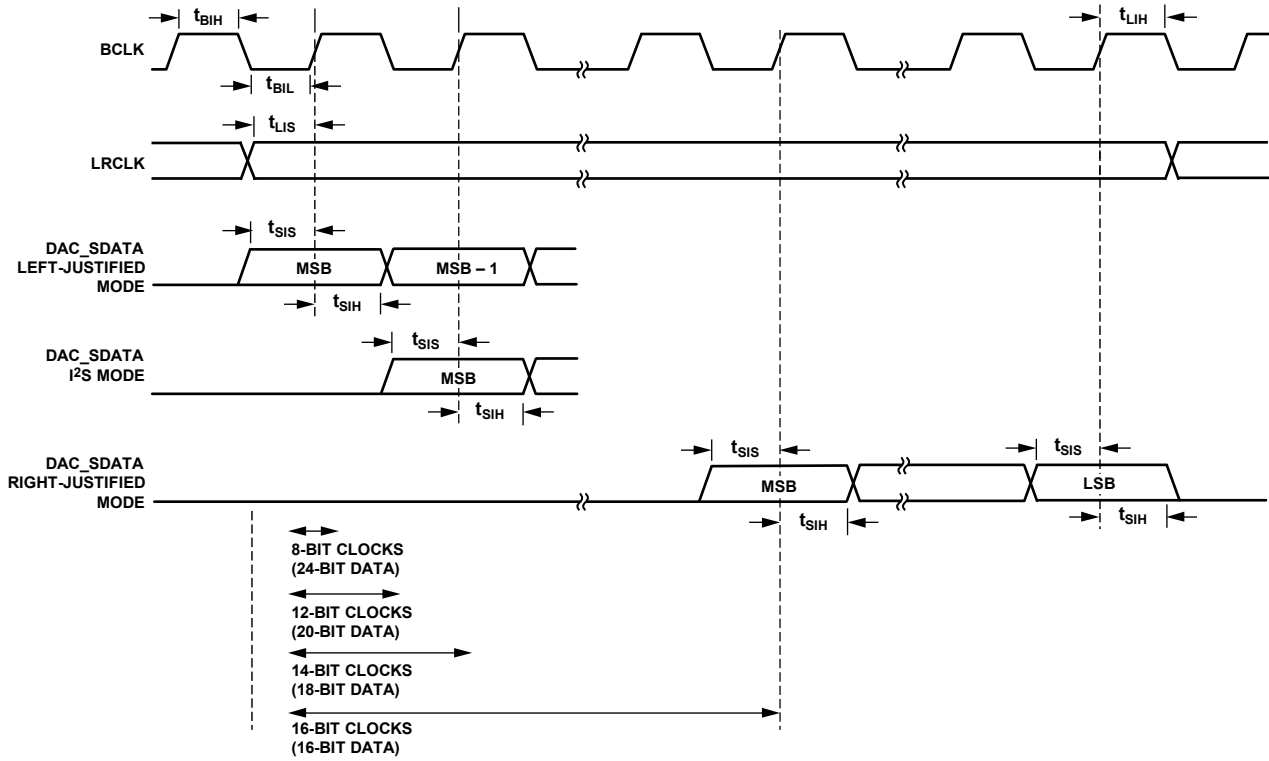


Figure 2. Serial Input Port Timing

07675-002

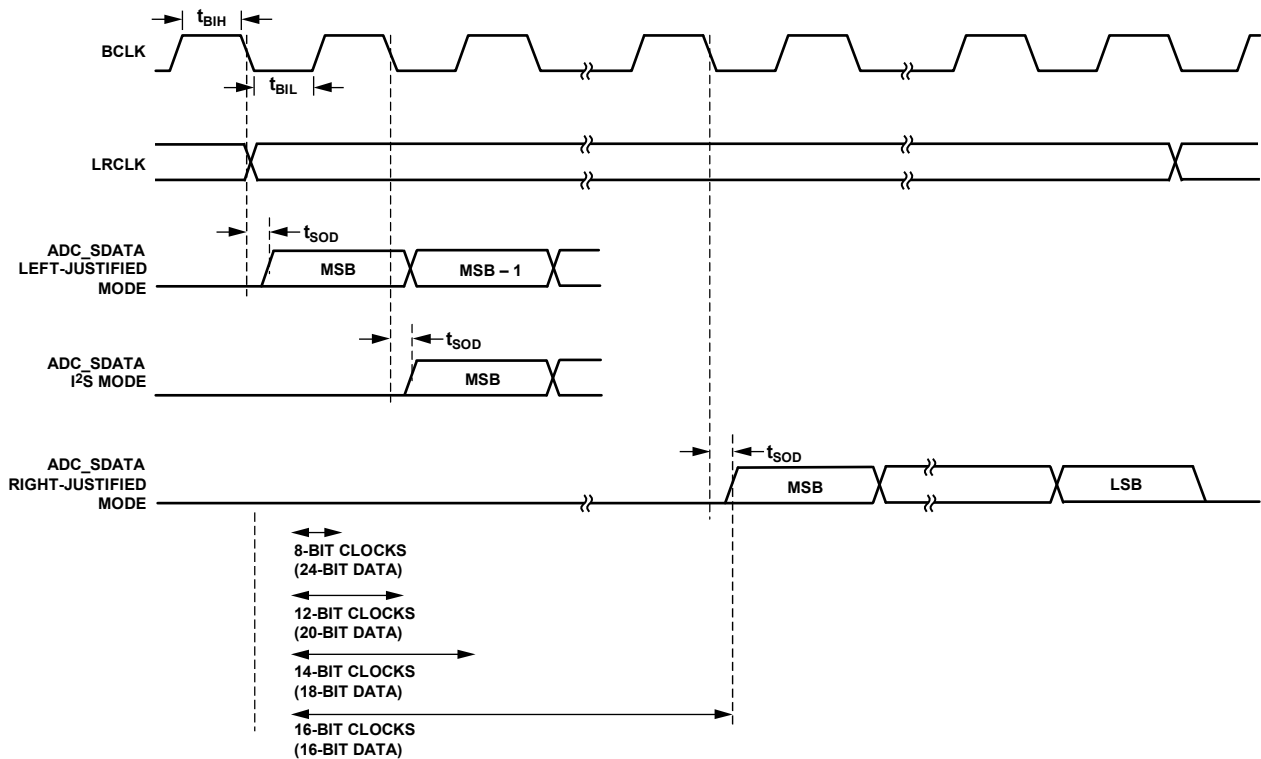


Figure 3. Serial Output Port Timing

07675-003



Figure 4. SPI Port Timing

07679-004

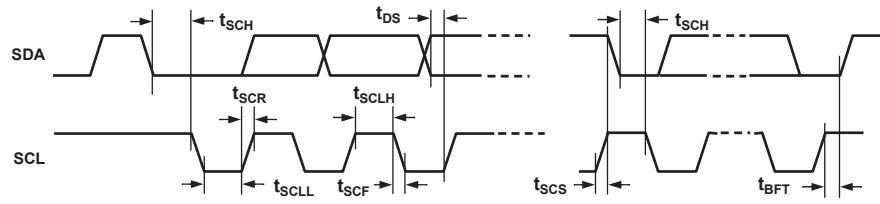


Figure 5. I²C Port Timing

07679-005

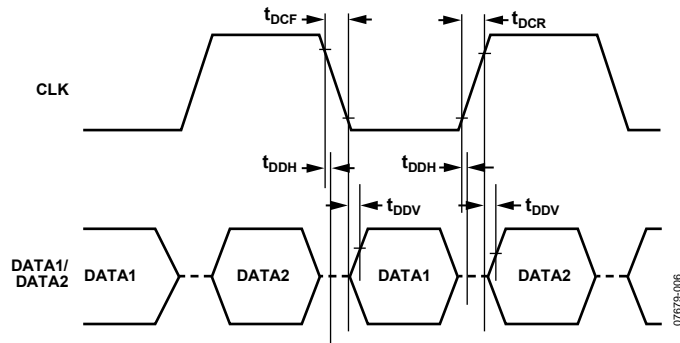


Figure 6. Digital Microphone Timing

07679-006

ABSOLUTE MAXIMUM RATINGS

Table 8.

| Parameter | Rating |
|-------------------------------------|-------------------------|
| Power Supply (AVDD) | -0.3 V to +3.65 V |
| Input Current (Except Supply Pins) | ±20 mA |
| Analog Input Voltage (Signal Pins) | -0.3 V to AVDD + 0.3 V |
| Digital Input Voltage (Signal Pins) | -0.3 V to IOVDD + 0.3 V |
| Operating Temperature Range | -40°C to +85°C |
| Storage Temperature Range | -65°C to +150°C |

Stresses at or above those listed under Absolute Maximum Ratings may cause permanent damage to the product. This is a stress rating only; functional operation of the product at these or any other conditions above those indicated in the operational section of this specification is not implied. Operation beyond the maximum operating conditions for extended periods may affect product reliability.

THERMAL RESISTANCE

θ_{JA} represents thermal resistance, junction-to-ambient; θ_{JC} represents thermal resistance, junction-to-case. All characteristics are for a 4-layer board.

Table 9. Thermal Resistance

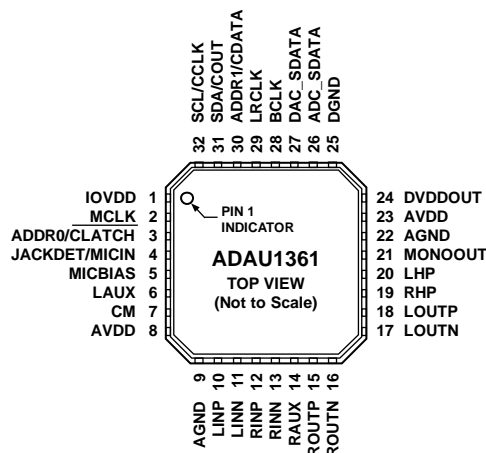
| Package Type | θ_{JA} | θ_{JC} | Unit |
|---------------|---------------|---------------|------|
| 32-Lead LFCSP | 50.1 | 17 | °C/W |

ESD CAUTION



ESD (electrostatic discharge) sensitive device. Charged devices and circuit boards can discharge without detection. Although this product features patented or proprietary protection circuitry, damage may occur on devices subjected to high energy ESD. Therefore, proper ESD precautions should be taken to avoid performance degradation or loss of functionality.

PIN CONFIGURATION AND FUNCTION DESCRIPTIONS



NOTES

1. THE EXPOSED PAD IS CONNECTED INTERNALLY TO THE ADAU1361 GROUNDS. FOR INCREASED RELIABILITY OF THE SOLDER JOINTS AND MAXIMUM THERMAL CAPABILITY, IT IS RECOMMENDED THAT THE PAD BE SOLDERED TO THE GROUND PLANE.

07679-007

Figure 7. Pin Configuration

Table 10. Pin Function Descriptions

| Pin No. | Mnemonic | Type ¹ | Description |
|---------|---------------|-------------------|--|
| 1 | IOVDD | PWR | Supply for Digital Input and Output Pins. The digital output pins are supplied from IOVDD, which also sets the highest input voltage that should be seen on the digital input pins. IOVDD should be set between 1.8 V and 3.3 V. The current draw of this pin is variable because it is dependent on the loads of the digital outputs. IOVDD should be decoupled to DGND with a 100 nF capacitor and a 10 μ F capacitor. |
| 2 | MCLK | D_IN | External Master Clock Input. |
| 3 | ADDR0/CLATCH | D_IN | I ² C Address Bit 0 (ADDR0). SPI Latch Signal ($\overline{\text{CLATCH}}$). Must go low at the beginning of an SPI transaction and high at the end of a transaction. Each SPI transaction can take a different number of CCLKs to complete, depending on the address and read/write bit that are sent at the beginning of the SPI transaction. |
| 4 | JACKDET/MICIN | D_IN | Detect Insertion/Removal of Headphone Plug (JACKDET). Digital Microphone Stereo Input (MICIN). |
| 5 | MICBIAS | A_OUT | Bias Voltage for Electret Microphone. |
| 6 | LAUX | A_IN | Left Channel Single-Ended Auxiliary Input. Biased at AVDD/2. |
| 7 | CM | A_OUT | AVDD/2 V Common-Mode Reference. A 10 μ F to 47 μ F standard decoupling capacitor should be connected between this pin and AGND to reduce crosstalk between the ADCs and DACs. This pin can be used to bias external analog circuits, as long as they are not drawing current from CM (for example, the noninverting input of an op amp). |
| 8 | AVDD | PWR | 1.8 V to 3.65 V Analog Supply for DAC and Microphone Bias. This pin should be decoupled locally to AGND with a 100 nF capacitor. |
| 9 | AGND | PWR | Analog Ground. The AGND and DGND pins can be tied together on a common ground plane. AGND should be decoupled locally to AVDD with a 100 nF capacitor. |
| 10 | LINP | A_IN | Left Channel Noninverting Input or Single-Ended Input 0. Biased at AVDD/2. |
| 11 | LINN | A_IN | Left Channel Inverting Input or Single-Ended Input 1. Biased at AVDD/2. |
| 12 | RINP | A_IN | Right Channel Noninverting Input or Single-Ended Input 2. Biased at AVDD/2. |
| 13 | RINN | A_IN | Right Channel Inverting Input or Single-Ended Input 3. Biased at AVDD/2. |
| 14 | RAUX | A_IN | Right Channel Single-Ended Auxiliary Input. Biased at AVDD/2. |
| 15 | ROUTP | A_OUT | Right Line Output, Positive. Biased at AVDD/2. |
| 16 | ROUTN | A_OUT | Right Line Output, Negative. Biased at AVDD/2. |
| 17 | LOUTN | A_OUT | Left Line Output, Negative. Biased at AVDD/2. |
| 18 | LOUPT | A_OUT | Left Line Output, Positive. Biased at AVDD/2. |

| Pin No. | Mnemonic | Type ¹ | Description |
|---------|-------------|-------------------|--|
| 19 | RHP | A_OUT | Right Headphone Output. Biased at AVDD/2. |
| 20 | LHP | A_OUT | Left Headphone Output. Biased at AVDD/2. |
| 21 | MONOOUT | A_OUT | Mono Output or Virtual Ground for Capless Headphone. Biased at AVDD/2 when set as mono output. |
| 22 | AGND | PWR | Analog Ground. The AGND and DGND pins can be tied together on a common ground plane. AGND should be decoupled locally to AVDD with a 100 nF capacitor. |
| 23 | AVDD | PWR | 1.8 V to 3.3 V Analog Supply for ADC, Output Driver, and Input to Digital Supply Regulator. This pin should be decoupled locally to AGND with a 100 nF capacitor. |
| 24 | DVDDOUT | PWR | Digital Core Supply Decoupling Point. The digital supply is generated from an on-board regulator and does not require an external supply. DVDDOUT should be decoupled to DGND with a 100 nF capacitor and a 10 µF capacitor. |
| 25 | DGND | PWR | Digital Ground. The AGND and DGND pins can be tied together on a common ground plane. DGND should be decoupled to DVDDOUT and to IOVDD with 100 nF capacitors and 10 µF capacitors. |
| 26 | ADC_SDATA | D_OUT | ADC Serial Output Data. |
| 27 | DAC_SDATA | D_IN | DAC Serial Input Data. |
| 28 | BCLK | D_IO | Serial Data Port Bit Clock. |
| 29 | LRCLK | D_IO | Serial Data Port Frame Clock. |
| 30 | ADDR1/CDATA | D_IN | I ² C Address Bit 1 (ADDR1). SPI Data Input (CDATA). |
| 31 | SDA/COUT | D_IO | I ² C Data (SDA). This pin is a bidirectional open-collector input/output. The line connected to this pin should have a 2 kΩ pull-up resistor. SPI Data Output (COUT). This pin is used for reading back registers and memory locations. It is three-state when an SPI read is not active. |
| 32 | SCL/CCLK | D_IN | I ² C Clock (SCL). This pin is always an open-collector input when in I ² C control mode. The line connected to this pin should have a 2 kΩ pull-up resistor. SPI Clock (CCLK). This pin can run continuously or be gated off between SPI transactions. |
| EP | Exposed Pad | | Exposed Pad. The exposed pad is connected internally to the ADAU1361 grounds. For increased reliability of the solder joints and maximum thermal capability, it is recommended that the pad be soldered to the ground plane. See the Exposed Pad PCB Design section for more information. |

¹ A_IN = analog input, A_OUT = analog output, D_IN = digital input, D_IO = digital input/output, D_OUT = digital output, PWR = power.

TYPICAL PERFORMANCE CHARACTERISTICS



Figure 8. Headphone Amplifier Power vs. Input Level, 16 Ω Load

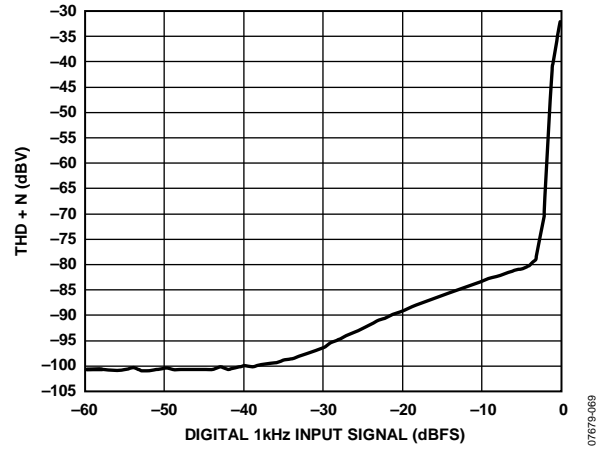


Figure 11. Headphone Amplifier THD + N vs. Input Level, 16 Ω Load



Figure 9. Headphone Amplifier Power vs. Input Level, 32 Ω Load

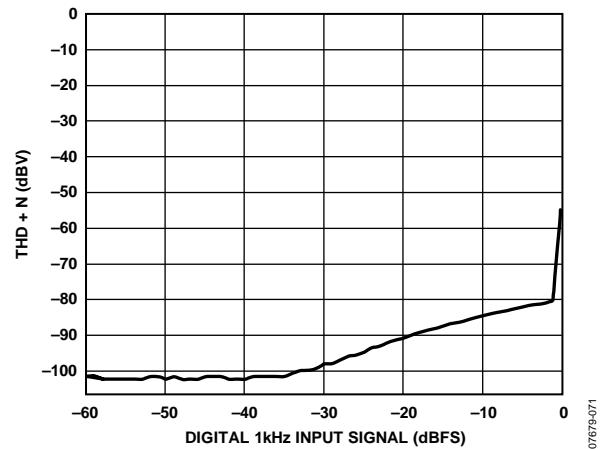


Figure 12. Headphone Amplifier THD + N vs. Input Level, 32 Ω Load



Figure 10. ADC Decimation Filter, 64× Oversampling, Normalized to f_s

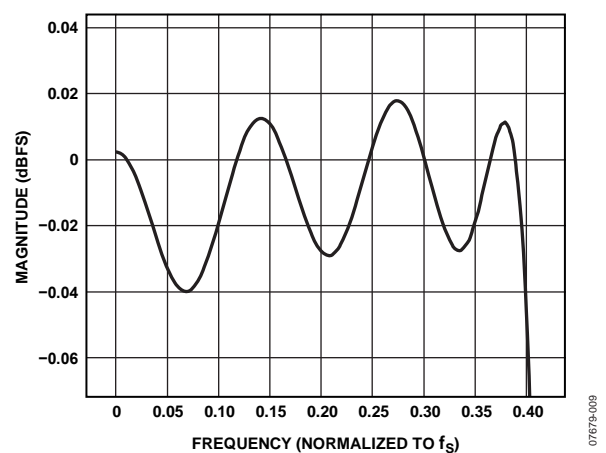


Figure 13. ADC Decimation Filter Pass-Band Ripple, 64× Oversampling, Normalized to f_s



Figure 14. ADC Decimation Filter, 128× Oversampling, Normalized to f_s



Figure 17. ADC Decimation Filter Pass-Band Ripple, 128× Oversampling, Normalized to f_s



Figure 15. ADC Decimation Filter, 128× Oversampling, Double-Rate Mode, Normalized to f_s



Figure 18. ADC Decimation Filter Pass-Band Ripple, 128× Oversampling, Double-Rate Mode, Normalized to f_s

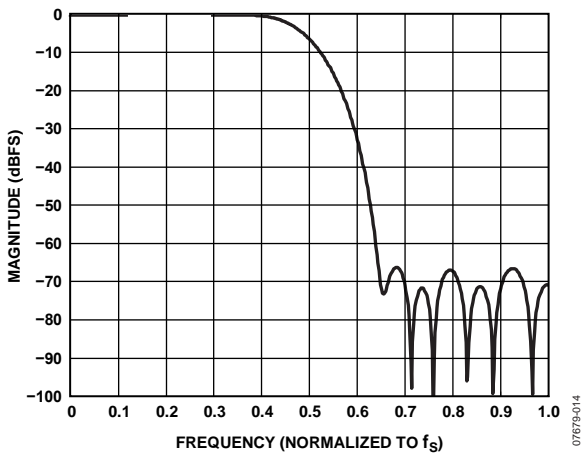


Figure 16. DAC Interpolation Filter, 64× Oversampling, Double-Rate Mode, Normalized to f_s

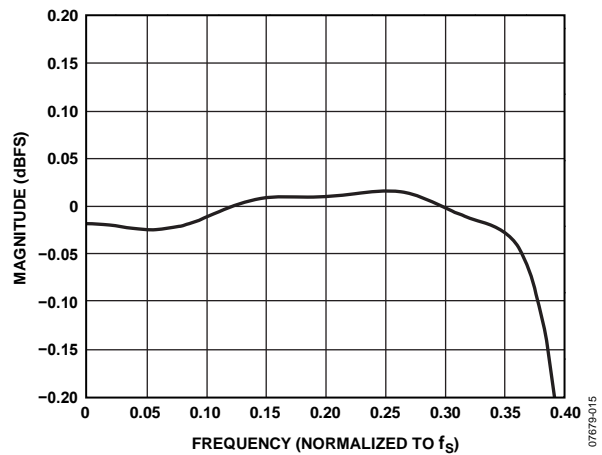


Figure 19. DAC Interpolation Filter Pass-Band Ripple, 64× Oversampling, Double-Rate Mode, Normalized to f_s



Figure 20. DAC Interpolation Filter, 128× Oversampling, Normalized to f_s

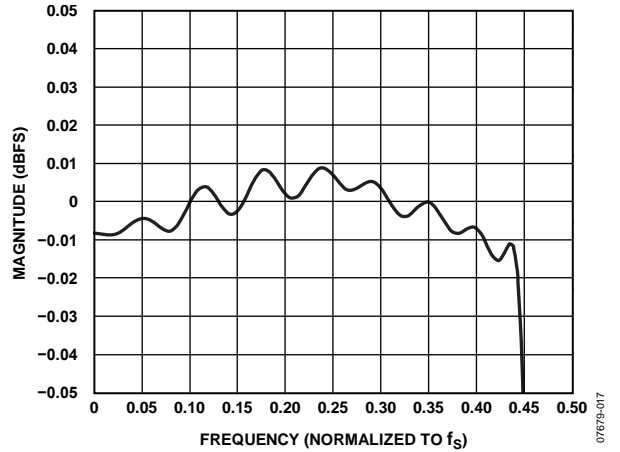


Figure 23. DAC Interpolation Filter Pass-Band Ripple, 128× Oversampling, Normalized to f_s



Figure 21. DAC Interpolation Filter, 128× Oversampling, Double-Rate Mode, Normalized to f_s

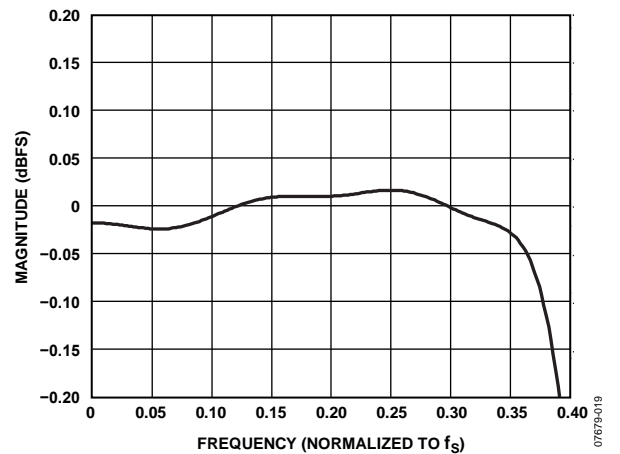


Figure 24. DAC Interpolation Filter Pass-Band Ripple, 128× Oversampling, Double-Rate Mode, Normalized to f_s

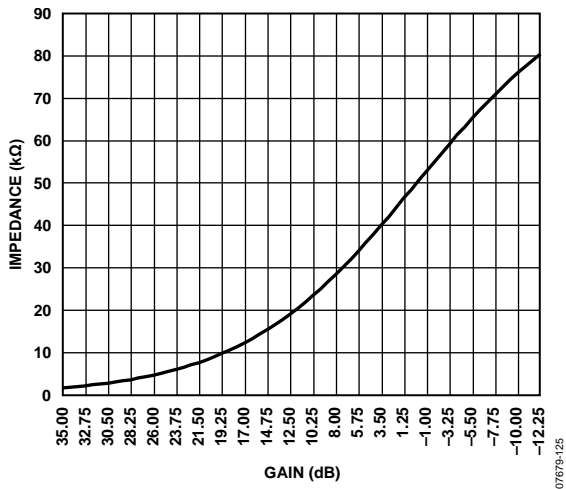


Figure 22. Input Impedance vs. Gain for Analog Inputs

SYSTEM BLOCK DIAGRAMS



Figure 25. System Block Diagram

07679-045



Figure 26. System Block Diagram with Analog Microphones

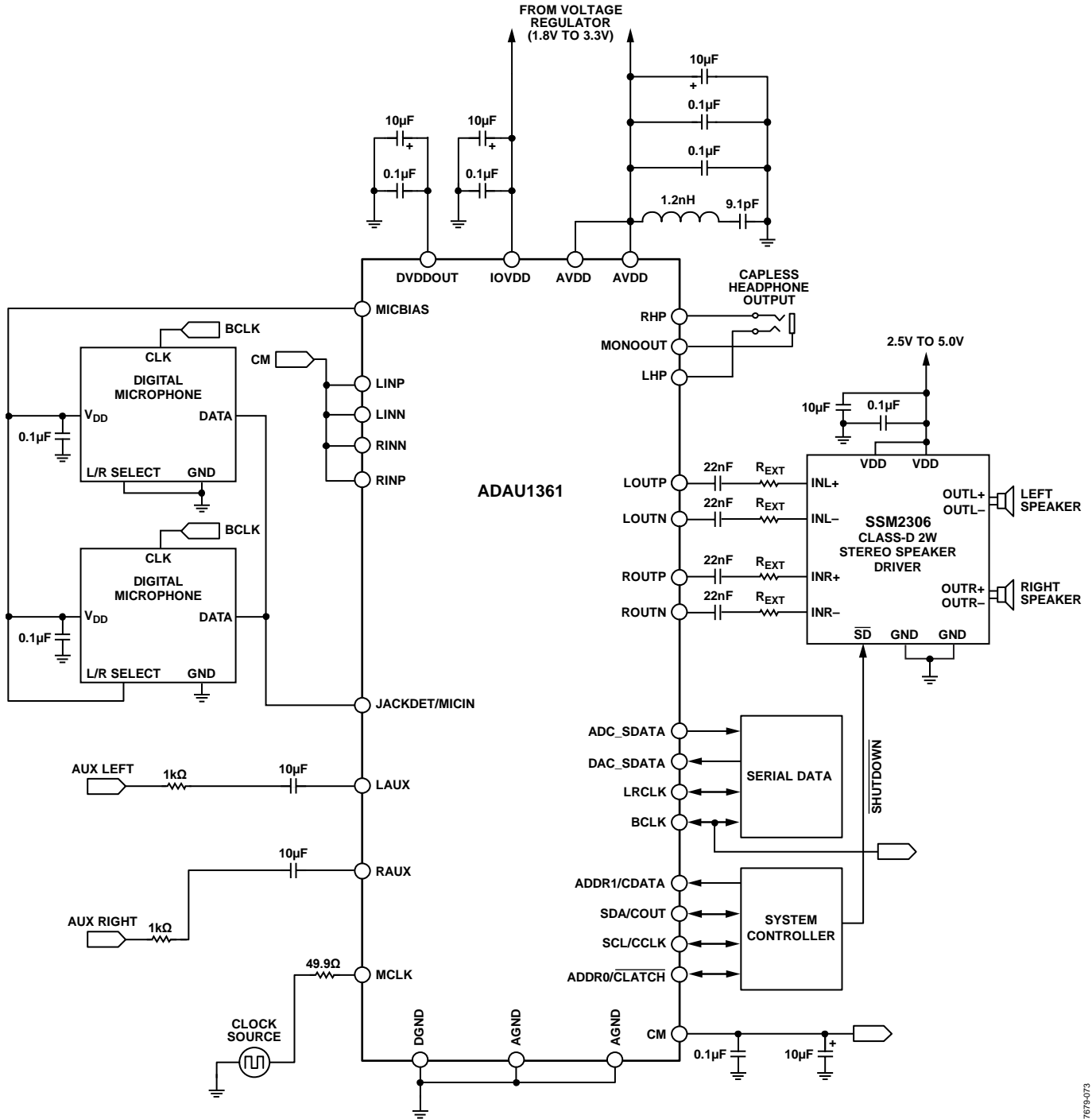


Figure 27. System Block Diagram with Digital Microphones and SSM2306 Class-D Speaker Driver

07679-073

THEORY OF OPERATION

The ADAU1361 is an audio codec that offers high quality audio, low power, and small package size. The stereo ADC and stereo DAC each have an SNR of at least +98 dB and a THD + N of at least -90 dB. The serial data port is compatible with I²S, left-justified, right-justified, and TDM modes for interfacing to digital audio data. The operating voltage range is 1.8 V to 3.65 V, with an on-board regulator generating the internal digital supply voltage.

The record signal path includes very flexible input configurations that can accept differential and single-ended analog microphone inputs as well as a digital microphone input. A microphone bias pin provides seamless interfacing to electret microphones. Input configurations can accept up to six single-ended analog signals or variations of stereo differential or stereo single-ended signals with two additional auxiliary single-ended inputs. Each input signal has its own programmable gain amplifier (PGA) for volume adjustment and can be routed directly to the playback path output mixers, bypassing the ADCs. An automatic level control (ALC) can also be implemented to keep the recording volume constant.

The ADCs and DACs are high quality, 24-bit Σ - Δ converters that operate at selectable 64 \times or 128 \times oversampling ratios. The base sampling rate of the converters is set by the input clock rate and can be further scaled with the converter control register settings. The converters can operate at sampling frequencies from 8 kHz to 96 kHz. The ADCs and DACs also include very fine-step digital volume controls.

The playback path allows input signals and DAC outputs to be mixed into various output configurations. Headphone drivers are available for a stereo headphone output, and the other output pins are capable of differentially driving an earpiece speaker. Capless headphone outputs are possible with the use of the mono output as a virtual ground connection. The stereo line outputs can be used as either single-ended or differential outputs and as an optional mix-down mono output.

The ADAU1361 can generate its internal clocks from a wide range of input clocks by using the on-board fractional PLL. The PLL accepts inputs from 8 MHz to 27 MHz.

The ADAU1361 is provided in a small, 32-lead, 5 mm \times 5 mm LFCSP with an exposed bottom pad.

STARTUP, INITIALIZATION, AND POWER

This section describes the procedure for properly starting up the ADAU1361. The following sequence provides a high level approach to the proper initiation of the system.

1. Apply power to the ADAU1361.
2. Lock the PLL to the input clock (if using the PLL).
3. Enable the core clock.
4. Load the register settings.

POWER-UP SEQUENCE

The ADAU1361 uses a power-on reset (POR) circuit to reset the registers upon power-up. The POR monitors the DVDDOUT pin and generates a reset signal whenever power is applied to the chip. During the reset, the ADAU1361 is set to the default values documented in the register map (see the Control Registers section). Typically, with a 10 μ F capacitor on AVDD, the POR takes approximately 14 ms.

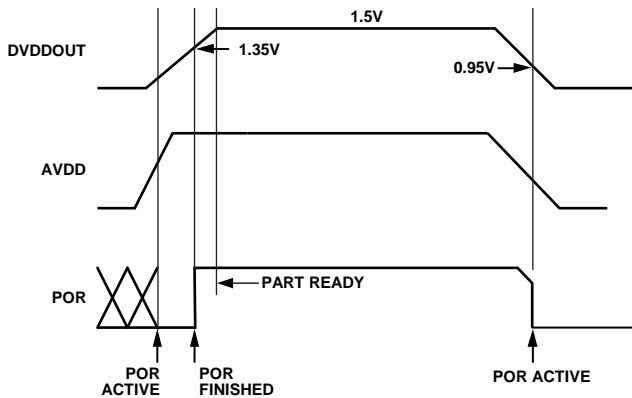


Figure 28. Power-On Reset Sequence

The PLL lock time is dependent on the MCLK rate. Typical lock times are provided in Table 11.

Table 11. PLL Lock Times

| PLL Mode | MCLK Frequency | Lock Time (Typical) |
|------------|----------------|---------------------|
| Fractional | 8 MHz | 3.5 ms |
| Fractional | 12 MHz | 3.0 ms |
| Integer | 12.288 MHz | 2.96 ms |
| Fractional | 13 MHz | 2.4 ms |
| Fractional | 14.4 MHz | 2.4 ms |
| Fractional | 19.2 MHz | 2.98 ms |
| Fractional | 19.68 MHz | 2.98 ms |
| Fractional | 19.8 MHz | 2.98 ms |
| Fractional | 24 MHz | 2.95 ms |
| Integer | 24.576 MHz | 2.96 ms |
| Fractional | 26 MHz | 2.4 ms |
| Fractional | 27 MHz | 2.4 ms |

POWER REDUCTION MODES

Sections of the ADAU1361 chip can be turned on and off as needed to reduce power consumption. These include the ADCs, the DACs, and the PLL.

In addition, the control registers can be used to configure some functions for power saving, normal, or enhanced performance operation. See the Control Registers section for more information.

The digital filters of the ADCs and DACs can each be set to oversampling ratios of 64 \times or 128 \times (default). Setting the oversampling ratios to 64 \times for these filters lowers power consumption with a minimal impact on performance. See the Digital Filters section for specifications; see the Typical Performance Characteristics section for graphs of these filters.

DIGITAL POWER SUPPLY

The digital power supply for the ADAU1361 is generated from an internal regulator. This regulator generates a 1.5 V supply internally. The only external connection to this regulator is the DVDDOUT bypassing point. A 100 nF capacitor and a 10 μ F capacitor should be connected between this pin and DGND.

INPUT/OUTPUT POWER SUPPLY

The power for the digital output pins is supplied from IOVDD, and this pin also sets the highest input voltage that should be seen on the digital input pins. IOVDD should be set between 1.8 V and 3.3 V; no digital input signal should be at a voltage level higher than the one on IOVDD. The current draw of this pin is variable because it depends on the loads of the digital outputs. IOVDD should be decoupled to DGND with a 100 nF capacitor and a 10 μ F capacitor.

CLOCK GENERATION AND MANAGEMENT

The ADAU1361 uses a flexible clocking scheme that enables the use of many different input clock rates. The PLL can be bypassed or used, resulting in two different approaches to clock management. For more information about clocking schemes, PLL configuration, and sampling rates, see the Clocking and Sampling Rates section.

Case 1: PLL Is Bypassed

If the PLL is bypassed, the core clock is derived directly from the MCLK input. The rate of this clock must be set properly in Register R0 (clock control register, Address 0x4000) using the INFREQ[1:0] bits. When the PLL is bypassed, supported external clock rates are 256 \times f_s , 512 \times f_s , 768 \times f_s , and 1024 \times f_s , where f_s is the base sampling rate. The core clock of the chip is off until the core clock enable bit (COREN) is asserted.

Case 2: PLL Is Used

The core clock to the entire chip is off during the PLL lock acquisition period. The user can poll the lock bit to determine when the PLL has locked. After lock is acquired, the ADAU1361 can be started by asserting the core clock enable bit (COREN) in Register R0 (clock control register, Address 0x4000). This bit enables the core clock to all the internal blocks of the ADAU1361.

PLL Lock Acquisition

During the lock acquisition period, only Register R0 (Address 0x4000) and Register R1 (Address 0x4002) are accessible through the control port. Because all other registers require a valid master clock for reading and writing, do not attempt to access any other register. Any read or write is prohibited until the core clock enable bit (COREN) and the lock bit are both asserted.

To program the PLL during initialization or reconfiguration of the clock setting, the following procedure must be followed:

1. Power down the PLL.
2. Reset the PLL control register.
3. Start the PLL.
4. Poll the lock bit.
5. Assert the core clock enable bit after the PLL lock is acquired.

The PLL control register (Register R1, Address 0x4002) is a 48-bit register where all bits must be written with a single continuous write to the control port.

CLOCKING AND SAMPLING RATES



Figure 29. Clock Tree Diagram

CORE CLOCK

Clocks for the converters and serial ports are derived from the core clock. The core clock can be derived directly from MCLK or it can be generated by the PLL. The CLKSRC bit (Bit 3 in Register R0, Address 0x4000) determines the clock source.

The INFREQ[1:0] bits should be set according to the expected input clock rate selected by CLKSRC; this value also determines the core clock rate and the base sampling frequency, f_s .

For example, if the input to CLKSRC = 49.152 MHz (from PLL), then

$$INFREQ[1:0] = 1024 \times f_s$$

$$f_s = 49.152 \text{ MHz} / 1024 = 48 \text{ kHz}$$

The PLL output clock rate is always $1024 \times f_s$, and the clock control register automatically sets the INFREQ[1:0] bits to $1024 \times f_s$ when using the PLL. When using a direct clock, the INFREQ[1:0] frequency should be set according to the MCLK pin clock rate and the desired base sampling frequency.

Table 12. Clock Control Register (Register R0, Address 0x4000)

| Bits | Bit Name | Settings |
|-------|-------------|---|
| 3 | CLKSRC | 0: Direct from MCLK pin (default) 1: PLL clock |
| [2:1] | INFREQ[1:0] | 00: $256 \times f_s$ (default) 01: $512 \times f_s$ 10: $768 \times f_s$ 11: $1024 \times f_s$ |
| 0 | COREN | 0: Core clock disabled (default) 1: Core clock enabled |

SAMPLING RATES

The ADCs, DACs, and serial port share a common sampling rate that is set in Register R17 (Converter Control 0 register, Address 0x4017). The CONVSR[2:0] bits set the sampling rate as a ratio of the base sampling frequency.

Table 13 and Table 14 list the sampling rate divisions for common base sampling rates.

Table 13. 48 kHz Base Sampling Rate Divisions

| Base Sampling Frequency | Sampling Rate Scaling | Sampling Rate |
|-------------------------|-----------------------|---------------|
| $f_s = 48 \text{ kHz}$ | $f_s/1$ | 48 kHz |
| | $f_s/6$ | 8 kHz |
| | $f_s/4$ | 12 kHz |
| | $f_s/3$ | 16 kHz |
| | $f_s/2$ | 24 kHz |
| | $f_s/1.5$ | 32 kHz |
| | $f_s/0.5$ | 96 kHz |

Table 14. 44.1 kHz Base Sampling Rate Divisions

| Base Sampling Frequency | Sampling Rate Scaling | Sampling Rate |
|--------------------------|-----------------------|---------------|
| $f_s = 44.1 \text{ kHz}$ | $f_s/1$ | 44.1 kHz |
| | $f_s/6$ | 7.35 kHz |
| | $f_s/4$ | 11.025 kHz |
| | $f_s/3$ | 14.7 kHz |
| | $f_s/2$ | 22.05 kHz |
| | $f_s/1.5$ | 29.4 kHz |
| | $f_s/0.5$ | 88.2 kHz |

PLL

The PLL uses the MCLK as a reference to generate the core clock. PLL settings are set in Register R1 (PLL control register, Address 0x4002). Depending on the MCLK frequency, the PLL must be set for either integer or fractional mode. The PLL can accept input frequencies in the range of 8 MHz to 27 MHz.

All six bytes in the PLL control register must be written with a single continuous write to the control port.

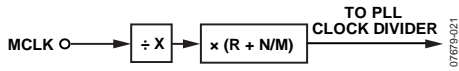


Figure 30. PLL Block Diagram

Integer Mode

Integer mode is used when the MCLK is an integer (R) multiple of the PLL output ($1024 \times f_s$).

For example, if MCLK = 12.288 MHz and $f_s = 48$ kHz, then

$$PLL \text{ required output} = 1024 \times 48 \text{ kHz} = 49.152 \text{ MHz}$$

$$R = 49.152 \text{ MHz} / 12.288 \text{ MHz} = 4$$

In integer mode, the values set for N and M are ignored.

Fractional Mode

Fractional mode is used when the MCLK is a fractional ($R + (N/M)$) multiple of the PLL output.

For example, if MCLK = 12 MHz and $f_s = 48$ kHz, then

$$PLL \text{ required output} = 1024 \times 48 \text{ kHz} = 49.152 \text{ MHz}$$

$$R + (N/M) = 49.152 \text{ MHz} / 12 \text{ MHz} = 4 + (12/125)$$

Common fractional PLL parameter settings for 44.1 kHz and 48 kHz sampling rates can be found in Table 16 and Table 17.

The PLL outputs a clock in the range of 41 MHz to 54 MHz, which should be taken into account when calculating PLL values and MCLK frequencies.

Table 15. PLL Control Register (Register R1, Address 0x4002)

| Bits | Bit Name | Description |
|---------|----------|---|
| [47:32] | M[15:0] | Denominator of the fractional PLL: 16-bit binary number 0x00FD: M = 253 (default) |
| [31:16] | N[15:0] | Numerator of the fractional PLL: 16-bit binary number 0x000C: N = 12 (default) |
| [14:11] | R[3:0] | Integer part of PLL: four bits, only values 2 to 8 are valid 0010: R = 2 (default) 0011: R = 3 0100: R = 4 0101: R = 5 0110: R = 6 0111: R = 7 1000: R = 8 |
| [10:9] | X[1:0] | PLL input clock divider 00: X = 1 (default) 01: X = 2 10: X = 3 11: X = 4 |
| 8 | Type | PLL operation mode 0: Integer (default) 1: Fractional |
| 1 | Lock | PLL lock (read-only bit) 0: PLL unlocked (default) 1: PLL locked |
| 0 | PLLEN | PLL enable 0: PLL disabled (default) 1: PLL enabled |

Table 16. Fractional PLL Parameter Settings for $f_s = 44.1$ kHz (PLL Output = 45.1584 MHz = 1024 × f_s)

| MCLK Input (MHz) | Input Divider (X) | Integer (R) | Denominator (M) | Numerator (N) | R2: PLL Control Setting (Hex) |
|------------------|-------------------|-------------|-----------------|---------------|-------------------------------|
| 8 | 1 | 5 | 625 | 403 | 0x0271 0193 2901 |
| 12 | 1 | 3 | 625 | 477 | 0x0271 01DD 1901 |
| 13 | 1 | 3 | 8125 | 3849 | 0x1FBD 0F09 1901 |
| 14.4 | 2 | 6 | 125 | 34 | 0x007D 0022 3301 |
| 19.2 | 2 | 4 | 125 | 88 | 0x007D 0058 2301 |
| 19.68 | 2 | 4 | 1025 | 604 | 0x0401 025C 2301 |
| 19.8 | 2 | 4 | 1375 | 772 | 0x055F 0304 2301 |
| 24 | 2 | 3 | 625 | 477 | 0x0271 01DD 1B01 |
| 26 | 2 | 3 | 8125 | 3849 | 0x1FBD 0F09 1B01 |
| 27 | 2 | 3 | 1875 | 647 | 0x0753 0287 1B01 |

Table 17. Fractional PLL Parameter Settings for $f_s = 48$ kHz (PLL Output = 49.152 MHz = 1024 × f_s)

| MCLK Input (MHz) | Input Divider (X) | Integer (R) | Denominator (M) | Numerator (N) | R2: PLL Control Setting (Hex) |
|------------------|-------------------|-------------|-----------------|---------------|-------------------------------|
| 8 | 1 | 6 | 125 | 18 | 0x007D 0012 3101 |
| 12 | 1 | 4 | 125 | 12 | 0x007D 000C 2101 |
| 13 | 1 | 3 | 1625 | 1269 | 0x0659 04F5 1901 |
| 14.4 | 2 | 6 | 75 | 62 | 0x004B 003E 3301 |
| 19.2 | 2 | 5 | 25 | 3 | 0x0019 0003 2B01 |
| 19.68 | 2 | 4 | 205 | 204 | 0x00CD 00CC 2301 |
| 19.8 | 2 | 4 | 825 | 796 | 0x0339 031C 2301 |
| 24 | 2 | 4 | 125 | 12 | 0x007D 000C 2301 |
| 26 | 2 | 3 | 1625 | 1269 | 0x0659 04F5 1B01 |
| 27 | 2 | 3 | 1125 | 721 | 0x0465 02D1 1B01 |

Table 18. Integer PLL Parameter Settings for $f_s = 48$ kHz (PLL Output = 49.152 MHz = 1024 × f_s)

| MCLK Input (MHz) | Input Divider (X) | Integer (R) | Denominator (M) | Numerator (N) | R2: PLL Control Setting (Hex) ¹ |
|------------------|-------------------|-------------|-----------------|---------------|--|
| 12.288 | 1 | 4 | Don't care | Don't care | 0XXXXX XXXX 2001 |
| 24.576 | 1 | 2 | Don't care | Don't care | 0XXXXX XXXX 1001 |

¹ X = don't care.

RECORD SIGNAL PATH

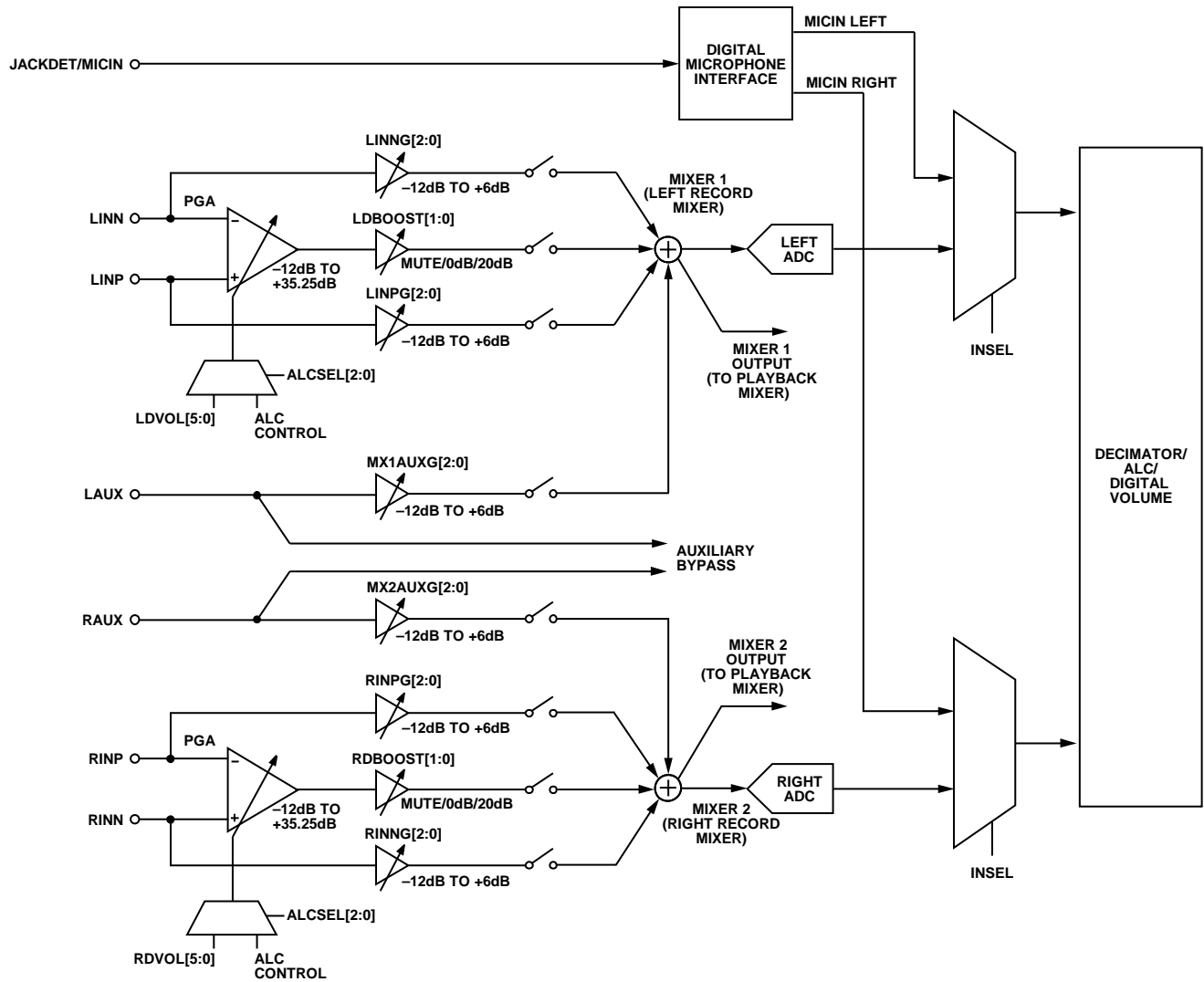


Figure 31. Record Signal Path

INPUT SIGNAL PATHS

The ADAU1361 can accept both line level and microphone inputs. The analog inputs can be configured in a single-ended or differential configuration. There is also an input for a digital microphone. The analog inputs are biased at $AVDD/2$. Unused input pins should be connected to CM.

Each of the six analog inputs has individual gain controls (boost or cut). The input signals are mixed and routed to an ADC. The mixed input signals can also bypass the ADCs and be routed directly to the playback mixers. Left channel inputs are mixed before the left ADC; however, it is possible to route the mixed analog signal around the ADC and output it into a left or right output channel. The same capabilities apply to the right channel and the right ADC.

Signals are inverted through the PGAs and the mixers. The result of this inversion is that differential signals input through the PGA are output from the ADCs at the same polarity as they are input. Single-ended inputs that pass through the mixer but not through the PGA are inverted. The ADCs are noninverting.

The input impedance of the analog inputs varies with the gain of the PGA. This impedance ranges from 1.7 k Ω at the 35.25 dB gain setting to 80.4 k Ω at the -12 dB setting. This range is shown in Figure 22.

Analog Microphone Inputs

For microphone inputs, configure the part in either stereo pseudo-differential mode or stereo full differential mode.

The LINN and LINP pins are the inverting and noninverting inputs for the left channel, respectively. The RINN and RINP pins are the inverting and noninverting inputs for the right channel, respectively.

For a differential microphone input, connect the positive signal to the noninverting input of the PGA and the negative signal to the inverting input of the PGA, as shown in Figure 32. The PGA settings are controlled with Register R8 (left differential input volume control register, Address 0x400E) and Register R9 (right differential input volume control register, Address 0x400F). The PGA must first be enabled by setting the RDEN and LDEN bits.



Figure 32. Stereo Differential Microphone Configuration

The PGA can also be used for single-ended microphone inputs. Connect LINP and/or RINP to the CM pin. In this configuration, the signal connects to the inverting input of the PGA, LINN and/or RINN, as shown in Figure 33.

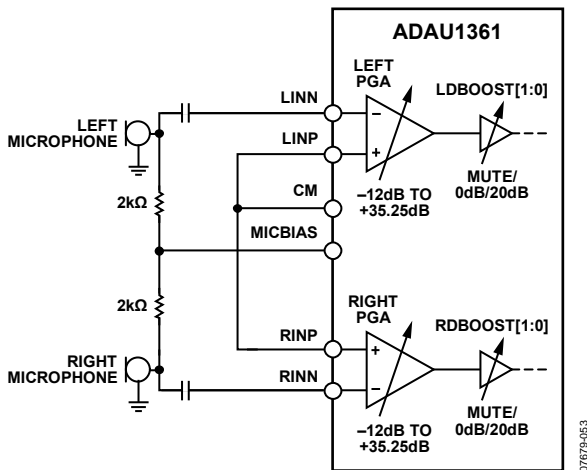


Figure 33. Stereo Single-Ended Microphone Configuration

Analog Line Inputs

Line input signals can be accepted by any analog input. It is possible to route signals on the RINN, RINP, LINN, and LINP pins around the differential amplifier to their own amplifier and to use these pins as single-ended line inputs by disabling the LDEN and RDEN bits (Bit 0 in Register R8, Address 0x400E, and Bit 0 in Register R9, Address 0x400F). Figure 34 depicts a stereo single-ended line input using the RINN and LINN pins.

The LAUX and RAUX pins are single-ended line inputs. They can be used together as a stereo single-ended auxiliary input, as shown in Figure 34. These inputs can bypass the input gain control, mixers, and ADCs to directly connect to the output playback mixers (see auxiliary bypass in Figure 31).



Figure 34. Stereo Single-Ended Line Input with Stereo Auxiliary Bypass

Digital Microphone Input

When using a digital microphone connected to the JACKDET/MICIN pin, the JDFUNC[1:0] bits in Register R2 (Address 0x4008) must be set to 10 to enable the microphone input and disable the jack detection function. The ADAU1361 must operate in master mode and source BCLK to the input clock of the digital microphone.

The digital microphone signal bypasses record path mixers and ADCs and is routed directly into the decimation filters. The digital microphone and ADCs share decimation filters and, therefore, both cannot be used simultaneously. The digital microphone input select bit, INSEL, can be set in Register R19 (ADC control register, Address 0x4019). Figure 35 depicts the digital microphone interface and signal routing.

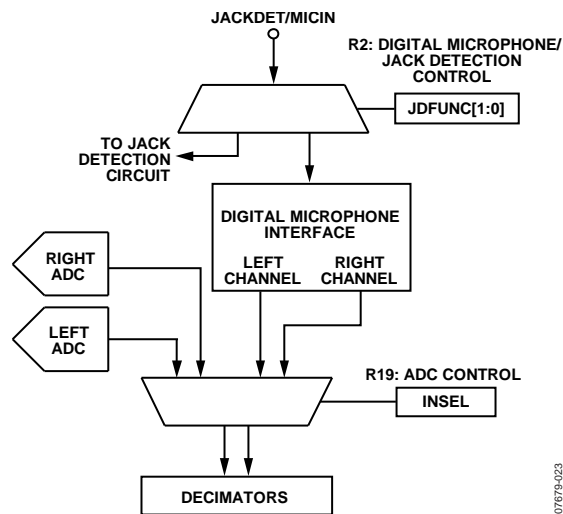


Figure 35. Digital Microphone Interface Block Diagram

Microphone Bias

The MICBIAS pin provides a voltage reference for electret analog microphones. The MICBIAS voltage is set in Register R10 (record microphone bias control register, Address 0x4010). In this register, the MICBIAS output can be enabled or disabled. Additional options include high performance operation and a gain boost. The gain boost provides two different voltage biases: $0.65 \times AVDD$ or $0.90 \times AVDD$. When enabled, the high performance bit increases supply current to the microphone bias circuit to decrease rms input noise.

The MICBIAS pin can also be used to cleanly supply voltage to digital microphones or analog microphones with separate power supply pins.

ANALOG-TO-DIGITAL CONVERTERS

The ADAU1361 uses two 24-bit Σ - Δ analog-to-digital converters (ADCs) with selectable oversampling ratios of $64\times$ or $128\times$ (selected by Bit 3 in Register R17, Address 0x4017).

ADC Full-Scale Level

The full-scale input to the ADCs (0 dBFS) depends on AVDD. At AVDD = 3.3 V, the full-scale input level is 1.0 V rms. This full-scale analog input outputs a digital signal at -1.38 dBFS. This gain offset is built into the ADAU1361 to prevent clipping. The full-scale input level scales linearly with the level of AVDD.

For single-ended and pseudo-differential signals, the full-scale value corresponds to the signal level at the pins, 0 dBFS.

The full differential full-scale input level is measured after the differential amplifier, which corresponds to -6 dBFS at each pin.

Signal levels above the full-scale value cause the ADCs to clip.

Digital ADC Volume Control

The digital ADC volume can be attenuated using Register R20 (left input digital volume register, Address 0x401A) and Register R21 (right input digital volume register, Address 0x401B).

High-Pass Filter

By default, a high-pass filter is used in the ADC path to remove dc offsets; this filter can be enabled or disabled in Register R19 (ADC control register, Address 0x4019). At $f_s = 48$ kHz, the corner frequency of this high-pass filter is 2 Hz.

AUTOMATIC LEVEL CONTROL (ALC)

The ADAU1361 contains a hardware automatic level control (ALC). The ALC is designed to continuously adjust the PGA gain to keep the recording volume constant as the input level varies.

For optimal noise performance, the ALC uses the analog PGA to adjust the gain instead of using a digital method. This ensures that the ADC noise is not amplified at low signal levels.

Extremely small gain step sizes are used to ensure high audio quality during gain changes.

To use the ALC function, the inputs must be applied either differentially or pseudo-differentially to input pins LINN and LINP, for the left channel, and RINN and RINP, for the right channel. The ALC function is not available for the auxiliary line input pins, LAUX and RAUX.

A block diagram of the ALC block is shown in Figure 36. The ALC logic receives the ADC output signals and analyzes these digital signals to set the PGA gain. The ALC control registers are used to control the time constants and output levels, as described in this section.

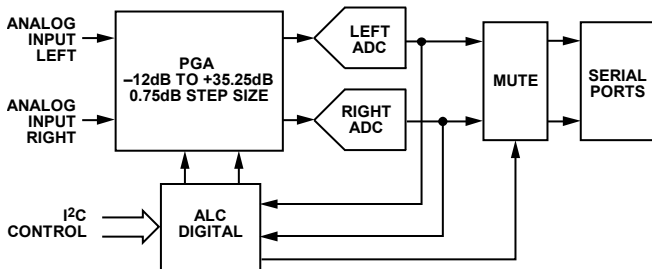


Figure 36. ALC Architecture

ALC PARAMETERS

The ALC function is controlled with the ALC control registers (Address 0x4011 through Address 0x4014) using the following parameters:

- **ALCSEL[2:0]:** The ALC select bits are used to enable the ALC and set the mode to left only, right only, or stereo. In stereo mode, the greater of the left or right inputs is used to calculate the gain, and the same gain is then applied to both the left and right channels.
- **ALCTARG[3:0]:** The ALC target is the desired input recording level that the ALC attempts to achieve.

- **ALCATCK[3:0]:** The ALC attack time sets how fast the ALC starts attenuating after a sudden increase in input level above the ALC target. Although it may seem that the attack time should be set as fast as possible to avoid clipping on transients, using a moderate value results in better overall sound quality. If the value is too fast, the ALC overreacts to very short transients, causing audible gain-pumping effects, which sounds worse than using a moderate value that allows brief periods of clipping on transients. A typical setting for music recording is 384 ms. A typical setting for voice recording is 24 ms.
- **ALCHOLD[3:0]:** These bits set the ALC hold time. When the output signal falls below the target output level, the gain is not increased unless the output remains below the target level for the period of time set by the hold time bits. The hold time is used to prevent the gain from modulating on a steady low frequency sine wave signal, which would cause distortion.
- **ALCDEC[3:0]:** The ALC decay time sets how fast the ALC increases the PGA gain after a sudden decrease in input level below the ALC target. A very slow setting can be used if the main function of the ALC is to set a music recording level. A faster setting can be used if the function of the ALC is to compress the dynamic range of a voice recording. Using a very fast decay time can cause audible artifacts such as noise pumping or distortion. A typical setting for music recording is 24.58 sec. A typical setting for voice recording is 1.54 sec.
- **ALCMAX[2:0]:** The maximum ALC gain bits are used to limit the maximum gain that can be programmed into the ALC. This can be used to prevent excessive noise in the recording for small input signals. Note that setting this register to a low value may prevent the ALC from reaching its target output level, but this behavior is often desirable to achieve the best overall sound.

Figure 37 shows the dynamic behavior of the PGA gain for a tone-burst input. The target output is achieved for three different input levels, with the effect of attack, hold, and decay shown in the figure. Note that for very small signals, the maximum PGA gain may prevent the ALC from achieving its target level; in the same way, for very large inputs, the minimum PGA gain may prevent the ALC from achieving its target level (assuming that the target output level is set to a very low value). The effects of the PGA gain limit are shown in the input/output graph of Figure 38.



Figure 37. Basic ALC Operation



Figure 38. Effect of Varying the Maximum Gain Parameter

NOISE GATE FUNCTION

When using the ALC, one potential problem is that for small input signals, the PGA gain can become very large. A side effect of this is that the noise is amplified along with the signal of interest. To avoid this situation, the ADAU1361 noise gate can be used. The noise gate cuts off the ADC output when its signal level is below a set threshold. The noise gate is controlled using the following parameters in the ALC Control 3 register (Address 0x4014):

- NGTYP[1:0]: The noise gate type is set to one of four modes by writing to the NGTYP[1:0] bits.
- NGEN: The noise gate function is enabled by writing to the NGEN bit.
- NGTHR[4:0]: The threshold for muting the output is set by writing to the NGTHR[4:0] bits.

One common problem with noise gate functions is chatter, where a small signal that is close to the noise gate threshold varies in amplitude, causing the noise gate function to open and close rapidly. This causes an unpleasant sound.

To reduce this effect, the noise gate in the ADAU1361 uses a combination of a timeout period and hysteresis. The timeout period is set to 250 ms, so the signal must consistently be below

the threshold for 250 ms before the noise gate operates. Hysteresis is used so that the threshold for coming out of the mute state is 6 dB higher than the threshold for going into the mute state. There are four operating modes for the noise gate.

Noise Gate Mode 0 (see Figure 39) is selected by setting the NGTYP[1:0] bits to 00. In this mode, the current state of the PGA gain is held at its current state when the noise gate logic is activated. This prevents a large increase in background noise during periods of silence. When using this mode, it is advisable to use a relatively slow decay time. This is because the noise gate takes at least 250 ms to activate, and if the PGA gain has already increased to a large value during this time, the value at which the gain is held is large.

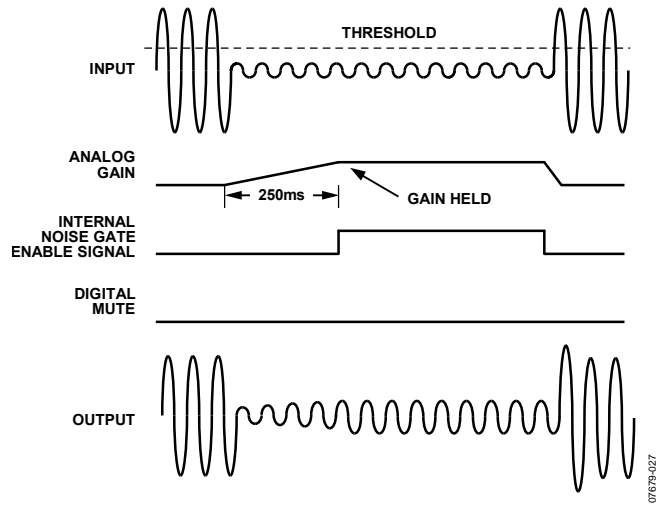


Figure 39. Noise Gate Mode 0 (PGA Gain Hold)

Noise Gate Mode 1 (see Figure 40) is selected by setting the NGTYP[1:0] bits to 01. In this mode, the ADAU1361 does a simple digital mute of the ADC output. Although this mode completely eliminates any background noise, the effect of an abrupt mute may not be pleasant to the ear.



Figure 40. Noise Gate Mode 1 (Digital Mute)

Noise Gate Mode 2 (see Figure 41) is selected by setting the NGTYP[1:0] bits to 10. In this mode, the ADAU1361 improves the sound of the noise gate operation by first fading the PGA gain over a period of about 100 ms to the minimum PGA gain value. The ADAU1361 does not do a hard mute after the fade is complete, so some small background noise still exists.



Figure 41. Noise Gate Mode 2 (Analog Fade)

Noise Gate Mode 3 (see Figure 42) is selected by setting the NGTYP[1:0] bits to 11. This mode is the same as Mode 2 except that at the end of the PGA fade gain interval, a digital mute is performed. In general, this mode is the best-sounding mode, because the audible effect of the digital hard mute is reduced by the fact that the gain has already faded to a low level before the mute occurs.



Figure 42. Noise Gate Mode 3 (Analog Fade/Digital Mute)

PLAYBACK SIGNAL PATH



Figure 43. Playback Signal Path

07679-031

OUTPUT SIGNAL PATHS

The outputs of the ADAU1361 can be configured as a variety of differential or single-ended outputs. All analog output pins are capable of driving headphone or earpiece speakers. There are selectable output paths for stereo signals or a downmixed mono output. The line outputs can drive a load of at least 10 k Ω or can be put into HP mode to drive headphones or earpiece speakers. The analog output pins are biased at $AVDD/2$.

With a 0 dBFS digital input and $AVDD = 1.8$ V, the full-scale output level is 500 mV rms; when $AVDD = 3.3$ V, the full-scale output level is 920 mV rms.

Signals are inverted through the mixers and volume controls. The result of this inversion is that the polarity of the differential outputs and the headphone outputs is preserved. The single-ended mono output is inverted. The DACs are noninverting.

Routing Flexibility

The playback path contains five mixers (Mixer 3 to Mixer 7) that perform the following functions:

- Mix signals from the record path and the DACs.
- Mix or swap the left and right channels.
- Mix a mono signal or generate a common-mode output.

Mixer 3 and Mixer 4 are dedicated to mixing signals from the record path and the DACs. Each of these two mixers can accept signals from the left and right DACs, the left and right input mixers, and the dedicated channel auxiliary input. Signals coming from the record path can be boosted or cut before the playback mixer.

For example, the MX4G2[3:0] bits set the gain from the output of Mixer 2 (right record channel) to the input of Mixer 4, hence the naming convention.

Signals coming from the DACs have digital volume attenuation controls set in Register R20 (left input digital volume register, Address 0x401A) and Register R21 (right input digital volume register, Address 0x401B).

HEADPHONE OUTPUT

The LHP and RHP pins can be driven by either a line output driver or a headphone driver by setting the HPMODE bit in Register R30 (playback headphone right volume control register, Address 0x4024). The headphone outputs can drive a load of at least 16 Ω.

Separate volume controls for the left and right channels range from -57 dB to +6 dB. Slew can be applied to all the playback volume controls using the ASLEW[1:0] bits in Register R34 (playback pop/click suppression register, Address 0x4028).

Capless Headphone Configuration

The headphone outputs can be configured in a capless output configuration with the MONOOUT pin used as a dc virtual ground reference. Figure 44 depicts a typical playback path in a capless headphone configuration. Table 19 lists the register settings for this configuration. As shown in this table, the MONOOUT pin outputs common mode (AVDD/2), which is used as the virtual headphone reference.



Figure 44. Capless Headphone Configuration Diagram

Table 19. Capless Headphone Register Settings

| Register | Bit Name | Setting |
|----------|-------------|-----------------------------------|
| R36 | DACEN[1:0] | 11 = both DACs on |
| R22 | MX3EN | 1 = enable Mixer 3 |
| | MX3LM | 1 = unmute left DAC input |
| R24 | MX4EN | 1 = enable Mixer 4 |
| | MX4RM | 1 = unmute right DAC input |
| R28 | MX7EN | 1 = enable Mixer 7 |
| | MX7[1:0] | 00 = common-mode output |
| R33 | MONOM | 1 = unmute mono output |
| | MOMODE | 1 = headphone output |
| R29 | LHPVOL[5:0] | Desired volume for LHP output |
| | LHPM | 1 = unmute left headphone output |
| R30 | HPMODE | 1 = headphone output |
| | RHPVOL[5:0] | Desired volume for RHP output |
| | RHPM | 1 = unmute right headphone output |

Headphone Output Power-Up/Power-Down Sequencing

To prevent pops when turning on the headphone outputs, the user must wait at least 4 ms to unmute these outputs after enabling the headphone output with the HPMODE bit. This is because of an internal capacitor that must charge before these outputs can be used. Figure 45 and Figure 46 illustrate the headphone power-up/power-down sequencing.

For capless headphones, configure the MONOOUT pin before unmuting the headphone outputs.

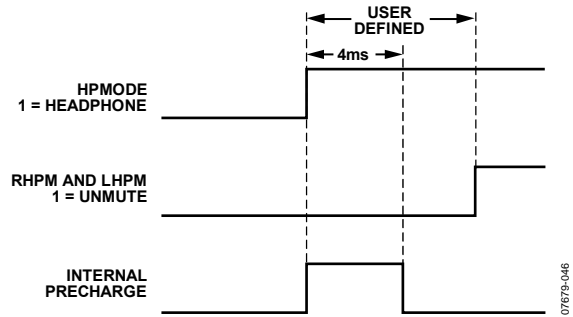


Figure 45. Headphone Output Power-Up Timing

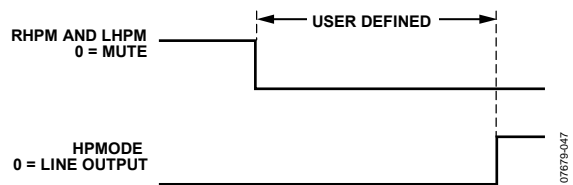


Figure 46. Headphone Output Power-Down Timing

Ground-Centered Headphone Configuration

The headphone outputs can also be configured as ground-centered outputs by placing coupling capacitors on the LHP and RHP pins. Ground-centered headphones should use the AGND pin as the ground reference.

When the headphone outputs are configured in this manner, the capacitors create a high-pass filter on the outputs. The corner frequency of this filter, at which point its attenuation is 3 dB, is calculated by the following formula:

$$f_{3dB} = 1/(2\pi \times R \times C)$$

where:

C is the capacitor value.

R is the impedance of the headphones.

For a typical headphone impedance of 16 Ω and a 47 μF capacitor, the corner frequency is 211 Hz.

Jack Detection

When the JACKDET/MICIN pin is set to the jack detect function, a flag on this pin can be used to mute the line outputs when headphones are plugged into the jack. This pin can be configured in Register R2 (digital microphone/jack detection control register, Address 0x4008). The JDFUNC[1:0] bits set the functionality of the JACKDET/MICIN pin.

Additional settings for jack detection include debounce time (JDDB[1:0] bits) and detection polarity (JDPOL bit). Because the jack detection and digital microphone share a pin, both functions cannot be used simultaneously.

POP-AND-CLICK SUPPRESSION

Upon power-up, precharge circuitry is enabled to suppress pops and clicks. After power-up, the precharge circuitry can be put into a low power mode using the POPMODE bit in Register R34 (playback pop/click suppression register, Address 0x4028).

The precharge time depends on the capacitor value on the CM pin and the RC time constant of the load. For a typical line output load, the precharge time is between 2 ms and 3 ms. After this precharge time, the POPMODE bit can be set to low power mode.

Changing any register settings that affect the signal path can cause pops and clicks on the analog outputs. To avoid these pops and clicks, mute the appropriate outputs using Register R29 to Register R32 (Address 0x4023 to Address 0x4026). Unmute the analog outputs after the changes are made.

LINE OUTPUTS

The line output pins (LOUTP, LOUTN, ROUTP, and ROUTN) can be used to drive both differential and single-ended loads. In their default settings, these pins can drive typical line loads of 10 k Ω or greater, but they can also be put into headphone mode by setting the LOMODE bit in Register R31 (playback line output left volume control register, Address 0x4025) and the ROMODE bit in Register R32 (playback line output right volume control register, Address 0x4026). In headphone mode, the line output pins are capable of driving headphone and earpiece speakers of 16 Ω or greater. The output impedance of the line outputs is approximately 1 k Ω .

When the line output pins are used in single-ended mode, LOUTP and ROUTP should be used to output the signals, and LOUTN and ROUTN should be left unconnected.

The volume controls for these outputs range from -57 dB to +6 dB. Slew can be applied to all the playback volume controls using the ASLEW[1:0] bits in Register R34 (playback pop/click suppression register, Address 0x4028).

The MX5G4[1:0], MX5G3[1:0], MX6G3[1:0], and MX6G4[1:0] bits can all provide a 6 dB gain boost to the line outputs. This gain boost allows single-ended output signals to achieve 0 dBV (1.0 V rms) and differential output signals to achieve up to 6 dBV (2.0 V rms). For more information, see Register R26 (playback L/R mixer left (Mixer 5) line output control register, Address 0x4020) and Register R27 (playback L/R mixer right (Mixer 6) line output control register, Address 0x4021).

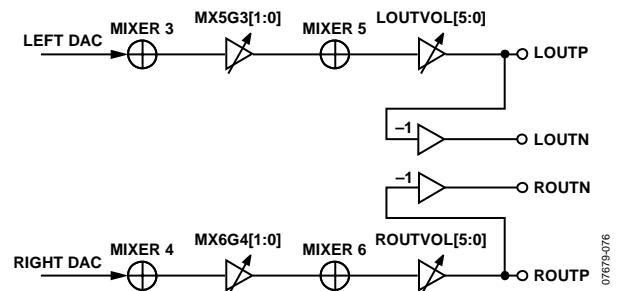


Figure 47. Differential Line Output Configuration

CONTROL PORTS

The ADAU1361 can operate in one of two control modes:

- I²C control
- SPI control

The ADAU1361 has both a 4-wire SPI control port and a 2-wire I²C bus control port. Both ports can be used to set the registers. The part defaults to I²C mode, but it can be put into SPI control mode by pulling the $\overline{\text{CLATCH}}$ pin low three times.

The control port is capable of full read/write operation for all addressable registers. The ADAU1361 must have a valid master clock in order to write to all registers except for Register R0 (Address 0x4000) and Register R1 (Address 0x4002).

All addresses can be accessed in both a single-address mode or a burst mode. The first byte (Byte 0) of a control port write contains the 7-bit chip address plus the $\overline{\text{R/W}}$ bit. The next two bytes (Byte 1 and Byte 2) together form the subaddress of the register location within the ADAU1361. This subaddress must be two bytes long because the memory locations within the ADAU1361 are directly addressable and their sizes exceed the range of single-byte addressing. All subsequent bytes (starting with Byte 3) contain the data. The number of bytes per word depends on the type of data that is being written.

The control port pins are multifunctional, depending on the mode in which the part is operating. Table 20 describes these multiple functions.

Table 20. Control Port Pin Functions

| Pin Name | I ² C Mode | SPI Mode |
|-----------------------------------|---------------------------------------|------------------------------------|
| SCL/CCLK | SCL: input clock | CCLK: input clock |
| SDA/COUT | SDA: open-collector input/output | COUT: output |
| ADDR1/CDATA | I ² C Address Bit 1: input | CDATA: input |
| ADDR0/ $\overline{\text{CLATCH}}$ | I ² C Address Bit 0: input | $\overline{\text{CLATCH}}$: input |

BURST MODE WRITING AND READING

Burst mode addressing, where the subaddresses are automatically incremented at word boundaries, can be used for writing large amounts of data to contiguous registers. This increment happens automatically after a single-word write or read unless a stop condition is encountered (I²C) or $\overline{\text{CLATCH}}$ is brought high (SPI). A burst write starts like a single-word write, but following the first data-word, the data-word for the next immediate address can be written immediately without sending its two-byte address.

The registers in the ADAU1361 are one byte wide with the exception of the PLL control register, which is six bytes wide. The auto-increment feature knows the word length at each subaddress, so the subaddress does not need to be specified manually for each address in a burst write.

The subaddresses are auto-incremented by 1 following each read or write of a data-word, regardless of whether there is a valid register word at that address. Address holes in the register map can be written to or read from without consequence. In the ADAU1361, these address holes exist at Address 0x4001, Address 0x4003 to Address 0x4007, Address 0x402E, and Address 0x4032 to Address 0x4035. A single-byte write to these registers is ignored by the ADAU1361, and a read returns a single byte 0x00.

I²C PORT

The ADAU1361 supports a 2-wire serial (I²C-compatible) microprocessor bus driving multiple peripherals. Two pins, serial data (SDA) and serial clock (SCL), carry information between the ADAU1361 and the system I²C master controller. In I²C mode, the ADAU1361 is always a slave on the bus, meaning that it cannot initiate a data transfer. Each slave device is recognized by a unique address. The address and $\overline{\text{R/W}}$ byte format is shown in Table 21. The address resides in the first seven bits of the I²C write. Bits[5:6] of the I²C address for the ADAU1361 are set by the levels on the ADDR1 and ADDR0 pins. The LSB of the address—the $\overline{\text{R/W}}$ bit—specifies either a read or write operation. Logic Level 1 corresponds to a read operation, and Logic Level 0 corresponds to a write operation.

Table 21. ADAU1361 I²C Address and Read/Write Byte Format

| Bit 0 | Bit 1 | Bit 2 | Bit 3 | Bit 4 | Bit 5 | Bit 6 | Bit 7 |
|-------|-------|-------|-------|-------|-------|-------|-------------------------|
| 0 | 1 | 1 | 1 | 0 | ADDR1 | ADDR0 | $\overline{\text{R/W}}$ |

The SDA and SCL pins should each have a 2 k Ω pull-up resistor on the line connected to it. The voltage on these signal lines should not be higher than IOVDD (1.8 V to 3.3 V).

Addressing

Initially, each device on the I²C bus is in an idle state and monitors the SDA and SCL lines for a start condition and the proper address. The I²C master initiates a data transfer by establishing a start condition, defined by a high-to-low transition on SDA while SCL remains high. This indicates that an address/data stream follows. All devices on the bus respond to the start condition and shift the next eight bits (the 7-bit address plus the $\overline{\text{R/W}}$ bit) MSB first. The device that recognizes the transmitted address responds by pulling the data line low during the ninth clock pulse. This ninth bit is known as an acknowledge bit. All other devices withdraw from the bus at this point and return to the idle condition.

The $\overline{R/W}$ bit determines the direction of the data. A Logic 0 on the LSB of the first byte means that the master writes information to the peripheral, whereas a Logic 1 means that the master reads information from the peripheral after writing the subaddress and repeating the start address. A data transfer takes place until a stop condition is encountered. A stop condition occurs when SDA transitions from low to high while SCL is held high. Figure 48 shows the timing of an I²C write, and Figure 49 shows an I²C read.

Stop and start conditions can be detected at any stage during the data transfer. If these conditions are asserted out of sequence with normal read and write operations, the ADAU1361 immediately jumps to the idle condition. During a given SCL high period, the user should only issue one start condition, one stop condition,

or a single stop condition followed by a single start condition. If an invalid subaddress is issued by the user, the ADAU1361 does not issue an acknowledge and returns to the idle condition.

If the user exceeds the highest subaddress while in autoincrement mode, one of two actions is taken. In read mode, the ADAU1361 outputs the highest subaddress register contents until the master device issues a no acknowledge, indicating the end of a read. A no acknowledge condition is where the SDA line is not pulled low on the ninth clock pulse on SCL. If the highest subaddress location is reached while in write mode, the data for the invalid byte is not loaded into any subaddress register, a no acknowledge is issued by the ADAU1361, and the part returns to the idle condition.

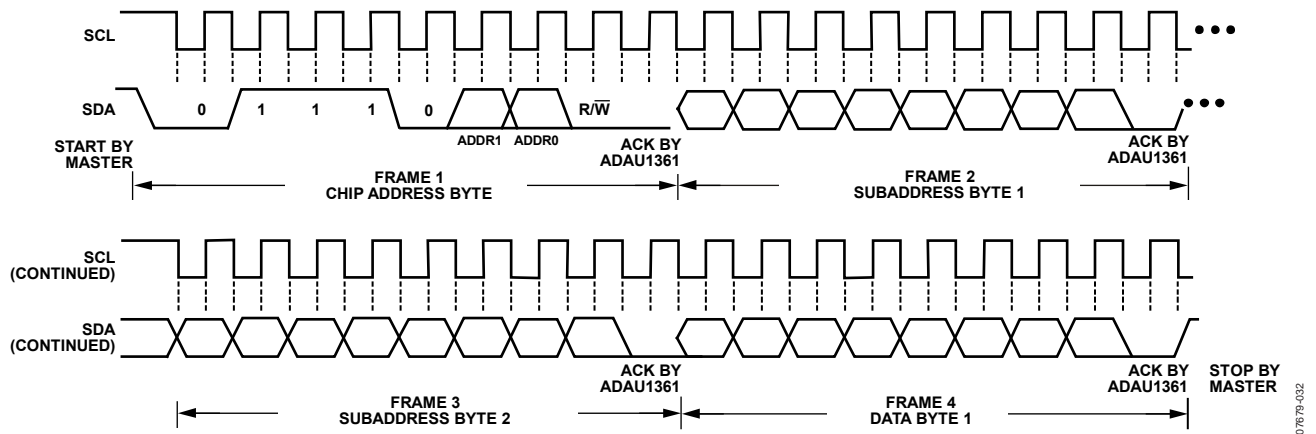


Figure 48. I²C Write to ADAU1361 Clcking

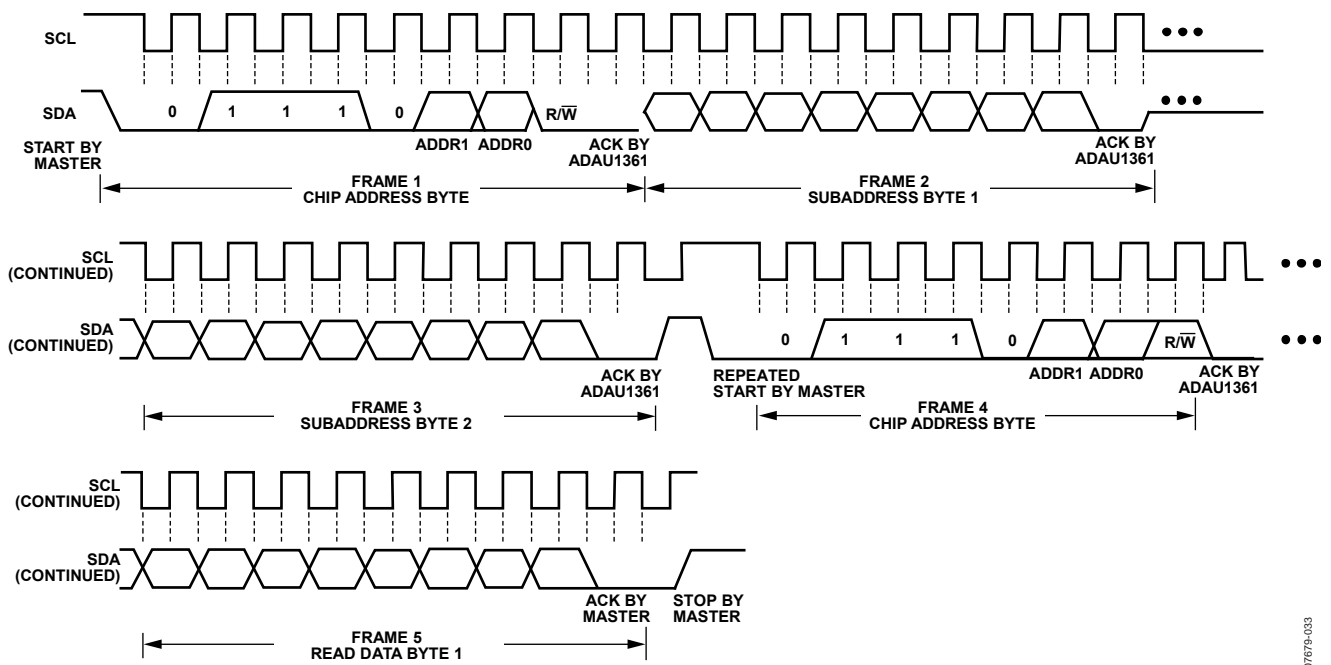


Figure 49. I²C Read from ADAU1361 Clcking

I²C Read and Write Operations

Figure 50 shows the format of a single-word write operation. Every ninth clock pulse, the ADAU1361 issues an acknowledge by pulling SDA low.

Figure 51 shows the format of a burst mode write sequence. This figure shows an example of a write to sequential single-byte registers. The ADAU1361 increments its subaddress register after every byte because the requested subaddress corresponds to a register or memory area with a 1-byte word length.

Figure 52 shows the format of a single-word read operation. Note that the first R/W bit is 0, indicating a write operation. This is because the subaddress still needs to be written to set up the internal address. After the ADAU1361 acknowledges the receipt of the subaddress, the master must issue a repeated start command followed by the chip address byte with the R/W bit set to 1 (read).

This causes the ADAU1361 SDA to reverse and begin driving data back to the master. The master then responds every ninth pulse with an acknowledge pulse to the ADAU1361.

Figure 53 shows the format of a burst mode read sequence. This figure shows an example of a read from sequential single-byte registers. The ADAU1361 increments its subaddress register after every byte because the requested subaddress corresponds to a register or memory area with a 1-byte word length. The ADAU1361 always decodes the subaddress and sets the auto-increment circuit so that the address increments after the appropriate number of bytes.

Figure 50 to Figure 53 use the following abbreviations:

- S = start bit
- P = stop bit
- AM = acknowledge by master
- AS = acknowledge by slave

| | | | | | | | | |
|---|-----------------------|----|----------------------|----|---------------------|----|-------------|---|
| S | Chip address, R/W = 0 | AS | Subaddress high byte | AS | Subaddress low byte | AS | Data Byte 1 | P |
|---|-----------------------|----|----------------------|----|---------------------|----|-------------|---|

Figure 50. Single-Word I²C Write Format

| | | | | | | | | | | | | | | | | |
|---|-----------------------|----|----------------------|----|---------------------|----|-------------|----|-------------|----|-------------|----|-------------|----|-----|---|
| S | Chip address, R/W = 0 | AS | Subaddress high byte | AS | Subaddress low byte | AS | Data Byte 1 | AS | Data Byte 2 | AS | Data Byte 3 | AS | Data Byte 4 | AS | ... | P |
|---|-----------------------|----|----------------------|----|---------------------|----|-------------|----|-------------|----|-------------|----|-------------|----|-----|---|

Figure 51. Burst Mode I²C Write Format

| | | | | | | | | | | | |
|---|-----------------------|----|----------------------|----|---------------------|----|---|-----------------------|----|-------------|---|
| S | Chip address, R/W = 0 | AS | Subaddress high byte | AS | Subaddress low byte | AS | S | Chip address, R/W = 1 | AS | Data Byte 1 | P |
|---|-----------------------|----|----------------------|----|---------------------|----|---|-----------------------|----|-------------|---|

Figure 52. Single-Word I²C Read Format

| | | | | | | | | | | | | | | | |
|---|-----------------------|----|----------------------|----|---------------------|----|---|-----------------------|----|-------------|----|-------------|----|-----|---|
| S | Chip address, R/W = 0 | AS | Subaddress high byte | AS | Subaddress low byte | AS | S | Chip address, R/W = 1 | AS | Data Byte 1 | AM | Data Byte 2 | AM | ... | P |
|---|-----------------------|----|----------------------|----|---------------------|----|---|-----------------------|----|-------------|----|-------------|----|-----|---|

Figure 53. Burst Mode I²C Read Format

SPI PORT

By default, the ADAU1361 is in I²C mode, but it can be put into SPI control mode by pulling $\overline{\text{CLATCH}}$ low three times. This is done by performing three dummy writes to the SPI port (the ADAU1361 does not acknowledge these three writes). Beginning with the fourth SPI write, data can be written to or read from the IC. The ADAU1361 can be taken out of SPI mode only by a full reset initiated by power-cycling the IC.

The SPI port uses a 4-wire interface, consisting of the $\overline{\text{CLATCH}}$, CCLK, CDATA, and COUT signals, and it is always a slave port. The $\overline{\text{CLATCH}}$ signal should go low at the beginning of a transaction and high at the end of a transaction. The CCLK signal latches CDATA on a low-to-high transition. COUT data is shifted out of the ADAU1361 on the falling edge of CCLK and should be clocked into a receiving device, such as a microcontroller, on the CCLK rising edge. The CDATA signal carries the serial input data, and the COUT signal carries the serial output data. The COUT signal remains three-state until a read operation is requested. This allows other SPI-compatible peripherals to share the same readback line. All SPI transactions have the same basic format shown in Table 23. A timing diagram is shown in Figure 4. All data should be written MSB first.

Chip Address $\overline{\text{R/W}}$

The LSB of the first byte of an SPI transaction is a $\overline{\text{R/W}}$ bit. This bit determines whether the communication is a read (Logic Level 1) or a write (Logic Level 0). This format is shown in Table 22.

Table 22. ADAU1361 SPI Address and Read/Write Byte Format

| Bit 0 | Bit 1 | Bit 2 | Bit 3 | Bit 4 | Bit 5 | Bit 6 | Bit 7 |
|-------|-------|-------|-------|-------|-------|-------|-------|
| 0 | 0 | 0 | 0 | 0 | 0 | 0 | R/W |

Subaddress

The 16-bit subaddress word is decoded into a location in one of the registers. This subaddress is the location of the appropriate register. The MSBs of the subaddress are zero-padded to bring the word to a full 2-byte length.

Data Bytes

The number of data bytes varies according to the register being accessed. During a burst mode write, an initial subaddress is written followed by a continuous sequence of data for consecutive register locations.

A sample timing diagram for a single-word SPI write operation to a register is shown in Figure 54. A sample timing diagram of a single-word SPI read operation is shown in Figure 55. The COUT pin goes from being three-state to being driven at the beginning of Byte 3. In this example, Byte 0 to Byte 2 contain the addresses and $\overline{\text{R/W}}$ bit, and subsequent bytes carry the data.

Table 23. Generic Control Word Format

| Byte 0 | Byte 1 | Byte 2 | Byte 3 | Byte 4 ¹ |
|--|---------------|--------------|--------|---------------------|
| chip_adr[6:0], $\overline{\text{R/W}}$ | subaddr[15:8] | subaddr[7:0] | data | data |

¹ Continues to end of data.

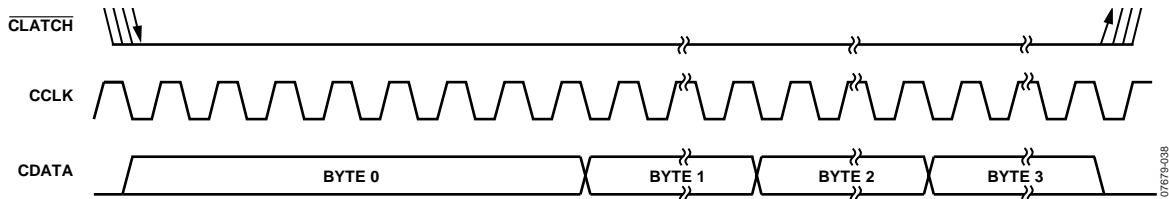


Figure 54. SPI Write to ADAU1361 Clocking (Single-Word Write Mode)

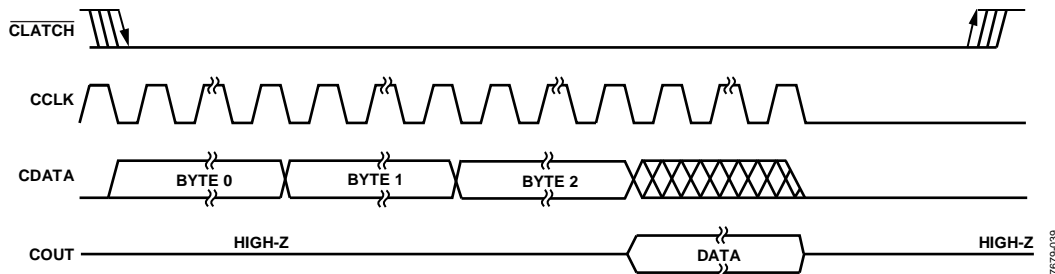


Figure 55. SPI Read from ADAU1361 Clocking (Single-Word Read Mode)

SERIAL DATA INPUT/OUTPUT PORTS

The flexible serial data input and output ports of the ADAU1361 can be set to accept or transmit data in 2-channel format or in a 4-channel TDM stream to interface to external ADCs or DACs. Data is processed in twos complement, MSB first format. The left channel data field always precedes the right channel data field in 2-channel streams. In TDM mode, Slot 0 and Slot 1 are in the first half of the audio frame, and Slot 2 and Slot 3 are in the second half of the frame. The serial modes and the position of the data in the frame are set in Register R15 to Register R18 (serial port and converter control registers, Address 0x4015 to Address 0x4018).

If the PLL of the ADAU1361 is not used, the serial data clocks must be synchronous with the ADAU1361 master clock input. The LRCLK and BCLK pins are used to clock both the serial input and output ports. The ADAU1361 can be set as the master or the slave in a system. Because there is only one set of serial data clocks, the input and output ports must always be both master or both slave.

Register R15 and Register R16 (serial port control registers, Address 0x4015 and Address 0x4016) allow control of clock polarity and data input modes. The valid data formats are I²S, left-justified, right-justified (24-/20-/18-/16-bit), and TDM. In all modes except for the right-justified modes, the serial port inputs an arbitrary number of bits up to a limit of 24. Extra bits do not cause an error, but they are truncated internally.

The serial port can operate with an arbitrary number of BCLK transitions in each LRCLK frame. The LRCLK in TDM mode can be input to the ADAU1361 either as a 50% duty cycle clock or as a bit-wide pulse.

When the LRCLK is set as a pulse, a 47 pF capacitor should be connected between the LRCLK pin and ground (see Figure 56). This capacitor is necessary in both master and slave modes to properly align the LRCLK signal to the serial data stream.

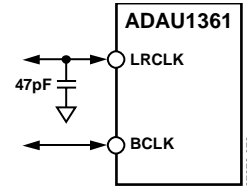


Figure 56. LRCLK Capacitor Alignment, TDM Pulse Mode

In TDM mode, the ADAU1361 can be a master for f_s up to 48 kHz. Table 24 lists the modes in which the serial output port can function.

Table 24. Serial Output Port Master/Slave Mode Capabilities

| f_s | 2-Channel Modes (I ² S, Left-Justified, Right-Justified) | 4-Channel TDM |
|--------|---|------------------|
| 48 kHz | Master and slave | Master and slave |
| 96 kHz | Master and slave | Slave |

Table 25 describes the proper configurations for standard audio data formats.

Table 25. Data Format Configurations

| Format | LRCLK Polarity (LRPOL) | LRCLK Mode (LRMOD) | BCLK Polarity (BPOL) | BCLK Cycles/Audio Frame (BPF[2:0]) | Data Delay from LRCLK Edge (LRDEL[1:0]) |
|-------------------------------------|------------------------------|--------------------|------------------------------|------------------------------------|--|
| I ² S (see Figure 57) | Frame begins on falling edge | 50% duty cycle | Data changes on falling edge | 32 to 64 | Delayed from LRCLK edge by 1 BCLK |
| Left-Justified (see Figure 58) | Frame begins on rising edge | 50% duty cycle | Data changes on falling edge | 32 to 64 | Aligned with LRCLK edge |
| Right-Justified (see Figure 59) | Frame begins on rising edge | 50% duty cycle | Data changes on falling edge | 32 to 64 | Delayed from LRCLK edge by 8 or 16 BCLKs |
| TDM with Clock (see Figure 60) | Frame begins on falling edge | 50% duty cycle | Data changes on falling edge | 64 to 128 | Delayed from start of word clock by 1 BCLK |
| TDM with Pulse (see Figure 61) | Frame begins on rising edge | Pulse | Data changes on falling edge | 64 to 128 | Delayed from start of word clock by 1 BCLK |

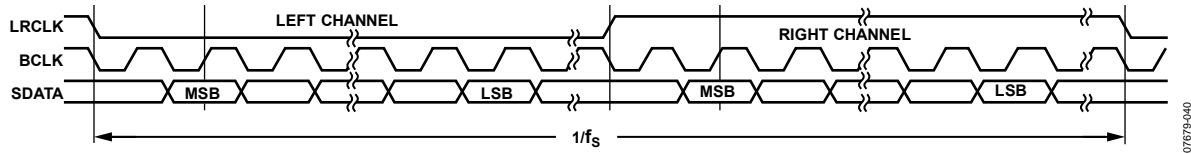


Figure 57. PS Mode—16 Bits to 24 Bits per Channel

07679-040

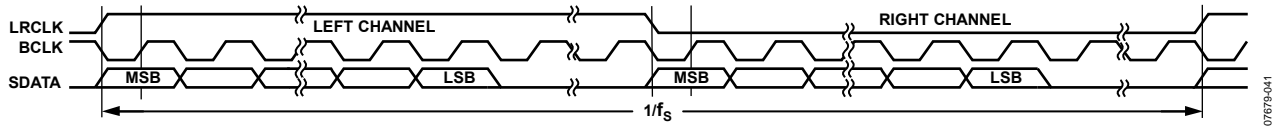


Figure 58. Left-Justified Mode—16 Bits to 24 Bits per Channel

07679-041

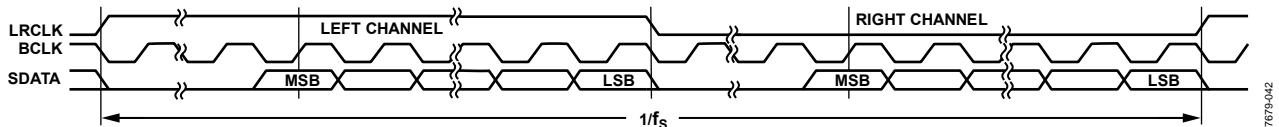


Figure 59. Right-Justified Mode—16 Bits to 24 Bits per Channel

07679-042

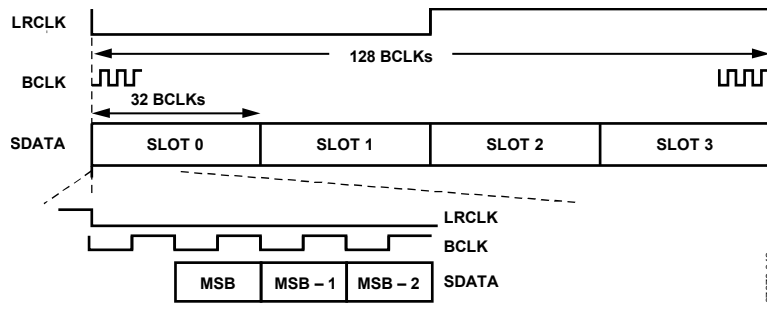


Figure 60. TDM 4 Mode

07679-043

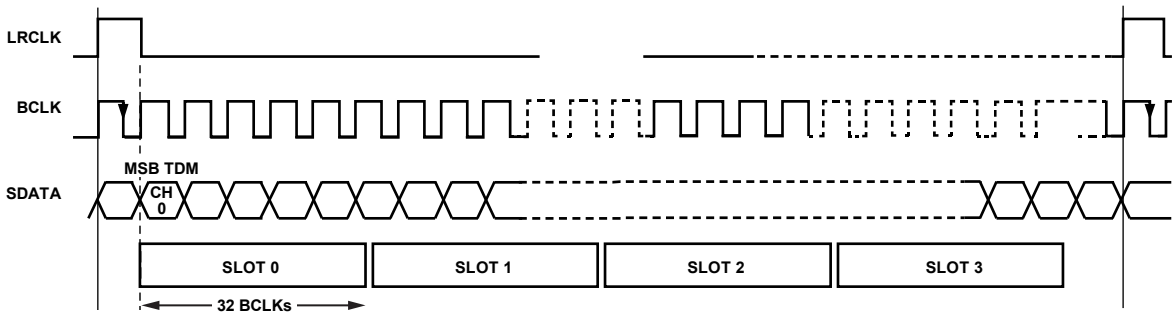


Figure 61. TDM 4 Mode with Pulse Word Clock

07679-044

APPLICATIONS INFORMATION

POWER SUPPLY BYPASS CAPACITORS

Each analog and digital power supply pin should be bypassed to its nearest appropriate ground pin with a single 100 nF capacitor. The connections to each side of the capacitor should be as short as possible, and the trace should stay on a single layer with no vias. For maximum effectiveness, locate the capacitor equidistant from the power and ground pins or, when equidistant placement is not possible, slightly closer to the power pin. Thermal connections to the ground planes should be made on the far side of the capacitor.

Each supply signal on the board should also be bypassed with a single bulk capacitor (10 μ F to 47 μ F).

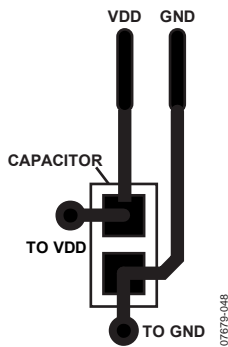


Figure 62. Recommended Power Supply Bypass Capacitor Layout

GSM NOISE FILTER

In mobile phone applications, excessive 217 Hz GSM noise on the analog supply pins can degrade the audio quality. To avoid this problem, it is recommended that an L-C filter be used in series with the bypass capacitors for the AVDD pins. This filter should consist of a 1.2 nH inductor and a 9.1 pF capacitor in series between AVDD and ground, as shown in Figure 63.



Figure 63. GSM Filter on the Analog Supply Pins

GROUNDING

A single ground plane should be used in the application layout. Components in an analog signal path should be placed away from digital signals.

EXPOSED PAD PCB DESIGN

The ADAU1361 has an exposed pad on the underside of the LFCSP. This pad is used to couple the package to the PCB for heat dissipation when using the outputs to drive earpiece or headphone loads. When designing a board for the ADAU1361, special consideration should be given to the following:

- A copper layer equal in size to the exposed pad should be on all layers of the board, from top to bottom, and should connect somewhere to a dedicated copper board layer (see Figure 64).
- Vias should be placed to connect all layers of copper, allowing for efficient heat and energy conductivity. For an example, see Figure 65, which has nine vias arranged in a 3 inch \times 3 inch grid in the pad area.

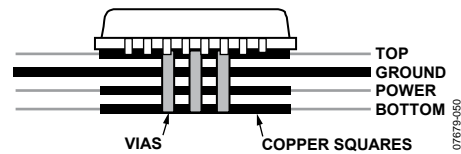


Figure 64. Exposed Pad Layout Example, Side View

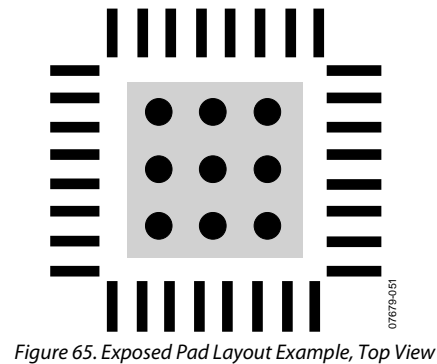


Figure 65. Exposed Pad Layout Example, Top View

CONTROL REGISTERS

Table 26. Register Map

| Reg | Address | Name | Bit 7 | Bit 6 | Bit 5 | Bit 4 | Bit 3 | Bit 2 | Bit 1 | Bit 0 | Default | |
|----------|---------|-----------------------|--------------|-------------|--------------|--------------|--------------|--------------|-------------|----------|----------|----------|
| R0 | 0x4000 | Clock control | Reserved | | | | CLKSRC | INFREQ[1:0] | | COREN | 00000000 | |
| R1 | 0x4002 | PLL control | M[15:8] | | | | | | | | 00000000 | |
| | | | M[7:0] | | | | | | | | 11111101 | |
| | | | N[15:8] | | | | | | | | 00000000 | |
| | | | N[7:0] | | | | | | | | 00001100 | |
| | | | Reserved | R[3:0] | | | X[1:0] | | Type | 00010000 | | |
| Reserved | | | Lock | | PLLEN | 00000000 | | | | | | |
| R2 | 0x4008 | Dig mic/jack detect | JDDDB[1:0] | | JDFUNC[1:0] | | Reserved | | JDPOL | 00000000 | | |
| R3 | 0x4009 | Rec power mgmt | Reserved | MXBIAS[1:0] | | ADCBIAS[1:0] | | RBIAS[1:0] | | Reserved | 00000000 | |
| R4 | 0x400A | Rec Mixer Left 0 | Reserved | LINPG[2:0] | | | LINNG[2:0] | | | MX1EN | 00000000 | |
| R5 | 0x400B | Rec Mixer Left 1 | Reserved | | | LDBOOST[1:0] | | MX1AUXG[2:0] | | | 00000000 | |
| R6 | 0x400C | Rec Mixer Right 0 | Reserved | RINPG[2:0] | | | RINNG[2:0] | | | MX2EN | 00000000 | |
| R7 | 0x400D | Rec Mixer Right 1 | Reserved | | | RDBOOST[1:0] | | MX2AUXG[2:0] | | | 00000000 | |
| R8 | 0x400E | Left diff input vol | LDVOL[5:0] | | | | | | LDMUTE | LDEN | 00000000 | |
| R9 | 0x400F | Right diff input vol | RDVOL[5:0] | | | | | | RDMUTE | RDEN | 00000000 | |
| R10 | 0x4010 | Record mic bias | Reserved | | | | MPERF | MBI | Reserved | MBIEN | 00000000 | |
| R11 | 0x4011 | ALC 0 | PGASLEW[1:0] | | ALCMAX[2:0] | | | ALCSEL[2:0] | | | 00000000 | |
| R12 | 0x4012 | ALC 1 | ALCHOLD[3:0] | | | | ALCTARG[3:0] | | | | 00000000 | |
| R13 | 0x4013 | ALC 2 | ALCATCK[3:0] | | | | ALCDEC[3:0] | | | | 00000000 | |
| R14 | 0x4014 | ALC 3 | NGTYP[1:0] | | NGEN | | NGTHR[4:0] | | | | 00000000 | |
| R15 | 0x4015 | Serial Port 0 | DITHEN | Reserved | LRMOD | BPOL | LRPOL | CHPF[1:0] | | MS | 00000000 | |
| R16 | 0x4016 | Serial Port 1 | BPF[2:0] | | | ADTDM | DATDM | MSBP | LRDEL[1:0] | | 00000000 | |
| R17 | 0x4017 | Converter 0 | Reserved | DAPAIR[1:0] | | DAOSR | ADOSR | CONVSR[2:0] | | | 00000000 | |
| R18 | 0x4018 | Converter 1 | Reserved | | | | | | ADPAIR[1:0] | | 00000000 | |
| R19 | 0x4019 | ADC control | Reserved | ADCPOL | HPF | DMPOL | DMSW | INSEL | ADCEN[1:0] | | 00010000 | |
| R20 | 0x401A | Left digital vol | LADVOL[7:0] | | | | | | | | 00000000 | |
| R21 | 0x401B | Right digital vol | RADVOL[7:0] | | | | | | | | 00000000 | |
| R22 | 0x401C | Play Mixer Left 0 | Reserved | MX3RM | MX3LM | MX3AUXG[3:0] | | | MX3EN | 00000000 | | |
| R23 | 0x401D | Play Mixer Left 1 | MX3G2[3:0] | | | | MX3G1[3:0] | | | | 00000000 | |
| R24 | 0x401E | Play Mixer Right 0 | Reserved | MX4RM | MX4LM | MX4AUXG[3:0] | | | MX4EN | 00000000 | | |
| R25 | 0x401F | Play Mixer Right 1 | MX4G2[3:0] | | | | MX4G1[3:0] | | | | 00000000 | |
| R26 | 0x4020 | Play L/R mixer left | Reserved | | | MX5G4[1:0] | | MX5G3[1:0] | | MX5EN | 00000000 | |
| R27 | 0x4021 | Play L/R mixer right | Reserved | | | MX6G4[1:0] | | MX6G3[1:0] | | MX6EN | 00000000 | |
| R28 | 0x4022 | Play L/R mixer mono | Reserved | | | | | MX7[1:0] | | MX7EN | 00000000 | |
| R29 | 0x4023 | Play HP left vol | LHPVOL[5:0] | | | | | | LHPM | HPEN | 00000010 | |
| R30 | 0x4024 | Play HP right vol | RHPVOL[5:0] | | | | | | RHPM | HPMODE | 00000010 | |
| R31 | 0x4025 | Line output left vol | LOUTVOL[5:0] | | | | | | LOUTM | LOMODE | 00000010 | |
| R32 | 0x4026 | Line output right vol | ROUTVOL[5:0] | | | | | | ROUTM | ROMODE | 00000010 | |
| R33 | 0x4027 | Play mono output | MONOVOL[5:0] | | | | | | MONOM | MOMODE | 00000010 | |
| R34 | 0x4028 | Pop/click suppress | Reserved | | | POPMODE | POPLESS | ASLEW[1:0] | | Reserved | 00000000 | |
| R35 | 0x4029 | Play power mgmt | HPBIAS[1:0] | | DACBIAS[1:0] | | PBIAS[1:0] | | PREN | PLEN | 00000000 | |
| R36 | 0x402A | DAC Control 0 | DACMONO[1:0] | | DACPOL | Reserved | | DEMPH | DACEN[1:0] | | 00000000 | |
| R37 | 0x402B | DAC Control 1 | LDAVOL[7:0] | | | | | | | 00000000 | | |
| R38 | 0x402C | DAC Control 2 | RDAVOL[7:0] | | | | | | | 00000000 | | |
| R39 | 0x402D | Serial port pad | ADCSDP[1:0] | | DACSDP[1:0] | | LRCLKP[1:0] | | BCLKP[1:0] | | 10101010 | |
| R40 | 0x402F | Control Port Pad 0 | CDATP[1:0] | | CLCHP[1:0] | | SCLP[1:0] | | SDAP[1:0] | | 10101010 | |
| R41 | 0x4030 | Control Port Pad 1 | Reserved | | | | | | | | SDASTR | 00000000 |
| R42 | 0x4031 | Jack detect pin | Reserved | | JDSTR | Reserved | JDP[1:0] | | Reserved | | 00001000 | |
| R67 | 0x4036 | Dejitter control | DEJIT[7:0] | | | | | | | | 00000011 | |

CONTROL REGISTER DETAILS

All registers except for the PLL control register are 1-byte write and read registers.

R0: Clock Control, 16,384 (0x4000)

| Bit 7 | Bit 6 | Bit 5 | Bit 4 | Bit 3 | Bit 2 | Bit 1 | Bit 0 |
|----------|-------|-------|-------|--------|-------------|-------|-------|
| Reserved | | | | CLKSRC | INFREQ[1:0] | | COREN |

Table 27. Clock Control Register

| Bits | Bit Name | Description | | | | | | | | | | |
|---------|----------------------------|---|---------|-----------------------|----|----------------------------|----|------------------|----|------------------|----|-------------------|
| 3 | CLKSRC | Clock source select. 0 = direct from MCLK pin (default). 1 = PLL clock. | | | | | | | | | | |
| [2:1] | INFREQ[1:0] | Input clock frequency. Sets the core clock rate that generates the core clock. If the PLL is used, this value is automatically set to $1024 \times f_s$. | | | | | | | | | | |
| | | <table border="1"> <thead> <tr> <th>Setting</th> <th>Input Clock Frequency</th> </tr> </thead> <tbody> <tr> <td>00</td> <td>$256 \times f_s$ (default)</td> </tr> <tr> <td>01</td> <td>$512 \times f_s$</td> </tr> <tr> <td>10</td> <td>$768 \times f_s$</td> </tr> <tr> <td>11</td> <td>$1024 \times f_s$</td> </tr> </tbody> </table> | Setting | Input Clock Frequency | 00 | $256 \times f_s$ (default) | 01 | $512 \times f_s$ | 10 | $768 \times f_s$ | 11 | $1024 \times f_s$ |
| Setting | Input Clock Frequency | | | | | | | | | | | |
| 00 | $256 \times f_s$ (default) | | | | | | | | | | | |
| 01 | $512 \times f_s$ | | | | | | | | | | | |
| 10 | $768 \times f_s$ | | | | | | | | | | | |
| 11 | $1024 \times f_s$ | | | | | | | | | | | |
| 0 | COREN | Core clock enable. Only the R0 and R1 registers can be accessed when this bit is set to 0 (core clock disabled). 0 = core clock disabled (default). 1 = core clock enabled. | | | | | | | | | | |

R1: PLL Control, 16,386 (0x4002)

| Byte | Bit 7 | Bit 6 | Bit 5 | Bit 4 | Bit 3 | Bit 2 | Bit 1 | Bit 0 |
|------|----------|--------|-------|-------|-------|--------|-------|-------|
| 0 | M[15:8] | | | | | | | |
| 1 | M[7:0] | | | | | | | |
| 2 | N[15:8] | | | | | | | |
| 3 | N[7:0] | | | | | | | |
| 4 | Reserved | R[3:0] | | | | X[1:0] | | Type |
| 5 | Reserved | | | | | | Lock | PLLEN |

Table 28. PLL Control Register

| Byte | Bits | Bit Name | Description | | | | | | | | | | | | | | | | | | |
|---------------|--------------|---------------|--|---------------|--------------|------------|----------|----------|---|-----|-----|-----|----------|----------|---------------|-----|-----|-----|----------|----------|--------|
| 0 | [7:0] | M[15:8] | PLL denominator MSB. This value is concatenated with M[7:0] to make up a 16-bit number. | | | | | | | | | | | | | | | | | | |
| 1 | [7:0] | M[7:0] | PLL denominator LSB. This value is concatenated with M[15:8] to make up a 16-bit number. | | | | | | | | | | | | | | | | | | |
| | | | <table border="1"> <thead> <tr> <th>M[15:8] (MSB)</th> <th>M[7:0] (LSB)</th> <th>Value of M</th> </tr> </thead> <tbody> <tr> <td>00000000</td> <td>00000000</td> <td>0</td> </tr> <tr> <td>...</td> <td>...</td> <td>...</td> </tr> <tr> <td>00000000</td> <td>11111101</td> <td>253 (default)</td> </tr> <tr> <td>...</td> <td>...</td> <td>...</td> </tr> <tr> <td>11111111</td> <td>11111111</td> <td>65,535</td> </tr> </tbody> </table> | M[15:8] (MSB) | M[7:0] (LSB) | Value of M | 00000000 | 00000000 | 0 | ... | ... | ... | 00000000 | 11111101 | 253 (default) | ... | ... | ... | 11111111 | 11111111 | 65,535 |
| M[15:8] (MSB) | M[7:0] (LSB) | Value of M | | | | | | | | | | | | | | | | | | | |
| 00000000 | 00000000 | 0 | | | | | | | | | | | | | | | | | | | |
| ... | ... | ... | | | | | | | | | | | | | | | | | | | |
| 00000000 | 11111101 | 253 (default) | | | | | | | | | | | | | | | | | | | |
| ... | ... | ... | | | | | | | | | | | | | | | | | | | |
| 11111111 | 11111111 | 65,535 | | | | | | | | | | | | | | | | | | | |
| 2 | [7:0] | N[15:8] | PLL numerator MSB. This value is concatenated with N[7:0] to make up a 16-bit number. | | | | | | | | | | | | | | | | | | |
| 3 | [7:0] | N[7:0] | PLL numerator LSB. This value is concatenated with N[15:8] to make up a 16-bit number. | | | | | | | | | | | | | | | | | | |
| | | | <table border="1"> <thead> <tr> <th>N[15:8] (MSB)</th> <th>N[7:0] (LSB)</th> <th>Value of N</th> </tr> </thead> <tbody> <tr> <td>00000000</td> <td>00000000</td> <td>0</td> </tr> <tr> <td>...</td> <td>...</td> <td>...</td> </tr> <tr> <td>00000000</td> <td>00001100</td> <td>12 (default)</td> </tr> <tr> <td>...</td> <td>...</td> <td>...</td> </tr> <tr> <td>11111111</td> <td>11111111</td> <td>65,535</td> </tr> </tbody> </table> | N[15:8] (MSB) | N[7:0] (LSB) | Value of N | 00000000 | 00000000 | 0 | ... | ... | ... | 00000000 | 00001100 | 12 (default) | ... | ... | ... | 11111111 | 11111111 | 65,535 |
| N[15:8] (MSB) | N[7:0] (LSB) | Value of N | | | | | | | | | | | | | | | | | | | |
| 00000000 | 00000000 | 0 | | | | | | | | | | | | | | | | | | | |
| ... | ... | ... | | | | | | | | | | | | | | | | | | | |
| 00000000 | 00001100 | 12 (default) | | | | | | | | | | | | | | | | | | | |
| ... | ... | ... | | | | | | | | | | | | | | | | | | | |
| 11111111 | 11111111 | 65,535 | | | | | | | | | | | | | | | | | | | |

| Byte | Bits | Bit Name | Description | |
|------|-------|----------|--|-------------------|
| 4 | [6:3] | R[3:0] | PLL integer setting. | |
| | | | Setting | Value of R |
| | | | 0010 | 2 (default) |
| | | | 0011 | 3 |
| | | | 0100 | 4 |
| | | | 0101 | 5 |
| | | | 0110 | 6 |
| | | | 1000 | 8 |
| 4 | [2:1] | X[1:0] | PLL input clock divider. | |
| | | | Setting | Value of X |
| | | | 00 | 1 (default) |
| | | | 01 | 2 |
| | | | 11 | 4 |
| 4 | 0 | Type | Type of PLL. When set to integer mode, the values of M and N are ignored. 0 = integer (default). 1 = fractional. | |
| 5 | 1 | Lock | PLL lock. This read-only bit is flagged when the PLL has finished locking. 0 = PLL unlocked (default). 1 = PLL locked. | |
| 5 | 0 | PLLEN | PLL enable. 0 = PLL disabled (default). 1 = PLL enabled. | |

R2: Digital Microphone/Jack Detection Control, 16,392 (0x4008)

| Bit 7 | Bit 6 | Bit 5 | Bit 4 | Bit 3 | Bit 2 | Bit 1 | Bit 0 |
|------------|-------|-------------|-------|----------|-------|-------|-------|
| JDDDB[1:0] | | JDFUNC[1:0] | | Reserved | | | JDPOL |

Table 29. Digital Microphone/Jack Detection Control Register

| Bits | Bit Name | Description | |
|-------|-------------|--|---------------------------|
| [7:6] | JDDDB[1:0] | Jack detect debounce time. | |
| | | Setting | Debounce Time |
| | | 00 | 5 ms (default) |
| | | 01 | 10 ms |
| | | 11 | 40 ms |
| [5:4] | JDFUNC[1:0] | JACKDET/MICIN pin function. Enables or disables the jack detect function or configures the pin for a digital microphone input. | |
| | | Setting | Pin Function |
| | | 00 | Jack detect off (default) |
| | | 01 | Jack detect on |
| | | 11 | Reserved |
| 0 | JDPOL | Jack detect polarity. Detects high or low signal. 0 = detect high signal (default). 1 = detect low signal. | |

R3: Record Power Management, 16,393 (0x4009)

This register manages the power consumption for the record path. In particular, the current distribution for the mixer boosts, ADCs, record path mixers, and PGAs can be set to one of four modes. These settings are normal operation, power saving mode, enhanced performance mode, and extreme power saving mode. Each of these modes draws current from a central bias. Enhanced performance mode offers the highest performance with the trade-off of higher power consumption.

| Bit 7 | Bit 6 | Bit 5 | Bit 4 | Bit 3 | Bit 2 | Bit 1 | Bit 0 |
|----------|-------------|-------|--------------|-------|------------|-------|----------|
| Reserved | MXBIAS[1:0] | | ADCBIAS[1:0] | | RBIAS[1:0] | | Reserved |

Table 30. Record Power Management Register

| Bits | Bit Name | Description |
|-------|--------------|---|
| [6:5] | MXBIAS[1:0] | Mixer amplifier bias boost. Sets the boost level for the bias current of the record path mixers. In some cases, the boost level enhances the THD + N performance. |
| | | Setting |
| | | 00 |
| | | 01 |
| | | 10 |
| [4:3] | ADCBIAS[1:0] | ADC bias control. Sets the bias current for the ADCs based on the mode of operation selected. |
| | | Setting |
| | | 00 |
| | | 01 |
| | | 10 |
| [2:1] | RBIAS[1:0] | Record path bias control. Sets the bias current for the PGAs and mixers in the record path. |
| | | Setting |
| | | 00 |
| | | 01 |
| | | 10 |

R4: Record Mixer Left (Mixer 1) Control 0, 16,394 (0x400A)

This register controls the gain of single-ended inputs for the left channel record path. The left channel record mixer is referred to as Mixer 1.

| Bit 7 | Bit 6 | Bit 5 | Bit 4 | Bit 3 | Bit 2 | Bit 1 | Bit 0 |
|----------|------------|-------|-------|------------|-------|-------|-------|
| Reserved | LINPG[2:0] | | | LINNG[2:0] | | | MX1EN |

Table 31. Record Mixer Left (Mixer 1) Control 0 Register

| Bits | Bit Name | Description | |
|-------|------------|--|----------------|
| [6:4] | LINPG[2:0] | Gain for a left channel single-ended input from the LINP pin, input to Mixer 1. | |
| | | Setting | Gain |
| | | 000 | Mute (default) |
| | | 001 | -12 dB |
| | | 010 | -9 dB |
| | | 011 | -6 dB |
| | | 100 | -3 dB |
| | | 101 | 0 dB |
| | | 110 | 3 dB |
| | | 111 | 6 dB |
| [3:1] | LINNG[2:0] | Gain for a left channel single-ended input from the LINN pin, input to Mixer 1. | |
| | | Setting | Gain |
| | | 000 | Mute (default) |
| | | 001 | -12 dB |
| | | 010 | -9 dB |
| | | 011 | -6 dB |
| | | 100 | -3 dB |
| | | 101 | 0 dB |
| | | 110 | 3 dB |
| | | 111 | 6 dB |
| 0 | MX1EN | Left channel mixer enable in the record path. Referred to as Mixer 1. 0 = mixer disabled (default). 1 = mixer enabled. | |

R5: Record Mixer Left (Mixer 1) Control 1, 16,395 (0x400B)

This register controls the gain boost of the left channel differential PGA input and the gain for the left channel auxiliary input in the record path. The left channel record mixer is referred to as Mixer 1.

| Bit 7 | Bit 6 | Bit 5 | Bit 4 | Bit 3 | Bit 2 | Bit 1 | Bit 0 |
|----------|-------|-------|--------------|-------|--------------|-------|-------|
| Reserved | | | LDBOOST[1:0] | | MX1AUXG[2:0] | | |

Table 32. Record Mixer Left (Mixer 1) Control 1 Register

| Bits | Bit Name | Description | |
|-------|--------------|--|-----------------------------|
| [4:3] | LDBOOST[1:0] | Left channel differential PGA input gain boost, input to Mixer 1. The left differential input uses the LINP (positive signal) and LINN (negative signal) pins. | |
| | | Setting | Gain Boost |
| | | 00 | Mute (default) |
| | | 01 | 0 dB |
| | | 10 | 20 dB |
| | 11 | Reserved | |
| [2:0] | MX1AUXG[2:0] | Left single-ended auxiliary input gain from the LAUX pin in the record path, input to Mixer 1. | |
| | | Setting | Auxiliary Input Gain |
| | | 000 | Mute (default) |
| | | 001 | -12 dB |
| | | 010 | -9 dB |
| | | 011 | -6 dB |
| | | 100 | -3 dB |
| | | 101 | 0 dB |
| | | 110 | 3 dB |
| 111 | 6 dB | | |

R6: Record Mixer Right (Mixer 2) Control 0, 16,396 (0x400C)

This register controls the gain of single-ended inputs for the right channel record path. The right channel record mixer is referred to as Mixer 2.

| Bit 7 | Bit 6 | Bit 5 | Bit 4 | Bit 3 | Bit 2 | Bit 1 | Bit 0 |
|----------|------------|-------|-------|------------|-------|-------|-------|
| Reserved | RINPG[2:0] | | | RINNG[2:0] | | | MX2EN |

Table 33. Record Mixer Right (Mixer 2) Control 0 Register

| Bits | Bit Name | Description | |
|-------|------------|---|----------------|
| [6:4] | RINPG[2:0] | Gain for a right channel single-ended input from the RINP pin, input to Mixer 2. | |
| | | Setting | Gain |
| | | 000 | Mute (default) |
| | | 001 | -12 dB |
| | | 010 | -9 dB |
| | | 011 | -6 dB |
| | | 100 | -3 dB |
| | | 101 | 0 dB |
| | | 110 | 3 dB |
| | | 111 | 6 dB |
| [3:1] | RINNG[2:0] | Gain for a right channel single-ended input from the RINN pin, input to Mixer 2. | |
| | | Setting | Gain |
| | | 000 | Mute (default) |
| | | 001 | -12 dB |
| | | 010 | -9 dB |
| | | 011 | -6 dB |
| | | 100 | -3 dB |
| | | 101 | 0 dB |
| | | 110 | 3 dB |
| | | 111 | 6 dB |
| 0 | MX2EN | Right channel mixer enable in the record path. Referred to as Mixer 2. 0 = mixer disabled (default). 1 = mixer enabled. | |

R7: Record Mixer Right (Mixer 2) Control 1, 16,397 (0x400D)

This register controls the gain boost of the right channel differential PGA input and the gain for the right channel auxiliary input in the record path. The right channel record mixer is referred to as Mixer 2.

| Bit 7 | Bit 6 | Bit 5 | Bit 4 | Bit 3 | Bit 2 | Bit 1 | Bit 0 |
|----------|-------|-------|--------------|-------|--------------|-------|-------|
| Reserved | | | RDBOOST[1:0] | | MX2AUXG[2:0] | | |

Table 34. Record Mixer Right (Mixer 2) Control 1 Register

| Bits | Bit Name | Description | |
|-------|--------------|--|-----------------------------|
| [4:3] | RDBOOST[1:0] | Right channel differential PGA input gain boost, input to Mixer 2. The right differential input uses the RINP (positive signal) and RINN (negative signal) pins. | |
| | | Setting | Gain Boost |
| | | 00 | Mute (default) |
| | | 01 | 0 dB |
| | | 10 | 20 dB |
| | | 11 | Reserved |
| [2:0] | MX2AUXG[2:0] | Right single-ended auxiliary input gain from the RAUX pin in the record path, input to Mixer 2. | |
| | | Setting | Auxiliary Input Gain |
| | | 000 | Mute (default) |
| | | 001 | -12 dB |
| | | 010 | -9 dB |
| | | 011 | -6 dB |
| | | 100 | -3 dB |
| | | 101 | 0 dB |
| | | 110 | 3 dB |
| | | | |

R8: Left Differential Input Volume Control, 16,398 (0x400E)

This register enables the differential path and sets the volume control for the left differential PGA input.

| Bit 7 | Bit 6 | Bit 5 | Bit 4 | Bit 3 | Bit 2 | Bit 1 | Bit 0 |
|------------|-------|-------|-------|-------|-------|--------|-------|
| LDVOL[5:0] | | | | | | LDMUTE | LDEN |

Table 35. Left Differential Input Volume Control Register

| Bits | Bit Name | Description | |
|-------|------------|---|------------------|
| [7:2] | LDVOL[5:0] | Left channel differential PGA input volume control. The left differential input uses the LINP (positive signal) and LINN (negative signal) pins. Each step corresponds to a 0.75 dB increase in gain. See Table 71 for a complete list of the volume settings. | |
| | | Setting | Volume |
| | | 000000 | -12 dB (default) |
| | | 000001 | -11.25 dB |
| | | ... | ... |
| | | 010000 | 0 dB |
| | | ... | ... |
| | | 111110 | 34.5 dB |
| | | 111111 | 35.25 dB |
| | | 1 | LDMUTE |
| 0 | LDEN | Left differential PGA enable. When enabled, the LINP and LINN pins are used as a full differential pair. When disabled, these two pins are configured as two single-ended inputs with the signals routed around the PGA. 0 = disabled (default). 1 = enabled. | |

R9: Right Differential Input Volume Control, 16,399 (0x400F)

This register enables the differential path and sets the volume control for the right differential PGA input.

| Bit 7 | Bit 6 | Bit 5 | Bit 4 | Bit 3 | Bit 2 | Bit 1 | Bit 0 |
|------------|-------|-------|-------|-------|-------|--------|-------|
| RDVOL[5:0] | | | | | | RDMUTE | RDEN |

Table 36. Right Differential Input Volume Control Register

| Bits | Bit Name | Description | | | | | | | | | | | | | | | | |
|---------|------------------|--|---------|--------|--------|------------------|--------|-----------|-----|-----|--------|------|-----|-----|--------|---------|--------|----------|
| [7:2] | RDVOL[5:0] | Right channel differential PGA input volume control. The right differential input uses the RINP (positive signal) and RINN (negative signal) pins. Each step corresponds to a 0.75 dB increase in gain. See Table 71 for a complete list of the volume settings. | | | | | | | | | | | | | | | | |
| | | <table border="1"> <thead> <tr> <th>Setting</th> <th>Volume</th> </tr> </thead> <tbody> <tr> <td>000000</td> <td>-12 dB (default)</td> </tr> <tr> <td>000001</td> <td>-11.25 dB</td> </tr> <tr> <td>...</td> <td>...</td> </tr> <tr> <td>010000</td> <td>0 dB</td> </tr> <tr> <td>...</td> <td>...</td> </tr> <tr> <td>111110</td> <td>34.5 dB</td> </tr> <tr> <td>111111</td> <td>35.25 dB</td> </tr> </tbody> </table> | Setting | Volume | 000000 | -12 dB (default) | 000001 | -11.25 dB | ... | ... | 010000 | 0 dB | ... | ... | 111110 | 34.5 dB | 111111 | 35.25 dB |
| Setting | Volume | | | | | | | | | | | | | | | | | |
| 000000 | -12 dB (default) | | | | | | | | | | | | | | | | | |
| 000001 | -11.25 dB | | | | | | | | | | | | | | | | | |
| ... | ... | | | | | | | | | | | | | | | | | |
| 010000 | 0 dB | | | | | | | | | | | | | | | | | |
| ... | ... | | | | | | | | | | | | | | | | | |
| 111110 | 34.5 dB | | | | | | | | | | | | | | | | | |
| 111111 | 35.25 dB | | | | | | | | | | | | | | | | | |
| 1 | RDMUTE | Right differential input mute control. 0 = mute (default). 1 = unmute. | | | | | | | | | | | | | | | | |
| 0 | RDEN | Right differential PGA enable. When enabled, the RINP and RINN pins are used as a full differential pair. When disabled, these two pins are configured as two single-ended inputs with the signals routed around the PGA. 0 = disabled (default). 1 = enabled. | | | | | | | | | | | | | | | | |

R10: Record Microphone Bias Control, 16,400 (0x4010)

This register controls the MICBIAS pin settings for biasing electret type analog microphones.

| Bit 7 | Bit 6 | Bit 5 | Bit 4 | Bit 3 | Bit 2 | Bit 1 | Bit 0 |
|----------|-------|-------|-------|-------|-------|----------|-------|
| Reserved | | | | MPERF | MBI | Reserved | MBIEN |

Table 37. Record Microphone Bias Control Register

| Bits | Bit Name | Description |
|------|----------|---|
| 3 | MPERF | Microphone bias is enabled for high performance or normal operation. High performance operation sources more current to the microphone. 0 = normal operation (default). 1 = high performance. |
| 2 | MBI | Microphone voltage bias as a fraction of AVDD. 0 = 0.90 × AVDD (default). 1 = 0.65 × AVDD. |
| 0 | MBIEN | Enables the MICBIAS output. 0 = disabled (default). 1 = enabled. |

R11: ALC Control 0, 16,401 (0x4011)

| | | | | | | | |
|--------------|--------------|--------------|--------------|--------------|--------------|--------------|--------------|
| Bit 7 | Bit 6 | Bit 5 | Bit 4 | Bit 3 | Bit 2 | Bit 1 | Bit 0 |
| PGASLEW[1:0] | | ALCMAX[2:0] | | | ALCSEL[2:0] | | |

Table 38. ALC Control 0 Register

| Bits | Bit Name | Description | |
|-------------|-----------------|---|-------------------------|
| [7:6] | PGASLEW[1:0] | PGA volume slew time when the ALC is off. The slew time is the period of time that a volume increase or decrease takes to ramp up or ramp down to the target volume set in Register R8 (left differential input volume control) and Register R9 (right differential input volume control). | |
| | | Setting | Slew Time |
| | | 00 | 24 ms (default) |
| | | 01 | 48 ms |
| | | 10 11 | 96 ms Off |
| [5:3] | ALCMAX[2:0] | The maximum ALC gain sets a limit to the amount of gain that the ALC can provide to the input signal. This protects small signals from excessive amplification. | |
| | | Setting | Maximum ALC Gain |
| | | 000 | -12 dB (default) |
| | | 001 | -6 dB |
| | | 010 | 0 dB |
| | | 011 | 6 dB |
| | | 100 | 12 dB |
| | | 101 | 18 dB |
| | | 110 111 | 24 dB 30 dB |
| [2:0] | ALCSEL[2:0] | ALC select. These bits set the channels that are controlled by the ALC. When set to right only, the ALC responds only to the right channel input and controls the gain of the right PGA amplifier only. When set to left only, the ALC responds only to the left channel input and controls the gain of the left PGA amplifier only. When set to stereo, the ALC responds to the greater of the left or right channel and controls the gain of both the left and right PGA amplifiers. These bits must be off if manual control of the volume is desired. | |
| | | Setting | Channels |
| | | 000 | Off (default) |
| | | 001 | Right only |
| | | 010 | Left only |
| | | 011 | Stereo |
| | | 100 | Reserved |
| | | 101 | Reserved |
| | | 110 111 | Reserved Reserved |

R12: ALC Control 1, 16,402 (0x4012)

| Bit 7 | Bit 6 | Bit 5 | Bit 4 | Bit 3 | Bit 2 | Bit 1 | Bit 0 |
|--------------|-------|-------|-------|--------------|-------|-------|-------|
| ALCHOLD[3:0] | | | | ALCTARG[3:0] | | | |

Table 39. ALC Control 1 Register

| Bits | Bit Name | Description | | | | | | | | | | | | | | | | | | | | | | | | | | | | | | | | | | |
|---------|--------------------|--|---------|------------|------|--------------------|------|---------|------|----------|------|----------|------|----------|------|----------|------|-----------|------|-----------|------|-----------|------|-----------|------|------------|------|------------|------|------------|------|------------|------|------------|------|------------|
| [7:4] | ALCHOLD[3:0] | ALC hold time. The ALC hold time is the amount of time that the ALC waits after a decrease in input level before increasing the gain to achieve the target level. The recommended minimum setting is 21 ms (0011) to prevent distortion of low frequency signals. The hold time doubles with every 1-bit increase. | | | | | | | | | | | | | | | | | | | | | | | | | | | | | | | | | | |
| | | <table border="1"> <thead> <tr> <th>Setting</th> <th>Hold Time</th> </tr> </thead> <tbody> <tr><td>0000</td><td>2.67 ms (default)</td></tr> <tr><td>0001</td><td>5.34 ms</td></tr> <tr><td>0010</td><td>10.68 ms</td></tr> <tr><td>0011</td><td>21.36 ms</td></tr> <tr><td>0100</td><td>42.72 ms</td></tr> <tr><td>0101</td><td>85.44 ms</td></tr> <tr><td>0110</td><td>170.88 ms</td></tr> <tr><td>0111</td><td>341.76 ms</td></tr> <tr><td>1000</td><td>683.52 ms</td></tr> <tr><td>1001</td><td>1.367 sec</td></tr> <tr><td>1010</td><td>2.7341 sec</td></tr> <tr><td>1011</td><td>5.4682 sec</td></tr> <tr><td>1100</td><td>10.936 sec</td></tr> <tr><td>1101</td><td>21.873 sec</td></tr> <tr><td>1110</td><td>43.745 sec</td></tr> <tr><td>1111</td><td>87.491 sec</td></tr> </tbody> </table> | Setting | Hold Time | 0000 | 2.67 ms (default) | 0001 | 5.34 ms | 0010 | 10.68 ms | 0011 | 21.36 ms | 0100 | 42.72 ms | 0101 | 85.44 ms | 0110 | 170.88 ms | 0111 | 341.76 ms | 1000 | 683.52 ms | 1001 | 1.367 sec | 1010 | 2.7341 sec | 1011 | 5.4682 sec | 1100 | 10.936 sec | 1101 | 21.873 sec | 1110 | 43.745 sec | 1111 | 87.491 sec |
| Setting | Hold Time | | | | | | | | | | | | | | | | | | | | | | | | | | | | | | | | | | | |
| 0000 | 2.67 ms (default) | | | | | | | | | | | | | | | | | | | | | | | | | | | | | | | | | | | |
| 0001 | 5.34 ms | | | | | | | | | | | | | | | | | | | | | | | | | | | | | | | | | | | |
| 0010 | 10.68 ms | | | | | | | | | | | | | | | | | | | | | | | | | | | | | | | | | | | |
| 0011 | 21.36 ms | | | | | | | | | | | | | | | | | | | | | | | | | | | | | | | | | | | |
| 0100 | 42.72 ms | | | | | | | | | | | | | | | | | | | | | | | | | | | | | | | | | | | |
| 0101 | 85.44 ms | | | | | | | | | | | | | | | | | | | | | | | | | | | | | | | | | | | |
| 0110 | 170.88 ms | | | | | | | | | | | | | | | | | | | | | | | | | | | | | | | | | | | |
| 0111 | 341.76 ms | | | | | | | | | | | | | | | | | | | | | | | | | | | | | | | | | | | |
| 1000 | 683.52 ms | | | | | | | | | | | | | | | | | | | | | | | | | | | | | | | | | | | |
| 1001 | 1.367 sec | | | | | | | | | | | | | | | | | | | | | | | | | | | | | | | | | | | |
| 1010 | 2.7341 sec | | | | | | | | | | | | | | | | | | | | | | | | | | | | | | | | | | | |
| 1011 | 5.4682 sec | | | | | | | | | | | | | | | | | | | | | | | | | | | | | | | | | | | |
| 1100 | 10.936 sec | | | | | | | | | | | | | | | | | | | | | | | | | | | | | | | | | | | |
| 1101 | 21.873 sec | | | | | | | | | | | | | | | | | | | | | | | | | | | | | | | | | | | |
| 1110 | 43.745 sec | | | | | | | | | | | | | | | | | | | | | | | | | | | | | | | | | | | |
| 1111 | 87.491 sec | | | | | | | | | | | | | | | | | | | | | | | | | | | | | | | | | | | |
| [3:0] | ALCTARG[3:0] | ALC target. The ALC target sets the desired ADC input level. The PGA gain is adjusted by the ALC to reach this target level. The recommended target level is between –16 dB and –10 dB to accommodate transients without clipping the ADC. | | | | | | | | | | | | | | | | | | | | | | | | | | | | | | | | | | |
| | | <table border="1"> <thead> <tr> <th>Setting</th> <th>ALC Target</th> </tr> </thead> <tbody> <tr><td>0000</td><td>–28.5 dB (default)</td></tr> <tr><td>0001</td><td>–27 dB</td></tr> <tr><td>0010</td><td>–25.5 dB</td></tr> <tr><td>0011</td><td>–24 dB</td></tr> <tr><td>0100</td><td>–22.5 dB</td></tr> <tr><td>0101</td><td>–21 dB</td></tr> <tr><td>0110</td><td>–19.5 dB</td></tr> <tr><td>0111</td><td>–18 dB</td></tr> <tr><td>1000</td><td>–16.5 dB</td></tr> <tr><td>1001</td><td>–15 dB</td></tr> <tr><td>1010</td><td>–13.5 dB</td></tr> <tr><td>1011</td><td>–12 dB</td></tr> <tr><td>1100</td><td>–10.5 dB</td></tr> <tr><td>1101</td><td>–9 dB</td></tr> <tr><td>1110</td><td>–7.5 dB</td></tr> <tr><td>1111</td><td>–6 dB</td></tr> </tbody> </table> | Setting | ALC Target | 0000 | –28.5 dB (default) | 0001 | –27 dB | 0010 | –25.5 dB | 0011 | –24 dB | 0100 | –22.5 dB | 0101 | –21 dB | 0110 | –19.5 dB | 0111 | –18 dB | 1000 | –16.5 dB | 1001 | –15 dB | 1010 | –13.5 dB | 1011 | –12 dB | 1100 | –10.5 dB | 1101 | –9 dB | 1110 | –7.5 dB | 1111 | –6 dB |
| Setting | ALC Target | | | | | | | | | | | | | | | | | | | | | | | | | | | | | | | | | | | |
| 0000 | –28.5 dB (default) | | | | | | | | | | | | | | | | | | | | | | | | | | | | | | | | | | | |
| 0001 | –27 dB | | | | | | | | | | | | | | | | | | | | | | | | | | | | | | | | | | | |
| 0010 | –25.5 dB | | | | | | | | | | | | | | | | | | | | | | | | | | | | | | | | | | | |
| 0011 | –24 dB | | | | | | | | | | | | | | | | | | | | | | | | | | | | | | | | | | | |
| 0100 | –22.5 dB | | | | | | | | | | | | | | | | | | | | | | | | | | | | | | | | | | | |
| 0101 | –21 dB | | | | | | | | | | | | | | | | | | | | | | | | | | | | | | | | | | | |
| 0110 | –19.5 dB | | | | | | | | | | | | | | | | | | | | | | | | | | | | | | | | | | | |
| 0111 | –18 dB | | | | | | | | | | | | | | | | | | | | | | | | | | | | | | | | | | | |
| 1000 | –16.5 dB | | | | | | | | | | | | | | | | | | | | | | | | | | | | | | | | | | | |
| 1001 | –15 dB | | | | | | | | | | | | | | | | | | | | | | | | | | | | | | | | | | | |
| 1010 | –13.5 dB | | | | | | | | | | | | | | | | | | | | | | | | | | | | | | | | | | | |
| 1011 | –12 dB | | | | | | | | | | | | | | | | | | | | | | | | | | | | | | | | | | | |
| 1100 | –10.5 dB | | | | | | | | | | | | | | | | | | | | | | | | | | | | | | | | | | | |
| 1101 | –9 dB | | | | | | | | | | | | | | | | | | | | | | | | | | | | | | | | | | | |
| 1110 | –7.5 dB | | | | | | | | | | | | | | | | | | | | | | | | | | | | | | | | | | | |
| 1111 | –6 dB | | | | | | | | | | | | | | | | | | | | | | | | | | | | | | | | | | | |

R13: ALC Control 2, 16,403 (0x4013)

| | | | | | | | |
|--------------|-------|-------|-------|-------------|-------|-------|-------|
| Bit 7 | Bit 6 | Bit 5 | Bit 4 | Bit 3 | Bit 2 | Bit 1 | Bit 0 |
| ALCATCK[3:0] | | | | ALCDEC[3:0] | | | |

Table 40. ALC Control 2 Register

| Bits | Bit Name | Description | |
|-------|--------------|--|--------------------|
| [7:4] | ALCATCK[3:0] | ALC attack time. The attack time sets how fast the ALC starts attenuating after an increase in input level above the target. A typical setting for music recording is 384 ms, and a typical setting for voice recording is 24 ms. | |
| | | Setting | Attack Time |
| | | 0000 | 6 ms (default) |
| | | 0001 | 12 ms |
| | | 0010 | 24 ms |
| | | 0011 | 48 ms |
| | | 0100 | 96 ms |
| | | 0101 | 192 ms |
| | | 0110 | 384 ms |
| | | 0111 | 768 ms |
| | | 1000 | 1.54 sec |
| | | 1001 | 3.07 sec |
| | | 1010 | 6.14 sec |
| | | 1011 | 12.29 sec |
| | | 1100 | 24.58 sec |
| | | 1101 | 49.15 sec |
| 1110 | 98.30 sec | | |
| 1111 | 196.61 sec | | |
| [3:0] | ALCDEC[3:0] | ALC decay time. The decay time sets how fast the ALC increases the PGA gain after a decrease in input level below the target. A typical setting for music recording is 24.58 seconds, and a typical setting for voice recording is 1.54 seconds. | |
| | | Setting | Decay Time |
| | | 0000 | 24 ms |
| | | 0001 | 48 ms |
| | | 0010 | 96 ms |
| | | 0011 | 192 ms |
| | | 0100 | 384 ms |
| | | 0101 | 768 ms |
| | | 0110 | 1.54 sec |
| | | 0111 | 3.07 sec |
| | | 1000 | 6.14 sec |
| | | 1001 | 12.29 sec |
| | | 1010 | 24.58 sec |
| | | 1011 | 49.15 sec |
| | | 1100 | 98.30 sec |
| | | 1101 | 196.61 sec |
| 1110 | 393.22 sec | | |
| 1111 | 786.43 sec | | |

R14: ALC Control 3, 16,404 (0x4014)

| Bit 7 | Bit 6 | Bit 5 | Bit 4 | Bit 3 | Bit 2 | Bit 1 | Bit 0 |
|------------|-------|-------|------------|-------|-------|-------|-------|
| NGTYP[1:0] | | NGEN | NGTHR[4:0] | | | | |

Table 41. ALC Control 3 Register

| Bits | Bit Name | Description | |
|-------|------------|--|---|
| [7:6] | NGTYP[1:0] | Noise gate type. When the input signal falls below the threshold for 250 ms, the noise gate can hold a constant PGA gain, mute the ADC output, fade the PGA gain to the minimum gain value, or fade then mute. | |
| | | Setting | Noise Gate |
| | | 00 | Hold PGA constant (default) |
| | | 01 | Mute ADC output (digital mute) |
| | | 10 | Fade to PGA minimum value (analog fade) |
| | 11 | Fade then mute (analog fade/digital mute) | |
| 5 | NGEN | Noise gate enable. 0 = disabled (default). 1 = enabled. | |
| [4:0] | NGTHR[4:0] | Noise gate threshold. When the input signal falls below the threshold for 250 ms, the noise gate is activated. A 1 LSB increase corresponds to a –1.5 dB change. See Table 72 for a complete list of the threshold settings. | |
| | | Setting | Threshold |
| | | 00000 | –76.5 dB (default) |
| | | 00001 | –75 dB |
| | | ... | ... |
| | 11110 | –31.5 dB | |
| | 11111 | –30 dB | |

R15: Serial Port Control 0, 16,405 (0x4015)

| Bit 7 | Bit 6 | Bit 5 | Bit 4 | Bit 3 | Bit 2 | Bit 1 | Bit 0 |
|--------|----------|-------|-------|-------|-----------|-------|-------|
| DITHEN | Reserved | LRMOD | BPOL | LRPOL | CHPF[1:0] | | MS |

Table 42. Serial Port Control 0 Register

| Bits | Bit Name | Description | |
|-------|-----------|---|---------------------------------|
| 7 | DITHEN | Dither enable is applicable only for 16-bit data width modes. 0 = disabled (default). 1 = enabled. | |
| 5 | LRMOD | LRCLK mode sets the LRCLK for either a 50% duty cycle or a pulse. The pulse mode should be at least 1 BCLK wide. 0 = 50% duty cycle (default). 1 = pulse mode. | |
| 4 | BPOL | BCLK polarity sets the BCLK edge that triggers a change in audio data. This can be set for the falling or rising edge of the BCLK. 0 = falling edge (default). 1 = rising edge. | |
| 3 | LRPOL | LRCLK polarity sets the LRCLK edge that triggers the beginning of the left channel audio frame. This can be set for the falling or rising edge of the LRCLK. 0 = falling edge (default). 1 = rising edge. | |
| [2:1] | CHPF[1:0] | Channels per frame sets the number of channels per LRCLK frame. | |
| | | Setting | Channels per LRCLK Frame |
| | | 00 | Stereo (default) |
| | | 01 | TDM 4 |
| | | 10 | Reserved |
| | 11 | Reserved | |
| 0 | MS | Serial data port bus mode. Both LRCLK and BCLK are master of the serial port when set in master mode and are serial port slave in slave mode. 0 = slave mode (default). 1 = master mode. | |

R16: Serial Port Control 1, 16,406 (0x4016)

| | | | | | | | |
|--------------|--------------|--------------|--------------|--------------|--------------|--------------|--------------|
| Bit 7 | Bit 6 | Bit 5 | Bit 4 | Bit 3 | Bit 2 | Bit 1 | Bit 0 |
| BPF[2:0] | | | ADTDM | DATDM | MSBP | LRDEL[1:0] | |

Table 43. Serial Port Control 1 Register

| Bits | Bit Name | Description | |
|-------------|-----------------|--|---------------------------------|
| [7:5] | BPF[2:0] | Number of bit clock cycles per LRCLK audio frame. | |
| | | Setting | Bit Clock Cycles |
| | | 000 | 64 (default) |
| | | 001 | 32 |
| | | 010 | 48 |
| | | 011 | 128 |
| | | 100 | Reserved |
| | | 101 | Reserved |
| | | 110 | Reserved |
| | 111 | Reserved | |
| 4 | ADTDM | ADC serial audio data channel position in TDM mode. 0 = left first (default). 1 = right first. | |
| 3 | DATDM | DAC serial audio data channel position in TDM mode. 0 = left first (default). 1 = right first. | |
| 2 | MSBP | MSB position in the LRCLK frame. 0 = MSB first (default). 1 = LSB first. | |
| [1:0] | LRDEL[1:0] | Data delay from LRCLK edge (in BCLK units). | |
| | | Setting | Delay (Bit Clock Cycles) |
| | | 00 | 1 (default) |
| | | 01 | 0 |
| | | 10 | 8 |
| | 11 | 16 | |

R17: Converter Control 0, 16,407 (0x4017)

| Bit 7 | Bit 6 | Bit 5 | Bit 4 | Bit 3 | Bit 2 | Bit 1 | Bit 0 |
|----------|-------------|-------|-------|-------|-------------|-------|-------|
| Reserved | DAPAIR[1:0] | | DAOSR | ADOSR | CONVSR[2:0] | | |

Table 44. Converter Control 0 Register

| Bits | Bit Name | Description | | |
|-------|-------------|---|----------------------|---|
| [6:5] | DAPAIR[1:0] | On-chip DAC serial data selection in TDM mode. | | |
| | | Setting | Pair | |
| | | 00 | First pair (default) | |
| | | 01 | Second pair | |
| | | 10 | Third pair | |
| | | 11 | Fourth pair | |
| 4 | DAOSR | DAC oversampling ratio. This bit cannot be set for 64x when CONVSR[2:0] is set to 96 kHz. 0 = 128x (default). 1 = 64x. | | |
| 3 | ADOSR | ADC oversampling ratio. This bit cannot be set for 64x when CONVSR[2:0] is set to 96 kHz. 0 = 128x (default). 1 = 64x. | | |
| [2:0] | CONVSR[2:0] | Converter sampling rate. The ADCs and DACs operate at the sampling rate set in this register. The converter rate selected is a ratio of the base sampling rate, f_s . The base sampling rate is determined by the operating frequency of the core clock. The serial port mirrors the converter sampling rates set in this register. | | |
| | | Setting | Sampling Rate | Base Sampling Rate ($f_s = 48$ kHz) |
| | | 000 | f_s | 48 kHz, base (default) |
| | | 001 | $f_s/6$ | 8 kHz |
| | | 010 | $f_s/4$ | 12 kHz |
| | | 011 | $f_s/3$ | 16 kHz |
| | | 100 | $f_s/2$ | 24 kHz |
| | | 101 | $f_s/1.5$ | 32 kHz |
| | | 110 | $f_s/0.5$ | 96 kHz |
| | | | | 111 |

R18: Converter Control 1, 16,408 (0x4018)

| Bit 7 | Bit 6 | Bit 5 | Bit 4 | Bit 3 | Bit 2 | Bit 1 | Bit 0 |
|----------|-------|-------|-------|-------|-------|-------------|-------|
| Reserved | | | | | | ADPAIR[1:0] | |

Table 45. Converter Control 1 Register

| Bits | Bit Name | Description | |
|-------|-------------|--|----------------------|
| [1:0] | ADPAIR[1:0] | On-chip ADC serial data selection in TDM mode. | |
| | | Setting | Pair |
| | | 00 | First pair (default) |
| | | 01 | Second pair |
| | | 10 | Third pair |
| | | 11 | Fourth pair |

R19: ADC Control, 16,409 (0x4019)

| Bit 7 | Bit 6 | Bit 5 | Bit 4 | Bit 3 | Bit 2 | Bit 1 | Bit 0 |
|----------|--------|-------|-------|-------|-------|------------|-------|
| Reserved | ADCPOL | HPF | DMPOL | DMSW | INSEL | ADCEN[1:0] | |

Table 46. ADC Control Register

| Bits | Bit Name | Description | | | | | | | | | | |
|---------|--------------------|---|---------|--------------|----|--------------------|----|---------|----|----------|----|---------|
| 6 | ADCPOL | Invert input polarity. 0 = normal (default). 1 = inverted. | | | | | | | | | | |
| 5 | HPF | ADC high-pass filter select. At 48 kHz, $f_{3dB} = 2$ Hz. 0 = off (default). 1 = on. | | | | | | | | | | |
| 4 | DMPOL | Digital microphone data polarity swap. 0 = invert polarity. 1 = normal (default). | | | | | | | | | | |
| 3 | DMSW | Digital microphone channel swap. Normal operation sends the left channel on the rising edge of the clock and the right channel on the falling edge of the clock. 0 = normal (default). 1 = swap left and right channels. | | | | | | | | | | |
| 2 | INSEL | Digital microphone input select. When asserted, the on-chip ADCs are off, BCLK is master at $128 \times f_s$, and ADC_SDATA is expected to have left and right channels interleaved. 0 = digital microphone inputs off, ADCs enabled (default). 1 = digital microphone inputs enabled, ADCs off. | | | | | | | | | | |
| [1:0] | ADCEN[1:0] | ADC enable. | | | | | | | | | | |
| | | <table border="1"> <thead> <tr> <th>Setting</th> <th>ADCs Enabled</th> </tr> </thead> <tbody> <tr> <td>00</td> <td>Both off (default)</td> </tr> <tr> <td>01</td> <td>Left on</td> </tr> <tr> <td>10</td> <td>Right on</td> </tr> <tr> <td>11</td> <td>Both on</td> </tr> </tbody> </table> | Setting | ADCs Enabled | 00 | Both off (default) | 01 | Left on | 10 | Right on | 11 | Both on |
| Setting | ADCs Enabled | | | | | | | | | | | |
| 00 | Both off (default) | | | | | | | | | | | |
| 01 | Left on | | | | | | | | | | | |
| 10 | Right on | | | | | | | | | | | |
| 11 | Both on | | | | | | | | | | | |

R20: Left Input Digital Volume, 16,410 (0x401A)

| Bit 7 | Bit 6 | Bit 5 | Bit 4 | Bit 3 | Bit 2 | Bit 1 | Bit 0 |
|-------------|-------|-------|-------|-------|-------|-------|-------|
| LADVOL[7:0] | | | | | | | |

Table 47. Left Input Digital Volume Register

| Bits | Bit Name | Description | | | | | | | | | | | | | | |
|----------|--------------------|---|---------|--------------------|----------|----------------|----------|-----------|----------|----------|-----|-----|----------|-----------|----------|------------|
| [7:0] | LADVOL[7:0] | Controls the digital volume attenuation for left channel inputs from either the left ADC or the left digital microphone input. Each bit corresponds to a 0.375 dB step with slewing between settings. See Table 73 for a complete list of the volume settings. | | | | | | | | | | | | | | |
| | | <table border="1"> <thead> <tr> <th>Setting</th> <th>Volume Attenuation</th> </tr> </thead> <tbody> <tr> <td>00000000</td> <td>0 dB (default)</td> </tr> <tr> <td>00000001</td> <td>-0.375 dB</td> </tr> <tr> <td>00000010</td> <td>-0.75 dB</td> </tr> <tr> <td>...</td> <td>...</td> </tr> <tr> <td>11111110</td> <td>-95.25 dB</td> </tr> <tr> <td>11111111</td> <td>-95.625 dB</td> </tr> </tbody> </table> | Setting | Volume Attenuation | 00000000 | 0 dB (default) | 00000001 | -0.375 dB | 00000010 | -0.75 dB | ... | ... | 11111110 | -95.25 dB | 11111111 | -95.625 dB |
| Setting | Volume Attenuation | | | | | | | | | | | | | | | |
| 00000000 | 0 dB (default) | | | | | | | | | | | | | | | |
| 00000001 | -0.375 dB | | | | | | | | | | | | | | | |
| 00000010 | -0.75 dB | | | | | | | | | | | | | | | |
| ... | ... | | | | | | | | | | | | | | | |
| 11111110 | -95.25 dB | | | | | | | | | | | | | | | |
| 11111111 | -95.625 dB | | | | | | | | | | | | | | | |

R21: Right Input Digital Volume, 16,411 (0x401B)

| Bit 7 | Bit 6 | Bit 5 | Bit 4 | Bit 3 | Bit 2 | Bit 1 | Bit 0 |
|-------------|-------|-------|-------|-------|-------|-------|-------|
| RADVOL[7:0] | | | | | | | |

Table 48. Right Input Digital Volume Register

| Bits | Bit Name | Description | | | | | | | | | | | | | | |
|----------|--------------------|---|---------|--------------------|----------|----------------|----------|-----------|----------|----------|-----|-----|----------|-----------|----------|------------|
| [7:0] | RADVOL[7:0] | Controls the digital volume attenuation for right channel inputs from either the right ADC or the right digital microphone input. Each bit corresponds to a 0.375 dB step with slewing between settings. See Table 73 for a complete list of the volume settings. | | | | | | | | | | | | | | |
| | | <table border="1"> <thead> <tr> <th>Setting</th> <th>Volume Attenuation</th> </tr> </thead> <tbody> <tr> <td>00000000</td> <td>0 dB (default)</td> </tr> <tr> <td>00000001</td> <td>-0.375 dB</td> </tr> <tr> <td>00000010</td> <td>-0.75 dB</td> </tr> <tr> <td>...</td> <td>...</td> </tr> <tr> <td>11111110</td> <td>-95.25 dB</td> </tr> <tr> <td>11111111</td> <td>-95.625 dB</td> </tr> </tbody> </table> | Setting | Volume Attenuation | 00000000 | 0 dB (default) | 00000001 | -0.375 dB | 00000010 | -0.75 dB | ... | ... | 11111110 | -95.25 dB | 11111111 | -95.625 dB |
| Setting | Volume Attenuation | | | | | | | | | | | | | | | |
| 00000000 | 0 dB (default) | | | | | | | | | | | | | | | |
| 00000001 | -0.375 dB | | | | | | | | | | | | | | | |
| 00000010 | -0.75 dB | | | | | | | | | | | | | | | |
| ... | ... | | | | | | | | | | | | | | | |
| 11111110 | -95.25 dB | | | | | | | | | | | | | | | |
| 11111111 | -95.625 dB | | | | | | | | | | | | | | | |

R22: Playback Mixer Left (Mixer 3) Control 0, 16,412 (0x401C)

| Bit 7 | Bit 6 | Bit 5 | Bit 4 | Bit 3 | Bit 2 | Bit 1 | Bit 0 |
|----------|-------|-------|--------------|-------|-------|-------|-------|
| Reserved | MX3RM | MX3LM | MX3AUXG[3:0] | | | | MX3EN |

Table 49. Playback Mixer Left (Mixer 3) Control 0 Register

| Bits | Bit Name | Description | | | | | | | | | | | | | | | | | | | | |
|---------|----------------|---|---------|------|------|----------------|------|--------|------|--------|------|-------|------|-------|------|-------|------|------|------|------|------|------|
| 6 | MX3RM | Mixer input mute. Mutes the right DAC input to the left channel playback mixer (Mixer 3). 0 = muted (default). 1 = unmuted. | | | | | | | | | | | | | | | | | | | | |
| 5 | MX3LM | Mixer input mute. Mutes the left DAC input to the left channel playback mixer (Mixer 3). 0 = muted (default). 1 = unmuted. | | | | | | | | | | | | | | | | | | | | |
| [4:1] | MX3AUXG[3:0] | Mixer input gain. Controls the left channel auxiliary input gain to the left channel playback mixer (Mixer 3). | | | | | | | | | | | | | | | | | | | | |
| | | <table border="1"> <thead> <tr> <th>Setting</th> <th>Gain</th> </tr> </thead> <tbody> <tr> <td>0000</td> <td>Mute (default)</td> </tr> <tr> <td>0001</td> <td>-15 dB</td> </tr> <tr> <td>0010</td> <td>-12 dB</td> </tr> <tr> <td>0011</td> <td>-9 dB</td> </tr> <tr> <td>0100</td> <td>-6 dB</td> </tr> <tr> <td>0101</td> <td>-3 dB</td> </tr> <tr> <td>0110</td> <td>0 dB</td> </tr> <tr> <td>0111</td> <td>3 dB</td> </tr> <tr> <td>1000</td> <td>6 dB</td> </tr> </tbody> </table> | Setting | Gain | 0000 | Mute (default) | 0001 | -15 dB | 0010 | -12 dB | 0011 | -9 dB | 0100 | -6 dB | 0101 | -3 dB | 0110 | 0 dB | 0111 | 3 dB | 1000 | 6 dB |
| Setting | Gain | | | | | | | | | | | | | | | | | | | | | |
| 0000 | Mute (default) | | | | | | | | | | | | | | | | | | | | | |
| 0001 | -15 dB | | | | | | | | | | | | | | | | | | | | | |
| 0010 | -12 dB | | | | | | | | | | | | | | | | | | | | | |
| 0011 | -9 dB | | | | | | | | | | | | | | | | | | | | | |
| 0100 | -6 dB | | | | | | | | | | | | | | | | | | | | | |
| 0101 | -3 dB | | | | | | | | | | | | | | | | | | | | | |
| 0110 | 0 dB | | | | | | | | | | | | | | | | | | | | | |
| 0111 | 3 dB | | | | | | | | | | | | | | | | | | | | | |
| 1000 | 6 dB | | | | | | | | | | | | | | | | | | | | | |
| 0 | MX3EN | Mixer 3 enable. 0 = disabled (default). 1 = enabled. | | | | | | | | | | | | | | | | | | | | |

R23: Playback Mixer Left (Mixer 3) Control 1, 16,413 (0x401D)

| | | | | | | | |
|------------|-------|-------|-------|------------|-------|-------|-------|
| Bit 7 | Bit 6 | Bit 5 | Bit 4 | Bit 3 | Bit 2 | Bit 1 | Bit 0 |
| MX3G2[3:0] | | | | MX3G1[3:0] | | | |

Table 50. Playback Mixer Left (Mixer 3) Control 1 Register

| Bits | Bit Name | Description | |
|-------|------------|---|----------------|
| [7:4] | MX3G2[3:0] | Bypass gain control. The signal from the right channel record mixer (Mixer 2) bypasses the converters and gain can be applied before the left playback mixer (Mixer 3). | |
| | | Setting | Gain |
| | | 0000 | Mute (default) |
| | | 0001 | -15 dB |
| | | 0010 | -12 dB |
| | | 0011 | -9 dB |
| | | 0100 | -6 dB |
| | | 0101 | -3 dB |
| | | 0110 | 0 dB |
| | | 0111 | 3 dB |
| 1000 | 6 dB | | |
| [3:0] | MX3G1[3:0] | Bypass gain control. The signal from the left channel record mixer (Mixer 1) bypasses the converters and gain can be applied before the left playback mixer (Mixer 3). | |
| | | Setting | Gain |
| | | 0000 | Mute (default) |
| | | 0001 | -15 dB |
| | | 0010 | -12 dB |
| | | 0011 | -9 dB |
| | | 0100 | -6 dB |
| | | 0101 | -3 dB |
| | | 0110 | 0 dB |
| | | 0111 | 3 dB |
| 1000 | 6 dB | | |

R24: Playback Mixer Right (Mixer 4) Control 0, 16,414 (0x401E)

| Bit 7 | Bit 6 | Bit 5 | Bit 4 | Bit 3 | Bit 2 | Bit 1 | Bit 0 |
|----------|-------|-------|--------------|-------|-------|-------|-------|
| Reserved | MX4RM | MX4LM | MX4AUXG[3:0] | | | | MX4EN |

Table 51. Playback Mixer Right (Mixer 4) Control 0 Register

| Bits | Bit Name | Description | | | | | | | | | | | | | | | | | | | | |
|---------|----------------|---|---------|------|------|----------------|------|--------|------|--------|------|-------|------|-------|------|-------|------|------|------|------|------|------|
| 6 | MX4RM | Mixer input mute. Mutes the right DAC input to the right channel playback mixer (Mixer 4). 0 = muted (default). 1 = unmuted. | | | | | | | | | | | | | | | | | | | | |
| 5 | MX4LM | Mixer input mute. Mutes the left DAC input to the right channel playback mixer (Mixer 4). 0 = muted (default). 1 = unmuted. | | | | | | | | | | | | | | | | | | | | |
| [4:1] | MX4AUXG[3:0] | Mixer input gain. Controls the right channel auxiliary input gain to the right channel playback mixer (Mixer 4). <table border="1" style="width: 100%; border-collapse: collapse;"> <thead> <tr> <th>Setting</th> <th>Gain</th> </tr> </thead> <tbody> <tr><td>0000</td><td>Mute (default)</td></tr> <tr><td>0001</td><td>-15 dB</td></tr> <tr><td>0010</td><td>-12 dB</td></tr> <tr><td>0011</td><td>-9 dB</td></tr> <tr><td>0100</td><td>-6 dB</td></tr> <tr><td>0101</td><td>-3 dB</td></tr> <tr><td>0110</td><td>0 dB</td></tr> <tr><td>0111</td><td>3 dB</td></tr> <tr><td>1000</td><td>6 dB</td></tr> </tbody> </table> | Setting | Gain | 0000 | Mute (default) | 0001 | -15 dB | 0010 | -12 dB | 0011 | -9 dB | 0100 | -6 dB | 0101 | -3 dB | 0110 | 0 dB | 0111 | 3 dB | 1000 | 6 dB |
| Setting | Gain | | | | | | | | | | | | | | | | | | | | | |
| 0000 | Mute (default) | | | | | | | | | | | | | | | | | | | | | |
| 0001 | -15 dB | | | | | | | | | | | | | | | | | | | | | |
| 0010 | -12 dB | | | | | | | | | | | | | | | | | | | | | |
| 0011 | -9 dB | | | | | | | | | | | | | | | | | | | | | |
| 0100 | -6 dB | | | | | | | | | | | | | | | | | | | | | |
| 0101 | -3 dB | | | | | | | | | | | | | | | | | | | | | |
| 0110 | 0 dB | | | | | | | | | | | | | | | | | | | | | |
| 0111 | 3 dB | | | | | | | | | | | | | | | | | | | | | |
| 1000 | 6 dB | | | | | | | | | | | | | | | | | | | | | |
| 0 | MX4EN | Mixer 4 enable. 0 = disabled (default). 1 = enabled. | | | | | | | | | | | | | | | | | | | | |

R25: Playback Mixer Right (Mixer 4) Control 1, 16,415 (0x401F)

| | | | | | | | |
|------------|-------|-------|-------|------------|-------|-------|-------|
| Bit 7 | Bit 6 | Bit 5 | Bit 4 | Bit 3 | Bit 2 | Bit 1 | Bit 0 |
| MX4G2[3:0] | | | | MX4G1[3:0] | | | |

Table 52. Playback Mixer Right (Mixer 4) Control 1 Register

| Bits | Bit Name | Description | |
|-------|------------|--|----------------|
| [7:4] | MX4G2[3:0] | Bypass gain control. The signal from the right channel record mixer (Mixer 2) bypasses the converters and gain can be applied before the right playback mixer (Mixer 4). | |
| | | Setting | Gain |
| | | 0000 | Mute (default) |
| | | 0001 | -15 dB |
| | | 0010 | -12 dB |
| | | 0011 | -9 dB |
| | | 0100 | -6 dB |
| | | 0101 | -3 dB |
| | | 0110 | 0 dB |
| | | 0111 | 3 dB |
| 1000 | 6 dB | | |
| [3:0] | MX4G1[3:0] | Bypass gain control. The signal from the left channel record mixer (Mixer 1) bypasses the converters and gain can be applied before the right playback mixer (Mixer 4). | |
| | | Setting | Gain |
| | | 0000 | Mute (default) |
| | | 0001 | -15 dB |
| | | 0010 | -12 dB |
| | | 0011 | -9 dB |
| | | 0100 | -6 dB |
| | | 0101 | -3 dB |
| | | 0110 | 0 dB |
| | | 0111 | 3 dB |
| 1000 | 6 dB | | |

R26: Playback L/R Mixer Left (Mixer 5) Line Output Control, 16,416 (0x4020)

| Bit 7 | Bit 6 | Bit 5 | Bit 4 | Bit 3 | Bit 2 | Bit 1 | Bit 0 |
|----------|-------|-------|------------|-------|------------|-------|-------|
| Reserved | | | MX5G4[1:0] | | MX5G3[1:0] | | MX5EN |

Table 53. Playback L/R Mixer Left (Mixer 5) Line Output Control Register

| Bits | Bit Name | Description | |
|-------|------------|---|--|
| [4:3] | MX5G4[1:0] | Mixer input gain boost. The signal from the right channel playback mixer (Mixer 4) can be enabled and boosted in the playback L/R mixer left (Mixer 5). | |
| | | Setting | Gain Boost |
| | | 00 | Mute (default) |
| | | 01 | 0 dB output (–6 dB gain on each of the two inputs) |
| | | 10 | 6 dB output (0 dB gain on each of the two inputs) |
| | 11 | Reserved | |
| [2:1] | MX5G3[1:0] | Mixer input gain boost. The signal from the left channel playback mixer (Mixer 3) can be enabled and boosted in the playback L/R mixer left (Mixer 5). | |
| | | Setting | Gain Boost |
| | | 00 | Mute (default) |
| | | 01 | 0 dB output (–6 dB gain on each of the two inputs) |
| | | 10 | 6 dB output (0 dB gain on each of the two inputs) |
| | 11 | Reserved | |
| 0 | MX5EN | Mixer 5 enable. 0 = disabled (default). 1 = enabled. | |

R27: Playback L/R Mixer Right (Mixer 6) Line Output Control, 16,417 (0x4021)

| Bit 7 | Bit 6 | Bit 5 | Bit 4 | Bit 3 | Bit 2 | Bit 1 | Bit 0 |
|----------|-------|-------|------------|-------|------------|-------|-------|
| Reserved | | | MX6G4[1:0] | | MX6G3[1:0] | | MX6EN |

Table 54. Playback L/R Mixer Right (Mixer 6) Line Output Control Register

| Bits | Bit Name | Description | |
|-------|------------|--|--|
| [4:3] | MX6G4[1:0] | Mixer input gain boost. The signal from the right channel playback mixer (Mixer 4) can be enabled and boosted in the playback L/R mixer right (Mixer 6). | |
| | | Setting | Gain Boost |
| | | 00 | Mute (default) |
| | | 01 | 0 dB output (–6 dB gain on each of the two inputs) |
| | | 10 | 6 dB output (0 dB gain on each of the two inputs) |
| | 11 | Reserved | |
| [2:1] | MX6G3[1:0] | Mixer input gain boost. The signal from the left channel playback mixer (Mixer 3) can be enabled and boosted in the playback L/R mixer right (Mixer 6). | |
| | | Setting | Gain Boost |
| | | 00 | Mute (default) |
| | | 01 | 0 dB output (–6 dB gain on each of the two inputs) |
| | | 10 | 6 dB output (0 dB gain on each of the two inputs) |
| | 11 | Reserved | |
| 0 | MX6EN | Mixer 6 enable. 0 = disabled (default). 1 = enabled. | |

R28: Playback L/R Mixer Mono Output (Mixer 7) Control, 16,418 (0x4022)

| Bit 7 | Bit 6 | Bit 5 | Bit 4 | Bit 3 | Bit 2 | Bit 1 | Bit 0 |
|----------|-------|-------|-------|-------|----------|-------|-------|
| Reserved | | | | | MX7[1:0] | | MX7EN |

Table 55. Playback L/R Mixer Mono Output (Mixer 7) Control Register

| Bits | Bit Name | Description | |
|-------|----------|--|--|
| [2:1] | MX7[1:0] | L/R mono playback mixer (Mixer 7). Mixes the left and right playback mixers (Mixer 3 and Mixer 4) with either a 0 dB or 6 dB gain boost. Additionally, this mixer can operate as a common-mode output, which is used as the virtual ground in a capless headphone configuration. | |
| | | Setting | Gain Boost |
| | | 00 | Common-mode output (default) |
| | | 01 | 0 dB output (–6 dB gain on each of the two inputs) |
| | | 10 | 6 dB output (0 dB gain on each of the two inputs) |
| | 11 | Reserved | |
| 0 | MX7EN | Mixer 7 enable. 0 = disabled (default). 1 = enabled. | |

R29: Playback Headphone Left Volume Control, 16,419 (0x4023)

| Bit 7 | Bit 6 | Bit 5 | Bit 4 | Bit 3 | Bit 2 | Bit 1 | Bit 0 |
|-------------|-------|-------|-------|-------|-------|-------|-------|
| LHPVOL[5:0] | | | | | | LHPM | HPEN |

Table 56. Playback Headphone Left Volume Control Register

| Bits | Bit Name | Description | |
|-------|-------------|---|------------------|
| [7:2] | LHPVOL[5:0] | Headphone volume control for left channel, LHP output. Each 1-bit step corresponds to a 1 dB increase in volume. See Table 74 for a complete list of the volume settings. | |
| | | Setting | Volume |
| | | 000000 | –57 dB (default) |
| | | ... | ... |
| | | 111001 | 0 dB |
| | ... | ... | |
| | 111111 | 6 dB | |
| 1 | LHPM | Headphone mute for left channel, LHP output (active low). 0 = mute. 1 = unmute (default). | |
| 0 | HPEN | Headphone output enable. 0 = disabled (default). 1 = enabled. | |

R30: Playback Headphone Right Volume Control, 16,420 (0x4024)

| Bit 7 | Bit 6 | Bit 5 | Bit 4 | Bit 3 | Bit 2 | Bit 1 | Bit 0 |
|-------------|-------|-------|-------|-------|-------|-------|--------|
| RHPVOL[5:0] | | | | | | RHPM | HPMODE |

Table 57. Playback Headphone Right Volume Control Register

| Bits | Bit Name | Description | | | | | | | | | | |
|---------|------------------|--|---------|--------|--------|------------------|-----|-----|--------|------|-----|-----|
| [7:2] | RHPVOL[5:0] | Headphone volume control for right channel, RHP output. Each 1-bit step corresponds to a 1 dB increase in volume. See Table 74 for a complete list of the volume settings. | | | | | | | | | | |
| | | <table border="1"> <thead> <tr> <th>Setting</th> <th>Volume</th> </tr> </thead> <tbody> <tr> <td>000000</td> <td>–57 dB (default)</td> </tr> <tr> <td>...</td> <td>...</td> </tr> <tr> <td>111001</td> <td>0 dB</td> </tr> <tr> <td>...</td> <td>...</td> </tr> <tr> <td>111111</td> <td>6 dB</td> </tr> </tbody> </table> | Setting | Volume | 000000 | –57 dB (default) | ... | ... | 111001 | 0 dB | ... | ... |
| Setting | Volume | | | | | | | | | | | |
| 000000 | –57 dB (default) | | | | | | | | | | | |
| ... | ... | | | | | | | | | | | |
| 111001 | 0 dB | | | | | | | | | | | |
| ... | ... | | | | | | | | | | | |
| 111111 | 6 dB | | | | | | | | | | | |
| 1 | RHPM | Headphone mute for right channel, RHP output (active low). 0 = mute. 1 = unmute (default). | | | | | | | | | | |
| 0 | HPMODE | RHP and LHP output mode. These pins can be configured for either line outputs or headphone outputs. 0 = line output (default). 1 = headphone output. | | | | | | | | | | |

R31: Playback Line Output Left Volume Control, 16,421 (0x4025)

| Bit 7 | Bit 6 | Bit 5 | Bit 4 | Bit 3 | Bit 2 | Bit 1 | Bit 0 |
|--------------|-------|-------|-------|-------|-------|-------|--------|
| LOUTVOL[5:0] | | | | | | LOUTM | LOMODE |

Table 58. Playback Line Output Left Volume Control Register

| Bits | Bit Name | Description | | | | | | | | | | |
|---------|------------------|--|---------|--------|--------|------------------|-----|-----|--------|------|-----|-----|
| [7:2] | LOUTVOL[5:0] | Line output volume control for left channel, LOUTN and LOUTP outputs. Each 1-bit step corresponds to a 1 dB increase in volume. See Table 74 for a complete list of the volume settings. | | | | | | | | | | |
| | | <table border="1"> <thead> <tr> <th>Setting</th> <th>Volume</th> </tr> </thead> <tbody> <tr> <td>000000</td> <td>–57 dB (default)</td> </tr> <tr> <td>...</td> <td>...</td> </tr> <tr> <td>111001</td> <td>0 dB</td> </tr> <tr> <td>...</td> <td>...</td> </tr> <tr> <td>111111</td> <td>6 dB</td> </tr> </tbody> </table> | Setting | Volume | 000000 | –57 dB (default) | ... | ... | 111001 | 0 dB | ... | ... |
| Setting | Volume | | | | | | | | | | | |
| 000000 | –57 dB (default) | | | | | | | | | | | |
| ... | ... | | | | | | | | | | | |
| 111001 | 0 dB | | | | | | | | | | | |
| ... | ... | | | | | | | | | | | |
| 111111 | 6 dB | | | | | | | | | | | |
| 1 | LOUTM | Line output mute for left channel, LOUTN and LOUTP outputs (active low). 0 = mute. 1 = unmute (default). | | | | | | | | | | |
| 0 | LOMODE | Line output mode for left channel, LOUTN and LOUTP outputs. These pins can be configured for either line outputs or headphone outputs. To drive earpiece speakers, set this bit to 1 (headphone output). 0 = line output (default). 1 = headphone output. | | | | | | | | | | |

R32: Playback Line Output Right Volume Control, 16,422 (0x4026)

| | | | | | | | |
|--------------|-------|-------|-------|-------|-------|-------|--------|
| Bit 7 | Bit 6 | Bit 5 | Bit 4 | Bit 3 | Bit 2 | Bit 1 | Bit 0 |
| ROUTVOL[5:0] | | | | | | ROUTM | ROMODE |

Table 59. Playback Line Output Right Volume Control Register

| Bits | Bit Name | Description | | | | | | | | | | |
|---------|------------------|--|---------|--------|--------|------------------|-----|-----|--------|------|-----|-----|
| [7:2] | ROUTVOL[5:0] | Line output volume control for right channel, ROUTN and ROUTP outputs. Each 1-bit step corresponds to a 1 dB increase in volume. See Table 74 for a complete list of the volume settings. | | | | | | | | | | |
| | | <table border="1"> <thead> <tr> <th>Setting</th> <th>Volume</th> </tr> </thead> <tbody> <tr> <td>000000</td> <td>-57 dB (default)</td> </tr> <tr> <td>...</td> <td>...</td> </tr> <tr> <td>111001</td> <td>0 dB</td> </tr> <tr> <td>...</td> <td>...</td> </tr> <tr> <td>111111</td> <td>6 dB</td> </tr> </tbody> </table> | Setting | Volume | 000000 | -57 dB (default) | ... | ... | 111001 | 0 dB | ... | ... |
| Setting | Volume | | | | | | | | | | | |
| 000000 | -57 dB (default) | | | | | | | | | | | |
| ... | ... | | | | | | | | | | | |
| 111001 | 0 dB | | | | | | | | | | | |
| ... | ... | | | | | | | | | | | |
| 111111 | 6 dB | | | | | | | | | | | |
| 1 | ROUTM | Line output mute for right channel, ROUTN and ROUTP outputs (active low). 0 = mute. 1 = unmute (default). | | | | | | | | | | |
| 0 | ROMODE | Line output mode for right channel, ROUTN and ROUTP outputs. These pins can be configured for either line outputs or headphone outputs. To drive earpiece speakers, set this bit to 1 (headphone output). 0 = line output (default). 1 = headphone output. | | | | | | | | | | |

R33: Playback Mono Output Control, 16,423 (0x4027)

| | | | | | | | |
|--------------|-------|-------|-------|-------|-------|-------|--------|
| Bit 7 | Bit 6 | Bit 5 | Bit 4 | Bit 3 | Bit 2 | Bit 1 | Bit 0 |
| MONOVOL[5:0] | | | | | | MONOM | MOMODE |

Table 60. Playback Mono Output Control Register

| Bits | Bit Name | Description | | | | | | | | | | |
|---------|------------------|--|---------|--------|--------|------------------|-----|-----|--------|------|-----|-----|
| [7:2] | MONOVOL[5:0] | Mono output volume control. Each 1-bit step corresponds to a 1 dB increase in volume. If MX7[1:0] in Register R28 is set for common-mode output, volume control is disabled. See Table 74 for a complete list of the volume settings. | | | | | | | | | | |
| | | <table border="1"> <thead> <tr> <th>Setting</th> <th>Volume</th> </tr> </thead> <tbody> <tr> <td>000000</td> <td>-57 dB (default)</td> </tr> <tr> <td>...</td> <td>...</td> </tr> <tr> <td>111001</td> <td>0 dB</td> </tr> <tr> <td>...</td> <td>...</td> </tr> <tr> <td>111111</td> <td>6 dB</td> </tr> </tbody> </table> | Setting | Volume | 000000 | -57 dB (default) | ... | ... | 111001 | 0 dB | ... | ... |
| Setting | Volume | | | | | | | | | | | |
| 000000 | -57 dB (default) | | | | | | | | | | | |
| ... | ... | | | | | | | | | | | |
| 111001 | 0 dB | | | | | | | | | | | |
| ... | ... | | | | | | | | | | | |
| 111111 | 6 dB | | | | | | | | | | | |
| 1 | MONOM | Mono output mute (active low). 0 = mute. 1 = unmute (default). | | | | | | | | | | |
| 0 | MOMODE | Headphone mode enable. If MX7[1:0] in Register R28 is set for common-mode output for a capless headphone configuration, this bit should be set to 1 (headphone output). 0 = line output (default). 1 = headphone output. | | | | | | | | | | |

R34: Playback Pop/Click Suppression, 16,424 (0x4028)

| Bit 7 | Bit 6 | Bit 5 | Bit 4 | Bit 3 | Bit 2 | Bit 1 | Bit 0 |
|----------|-------|-------|---------|---------|------------|-------|----------|
| Reserved | | | POPMODE | POPLESS | ASLEW[1:0] | | Reserved |

Table 61. Playback Pop/Click Suppression Register

| Bits | Bit Name | Description | | | | | | | | | | |
|---------|--------------------|---|---------|-----------|----|--------------------|----|---------|----|-------|----|-----|
| 4 | POPMODE | Pop suppression circuit power saving mode. The pop suppression circuits charge faster in normal operation; however, after they are charged, they can be put into low power operation. 0 = normal (default). 1 = low power. | | | | | | | | | | |
| 3 | POPLESS | Pop suppression disable. The pop suppression circuits are enabled by default. They can be disabled to save power; however, disabling the circuits increases the risk of pops and clicks. 0 = enabled (default). 1 = disabled. | | | | | | | | | | |
| [2:1] | ASLEW[1:0] | Analog volume slew rate for playback volume controls. | | | | | | | | | | |
| | | <table border="1"> <thead> <tr> <th>Setting</th> <th>Slew Rate</th> </tr> </thead> <tbody> <tr> <td>00</td> <td>21.25 ms (default)</td> </tr> <tr> <td>01</td> <td>42.5 ms</td> </tr> <tr> <td>10</td> <td>85 ms</td> </tr> <tr> <td>11</td> <td>Off</td> </tr> </tbody> </table> | Setting | Slew Rate | 00 | 21.25 ms (default) | 01 | 42.5 ms | 10 | 85 ms | 11 | Off |
| Setting | Slew Rate | | | | | | | | | | | |
| 00 | 21.25 ms (default) | | | | | | | | | | | |
| 01 | 42.5 ms | | | | | | | | | | | |
| 10 | 85 ms | | | | | | | | | | | |
| 11 | Off | | | | | | | | | | | |

R35: Playback Power Management, 16,425 (0x4029)

| Bit 7 | Bit 6 | Bit 5 | Bit 4 | Bit 3 | Bit 2 | Bit 1 | Bit 0 |
|-------------|-------|--------------|-------|------------|-------|-------|-------|
| HPBIAS[1:0] | | DACBIAS[1:0] | | PBIAS[1:0] | | PREN | PLEN |

Table 62. Playback Power Management Register

| Bits | Bit Name | Description | | | | | | | | | | |
|---------|----------------------------|---|---------|----------------------------|----|----------------------------|----|----------------------|----|----------------------|----|--------------|
| [7:6] | HPBIAS[1:0] | Headphone bias control. | | | | | | | | | | |
| | | <table border="1"> <thead> <tr> <th>Setting</th> <th>Headphone Bias Control</th> </tr> </thead> <tbody> <tr> <td>00</td> <td>Normal operation (default)</td> </tr> <tr> <td>01</td> <td>Extreme power saving</td> </tr> <tr> <td>10</td> <td>Enhanced performance</td> </tr> <tr> <td>11</td> <td>Power saving</td> </tr> </tbody> </table> | Setting | Headphone Bias Control | 00 | Normal operation (default) | 01 | Extreme power saving | 10 | Enhanced performance | 11 | Power saving |
| Setting | Headphone Bias Control | | | | | | | | | | | |
| 00 | Normal operation (default) | | | | | | | | | | | |
| 01 | Extreme power saving | | | | | | | | | | | |
| 10 | Enhanced performance | | | | | | | | | | | |
| 11 | Power saving | | | | | | | | | | | |
| [5:4] | DACBIAS[1:0] | DAC bias control. | | | | | | | | | | |
| | | <table border="1"> <thead> <tr> <th>Setting</th> <th>DAC Bias Control</th> </tr> </thead> <tbody> <tr> <td>00</td> <td>Normal operation (default)</td> </tr> <tr> <td>01</td> <td>Extreme power saving</td> </tr> <tr> <td>10</td> <td>Enhanced performance</td> </tr> <tr> <td>11</td> <td>Power saving</td> </tr> </tbody> </table> | Setting | DAC Bias Control | 00 | Normal operation (default) | 01 | Extreme power saving | 10 | Enhanced performance | 11 | Power saving |
| Setting | DAC Bias Control | | | | | | | | | | | |
| 00 | Normal operation (default) | | | | | | | | | | | |
| 01 | Extreme power saving | | | | | | | | | | | |
| 10 | Enhanced performance | | | | | | | | | | | |
| 11 | Power saving | | | | | | | | | | | |
| [3:2] | PBIAS[1:0] | Playback path channel bias control. | | | | | | | | | | |
| | | <table border="1"> <thead> <tr> <th>Setting</th> <th>Playback Path Bias Control</th> </tr> </thead> <tbody> <tr> <td>00</td> <td>Normal operation (default)</td> </tr> <tr> <td>01</td> <td>Reserved</td> </tr> <tr> <td>10</td> <td>Enhanced performance</td> </tr> <tr> <td>11</td> <td>Power saving</td> </tr> </tbody> </table> | Setting | Playback Path Bias Control | 00 | Normal operation (default) | 01 | Reserved | 10 | Enhanced performance | 11 | Power saving |
| Setting | Playback Path Bias Control | | | | | | | | | | | |
| 00 | Normal operation (default) | | | | | | | | | | | |
| 01 | Reserved | | | | | | | | | | | |
| 10 | Enhanced performance | | | | | | | | | | | |
| 11 | Power saving | | | | | | | | | | | |
| 1 | PREN | Playback right channel enable. 0 = disabled (default). 1 = enabled. | | | | | | | | | | |
| 0 | PLEN | Playback left channel enable. 0 = disabled (default). 1 = enabled. | | | | | | | | | | |

R36: DAC Control 0, 16,426 (0x402A)

| | | | | | | | |
|--------------|--------------|--------------|--------------|--------------|--------------|--------------|--------------|
| Bit 7 | Bit 6 | Bit 5 | Bit 4 | Bit 3 | Bit 2 | Bit 1 | Bit 0 |
| DACMONO[1:0] | | DACPOL | Reserved | | DEMPH | DACEN[1:0] | |

Table 63. DAC Control 0 Register

| Bits | Bit Name | Description | |
|-------|----------------------------|---|----------------------------|
| [7:6] | DACMONO[1:0] | DAC mono mode. The DAC channels can be set to mono mode within the DAC and output on the left channel, the right channel, or both channels. | |
| | | Setting | Mono Mode |
| | | 00 | Stereo (default) |
| | | 01 | Left channel in mono mode |
| | | 10 | Right channel in mono mode |
| 11 | Both channels in mono mode | | |
| 5 | DACPOL | Invert input polarity of the DACs. 0 = normal (default). 1 = inverted. | |
| 2 | DEMPH | DAC de-emphasis filter enable. The de-emphasis filter is designed for use with a sampling rate of 44.1 kHz only. 0 = disabled (default). 1 = enabled. | |
| [1:0] | DACEN[1:0] | DAC enable. | |
| | | Setting | DACs Enabled |
| | | 00 | Both off (default) |
| | | 01 | Left on |
| | | 10 | Right on |
| 11 | Both on | | |

R37: DAC Control 1, 16,427 (0x402B)

| | | | | | | | |
|--------------|--------------|--------------|--------------|--------------|--------------|--------------|--------------|
| Bit 7 | Bit 6 | Bit 5 | Bit 4 | Bit 3 | Bit 2 | Bit 1 | Bit 0 |
| LDAVOL[7:0] | | | | | | | |

Table 64. DAC Control 1 Register

| Bits | Bit Name | Description | |
|----------|-------------|--|---------------------------|
| [7:0] | LDAVOL[7:0] | Controls the digital volume attenuation for left channel inputs from the left DAC. Each bit corresponds to a 0.375 dB step with slewing between settings. See Table 73 for a complete list of the volume settings. | |
| | | Setting | Volume Attenuation |
| | | 00000000 | 0 dB (default) |
| | | 00000001 | -0.375 dB |
| | | 00000010 | -0.75 dB |
| | | ... | ... |
| | | 11111110 | -95.25 dB |
| 11111111 | -95.625 dB | | |

R38: DAC Control 2, 16,428 (0x402C)

| | | | | | | | |
|-------------|-------|-------|-------|-------|-------|-------|-------|
| Bit 7 | Bit 6 | Bit 5 | Bit 4 | Bit 3 | Bit 2 | Bit 1 | Bit 0 |
| RDAVOL[7:0] | | | | | | | |

Table 65. DAC Control 2 Register

| Bits | Bit Name | Description | | | | | | | | | | | | | | |
|----------|--------------------|---|---------|--------------------|----------|----------------|----------|-----------|----------|----------|-----|-----|----------|-----------|----------|------------|
| [7:0] | RDAVOL[7:0] | Controls the digital volume attenuation for right channel inputs from the right DAC. Each bit corresponds to a 0.375 dB step with slewing between settings. See Table 73 for a complete list of the volume settings. | | | | | | | | | | | | | | |
| | | <table border="1"> <thead> <tr> <th>Setting</th> <th>Volume Attenuation</th> </tr> </thead> <tbody> <tr> <td>00000000</td> <td>0 dB (default)</td> </tr> <tr> <td>00000001</td> <td>-0.375 dB</td> </tr> <tr> <td>00000010</td> <td>-0.75 dB</td> </tr> <tr> <td>...</td> <td>...</td> </tr> <tr> <td>11111110</td> <td>-95.25 dB</td> </tr> <tr> <td>11111111</td> <td>-95.625 dB</td> </tr> </tbody> </table> | Setting | Volume Attenuation | 00000000 | 0 dB (default) | 00000001 | -0.375 dB | 00000010 | -0.75 dB | ... | ... | 11111110 | -95.25 dB | 11111111 | -95.625 dB |
| Setting | Volume Attenuation | | | | | | | | | | | | | | | |
| 00000000 | 0 dB (default) | | | | | | | | | | | | | | | |
| 00000001 | -0.375 dB | | | | | | | | | | | | | | | |
| 00000010 | -0.75 dB | | | | | | | | | | | | | | | |
| ... | ... | | | | | | | | | | | | | | | |
| 11111110 | -95.25 dB | | | | | | | | | | | | | | | |
| 11111111 | -95.625 dB | | | | | | | | | | | | | | | |

R39: Serial Port Pad Control, 16,429 (0x402D)

The optional pull-up/pull-down resistors are nominally 250 kΩ. When enabled, these pull-up/pull-down resistors set the serial port signals to a defined state when the signal source becomes three-state.

| | | | | | | | |
|-------------|-------|-------------|-------|-------------|-------|------------|-------|
| Bit 7 | Bit 6 | Bit 5 | Bit 4 | Bit 3 | Bit 2 | Bit 1 | Bit 0 |
| ADCSDP[1:0] | | DACSDP[1:0] | | LRCLKP[1:0] | | BCLKP[1:0] | |

Table 66. Serial Port Pad Control Register

| Bits | Bit Name | Description | | | | | | | | | | |
|---------|----------------|--|---------|---------------|----|---------|----|----------|----|----------------|----|-----------|
| [7:6] | ADCSDP[1:0] | ADC_SDATA pad pull-up/pull-down configuration. | | | | | | | | | | |
| | | <table border="1"> <thead> <tr> <th>Setting</th> <th>Configuration</th> </tr> </thead> <tbody> <tr> <td>00</td> <td>Pull-up</td> </tr> <tr> <td>01</td> <td>Reserved</td> </tr> <tr> <td>10</td> <td>None (default)</td> </tr> <tr> <td>11</td> <td>Pull-down</td> </tr> </tbody> </table> | Setting | Configuration | 00 | Pull-up | 01 | Reserved | 10 | None (default) | 11 | Pull-down |
| Setting | Configuration | | | | | | | | | | | |
| 00 | Pull-up | | | | | | | | | | | |
| 01 | Reserved | | | | | | | | | | | |
| 10 | None (default) | | | | | | | | | | | |
| 11 | Pull-down | | | | | | | | | | | |
| [5:4] | DACSDP[1:0] | DAC_SDATA pad pull-up/pull-down configuration. | | | | | | | | | | |
| | | <table border="1"> <thead> <tr> <th>Setting</th> <th>Configuration</th> </tr> </thead> <tbody> <tr> <td>00</td> <td>Pull-up</td> </tr> <tr> <td>01</td> <td>Reserved</td> </tr> <tr> <td>10</td> <td>None (default)</td> </tr> <tr> <td>11</td> <td>Pull-down</td> </tr> </tbody> </table> | Setting | Configuration | 00 | Pull-up | 01 | Reserved | 10 | None (default) | 11 | Pull-down |
| Setting | Configuration | | | | | | | | | | | |
| 00 | Pull-up | | | | | | | | | | | |
| 01 | Reserved | | | | | | | | | | | |
| 10 | None (default) | | | | | | | | | | | |
| 11 | Pull-down | | | | | | | | | | | |
| [3:2] | LRCLKP[1:0] | LRCLK pad pull-up/pull-down configuration. | | | | | | | | | | |
| | | <table border="1"> <thead> <tr> <th>Setting</th> <th>Configuration</th> </tr> </thead> <tbody> <tr> <td>00</td> <td>Pull-up</td> </tr> <tr> <td>01</td> <td>Reserved</td> </tr> <tr> <td>10</td> <td>None (default)</td> </tr> <tr> <td>11</td> <td>Pull-down</td> </tr> </tbody> </table> | Setting | Configuration | 00 | Pull-up | 01 | Reserved | 10 | None (default) | 11 | Pull-down |
| Setting | Configuration | | | | | | | | | | | |
| 00 | Pull-up | | | | | | | | | | | |
| 01 | Reserved | | | | | | | | | | | |
| 10 | None (default) | | | | | | | | | | | |
| 11 | Pull-down | | | | | | | | | | | |
| [1:0] | BCLKP[1:0] | BCLK pad pull-up/pull-down configuration. | | | | | | | | | | |
| | | <table border="1"> <thead> <tr> <th>Setting</th> <th>Configuration</th> </tr> </thead> <tbody> <tr> <td>00</td> <td>Pull-up</td> </tr> <tr> <td>01</td> <td>Reserved</td> </tr> <tr> <td>10</td> <td>None (default)</td> </tr> <tr> <td>11</td> <td>Pull-down</td> </tr> </tbody> </table> | Setting | Configuration | 00 | Pull-up | 01 | Reserved | 10 | None (default) | 11 | Pull-down |
| Setting | Configuration | | | | | | | | | | | |
| 00 | Pull-up | | | | | | | | | | | |
| 01 | Reserved | | | | | | | | | | | |
| 10 | None (default) | | | | | | | | | | | |
| 11 | Pull-down | | | | | | | | | | | |

R40: Control Port Pad Control 0, 16,431 (0x402F)

The optional pull-up/pull-down resistors are nominally 250 kΩ. When enabled, these pull-up/pull-down resistors set the control port signals to a defined state when the signal source becomes three-state.

| | | | | | | | |
|--------------|--------------|--------------|--------------|--------------|--------------|--------------|--------------|
| Bit 7 | Bit 6 | Bit 5 | Bit 4 | Bit 3 | Bit 2 | Bit 1 | Bit 0 |
| CDATP[1:0] | | CLCHP[1:0] | | SCLP[1:0] | | SDAP[1:0] | |

Table 67. Control Port Pad Control 0 Register

| Bits | Bit Name | Description | |
|-------|------------|---|----------------------|
| [7:6] | CDATP[1:0] | CDATA pad pull-up/pull-down configuration. | |
| | | Setting | Configuration |
| | | 00 | Pull-up |
| | | 01 | Reserved |
| | | 10 | None (default) |
| [5:4] | CLCHP[1:0] | CLATCH pad pull-up/pull-down configuration. | |
| | | Setting | Configuration |
| | | 00 | Pull-up |
| | | 01 | Reserved |
| | | 10 | None (default) |
| [3:2] | SCLP[1:0] | SCL/CCLK pad pull-up/pull-down configuration. | |
| | | Setting | Configuration |
| | | 00 | Pull-up |
| | | 01 | Reserved |
| | | 10 | None (default) |
| [1:0] | SDAP[1:0] | SDA/COUT pad pull-up/pull-down configuration. | |
| | | Setting | Configuration |
| | | 00 | Pull-up |
| | | 01 | Reserved |
| | | 10 | None (default) |
| | | 11 | Pull-down |

R41: Control Port Pad Control 1, 16,432 (0x4030)

With IOVDD set to 3.3 V, the low and high drive strengths of the SDA/COUT pin are approximately 2.0 mA and 4.0 mA, respectively. With IOVDD set to 1.8 V, the low and high drive strengths are approximately 0.8 mA and 1.7 mA, respectively. The high drive strength mode may be useful for generating a stronger ACK pulse in I²C mode, if needed.

| | | | | | | | |
|--------------|--------------|--------------|--------------|--------------|--------------|--------------|--------------|
| Bit 7 | Bit 6 | Bit 5 | Bit 4 | Bit 3 | Bit 2 | Bit 1 | Bit 0 |
| Reserved | | | | | | | SDASTR |

Table 68. Control Port Pad Control 1 Register

| Bits | Bit Name | Description |
|------|----------|---|
| 0 | SDASTR | SDA/COUT pin drive strength. 0 = low (default). 1 = high. |

R42: Jack Detect Pin Control, 16,433 (0x4031)

With IOVDD set to 3.3 V, the low and high drive strengths of the JACKDET/MICIN pin are approximately 2.0 mA and 4.0 mA, respectively. With IOVDD set to 1.8 V, the low and high drive strengths are approximately 0.8 mA and 1.7 mA, respectively. The optional pull-up/pull-down resistors are nominally 250 k Ω . When enabled, these pull-up/pull-down resistors set the input signals to a defined state when the signal source becomes three-state.

| Bit 7 | Bit 6 | Bit 5 | Bit 4 | Bit 3 | Bit 2 | Bit 1 | Bit 0 |
|----------|-------|-------|----------|----------|-------|----------|-------|
| Reserved | | JDSTR | Reserved | JDP[1:0] | | Reserved | |

Table 69. Jack Detect Pin Control Register

| Bits | Bit Name | Description | | | | | | | | | | |
|---------|----------------|--|---------|---------------|----|---------|----|----------|----|----------------|----|-----------|
| 5 | JDSTR | JACKDET/MICIN pin drive strength. 0 = low (default). 1 = high. | | | | | | | | | | |
| [3:2] | JDP[1:0] | JACKDET/MICIN pad pull-up/pull-down configuration. | | | | | | | | | | |
| | | <table border="1"> <thead> <tr> <th>Setting</th> <th>Configuration</th> </tr> </thead> <tbody> <tr> <td>00</td> <td>Pull-up</td> </tr> <tr> <td>01</td> <td>Reserved</td> </tr> <tr> <td>10</td> <td>None (default)</td> </tr> <tr> <td>11</td> <td>Pull-down</td> </tr> </tbody> </table> | Setting | Configuration | 00 | Pull-up | 01 | Reserved | 10 | None (default) | 11 | Pull-down |
| Setting | Configuration | | | | | | | | | | | |
| 00 | Pull-up | | | | | | | | | | | |
| 01 | Reserved | | | | | | | | | | | |
| 10 | None (default) | | | | | | | | | | | |
| 11 | Pull-down | | | | | | | | | | | |

R67: Dejitter Control, 16,438 (0x4036)

The dejitter control register allows the size of the dejitter window to be set, and also allows all dejitter circuits in the device to be activated or bypassed. Dejitter circuits protect against duplicate samples or skipped samples due to jitter from the serial ports in slave mode. Disabling and reenabling certain subsystems in the device—that is, the ADCs, serial ports, and DACs—during operation can cause the associated dejitter circuits to fail. As a result, audio data fails to be output to the next subsystem in the device.

When the serial ports are in master mode, the dejitter circuit can be bypassed by setting the dejitter window to 0. When the serial ports are in slave mode, the dejitter circuit can be reinitialized prior to outputting audio from the device, guaranteeing that audio is output to the next subsystem in the device. Any time that audio must pass through the ADCs, serial port, or DACs, the dejitter circuit can be bypassed and reset by setting the dejitter window size to 0. In this way, the dejitter circuit can be immediately reactivated, without a wait period, by setting the dejitter window size to the default value of 3.

| Bit 7 | Bit 6 | Bit 5 | Bit 4 | Bit 3 | Bit 2 | Bit 1 | Bit 0 |
|------------|-------|-------|-------|-------|-------|-------|-------|
| DEJIT[7:0] | | | | | | | |

Table 70. Dejitter Control Register

| Bits | Bit Name | Description | | | | | | | | | | | | |
|-------------|-------------------|--|-------------|-------------------|----------|---|-----|-----|----------|-------------|-----|-----|----------|---|
| [7:0] | DEJIT[7:0] | Dejitter window size. | | | | | | | | | | | | |
| | | <table border="1"> <thead> <tr> <th>Window Size</th> <th>Core Clock Cycles</th> </tr> </thead> <tbody> <tr> <td>00000000</td> <td>0</td> </tr> <tr> <td>...</td> <td>...</td> </tr> <tr> <td>00000011</td> <td>3 (default)</td> </tr> <tr> <td>...</td> <td>...</td> </tr> <tr> <td>00000101</td> <td>5</td> </tr> </tbody> </table> | Window Size | Core Clock Cycles | 00000000 | 0 | ... | ... | 00000011 | 3 (default) | ... | ... | 00000101 | 5 |
| Window Size | Core Clock Cycles | | | | | | | | | | | | | |
| 00000000 | 0 | | | | | | | | | | | | | |
| ... | ... | | | | | | | | | | | | | |
| 00000011 | 3 (default) | | | | | | | | | | | | | |
| ... | ... | | | | | | | | | | | | | |
| 00000101 | 5 | | | | | | | | | | | | | |

Table 71. R8 and R9 Volume Settings

| Binary Value | Volume Setting (dB) |
|--------------|---------------------|
| 000000 | -12 |
| 000001 | -11.25 |
| 000010 | -10.5 |
| 000011 | -9.75 |
| 000100 | -9 |
| 000101 | -8.25 |
| 000110 | -7.5 |
| 000111 | -6.75 |
| 001000 | -6 |
| 001001 | -5.25 |
| 001010 | -4.5 |
| 001011 | -3.75 |
| 001100 | -3 |
| 001101 | -2.25 |
| 001110 | -1.5 |
| 001111 | -0.75 |
| 010000 | 0 |
| 010001 | 0.75 |
| 010010 | 1.5 |
| 010011 | 2.25 |
| 010100 | 3 |
| 010101 | 3.75 |
| 010110 | 4.5 |
| 010111 | 5.25 |
| 011000 | 6 |
| 011001 | 6.75 |
| 011010 | 7.5 |
| 011011 | 8.25 |
| 011100 | 9 |
| 011101 | 9.75 |
| 011110 | 10.5 |
| 011111 | 11.25 |
| 100000 | 12 |
| 100001 | 12.75 |
| 100010 | 13.5 |
| 100011 | 14.25 |
| 100100 | 15 |
| 100101 | 15.75 |
| 100110 | 16.5 |
| 100111 | 17.25 |
| 101000 | 18 |
| 101001 | 18.75 |
| 101010 | 19.5 |
| 101011 | 20.25 |
| 101100 | 21 |
| 101101 | 21.75 |
| 101110 | 22.5 |
| 101111 | 23.25 |
| 110000 | 24 |
| 110001 | 24.75 |
| 110010 | 25.5 |

| Binary Value | Volume Setting (dB) |
|--------------|---------------------|
| 110011 | 26.25 |
| 110100 | 27 |
| 110101 | 27.75 |
| 110110 | 28.5 |
| 110111 | 29.25 |
| 111000 | 30 |
| 111001 | 30.75 |
| 111010 | 31.5 |
| 111011 | 32.25 |
| 111100 | 33 |
| 111101 | 33.75 |
| 111110 | 34.5 |
| 111111 | 35.25 |

Table 72. R14 Noise Gate Threshold

| Binary Value | Noise Gate Threshold (dB) |
|--------------|---------------------------|
| 00000 | -76.5 |
| 00001 | -75 |
| 00010 | -73.5 |
| 00011 | -72 |
| 00100 | -70.5 |
| 00101 | -69 |
| 00110 | -67.5 |
| 00111 | -66 |
| 01000 | -64.5 |
| 01001 | -63 |
| 01010 | -61.5 |
| 01011 | -60 |
| 01100 | -58.5 |
| 01101 | -57 |
| 01110 | -55.5 |
| 01111 | -54 |
| 10000 | -52.5 |
| 10001 | -51 |
| 10010 | -49.5 |
| 10011 | -48 |
| 10100 | -46.5 |
| 10101 | -45 |
| 10110 | -43.5 |
| 10111 | -42 |
| 11000 | -40.5 |
| 11001 | -39 |
| 11010 | -37.5 |
| 11011 | -36 |
| 11100 | -34.5 |
| 11101 | -33 |
| 11110 | -31.5 |
| 11111 | -30 |

Table 73. R20, R21, R37, and R38 Volume Settings

| Binary Value | Volume Attenuation (dB) | Binary Value | Volume Attenuation (dB) |
|--------------|-------------------------|--------------|-------------------------|
| 00000000 | 0 | 00110000 | -18 |
| 00000001 | -0.375 | 00110001 | -18.375 |
| 00000010 | -0.75 | 00110010 | -18.75 |
| 00000011 | -1.125 | 00110011 | -19.125 |
| 00000100 | -1.5 | 00110100 | -19.5 |
| 00000101 | -1.875 | 00110101 | -19.875 |
| 00000110 | -2.25 | 00110110 | -20.25 |
| 00000111 | -2.625 | 00110111 | -20.625 |
| 00001000 | -3 | 00111000 | -21 |
| 00001001 | -3.375 | 00111001 | -21.375 |
| 00001010 | -3.75 | 00111010 | -21.75 |
| 00001011 | -4.125 | 00111011 | -22.125 |
| 00001100 | -4.5 | 00111100 | -22.5 |
| 00001101 | -4.875 | 00111101 | -22.875 |
| 00001110 | -5.25 | 00111110 | -23.25 |
| 00001111 | -5.625 | 00111111 | -23.625 |
| 00010000 | -6 | 01000000 | -24 |
| 00010001 | -6.375 | 01000001 | -24.375 |
| 00010010 | -6.75 | 01000010 | -24.75 |
| 00010011 | -7.125 | 01000011 | -25.125 |
| 00010100 | -7.5 | 01000100 | -25.5 |
| 00010101 | -7.875 | 01000101 | -25.875 |
| 00010110 | -8.25 | 01000110 | -26.25 |
| 00010111 | -8.625 | 01000111 | -26.625 |
| 00011000 | -9 | 01001000 | -27 |
| 00011001 | -9.375 | 01001001 | -27.375 |
| 00011010 | -9.75 | 01001010 | -27.75 |
| 00011011 | -10.125 | 01001011 | -28.125 |
| 00011100 | -10.5 | 01001100 | -28.5 |
| 00011101 | -10.875 | 01001101 | -28.875 |
| 00011110 | -11.25 | 01001110 | -29.25 |
| 00011111 | -11.625 | 01001111 | -29.625 |
| 00100000 | -12 | 01010000 | -30 |
| 00100001 | -12.375 | 01010001 | -30.375 |
| 00100010 | -12.75 | 01010010 | -30.75 |
| 00100011 | -13.125 | 01010011 | -31.125 |
| 00100100 | -13.5 | 01010100 | -31.5 |
| 00100101 | -13.875 | 01010101 | -31.875 |
| 00100110 | -14.25 | 01010110 | -32.25 |
| 00100111 | -14.625 | 01010111 | -32.625 |
| 00101000 | -15 | 01011000 | -33 |
| 00101001 | -15.375 | 01011001 | -33.375 |
| 00101010 | -15.75 | 01011010 | -33.75 |
| 00101011 | -16.125 | 01011011 | -34.125 |
| 00101100 | -16.5 | 01011100 | -34.5 |
| 00101101 | -16.875 | 01011101 | -34.875 |
| 00101110 | -17.25 | 01011110 | -35.25 |
| 00101111 | -17.625 | 01011111 | -35.625 |

| Binary Value | Volume Attenuation (dB) |
|---------------------|--------------------------------|
| 01100000 | -36 |
| 01100001 | -36.375 |
| 01100010 | -36.75 |
| 01100011 | -37.125 |
| 01100100 | -37.5 |
| 01100101 | -37.875 |
| 01100110 | -38.25 |
| 01100111 | -38.625 |
| 01101000 | -39 |
| 01101001 | -39.375 |
| 01101010 | -39.75 |
| 01101011 | -40.125 |
| 01101100 | -40.5 |
| 01101101 | -40.875 |
| 01101110 | -41.25 |
| 01101111 | -41.625 |
| 01110000 | -42 |
| 01110001 | -42.375 |
| 01110010 | -42.75 |
| 01110011 | -43.125 |
| 01110100 | -43.5 |
| 01110101 | -43.875 |
| 01110110 | -44.25 |
| 01110111 | -44.625 |
| 01111000 | -45 |
| 01111001 | -45.375 |
| 01111010 | -45.75 |
| 01111011 | -46.125 |
| 01111100 | -46.5 |
| 01111101 | -46.875 |
| 01111110 | -47.25 |
| 01111111 | -47.625 |
| 10000000 | -48 |
| 10000001 | -48.375 |
| 10000010 | -48.75 |
| 10000011 | -49.125 |
| 10000100 | -49.5 |
| 10000101 | -49.875 |
| 10000110 | -50.25 |
| 10000111 | -50.625 |
| 10001000 | -51 |
| 10001001 | -51.375 |
| 10001010 | -51.75 |
| 10001011 | -52.125 |
| 10001100 | -52.5 |
| 10001101 | -52.875 |
| 10001110 | -53.25 |
| 10001111 | -53.625 |
| 10010000 | -54 |

| Binary Value | Volume Attenuation (dB) |
|---------------------|--------------------------------|
| 10010001 | -54.375 |
| 10010010 | -54.75 |
| 10010011 | -55.125 |
| 10010100 | -55.5 |
| 10010101 | -55.875 |
| 10010110 | -56.25 |
| 10010111 | -56.625 |
| 10011000 | -57 |
| 10011001 | -57.375 |
| 10011010 | -57.75 |
| 10011011 | -58.125 |
| 10011100 | -58.5 |
| 10011101 | -58.875 |
| 10011110 | -59.25 |
| 10011111 | -59.625 |
| 10100000 | -60 |
| 10100001 | -60.375 |
| 10100010 | -60.75 |
| 10100011 | -61.125 |
| 10100100 | -61.5 |
| 10100101 | -61.875 |
| 10100110 | -62.25 |
| 10100111 | -62.625 |
| 10101000 | -63 |
| 10101001 | -63.375 |
| 10101010 | -63.75 |
| 10101011 | -64.125 |
| 10101100 | -64.5 |
| 10101101 | -64.875 |
| 10101110 | -65.25 |
| 10101111 | -65.625 |
| 10110000 | -66 |
| 10110001 | -66.375 |
| 10110010 | -66.75 |
| 10110011 | -67.125 |
| 10110100 | -67.5 |
| 10110101 | -67.875 |
| 10110110 | -68.25 |
| 10110111 | -68.625 |
| 10111000 | -69 |
| 10111001 | -69.375 |
| 10111010 | -69.75 |
| 10111011 | -70.125 |
| 10111100 | -70.5 |
| 10111101 | -70.875 |
| 10111110 | -71.25 |
| 10111111 | -71.625 |
| 11000000 | -72 |
| 11000001 | -72.375 |

| Binary Value | Volume Attenuation (dB) |
|--------------|-------------------------|
| 11000010 | -72.75 |
| 11000011 | -73.125 |
| 11000100 | -73.5 |
| 11000101 | -73.875 |
| 11000110 | -74.25 |
| 11000111 | -74.625 |
| 11001000 | -75 |
| 11001001 | -75.375 |
| 11001010 | -75.75 |
| 11001011 | -76.125 |
| 11001100 | -76.5 |
| 11001101 | -76.875 |
| 11001110 | -77.25 |
| 11001111 | -77.625 |
| 11010000 | -78 |
| 11010001 | -78.375 |
| 11010010 | -78.75 |
| 11010011 | -79.125 |
| 11010100 | -79.5 |
| 11010101 | -79.875 |
| 11010110 | -80.25 |
| 11010111 | -80.625 |
| 11011000 | -81 |
| 11011001 | -81.375 |
| 11011010 | -81.75 |
| 11011011 | -82.125 |
| 11011100 | -82.5 |
| 11011101 | -82.875 |
| 11011110 | -83.25 |
| 11011111 | -83.625 |
| 11100000 | -84 |
| 11100001 | -84.375 |
| 11100010 | -84.75 |
| 11100011 | -85.125 |
| 11100100 | -85.5 |
| 11100101 | -85.875 |
| 11100110 | -86.25 |
| 11100111 | -86.625 |
| 11101000 | -87 |
| 11101001 | -87.375 |
| 11101010 | -87.75 |
| 11101011 | -88.125 |
| 11101100 | -88.5 |
| 11101101 | -88.875 |
| 11101110 | -89.25 |
| 11101111 | -89.625 |
| 11110000 | -90 |
| 11110001 | -90.375 |
| 11110010 | -90.75 |

| Binary Value | Volume Attenuation (dB) |
|--------------|-------------------------|
| 11110011 | -91.125 |
| 11110100 | -91.5 |
| 11110101 | -91.875 |
| 11110110 | -92.25 |
| 11110111 | -92.625 |
| 11111000 | -93 |
| 11111001 | -93.375 |
| 11111010 | -93.75 |
| 11111011 | -94.125 |
| 11111100 | -94.5 |
| 11111101 | -94.875 |
| 11111110 | -95.25 |
| 11111111 | -95.625 |

Table 74. R29 through R33 Volume Settings

| Binary Value | Volume Setting (dB) |
|--------------|---------------------|
| 000000 | -57 |
| 000001 | -56 |
| 000010 | -55 |
| 000011 | -54 |
| 000100 | -53 |
| 000101 | -52 |
| 000110 | -51 |
| 000111 | -50 |
| 001000 | -49 |
| 001001 | -48 |
| 001010 | -47 |
| 001011 | -46 |
| 001100 | -45 |
| 001101 | -44 |
| 001110 | -43 |
| 001111 | -42 |
| 010000 | -41 |
| 010001 | -40 |
| 010010 | -39 |
| 010011 | -38 |
| 010100 | -37 |
| 010101 | -36 |
| 010110 | -35 |
| 010111 | -34 |
| 011000 | -33 |
| 011001 | -32 |
| 011010 | -31 |
| 011011 | -30 |
| 011100 | -29 |
| 011101 | -28 |
| 011110 | -27 |
| 011111 | -26 |
| 100000 | -25 |

| Binary Value | Volume Setting (dB) |
|---------------------|----------------------------|
| 100001 | -24 |
| 100010 | -23 |
| 100011 | -22 |
| 100100 | -21 |
| 100101 | -20 |
| 100110 | -19 |
| 100111 | -18 |
| 101000 | -17 |
| 101001 | -16 |
| 101010 | -15 |
| 101011 | -14 |
| 101100 | -13 |
| 101101 | -12 |
| 101110 | -11 |
| 101111 | -10 |
| 110000 | -9 |
| 110001 | -8 |
| 110010 | -7 |
| 110011 | -6 |
| 110100 | -5 |
| 110101 | -4 |
| 110110 | -3 |
| 110111 | -2 |
| 111000 | -1 |
| 111001 | 0 |
| 111010 | 1 |
| 111011 | 2 |
| 111100 | 3 |
| 111101 | 4 |
| 111110 | 5 |
| 111111 | 6 |

OUTLINE DIMENSIONS



Figure 66. 32-Lead Lead Frame Chip Scale Package [LFCSP_VQ]
 5 mm × 5 mm Body, Very Thin Quad
 (CP-32-4)
 Dimensions shown in millimeters

ORDERING GUIDE

| Model ¹ | Temperature Range | Package Description | Package Option |
|--------------------|-------------------|---|----------------|
| ADAU1361BCPZ | -40°C to +85°C | 32-Lead Lead Frame Chip Scale Package [LFCSP_VQ] | CP-32-4 |
| ADAU1361BCPZ-R7 | -40°C to +85°C | 32-Lead Lead Frame Chip Scale Package [LFCSP_VQ], 7" Tape and Reel | CP-32-4 |
| ADAU1361BCPZ-RL | -40°C to +85°C | 32-Lead Lead Frame Chip Scale Package [LFCSP_VQ], 13" Tape and Reel | CP-32-4 |
| EVAL-ADAU1361Z | | Evaluation Board | |

¹ Z = RoHS Compliant Part.

NOTES

Данный компонент на территории Российской Федерации

Вы можете приобрести в компании MosChip.

Для оперативного оформления запроса Вам необходимо перейти по данной ссылке:

<http://moschip.ru/get-element>

Вы можете разместить у нас заказ для любого Вашего проекта, будь то серийное производство или разработка единичного прибора.

В нашем ассортименте представлены ведущие мировые производители активных и пассивных электронных компонентов.

Нашей специализацией является поставка электронной компонентной базы двойного назначения, продукции таких производителей как XILINX, Intel (ex.ALTERA), Vicor, Microchip, Texas Instruments, Analog Devices, Mini-Circuits, Amphenol, Glenair.

Сотрудничество с глобальными дистрибьюторами электронных компонентов, предоставляет возможность заказывать и получать с международных складов практически любой перечень компонентов в оптимальные для Вас сроки.

На всех этапах разработки и производства наши партнеры могут получить квалифицированную поддержку опытных инженеров.

Система менеджмента качества компании отвечает требованиям в соответствии с ГОСТ Р ИСО 9001, ГОСТ РВ 0015-002 и ЭС РД 009

Офис по работе с юридическими лицами:

105318, г.Москва, ул.Щербаковская д.3, офис 1107, 1118, ДЦ «Щербаковский»

Телефон: +7 495 668-12-70 (многоканальный)

Факс: +7 495 668-12-70 (доб.304)

E-mail: info@moschip.ru

Skype отдела продаж:

moschip.ru

moschip.ru_4

moschip.ru_6

moschip.ru_9