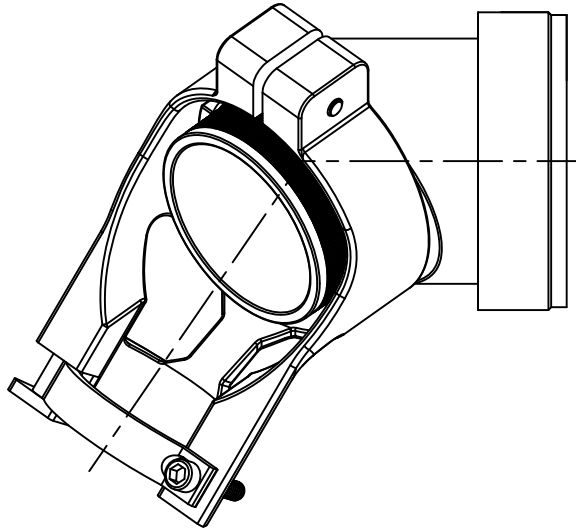


THIS DRAWING AND THE INFORMATION SET FORTH HEREON ARE THE PROPERTY OF TYCO ELECTRONICS AND ARE TO BE HELD IN TRUST AND CONFIDENCE. PUBLICATION, DUPLICATION, DISCLOSURE, OR USE FOR ANY PURPOSE NOT EXPRESSLY AUTHORIZED IN WRITING BY TYCO ELECTRONICS IS PROHIBITED.

REVISIONS

LTR	DESCRIPTION	DATE	APPROVED
A	RELEASED PER ECO-11-025206	12/16/11	B. WONG



SPIN-LOCK ADAPTER, SADDLE CLAMP


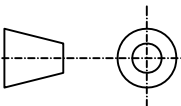
NOTES:

- THIS PRODUCT IS DESIGNED TO TERMINATE A BRAIDED CABLE SHIELD TO A CONNECTOR AND PROVIDE STRAIN RELIEF.
- SEE DRAWING "TR" FOR DETAIL ON TINEL-LOCK RING. RINGS ARE DESIGNED TO BE HEATED ELECTRICALLY. ALL RINGS ARE MARKED WITH THERMOCHROMIC PAINT WHICH CHANGES COLOR WHEN INSTALLATION TEMPERATURE IS REACHED.
- ADAPTER TO BE PERMANENTLY MARKED WITH CODE IDENT. NO. AND PART NO. LESS RING DESIGNATOR (E.G.: 06090-XXXXXXX-XXXXX).
- ADAPTER MATES TO MIL-C-81703, SERIES III, MS3424, MS3446, MS3464, MS3467, MS3468, CLASS E AND L.
- ADAPTER MATES TO MIL-C-5015G, MS3400 SERIES, CLASS D, E, K, L, U & W; MS3400 MS3401, MS3404, MS3406, MS3450, MS3451, MS3454, MS3456, MS3470, MS3471, MS3472, MS3474, MS3475, MS3476. MIL-C-83723, SERIES II, CLASS A & L. MIL-C-83723, /14, /36, /37, /38, /39, /40, /41, /42, /43, /48, /49, /65, /66, /67, /68, /69, /70, /71, /72, /73, /74, /75, /76, /77, /78, /82, /83, /84, /85, /86, /87, /91, /92, /95, /97, /98, (MS3155 CONTROLLED INTERFACE).
- INSTALLATION PROCEDURE MIP-103.
- PERFORMANCE SPECIFICATION MPS-103.
- FOR ADDITIONAL ORDERING INFORMATION SEE CH00-0250-019.

If this document is printed it becomes uncontrolled. Check for the latest revision

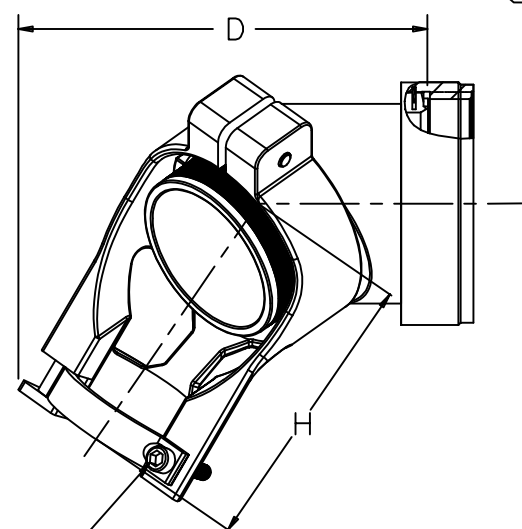
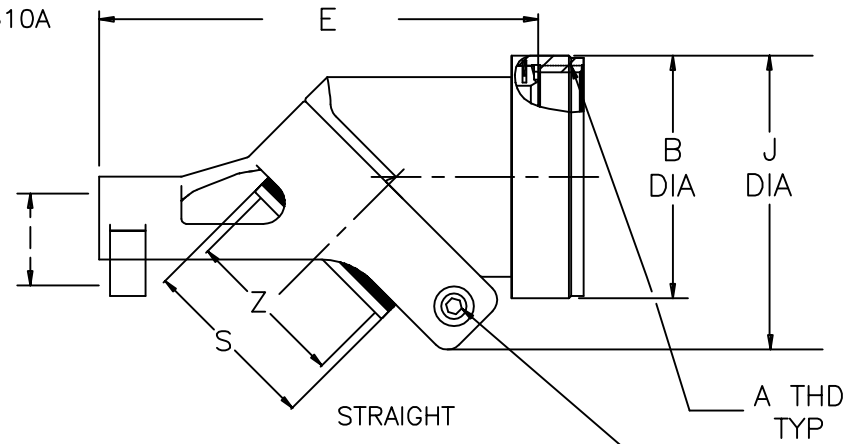
Raychem Adapters
CUSTOMER DRAWING

2011 Tyco Electronics Corporation. All rights reserved.

UNLESS OTHERWISE SPECIFIED DIMENSIONS ARE IN INCHES AND TOLERANCES ARE: .XXX ± — .XX ± — ± —	DRAWN D JAIN	DATE 8AUG2011		TITLE SPIN-LOCK ADAPTER CODE 54		
	CHECKED BERT W	DATE 8AUG2011				TE Connectivity
	APPROVED	DATE				
MATERIAL SEE NOTES	THIRD ANGLE PROJECTION 		SIZE A	CAGE CODE: 06090	DWG. NO. SLC54	REV A
FINISH —	CAD NAME SLC54_a.dwg	RPN: —	SCALE: NONE	SHEET 1 OF 3		

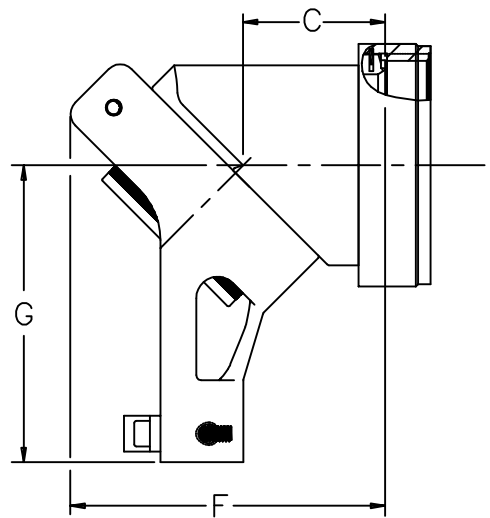
REVISIONS			
LTR	DESCRIPTION	DATE	APPROVED
A	RELEASED PER ECO-11-025206	12/16/11	B. WONG

e.g SLC 54AB - 1610A



CLAMP SCREW
SEE TABLE ON SHEET 3
FOR DETAILS

AT 45 DEGREE



AT 90 DEGREE

If this document is printed it becomes uncontrolled. Check for the latest revision

Raychem Adapters
CUSTOMER DRAWING

SIZE A	CAGE CODE: 06090	DWG. NO. SLC54	REV A
SCALE: NONE		SHEET 2 OF 3	

REVISIONS			
LTR	DESCRIPTION	DATE	APPROVED
A	RELEASED PER ECO-11-025206	12/16/11	B. WONG

TABLE I

ORDER NO.	SHELL SIZE		AVAILABLE ENTRY SIZES		A METRIC THD CLASS 6H	B DIA MAX	C MAX DIM	D MAX DIM	E MAX DIM	F MAX DIM	CLAMP SCREW
	4	5	SMALL	LARGE							
08		8 & 8S	04	-	.500"-20 UNF	.610	.61 [15.49]	1.61 [40.89]	1.73 [43.94]	1.23 [31.24]	1-64 UNC
10		10, 10S & 10SL	04	06	.625"-24 UNEF	.728	.55 [13.97]	1.62 [41.14]	1.79 [45.46]	1.24 [31.49]	1-64 UNC
12	7	12 & 12S	06	08	.750"-20 UNEF	.856	.73 [18.54]	1.80 [45.72]	2.03 [51.46]	1.42 [36.06]	1-64 UNC
14	12	14 & 14S	08	10	.875"-20 UNEF	.964	.97 [24.63]	2.10 [53.34]	2.34 [59.43]	1.77 [44.95]	5-40 UNC
16	19	16 & 16S	10	12	1.000"-20 UNEF	1.082	1.04 [26.41]	2.20 [55.88]	2.50 [63.5]	1.92 [48.76]	5-40 UNC
18	27	18	10	14	1.062"-18 UNEF	1.161	.85 [21.59]	2.30 [58.42]	2.49 [63.24]	1.80 [45.72]	5-40 UNC
20	37	20	12	16	1.188"-18 UNEF	1.338	1.16 [29.46]	2.50 [63.5]	2.83 [71.88]	2.16 [54.86]	5-40 UNC
22		22	14	18	1.312"-18 UNEF	1.466	1.14 [28.95]	2.60 [66.04]	3.09 [78.48]	2.19 [55.62]	5-40 UNC
24		24	16	20	1.438"-18 UNEF	1.592	1.13 [28.70]	2.80 [71.12]	3.08 [78.23]	2.23 [56.64]	5-40 UNC

TABLE II

ORDER NO.	G MAX DIM	H MAX DIM	I MAX DIM	J MAX DIM
08	1.12 [28.44]	1.05 [26.67]	.34 [8.63]	0.929 [23.59]
10	1.24 [31.49]	1.10 [27.94]	.32 [8.12]	0.992 [25.19]
12	1.30 [33.02]	1.20 [30.48]	.38 [9.65]	1.108 [28.14]
14	1.37 [34.79]	1.15 [29.21]	.48 [12.19]	1.274 [32.35]
16	1.46 [37.08]	1.20 [30.48]	.56 [14.22]	1.505 [38.22]
18	1.64 [41.65]	1.15 [29.21]	.50 [12.7]	1.622 [41.19]
20	1.67 [42.41]	1.20 [30.48]	.59 [14.98]	1.671 [42.44]
22	1.95 [49.53]	1.20 [30.48]	.59 [14.98]	1.810 [45.97]
24	1.95 [49.53]	1.20 [30.48]	.64 [16.25]	1.905 [48.38]

TABLE III

MAX ENTRY SIZE TYPE I	S DIA	Z +.010 -.020
04	.376 [9.55] .370 [9.40]	.250 [6.35]
06	.501 [12.73] .495 [12.57]	.375 [9.53]
08	.626 [15.90] .619 [15.72]	.500 [12.70]
10	.752 [19.10] .742 [18.85]	.625 [15.88]
12	.877 [22.28] .867 [22.02]	.750 [19.05]
14	1.002 [25.45] .991 [25.17]	.875 [22.23]
16	1.127 [28.63] 1.116 [28.35]	1.000 [25.40]
18	1.252 [31.80] 1.241 [31.52]	1.125 [28.58]
20	1.377 [34.98] 1.366 [34.70]	1.250 [31.75]

If this document is printed it becomes uncontrolled. Check for the latest revision

Raychem Adapters

CUSTOMER DRAWING

SIZE A	CAGE CODE: 06090	DWG. NO. SLC54	REV A
SCALE: NONE		SHEET 3 OF 3	

Данный компонент на территории Российской Федерации

Вы можете приобрести в компании MosChip.

Для оперативного оформления запроса Вам необходимо перейти по данной ссылке:

<http://moschip.ru/get-element>

Вы можете разместить у нас заказ для любого Вашего проекта, будь то серийное производство или разработка единичного прибора.

В нашем ассортименте представлены ведущие мировые производители активных и пассивных электронных компонентов.

Нашей специализацией является поставка электронной компонентной базы двойного назначения, продукции таких производителей как XILINX, Intel (ex.ALTERA), Vicor, Microchip, Texas Instruments, Analog Devices, Mini-Circuits, Amphenol, Glenair.

Сотрудничество с глобальными дистрибьюторами электронных компонентов, предоставляет возможность заказывать и получать с международных складов практически любой перечень компонентов в оптимальные для Вас сроки.

На всех этапах разработки и производства наши партнеры могут получить квалифицированную поддержку опытных инженеров.

Система менеджмента качества компании отвечает требованиям в соответствии с ГОСТ Р ИСО 9001, ГОСТ РВ 0015-002 и ЭС РД 009

Офис по работе с юридическими лицами:

105318, г.Москва, ул.Щербаковская д.3, офис 1107, 1118, ДЦ «Щербаковский»

Телефон: +7 495 668-12-70 (многоканальный)

Факс: +7 495 668-12-70 (доб.304)

E-mail: info@moschip.ru

Skype отдела продаж:

moschip.ru

moschip.ru_4

moschip.ru_6

moschip.ru_9