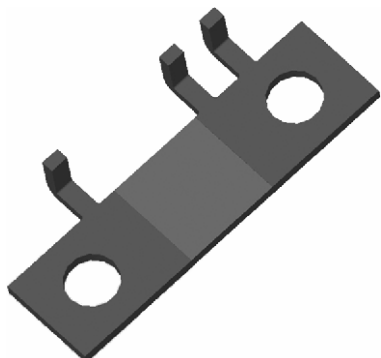


Power Metal Strip[®] Meter Shunt Resistor, Very Low Value (down to 0.0001 Ω)



FEATURES

- High power to resistor size ratio
- 5-terminal connection design
- Use for single or multi-phase energy meters
- Proprietary processing technique produces extremely low resistance values
- All welded construction
- Very low inductance (< 5 nH)
- Low thermal EMF (< 3 μV/°C)
- Compliant to RoHS directive 2002/95/EC



RoHS
COMPLIANT
GREEN
(S-2009)**

| STANDARD ELECTRICAL SPECIFICATIONS | | | | | | |
|------------------------------------|------|-----------------------------------------------|----------------|-----------------------------|-----------------------------------------------------------|-----------------------------------|
| GLOBAL MODEL | SIZE | POWER RATING $P_{70^{\circ}\text{C}}$ W | TOLERANCE % | RESISTANCE VALUE RANGE Ω | RESISTANCE VALUES CURRENTLY AVAILABLE ⁽¹⁾ Ω | WEIGHT (typical) g/1000 pieces |
| WSMS2908 | 2908 | 3.0 | 5.0 | 50μ to 1000μ | 100μ, 250μ, 300μ, 430μ, 500μ | 2100 |

Note

⁽¹⁾ Other values may be available, contact factory

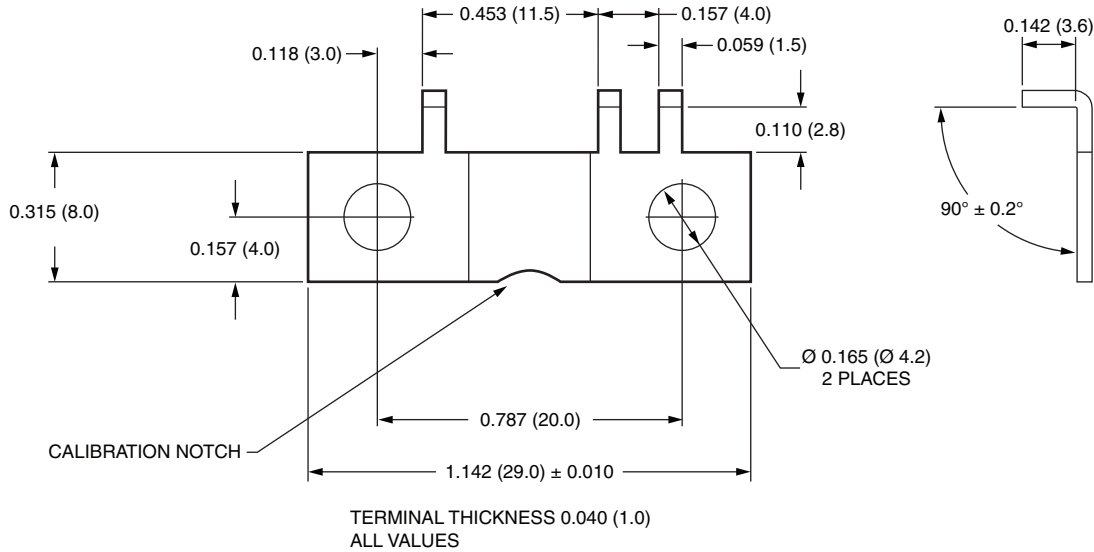
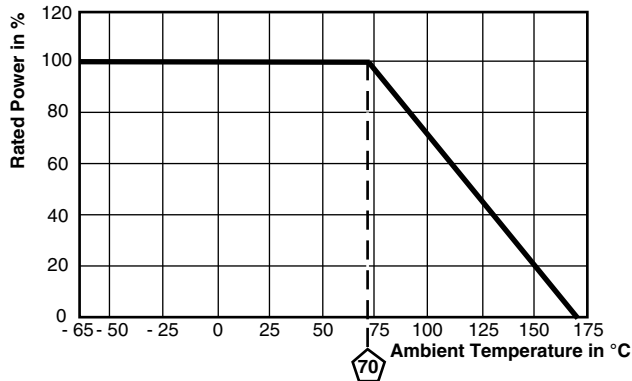
| TECHNICAL SPECIFICATIONS | | |
|-----------------------------|--------|-----------------------------------------------------------------------------|
| PARAMETER | UNIT | RESISTOR CHARACTERISTICS |
| Temperature Coefficient | ppm/°C | ± 500 for 100 μΩ, ± 225 for 250 μΩ, ± 175 for 300 μΩ, 430 μΩ, and 500 μΩ |
| Operating Temperature Range | °C | - 65 to + 170 |
| Maximum Current Rating | A | $(P/R)^{1/2}$ |

| GLOBAL PART NUMBER INFORMATION | | | | | | | | | | | | | | | | |
|---------------------------------------------------------------------|---|-------------------------------------------------------------------------------------------------------------------------------------|---|---|---|-------------------------------|---|------------------------------------------------------|---|---|----------------------------------------------------------------------------|---|---|---|--|--|
| GLOBAL PART NUMBERING: WSMS2908L2500JK (WSMS2908, 0.00025 Ω, ± 5 %) | | | | | | | | | | | | | | | | |
| W | S | M | S | 2 | 9 | 0 | 8 | L | 2 | 5 | 0 | 0 | J | K | | |
| GLOBAL MODEL WSMS2908 | | RESISTANCE VALUE L = mΩ L1000 = 0.00010 Ω L2500 = 0.00025 Ω L3000 = 0.00030 Ω L4300 = 0.00043 Ω L5000 = 0.00050 Ω | | | | TOLERANCE CODE J = ± 5.0 % | | PACKAGING CODE K = Bulk pack E = Tape and reel | | | SPECIAL (Dash number) (Up to 2 digits) From 1 to 99 as applicable | | | | | |

** Please see document “Vishay Material Category Policy”: www.vishay.com/doc?99902

**Power Metal Strip® Meter Shunt Resistor,
Very Low Value (down to 0.0001 Ω)**

Vishay Dale

DIMENSIONS in inches (millimeters)

DERATING

 TOLERANCES ON DECIMALS
 XXX ± 0.005

| RESISTANCE VALUE (μΩ) | RESISTOR ELEMENT THICKNESS (inches) | ELEMENT LENGTH | ELEMENT MATERIAL |
|-----------------------|-------------------------------------|----------------|------------------|
| 100 | 0.040 | 0.080 | Mn-Cu |
| 250 | 0.059 | 0.276 | Mn-Cu |
| 300 | 0.051 | 0.276 | Mn-Cu |
| 430 | 0.038 | 0.315 | Mn-Cu |
| 500 | 0.033 | 0.315 | Mn-Cu |

PERFORMANCE

| TEST | CONDITIONS OF TEST | TEST LIMITS |
|---------------------------|----------------------------------------------------------------|-------------|
| Thermal Shock | - 55 °C to + 150 °C, 1000 cycles, 15 min at each extreme | ± 0.5 % ΔR |
| Short Time Overload | 5 x rated power for 5 s | ± 0.5 % ΔR |
| Low Temperature Operation | - 65 °C for 45 min | ± 0.5 % ΔR |
| High Temperature Exposure | 1000 h at + 170 °C | ± 1.0 % ΔR |
| Bias Humidity | + 85 °C, 85 % RH, 10 % bias, 1000 h | ± 0.5 % ΔR |
| Mechanical Shock | 100 g's for 6 ms, 5 pulses | ± 0.5 % ΔR |
| Vibration | Frequency varied 10 Hz to 2000 Hz in 1 min, 3 directions, 12 h | ± 0.5 % ΔR |
| Load Life | 1000 h at + 70 °C, 1.5 h "ON", 0.5 h "OFF" | ± 1.0 % ΔR |
| Moisture Resistance | MIL-STD-202, method 106, 0 % power, 7b not required | ± 0.5 % ΔR |



Disclaimer

All product specifications and data are subject to change without notice.

Vishay Intertechnology, Inc., its affiliates, agents, and employees, and all persons acting on its or their behalf (collectively, "Vishay"), disclaim any and all liability for any errors, inaccuracies or incompleteness contained herein or in any other disclosure relating to any product.

Vishay disclaims any and all liability arising out of the use or application of any product described herein or of any information provided herein to the maximum extent permitted by law. The product specifications do not expand or otherwise modify Vishay's terms and conditions of purchase, including but not limited to the warranty expressed therein, which apply to these products.

No license, express or implied, by estoppel or otherwise, to any intellectual property rights is granted by this document or by any conduct of Vishay.

The products shown herein are not designed for use in medical, life-saving, or life-sustaining applications unless otherwise expressly indicated. Customers using or selling Vishay products not expressly indicated for use in such applications do so entirely at their own risk and agree to fully indemnify Vishay for any damages arising or resulting from such use or sale. Please contact authorized Vishay personnel to obtain written terms and conditions regarding products designed for such applications.

Product names and markings noted herein may be trademarks of their respective owners.

Данный компонент на территории Российской Федерации

Вы можете приобрести в компании MosChip.

Для оперативного оформления запроса Вам необходимо перейти по данной ссылке:

<http://moschip.ru/get-element>

Вы можете разместить у нас заказ для любого Вашего проекта, будь то серийное производство или разработка единичного прибора.

В нашем ассортименте представлены ведущие мировые производители активных и пассивных электронных компонентов.

Нашей специализацией является поставка электронной компонентной базы двойного назначения, продукции таких производителей как XILINX, Intel (ex.ALTERA), Vicor, Microchip, Texas Instruments, Analog Devices, Mini-Circuits, Amphenol, Glenair.

Сотрудничество с глобальными дистрибьюторами электронных компонентов, предоставляет возможность заказывать и получать с международных складов практически любой перечень компонентов в оптимальные для Вас сроки.

На всех этапах разработки и производства наши партнеры могут получить квалифицированную поддержку опытных инженеров.

Система менеджмента качества компании отвечает требованиям в соответствии с ГОСТ Р ИСО 9001, ГОСТ РВ 0015-002 и ЭС РД 009

Офис по работе с юридическими лицами:

105318, г.Москва, ул.Щербаковская д.3, офис 1107, 1118, ДЦ «Щербаковский»

Телефон: +7 495 668-12-70 (многоканальный)

Факс: +7 495 668-12-70 (доб.304)

E-mail: info@moschip.ru

Skype отдела продаж:

moschip.ru

moschip.ru_4

moschip.ru_6

moschip.ru_9