

OUTLINE

The Rx5RW Series are CMOS-based voltage regulator ICs with high accuracy output voltage and ultra-low supply current developed. Each of these ICs consists of a driver transistor, a voltage reference unit, an error amplifier, resistors for setting output voltage and a current limit circuit.

The output voltage of these ICs is fixed with high accuracy.

Even if V_{OUT} is shorted to GND, the included current limit circuit protects the ICs from the destruction. Furthermore, Rx5RWxxA/B have a chip enable function, so that the supply current on standby can be minimized.

Since the packages for these ICs are SC-82AB (Super Mini-mold) package and SON1612-6, high density mounting of the ICs on boards is possible.

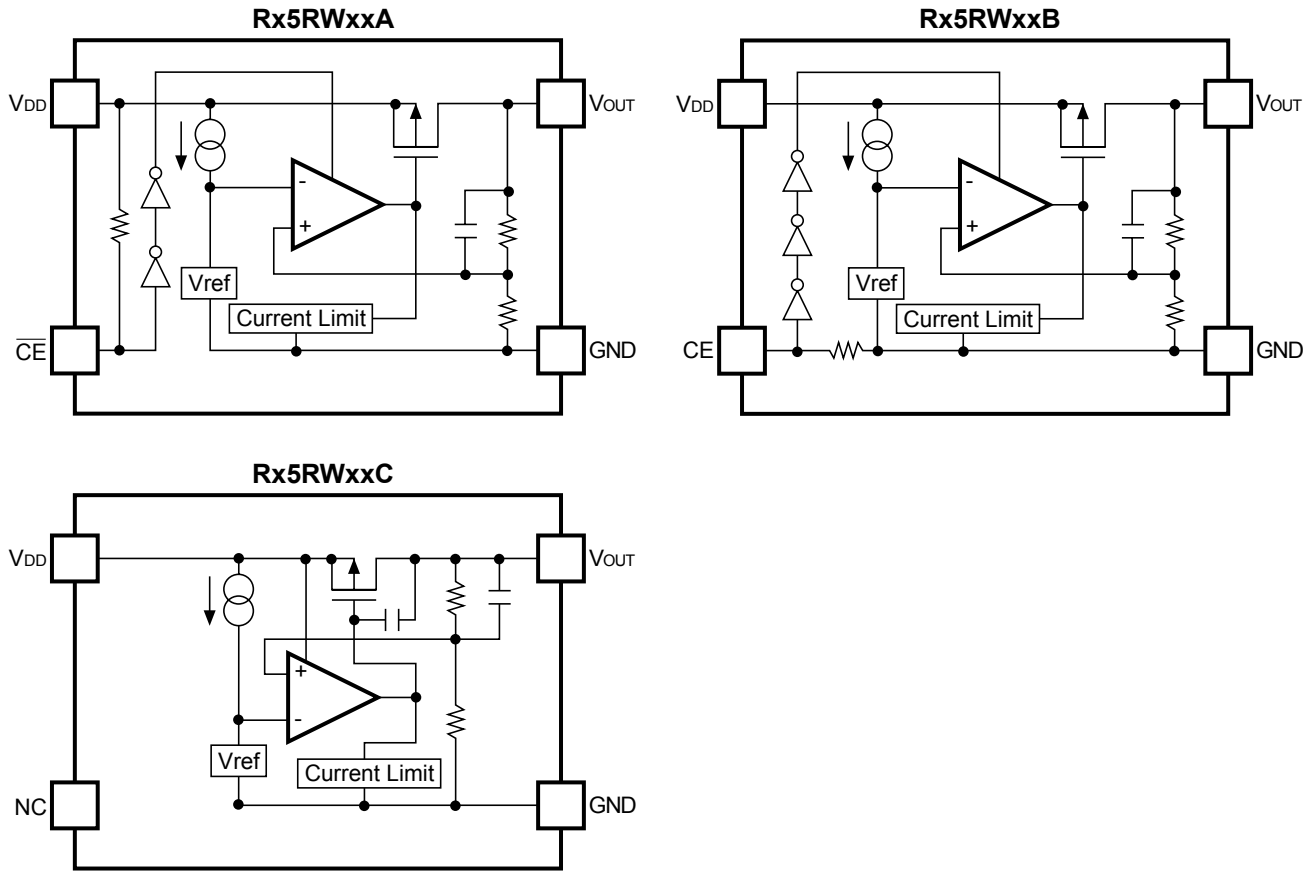
FEATURES

- Ultra-Low Supply Current..... Typ. 1.5 μ A
(except pull-up/pull-down current for \overline{CE} /CE pin)
- Standby Current Typ. 0.1 μ A
- Dropout Voltage Typ. 40mV ($I_{OUT}=1$ mA, Rx5RW30A/B)
- Low Temperature-Drift Coefficient of Output Voltage... Typ. ± 100 ppm/ $^{\circ}$ C
- Excellent Line Regulation Typ. 0.05%/V
- High Accuracy Output Voltage $\pm 2.0\%$
- Ultra-Small Packages SC-82AB (Super Mini-mold), SON1612-6
- Built-in Current Limit Circuits

APPLICATIONS

- Power source for battery-powered equipment.
- Power source for cameras, VCRs, camcorders, hand-held audio instruments and hand-held communication equipment.
- Precision voltage references.

BLOCK DIAGRAMS



SELECTION GUIDE

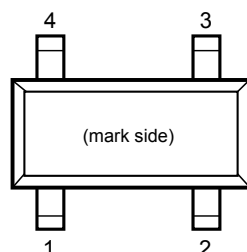
The output voltage, the active type, and the packing type for the ICs can be selected at the user's request. The selection can be made with designating the part number as shown below:

Rx5RWxxxx-xx ←Part Number
 ↑ ↑ ↑ ↑ ↑
 a b c d e

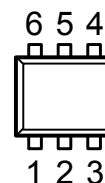
Code	Contents
a	Designation of Package Type Q: SC-82AB D:SON1612-6
b	Setting Output Voltage (V _{OUT}): Stepwise setting with a step of 0.1V in the range of 1.5V to 6.0V is possible.
c	Designation of Chip enable Active Type: A: "L" active type B: "H" active type C: no chip enable type
d	Designation of Packing Type: A: Taping B: Antistatic bag (for Sample only)
e	Designation of Taping Type: TR (refer to Taping Specifications)

PIN CONFIGURATION

● SC-82AB



● SON1612-6



PIN DESCRIPTION

● SC-82AB

Pin No	Symbol	Pin Description
1	GND	Ground Pin
2	V _{DD}	Input Pin
3	V _{OUT}	Output Pin
4	$\overline{\text{CE}}$ or CE or NC	Chip Enable Pin or No Connection

SON1612-6

Pin No	Symbol	Pin Description
1	$\overline{\text{CE}}$ or CE or NC	Chip Enable Pin or No Connection
2	V _{DD}	Input Pin
3	V _{OUT}	Output Pin
4	NC	No Connection
5	V _{DD}	Input Pin
6	GND	Ground Pin

ABSOLUTE MAXIMUM RATINGS

Symbol	Item	Rating	Unit
V _{IN}	Input Voltage	9.0	V
V _{CE}	Input Voltage for $\overline{\text{CE}}$ /CE Pin	-0.3 to V _{IN} +0.3	V
V _{OUT}	Output Voltage	-0.3 to V _{IN} +0.3	V
I _{OUT}	Output Current	150	mA
P _D	Power Dissipation (SC-82AB) *1	380	mW
	Power Dissipation (SON1612-6) *1	500	
T _{opt}	Operating Temperature	-40 to +85	°C
T _{stg}	Storage Temperature	-55 to +125	°C

*1) For Power Dissipation, please refer to PACKAGE INFORMATION to be described.

ABSOLUTE MAXIMUM RATINGS

Absolute Maximum ratings are threshold limit values that must not be exceeded even for an instant under any conditions. Moreover, such values for any two items must not be reached simultaneously. Operation above these absolute maximum ratings may cause degradation or permanent damage to the device. These are stress ratings only and do not necessarily imply functional operation below these limits.

ELECTRICAL CHARACTERISTICS

• Rx5RW30A

T_{opt}=25°C

Symbol	Item	Conditions	Min.	Typ.	Max.	Unit
V _{OUT}	Output Voltage	V _{IN} =5.0V 10μA ≤ I _{OUT} ≤ 10mA	2.940	3.000	3.060	V
I _{OUT}	Output Current	V _{IN} =5.0V	50			mA
ΔV _{OUT} /ΔI _{OUT}	Load Regulation	V _{IN} =5.0V, 1mA ≤ I _{OUT} ≤ 50mA		40	60	mV
V _{DIF}	Dropout Voltage	I _{OUT} =1mA		40	60	mV
I _{SS}	Supply Current	V _{IN} =5.0V		1.5	3.0	μA
I _{standby}	Standby Current	V _{IN} =5.0V, V _{CE} =5.0V		0.1	1.0	μA
ΔV _{OUT} /ΔV _{IN}	Line Regulation	I _{OUT} =1mA V _{OUT} +0.5V ≤ V _{IN} ≤ 8V	0.00	0.05	0.20	%/V
V _{IN}	Input Voltage				8.0	V
ΔV _{OUT} /ΔT _{opt}	Output Voltage Temperature Coefficient	I _{OUT} =10mA -40°C ≤ T _{opt} ≤ 85°C		±100		ppm/ °C
I _{LIM}	Short Current Limit	V _{OUT} =0V		40		mA
R _{PU}	Pull up resistance for CE pin		1.5	4.0	12.0	MΩ
V _{CEH}	$\overline{\text{CE}}$ Input Voltage "H"		1.5			V
V _{CEL}	$\overline{\text{CE}}$ Input Voltage "L"		0.25			V

- Rx5RW30B

T_{opt}=25°C

Symbol	Item	Conditions	Min.	Typ.	Max.	Unit
V _{OUT}	Output Voltage	V _{IN} =5.0V 10μA ≤ I _{OUT} ≤ 10mA	2.940	3.000	3.060	V
I _{OUT}	Output Current	V _{IN} =5.0V	50			mA
ΔV _{OUT} /ΔI _{OUT}	Load Regulation	V _{IN} =5.0V 1mA ≤ I _{OUT} ≤ 50mA		40	60	mV
V _{DIF}	Dropout Voltage	I _{OUT} =1mA		40	60	mV
I _{SS}	Supply Current	V _{IN} =5.0V		1.5	3.0	μA
I _{standby}	Standby Current	V _{IN} =5.0V, V _{CE} =GND		0.1	1.0	μA
ΔV _{OUT} /ΔV _{IN}	Line Regulation	I _{OUT} =1mA V _{OUT} +0.5V ≤ V _{IN} ≤ 8V	0.00	0.05	0.20	%/V
V _{IN}	Input Voltage				8.0	V
ΔV _{OUT} /ΔT _{opt}	Output Voltage Temperature Coefficient	I _{OUT} =1mA -40°C ≤ T _{opt} ≤ 85°C		±100		ppm/ °C
I _{LIM}	Short Current Limit	V _{OUT} =0V		40		mA
R _{PD}	Pull down resistance for CE pin		1.5	4.0	12.0	MΩ
V _{CEH}	CE Input Voltage "H"		1.5			V
V _{CEL}	CE Input Voltage "L"		0.25			V

- Rx5RW30C

T_{opt}=25°C

Symbol	Item	Conditions	Min.	Typ.	Max.	Unit
V _{OUT}	Output Voltage	V _{IN} =5.0V 10μA ≤ I _{OUT} ≤ 10mA	2.940	3.000	3.060	V
I _{OUT}	Output Current	V _{IN} =5.0V	50			mA
ΔV _{OUT} /ΔI _{OUT}	Load Regulation	V _{IN} =5.0V 1mA ≤ I _{OUT} ≤ 50mA		40	60	mV
V _{DIF}	Dropout Voltage	I _{OUT} =1mA		40	60	mV
I _{SS}	Supply Current	V _{IN} =5.0V		1.5	3.0	μA
ΔV _{OUT} /ΔV _{IN}	Line Regulation	I _{OUT} =1mA 3.5V ≤ V _{IN} ≤ 8.0V	0.00	0.05	0.20	%/V
V _{IN}	Input Voltage				8.0	V
ΔV _{OUT} /ΔT _{opt}	Output Voltage Temperature Coefficient	I _{OUT} =10mA -40°C ≤ T _{opt} ≤ 85°C		±100		ppm/ °C
I _{LIM}	Short Current Limit			40		mA

ELECTRICAL CHARACTERISTICS BY OUTPUT VOLTAGE

Topl=25°C

Part Number	Output Voltage				Output Current			Load Regulation			Dropout Voltage			
	Condi-tions	VOUT (V)			Condi-tions	IOUT (mA)		ΔVOUT/ΔIOUT (mV)			VDIF (mV)			
		Min.	Typ.	Max.		Min.	Typ.	Condi-tions	Typ.	Max.	Condi-tions	Typ.	Max.	
Rx5RW15	VIN-VOUT =2.0V 10μA ≤ IOUT ≤ 10mA	1.470	1.500	1.530	VIN-VOUT =2.0V	35		VIN-VOUT =2.0V 1mA ≤ IOUT ≤ 35mA	30	45			120	200
Rx5RW16		1.568	1.600	1.632									90	135
Rx5RW17		1.666	1.700	1.734										
Rx5RW18		1.764	1.800	1.836										
Rx5RW19		1.862	1.900	1.938										
Rx5RW20		1.960	2.000	2.040										
Rx5RW21		2.058	2.100	2.142										
Rx5RW22		2.156	2.200	2.244										
Rx5RW23		2.254	2.300	2.346										
Rx5RW24		2.352	2.400	2.448										
Rx5RW25		2.450	2.500	2.550										
Rx5RW26		2.548	2.600	2.652										
Rx5RW27		2.646	2.700	2.754										
Rx5RW28		2.744	2.800	2.856										
Rx5RW29		2.842	2.900	2.958										
Rx5RW30		2.940	3.000	3.060										
Rx5RW31		3.038	3.100	3.162										
Rx5RW32		3.136	3.200	3.264										
Rx5RW33		3.234	3.300	3.366										
Rx5RW34		3.332	3.400	3.468										
Rx5RW35		3.430	3.500	3.570										
Rx5RW36		3.528	3.600	3.672		50	60							
Rx5RW37		3.626	3.700	3.774										
Rx5RW38		3.724	3.800	3.876										
Rx5RW39		3.822	3.900	3.978										
Rx5RW40		3.920	4.000	4.080										
Rx5RW41		4.018	4.100	4.182										
Rx5RW42		4.116	4.200	4.284										
Rx5RW43		4.214	4.300	4.386										
Rx5RW44		4.312	4.400	4.488										
Rx5RW45		4.410	4.500	4.590										
Rx5RW46		4.508	4.600	4.692				65	70					
Rx5RW47		4.606	4.700	4.794										
Rx5RW48		4.704	4.800	4.896										
Rx5RW49	4.802	4.900	4.998											
Rx5RW50	4.900	5.000	5.100											
Rx5RW51	4.998	5.100	5.202											
Rx5RW52	5.096	5.200	5.304											
Rx5RW53	5.194	5.300	5.406											
Rx5RW54	5.292	5.400	5.508											
Rx5RW55	5.390	5.500	5.610											
Rx5RW56	5.488	5.600	5.712	80	90									
Rx5RW57	5.586	5.700	5.814											
Rx5RW58	5.684	5.800	5.916											
Rx5RW59	5.782	5.900	6.018											
Rx5RW60	5.880	6.000	6.120											

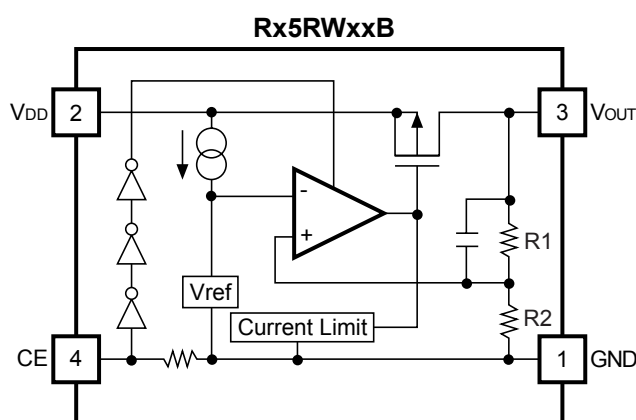
ELECTRICAL CHARACTERISTICS BY OUTPUT VOLTAGE

(common characteristics)

$T_{opt}=25^{\circ}\text{C}$

Symbol	Item	Conditions	Min.	Typ.	Max.	Unit
I_{SS}	Supply Current	$V_{IN}=\text{set}V_{OUT}+2.0$		1.5	3.0	μA
$I_{standby}$	Standby Current	$V_{IN}=\text{set}V_{OUT}+2.0\text{V}$ $V_{CE}=V_{IN}$ (Rx5RWxxA), $V_{CE}=\text{GND}$ (Rx5RWxxB)		0.1	1.0	μA
$\Delta V_{OUT}/\Delta V_{IN}$	Line Regulation	$I_{OUT}=1\text{mA}$ $\text{set}V_{OUT}+0.5\text{V} \leq V_{IN} \leq 8\text{V}$	0.00	0.05	0.20	$\%/V$
V_{IN}	Input Voltage				8.0	V
$\Delta V_{OUT}/\Delta T_{opt}$	Output Voltage Temperature Coefficient	$I_{OUT}=10\text{mA}$ $-40^{\circ}\text{C} \leq T_{opt} \leq 85^{\circ}\text{C}$		± 100		ppm/ $^{\circ}\text{C}$
I_{LIM}	Short Current Limit	$V_{OUT}=0\text{V}$		40		mA
R_{PU}/R_{PD}	$\overline{\text{CE}}$ Pull-up / CE Pull-down Resistance	applied to A/B version	1.5	4.0	12.0	$\text{M}\Omega$
V_{CEH}	$\overline{\text{CE}}$ /CE Input Voltage "H"	applied to A/B version	1.5			V
V_{CEL}	$\overline{\text{CE}}$ /CE Input Voltage "L"	applied to A/B version			0.25	V

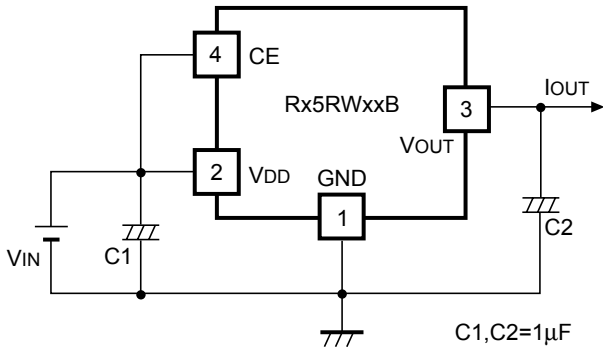
OPERATION



In these ICs, output voltage V_{OUT} is detected by Feedback Registers R1, R2, and the detected output voltage is compared with a reference voltage by the error amplifier, so that a constant voltage is output.

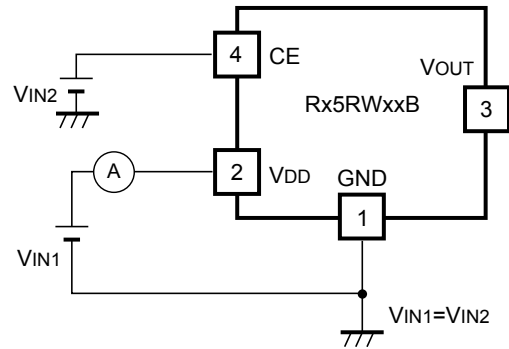
A current limit circuit working for short protect, and a chip enable circuit are included.

TEST CIRCUITS



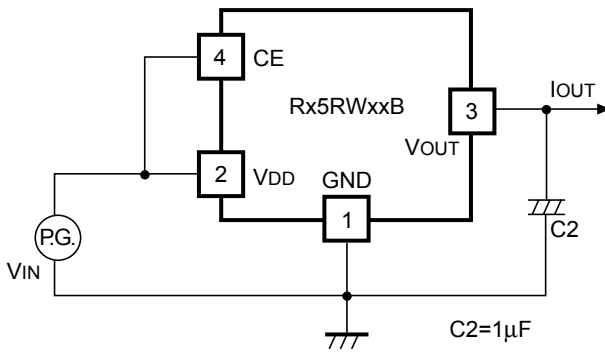
Standard Test Circuit

C1,C2=1 μ F



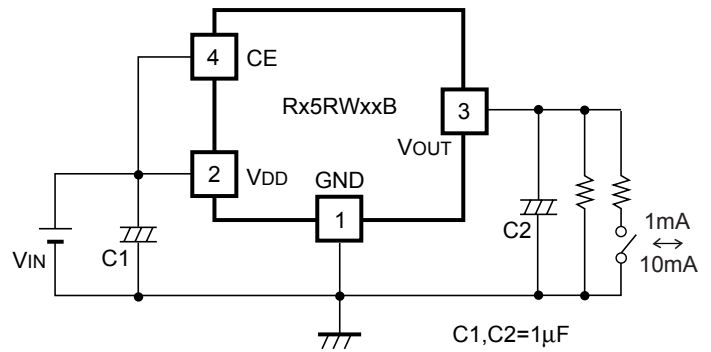
Test Circuit for Supply Current

VIN1=VIN2



Test Circuit for Ripple Rejection and Line Transient Response

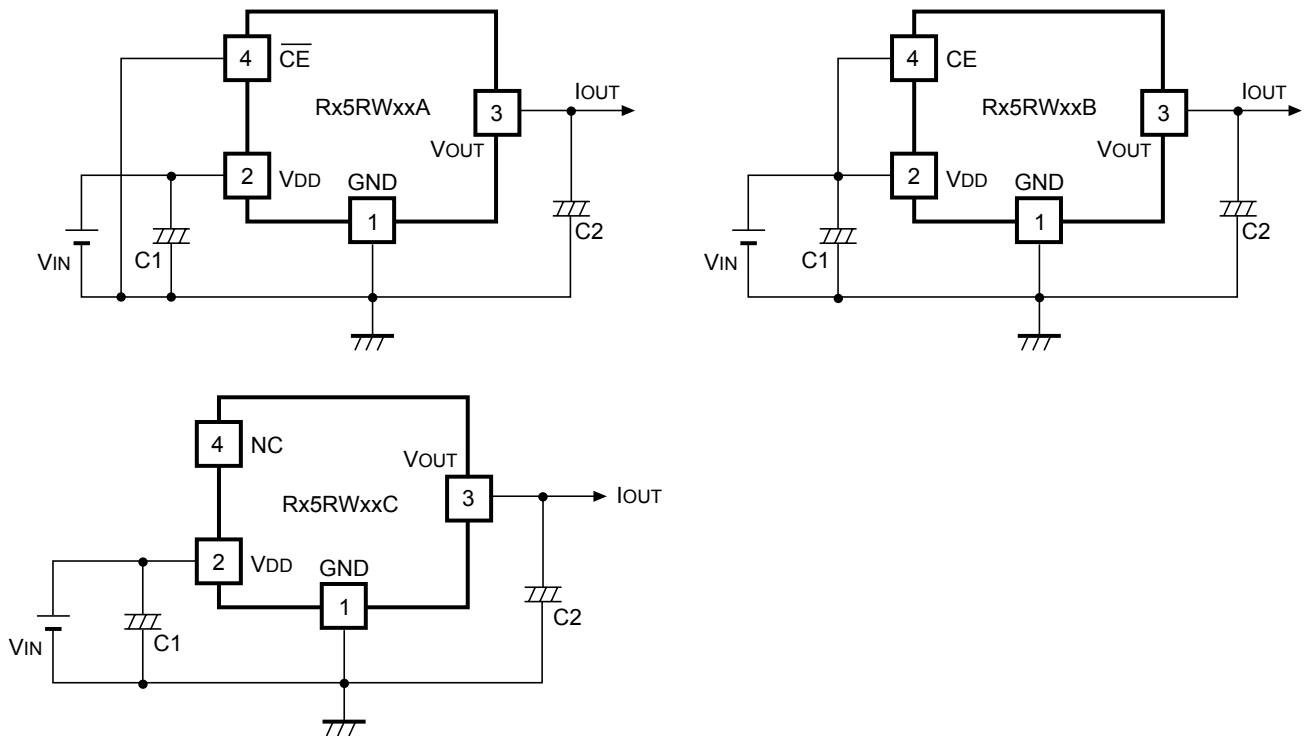
C2=1 μ F



Test Circuit for Load Transient Response

C1,C2=1 μ F

TYPICAL APPLICATION

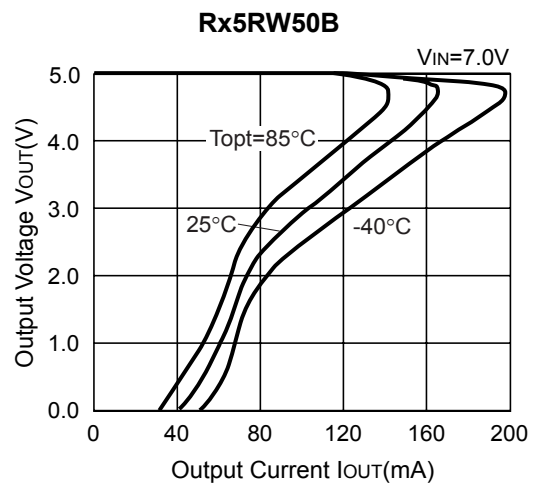
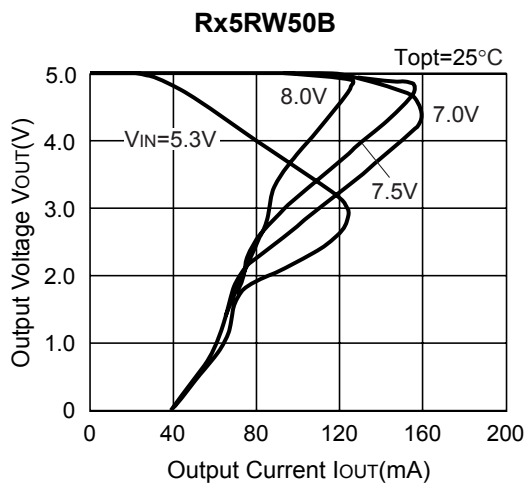
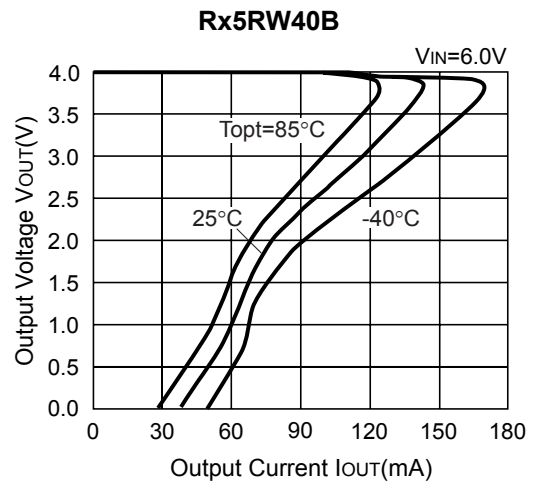
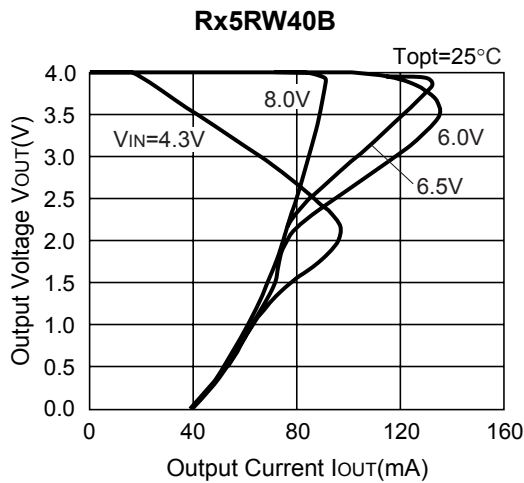
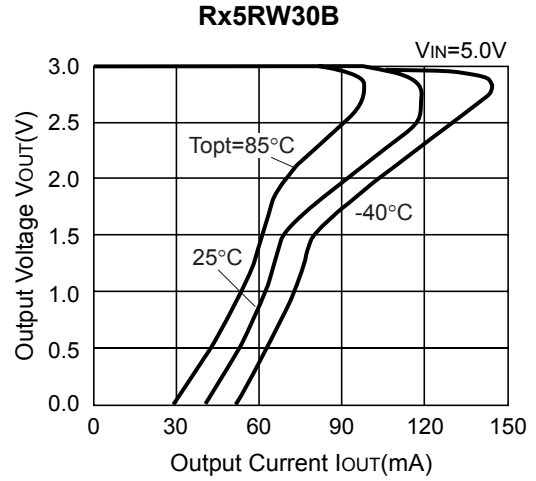
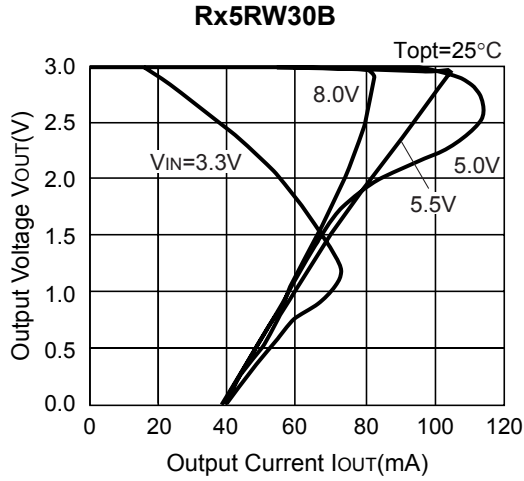


In Rx5RW Series, a constant voltage can be obtained without using capacitors, C1 and C2. However, when the wire connected V_{IN} is long, use capacitor C1. Output noise can be reduced with using capacitor 2.

Insert capacitors C1 and C2 with the capacitance of $0.1\mu\text{F}$ to $2\mu\text{F}$ between input/output pins and GND pin with minimum wiring.

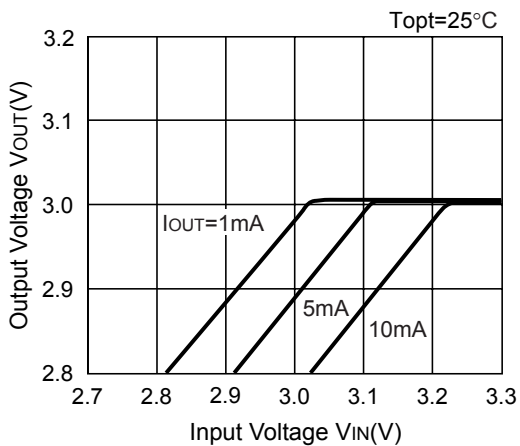
TYPICAL CHARACTERISTICS

1) Output Voltage vs. Output Current

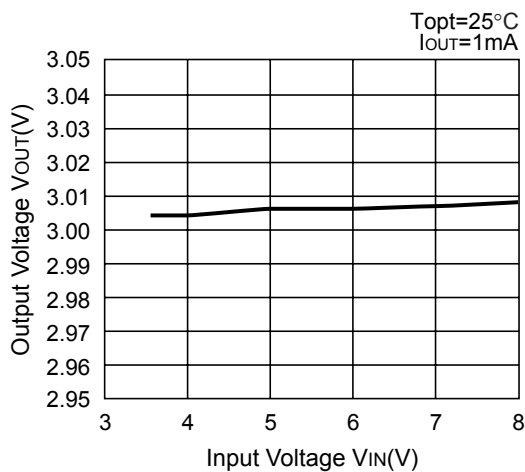


2) Output Voltage vs. Input Voltage

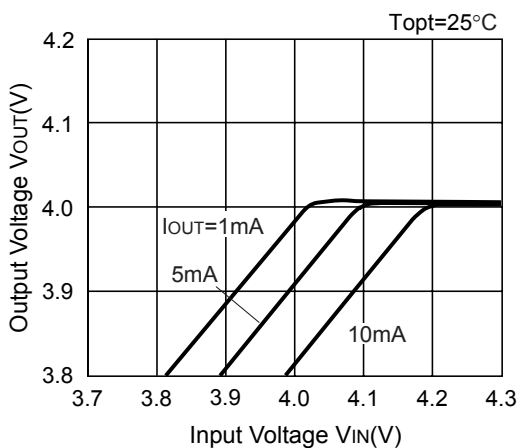
Rx5RW30B



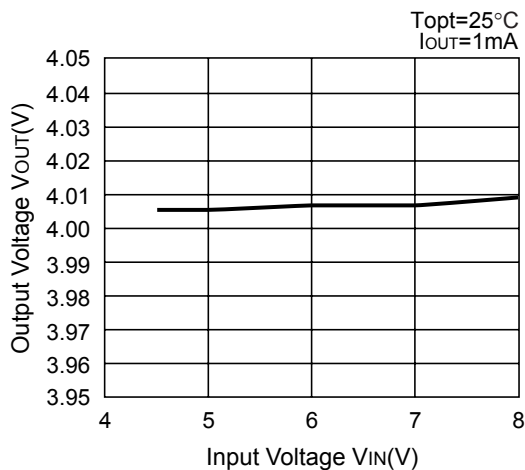
Rx5RW30B



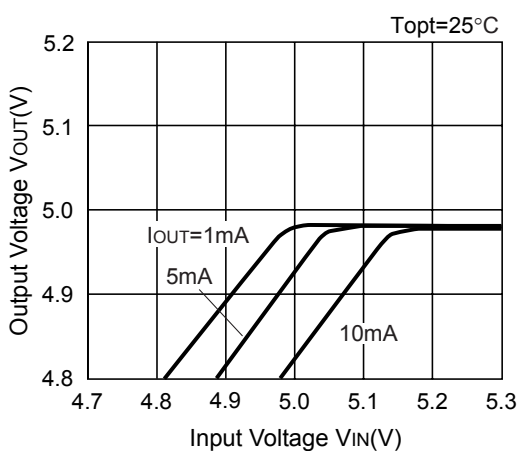
Rx5RW40B



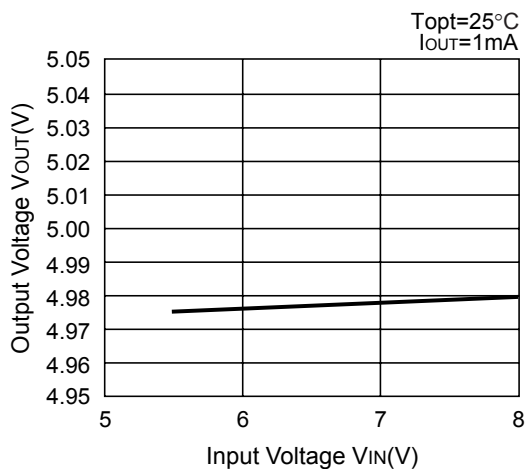
Rx5RW40B



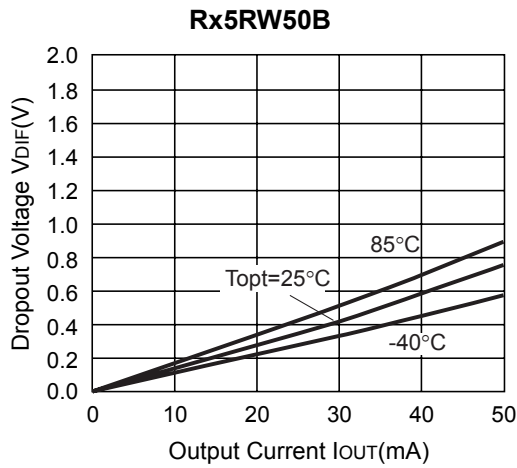
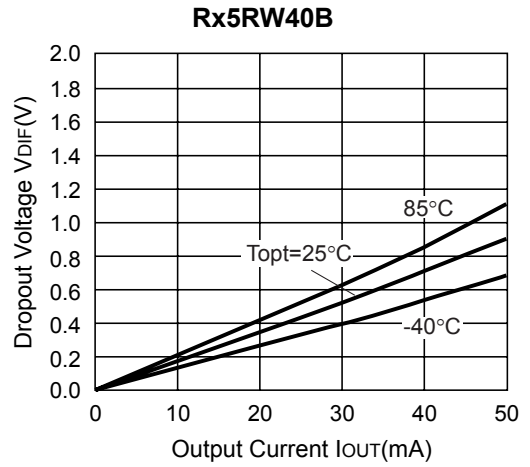
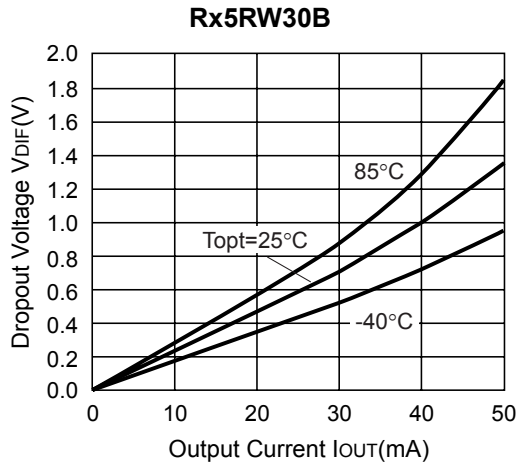
Rx5RW50B



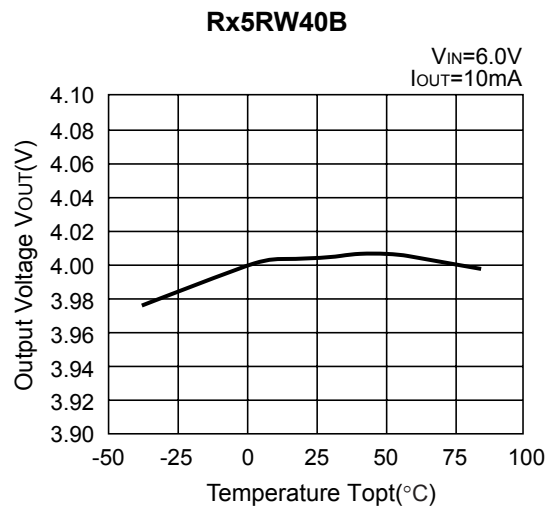
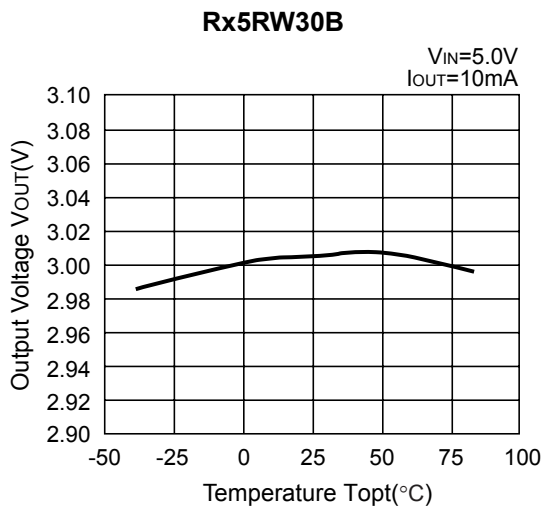
Rx5RW50B

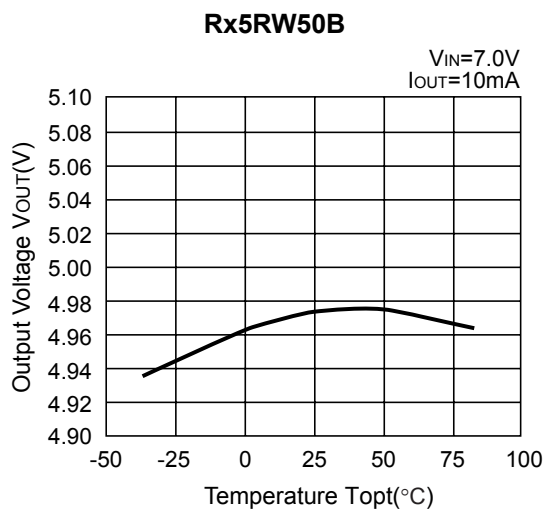


3) Dropout Voltage vs. Output Current

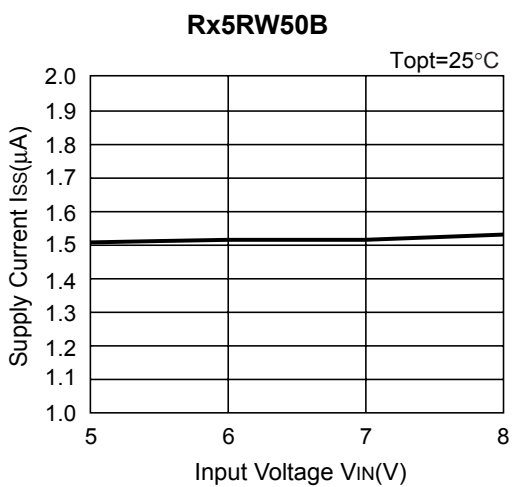
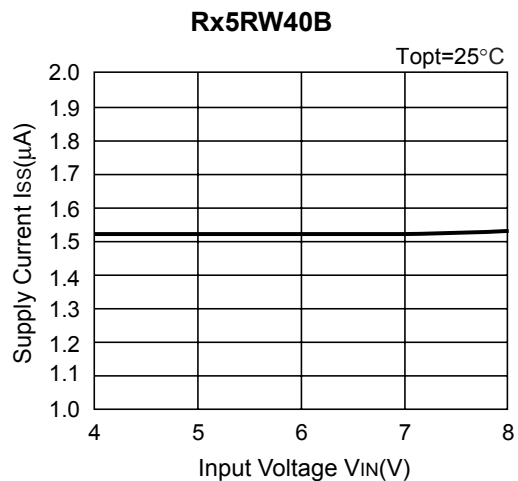
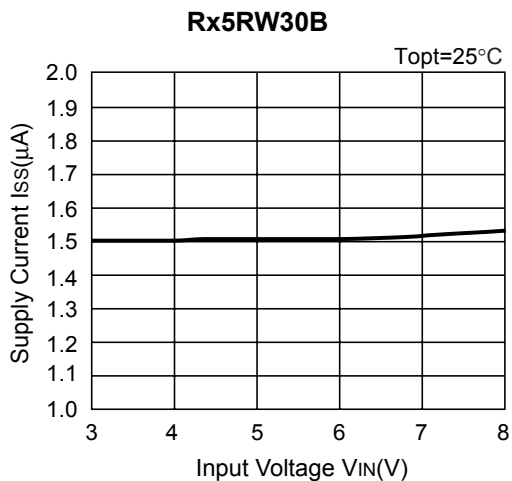


4) Output Voltage vs. Temperature



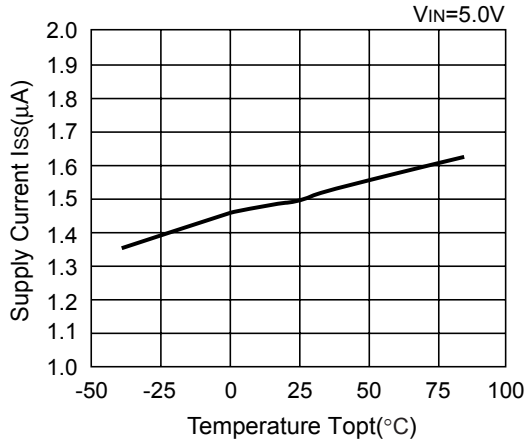


5) Supply Current vs. Input Voltage

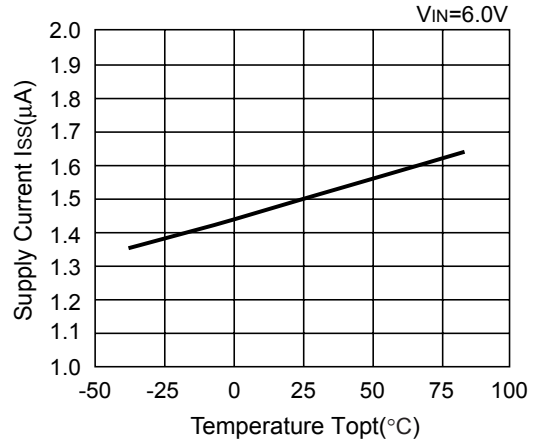


6) Supply Current vs. Temperature

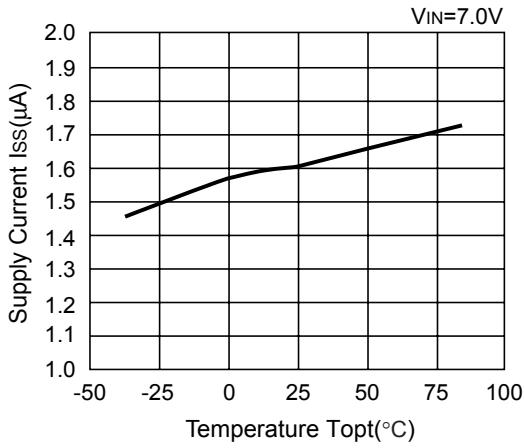
Rx5RW30B



Rx5RW40B

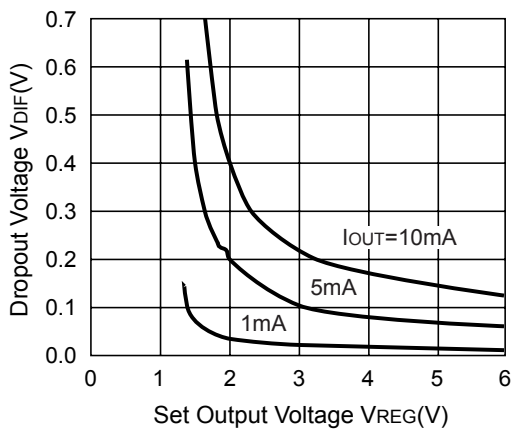


Rx5RW50B

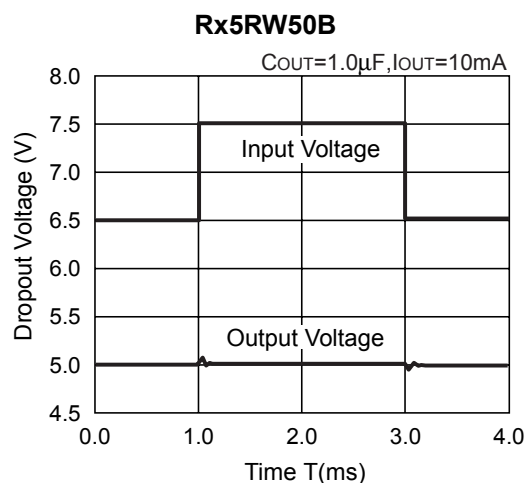
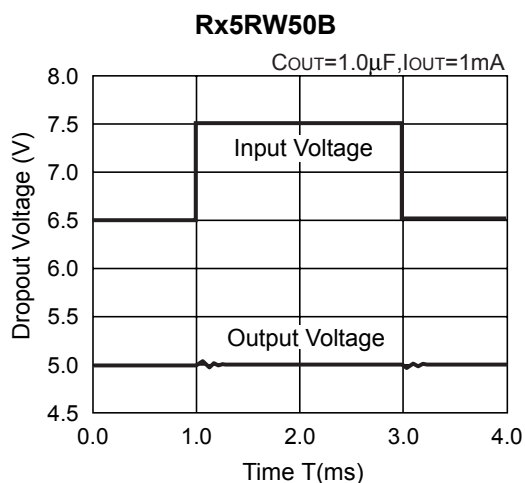
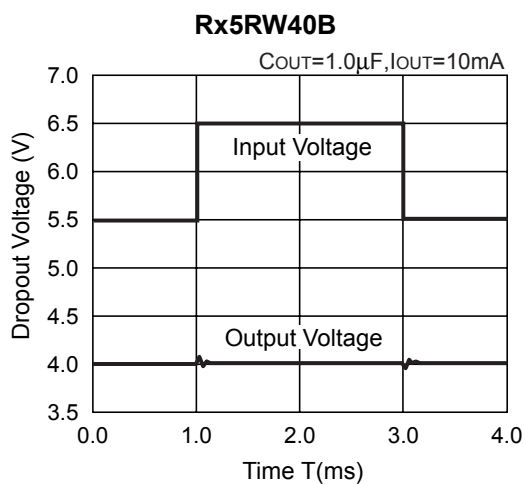
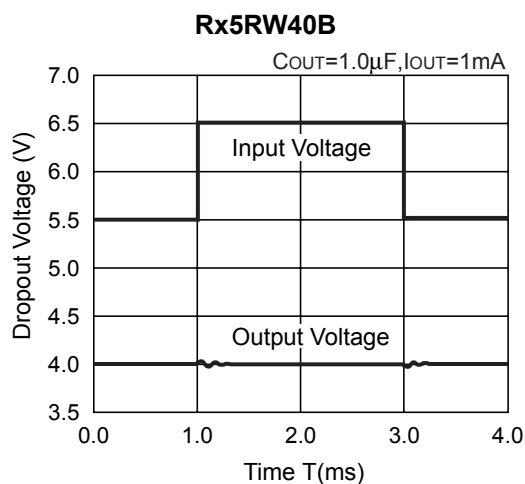
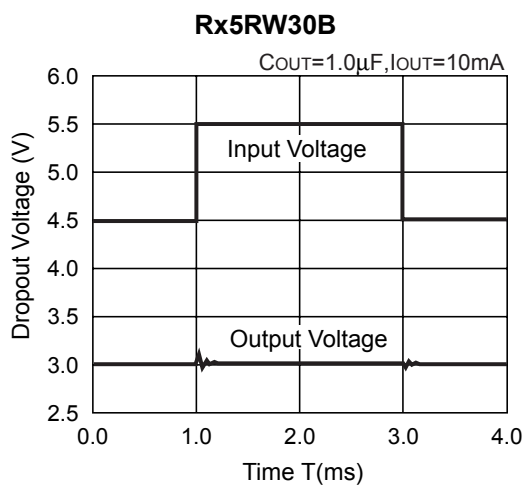
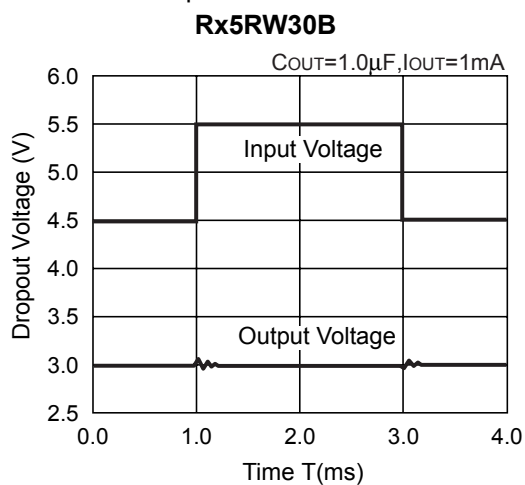


7) Dropout Voltage vs. Set Output Voltage

Rx5RWxxB

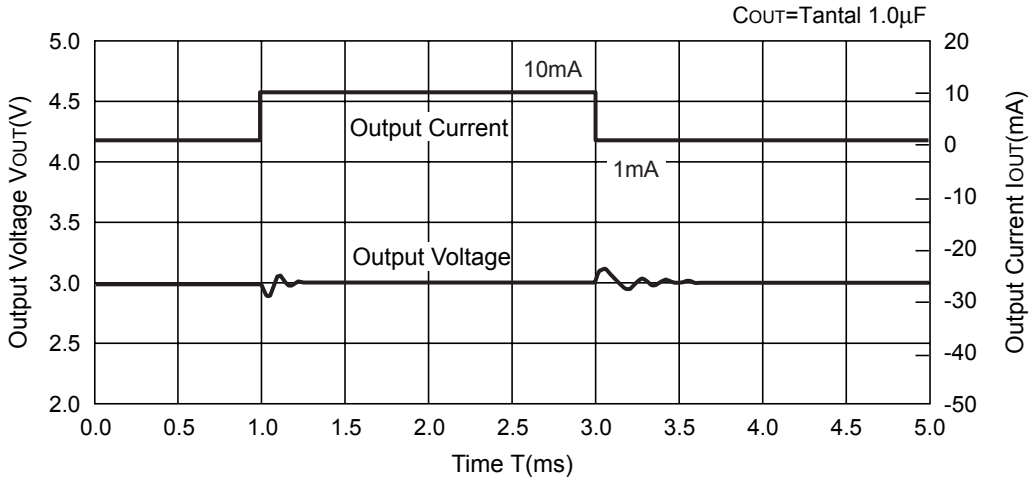


8) Line Transient Response

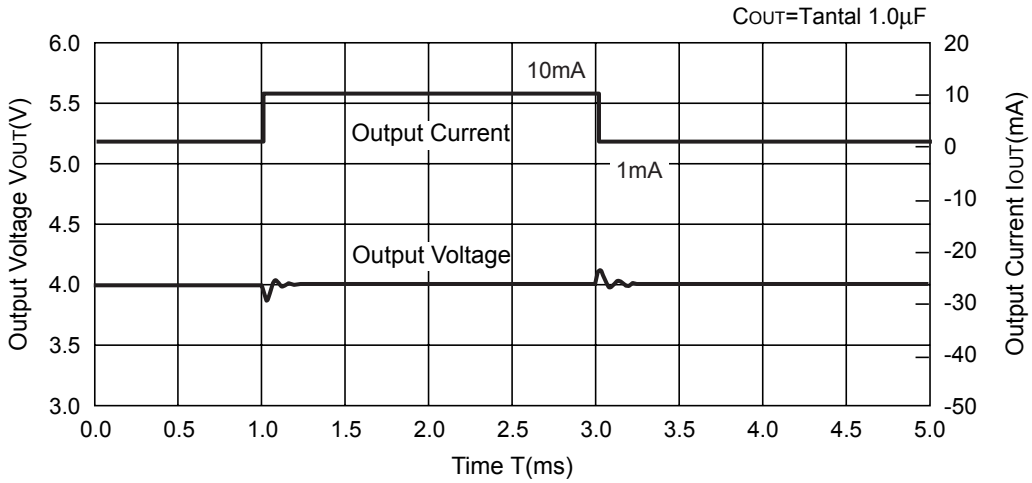


9) Load Transient Response

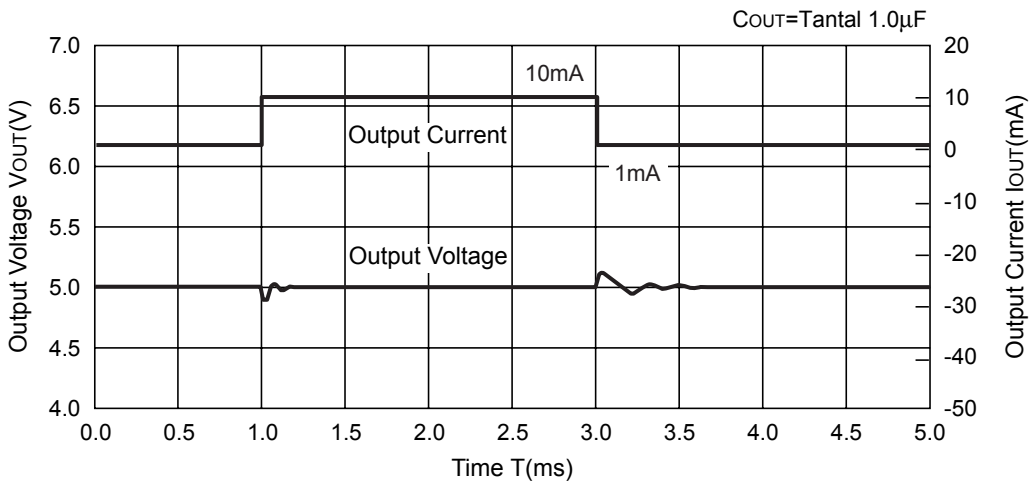
Rx5RW30B



Rx5RW40B



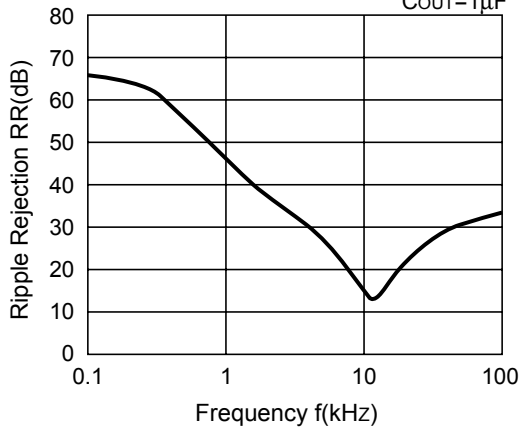
Rx5RW50B



10) Ripple Rejection

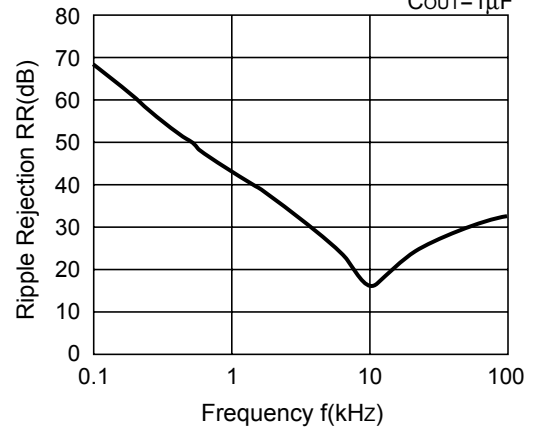
Rx5RW30B

$V_{IN}=5V_{dc}+0.5V_{p-p}$
 $I_{OUT}=10mA$
 $C_{OUT}=1\mu F$



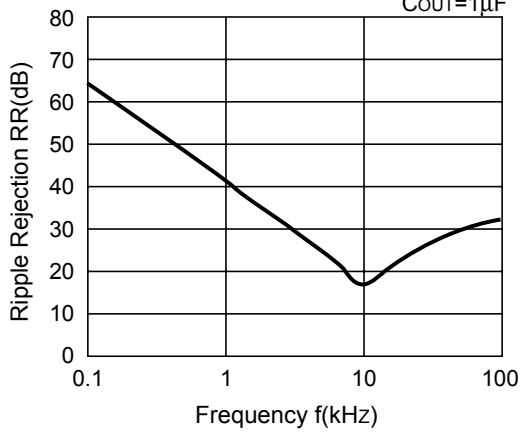
Rx5RW40B

$V_{IN}=6V_{dc}+0.5V_{p-p}$
 $I_{OUT}=10mA$
 $C_{OUT}=1\mu F$



Rx5RW50B

$V_{IN}=7V_{dc}+0.5V_{p-p}$
 $I_{OUT}=10mA$
 $C_{OUT}=1\mu F$



• SC-82AB

Unit: mm

PACKAGE DIMENSIONS



TAPING SPECIFICATION



TAPING REEL DIMENSIONS

(1reel=3000pcs)



POWER DISSIPATION (SC-82AB)

This specification is at mounted on board. Power Dissipation (P_D) depends on conditions of mounting on board. This specification is based on the measurement at the condition below:

Measurement Conditions

	Standard Land Pattern
Environment	Mounting on Board (Wind velocity=0m/s)
Board Material	Glass cloth epoxy plactic (Double sided)
Board Dimensions	40mm × 40mm × 1.6mm
Copper Ratio	Top side : Approx. 50% , Back side : Approx. 50%
Through-hole	φ0.5mm × 44pcs

Measurement Result

($T_{opt}=25^{\circ}C, T_{jmax}=125^{\circ}C$)

	Standard Land Pattern	Free Air
Power Dissipation	380mW	150mW
Thermal Resistance	$\theta_{ja}=(125-25^{\circ}C)/0.38W=263^{\circ}C/W$	667 $^{\circ}C/W$



Power Dissipation



Measurement Board Pattern

○ IC Mount Area (Unit : mm)

RECOMMENDED LAND PATTERN

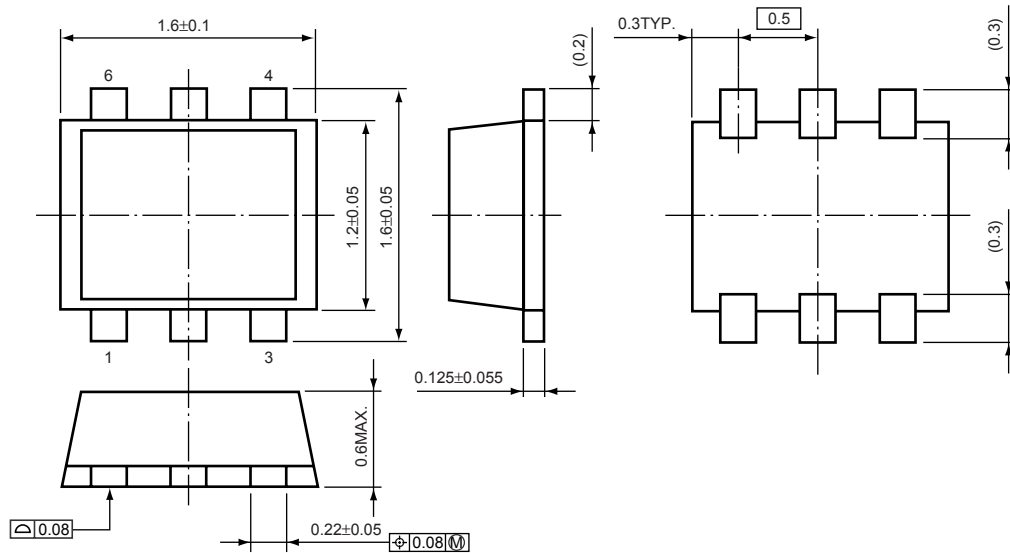


(Unit: mm)

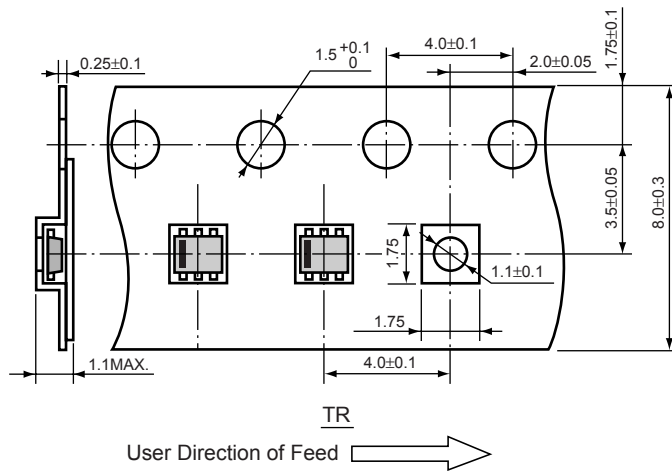
• SON1612-6

Unit: mm

PACKAGE DIMENSIONS

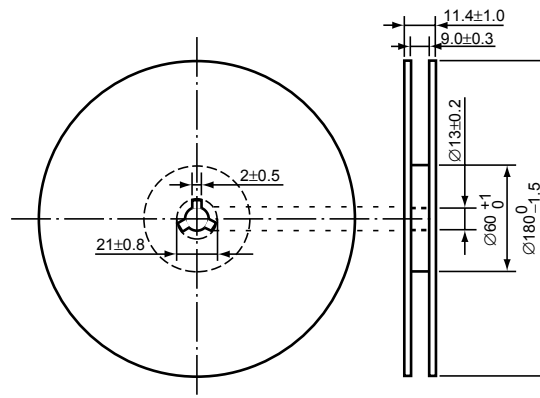


TAPING SPECIFICATION



TAPING REEL DIMENSIONS

(1reel=4000pcs)



Power Dissipation (SON1612-6)

This specification is at mounted on board.

Power Dissipation (P_D) depends on conditions of mounting on board. This specification is based on the measurement at the condition below:

Measurement Conditions

	Standard Land Pattern
Environment	Mounting on Board (Wind velocity=0m/s)
Board Material	Glass cloth epoxy plastic (Double sided)
Board Dimensions	40mm × 40mm × 1.6mm
Copper Ratio	Top side : Approx. 50%, Back side : Approx.50%
Through-hole	φ0.5mm × 24pcs

Measurement Result

($T_{opt}=25^{\circ}C, T_{jmax}=125^{\circ}C$)

	Standard Land Pattern
Power Dissipation	500mW
Thermal Resistance	$\theta_{ja}=(125-25^{\circ}C)/0.5W=200^{\circ}C/W$



Power Dissipation



Measurement Board Pattern

○ IC Mount Area Unit : mm

RECOMMENDED LAND PATTERN



(Unit: mm)

RQ5RW SERIES MARK SPECIFICATION

• SC-82AB



①, ② : Product Code (refer to Part Number vs. Product Code)

③, ④ : Lot Number

• Part Number vs. Product Code

Part Number	Product Code	
	①	②
RQ5RW20AA	2	A
RQ5RW21AA	2	B
RQ5RW22AA	2	C
RQ5RW23AA	2	D
RQ5RW24AA	2	E
RQ5RW25AA	2	F
RQ5RW26AA	2	G
RQ5RW27AA	2	H
RQ5RW28AA	2	J
RQ5RW29AA	2	K
RQ5RW30AA	3	A
RQ5RW31AA	3	B
RQ5RW32AA	3	C
RQ5RW33AA	3	D
RQ5RW34AA	3	E
RQ5RW35AA	3	F
RQ5RW36AA	3	G
RQ5RW37AA	3	H
RQ5RW38AA	3	J
RQ5RW39AA	3	K
RQ5RW40AA	4	A
RQ5RW41AA	4	B
RQ5RW42AA	4	C
RQ5RW43AA	4	D
RQ5RW44AA	4	E
RQ5RW45AA	4	F
RQ5RW46AA	4	G
RQ5RW47AA	4	H
RQ5RW48AA	4	J
RQ5RW49AA	4	K
RQ5RW50AA	5	A
RQ5RW51AA	5	B
RQ5RW52AA	5	C
RQ5RW53AA	5	D

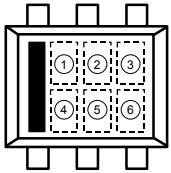
Part Number	Product Code	
	①	②
RQ5RW54AA	5	E
RQ5RW55AA	5	F
RQ5RW56AA	5	G
RQ5RW57AA	5	H
RQ5RW58AA	5	J
RQ5RW59AA	5	K
RQ5RW60AA	6	A
RQ5RW19AA	6	B
RQ5RW18AA	6	C
RQ5RW17AA	6	D
RQ5RW16AA	6	E
RQ5RW15AA	6	F
RQ5RW20BA	7	A
RQ5RW21BA	7	B
RQ5RW22BA	7	C
RQ5RW23BA	7	D
RQ5RW24BA	7	E
RQ5RW25BA	7	F
RQ5RW26BA	7	G
RQ5RW27BA	7	H
RQ5RW28BA	7	J
RQ5RW29BA	7	K
RQ5RW30BA	8	A
RQ5RW31BA	8	B
RQ5RW32BA	8	C
RQ5RW33BA	8	D
RQ5RW34BA	8	E
RQ5RW35BA	8	F
RQ5RW36BA	8	G
RQ5RW37BA	8	H
RQ5RW38BA	8	J
RQ5RW39BA	8	K
RQ5RW40BA	9	A
RQ5RW41BA	9	B

Part Number	Product Code	
	①	②
RQ5RW42BA	9	C
RQ5RW43BA	9	D
RQ5RW44BA	9	E
RQ5RW45BA	9	F
RQ5RW46BA	9	G
RQ5RW47BA	9	H
RQ5RW48BA	9	J
RQ5RW49BA	9	K
RQ5RW50BA	0	A
RQ5RW51BA	0	B
RQ5RW52BA	0	C
RQ5RW53BA	0	D
RQ5RW54BA	0	E
RQ5RW55BA	0	F
RQ5RW56BA	0	G
RQ5RW57BA	0	H
RQ5RW58BA	0	J
RQ5RW59BA	0	K
RQ5RW60BA	1	A
RQ5RW19BA	1	B
RQ5RW18BA	1	C
RQ5RW17BA	1	D
RQ5RW16BA	1	E
RQ5RW15BA	1	F
RQ5RW20CA	2	L
RQ5RW21CA	2	M
RQ5RW22CA	2	N
RQ5RW23CA	2	P
RQ5RW24CA	2	R
RQ5RW25CA	2	S
RQ5RW26CA	2	T
RQ5RW27CA	2	U
RQ5RW28CA	2	V
RQ5RW29CA	2	W

Part Number	Product Code	
	①	②
RQ5RW30CA	3	L
RQ5RW31CA	3	M
RQ5RW32CA	3	N
RQ5RW33CA	3	P
RQ5RW34CA	3	R
RQ5RW35CA	3	S
RQ5RW36CA	3	T
RQ5RW37CA	3	U
RQ5RW38CA	3	V
RQ5RW39CA	3	W
RQ5RW40CA	4	L
RQ5RW41CA	4	M
RQ5RW42CA	4	N
RQ5RW43CA	4	P
RQ5RW44CA	4	R
RQ5RW45CA	4	S
RQ5RW46CA	4	T
RQ5RW47CA	4	U
RQ5RW48CA	4	V
RQ5RW49CA	4	W
RQ5RW50CA	5	L
RQ5RW51CA	5	M
RQ5RW52CA	5	N
RQ5RW53CA	5	P
RQ5RW54CA	5	R
RQ5RW55CA	5	S
RQ5RW56CA	5	T
RQ5RW57CA	5	U
RQ5RW58CA	5	V
RQ5RW59CA	5	W
RQ5RW60CA	6	L
RQ5RW19CA	6	M
RQ5RW18CA	6	N
RQ5RW17CA	6	P
RQ5RW16CA	6	S

RD5RW SERIES MARK SPECIFICATION

● SON1612-6



①~④ : Product Code (refer to Part Number vs. Product Code)

⑤, ⑥ : Lot Number

● Part Number vs. Product Code

Part Number	Product Code				Part Number	Product Code				Part Number	Product Code				Part Number	Product Code			
	①	②	③	④		①	②	③	④		①	②	③	④		①	②	③	④
RD5RW15AA	E	1	5	A	RD5RW51AA	E	5	1	A	RD5RW41BA	E	4	1	B	RD5RW31CA	E	3	1	C
RD5RW16AA	E	1	6	A	RD5RW52AA	E	5	2	A	RD5RW42BA	E	4	2	B	RD5RW32CA	E	3	2	C
RD5RW17AA	E	1	7	A	RD5RW53AA	E	5	3	A	RD5RW43BA	E	4	3	B	RD5RW33CA	E	3	3	C
RD5RW18AA	E	1	8	A	RD5RW54AA	E	5	4	A	RD5RW44BA	E	4	4	B	RD5RW34CA	E	3	4	C
RD5RW19AA	E	1	9	A	RD5RW55AA	E	5	5	A	RD5RW45BA	E	4	5	B	RD5RW35CA	E	3	5	C
RD5RW20AA	E	2	0	A	RD5RW56AA	E	5	6	A	RD5RW46BA	E	4	6	B	RD5RW36CA	E	3	6	C
RD5RW21AA	E	2	1	A	RD5RW57AA	E	5	7	A	RD5RW47BA	E	4	7	B	RD5RW37CA	E	3	7	C
RD5RW22AA	E	2	2	A	RD5RW58AA	E	5	8	A	RD5RW48BA	E	4	8	B	RD5RW38CA	E	3	8	C
RD5RW23AA	E	2	3	A	RD5RW59AA	E	5	9	A	RD5RW49BA	E	4	9	B	RD5RW39CA	E	3	9	C
RD5RW24AA	E	2	4	A	RD5RW60AA	E	6	0	A	RD5RW50BA	E	5	0	B	RD5RW40CA	E	4	0	C
RD5RW25AA	E	2	5	A	RD5RW15BA	E	1	5	B	RD5RW51BA	E	5	1	B	RD5RW41CA	E	4	1	C
RD5RW26AA	E	2	6	A	RD5RW16BA	E	1	6	B	RD5RW52BA	E	5	2	B	RD5RW42CA	E	4	2	C
RD5RW27AA	E	2	7	A	RD5RW17BA	E	1	7	B	RD5RW53BA	E	5	3	B	RD5RW43CA	E	4	3	C
RD5RW28AA	E	2	8	A	RD5RW18BA	E	1	8	B	RD5RW54BA	E	5	4	B	RD5RW44CA	E	4	4	C
RD5RW29AA	E	2	9	A	RD5RW19BA	E	1	9	B	RD5RW55BA	E	5	5	B	RD5RW45CA	E	4	5	C
RD5RW30AA	E	3	0	A	RD5RW20BA	E	2	0	B	RD5RW56BA	E	5	6	B	RD5RW46CA	E	4	6	C
RD5RW31AA	E	3	1	A	RD5RW21BA	E	2	1	B	RD5RW57BA	E	5	7	B	RD5RW47CA	E	4	7	C
RD5RW32AA	E	3	2	A	RD5RW22BA	E	2	2	B	RD5RW58BA	E	5	8	B	RD5RW48CA	E	4	8	C
RD5RW33AA	E	3	3	A	RD5RW23BA	E	2	3	B	RD5RW59BA	E	5	9	B	RD5RW49CA	E	4	9	C
RD5RW34AA	E	3	4	A	RD5RW24BA	E	2	4	B	RD5RW60BA	E	6	0	B	RD5RW50CA	E	5	0	C
RD5RW35AA	E	3	5	A	RD5RW25BA	E	2	5	B	RD5RW15CA	E	1	5	C	RD5RW51CA	E	5	1	C
RD5RW36AA	E	3	6	A	RD5RW26BA	E	2	6	B	RD5RW16CA	E	1	6	C	RD5RW52CA	E	5	2	C
RD5RW37AA	E	3	7	A	RD5RW27BA	E	2	7	B	RD5RW17CA	E	1	7	C	RD5RW53CA	E	5	3	C
RD5RW38AA	E	3	8	A	RD5RW28BA	E	2	8	B	RD5RW18CA	E	1	8	C	RD5RW54CA	E	5	4	C
RD5RW39AA	E	3	9	A	RD5RW29BA	E	2	9	B	RD5RW19CA	E	1	9	C	RD5RW55CA	E	5	5	C
RD5RW40AA	E	4	0	A	RD5RW30BA	E	3	0	B	RD5RW20CA	E	2	0	C	RD5RW56CA	E	5	6	C
RD5RW41AA	E	4	1	A	RD5RW31BA	E	3	1	B	RD5RW21CA	E	2	1	C	RD5RW57CA	E	5	7	C
RD5RW42AA	E	4	2	A	RD5RW32BA	E	3	2	B	RD5RW22CA	E	2	2	C	RD5RW58CA	E	5	8	C
RD5RW43AA	E	4	3	A	RD5RW33BA	E	3	3	B	RD5RW23CA	E	2	3	C	RD5RW59CA	E	5	9	C
RD5RW44AA	E	4	4	A	RD5RW34BA	E	3	4	B	RD5RW24CA	E	2	4	C	RD5RW60CA	E	6	0	C
RD5RW45AA	E	4	5	A	RD5RW35BA	E	3	5	B	RD5RW25CA	E	2	5	C					
RD5RW46AA	E	4	6	A	RD5RW36BA	E	3	6	B	RD5RW26CA	E	2	6	C					
RD5RW47AA	E	4	7	A	RD5RW37BA	E	3	7	B	RD5RW27CA	E	2	7	C					
RD5RW48AA	E	4	8	A	RD5RW38BA	E	3	8	B	RD5RW28CA	E	2	8	C					
RD5RW49AA	E	4	9	A	RD5RW39BA	E	3	9	B	RD5RW29CA	E	2	9	C					
RD5RW50AA	E	5	0	A	RD5RW40BA	E	4	0	B	RD5RW30CA	E	3	0	C					

Данный компонент на территории Российской Федерации

Вы можете приобрести в компании MosChip.

Для оперативного оформления запроса Вам необходимо перейти по данной ссылке:

<http://moschip.ru/get-element>

Вы можете разместить у нас заказ для любого Вашего проекта, будь то серийное производство или разработка единичного прибора.

В нашем ассортименте представлены ведущие мировые производители активных и пассивных электронных компонентов.

Нашей специализацией является поставка электронной компонентной базы двойного назначения, продукции таких производителей как XILINX, Intel (ex.ALTERA), Vicor, Microchip, Texas Instruments, Analog Devices, Mini-Circuits, Amphenol, Glenair.

Сотрудничество с глобальными дистрибьюторами электронных компонентов, предоставляет возможность заказывать и получать с международных складов практически любой перечень компонентов в оптимальные для Вас сроки.

На всех этапах разработки и производства наши партнеры могут получить квалифицированную поддержку опытных инженеров.

Система менеджмента качества компании отвечает требованиям в соответствии с ГОСТ Р ИСО 9001, ГОСТ РВ 0015-002 и ЭС РД 009

Офис по работе с юридическими лицами:

105318, г.Москва, ул.Щербаковская д.3, офис 1107, 1118, ДЦ «Щербаковский»

Телефон: +7 495 668-12-70 (многоканальный)

Факс: +7 495 668-12-70 (доб.304)

E-mail: info@moschip.ru

Skype отдела продаж:

moschip.ru

moschip.ru_4

moschip.ru_6

moschip.ru_9