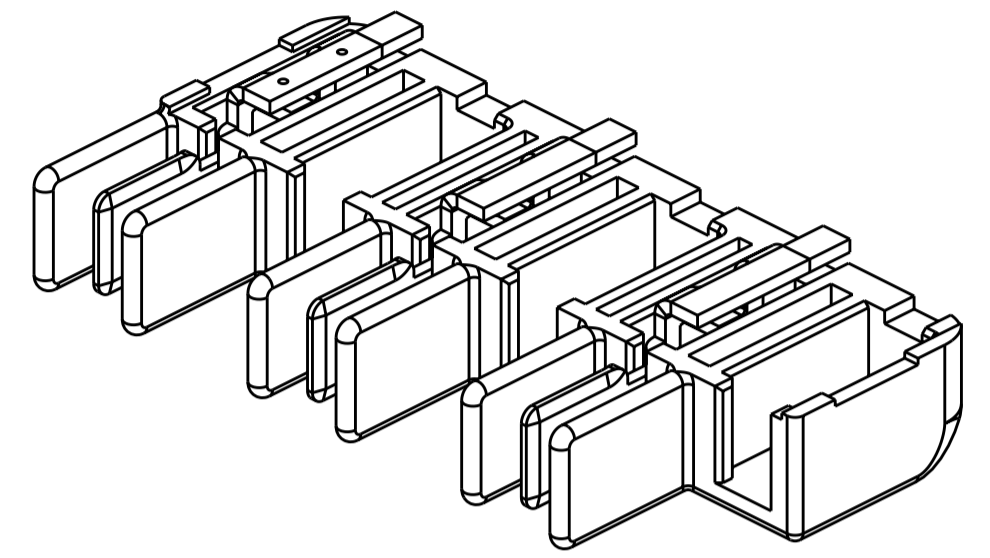
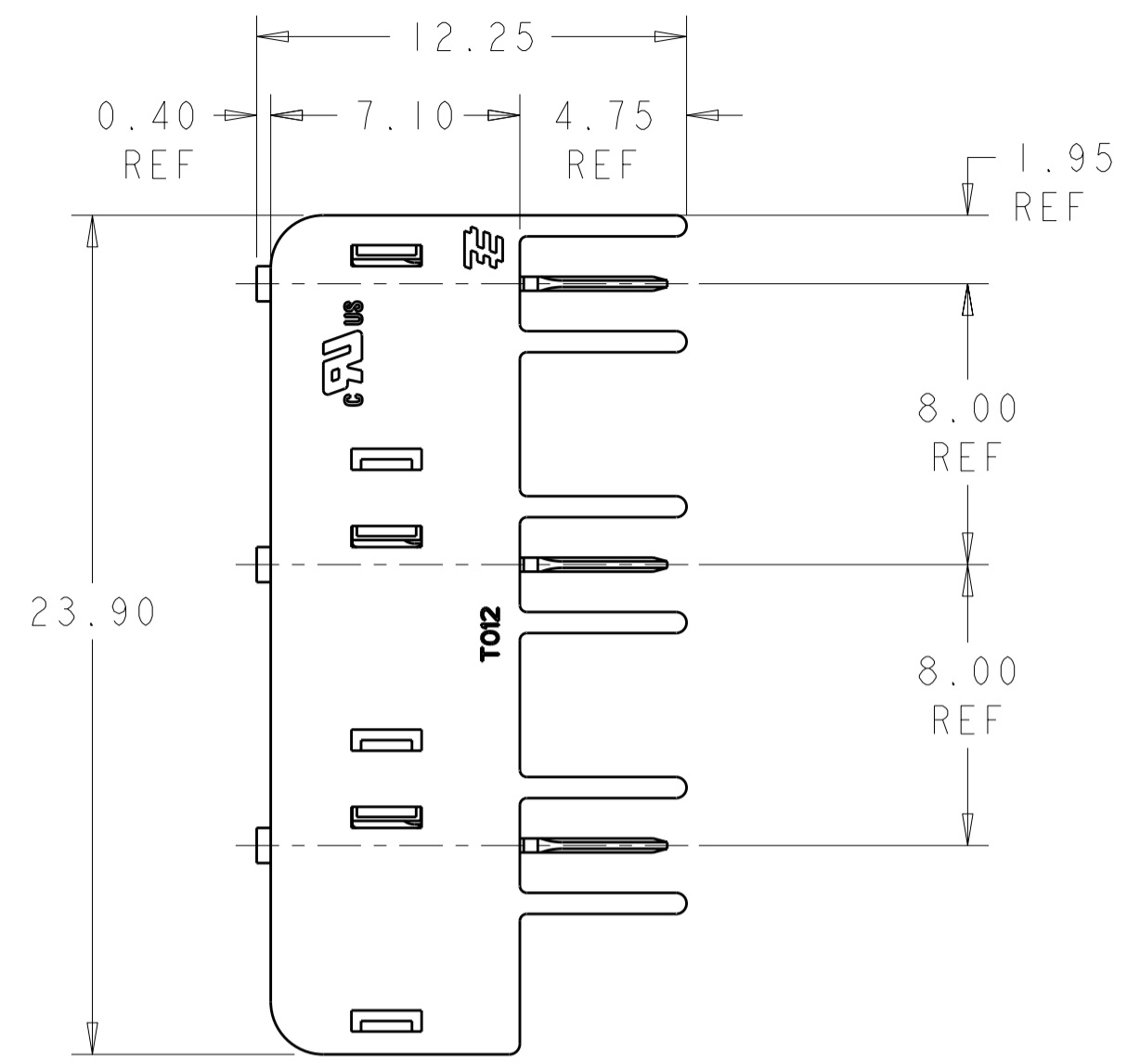


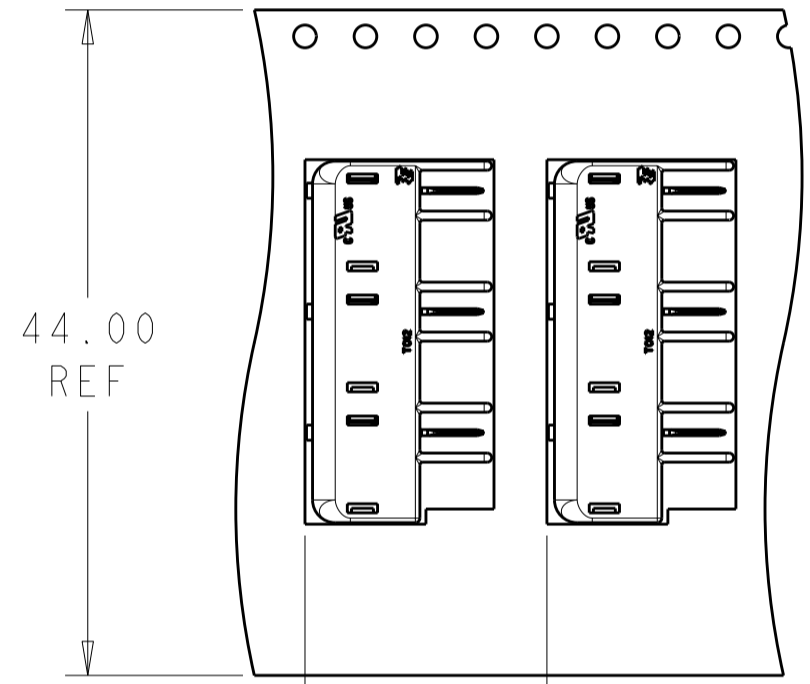
THIS DRAWING IS UNPUBLISHED. RELEASED FOR PUBLICATION 20  
 © COPYRIGHT 20 BY TYCO ELECTRONICS CORPORATION. ALL RIGHTS RESERVED.

| LOC |     | DIST                             |           | REVISIONS |      |  |  |
|-----|-----|----------------------------------|-----------|-----------|------|--|--|
| P   | LTR | DESCRIPTION                      | DATE      | DWN       | APVD |  |  |
|     | 5   | UPDATED VIEWS, 4.13 DIM WAS 4.17 | 31MAR2010 | RB        | RN   |  |  |

- NOTES:
- 1. MATERIALS AND FINISH
    - HOUSING: LCP
    - CONTACTS: COPPER ALLOY, FINISH: TIN
  - 2. PRODUCT TO COMPLY WITH DIRECTIVE 2002/95/EC (ROHS)
  - 3. PACKAGED IN TAPE AND REEL PER EIA-481 SPECIFICATIONS

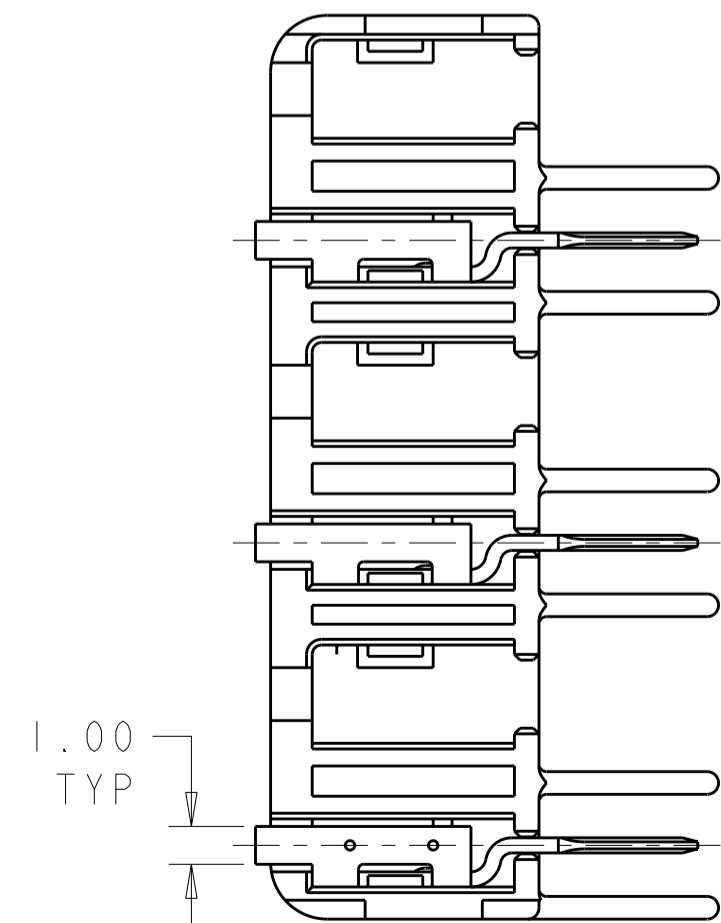
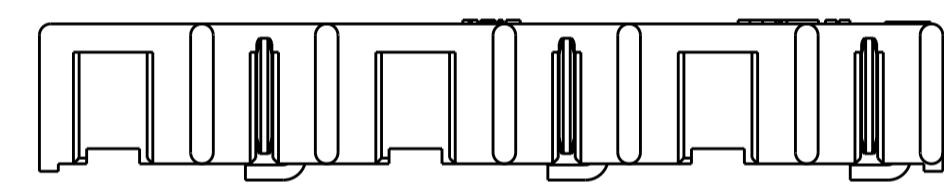
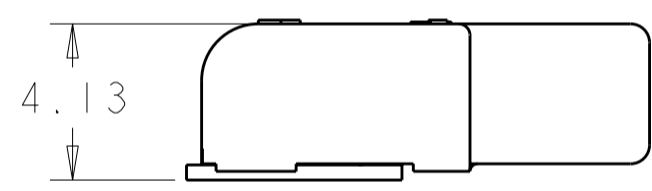


2106033-1  
SHOWN



SCALE 2:1

TO BE PACKAGED AS SHOWN



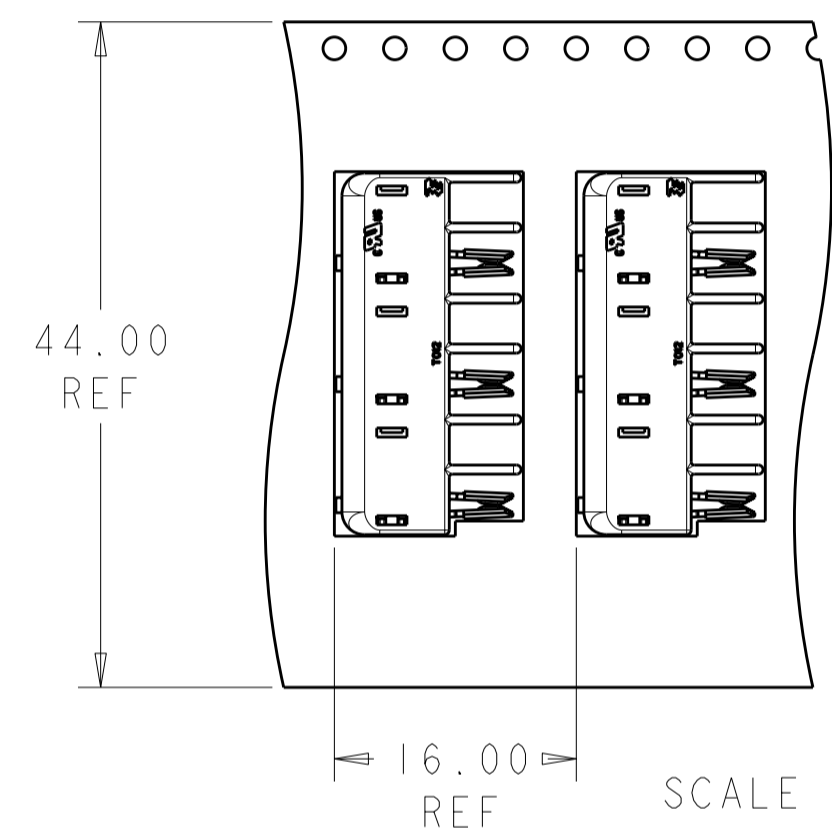
DESIGN APPROVED THIS PRINT IS  
**PRELIMINARY**  
 TO FIRST PIECE APPROVAL  
 CONTACT PRODUCT ENGINEERING  
 BEFORE USING THIS PRINT

2106033-1  
PART NO.

|   |  |  |   |
|---|--|--|---|
| <small>THIS DRAWING IS A CONTROLLED DOCUMENT FOR TYCO ELECTRONICS CORPORATION<br/>         IT IS SUBJECT TO CHANGE AND THE CONTROLLING ENGINEERING ORGANIZATION<br/>         SHOULD BE CONTACTED FOR THE LATEST REVISION.</small> |  | DWN S. FISHER 10NOV2008<br>CHK R. NARANG 01NOV2008<br>APVD R. NARANG 12NOV2008 | Tyco Electronics<br>Harrisburg, PA 17105-3608   |
| DIMENSIONS:<br>mm   | TOLERANCES UNLESS OTHERWISE SPECIFIED:<br>0 PLC ±<br>1 PLC ±.13<br>2 PLC ±.013<br>3 PLC ±.013<br>4 PLC ±<br>ANGLES ±<br>FINISH | PRODUCT SPEC 108-2342<br>APPLICATION SPEC 114-13225<br>WEIGHT -                | NAME CONNECTOR ASSEMBLY, SELECT LOADING, 6 POSITION, BLADE AND RECEPTACLE<br>SIZE A200779 CAGE CODE C-2106033<br>DRAWING NO 2106033 |
| MATERIAL  -   |  | RESTRICTED TO -<br>SCALE 5:1 SHEET 1 OF 3 REV 5<br>CUSTOMER DRAWING            |   |

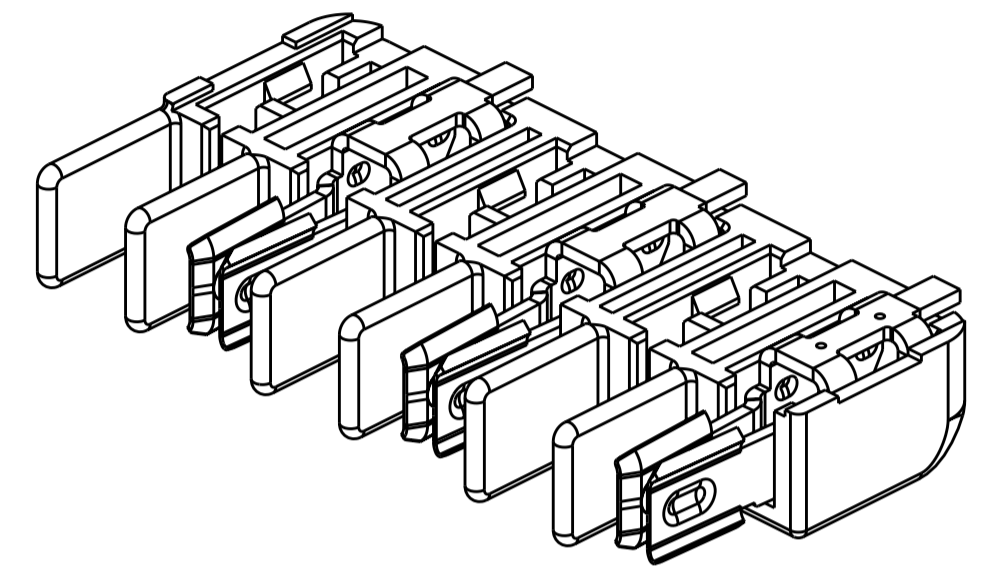
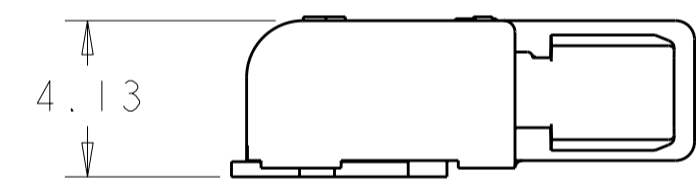
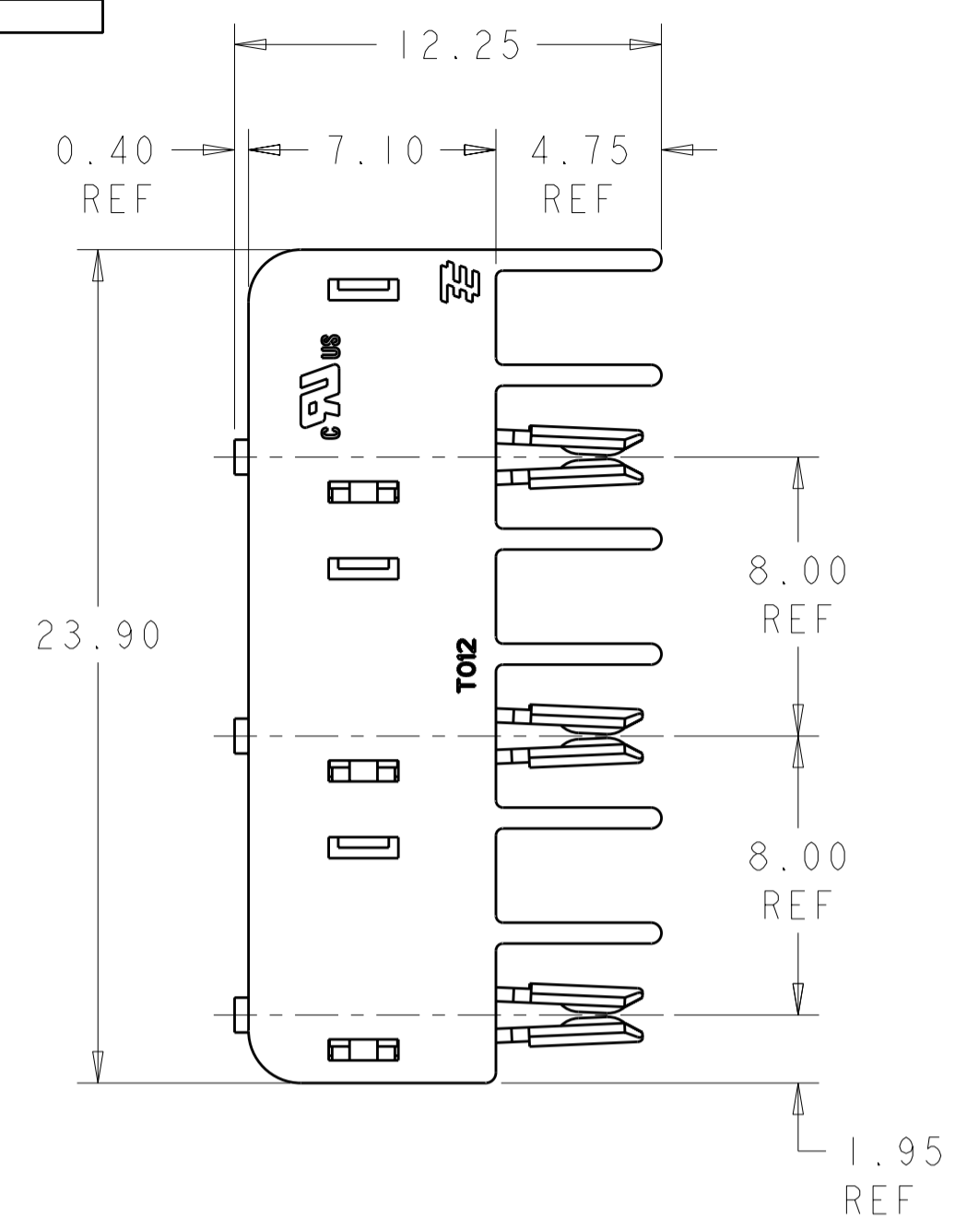
THIS DRAWING IS UNPUBLISHED. RELEASED FOR PUBLICATION 20  
 © COPYRIGHT 20 BY TYCO ELECTRONICS CORPORATION. ALL RIGHTS RESERVED.

| LOC |     | DIST        |      | REVISIONS |      |  |  |
|-----|-----|-------------|------|-----------|------|--|--|
| P   | LTR | DESCRIPTION | DATE | DWN       | APVD |  |  |
| -   | -   | SEE SHEET 1 | -    | -         | -    |  |  |

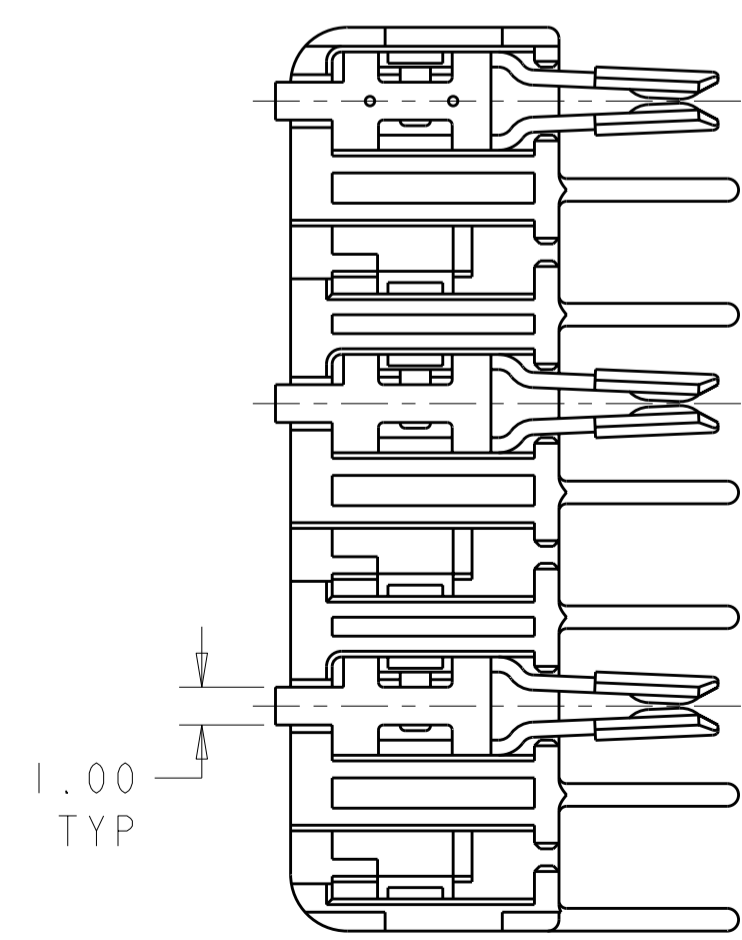
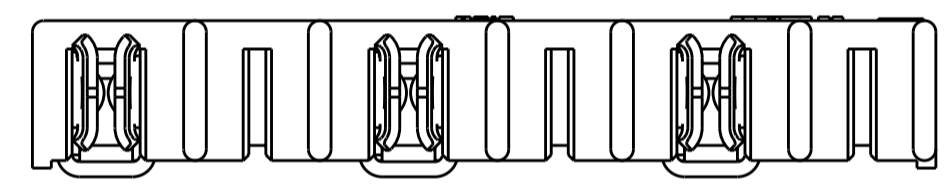


SCALE 2:1

TO BE PACKAGED AS SHOWN



2106033-2 SHOWN



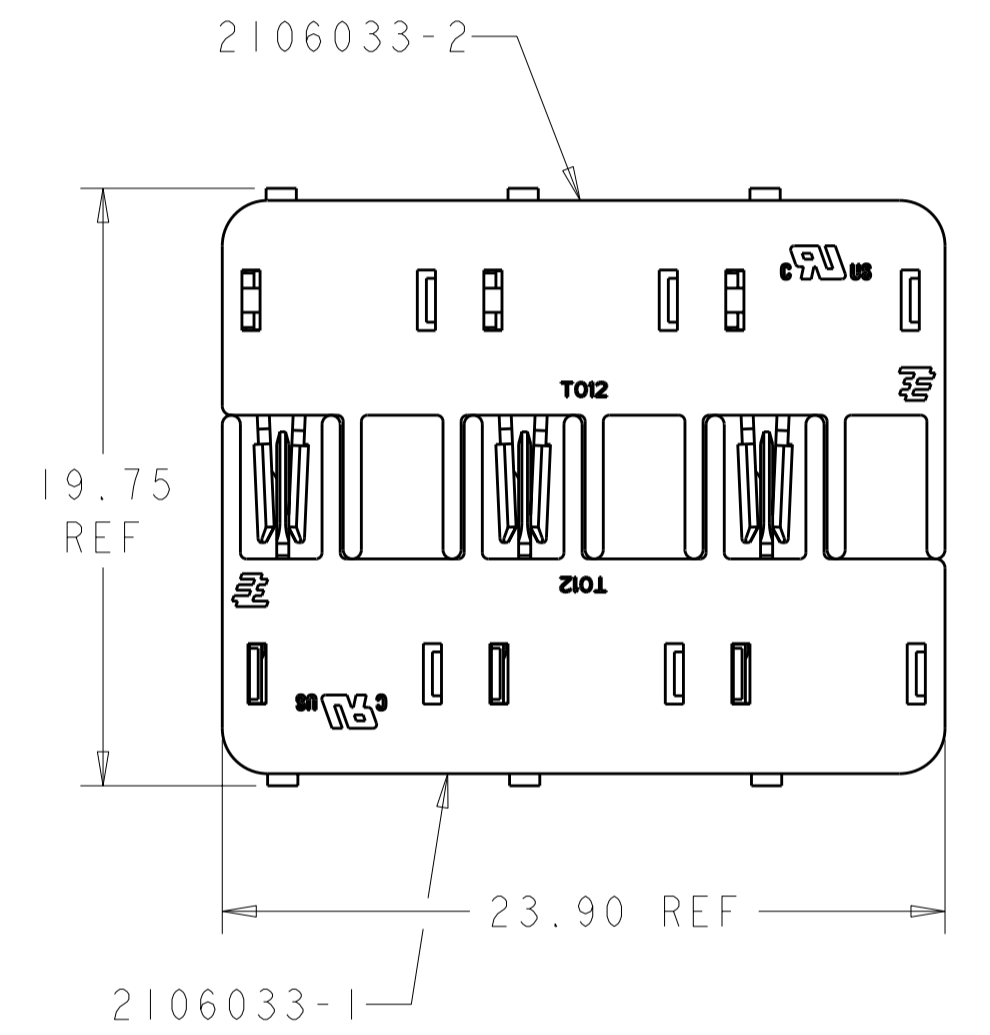
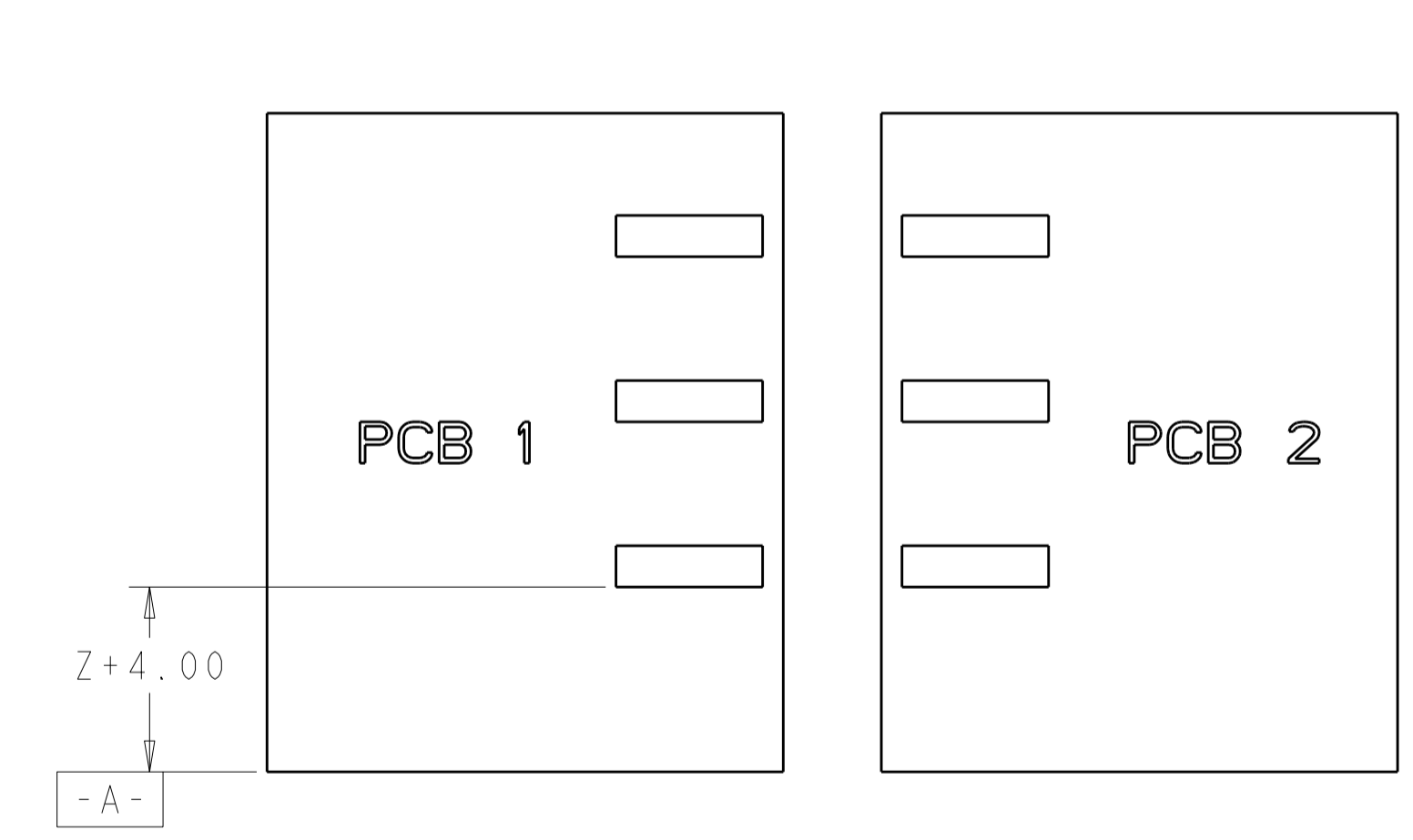
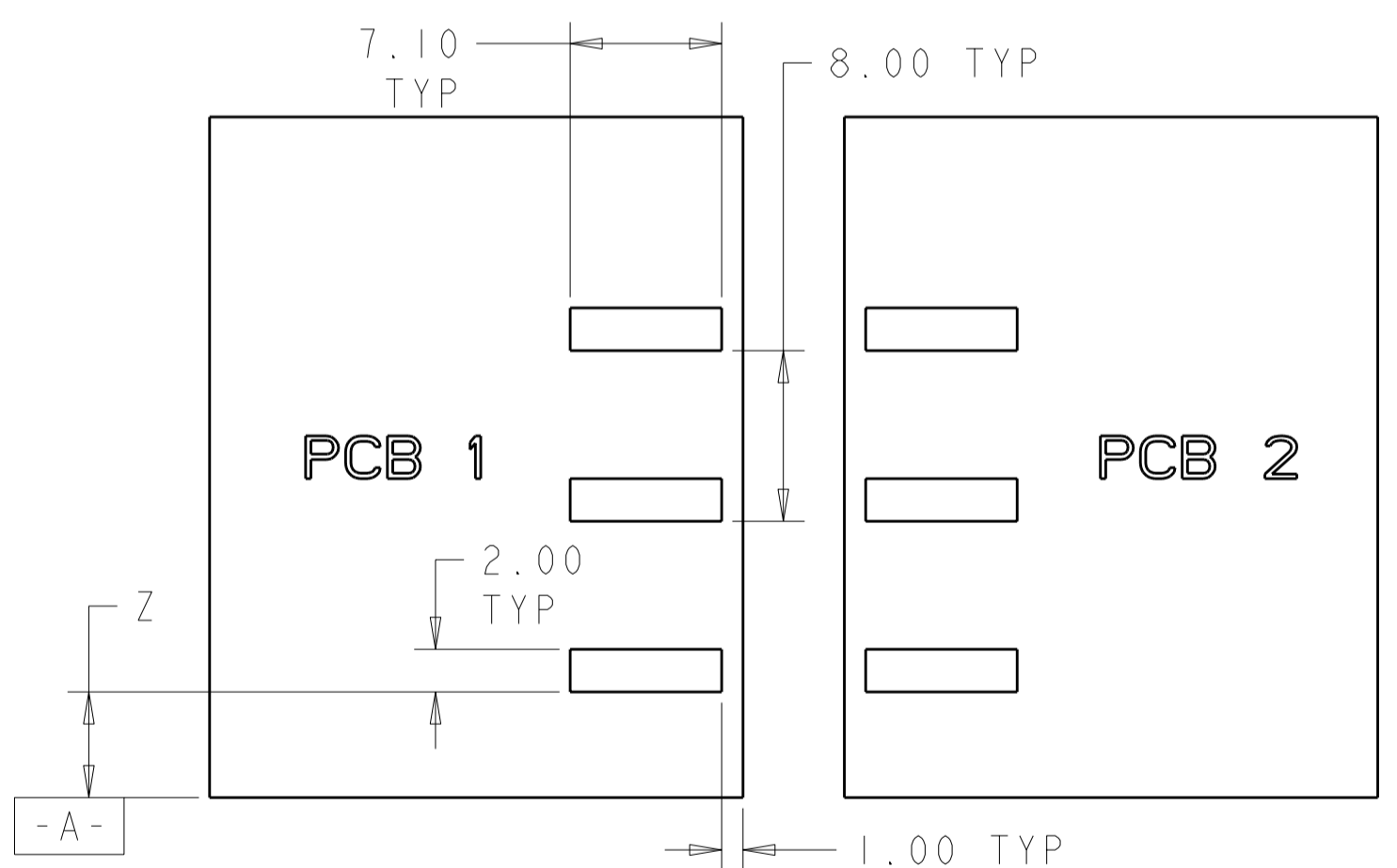
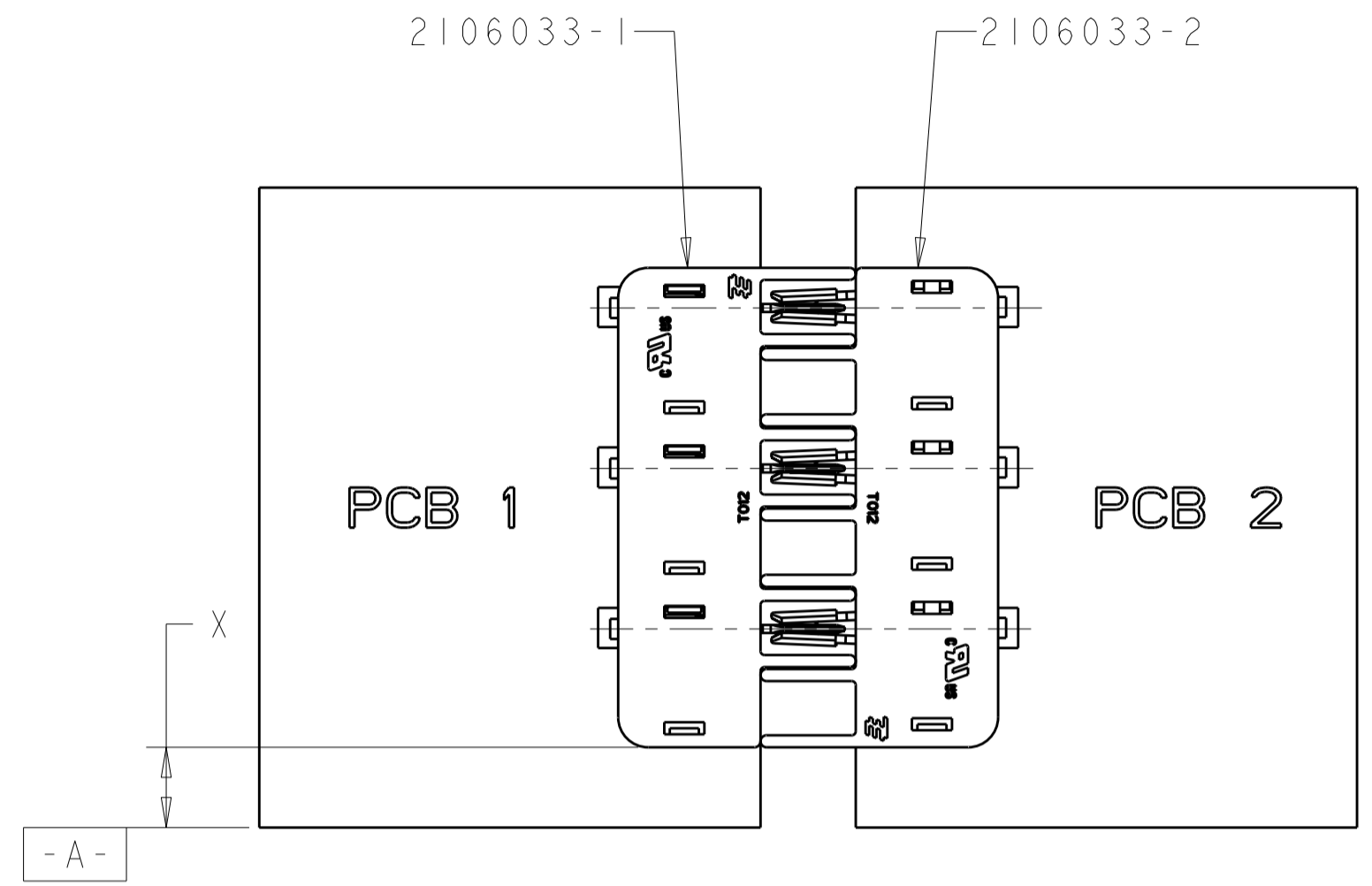
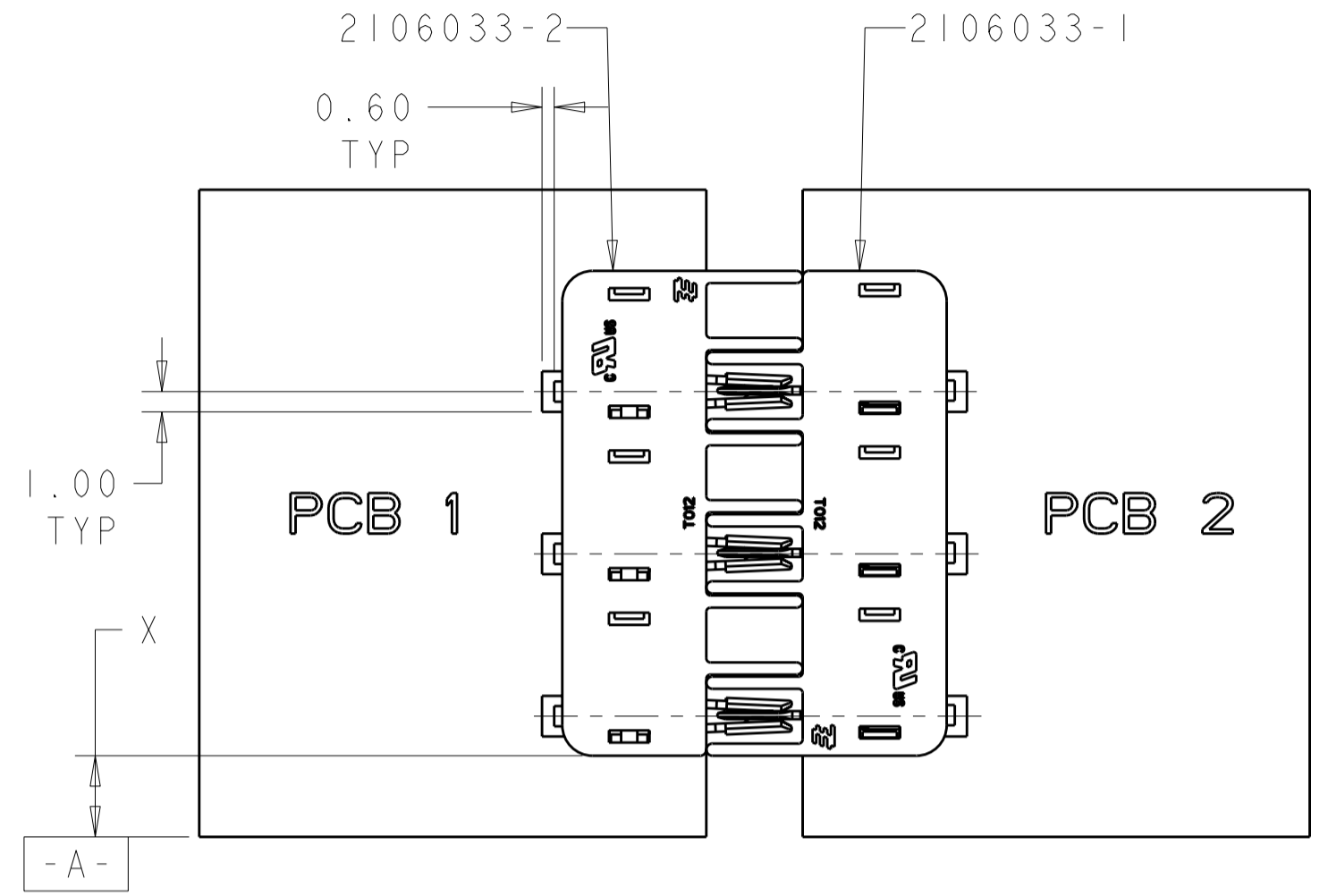
DESIGN APPROVED THIS PRINT IS  
**PRELIMINARY**  
 TO FIRST PIECE APPROVAL  
 CONTACT PRODUCT ENGINEERING  
 BEFORE USING THIS PRINT

2106033-2  
 PART NO.

|   |   |                                |   |                              |
|---|---|--------------------------------|---|------------------------------|
| THIS DRAWING IS A CONTROLLED DOCUMENT FOR TYCO ELECTRONICS CORPORATION. IT IS SUBJECT TO CHANGE AND THE CONTROLLING ENGINEERING ORGANIZATION SHOULD BE CONTACTED FOR THE LATEST REVISION. |   | DWN<br>S. FISHER<br>10NOV2008  | Tyco Electronics<br>Harrisburg, PA 17105-3608                                   |                              |
| DIMENSIONS:<br>mm   |   | CHK<br>R. NARANG<br>10NOV2008  | NAME<br>CONNECTOR ASSEMBLY, SELECT LOADING,<br>6 POSITION, BLADE AND RECEPTACLE |                              |
| TOLERANCES UNLESS OTHERWISE SPECIFIED:<br>0 PLC ±<br>1 PLC ±.13<br>2 PLC ±.13<br>3 PLC ±.013<br>4 PLC ±<br>ANGLES ±<br>FINISH   |   | APVD<br>R. NARANG<br>12NOV2008 | PRODUCT SPEC<br>108-2342<br>APPLICATION SPEC<br>114-13225                       |                              |
| MATERIAL  | - | WEIGHT                         | -   | RESTRICTED TO                |
| CUSTOMER DRAWING  |   | SIZE<br>A200779                | DRAWING NO.<br>C-2106033  | SCALE 5:1 SHEET 2 OF 3 REV 5 |

THIS DRAWING IS UNPUBLISHED. RELEASED FOR PUBLICATION 20  
 © COPYRIGHT 20 BY TYCO ELECTRONICS CORPORATION. ALL RIGHTS RESERVED.

| LOC |     | DIST        |      | REVISIONS |      |  |  |  |
|-----|-----|-------------|------|-----------|------|--|--|--|
| P   | LTR | DESCRIPTION | DATE | DWN       | APVD |  |  |  |
| -   | -   | SEE SHEET 1 | -    | -         | -    |  |  |  |
|     |     |             |      |           |      |  |  |  |
|     |     |             |      |           |      |  |  |  |



SCALE 3:1

SCALE 3:1

RECOMMENDED PCB LAYOUT

DESIGN APPROVED THIS PRINT IS  
**PRELIMINARY**  
 TO FIRST PIECE APPROVAL  
 CONTACT PRODUCT ENGINEERING  
 BEFORE USING THIS PRINT

|  |  |                                |   |                        |
|--|--|--------------------------------|---|------------------------|
| THIS DRAWING IS A CONTROLLED DOCUMENT FOR TYCO ELECTRONICS CORPORATION<br>IT IS SUBJECT TO CHANGE AND THE CONTROLLING ENGINEERING ORGANIZATION<br>SHOULD BE CONTACTED FOR THE LATEST REVISION. |  | DWN<br>S. FISHER<br>10NOV2008  | Tyco Electronics<br>Harrisburg, PA 17105-3608                                   |                        |
| DIMENSIONS:<br>mm  |  | CHK<br>R. NARANG<br>10NOV2008  | NAME<br>CONNECTOR ASSEMBLY, SELECT LOADING,<br>6 POSITION, BLADE AND RECEPTACLE |                        |
| TOLERANCES UNLESS<br>OTHERWISE SPECIFIED:  |  | APVD<br>R. NARANG<br>12NOV2008 | PRODUCT SPEC<br>108-2342  |                        |
| 0 PLC ±<br>1 PLC ±.13<br>2 PLC ±.13<br>3 PLC ±.013<br>4 PLC ±<br>ANGLES ±<br>FINISH ±  |  | APPLICATION SPEC<br>114-13225  | RESTRICTED TO<br>-  |                        |
| MATERIAL<br>-  |  | WEIGHT<br>-                    | SIZE<br>A200779   | CAGE CODE<br>C-2106033 |
|  |  | CUSTOMER DRAWING               | SCALE 5:1   | SHEET 3 OF 3 REV 5     |

## Данный компонент на территории Российской Федерации

### Вы можете приобрести в компании MosChip.

Для оперативного оформления запроса Вам необходимо перейти по данной ссылке:

<http://moschip.ru/get-element>

Вы можете разместить у нас заказ для любого Вашего проекта, будь то серийное производство или разработка единичного прибора.

В нашем ассортименте представлены ведущие мировые производители активных и пассивных электронных компонентов.

Нашей специализацией является поставка электронной компонентной базы двойного назначения, продукции таких производителей как XILINX, Intel (ex.ALTERA), Vicor, Microchip, Texas Instruments, Analog Devices, Mini-Circuits, Amphenol, Glenair.

Сотрудничество с глобальными дистрибьюторами электронных компонентов, предоставляет возможность заказывать и получать с международных складов практически любой перечень компонентов в оптимальные для Вас сроки.

На всех этапах разработки и производства наши партнеры могут получить квалифицированную поддержку опытных инженеров.

Система менеджмента качества компании отвечает требованиям в соответствии с ГОСТ Р ИСО 9001, ГОСТ РВ 0015-002 и ЭС РД 009

### Офис по работе с юридическими лицами:

105318, г.Москва, ул.Щербаковская д.3, офис 1107, 1118, ДЦ «Щербаковский»

Телефон: +7 495 668-12-70 (многоканальный)

Факс: +7 495 668-12-70 (доб.304)

E-mail: [info@moschip.ru](mailto:info@moschip.ru)

Skype отдела продаж:

moschip.ru

moschip.ru\_4

moschip.ru\_6

moschip.ru\_9