

**PLEASE CHECK WWW.MOLEX.COM FOR LATEST PART INFORMATION**

**Part Number:** **0678408001**  
**Status:** **Active**  
**Description:** 2.50mm (.098") Pitch, SDIO Memory Card Connector, Standard Mount, Stand Off 1.80mm (.709"), Footprint A, Type A Cover, Lead Free

**Documents:**

[3D Model](#) [Product Specification PS-67840-001 \(PDF\)](#)  
[Drawing \(PDF\)](#) [RoHS Certificate of Compliance \(PDF\)](#)

**General**

Product Family	Memory Card Sockets
Series	<a href="#">67840</a>
Button Type	Push-Push
Component Type	Header & Ejector (Host)
Product Name	SDIO
Type	N/A

**Physical**

Card Detection Switch	Open
Circuits (Loaded)	9
Durability (mating cycles max)	10,000
Ejector Button Side	No Ejector Button Present
Entry Angle	90° Angle (Side Entry)
Keying to Mating Part	Yes
Material - Metal	Piano wire, Stainless Steel
Material - Plating Mating	Gold
Material - Plating Termination	Gold, Tin
PCB Locator	Yes
PCB Mounting Side	Normal
PCB Retention	Yes
Packaging Type	Embossed Tape on Reel
Pitch - Mating Interface (in)	0.098 In
Pitch - Mating Interface (mm)	2.50 mm
Plating min: Mating (µin)	8
Plating min: Mating (µm)	0.2
Plating min: Termination (µin)	120, 2, 40
Plating min: Termination (µm)	0.05, 1, 3
Ports	1
Temperature Range - Operating	-40°C to +85°C
Termination Interface: Style	Surface Mount

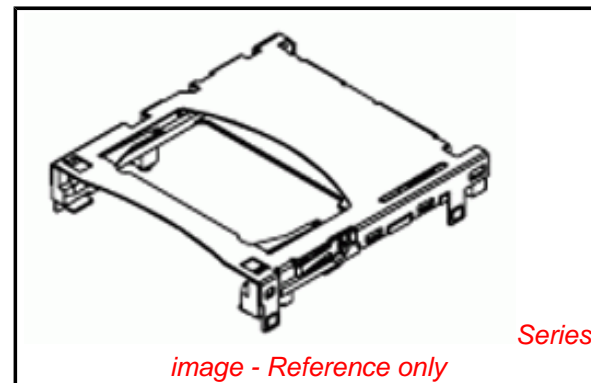
**Electrical**

Current - Maximum per Contact	0.5A
Shielded	Yes
Voltage - Maximum	100V

**Material Info**

**Reference - Drawing Numbers**

Packaging Specification	PK-67840-001
Product Specification	PS-67840-001
Sales Drawing	SD-67840-007



**EU RoHS**

**ELV and RoHS Compliant**  
**REACH SVHC**  
 Not Reviewed  
**Halogen-Free Status**  
**Halogen-Free**

**China RoHS**



**Need more information on product environmental compliance?**

Email [productcompliance@molex.com](mailto:productcompliance@molex.com)  
 For a multiple part number RoHS Certificate of Compliance, [click here](#)

Please visit the [Contact Us](#) section for any non-product compliance questions.

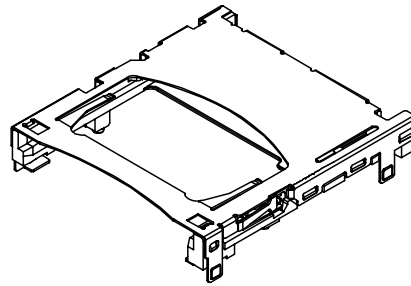
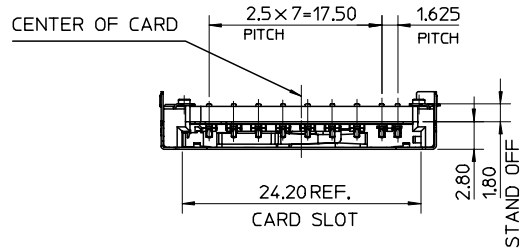
**Search Parts in this Series**

67840Series

**Use With**

SDIO

10 9 8 7 6 5 4 3 2 1

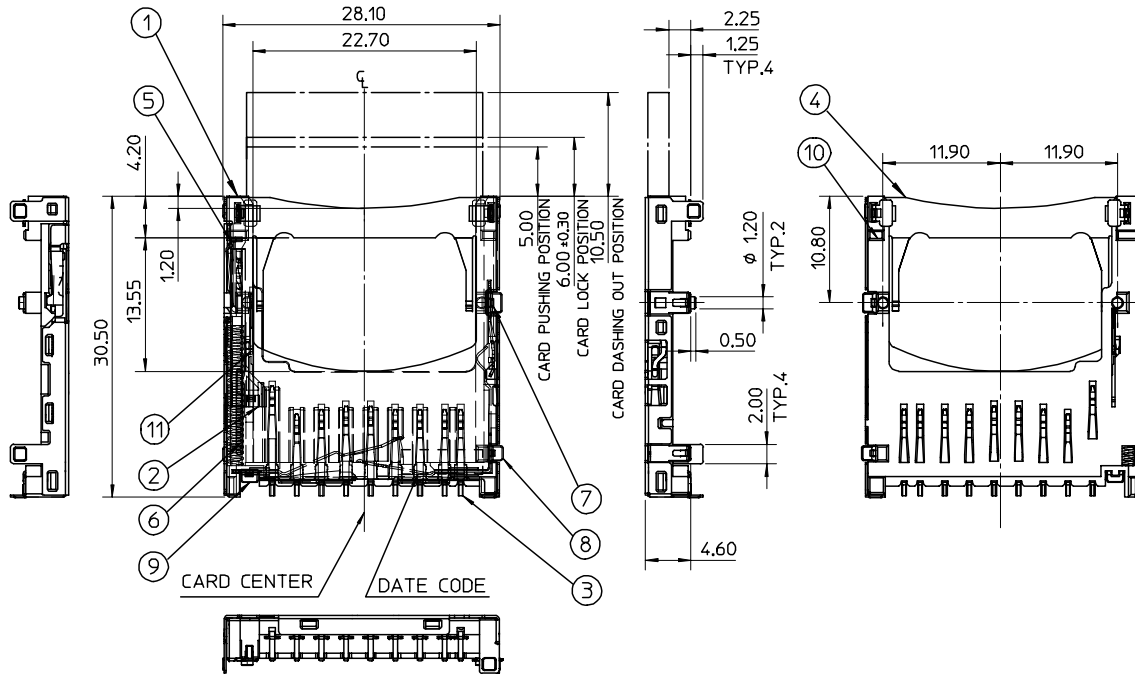


- NOTES:
- 1.TERMINAL AND NAIL COPLANARITY TO BE 0.1 MAX.
  - 2.WHEN DELIVERING, THE PUSH/PUSH MECHANISM IS IN THE STATE OF THE UNLOCK.(CARD DASHING OUT POSITION)
  - 3.CARD READ ONLY BY THE TIME THE CARD DETECTION SWITCH WORKS.
  - 4.OPENING AND CLOSE OF EACH SWITCH.

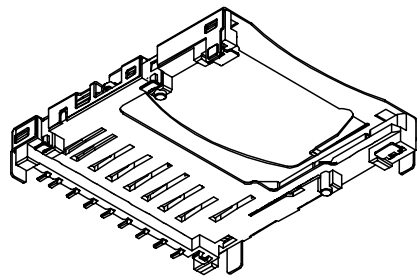
CARD INSERTION STATUS	WRITE PROTECT SWITCH		DETECT SWITCH
	WRITE PROTECT POSITION	WRITE ENABLE POSITION	
CARD UNINSERTION	OPEN	OPEN	OPEN
CARD HALF INSERTION	CLOSE	CLOSE	OPEN
CARD INSERTION	OPEN	CLOSE	CLOSE

5.MATERIAL AND FINISH AS BELOW

NO	NAME	QT'Y	MATERIAL
1	HOUSING	1	LCP,UL 94V-0,COLOR:BLACK
2	HEART CAM	1	LCP,UL 94V-0,COLOR:BLACK
3	TERMINAL	9	COPPER ALLOY,SELECTIVE Au PLATING
4	METAL SHELL	1	STAINLESS STEEL
5	PIN	1	STAINLESS STEEL
6	SPRING	1	STEEL WIRE
7	PROTECT TERMINAL	1	COPPER ALLOY, SELECTIVE Au PLATING
8	PROTECT AND DETECT TERMINAL	1	COPPER ALLOY, SELECTIVE Au PLATING
9	DETECT TERMINAL	1	COPPER ALLOY, SELECTIVE Au PLATING
10	NAIL	2	COPPER ALLOY, PURE TIN PLATING
11	CARD LOCK	1	STAINLESS STEEL

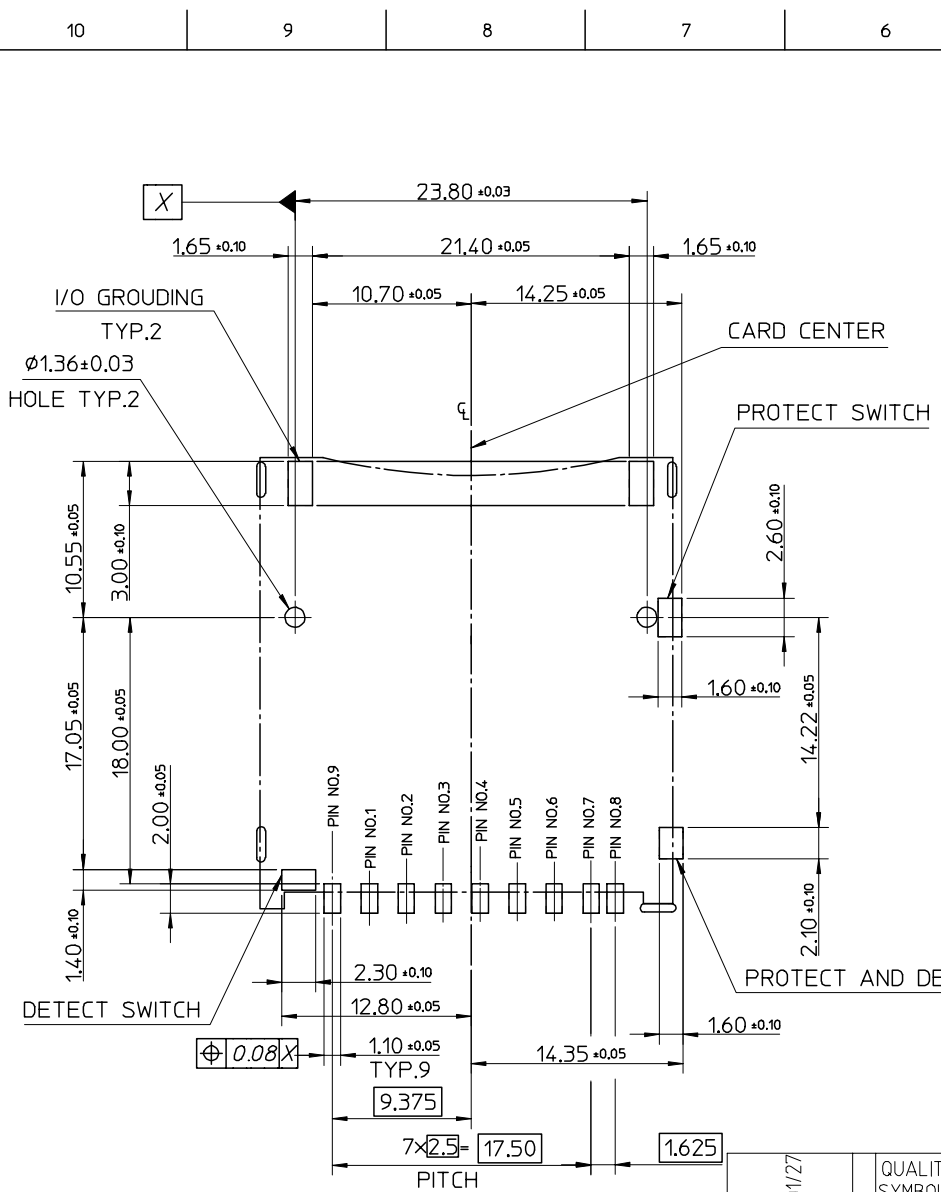


6. PRODUCT SPECIFICATION : PER PS-67840-001
7. I/O CONTACTS, BASE ON SD I/O ASSOC. REV. G.
8. THIS HAS A LOCK MECHANISM FOR SD CARD,IT DOES NOT WORK FOR THE MMC. CARD AT LOCK POSITION, IF PULLED OUT MANUALLY. THE NEXT CARD INSERTED WILL BE EJECTED.
9. RECOMMENED P.CBOARD THICKNESS: 0.8±0.1
10. PACKAGING REFERS TO PK-67840-001

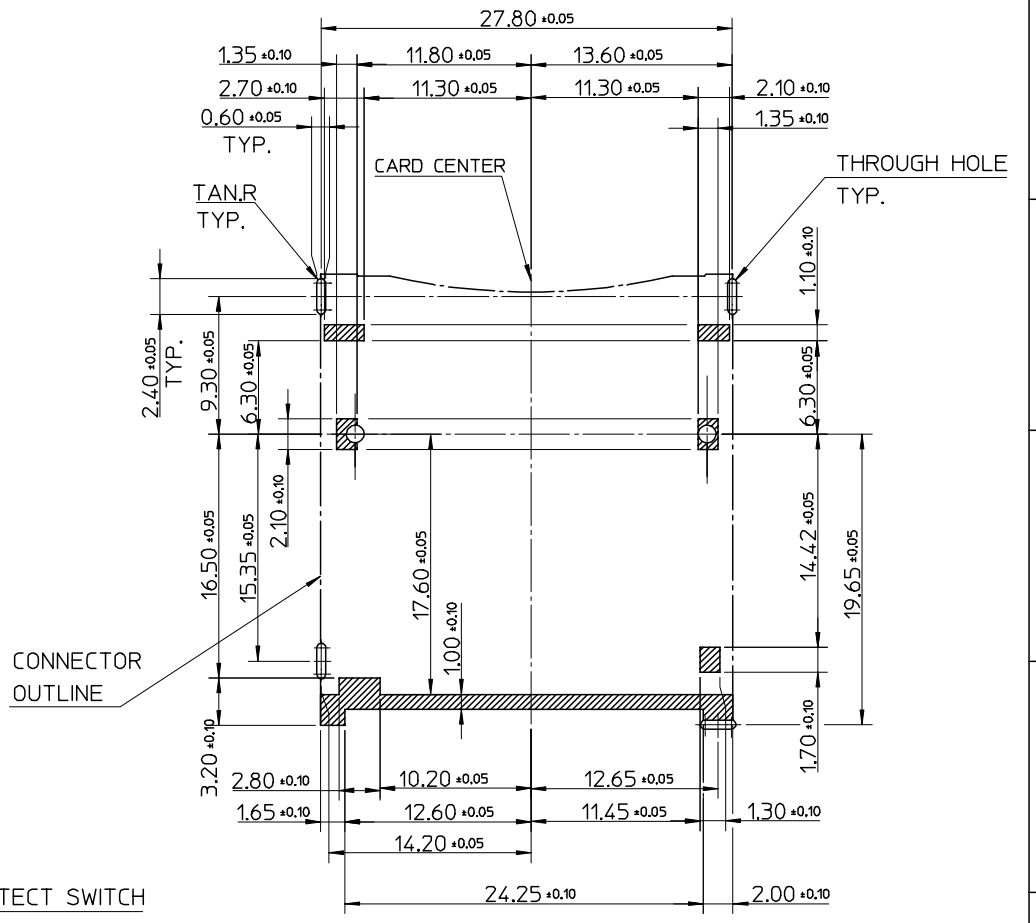


NEW RELEASE EC NO: DRAWN:QLZHANG 2005/01/27 CHKD:HARVEY APPR:	QUALITY SYMBOLS	GENERAL TOLERANCES (UNLESS SPECIFIED)	SCALE 2:1	DESIGN UNITS METRIC	THIRD ANGLE PROJECTION	REVISE ON CAD ONLY
	▼ - 0	4 PLACES ± --- ± ---	mm INCH	DIMENSION STYLE MM ONLY	TITLE	
	▽ - 0	3 PLACES ± --- ± ---		DRAWN BY DATE	SD MEMORY CARD CONN. ASS'Y(TOP MOUNT TYPE 1.8 MM STAND OFF, LEAD-FREE)	
	∇ - 0	2 PLACES ± 0.25 ± ---		QLZHANG 2004/12/06	CHECKED BY DATE	MOLEX INCORPORATED
		1 PLACE ± 0.25 ± ---		APPROVED BY DATE	MATERIAL NO. 67840-8001	DOCUMENT NO. SD-67840-007
		ANGULAR ± 3 °				SHEET NO. 1 OF 3
		DRAFT WHERE APPLICABLE				
		MUST REMAIN WITHIN DIMENSIONS				

9 8 7 6 5 4 3 2 1



RECOMMENDED PCB PATTERN LAYOUT



STAND OFF AREA FOR PATTERN PROHIBITION

NEW RELEASE  
 EC NO:  
 DRAWN: QLZHANG 2005/01/27  
 CHKD: HARVEY  
 APPR:

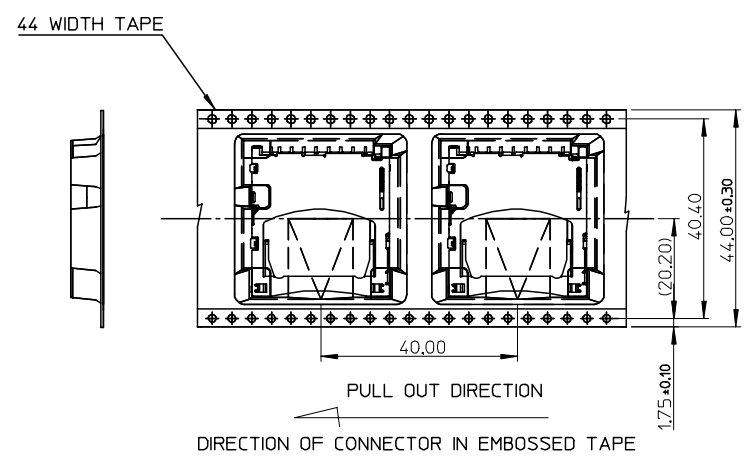
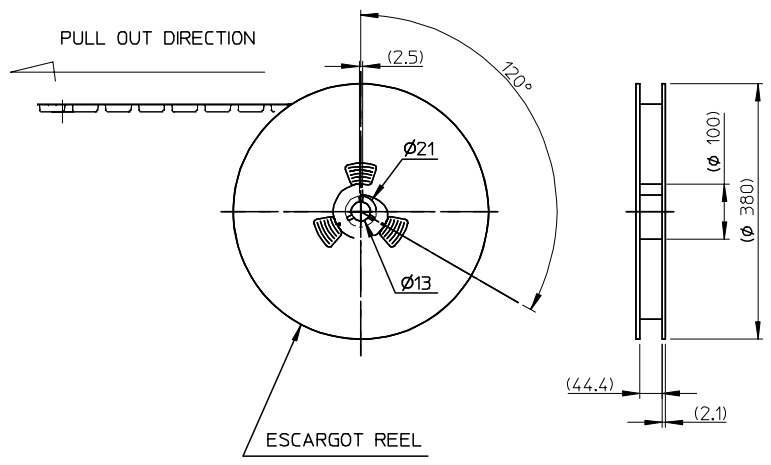
REV	DESCRIPTION
A	

QUALITY SYMBOLS	
	0.05
	0.1
	0.25
	0.5

GENERAL TOLERANCES (UNLESS SPECIFIED)	
mm	INCH
4 PLACES	± ---
3 PLACES	± ---
2 PLACES	± 0.25
1 PLACE	± 0.25
ANGULAR ± 3°	
DRAFT WHERE APPLICABLE	
MUST REMAIN WITHIN DIMENSIONS	

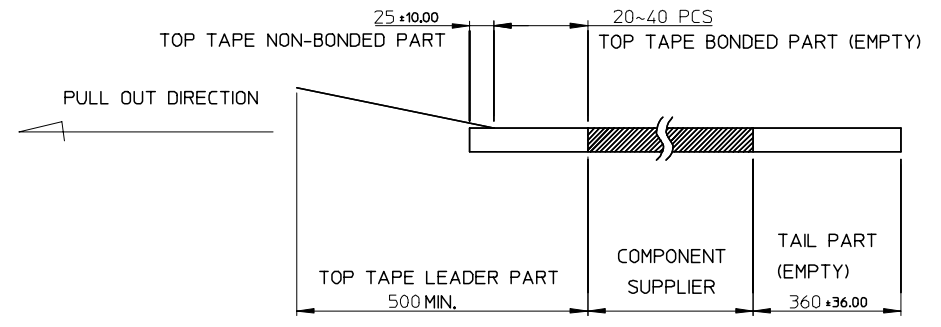
SCALE	DESIGN UNITS
3:1	METRIC
DIMENSION STYLE	
MM ONLY	
TITLE	
SD MEMORY CARD CONN. ASS'Y(TOP MOUNT TYPE 1.8 MM STAND OFF, LEAD-FREE)	
DRAWN BY	
QLZHANG	DATE
CHECKED BY	
	DATE
APPROVED BY	
	DATE

THIRD ANGLE PROJECTION		REVISE ON CAD ONLY	
MATERIAL NO.		DOCUMENT NO.	SHEET NO.
67840-8001	SD-67840-007		2 OF 3
MOLEX INCORPORATED		A3	

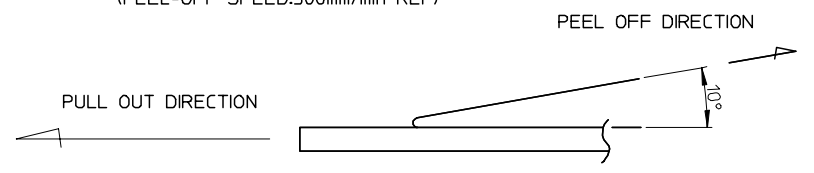


**NOTES:**

1. NUMBER OF CONNECTORS: 250 PCS/REEL
- 2.



3. PEEL-OFF FORCE OF TOP TAPE: 0.1~1.3N (10.2~130gf)  
(PEELING DIRECTION AS SHOWN IN FOLLOWING FIGURE.)  
(PEEL-OFF SPEED:300mm/min REF)



NEW RELEASE	EC NO: DRAWN:QLZHANG 2005/01/27 CHKD:HARVEY APPR:	QUALITY SYMBOLS	GENERAL TOLERANCES (UNLESS SPECIFIED)		SCALE 1:1	DESIGN UNITS METRIC	THIRD ANGLE PROJECTION	REVISE ON CAD ONLY
		DESCRIPTION	mm	INCH	DIMENSION STYLE MM ONLY		TITLE	
		REV	4 PLACES ±---	±---	DRAWN BY DATE		SD MEMORY CARD CONN. ASS'Y(TOP MOUNT TYPE 1.8 MM STAND OFF, LEAD-FREE)	
			3 PLACES ±---	±---	QLZHANG 2004/12/06		MOLEX INCORPORATED	
	2 PLACES ±0.25	±---	CHECKED BY DATE		MATERIAL NO. DOCUMENT NO. SHEET NO.		3 OF 3	
	1 PLACE ±0.25	±---	APPROVED BY DATE		67840-8001 SD-67840-007			
		ANGULAR ± 3 °	DRAFT WHERE APPLICABLE		THIS DRAWING CONTAINS INFORMATION THAT IS PROPRIETARY TO MOLEX INCORPORATED AND SHOULD NOT BE USED WITHOUT WRITTEN PERMISSION			
			MUST REMAIN WITHIN DIMENSIONS		A3			

## Данный компонент на территории Российской Федерации

### Вы можете приобрести в компании MosChip.

Для оперативного оформления запроса Вам необходимо перейти по данной ссылке:

<http://moschip.ru/get-element>

Вы можете разместить у нас заказ для любого Вашего проекта, будь то серийное производство или разработка единичного прибора.

В нашем ассортименте представлены ведущие мировые производители активных и пассивных электронных компонентов.

Нашей специализацией является поставка электронной компонентной базы двойного назначения, продукции таких производителей как XILINX, Intel (ex.ALTERA), Vicor, Microchip, Texas Instruments, Analog Devices, Mini-Circuits, Amphenol, Glenair.

Сотрудничество с глобальными дистрибьюторами электронных компонентов, предоставляет возможность заказывать и получать с международных складов практически любой перечень компонентов в оптимальные для Вас сроки.

На всех этапах разработки и производства наши партнеры могут получить квалифицированную поддержку опытных инженеров.

Система менеджмента качества компании отвечает требованиям в соответствии с ГОСТ Р ИСО 9001, ГОСТ РВ 0015-002 и ЭС РД 009

### Офис по работе с юридическими лицами:

105318, г.Москва, ул.Щербаковская д.3, офис 1107, 1118, ДЦ «Щербаковский»

Телефон: +7 495 668-12-70 (многоканальный)

Факс: +7 495 668-12-70 (доб.304)

E-mail: [info@moschip.ru](mailto:info@moschip.ru)

Skype отдела продаж:

moschip.ru

moschip.ru\_4

moschip.ru\_6

moschip.ru\_9